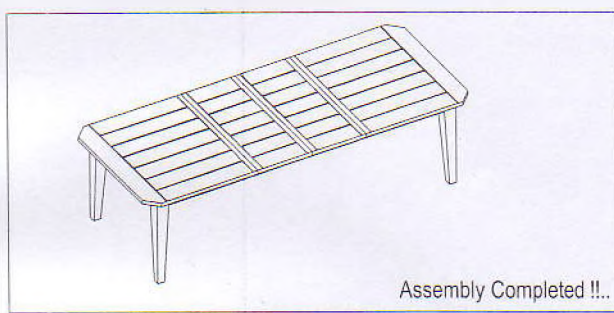


# ASSEMBLY INSTRUCTION

## DESCRIPTION : RECT DINING TABLE

Thank You for purchasing this quality product. Be sure to check all packing material carefully for small parts which may have some loose inside the carton during shipment. Identify and count all parts and compare with the parts List Below.



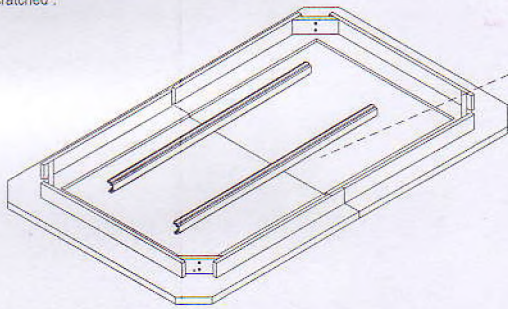
List of Part For 1 Set

01		Table Top	1
02		Center Leaf	2
03		Table Leg	4

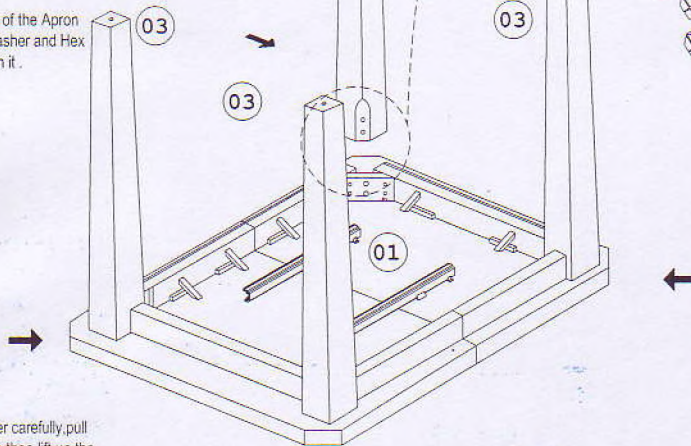
List of hardware For 1 Set

a		Flat Washer 5/16" x 22mm	8
b		Spring Washer 5/16"	8
c		Hex. Com Bolt 5/16" x 2 1/2"	8
d		Spanner 12.8mm	1

1 Turn the under side of the Table Top over and place it on a clean and smooth surface such as rug or carpet to avoid the Table Top from being scratched.



2 Fix the turned Leg to the corner of the Apron with the Flat Washer, Spring Washer and Hex Nut using the Spanner to tighten it.



4 Push the side Center Top at bolt end close to the Table Leaf until it leaves no empty spaces.

3 Turn the assembled Table over carefully, pull the Table Top to bolt two sides then lift up the Center Leaf from the compartment and turn the Center Leaf to open to lie on apron.

