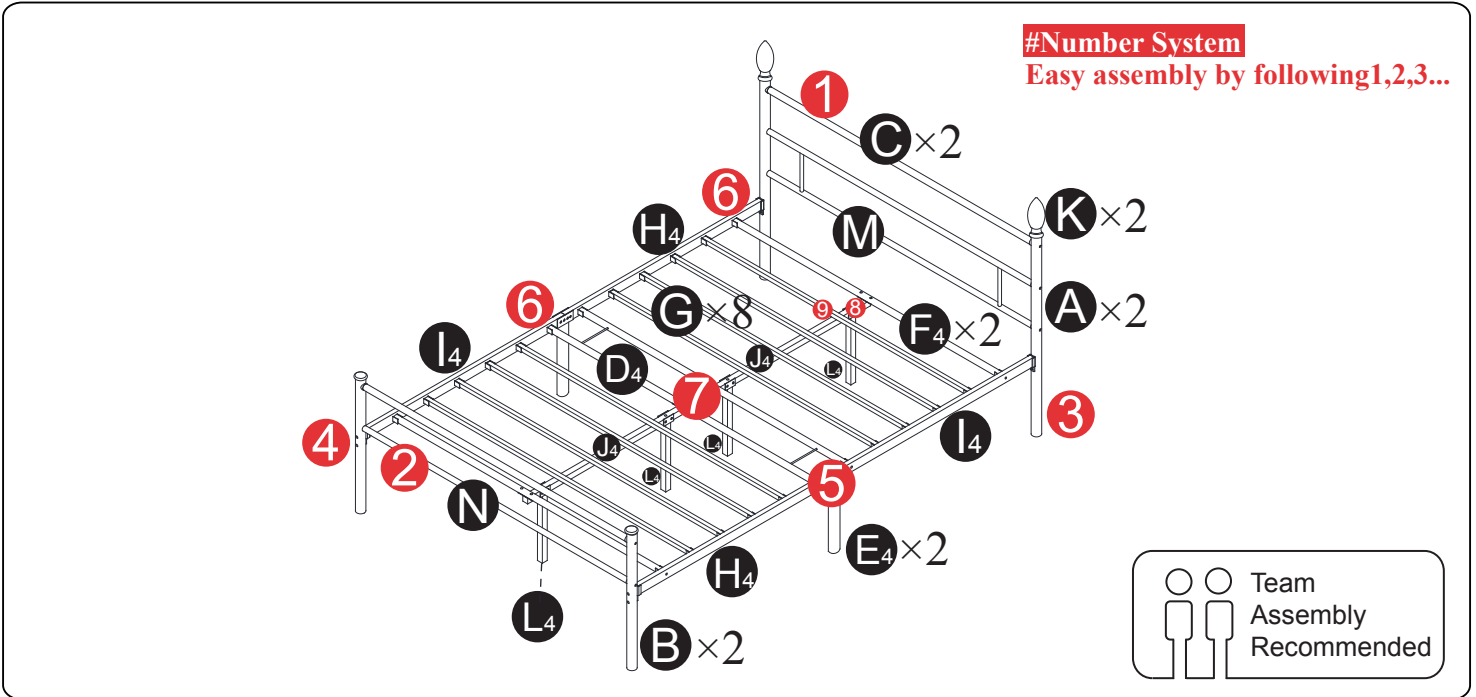


Bed Frame Installation Manual



Componets		Screws & Tools		
	A x2	①	M8x50mm	x8
	B x2	②	M8x35mm	x8
	C x2	③	M6x60mm	x10
	D x1	④	M6x40mm	x20
	E x2	⑤	M6x30mm	x12
	F x2	⑥	M6x15mm	x4
	G x8	⑦		x18
	H x2	⑧	M8	x12
	I x2	⑨	M6	x16
	J x2	⑩	M5	x1
	K x2	⑪	M13/M10	x1
	L x4	⑫		x4
	M x1			
	N x1			

Check all the components & screws before assembly. Do not install in case part is missing, contact us to get.

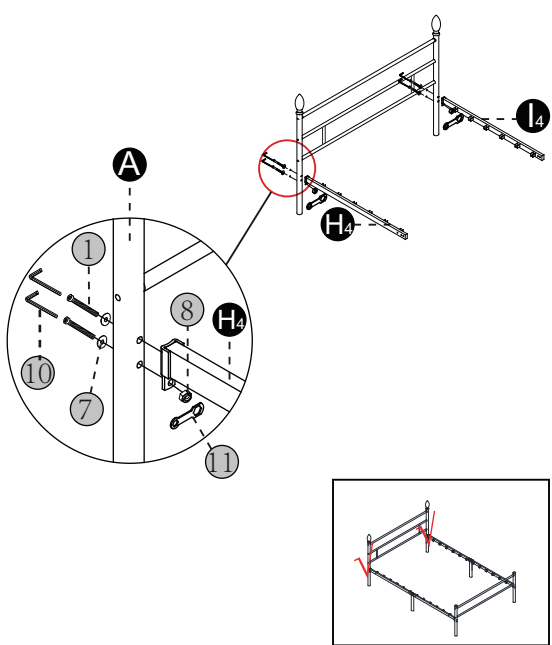
1 Headboard assembly

Note: In this step, do not tighten screw ③

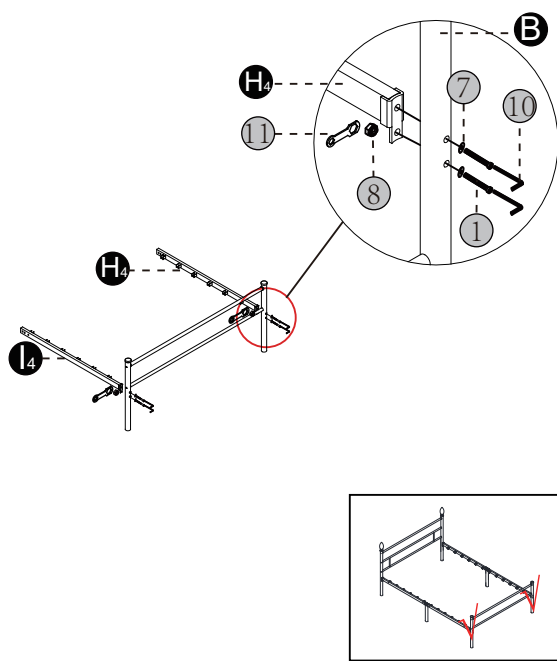
2 Footboard assembly

Note: In this step, do not tighten screw ③

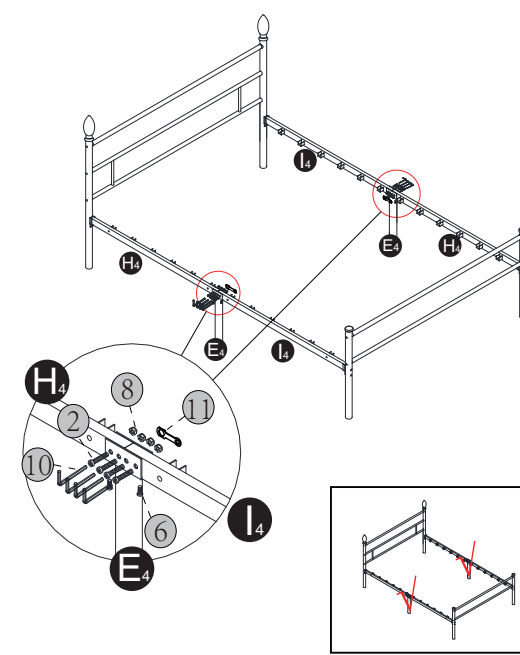
3 Connect **H₄** & **L₄** to headboard



4 Connect **H₄** & **L₄** to footboard

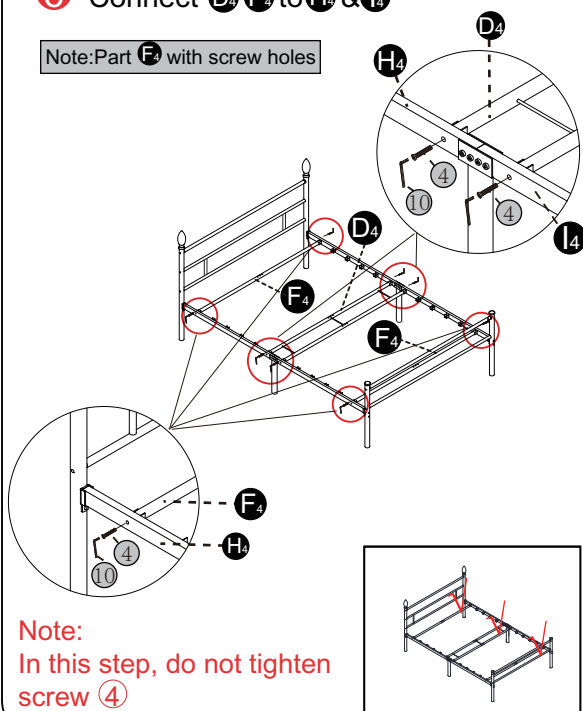


5 Connect **E₄** to **H₄** & **L₄**



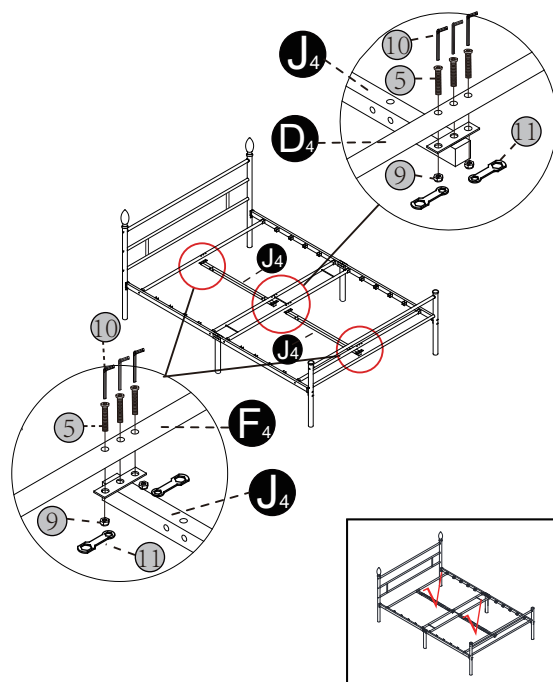
6 Connect **D₄** & **F₄** to **H₄** & **L₄**

Note: Part **E₄** with screw holes

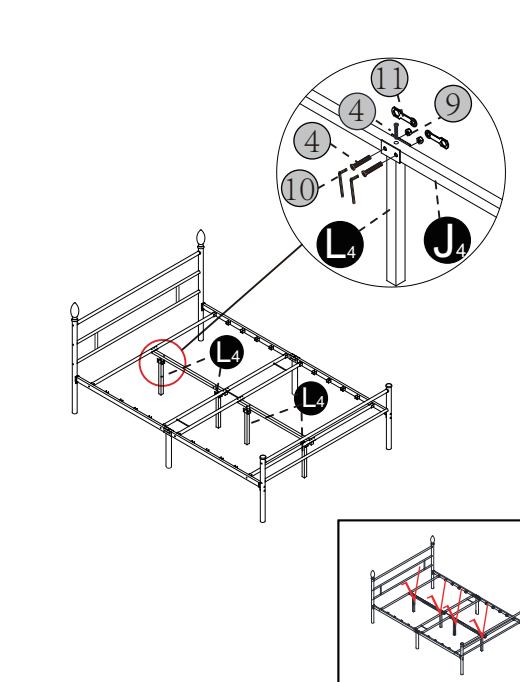


Note:
In this step, do not tighten
screw **4**

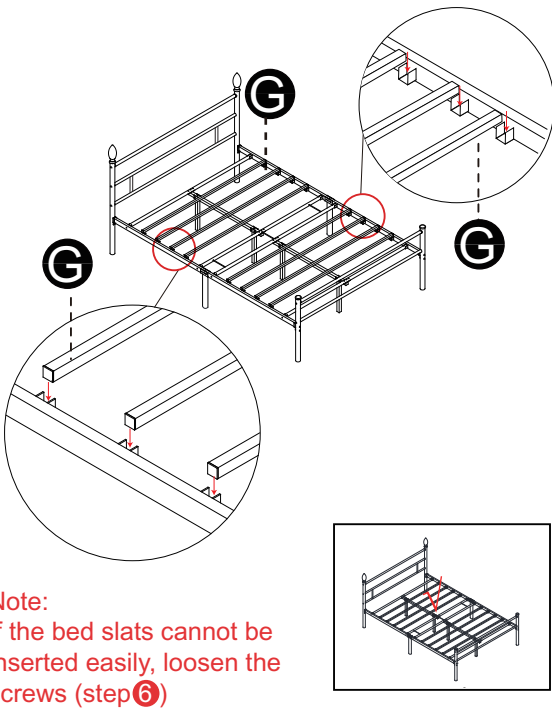
7 Connect **J₄** to **D₄** & **F₄**



8 Connect **L₄** to **J₄**

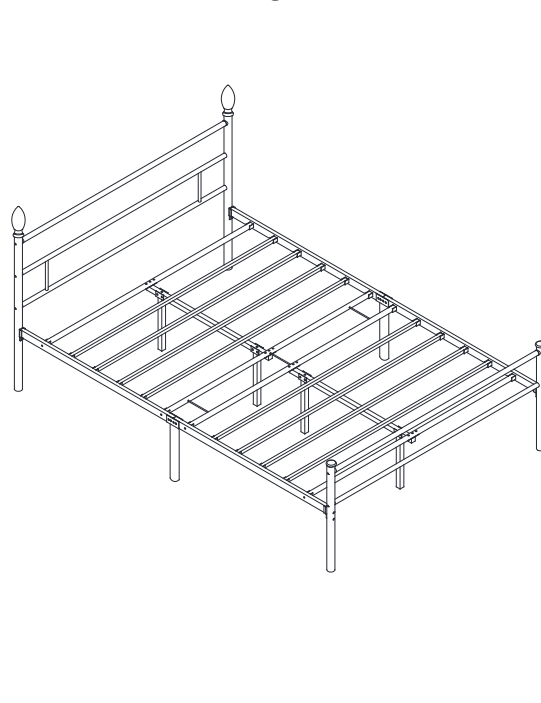


9 Assemble bed slats



Note:
If the bed slats cannot be
inserted easily, loosen the
screws (step **6**)

10 Check and tighten all screws



CAUTIONS!

