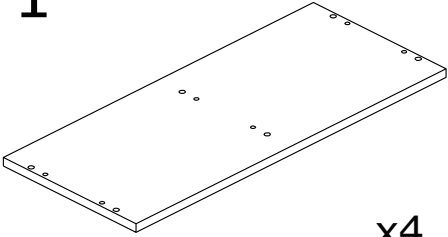
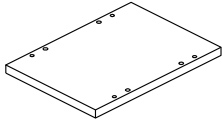
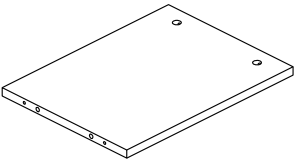
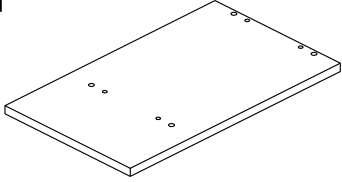
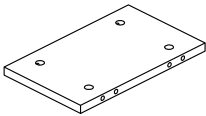
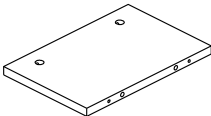
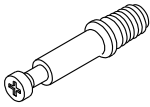
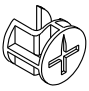

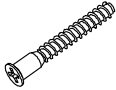

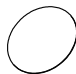


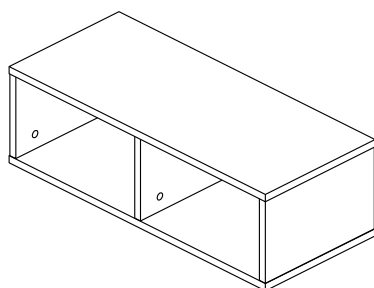
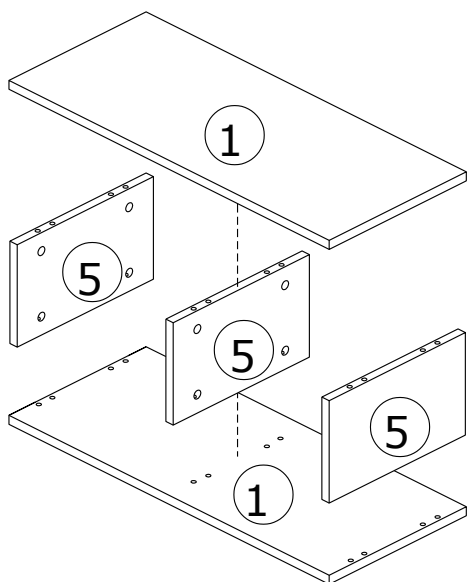
USER'S MANUAL

TV Stand

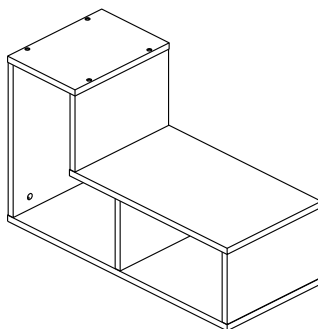
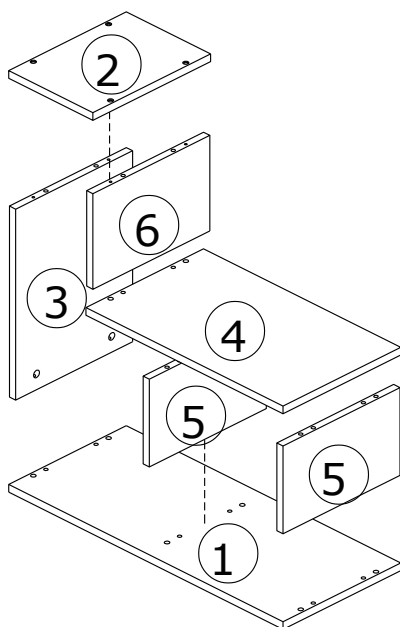
THIS INSTRUCTION BOOKLET CONTAINS **IMPORTANT** SAFETY INFORMATION. PLEASE READ AND KEEP FOR FUTURE REFERENCE.

<p>1</p>  <p>x4</p>	<p>2</p>  <p>x2</p>
<p>3</p>  <p>x2</p>	<p>4</p>  <p>x2</p>
<p>5</p>  <p>x7</p>	<p>6</p>  <p>x2</p>

<p>A</p>  <p>x36</p>	<p>B</p>  <p>x36</p>	<p>C 8*40mm</p>  <p>x44</p>
<p>L M7*38mm</p>  <p>x8</p>	<p>X</p>  <p>x5</p>	<p>Z Optional accessory</p>  <p>x44</p>

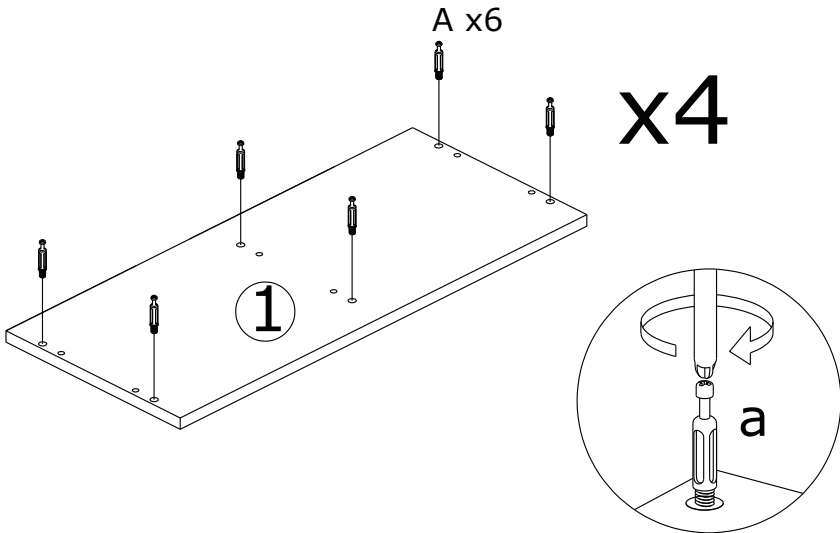
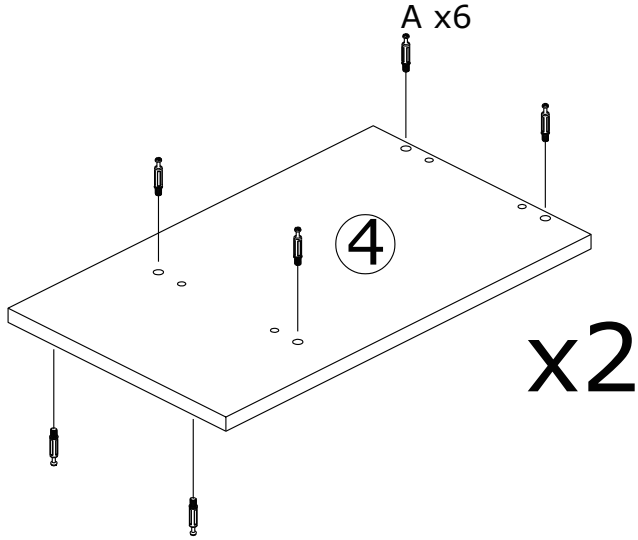
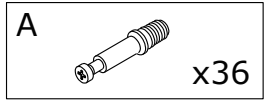


x1





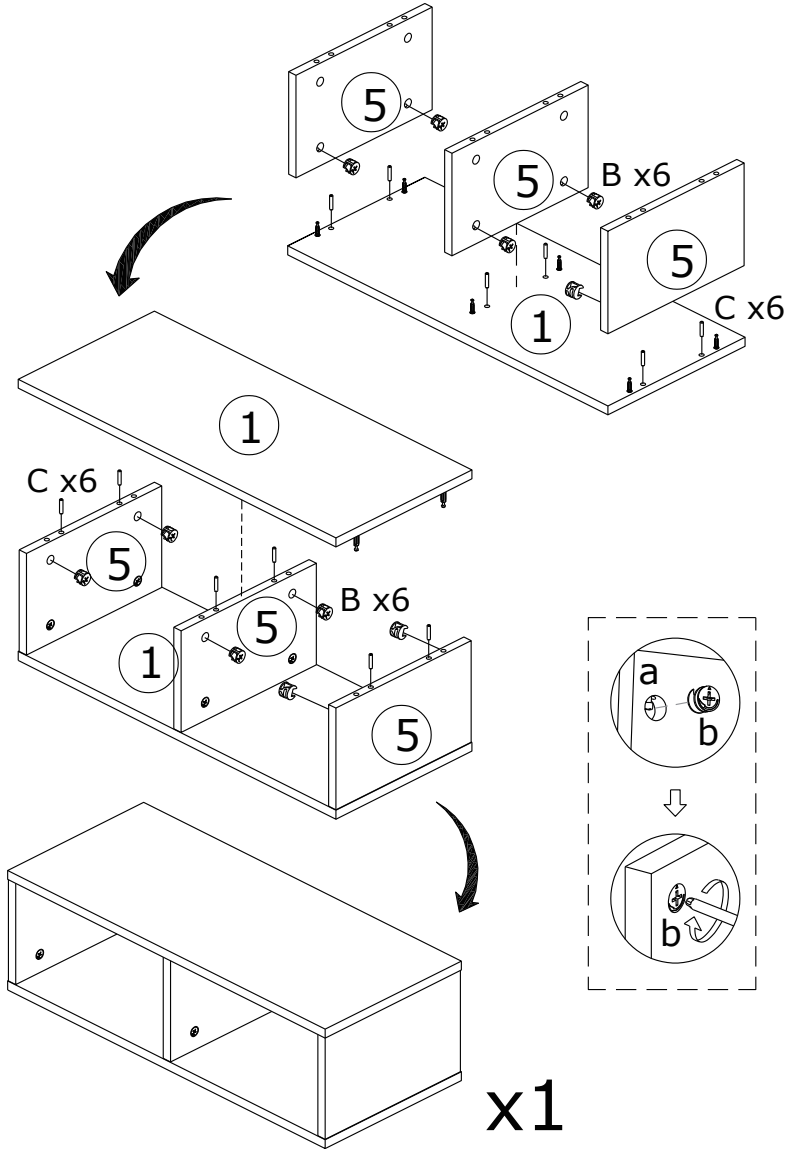
x2

1

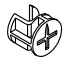




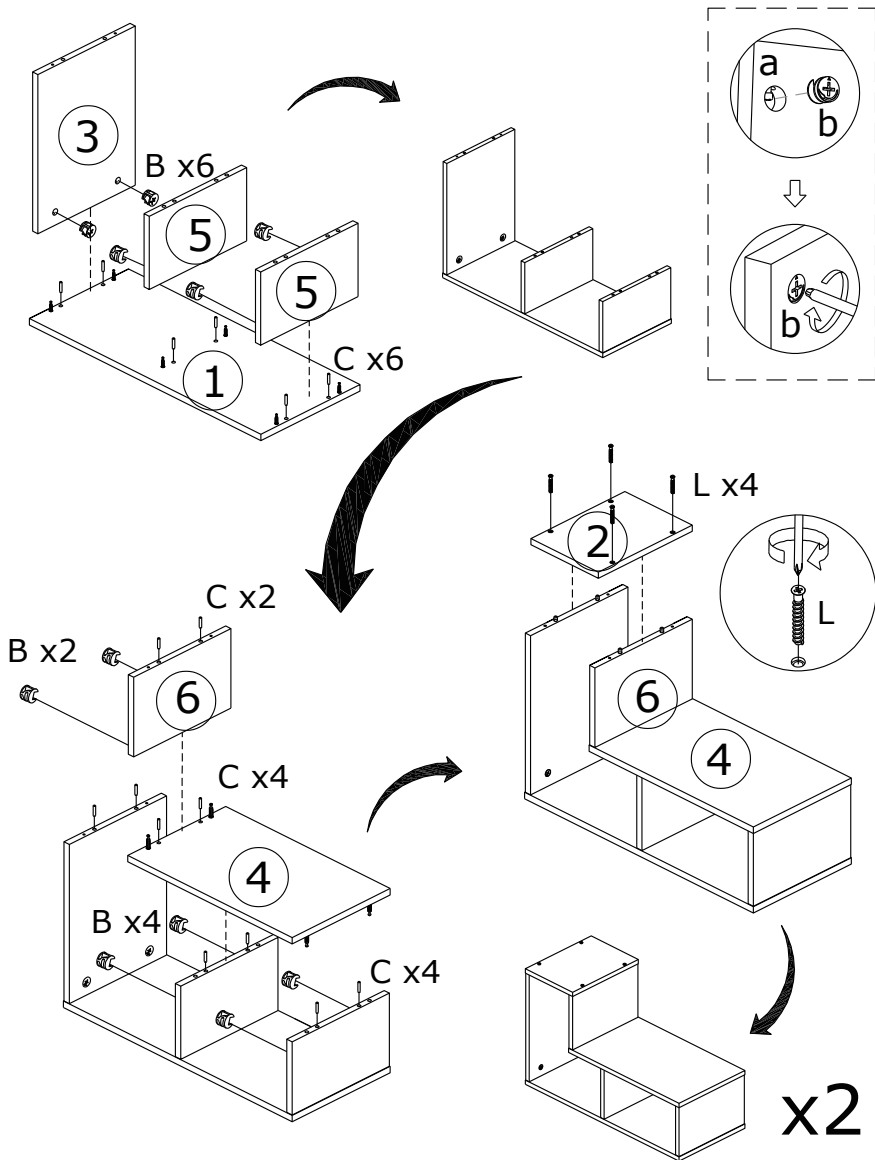
2

B  x12	C  x12
---	---

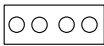



3

B  x24	C  x32	L  x8
---	---	--



4

X	 x5	Z	 x44
---	--	---	---

