

4335306COM Queen Wall Bed

**NOV
OGR
ATZ**

Date of Purchase ___ / ___ / ___
Lot Number:

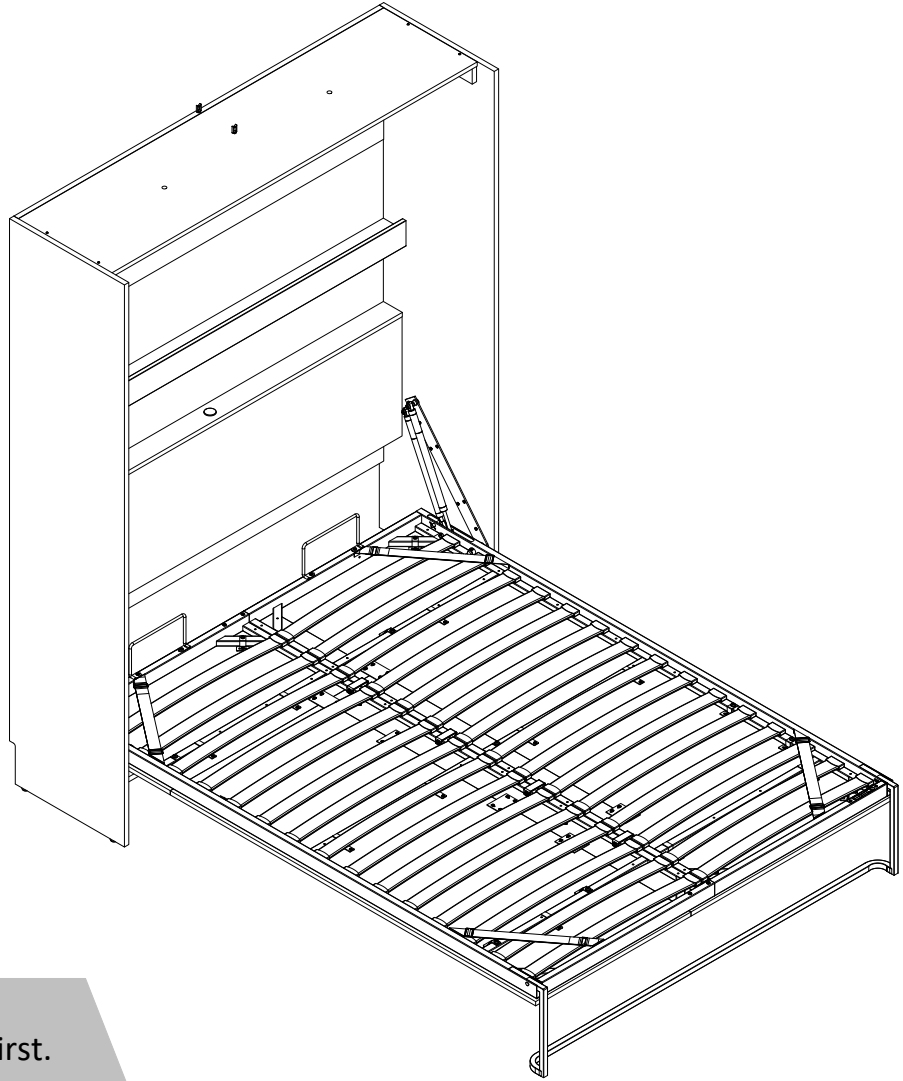
B344335306COM0

WARNING:

* WARNING FOR YOUNG CHILDREN -

This product contains small components, please ensure that they are kept away from small children. Children under the age of 6, small infants and babies must not sleep on this bed for safety reasons. To prevent injury and damage to this unit, PROHIBIT jumping on it.

* This product is designed for home use and not intended for commercial use.



Do Not Return This Product!

Contact our customer service team for help first.

Call: 1-800-489-3351 (toll free)

Visit: www.ameriwoodhome.com

THIS INSTRUCTION BOOKLET CONTAINS **IMPORTANT** SAFETY INFORMATION. PLEASE READ AND KEEP FOR FUTURE REFERENCE.

**Professional installation is
required for this unit.**



WARNING

- Unit can tip over causing severe injury or death.
- Anchor unit to stud in wall
- Do Not allow children to climb on unit



Easy Professional
Assembly Difficulty Meter

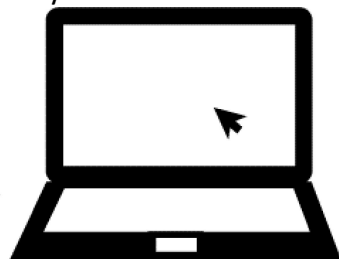
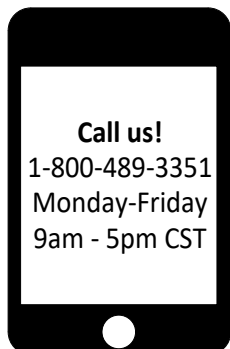
Follow Ameriwood Home



Contact Us!

Do NOT return this product!

Contact our friendly customer service team first for help.



Visit ameriwoodhome.com to view the limited warranty valid in the U.S. and Canada.

Assembly Tips



Helpful Hints

PEOPLE NEEDED FOR ASSEMBLY: 2

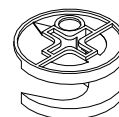
- Open your item in the area you plan to keep it to avoid excessive heavy lifting.



- Identify, sort and count the parts before attempting assembly.



- Make sure to always face the point on the top of the Cam Lock towards the outer edge.

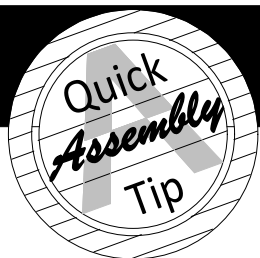


- Do NOT use harsh chemicals or abrasive cleaners on this item.



- Never push, pull, or drag your furniture.



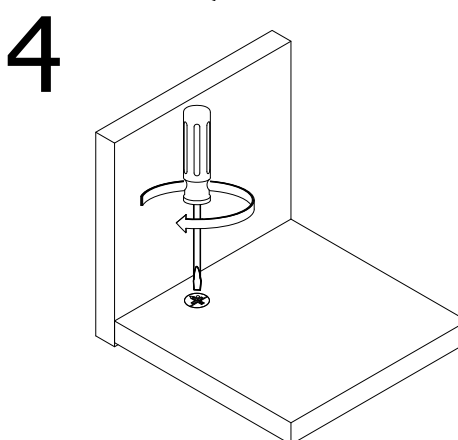
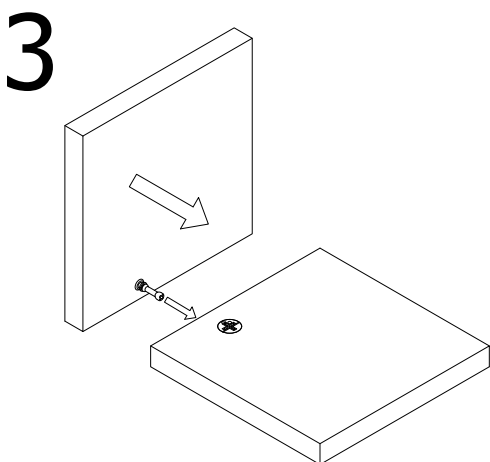
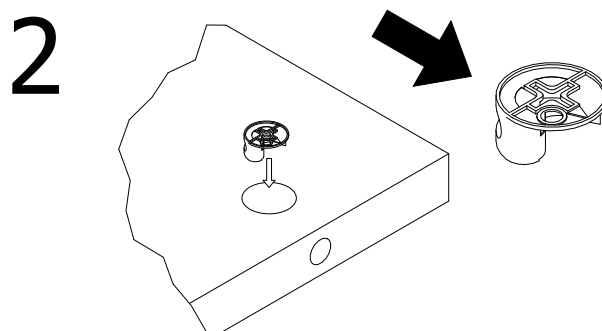
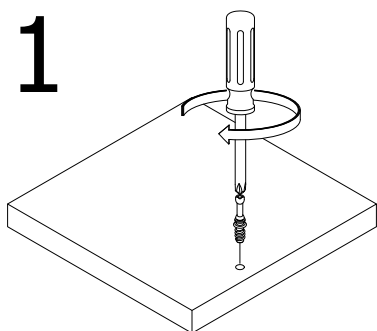


Before You Start

- ✓ Read through each step carefully and follow the proper order
- ✓ Separate and count all your parts and hardware
Parts are labeled on the surface or edge of the part
- ✓ Give yourself enough room for the assembly process
- ✓ Have the following tools: #2 Phillips Head Screwdriver, Hammer, Level, Stud Finder, Pencil, Step Ladder, Rubber Mallet and a Drill with 1/8" and 1/4" bits
- ✓ **Caution:** If using a power drill or power screwdriver for screwing, please be aware to slow down and stop when screw is tight. Reduce torque setting to a lower level so the drill will skip when the screw is tight. Failure to do so may result in stripping the screw.

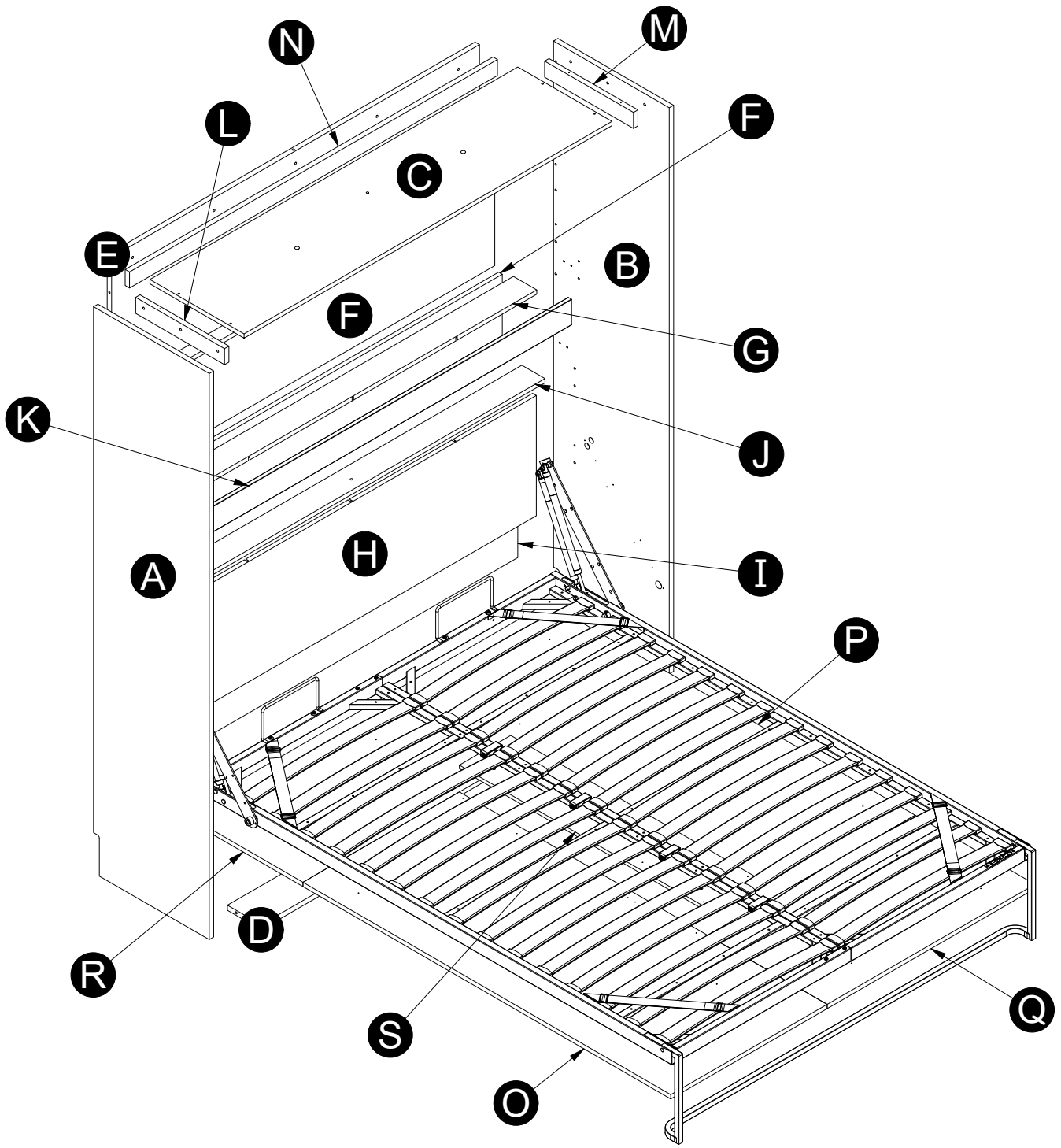
Cam Lock Fastening System

This Cam Lock Fastening System will be used throughout the assembly process.



Board Identification

Not actual size



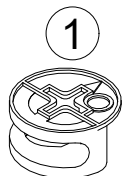
Board Identification

Parts List			
ITEM	QTY	PART NUMBER	DESCRIPTION
A	1	34335306010	LEFT PANEL
B	1	34335306020	RIGHT PANEL
C	1	34335306030	TOP
D	1	34335306040	BOTTOM
E	1	34335306050	UPPER BACK PANEL
F	2	34335306060	CENTER BACK PANEL
G	1	34335306070	UPPER SHELF
H	1	34335306080	HEADBOARD PANEL
I	1	34335306090	BOTTOM STRINGER
J	1	34335306100	LOWER SHELF
K	1	34335306110	SHELF RAIL
L	1	34335306120	LEFT SIDE RAIL
M	1	34335306130	RIGHT SIDE RAIL
N	1	34335306140	TOP REAR RAIL
O	1	34335306150	UPPER VERTICAL
P	1	34335306160	LOWER VERTICAL
Q	1	34335306170	UPPER HORIZONTAL
R	1	34335306180	LOWER HORIZONTAL
S	1	34335306190	CENTER PANEL

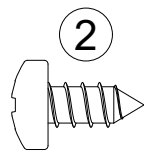
Note that your unit may contain extra hardware

Part List

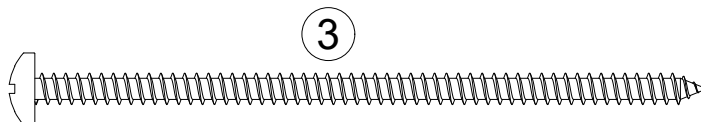
Actual Size



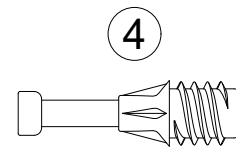
(x26)
#A22620
cam lock



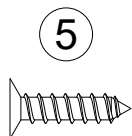
(x10)
#A15520
#14 x 1/2" pan



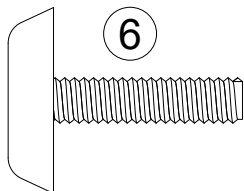
(x8)
#A13950
#8x3-1/2" pan head



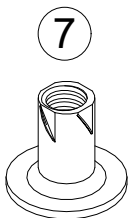
(x26)
#A22610
cam bolt



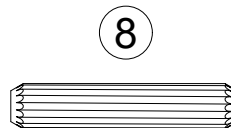
(x16)
#A12400
#8x5/8" flat head



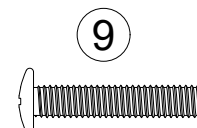
(x4)
#A43020
glide



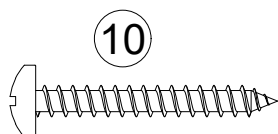
(x4)
#A20330
nut



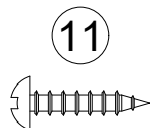
(x28)
#A21660
wood dowel



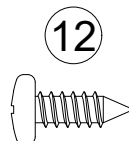
(x6)
#A17400
7/8" truss



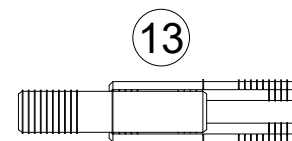
(x4)
#A13020
#8x1-1/4" pan



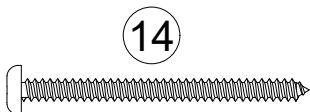
(x2)
#A11170
#6x 5/8" pan head



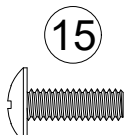
(x57)
#A14220
#10 x 1/2" pan



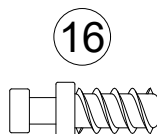
(x11)
#A21980
face connector



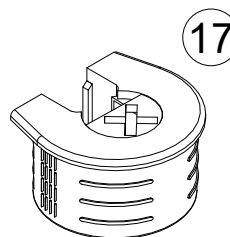
(x2)
#A11800
#6 x 1-1/2" pan



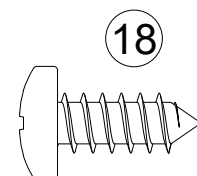
(x1)
#A17200
1/2" truss



(x6)
#A22910
connector bolt



(x6)
#A22920
connector

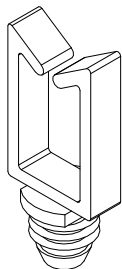


(x3)
#A15550
5/16 x 3/4" pan

Note that your unit may contain extra hardware

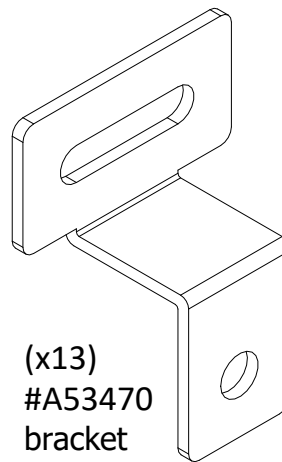
Part List

Actual Size



20

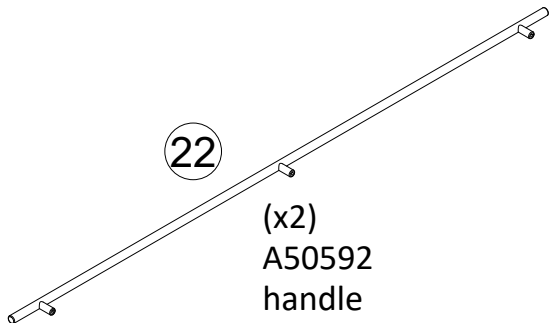
(x2)
#A81090
wire saddle



21

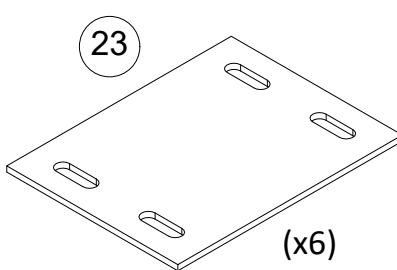
(x13)
#A53470
bracket

Not Actual Size



22

(x2)
A50592
handle

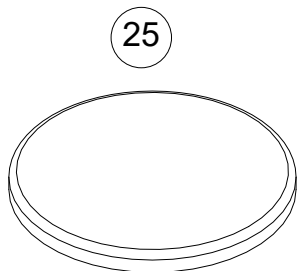


23

(x6)
A54270
connecting plate

24
shown on pages
31 & 32

(x1)
A99570
dual LED light kit



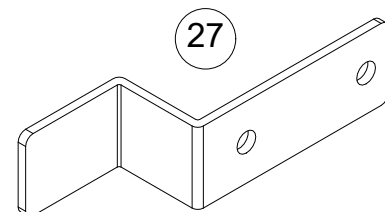
25

(x1)
A81340
touch sensor disk



26

(x1)
#B64481
warning label



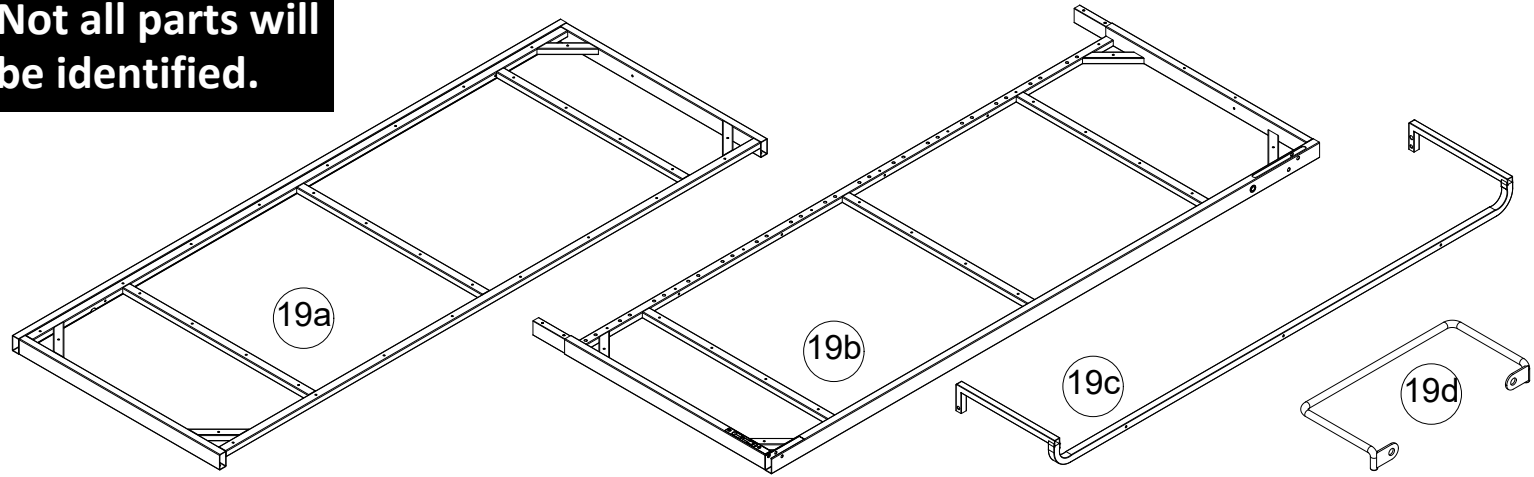
27

(x10)
#A53460
bracket

Bed Frame Identification

Not Actual Size

Note:
Not all parts will
be identified.

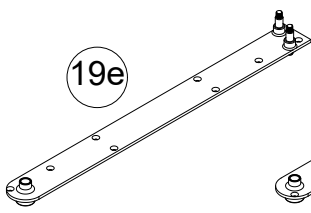


Left Assembly
9632096-19a

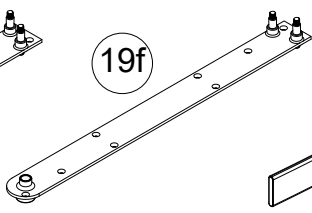
Right Assembly
9632096-19b

Leg
9632096-19c

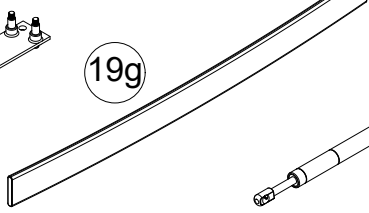
Mattress Holder (2)
9632096-19d



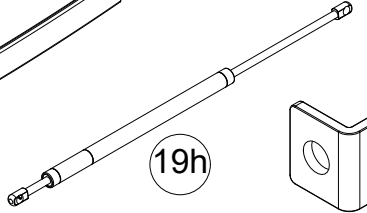
Left Pivot Arm
9632096-19e



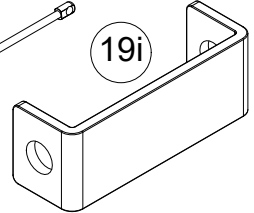
Right Pivot Arm
9632096-19f



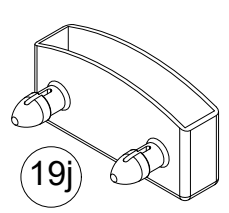
Wood Slat (30)
9632096-19g



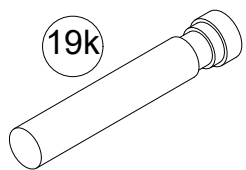
Gas Piston (4)
9632096-19h



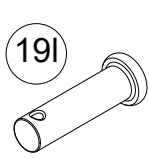
U-Bracket (4)
9632096-19i



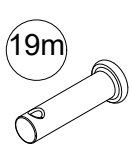
Plastic Cap (60)
9632096-19j



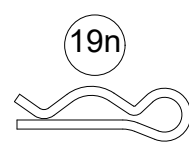
Pivot Pin (2)
9632096-19k



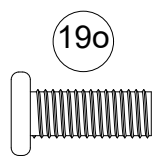
Large Clevis Pin (4)
9632096-19l



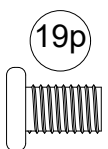
Small Clevis Pin (2)
9632096-19m



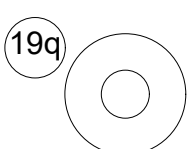
Cotter Pin (6)
9632096-19n



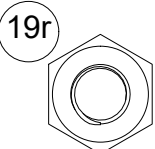
M6 x 16mm Bolt (12)
9632096-19o



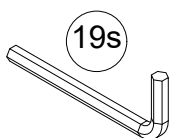
M6 x 10mm Bolt (6)
9632096-19p



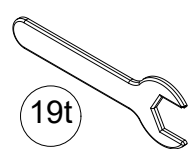
Washer (8)
9632096-19q



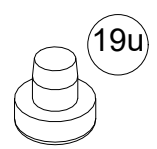
Hex Nut (4)
9632096-19r



4mm Hex Key
9632096-19s



Wrench
9632096-19t



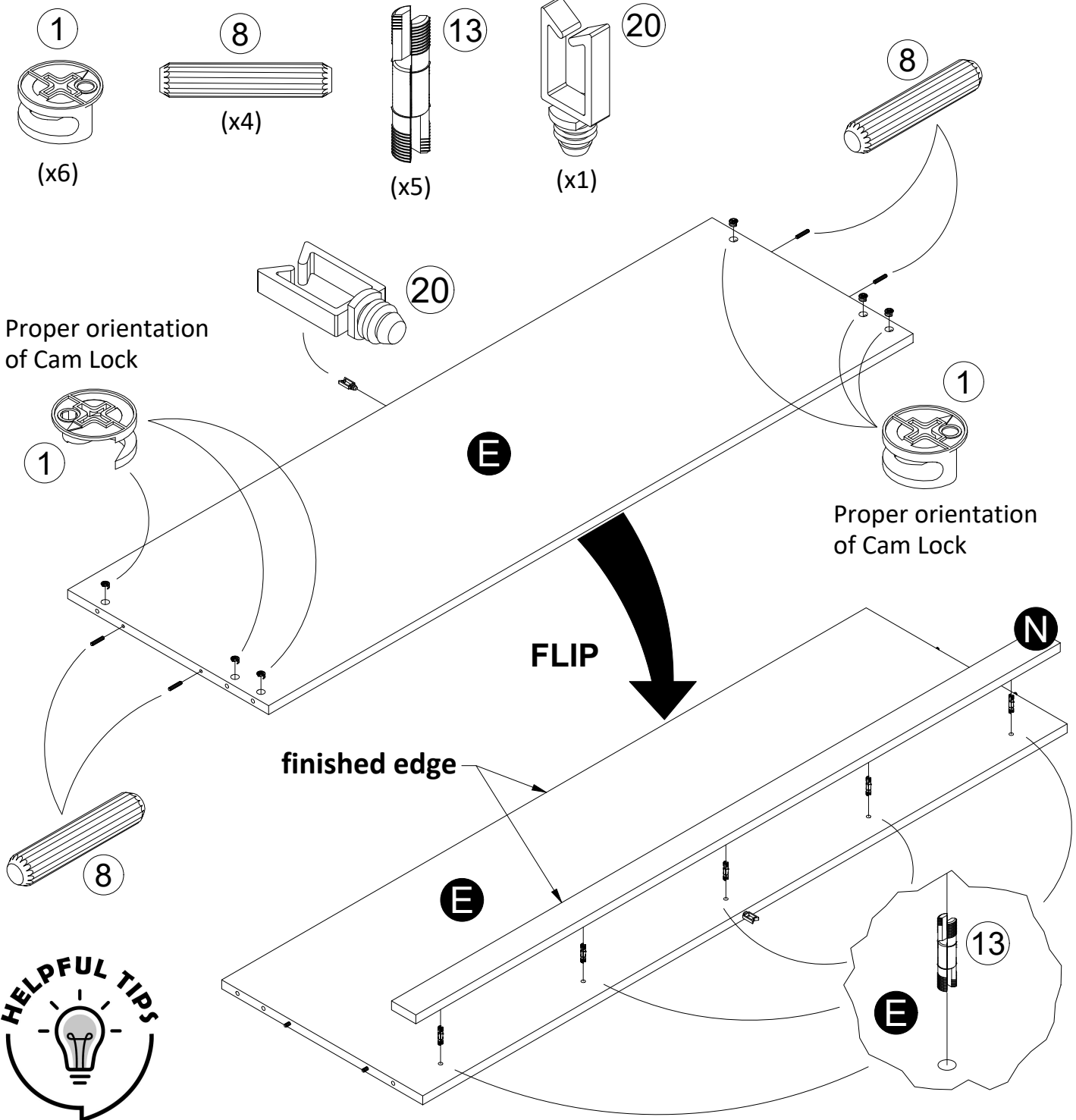
Rubber Foot (3)
9632096-19u

VERY IMPORTANT INFORMATION!



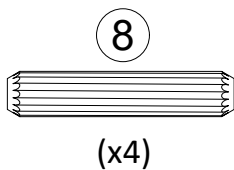
Caution: Failure to use 2 professionals for this assembly could result in unit damage or personal injury.

STEP 1

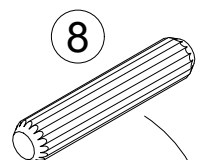


Press in face connector (13) into the holes in the Upper Back Panel (E) then engage the other end of the face connectors (13) into the holes in the Top Rear Rail (N). Press the two parts together to lock together. **Please note: the parts will be loose in the holes until you press both parts together. At that point, the ends will compress to give a tight fit.**

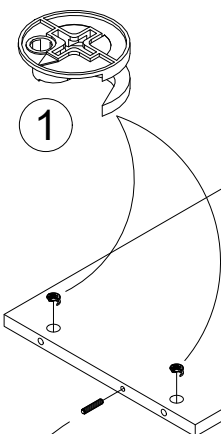
STEP 2



x2

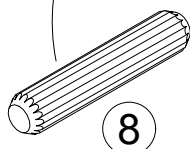


Proper orientation
of Cam Lock

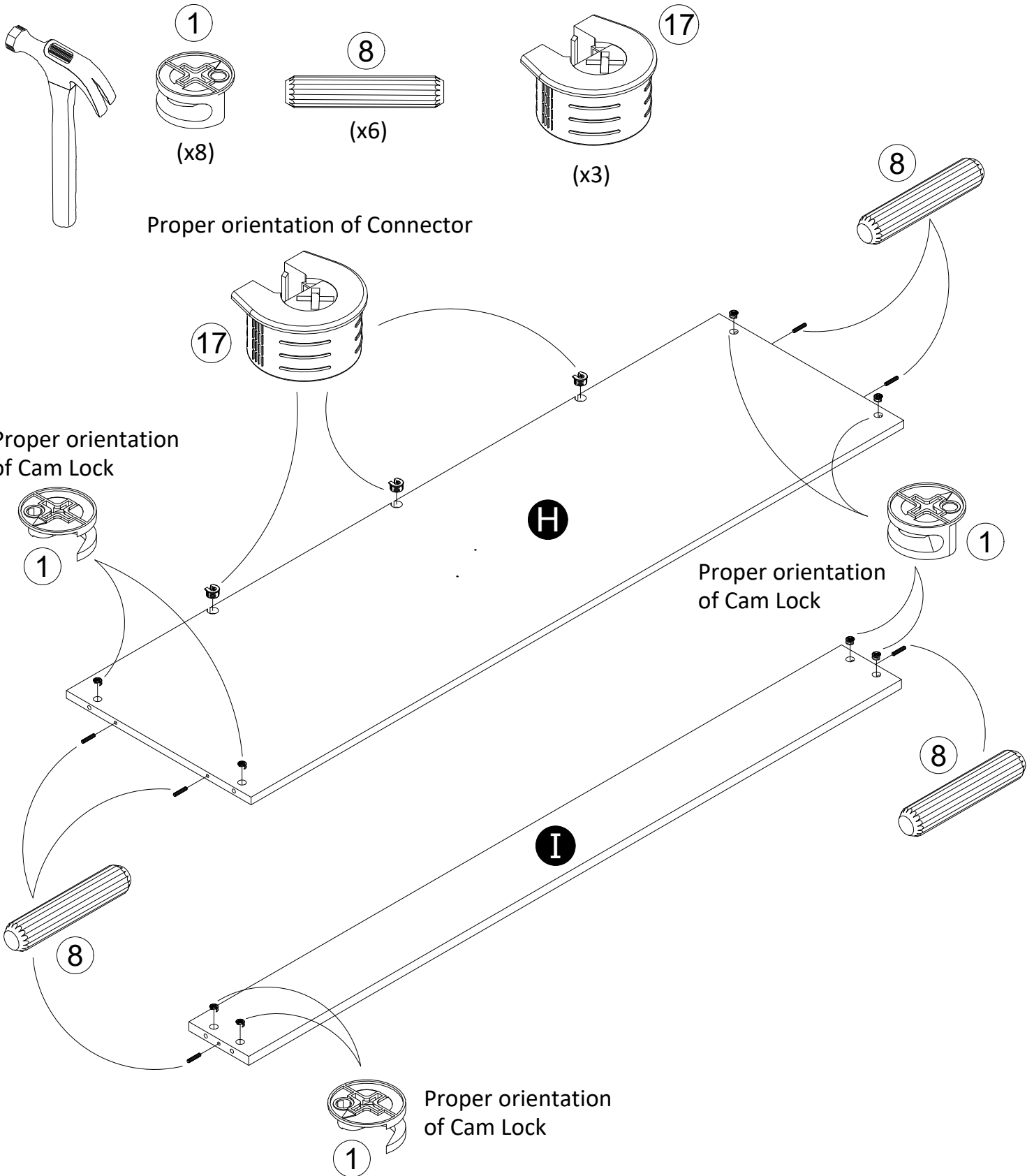


F

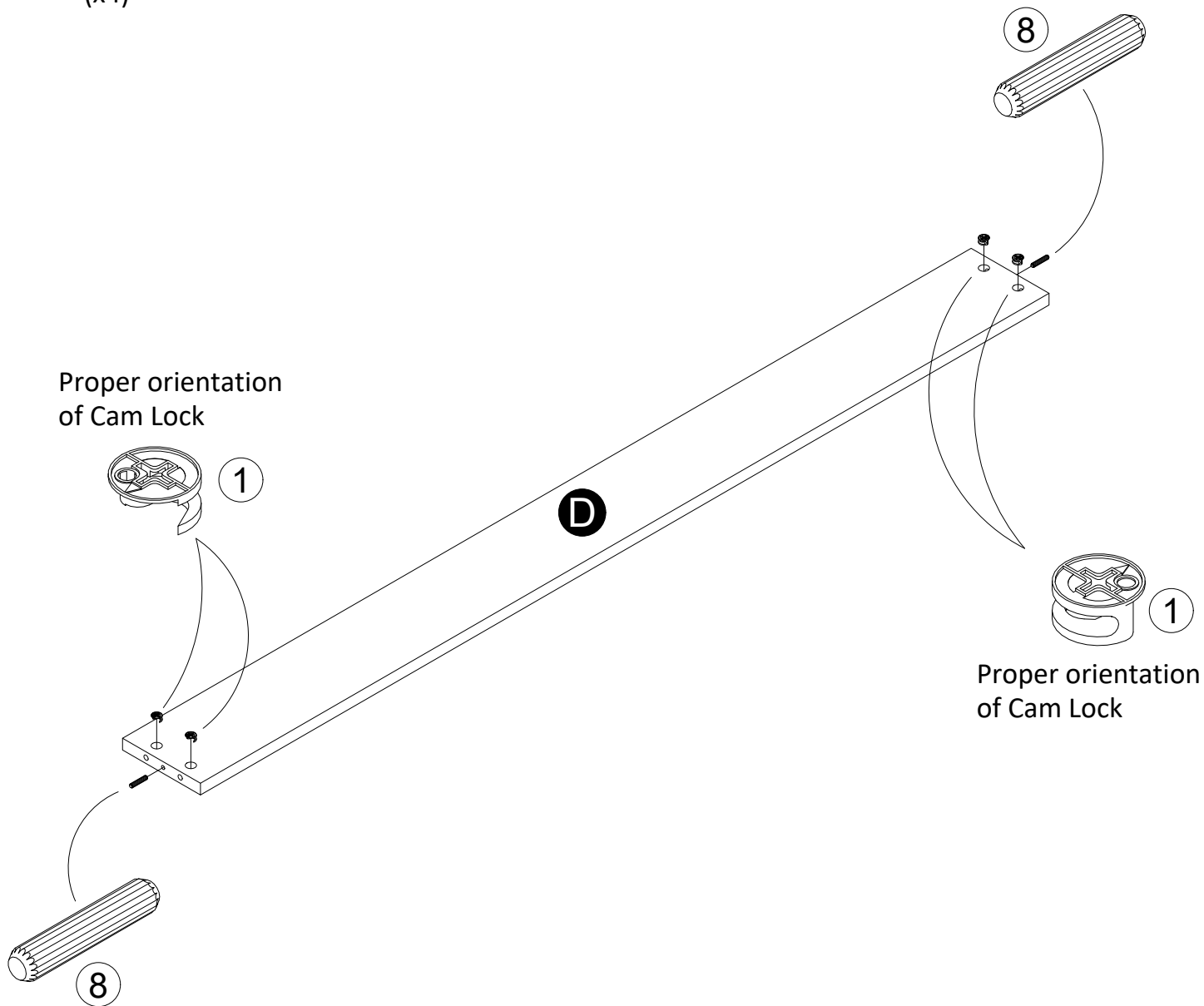
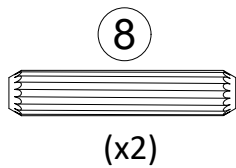
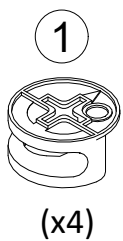
Proper orientation
of Cam Lock



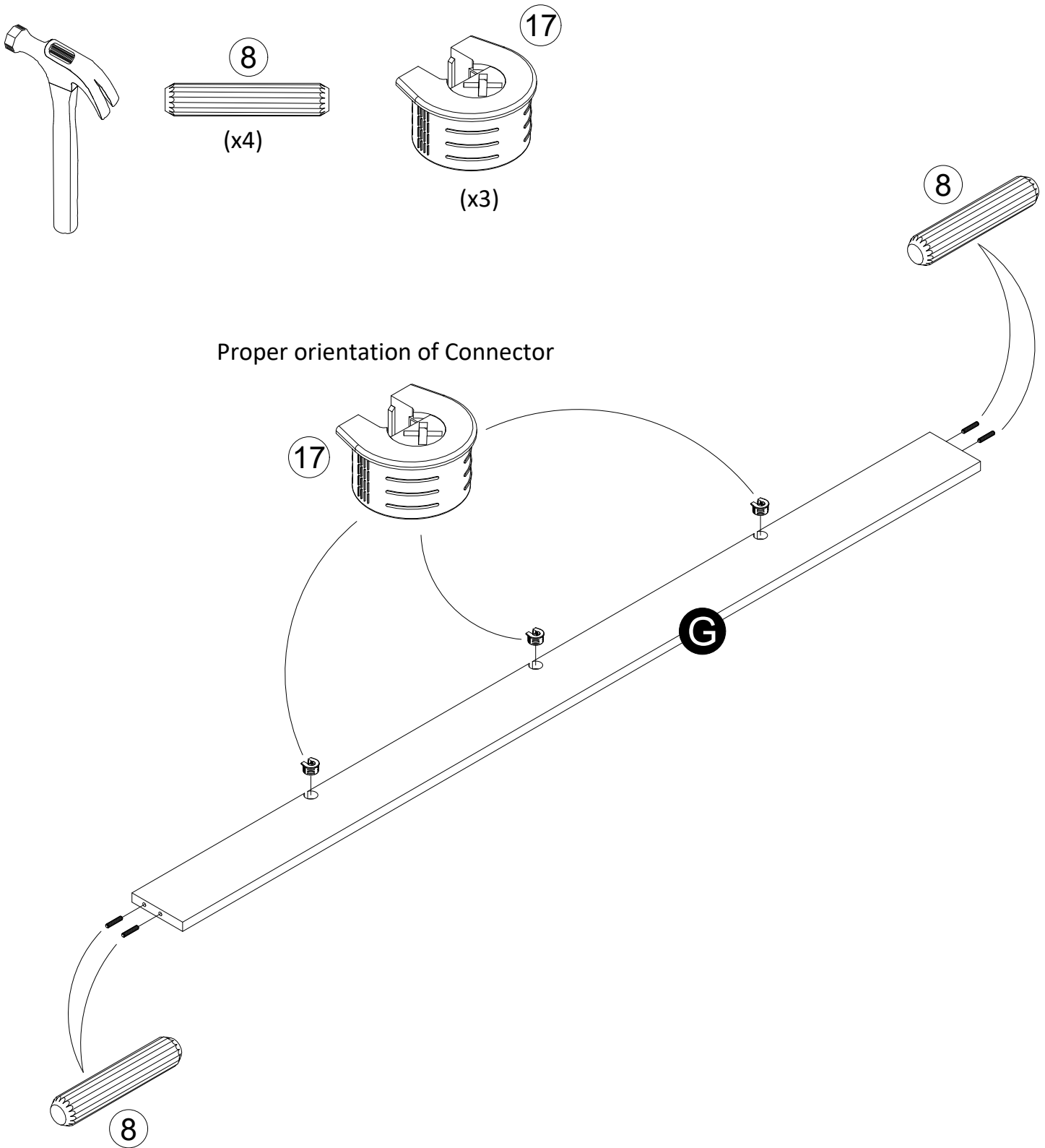
STEP 3



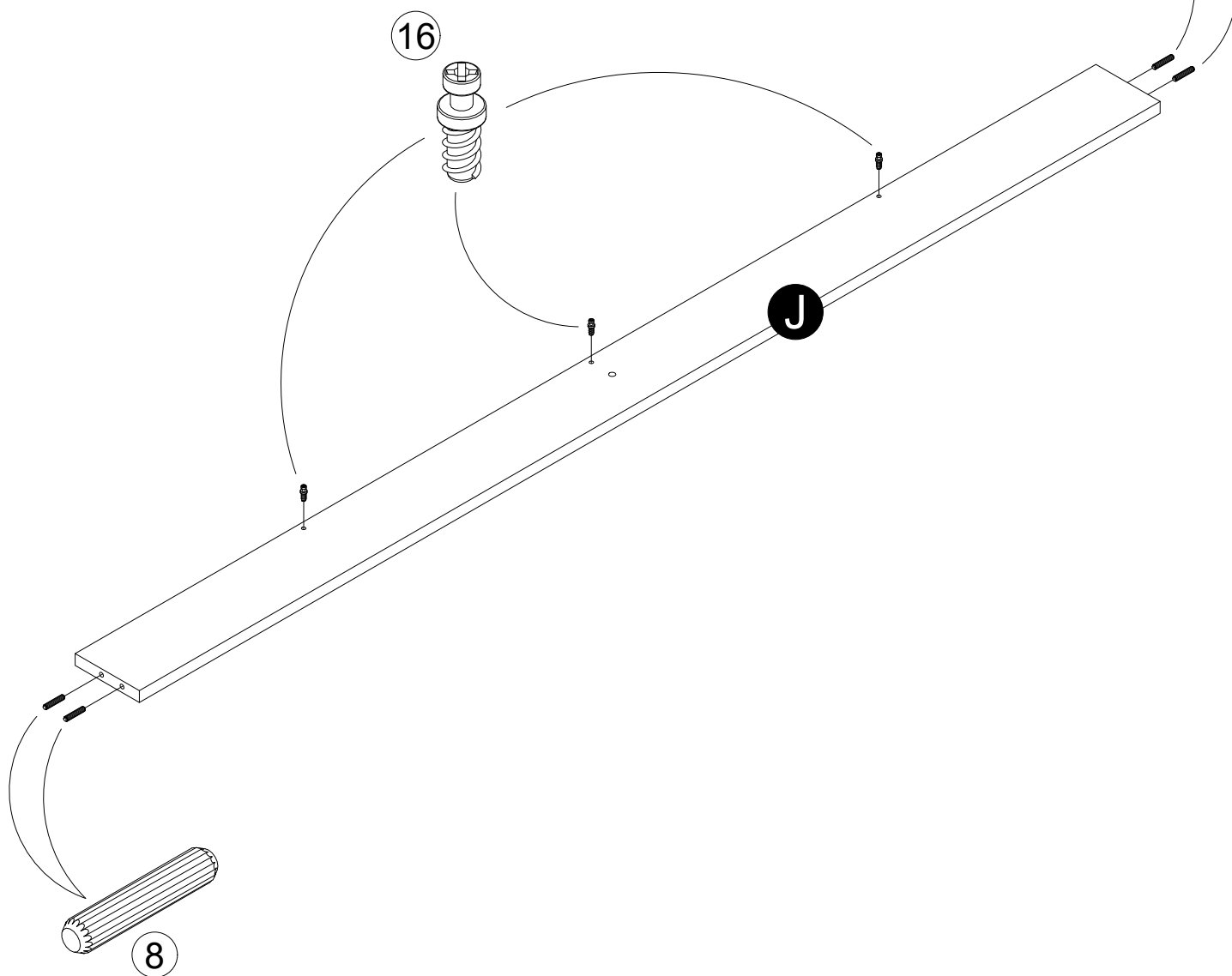
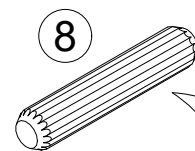
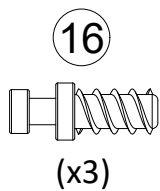
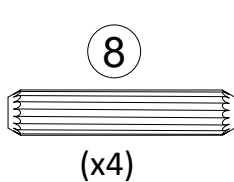
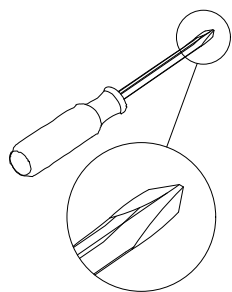
STEP 4



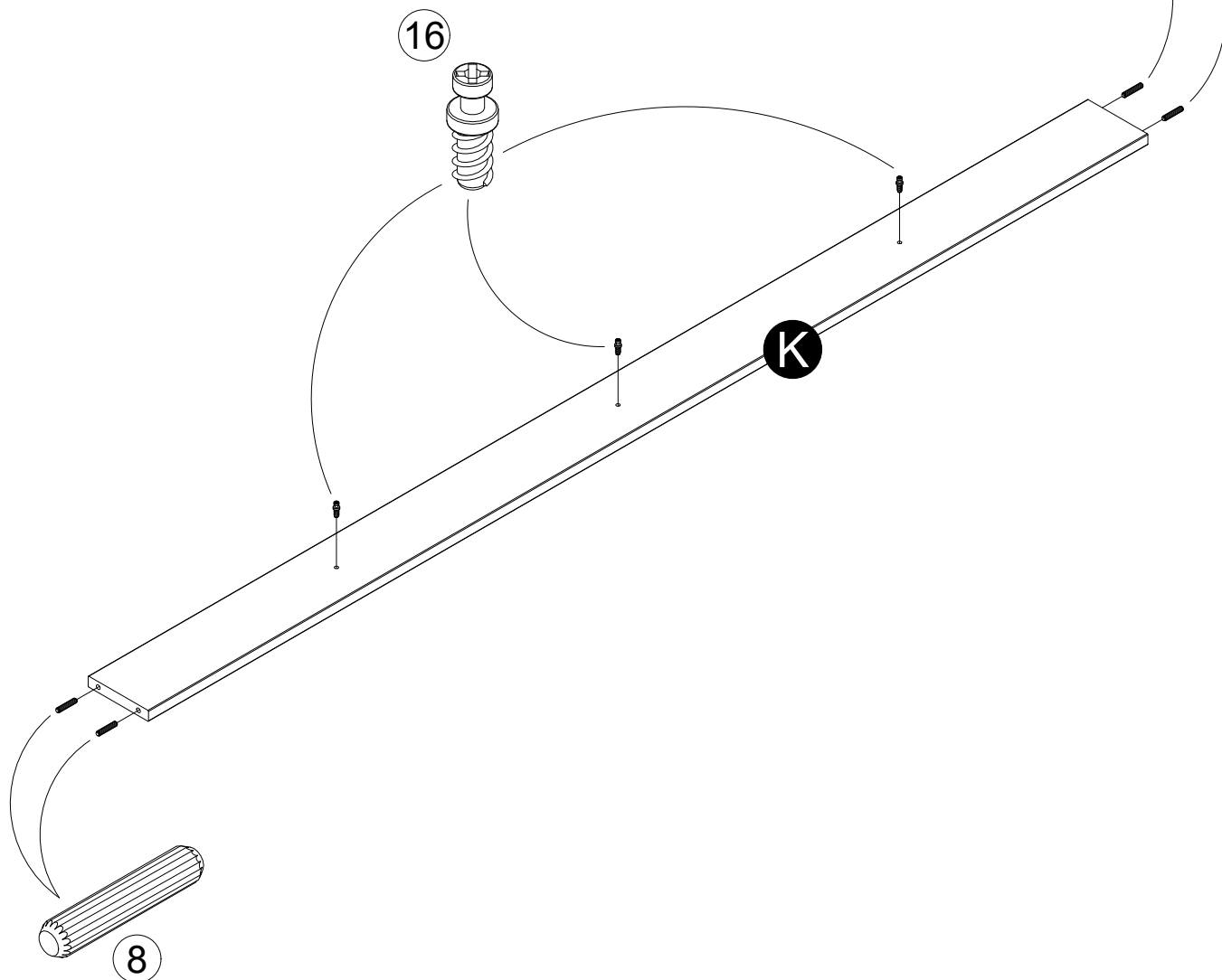
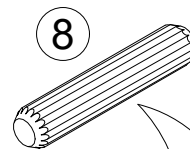
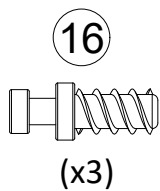
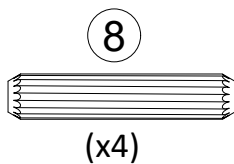
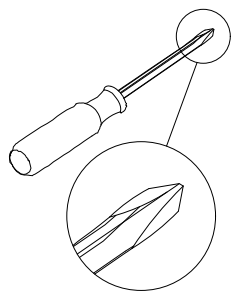
STEP 5



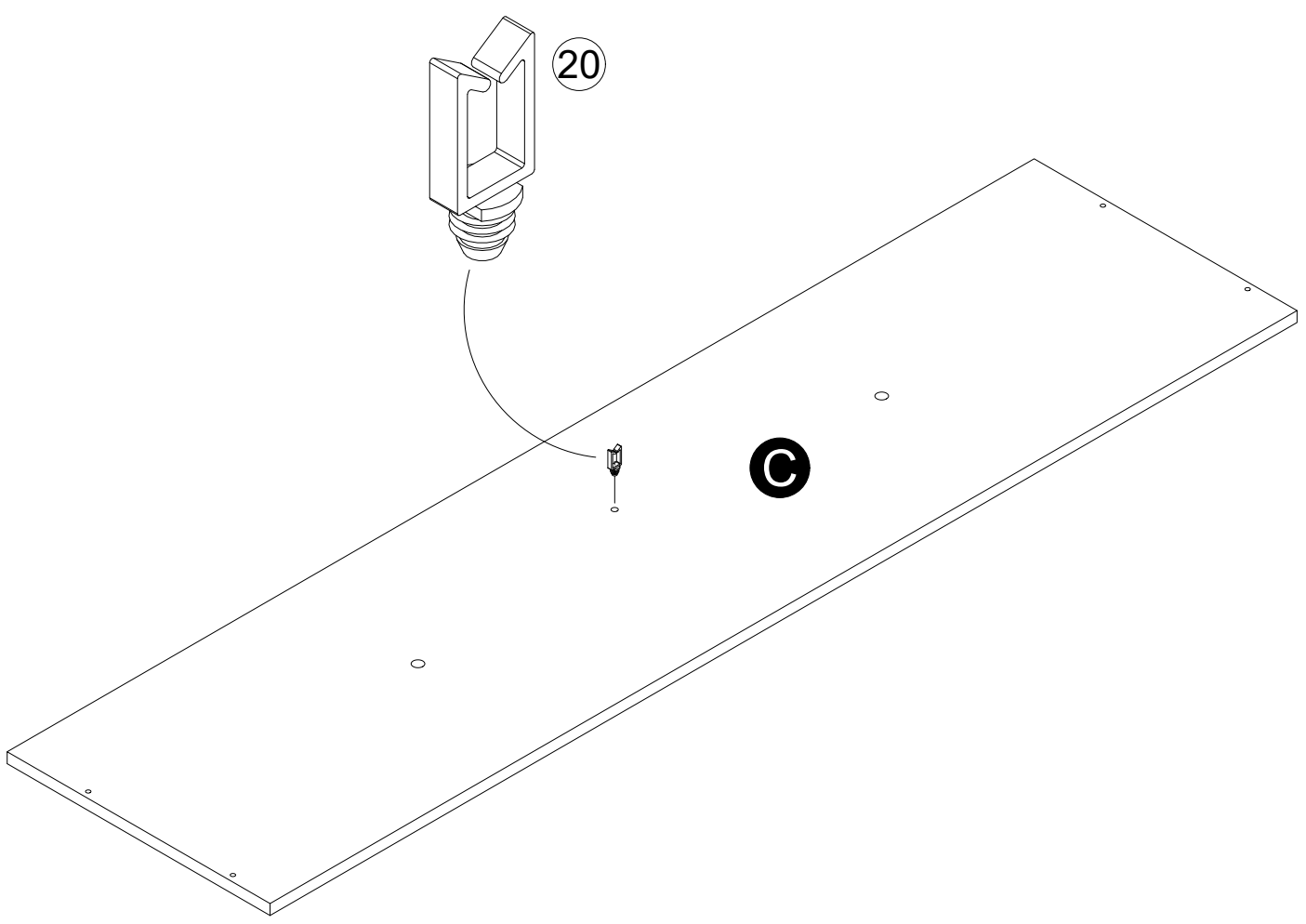
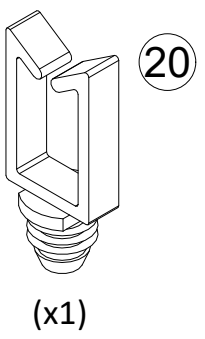
STEP 6



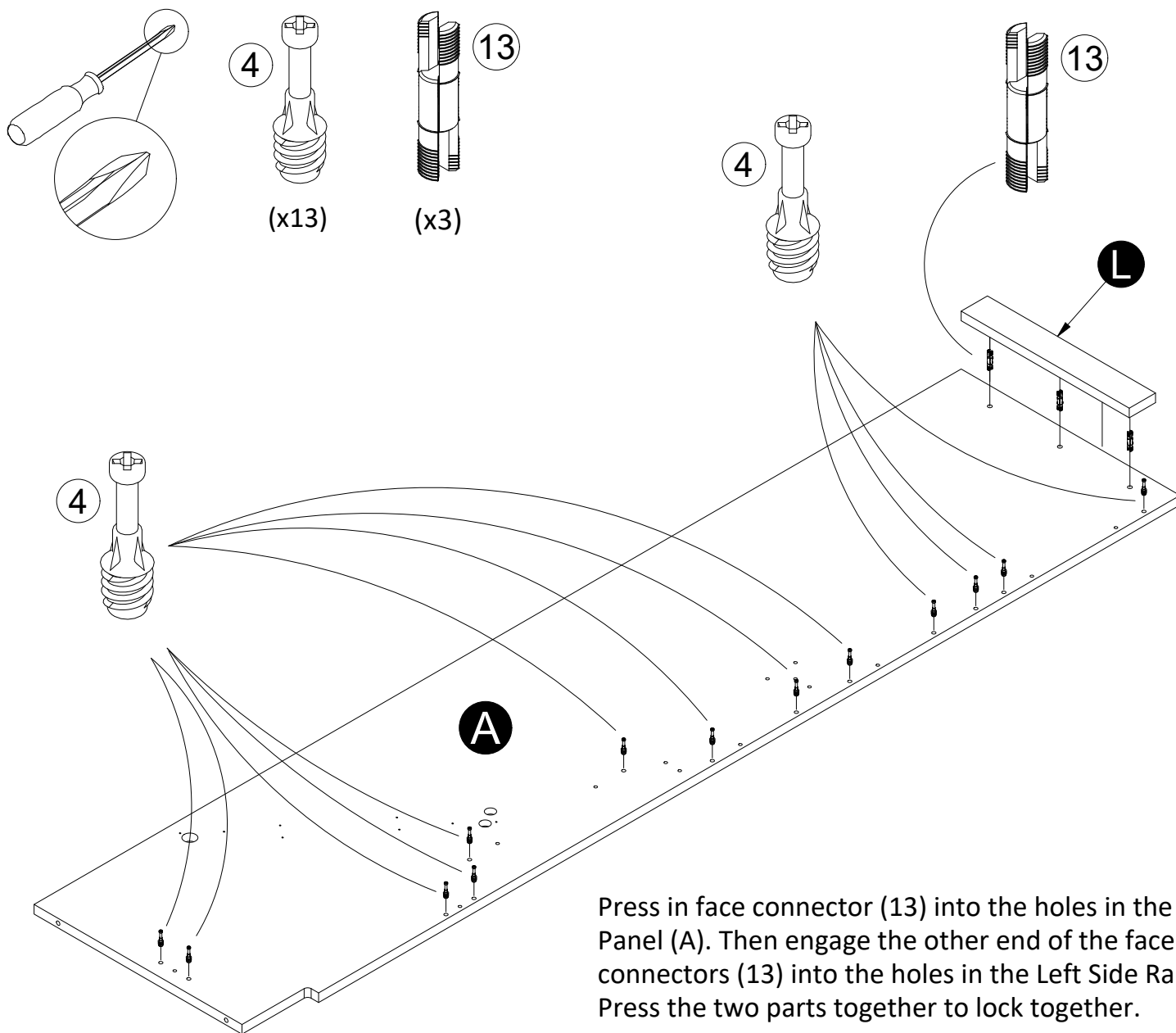
STEP 7



STEP 8

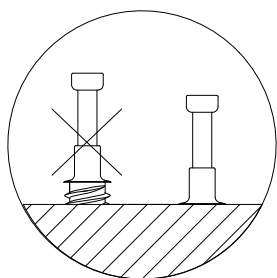


STEP 9

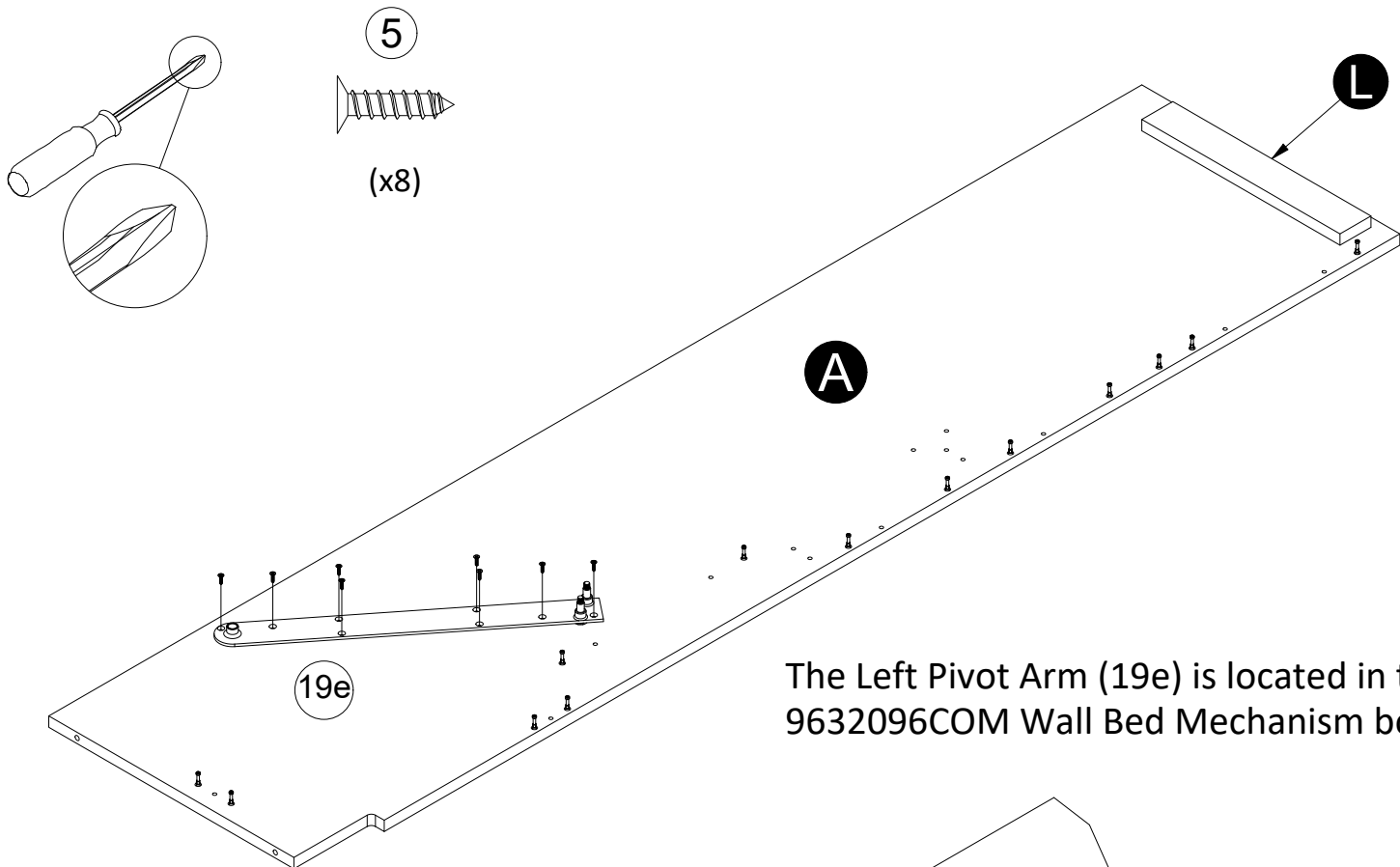


Press in face connector (13) into the holes in the Left Panel (A). Then engage the other end of the face connectors (13) into the holes in the Left Side Rail (L). Press the two parts together to lock together.

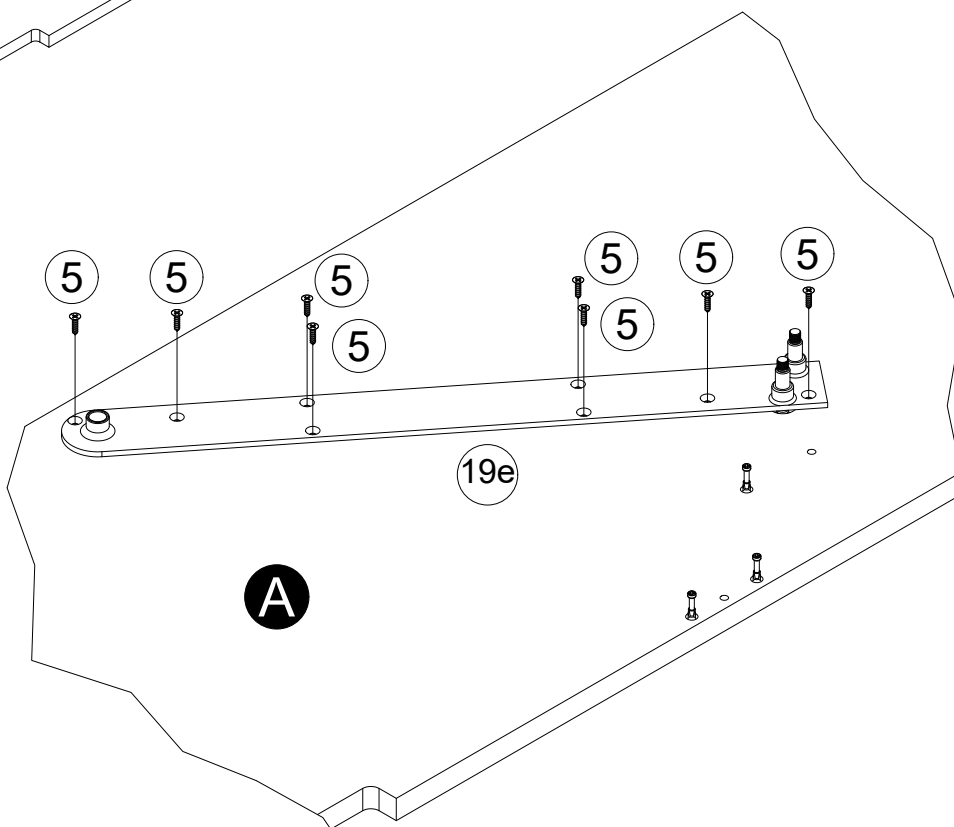
Please note: the parts will be loose in the holes until you press both parts together. At that point, the ends will compress to give a tight fit.



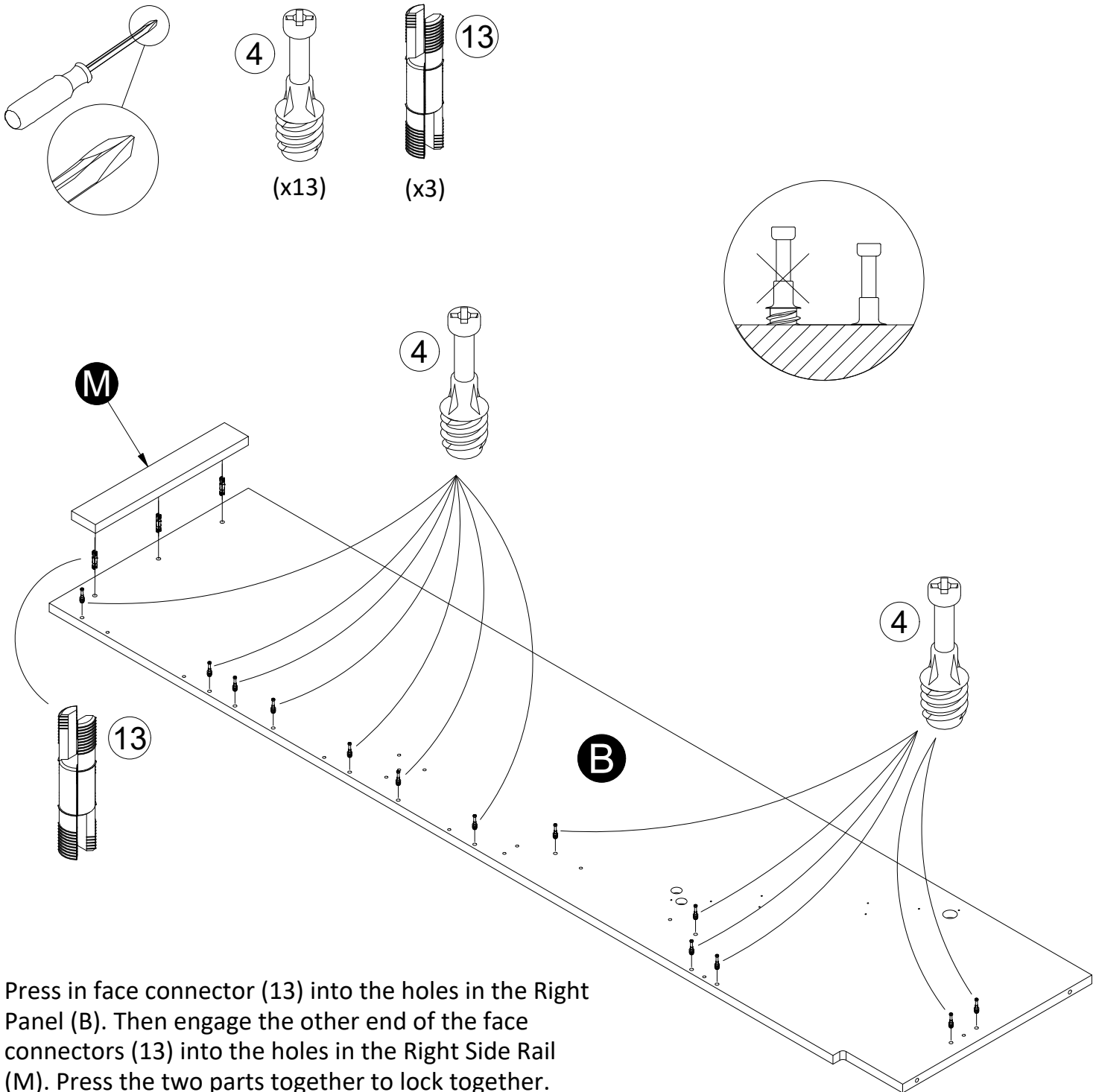
STEP 10



The Left Pivot Arm (19e) is located in the 9632096COM Wall Bed Mechanism box



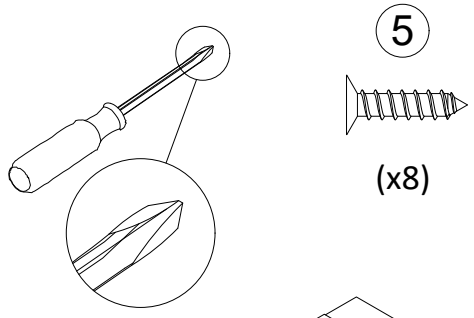
STEP 11



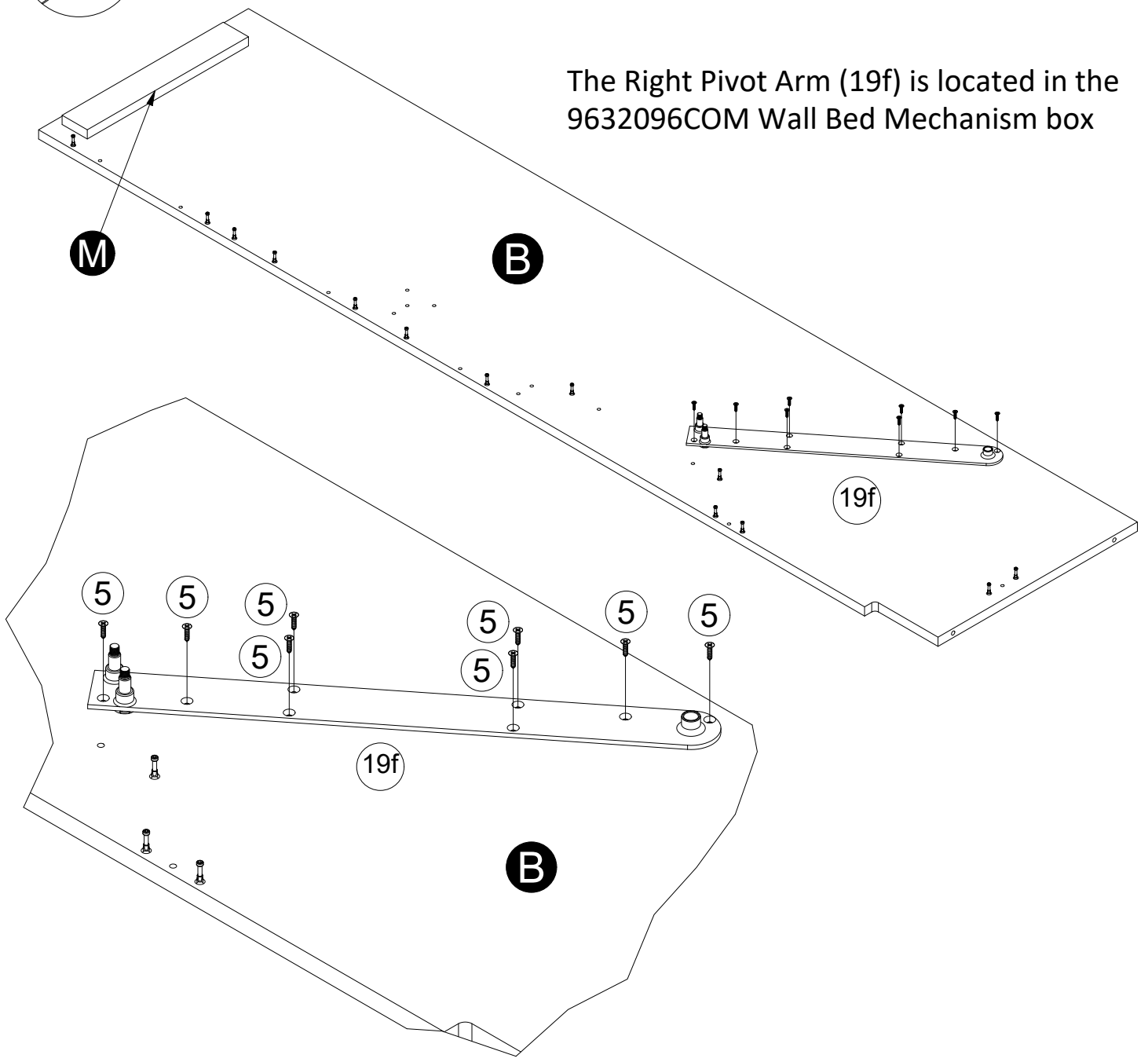
Press in face connector (13) into the holes in the Right Panel (B). Then engage the other end of the face connectors (13) into the holes in the Right Side Rail (M). Press the two parts together to lock together.

Please note: the parts will be loose in the holes until you press both parts together. At that point, the ends will compress to give a tight fit.

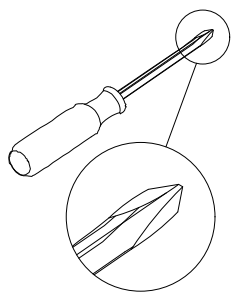
STEP 12



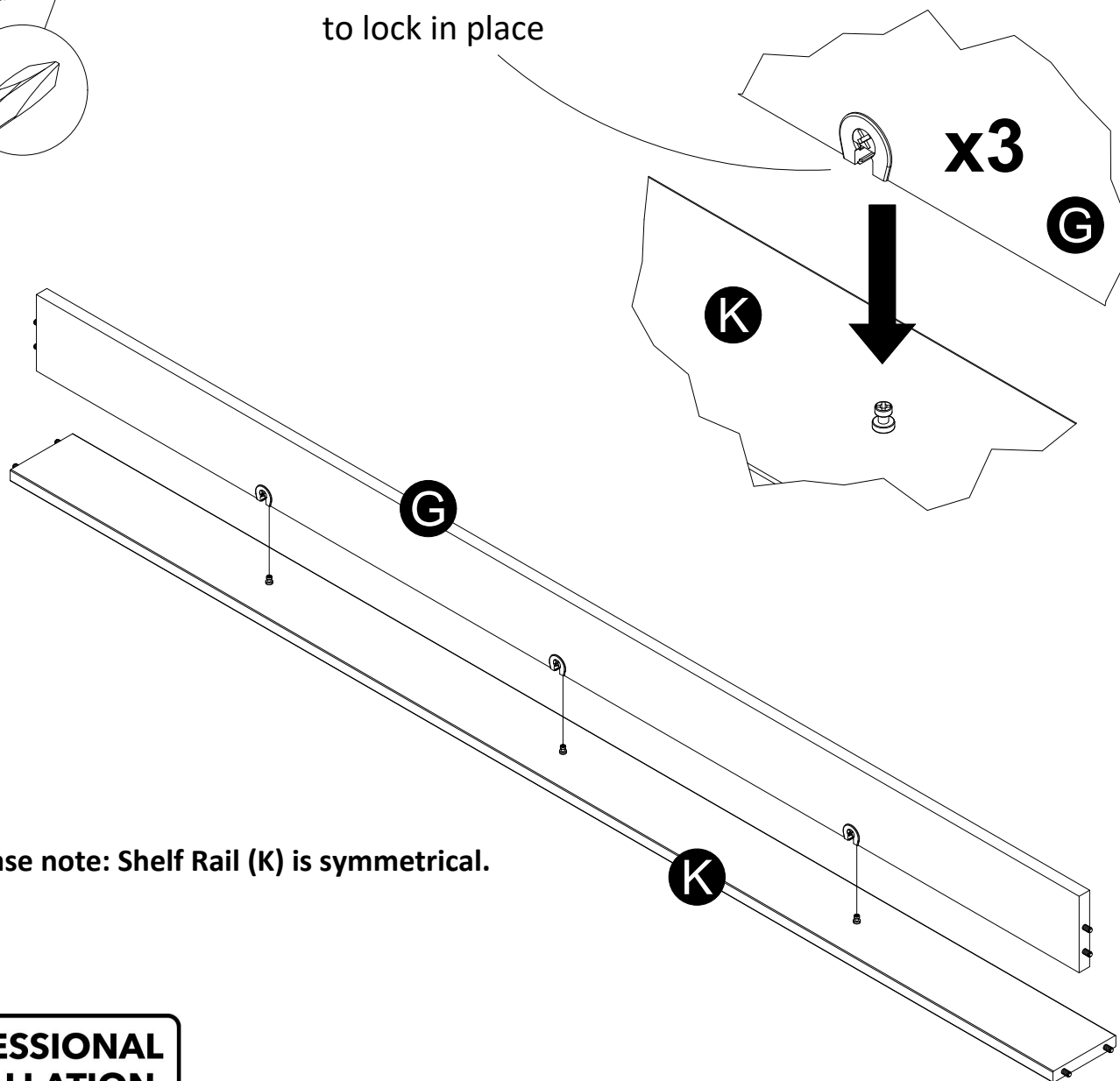
The Right Pivot Arm (19f) is located in the 9632096COM Wall Bed Mechanism box



STEP 13



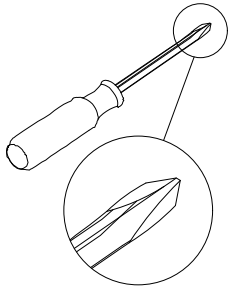
Turn clockwise
to lock in place



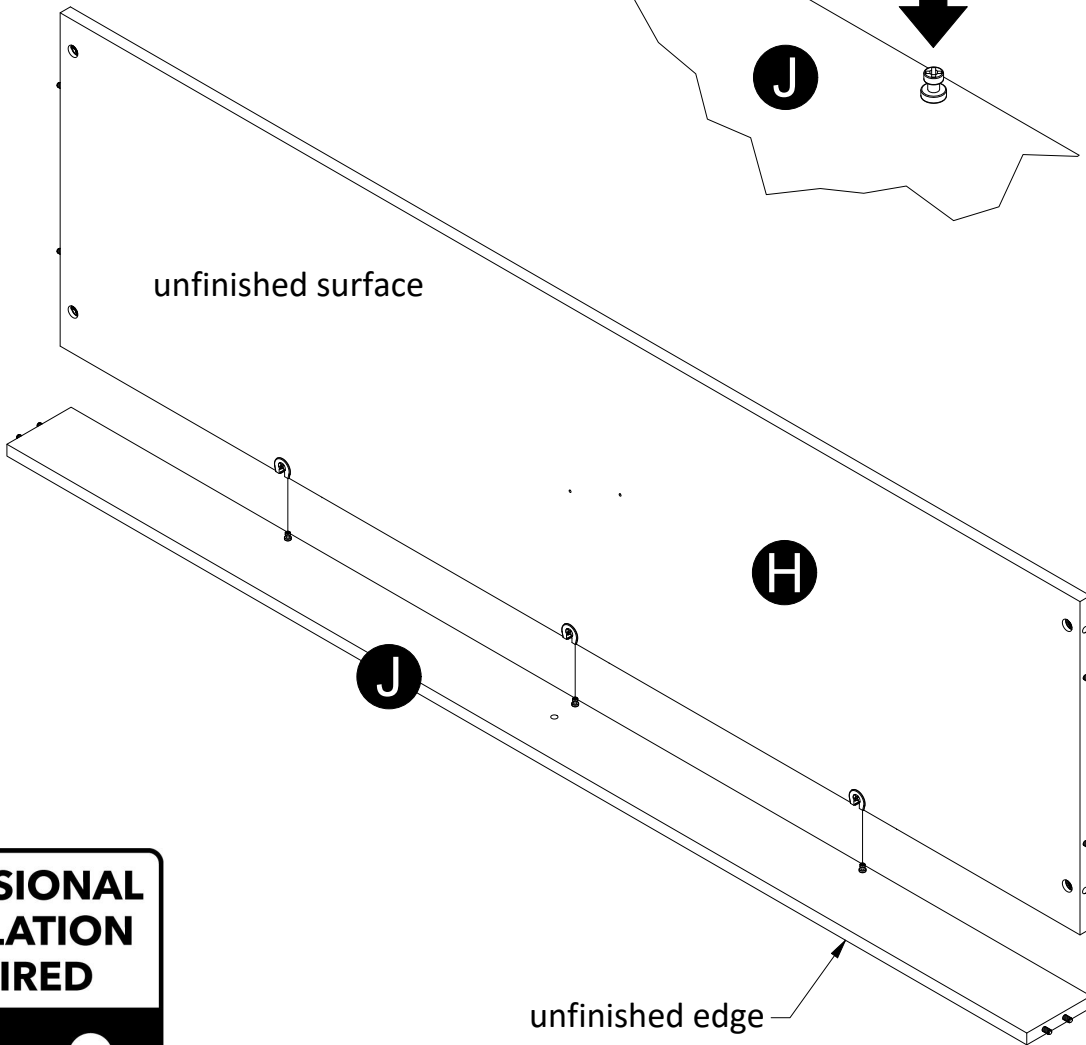
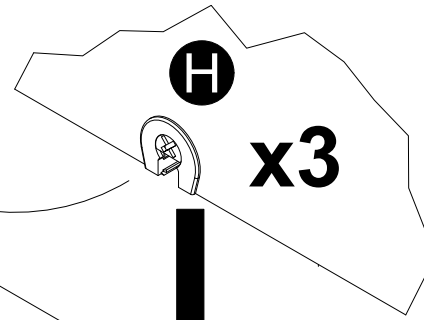
Please note: Shelf Rail (K) is symmetrical.



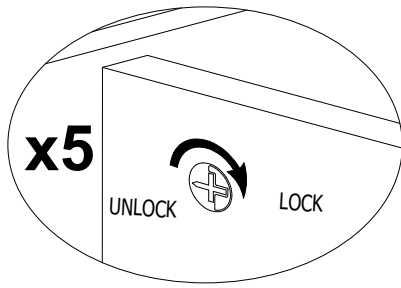
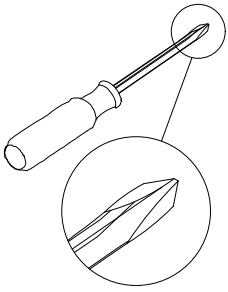
STEP 14



Turn clockwise
to lock in place



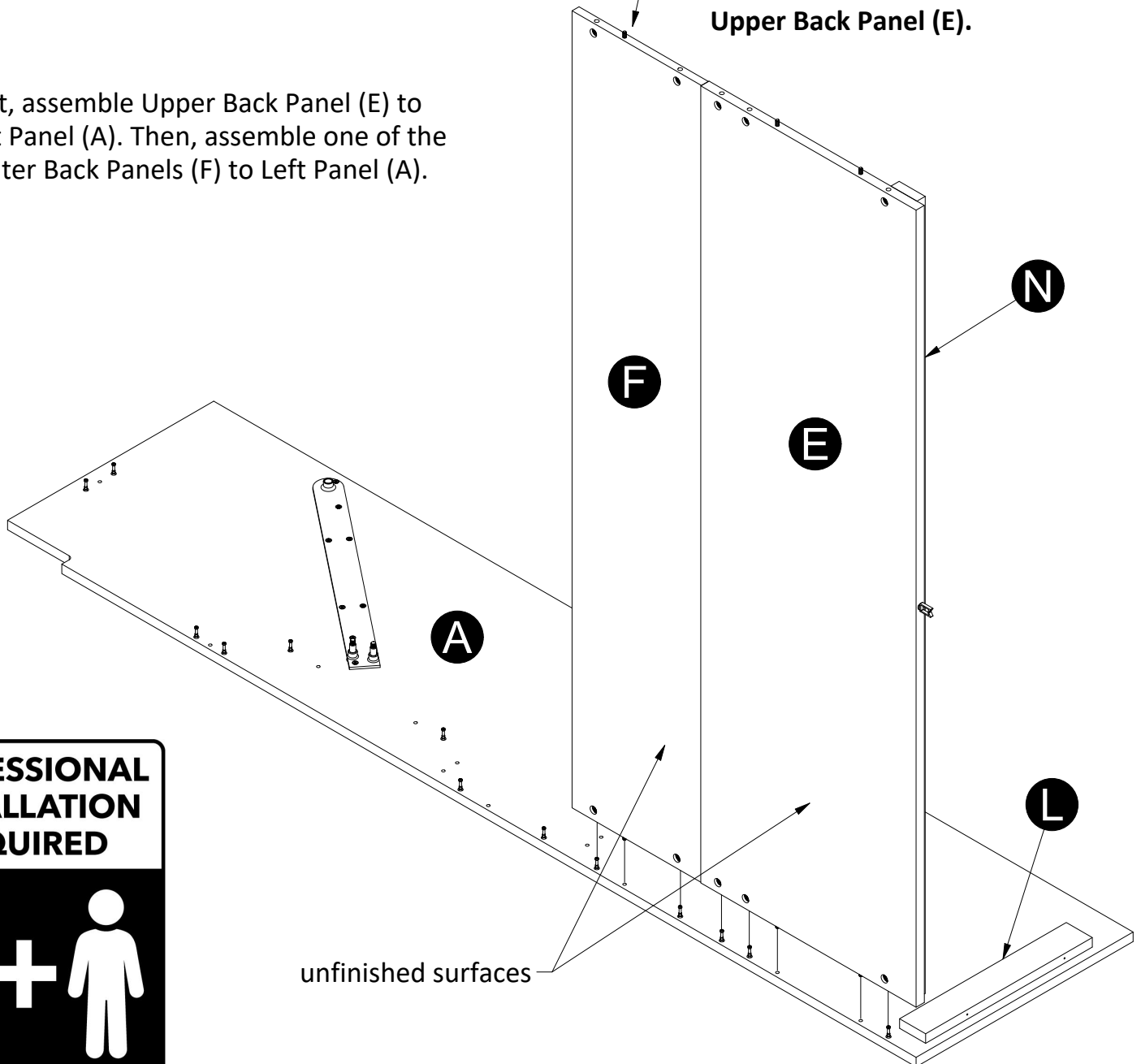
STEP 15



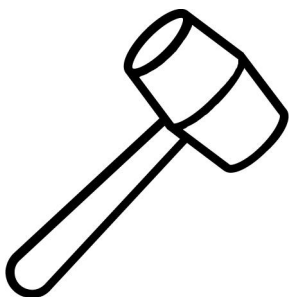
First, assemble Upper Back Panel (E) to Left Panel (A). Then, assemble one of the Center Back Panels (F) to Left Panel (A).

Dowel is closer to the edge here

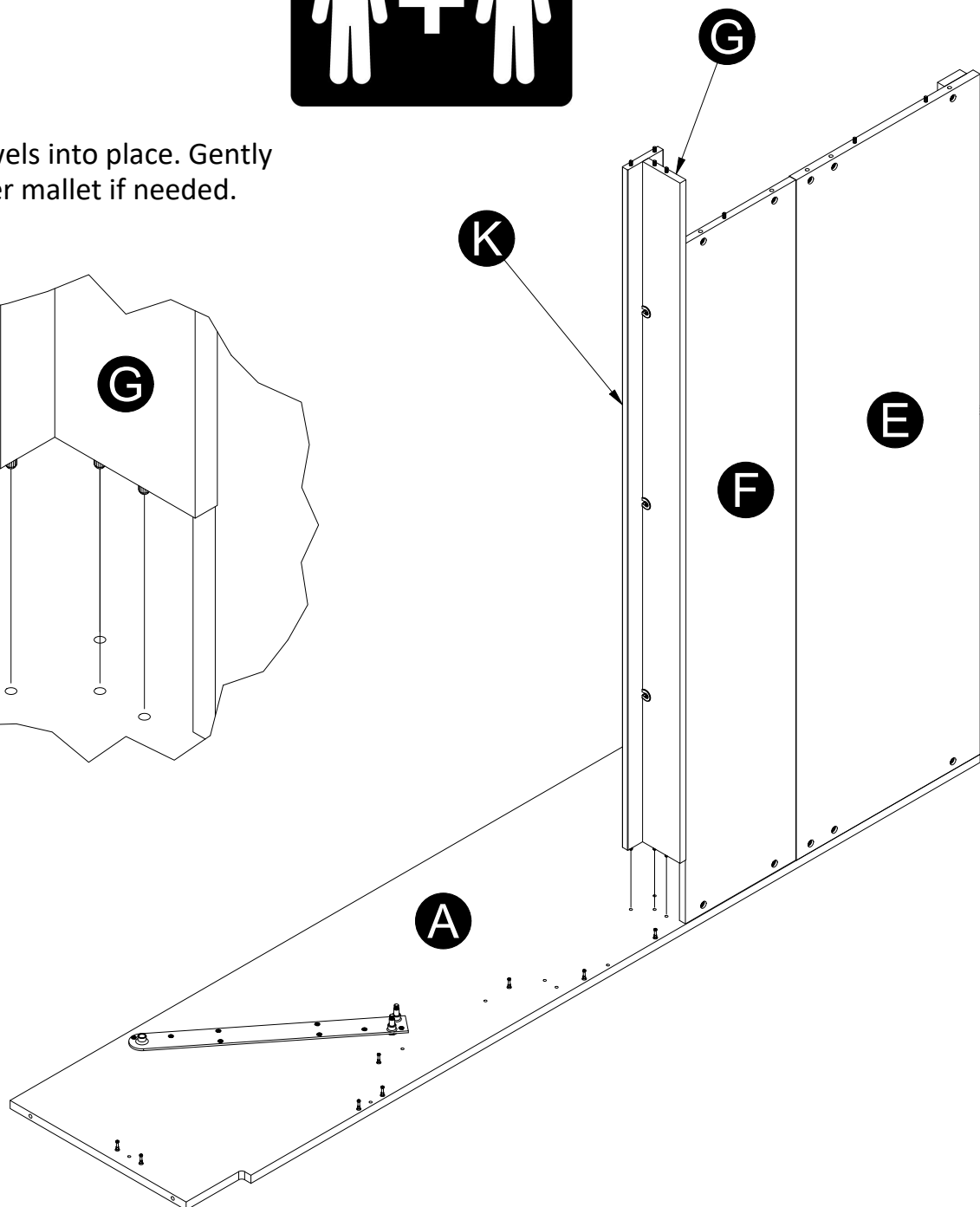
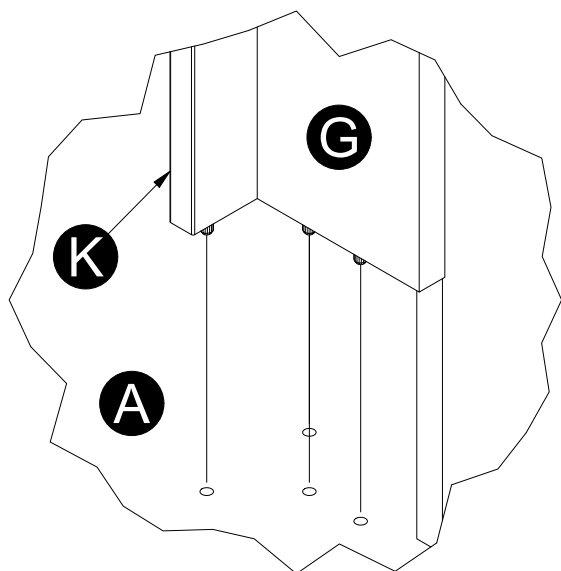
Please note: Top Rear Rail (N) is assembled on finished surface of Upper Back Panel (E).



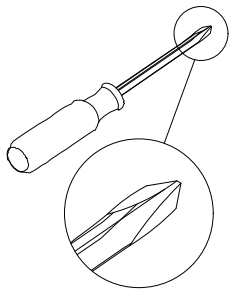
STEP 16



Press dowels into place. Gently use rubber mallet if needed.

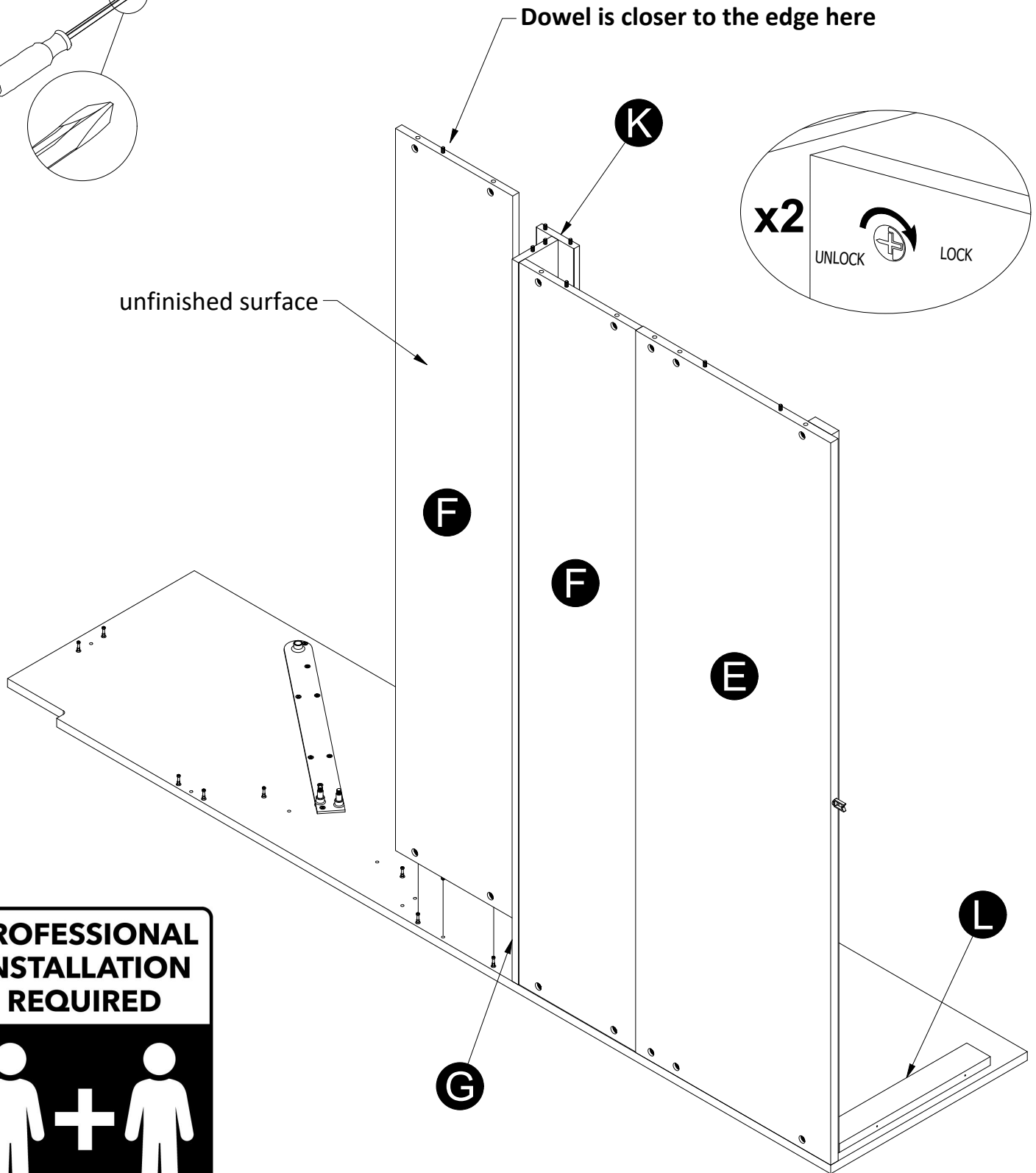


STEP 17

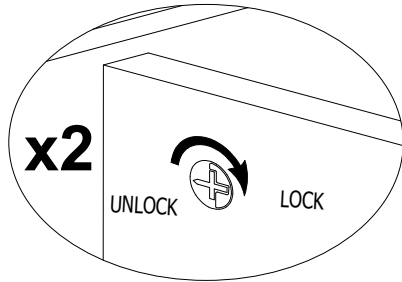
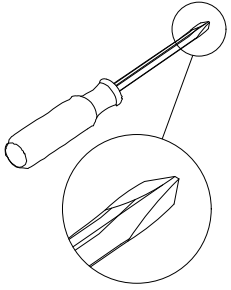


Dowel is closer to the edge here

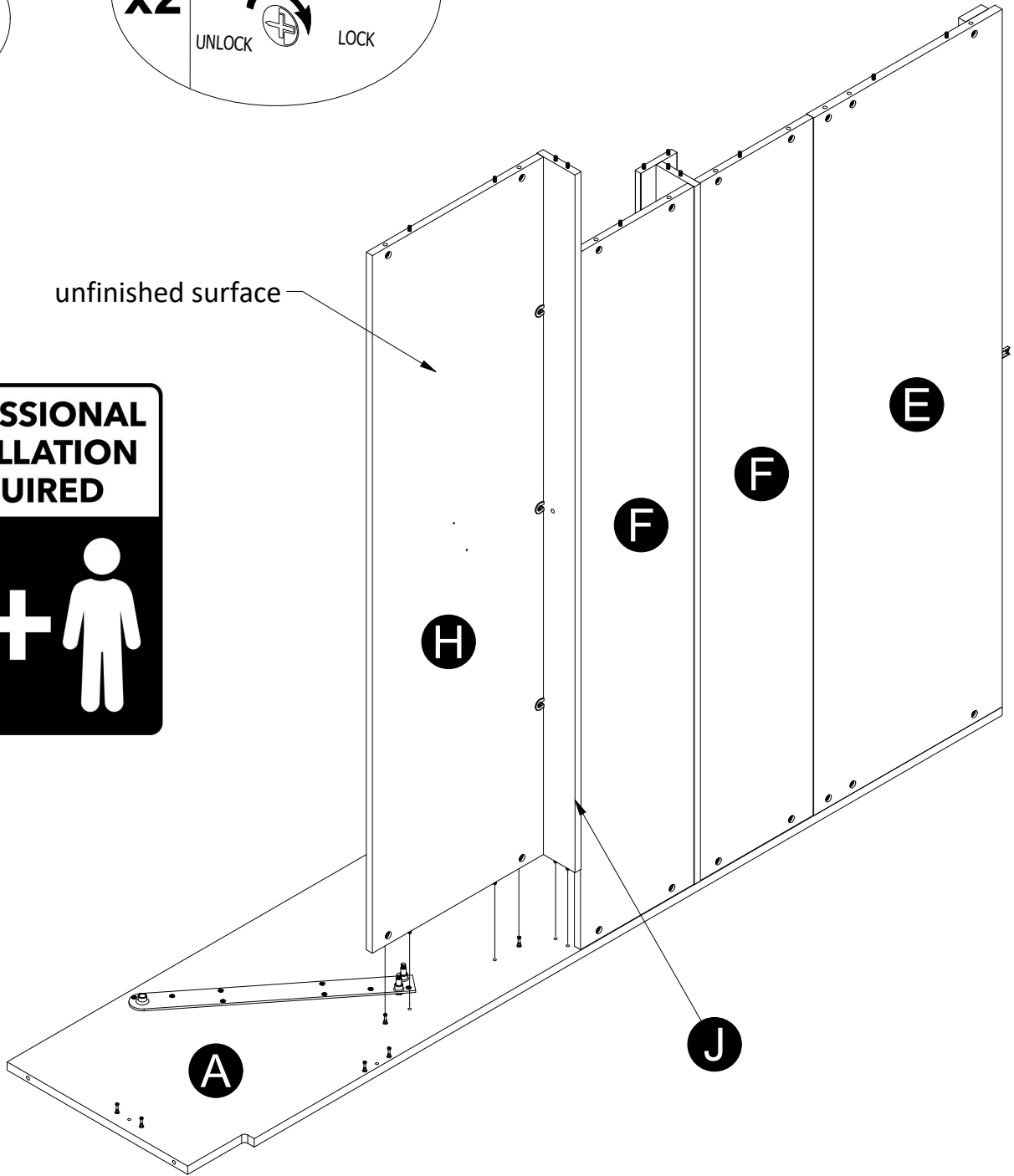
unfinished surface



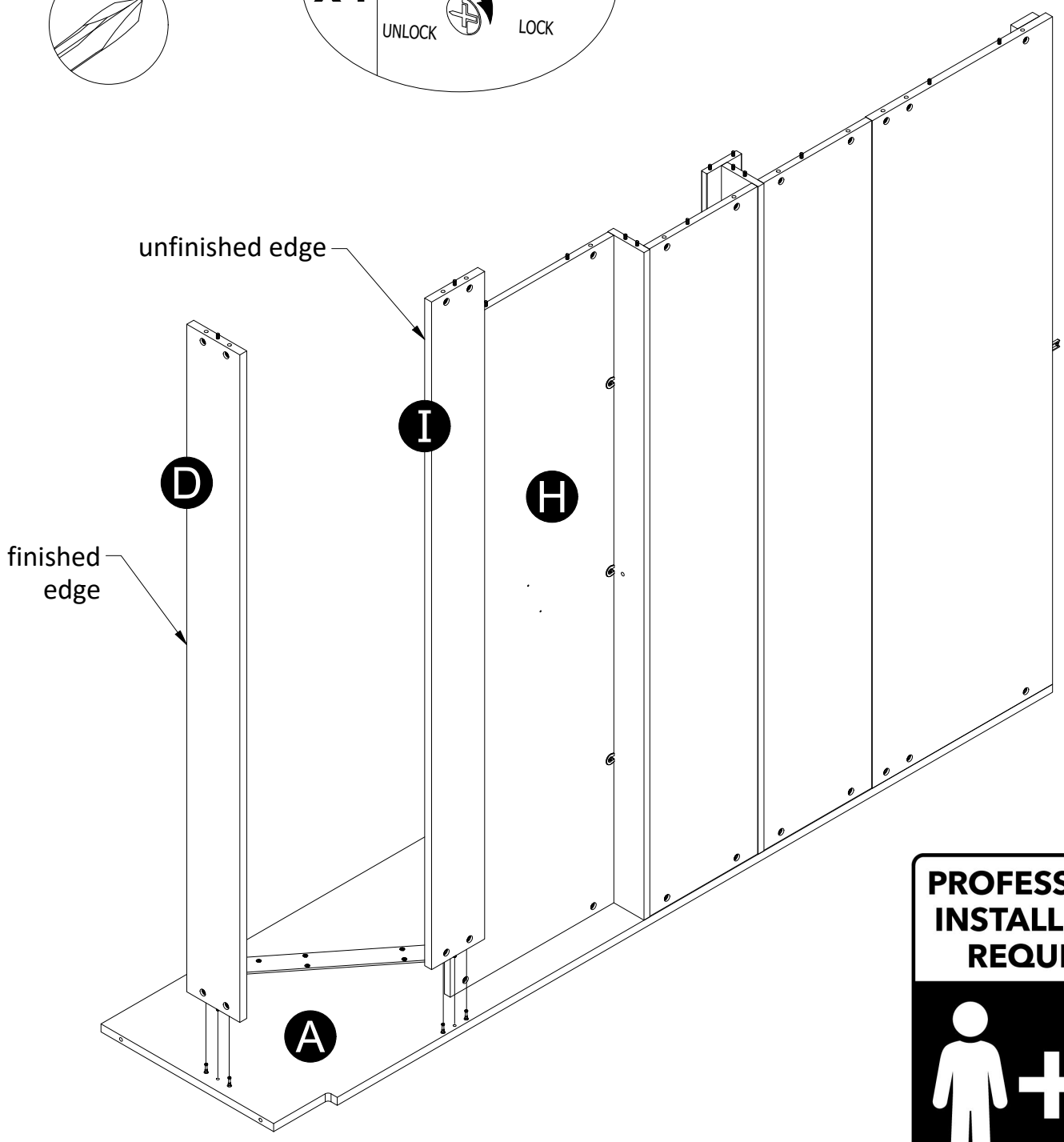
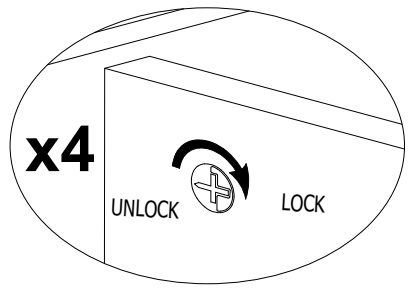
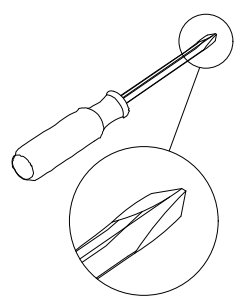
STEP 18



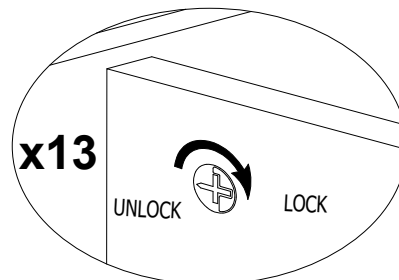
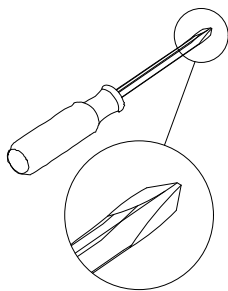
unfinished surface



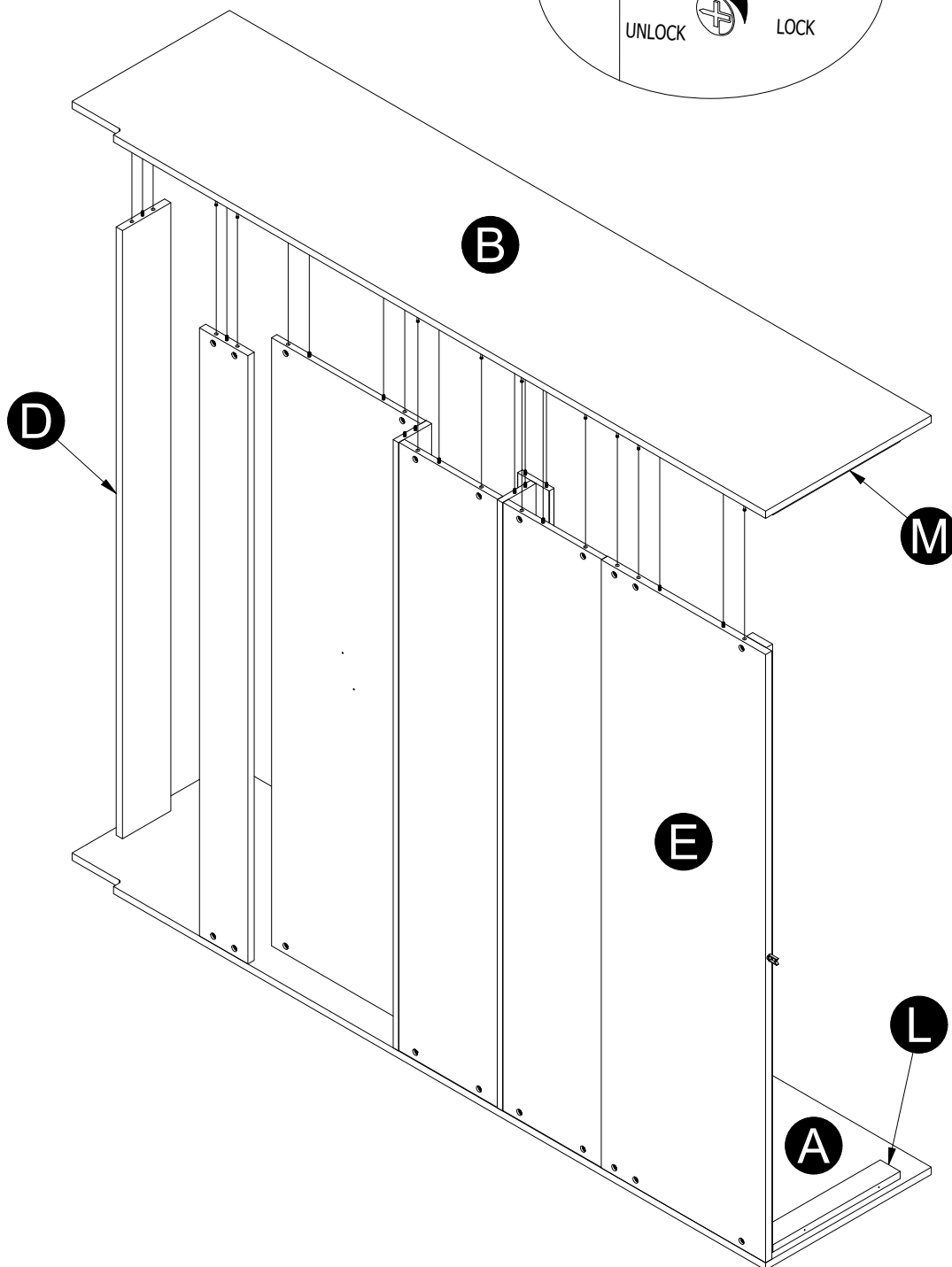
STEP 19



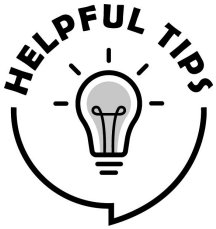
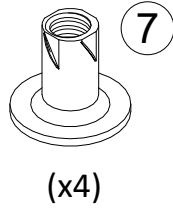
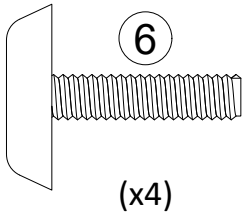
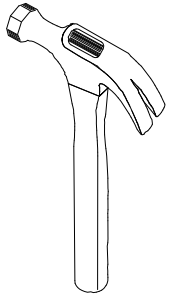
STEP 20



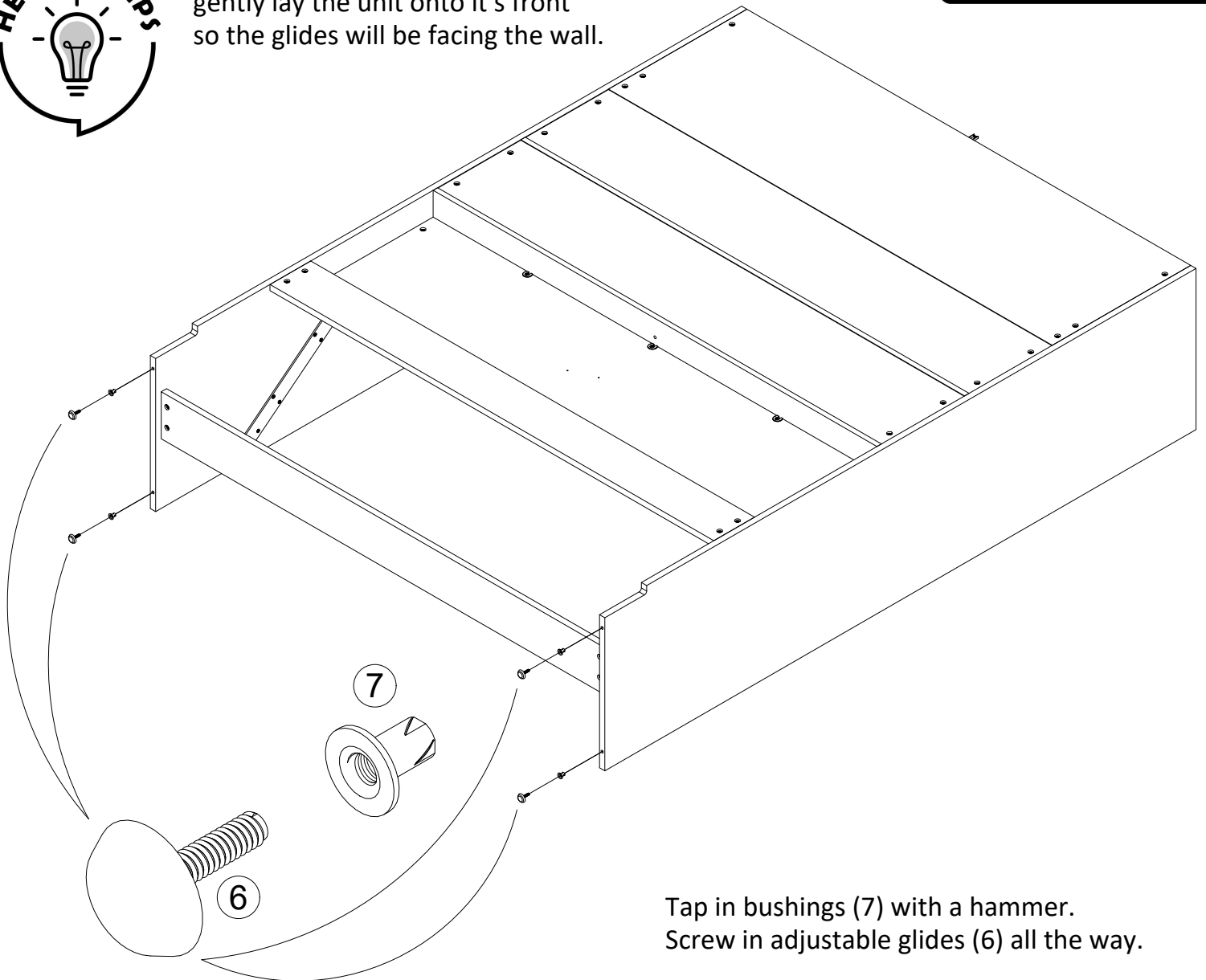
Start at one end and work your way to the other end to line parts up before locking cams



STEP 21



With the help of another person, gently lay the unit onto it's front so the glides will be facing the wall.



Tap in bushings (7) with a hammer.
Screw in adjustable glides (6) all the way.

STEP 22

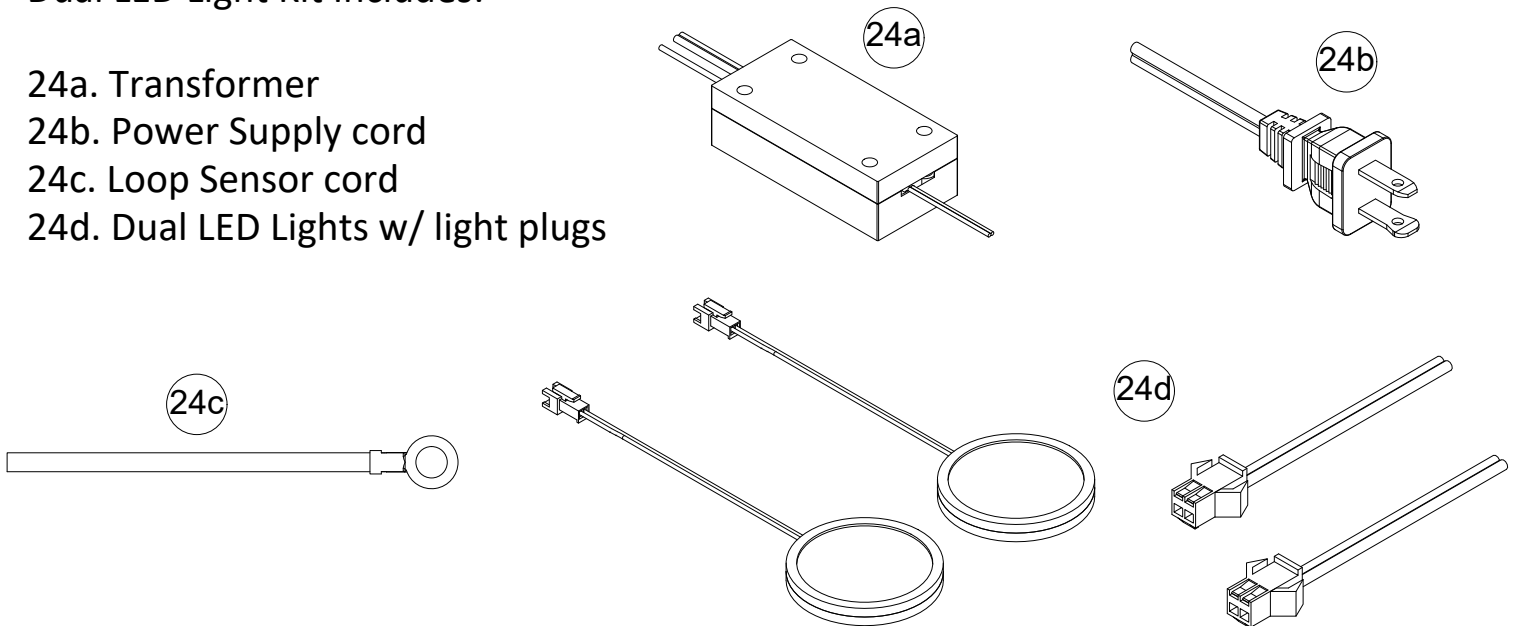
Electrical hardware

Cord length information:

1. The power supply cord is 72" from transformer to the plug's tip
2. The loop wire for the sensor disk, from the transformer is 48" to the center of the loop
3. The light wire that ends in a clip (that will eventually be connected to the light module), that wire, from the transformer is 100" to the clip
4. The light module, its wire comes out of the light disk and extends out 5" to the center of its clip

Dual LED Light Kit Includes:

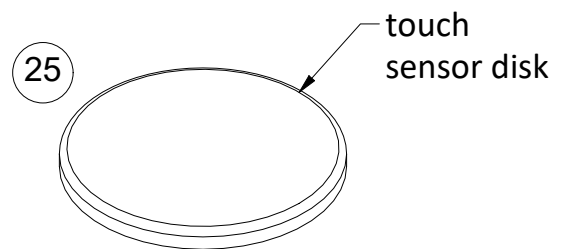
- 24a. Transformer
- 24b. Power Supply cord
- 24c. Loop Sensor cord
- 24d. Dual LED Lights w/ light plugs



Touch Sensor Disk (separately packaged)

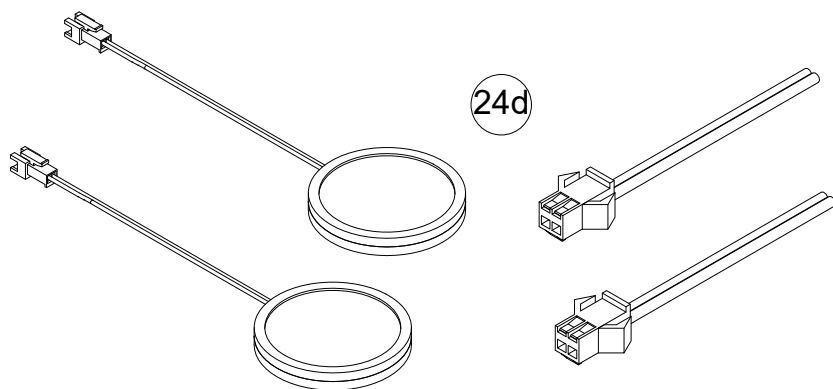
The Touch Sensor Disk has 3 brightness options.

- Touch 1 - night light
- Touch 2 - energy saver light
- Touch 3 - bright reading light
- Touch 4 - turn off



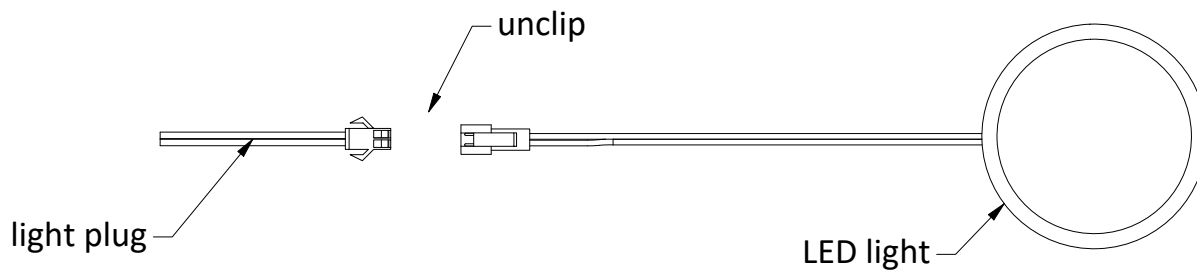
Please note: Assembly hardware aren't included in these packages. But are provided in hardware bag.

STEP 22 continued...

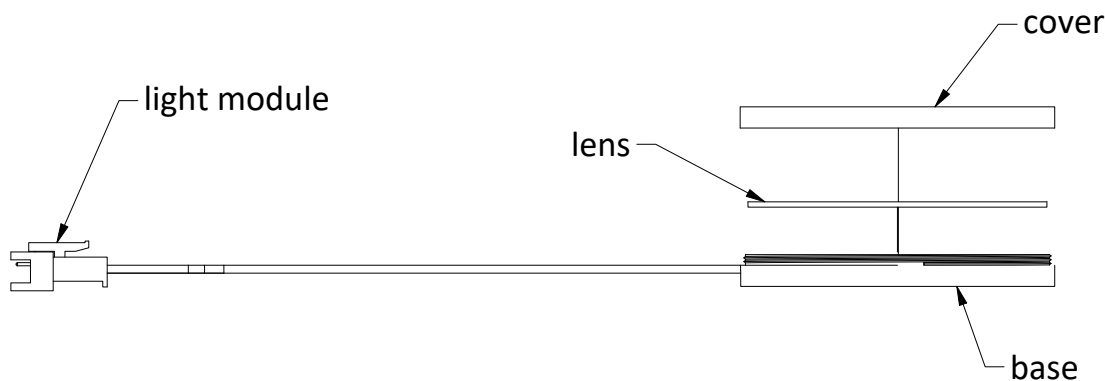


LED Light Kit Assembly

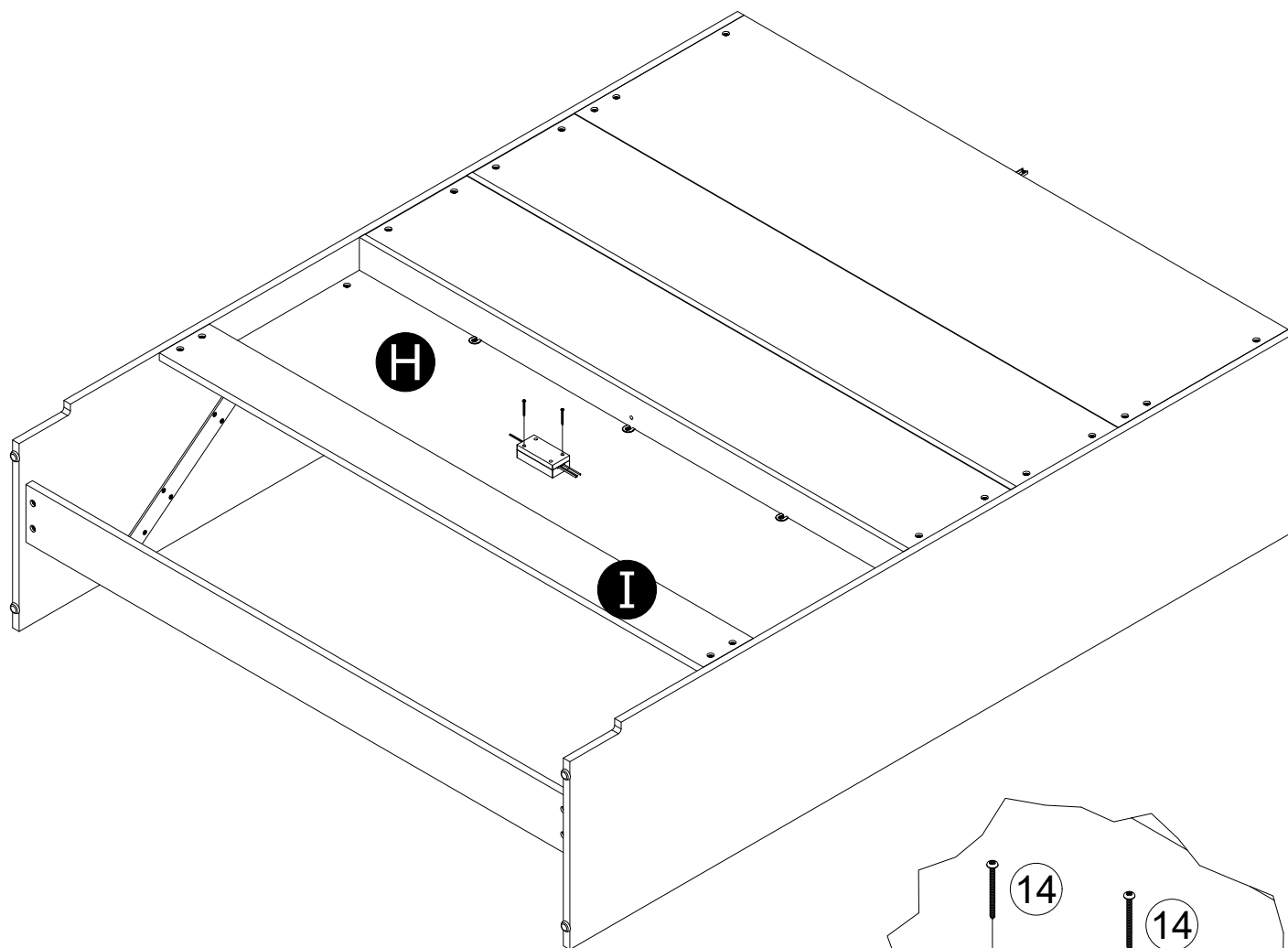
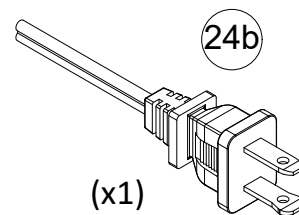
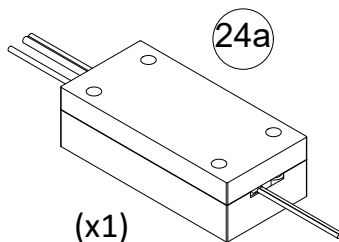
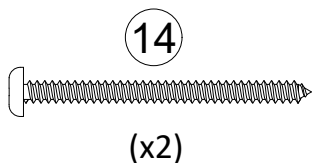
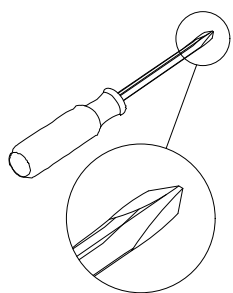
Open the package for the LED Light Kit. Everything will be assembled together. First, unclip the LED Light from the Light Plug as shown...



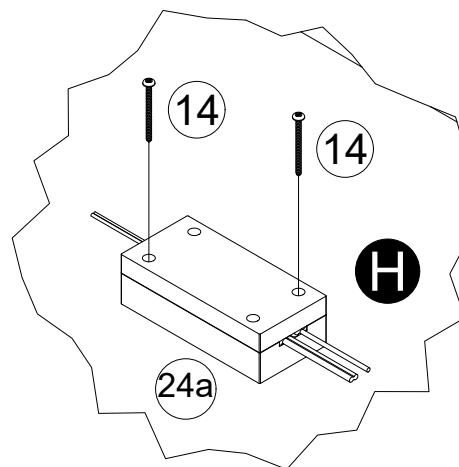
Second, you must disassemble the LED Light. Unscrew the cover off the base and then remove the lens piece. Place these pieces safely aside.



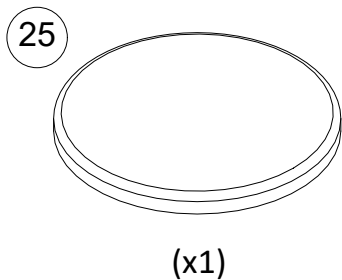
STEP 23



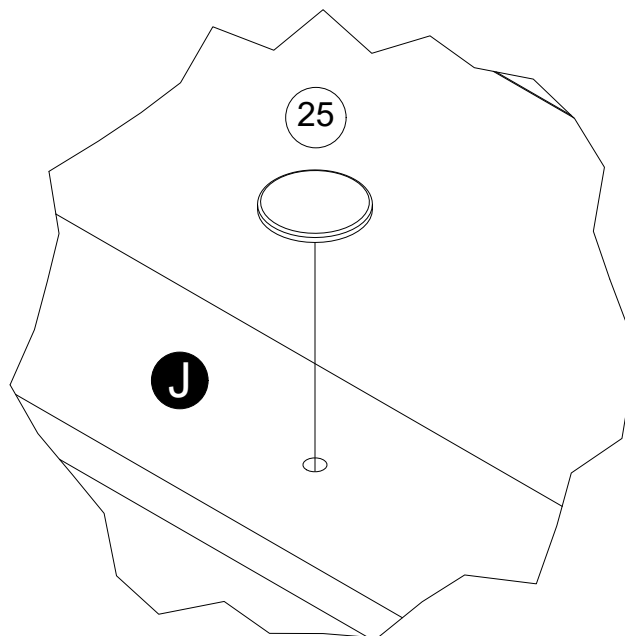
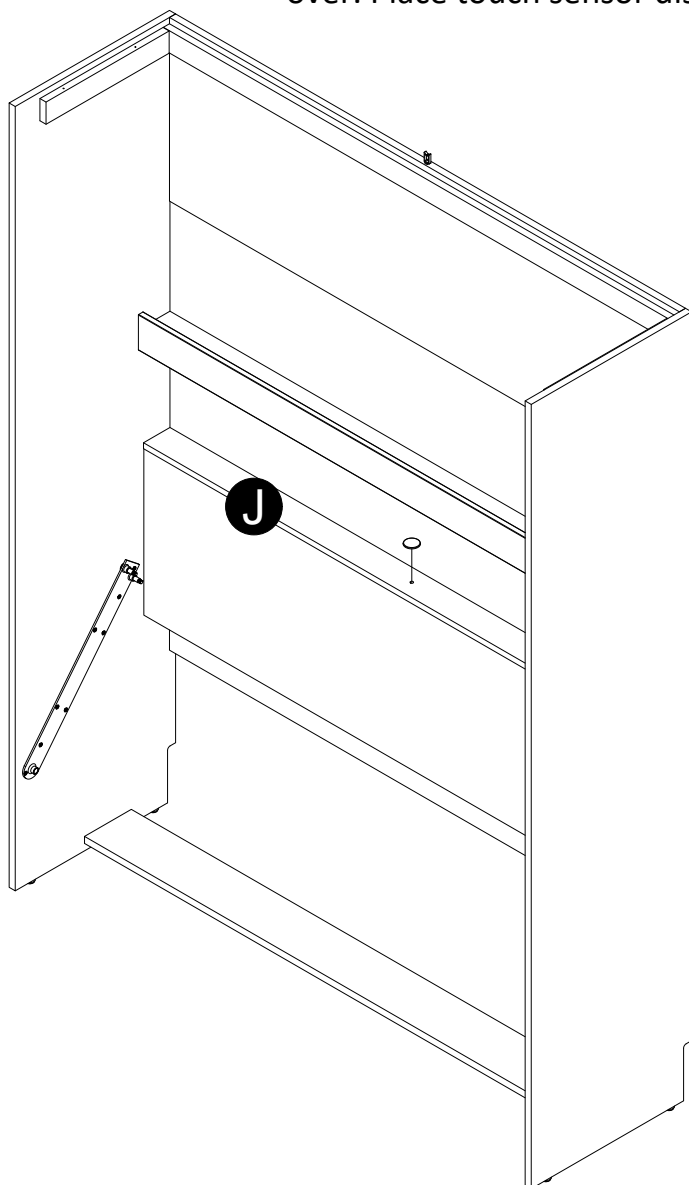
Place transformer (24a) on the Headboard Panel (H) in the location shown. Use screw (14) to attach transformer (24a). Thread the power supply plug (24b) in front of the Bottom Stringer (I) if needed for power source.



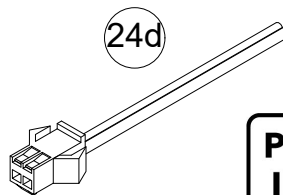
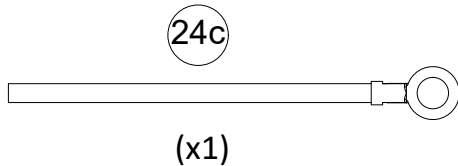
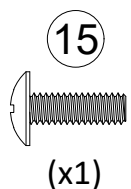
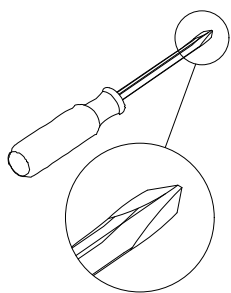
STEP 24



With the help of another person, carefully stand the unit upright. During these steps, allow another person to securely hold the unit from tipping over. Place touch sensor disk (25) in location shown in Lower Shelf (J).

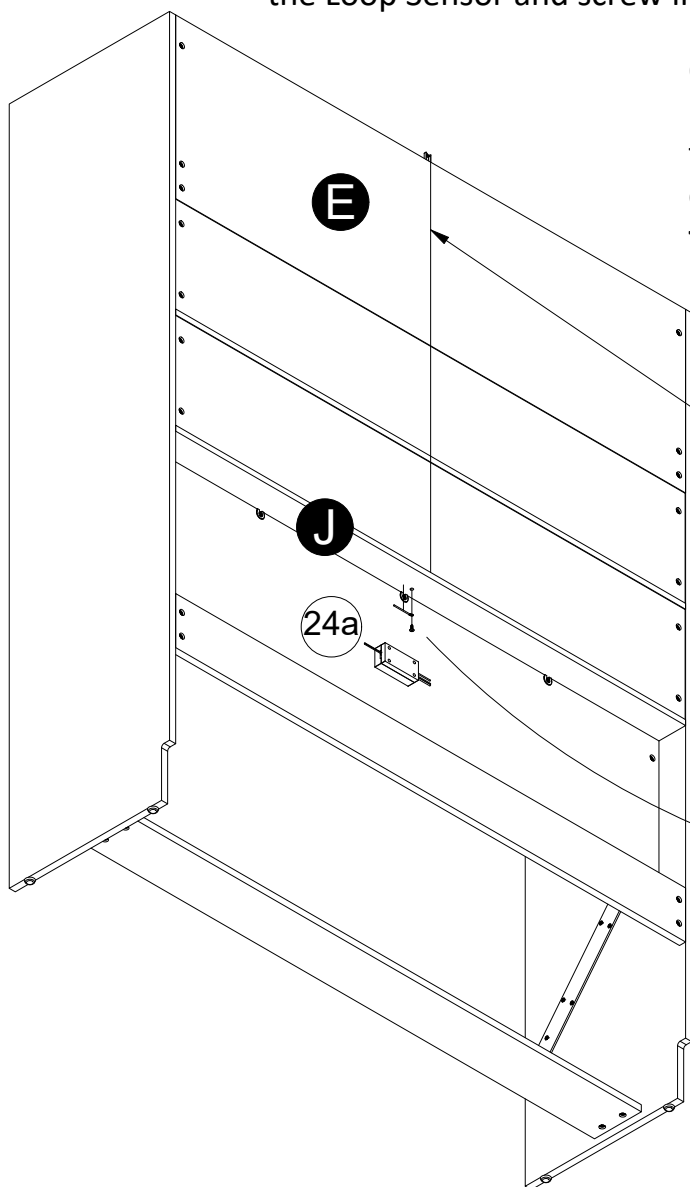


STEP 25

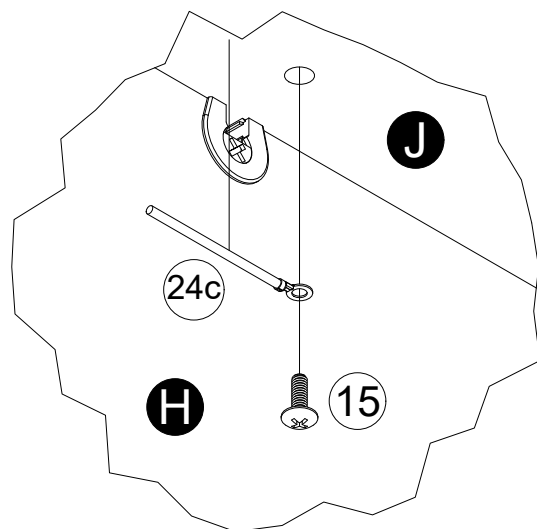
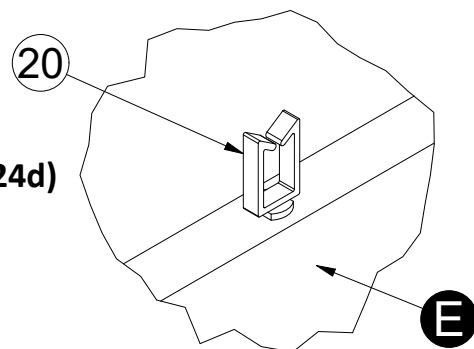


With the help of another person holding the unit steady upright, take the Loop Sensor (24c) that is connected to the Transformer (24a) and place underneath the Lower Shelf (J) at the hole location of the Touch Sensor Disk (25). Thread screw (15) through the Loop Sensor and screw into Touch Sensor Disk (25).

Once screw (15) is fully tightened, thread the light plug (24d) wires up along the back side of the unit. Thread the wires through the wire saddle (20) on the top edge of the Upper Back Panel (E). **Secure wires so they don't fall behind unit when attaching to the wall.**



light plug wires (24d)



The next steps are to assemble your unit to the wall



Assembled unit MUST be square on the height, width, and depth to function properly

Assembled unit MUST be placed flat against the wall

Assembled unit MUST be screwed into 3 DIFFERENT wall studs at the top and bottom for safety

Screws provided are for drywall and wood studs. If walls are masonry, concrete, or other wall materials: Use appropriate hardware to securely attach your unit to the wall

DO NOT use wall anchors to fasten your unit to the wall

Relocation isn't suggested after assembly!

STEP 26



With the help of another person, place your unit **FLUSH** against the wall

Be sure the light plug wires (24d) are secure in the wire saddle (20) located on Upper Back Panel (E).

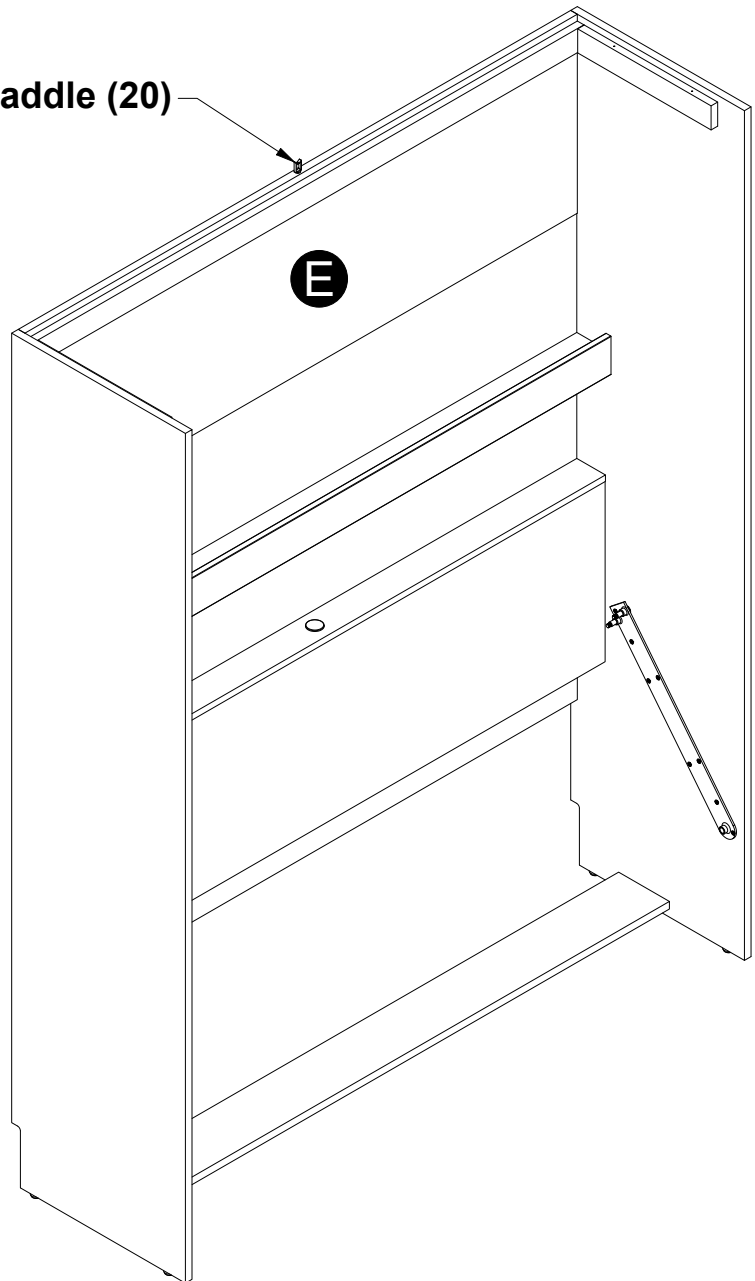


Do NOT cut into bed!

There are notches provided at the back of your unit. These notches are to fit around the baseboard on your wall. If your baseboard is higher or thicker than the notches provided on the unit, you will need to remove the baseboard, cut it down to fit on both sides of your unit, then refasten to the wall.

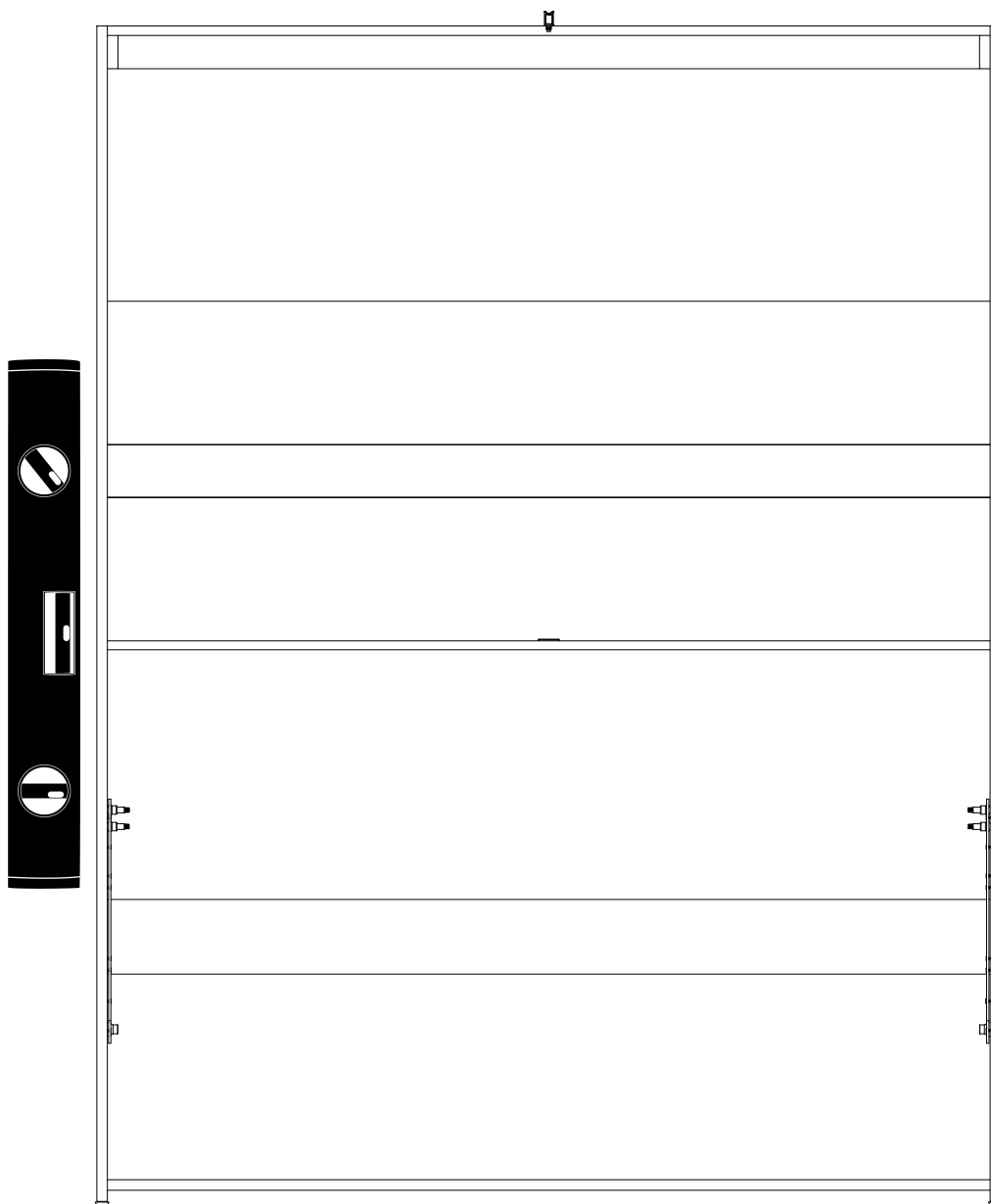


wire saddle (20)



STEP 27

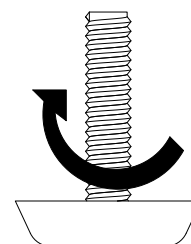
Assembled unit **MUST** be flush on the height, width, and depth to function properly



A step ladder will be required. Do not lean against the top of the unit, it may cause sagging



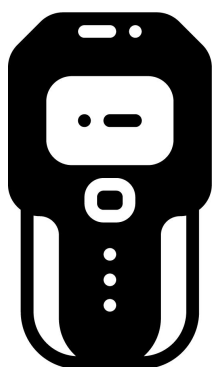
If required, unscrew the Glides counter-clockwise as necessary in all four corners until your unit is level in all directions



STEP 28

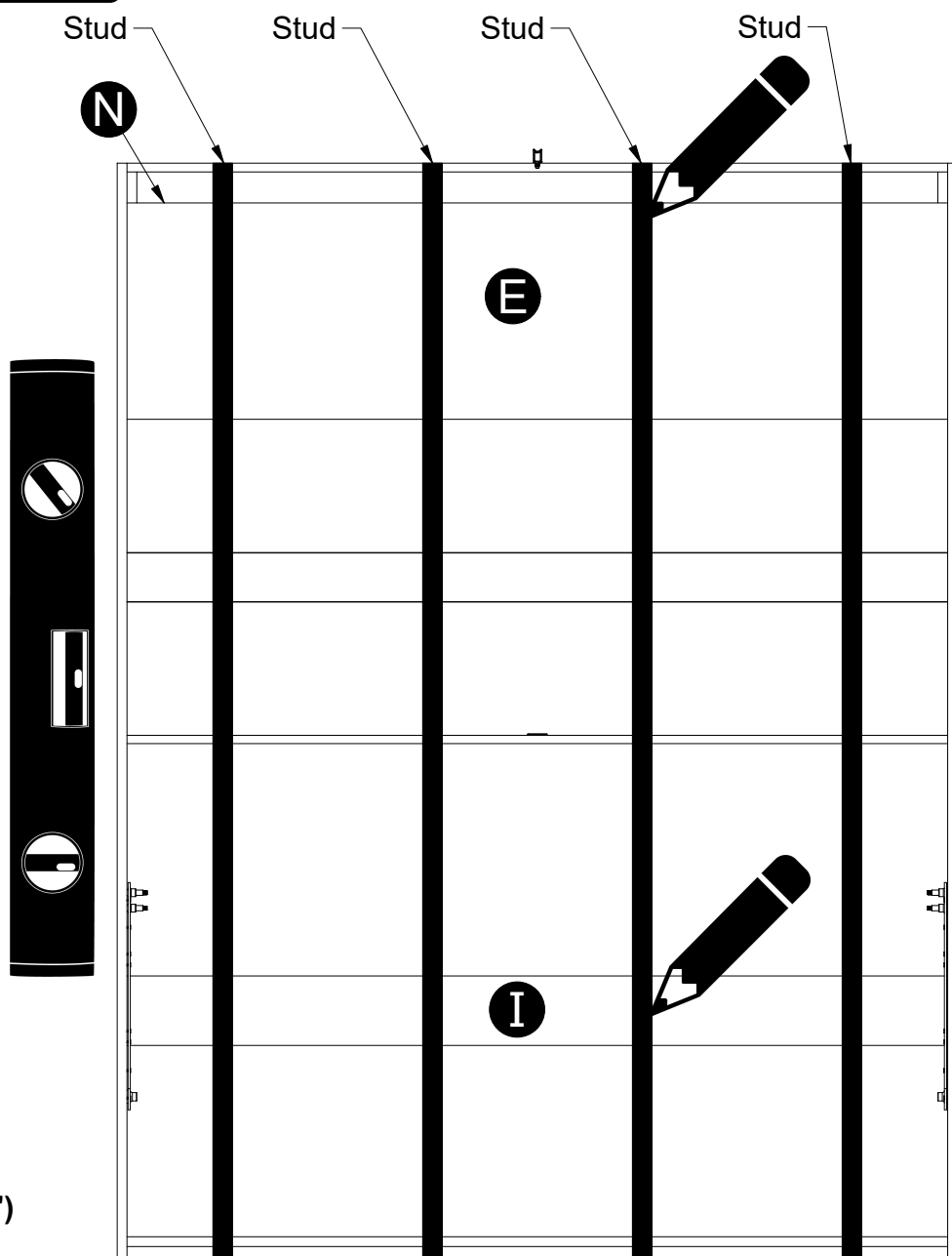


You need to locate at least 3 DIFFERENT studs, in the horizontal direction, but 4 is better.



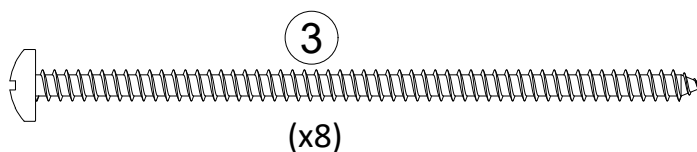
Locate the studs in the wall, using a stud finder. Using a pencil, mark the stud locations on the upper surface of the Upper Back Panel (E) just under the Top Rear Rail (N). Using a level, carry the stud locations down to the Bottom Stringer (I), and with a pencil, mark the stud locations.

A step ladder will be required. Do not lean against the top of the unit, it may cause sagging



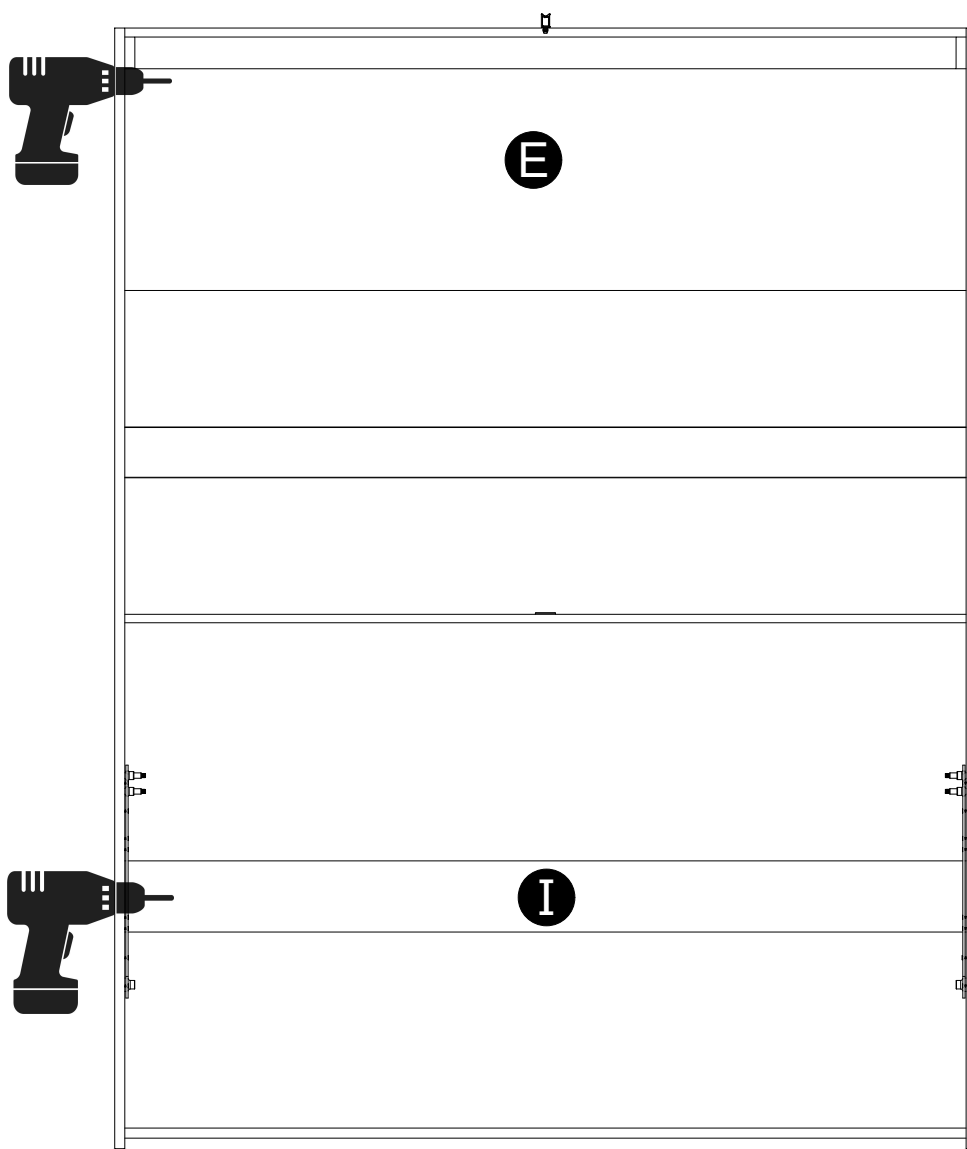
Average distance between studs (16")

STEP 29



First, make sure that your unit is still level in all directions.

Drill 1/8" (3mm) pilot holes through the Upper Back Panel (E) and Bottom Stringer (I) at the stud locator marks. Fasten the unit to the studs in the wall with the screws (3).



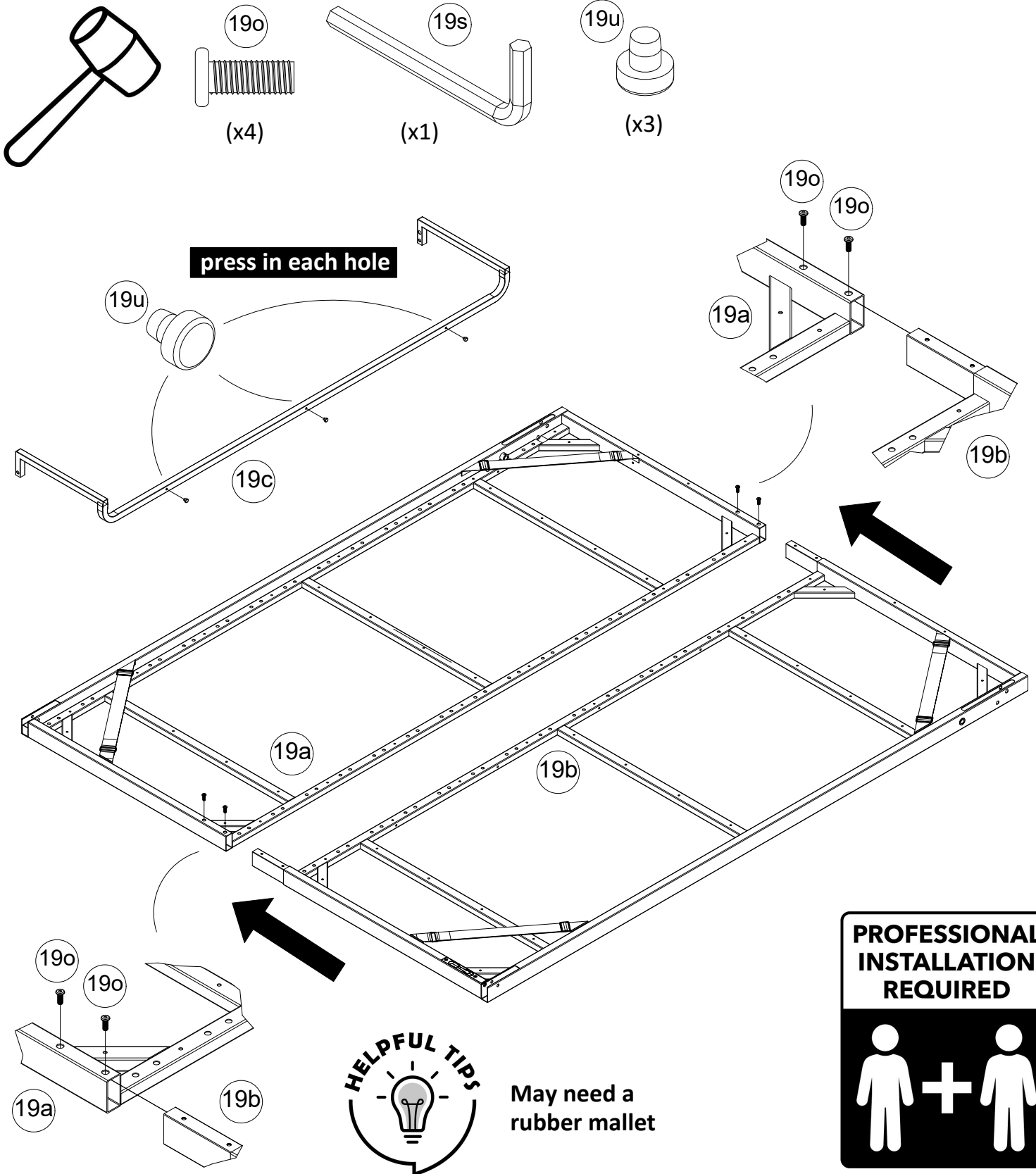
A step ladder will be required. Do not lean against the top of the unit, it may cause sagging



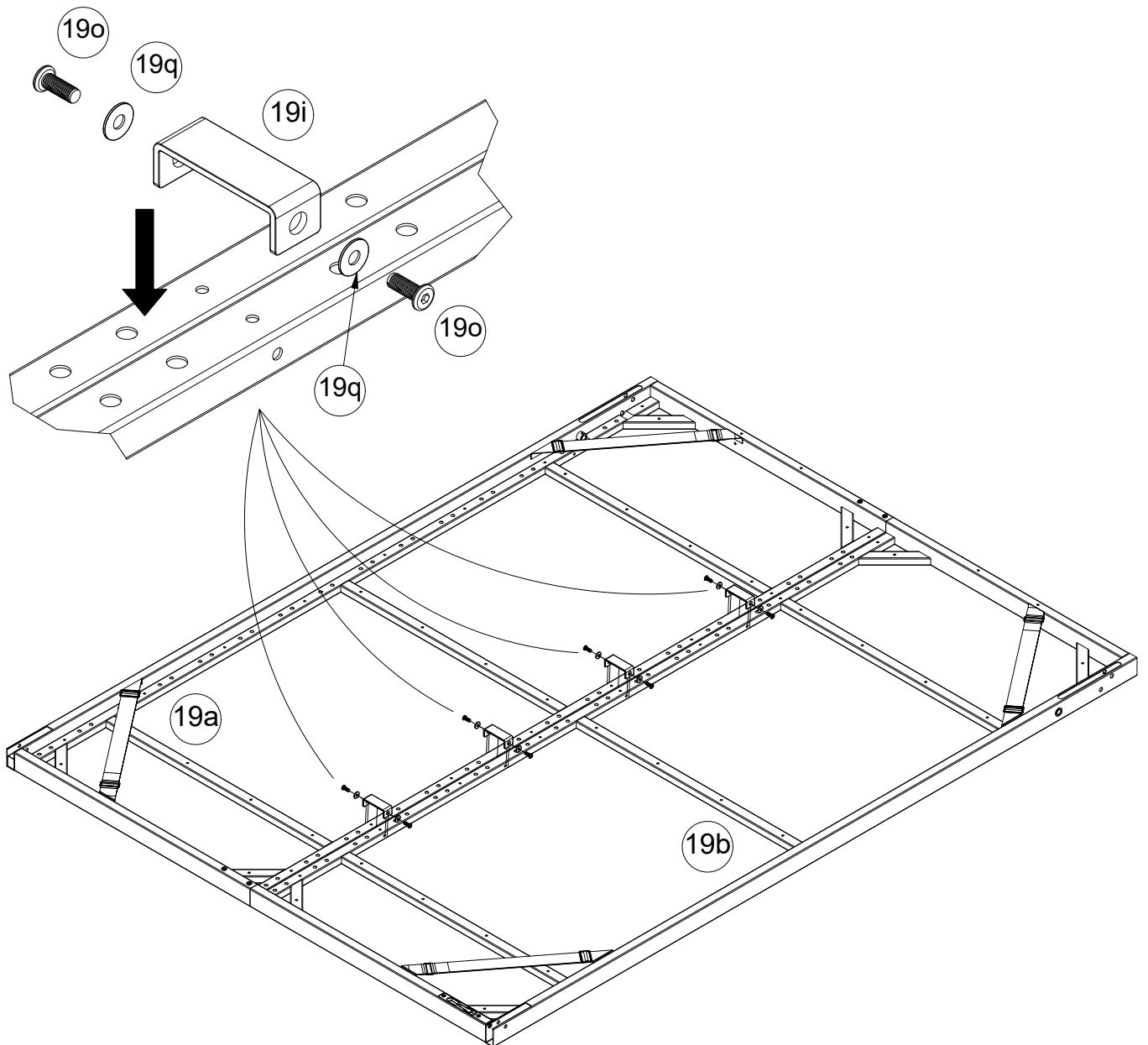
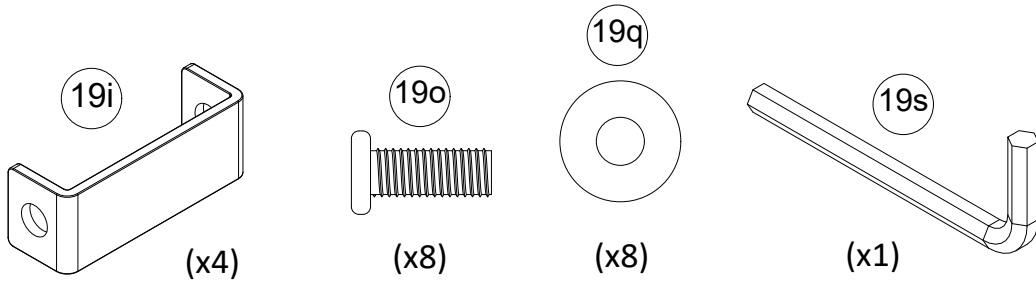
**The next steps are to assemble the metal bed
frame and mechanism**

**These parts are located in the #9632096COM
Wall Bed Mechanism Carton**

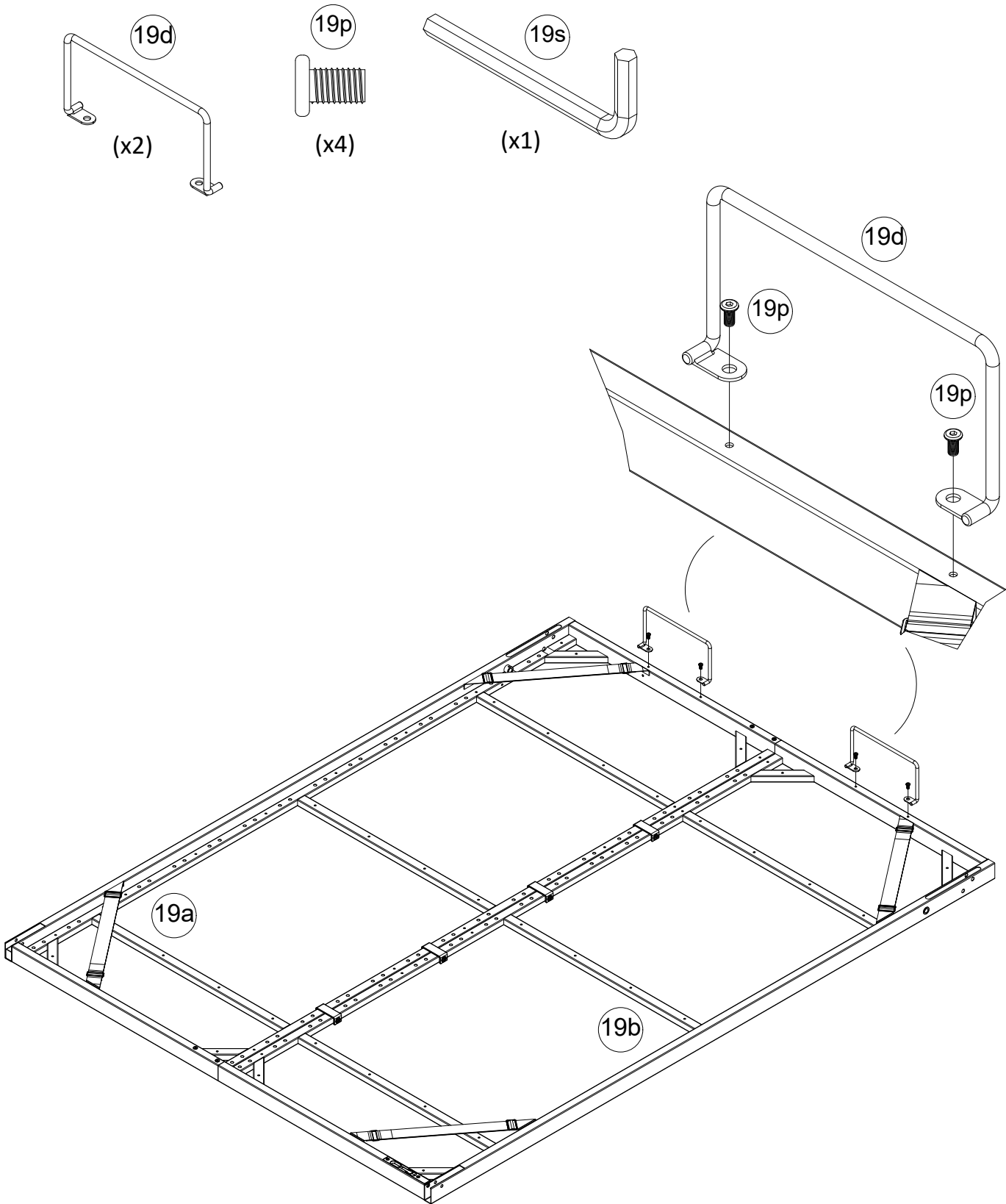
STEP 30



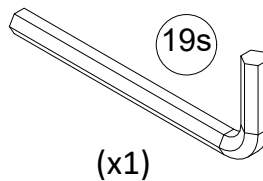
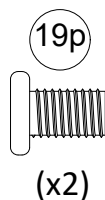
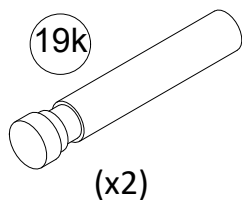
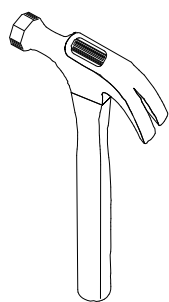
STEP 31



STEP 32



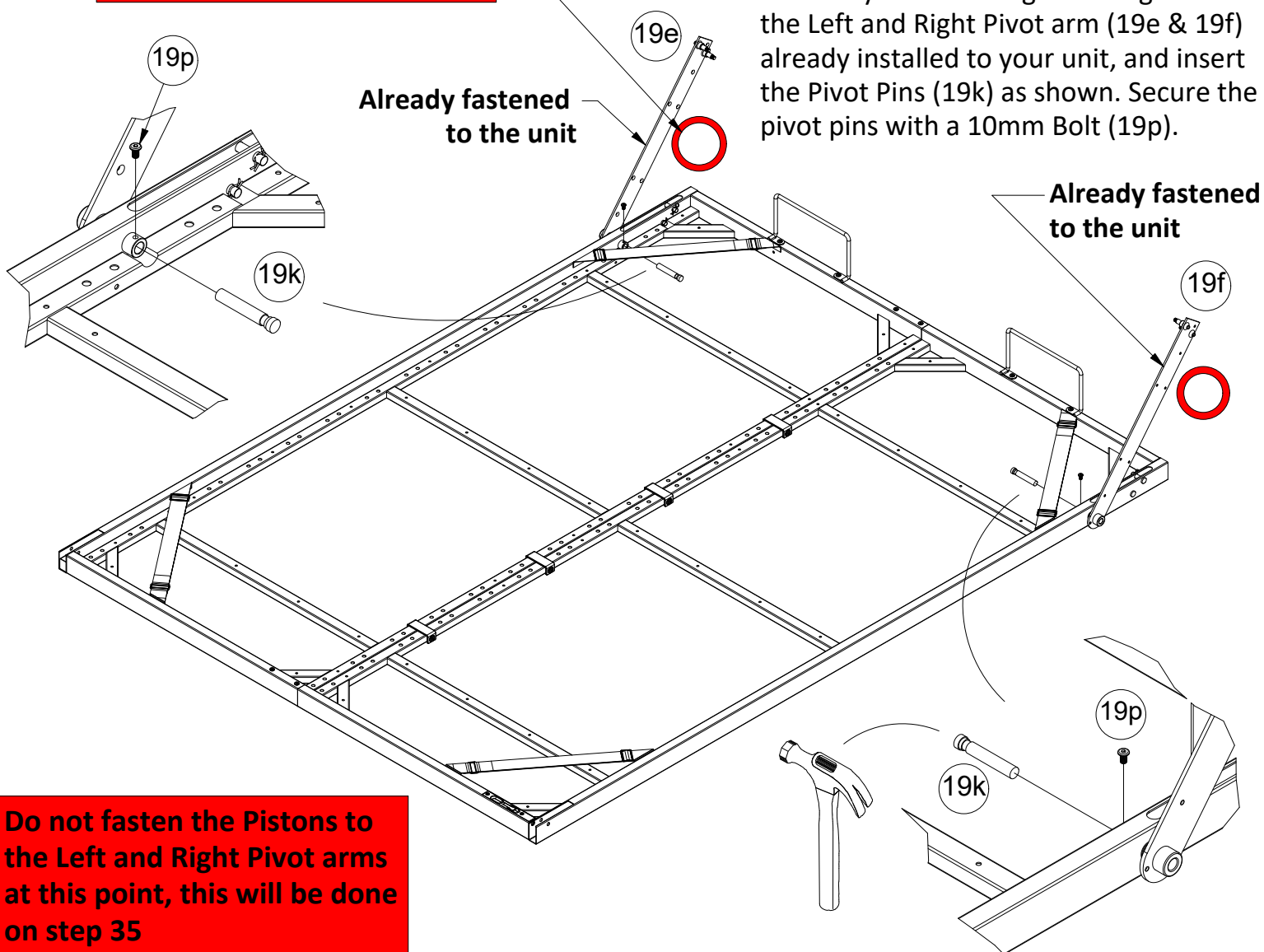
STEP 34



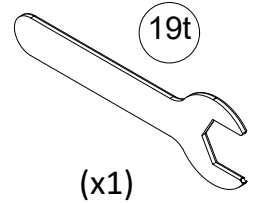
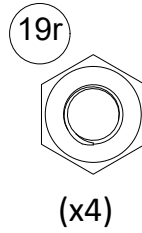
The cabinet is not shown to allow a clear view of the bed frame assembly

Pistons have been removed from image to better view step

With a person on each side, lift the bed mechanism, line up the holes of the Bed Assembly with the large bushing hole of the Left and Right Pivot arm (19e & 19f) already installed to your unit, and insert the Pivot Pins (19k) as shown. Secure the pivot pins with a 10mm Bolt (19p).

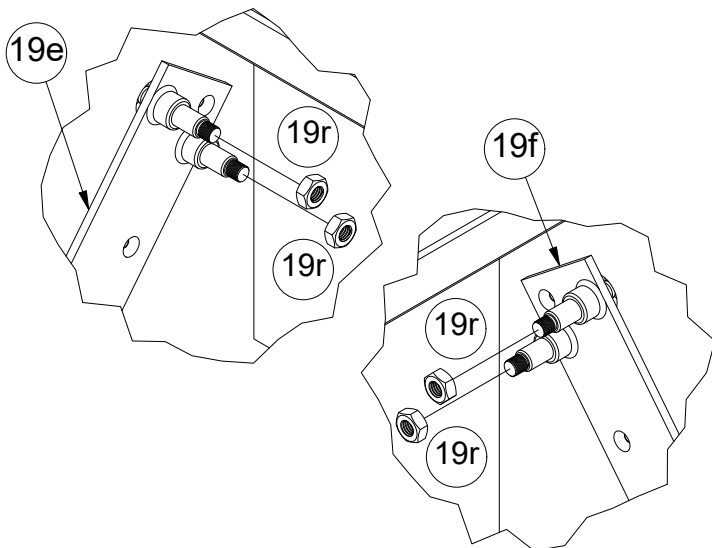
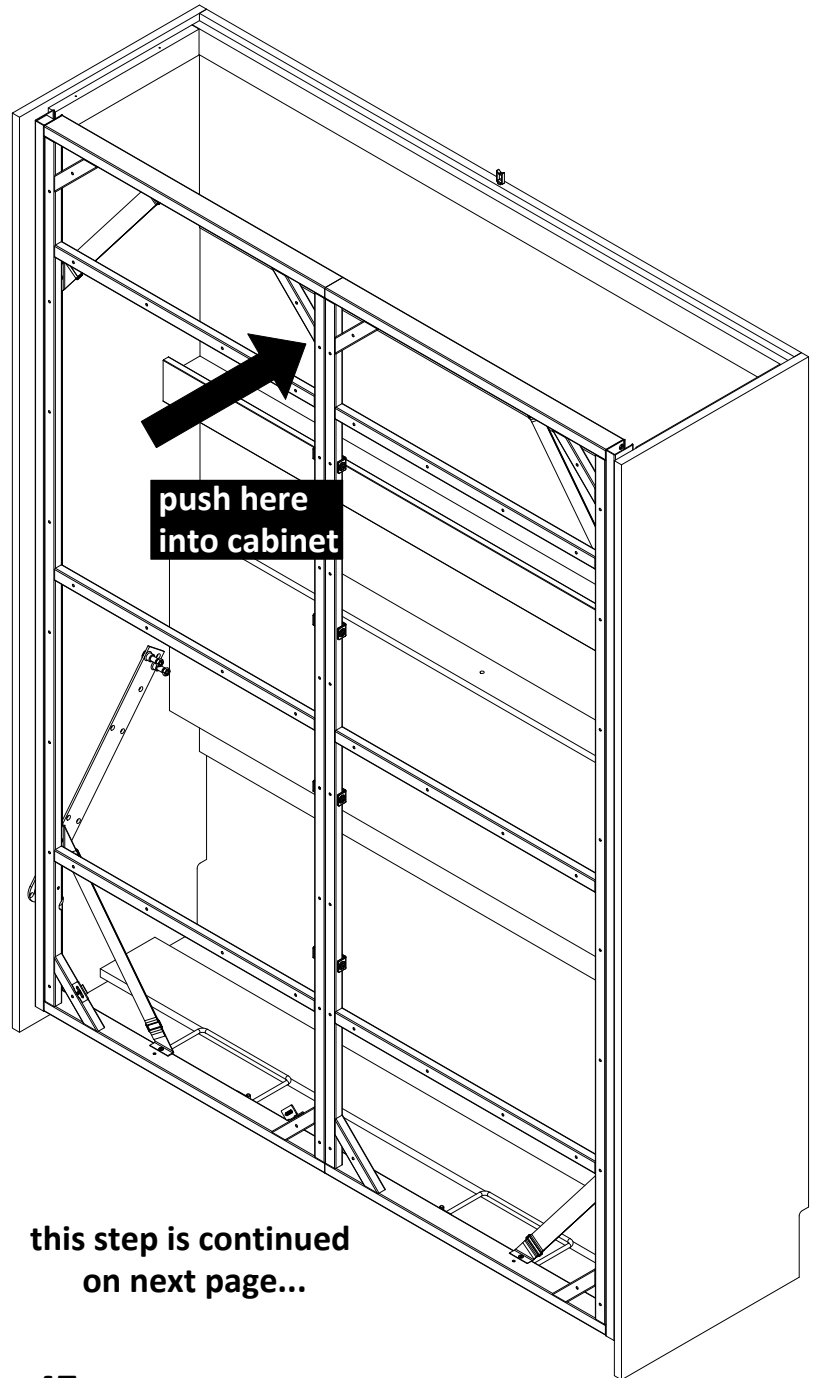


STEP 35



With a person on each side, carefully lift the bed frame in the closed position. While one person pushes the bed frame into the cabinet, passed the 90 degrees, the other person is to engage the "front" Gas Piston (19h) on each side of the unit, to the front pin of the Left and Right Pivot Arm (19e & 19f). Then tightly secure with two Nuts (19r).

To engage the "rear" Gas Piston (19h) on each side of the unit, slowly and carefully wiggle the bed frame back and forth until you can insert the Gas Pistons (19h) onto the rear pin of the Left and Right Pivot Arm (19e & 19f). Then tightly secure with two Nuts (19r).



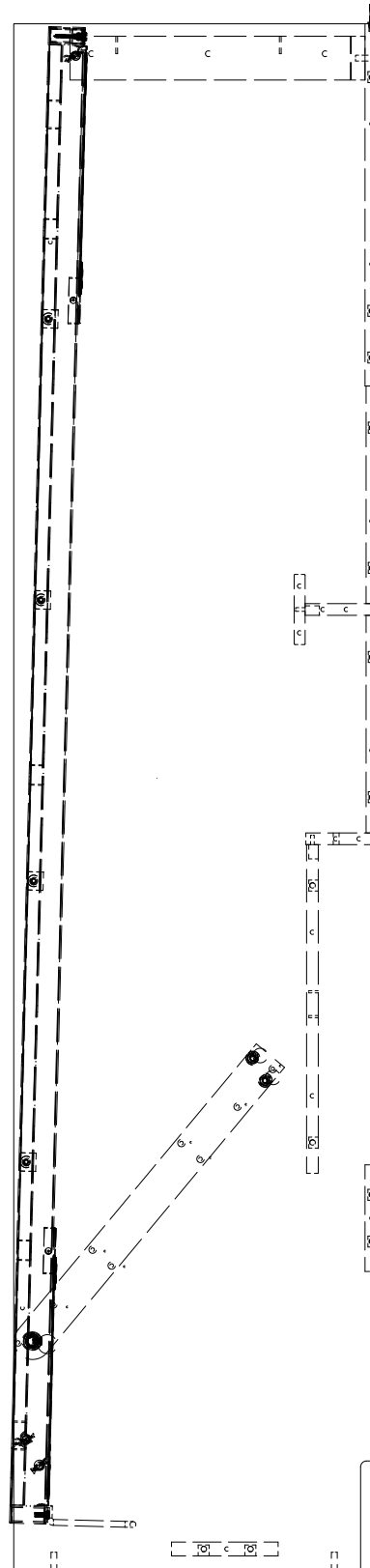
this step is continued on next page...

STEP 35 continued...

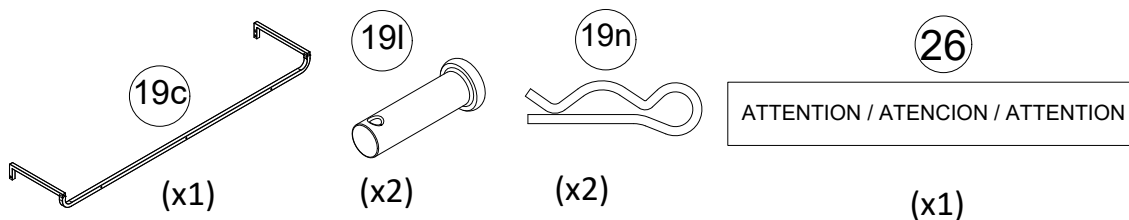


Image is showing the bed frame pushed into the cabinet, passed 90 degrees.

Please note: it is normal to see the bed frame in this state prior to the gas pistons being installed.

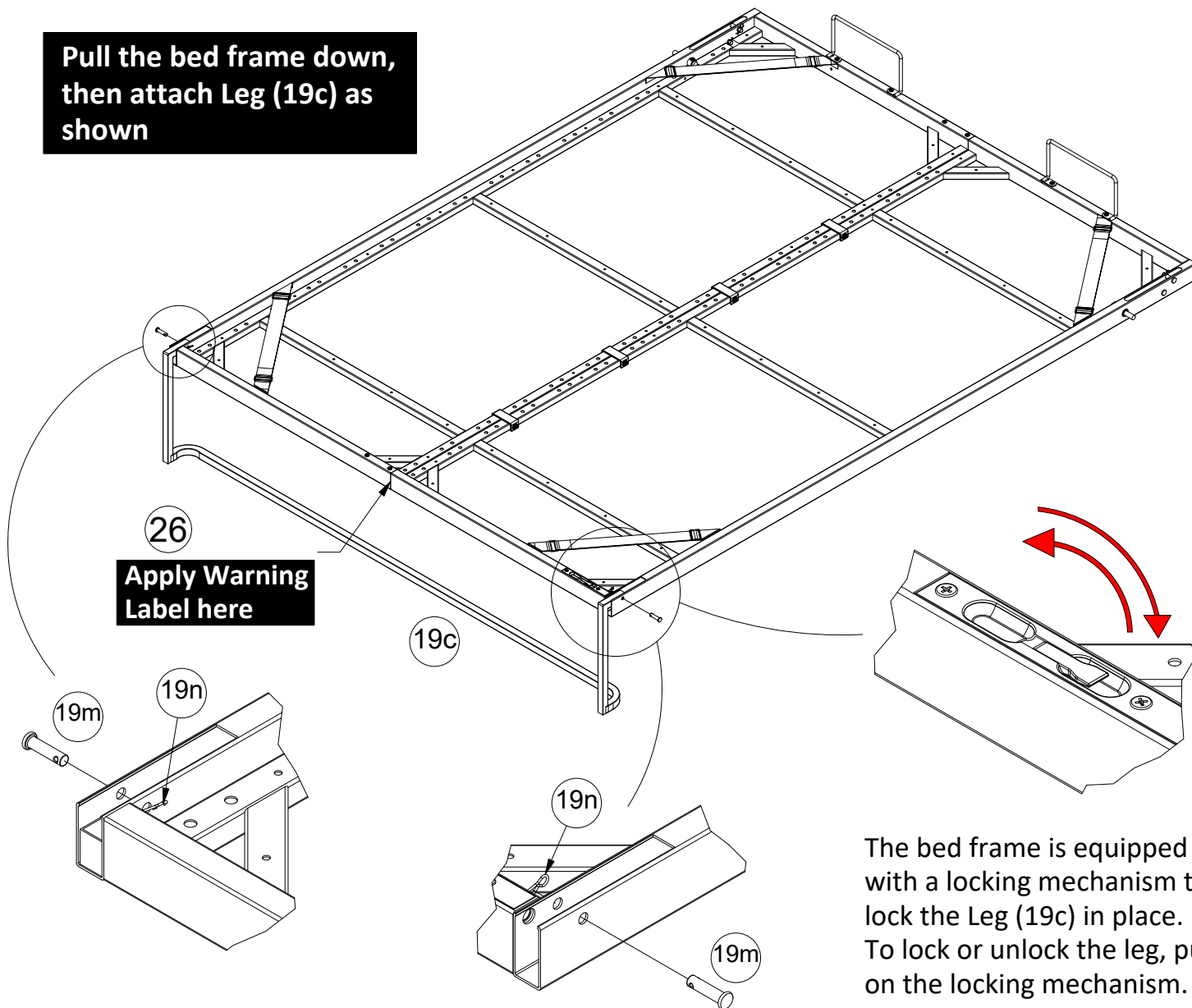


STEP 36



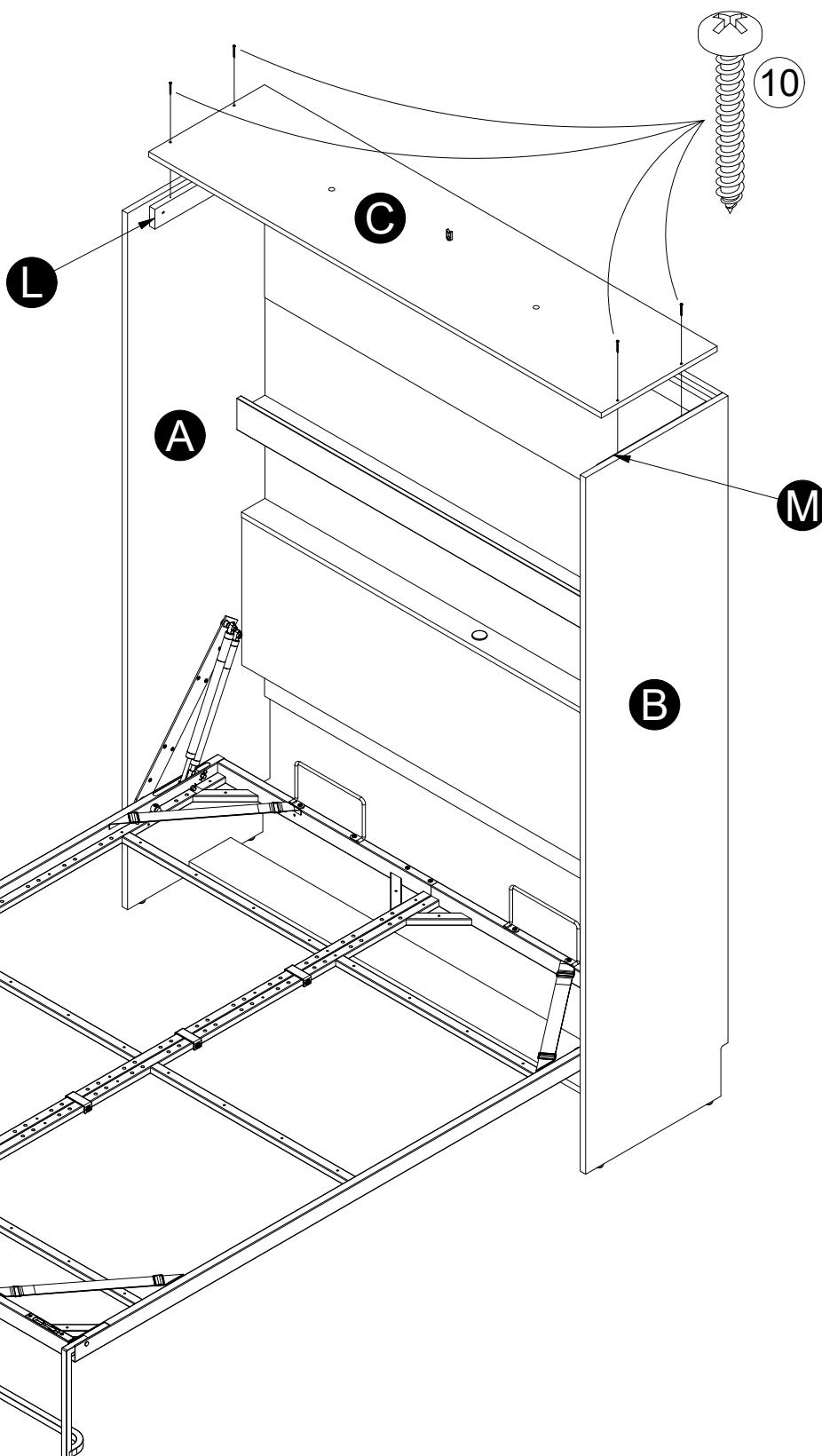
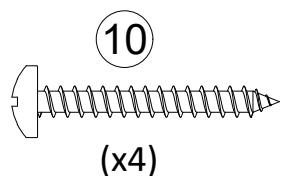
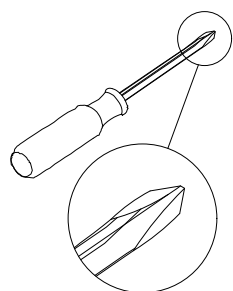
The cabinet is not shown to allow a clear view of the bed frame assembly

Pull the bed frame down, then attach Leg (19c) as shown



The bed frame is equipped with a locking mechanism to lock the Leg (19c) in place. To lock or unlock the leg, pull on the locking mechanism.

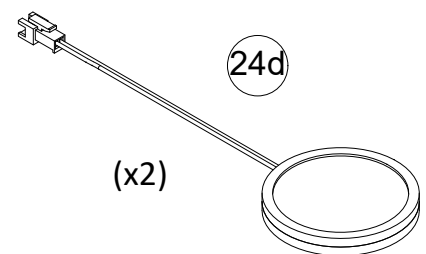
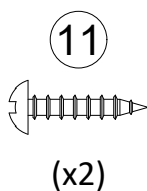
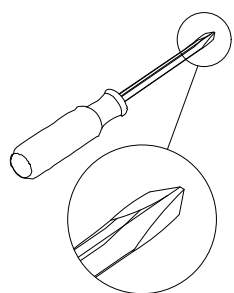
STEP 37



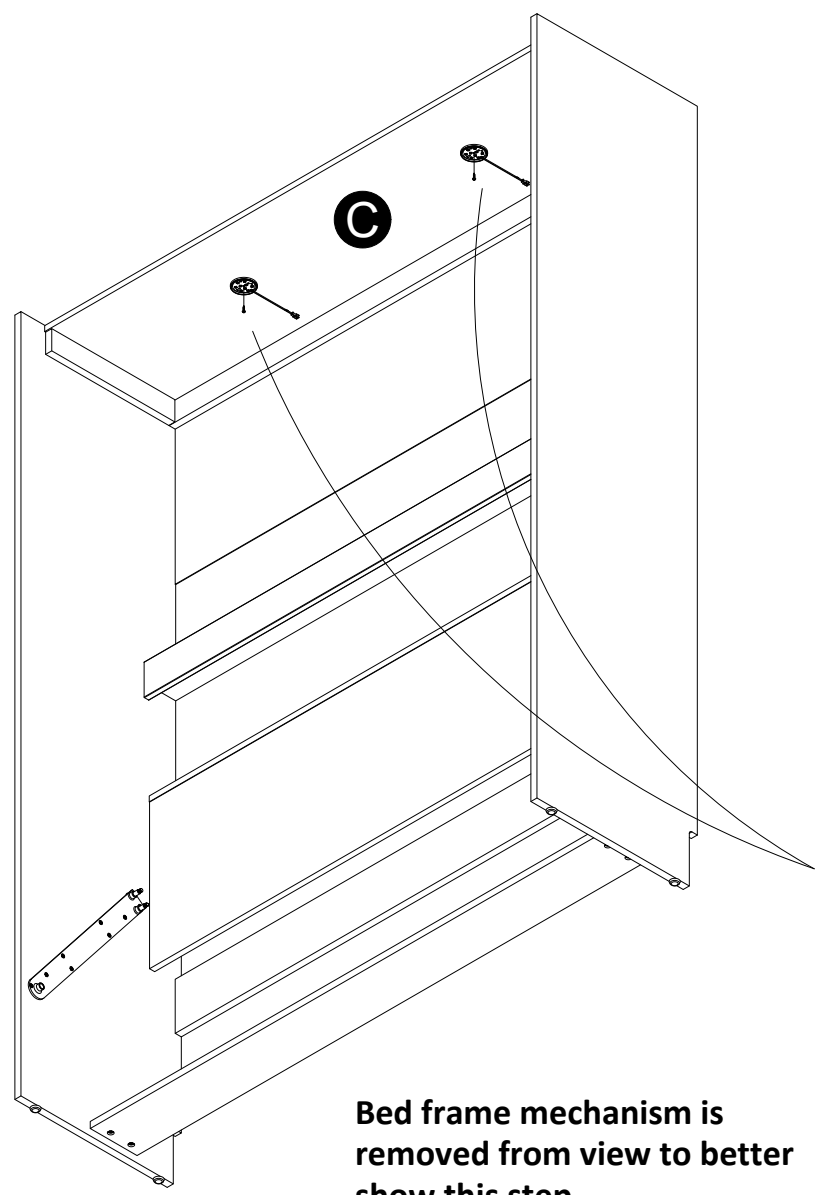
A step ladder will be required for this step.

With the help from another person, carefully place the Top (C) onto the Left Side Rail (L), Right Side Rail (M) and Top Rear Rail (N). Use screw (10) as shown.

STEP 38



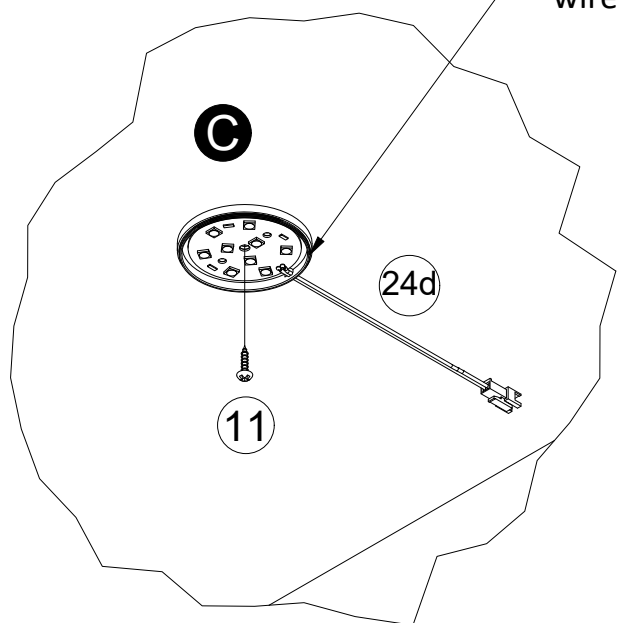
A step ladder will be required for this step. With the help of another person, assemble the disassembled LED lights (24d) to the Top (C) with screw (11). Thread the LED lights (24d) wires through the holes provided in Top (C) to allow the wires to be placed on top of the Top (C).



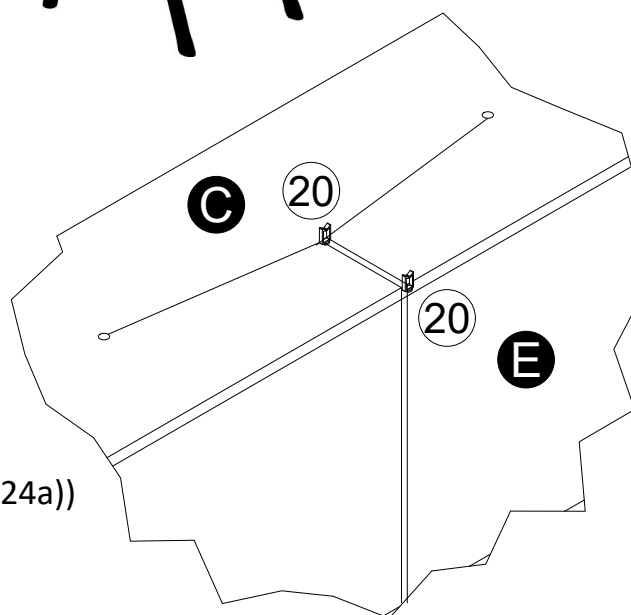
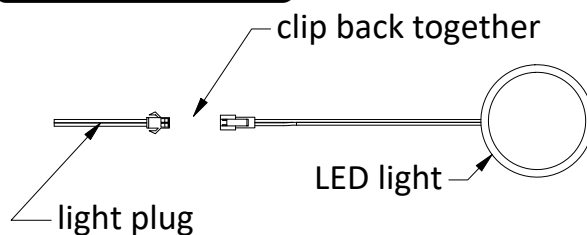
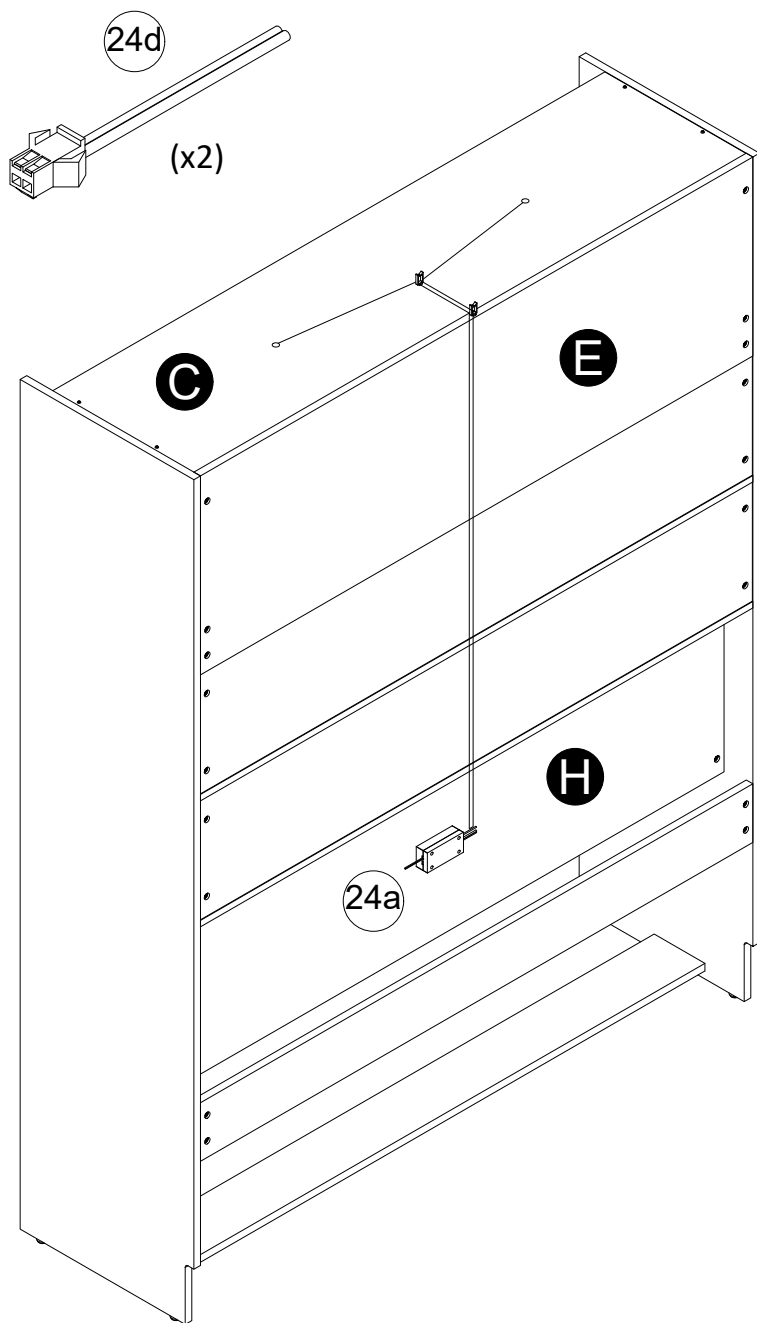
Bed frame mechanism is removed from view to better show this step



hole for wire



STEP 39

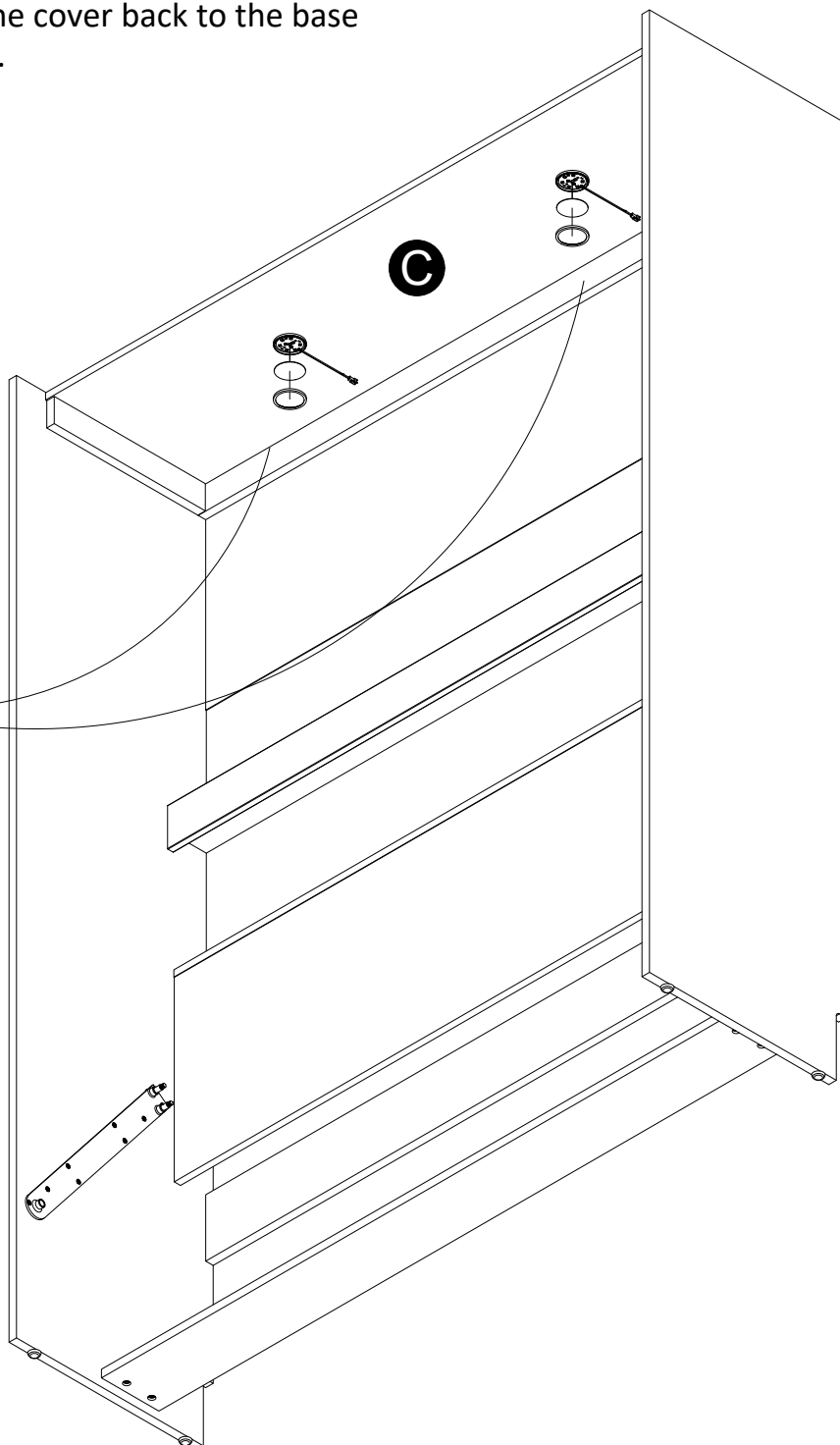
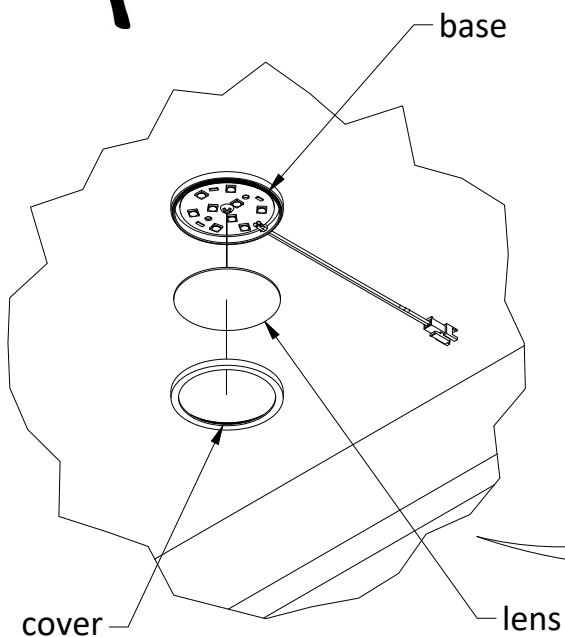


With the help of another person, feed the LED light wires through the wire saddle (20) in the Top (C) and through the one on the top edge of the Upper Back Panel (E) if needed. Clip the Light Plugs (24d) (that is fixated into the transformer (24a)) back into the LED light wires.

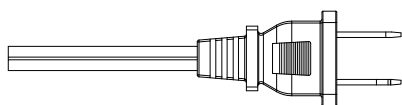
STEP 40



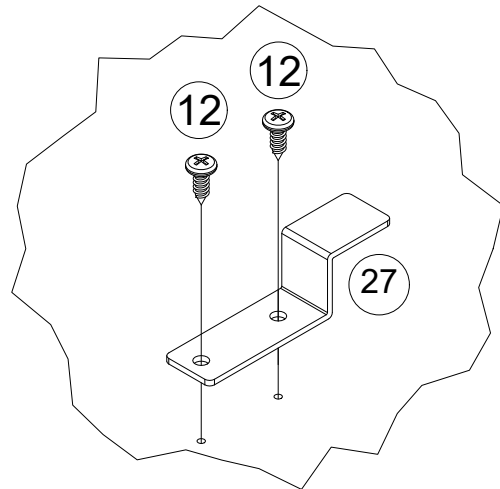
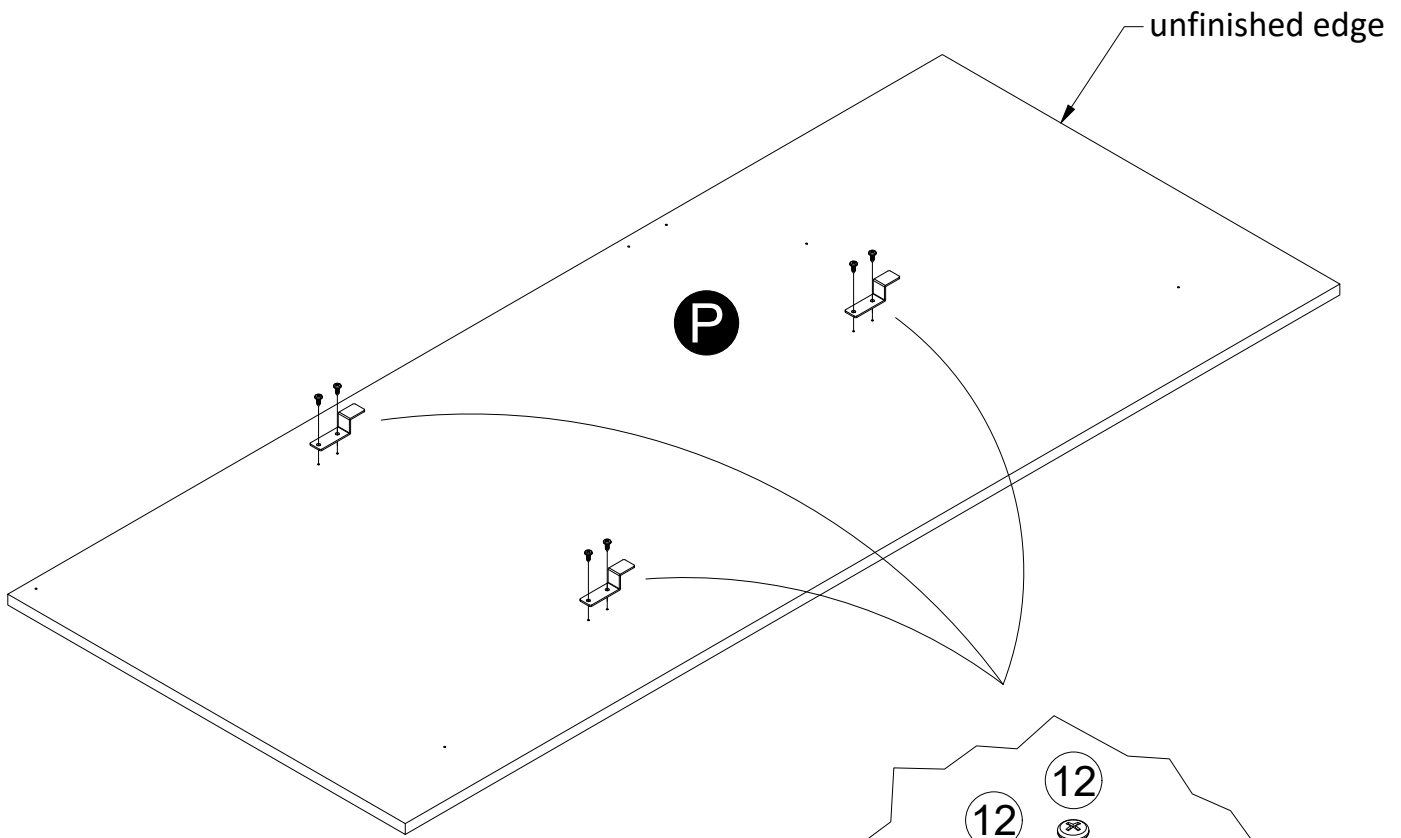
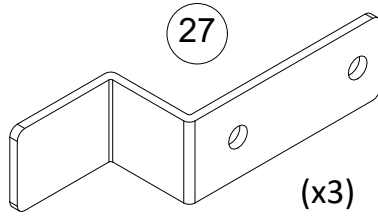
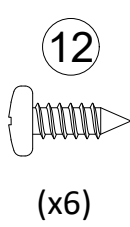
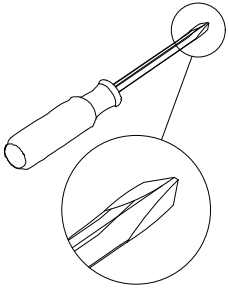
A step ladder will be required for this step. With the help of another person, assemble the LED lights back together. First placing the lens into the base and then screwing the cover back to the base as shown below.



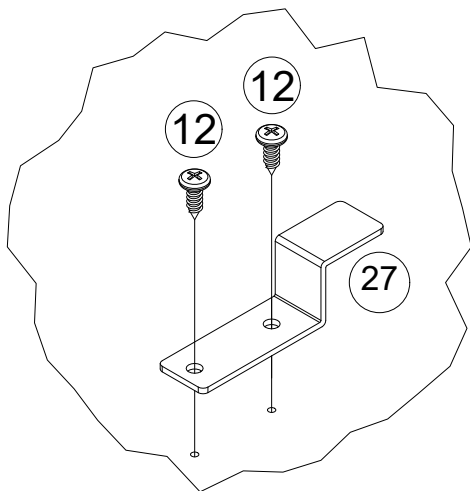
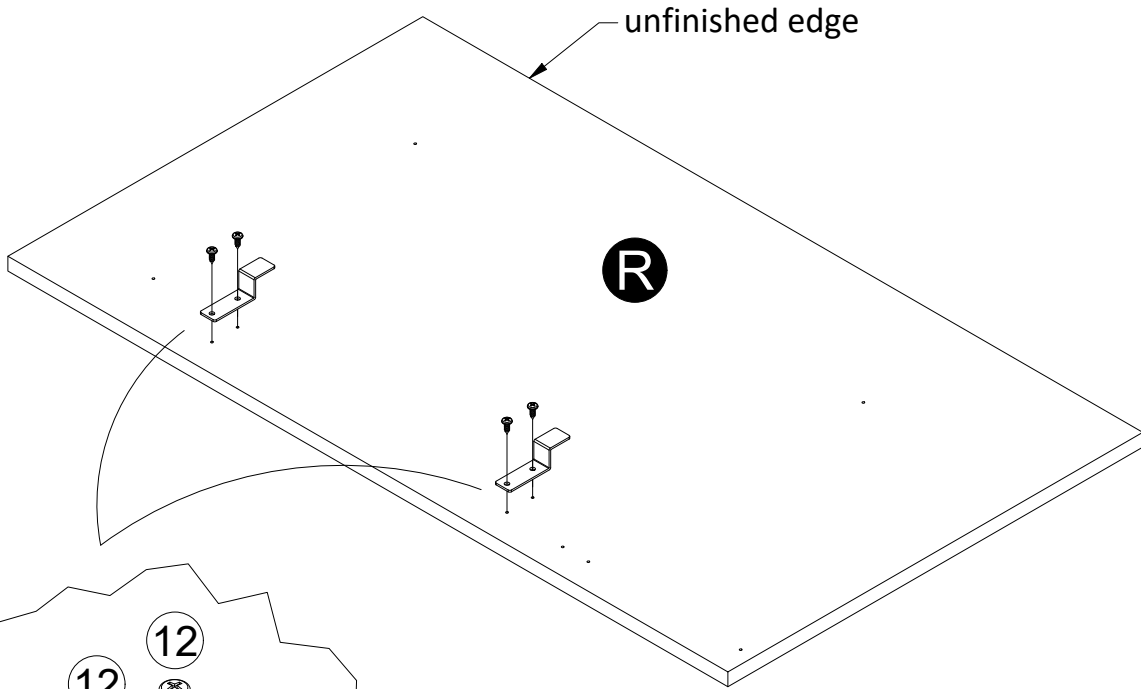
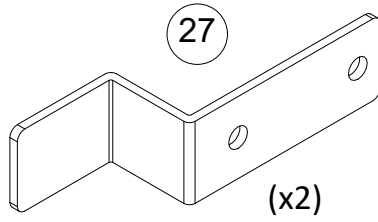
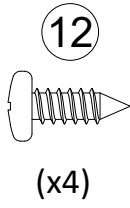
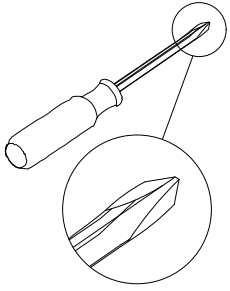
Adjust any wires necessary as needed. Assure the Power Supply Plug is threaded where the attended power outlet is located. Plug into outlet and assure the LED Light (24) and Touch Sensor Disk (25) are working properly.



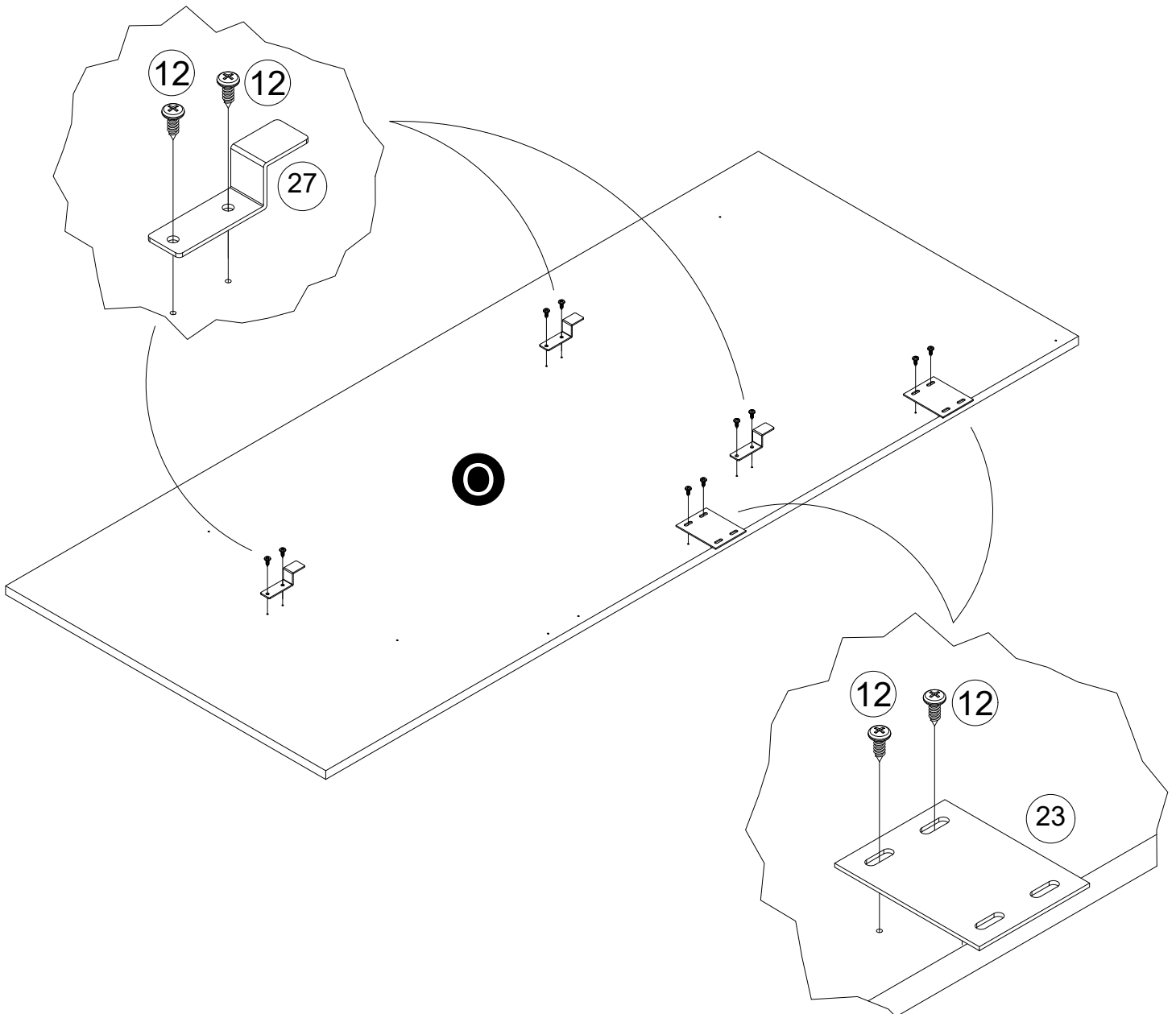
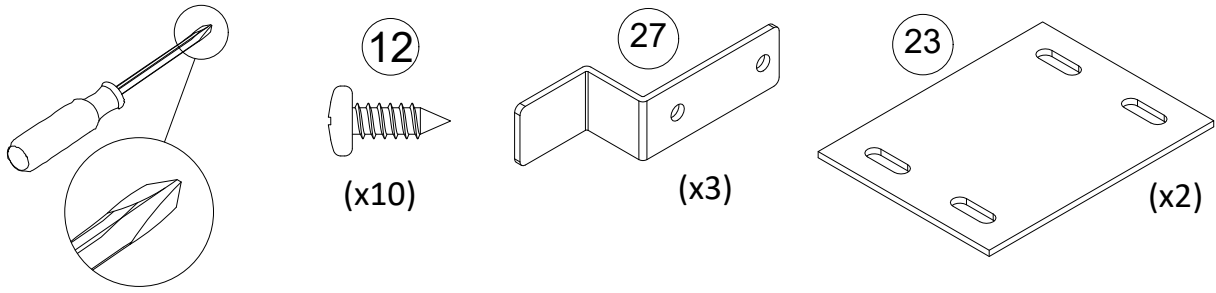
STEP 41



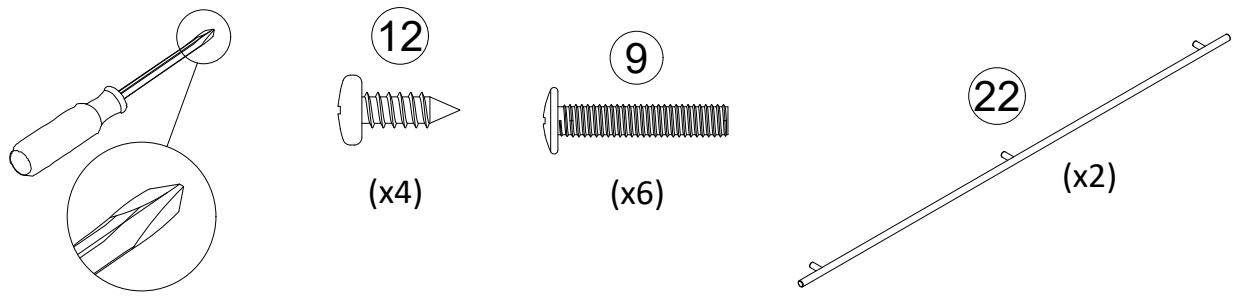
STEP 42



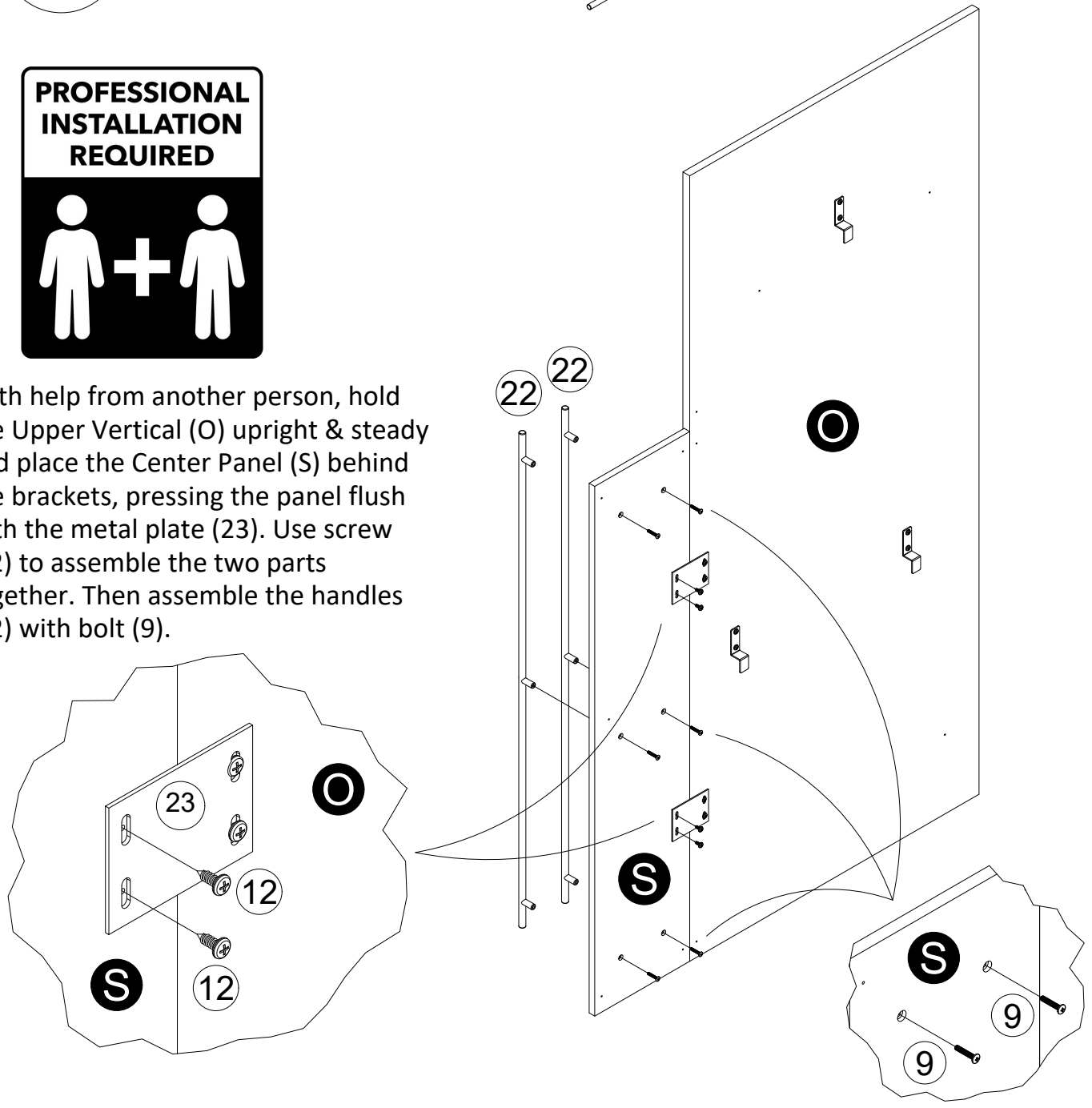
STEP 43



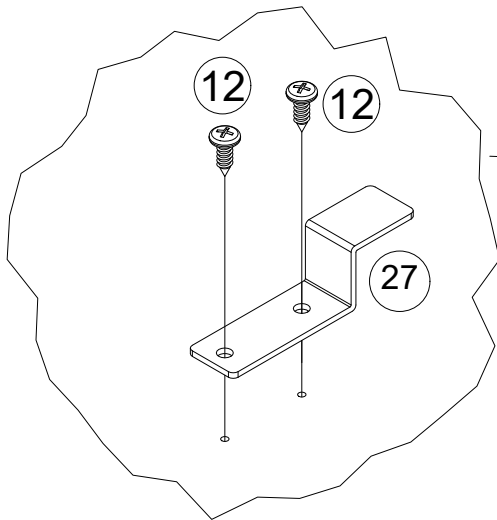
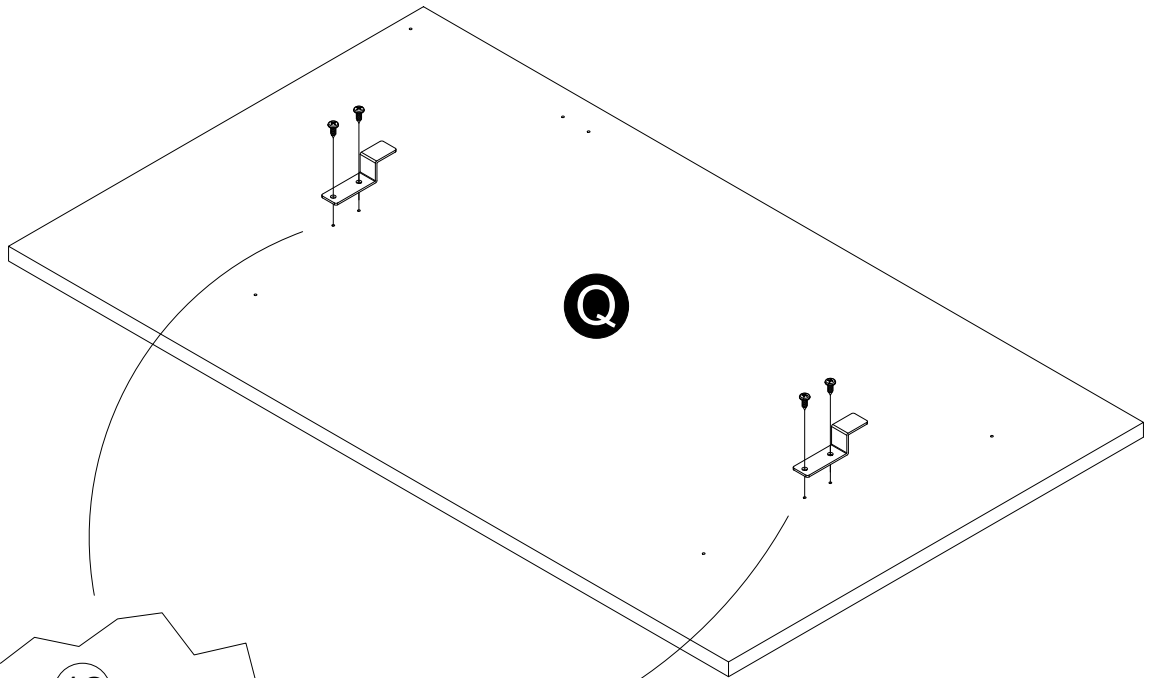
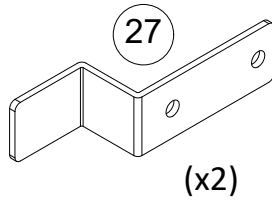
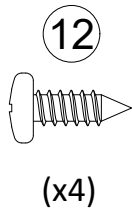
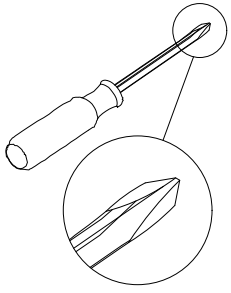
STEP 44



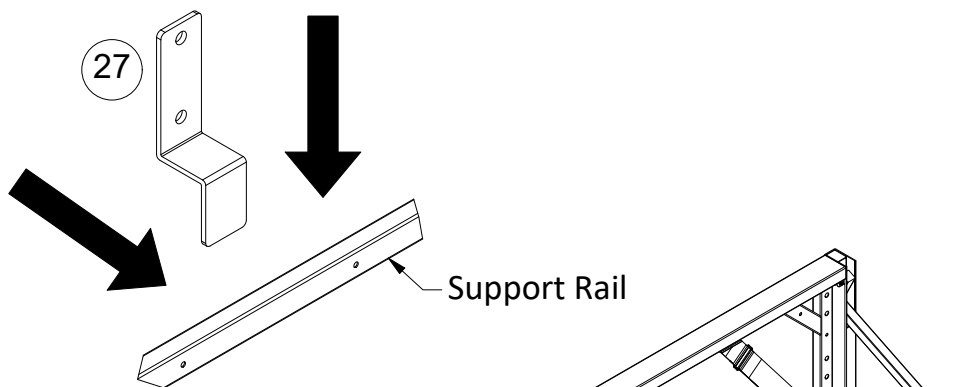
With help from another person, hold the Upper Vertical (O) upright & steady and place the Center Panel (S) behind the brackets, pressing the panel flush with the metal plate (23). Use screw (12) to assemble the two parts together. Then assemble the handles (22) with bolt (9).



STEP 45



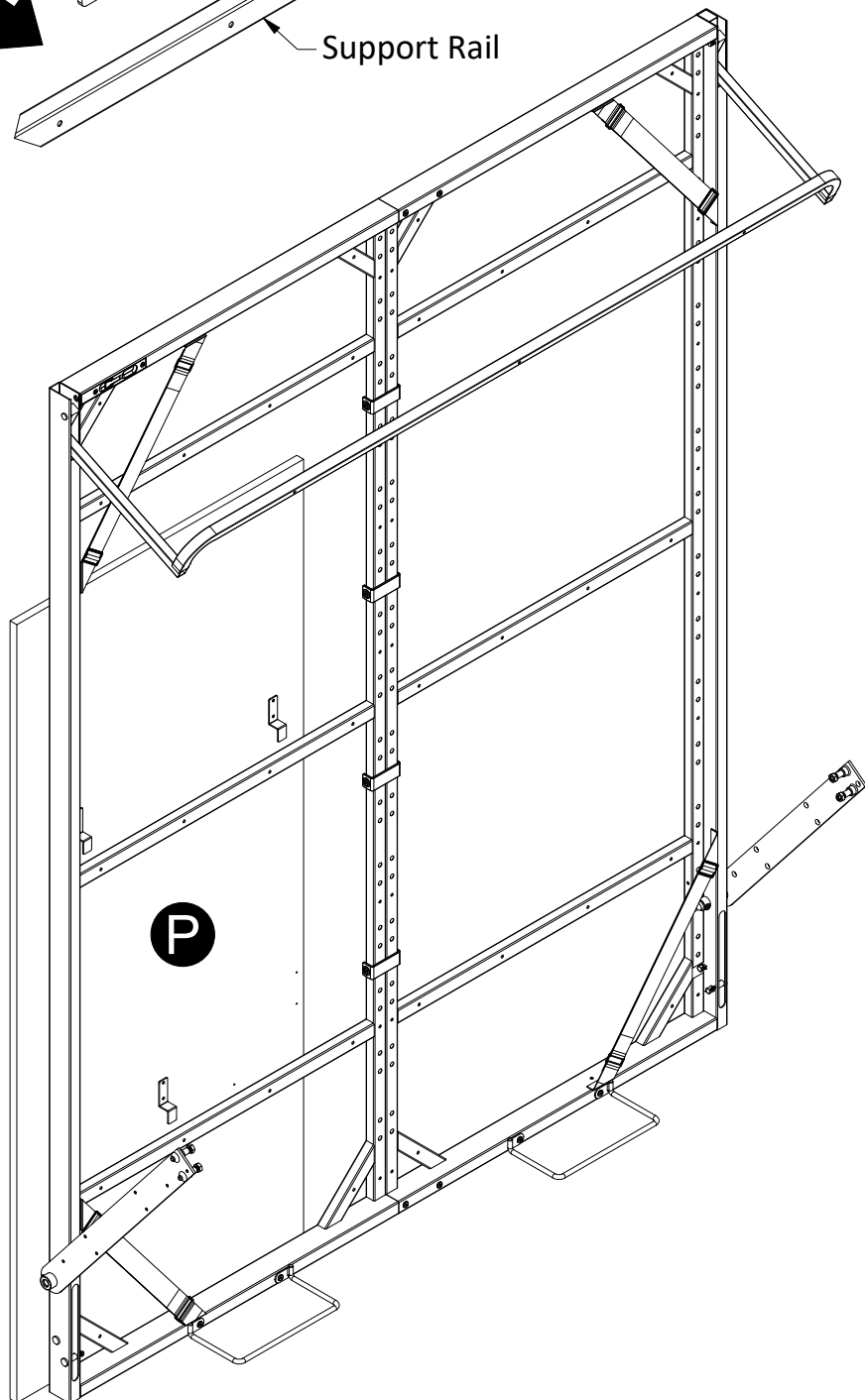
STEP 46



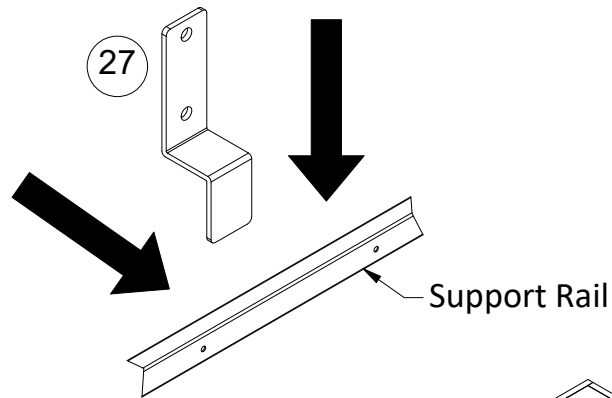
IMPORTANT:
First, unlock and flip the leg into the cabinet.
Then, lower the bed frame down a bit to allow clearance to hook door panels (O,P,Q,R & S)

With the help of another person, position the Lower Vertical (P) on the right side of the bed frame. Lift the Lower Vertical (P), position the Brackets (27) over the two lower Support Rails of the Bed Frame, and drop into position.

The cabinet is not shown to allow a clear view of the bed frame assembly



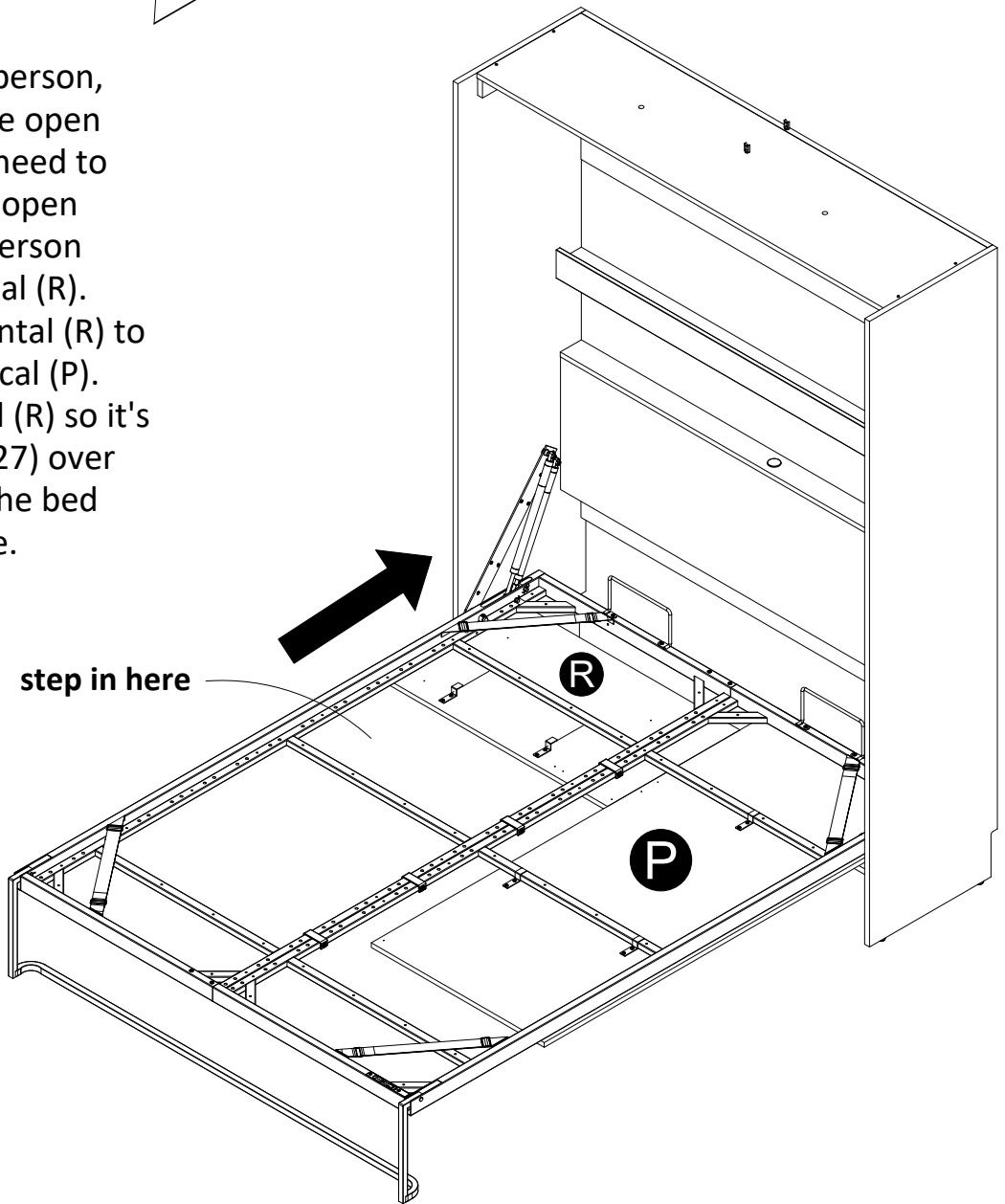
STEP 47



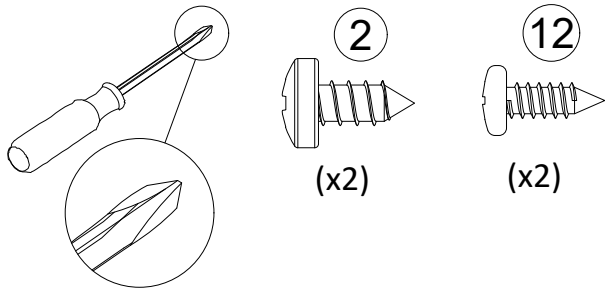
With the help of another person, lower the bed frame to the open position. One person will need to hold the bed frame in the open position while the other person places the Lower Horizontal (R). Position the Lower Horizontal (R) to the left of the Lower Vertical (P). Slide the Lower Horizontal (R) so it's positioning the Brackets (27) over the lower support rail of the bed frame, and drop into place.



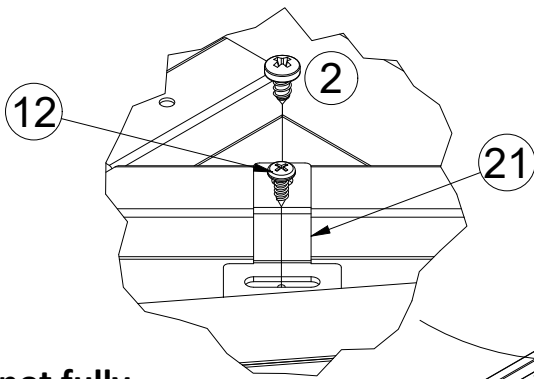
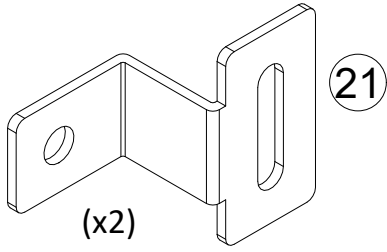
You may position yourself inside the bed frame to better position the Lower Horizontal (R).



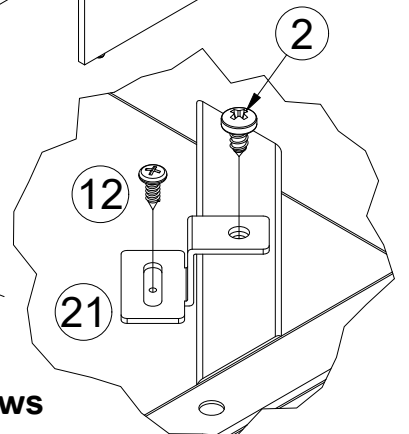
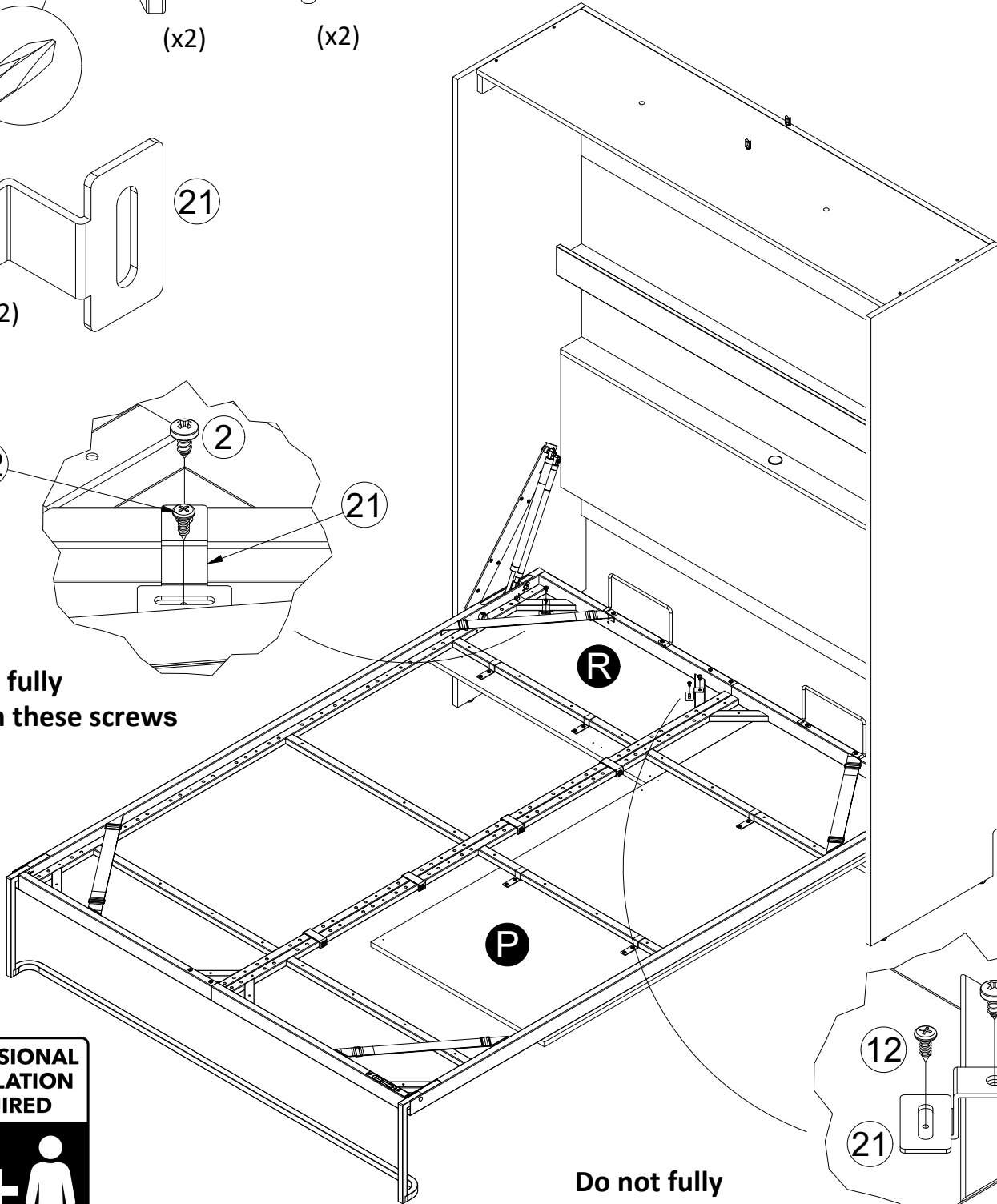
STEP 48



With one person continuing to hold the bed frame open, another person will assemble the door brackets (21).



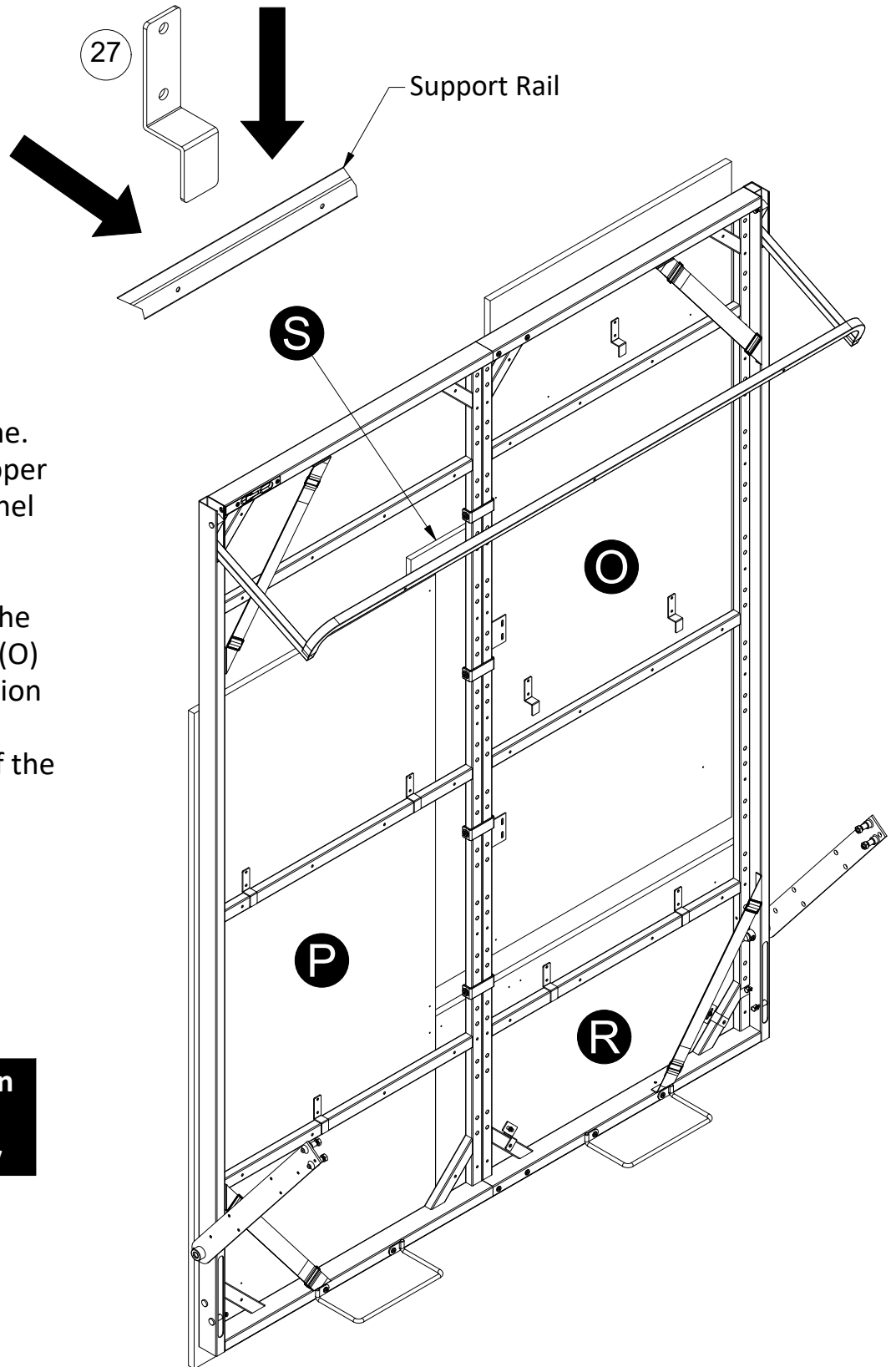
Do not fully tighten these screws



Do not fully tighten these screws



STEP 49



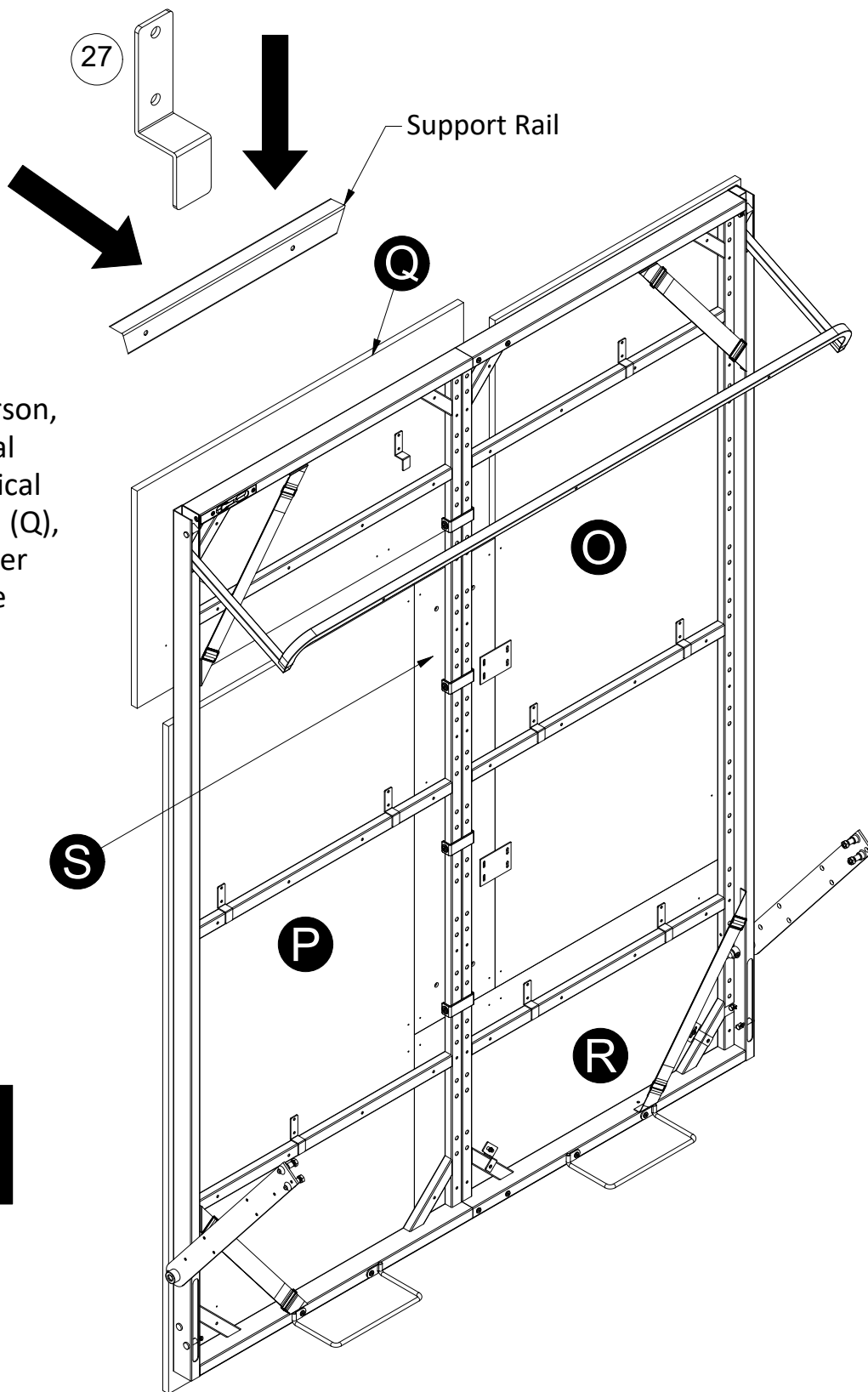
With the help of another person, close the bed frame. Position the assembled Upper Vertical (O) and Center Panel (S) to the left of the Lower Vertical (P) and on top of Lower Horizontal (R). Lift the assembled Upper Vertical (O) and Center Panel (S), position the Brackets (27) over the upper two Support Rails of the Bed Frame, and drop into position.

The cabinet is not shown to allow a clear view of the bed frame assembly

STEP 50

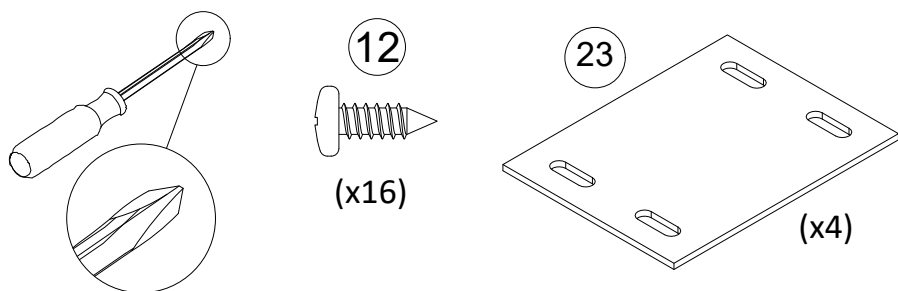


With the help of another person, position the Upper Horizontal (Q) on top of the Lower Vertical (P). Lift the Upper Horizontal (Q), position the Brackets (27) over the upper Support Rail of the Bed Frame, and drop into position.

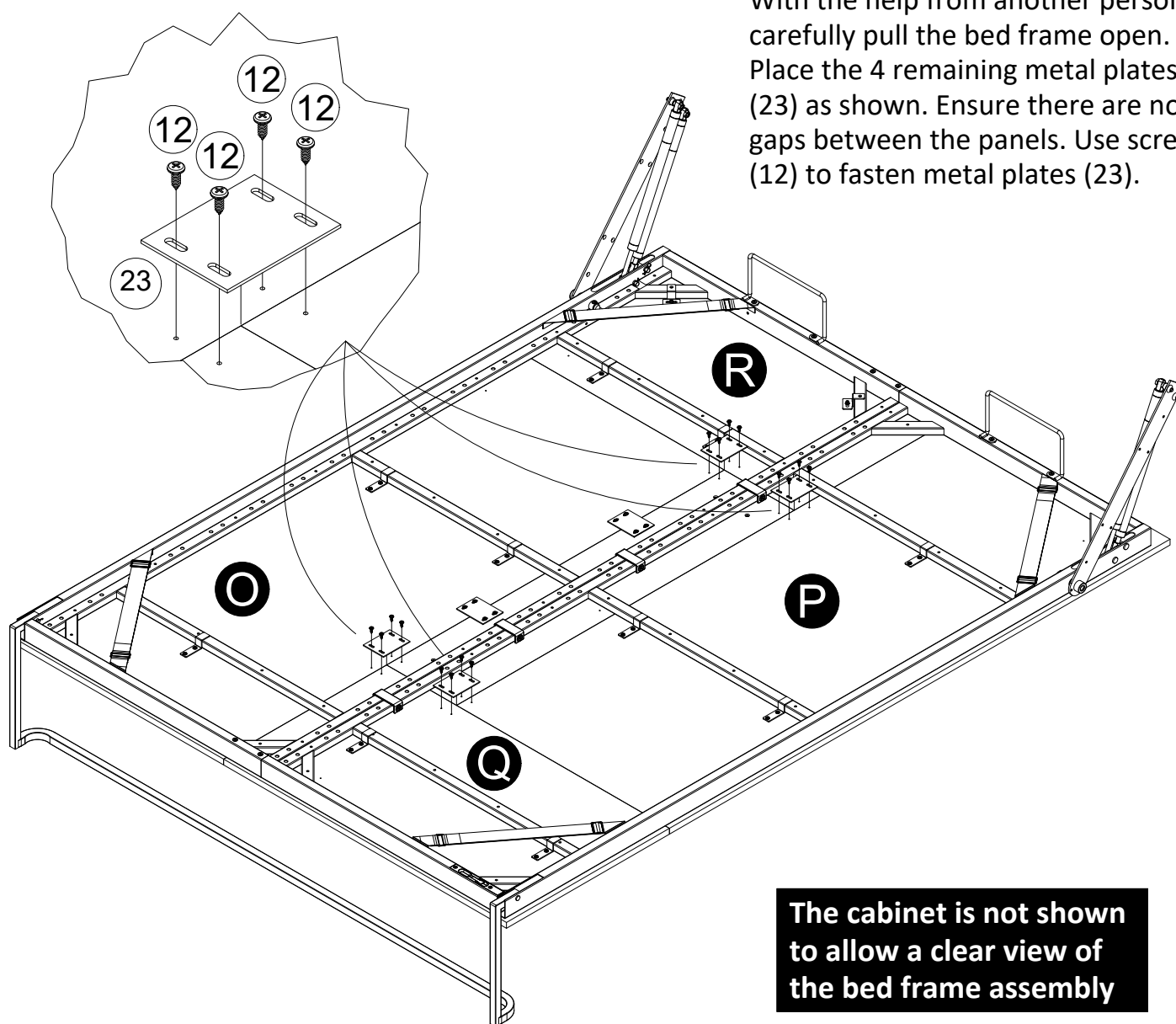


The cabinet is not shown to allow a clear view of the bed frame assembly

STEP 51

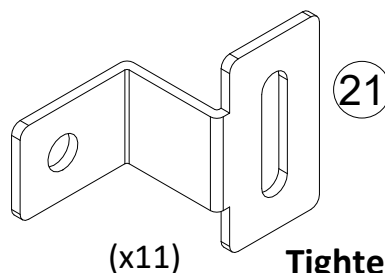
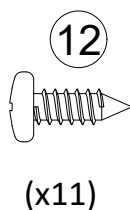
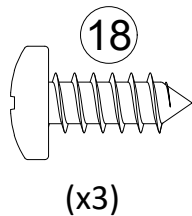
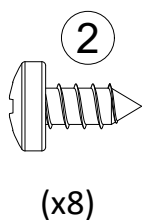
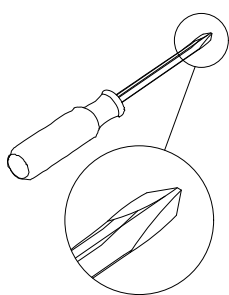


With the help from another person, carefully pull the bed frame open. Place the 4 remaining metal plates (23) as shown. Ensure there are no gaps between the panels. Use screw (12) to fasten metal plates (23).



The cabinet is not shown to allow a clear view of the bed frame assembly

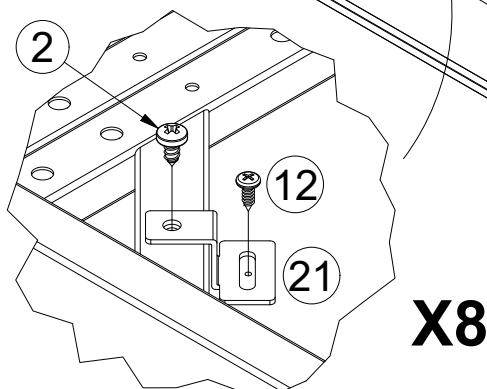
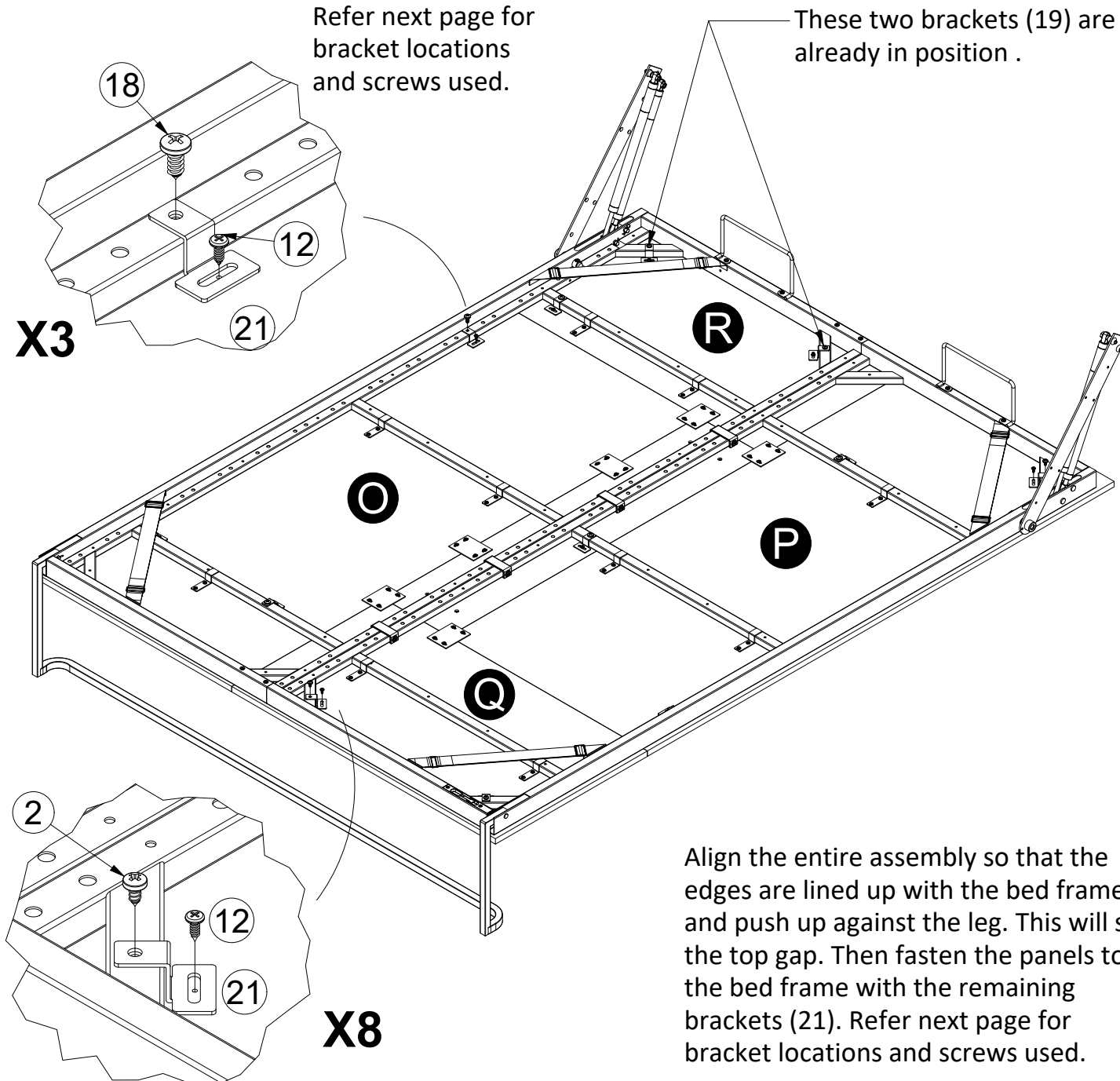
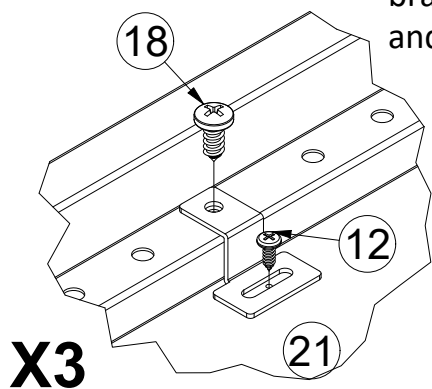
STEP 52



Tighten all screws in this step!

Refer next page for
bracket locations
and screws used.

These two brackets (19) are
already in position .



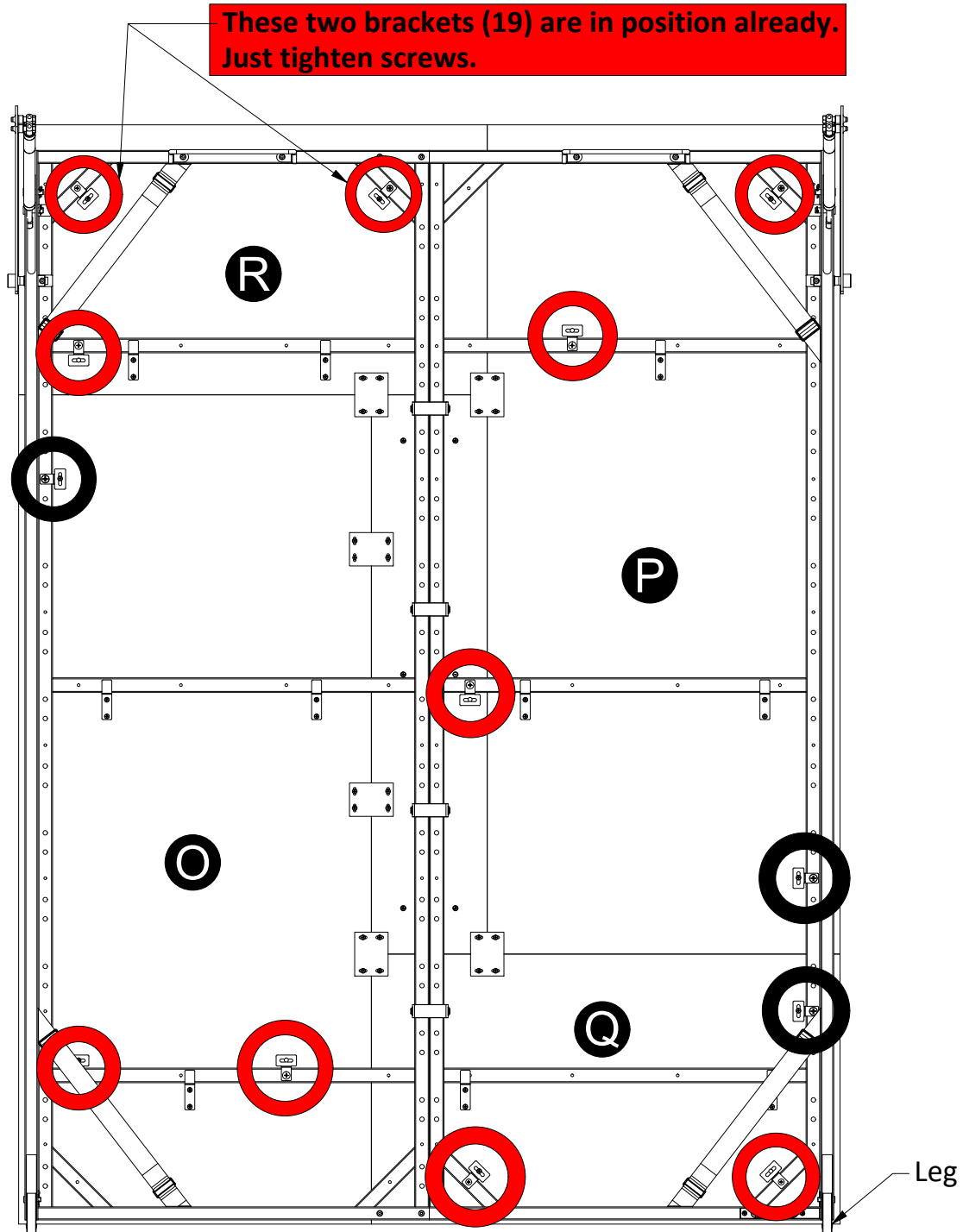
Align the entire assembly so that the
edges are lined up with the bed frame
and push up against the leg. This will set
the top gap. Then fasten the panels to
the bed frame with the remaining
brackets (21). Refer next page for
bracket locations and screws used.

STEP 52 continued...

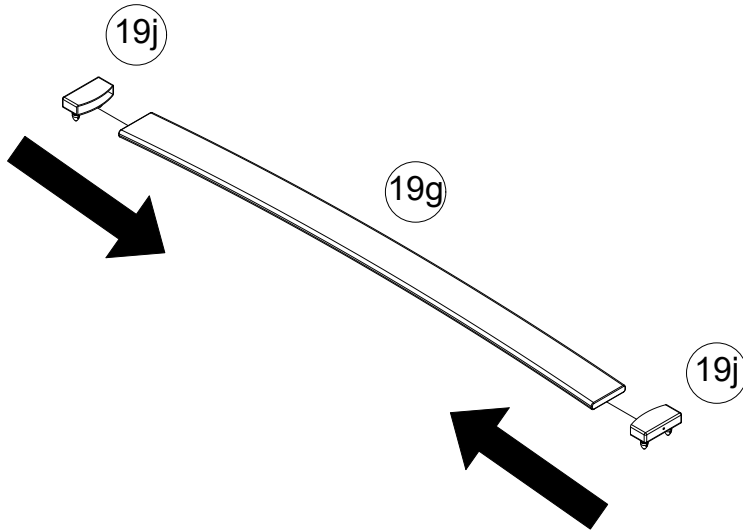
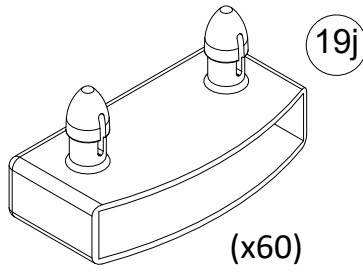
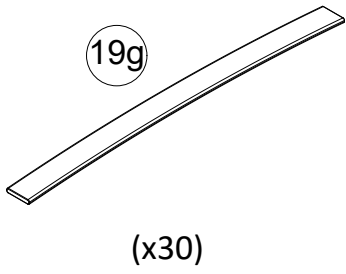
View is looking from the top... showing location of brackets (21).

BLACK CIRCLES : The locations to use Screw (18) & Screw (12) to fasten the bracket (21).

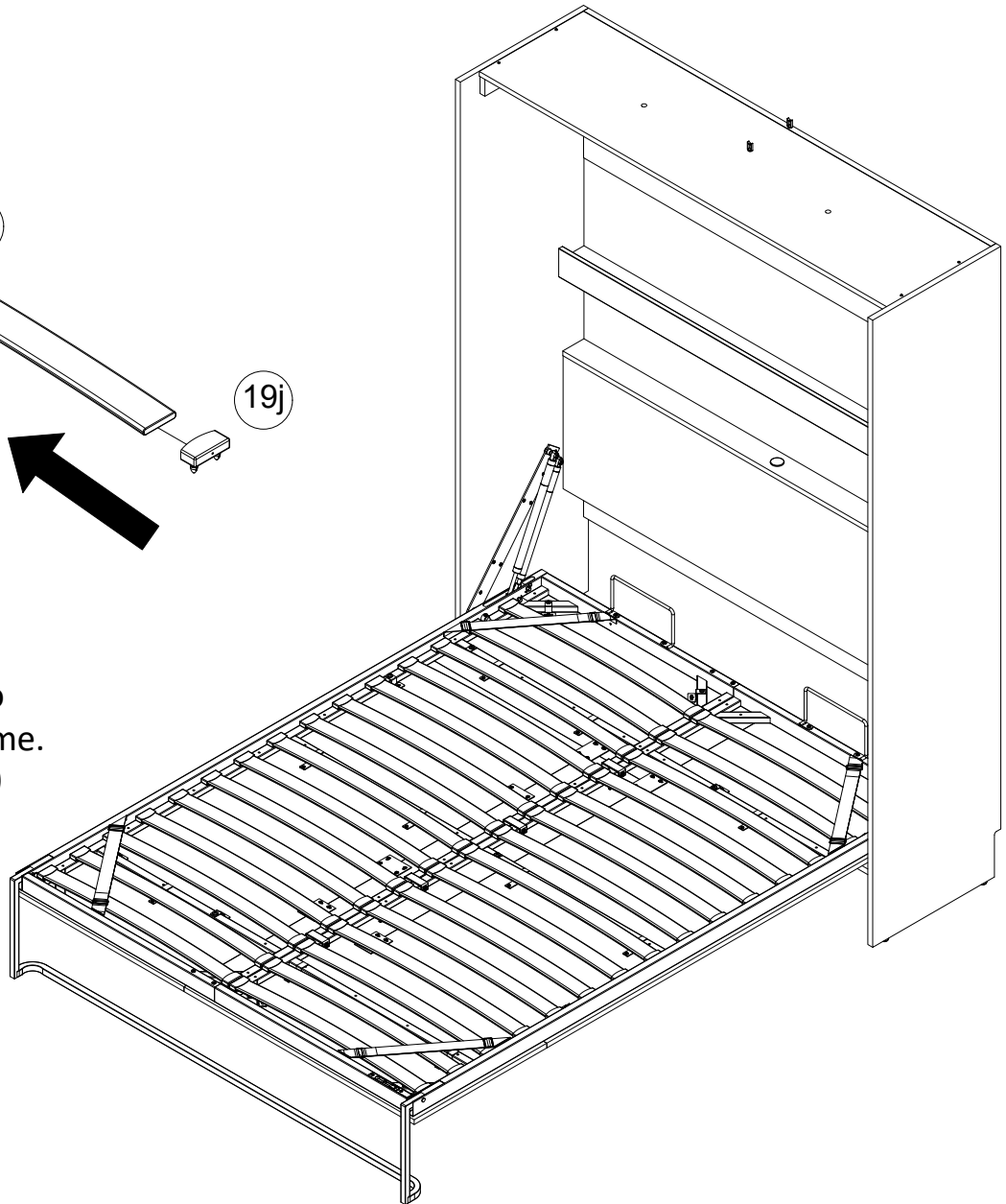
RED CIRCLES : The locations to use Screw (2) & Screw (12) to fasten the bracket (21).



STEP 53



Press a Plastic Cap (19j) at each end of a Wood Slat (19g). Press both Plastic Caps (19j), attached to the Wood Slat, into the holes of the Metal Bed Frame. Repeat the procedure for all 30 wood slats and 60 plastic caps.



Slip the wood slats underneath the straps at each corner

Maximum Loads

This unit has been designed to support the maximum loads shown. Exceeding these load limits could cause sagging, instability, product collapse, and/or serious injury.

This bed is designed to accommodate a Queen Size Mattress, up to 10" inches thick.

* with a maximum weight of 70 lbs (31.8 kgs)

* with a minimum weight of 35 lbs (15.9 kgs)

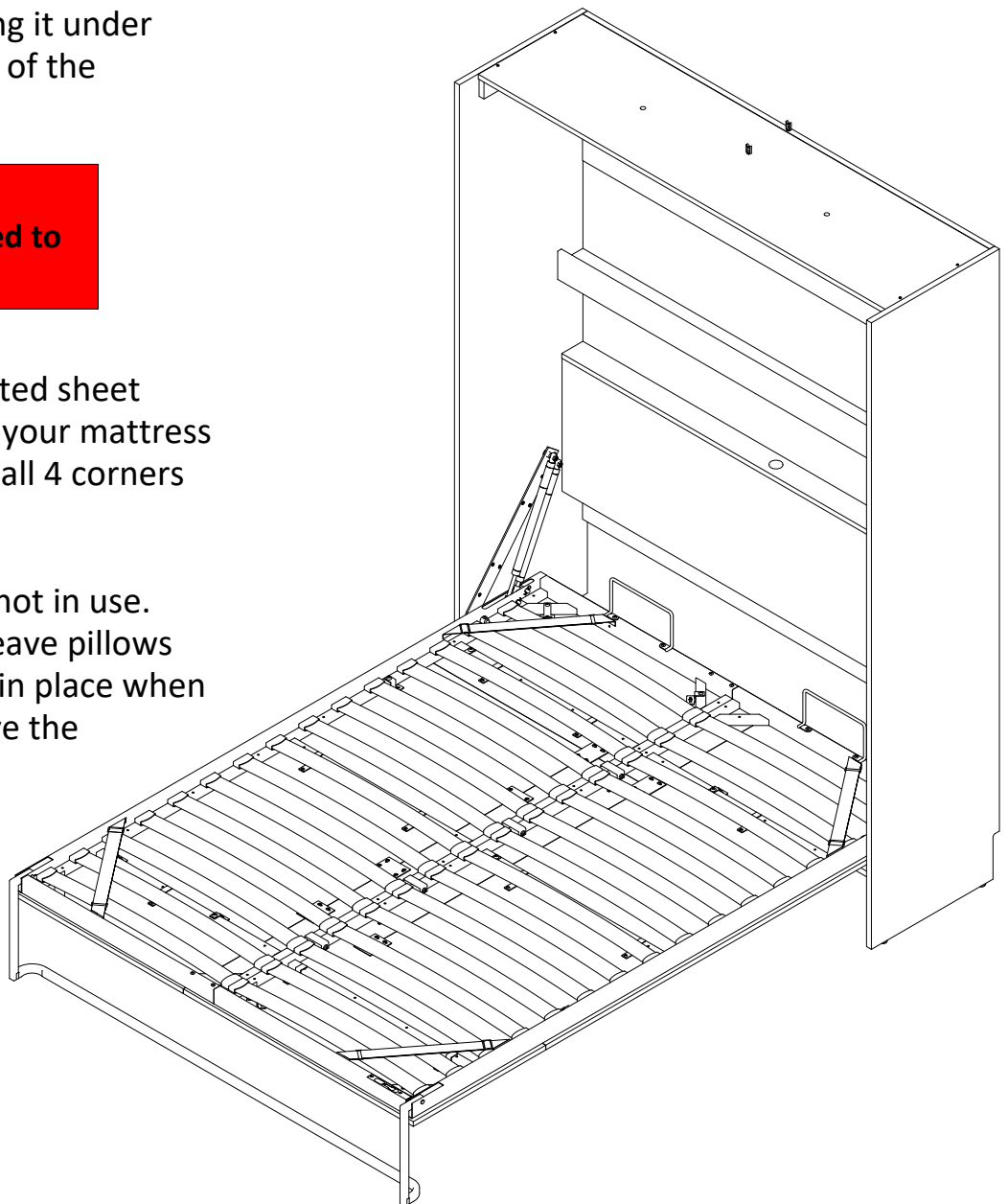
After you have finished assembling your wall bed, please keep the assembly manual by placing it under the mattress, in the frame of the mobile part of the bed.

Caution

Two people may be required to open and close the bed

Once you've placed your fitted sheet onto your mattress, secure your mattress with the straps provided in all 4 corners of the bed frame.

Keep the bed closed when not in use. It is recommended not to leave pillows and/or ornamental pillows in place when the bed is closed to preserve the mechanism.



Register your product to receive the following:



- * New trend details - sneak peek on what's new
- * Surveys - have a voice within our community
- * Exclusive deals and discount codes
- * Quick and easy replacement part service

To register your product, visit ameriwoodhome.com

5 Star Rating



Visit your local retailer's website, rate your purchased product and leave us some feedback!

*Thank
You!*

Español

Cubierta Delantera
Cama Queen Wall

Fecha de compra
Número de lote

ADVERTENCIA:

* **ADVERTENCIA PARA NIÑOS PEQUEÑOS:** Este producto tiene piezas pequeñas, asegúrese de mantenerlas fuera del alcance de los niños pequeños. Los niños menores de 6 años, lactantes pequeños y bebés no deben dormir en esta cama por cuestiones de seguridad. Para evitar lesiones y daños a esta unidad, PROHÍBA saltar sobre ella.

* Este producto está diseñado para uso doméstico y no está destinado al uso comercial.

La instalación profesional es requerido para esta unidad.

**ESTE MANUAL DE INSTRUCCIONES CONTIENE INFORMACIÓN IMPORTANTE SOBRE SEGURIDAD.
LÉALO Y CONSÉRVELO PARA FUTURAS CONSULTAS.**

¡No devuelva este producto!

Primero póngase en contacto con nuestro servicio de atención al cliente.

Llame al 1-800-489-3351 (llamada gratuita)

Visite: www.ameriwoodhome.com

ADVERTENCIA

- La unidad puede volcarse y causar lesiones graves o la muerte.
- Fije la unidad a una clavija en la pared
- No permita que los niños se suban a la unidad

Medidor de dificultad de ensamblaje

Siga a Ameriwood Home

¡Contáctenos! (página 2)

¡No devuelva este producto!

Primero póngase en contacto con nuestro amable equipo de atención al cliente para obtener ayuda.

¡Llámenos! 1-800-489-3351

De lunes a viernes

Visite ameriwoodhome.com para ver la garantía limitada válida en EE. UU. y Canadá.

Consejos de montaje

Consejos útiles

PERSONAS NECESARIAS PARA EL ENSAMBLAJE: 2

- Abra el artículo en la zona donde piensa colocarlo para evitar levantarlo por su peso.
- Identifique, clasifique y cuente las piezas antes de intentar ensamblarlo.
- Asegúrese de orientar siempre la punta que está en la parte superior del bloqueo de leva hacia el borde exterior.
- NO use productos químicos agresivos ni limpiadores abrasivos en este artículo.
- Nunca empuje, jale o arrastre los muebles.

Antes de empezar (página 3)

- Lea detenidamente cada paso y siga el orden correcto.
- Separe y cuente todas sus piezas y herramientas. Las piezas tienen etiquetas en la superficie o el borde.
- Deje espacio suficiente para el proceso de ensamblaje.
- Debe tener las siguientes herramientas: destornillador Phillips n.º 2, martillo, nivel, detector de clavos, lápiz, escalera, mazo de goma y un taladro con brocas de 1/8" y 1/4".
- **Precaución:** Si usa un taladro o atornillador eléctrico para atornillar, tenga en cuenta que debe reducir la velocidad y detenerse cuando el tornillo esté apretado. Reduzca el par de torsión a un nivel inferior para que el taladro salte cuando el tornillo esté apretado. De lo contrario, el tornillo podría romperse.

Sistema de fijación con bloqueo de leva

Este sistema de bloqueo de leva se usará en todo el proceso de ensamblaje.

Identificación de la placa (página 4)

No es el tamaño real

Lista de piezas			
Artículo	Cantidad	Número de pieza	Descripción
A	1	34335356010	Panel izquierdo
B	1	34335356020	Panel derecho
C	1	34335356030	Pieza superior
D	1	34335356040	Pieza inferior
E	1	34335356050	Panel trasero superior
F	2	34335356060	Panel trasero central
G	1	34335356070	Estante superior
H	1	34335356080	Panel de la cabecera
I	1	34335356090	Travesano inferior
J	1	34335356100	Estante inferior
K	1	34335356110	Riel de estante
L	1	34335356120	Riel lateral izquierdo
M	1	34335356130	Riel lateral derecho
N	1	34335356140	Riel trasero superior
O	1	34335356150	Vertical superior
P	1	34335356160	Vertical inferior
Q	1	34335356170	Horizontal superior
R	1	34335356180	Horizontal inferior
S	1	34335356190	Panel central

Página 6

Tenga en cuenta que su modelo puede contener hardware adicional.

Lista de piezas

Tamaño real

- | | | |
|------------------------------|------------------------------|--|
| 1. Bloqueo de leva | 11. Tornillo #6 x 5/8" pan | 21. Soporte de puerta |
| 2. Tornillo #14 x 1/2" pan | 12. Tornillo #10 x 1/2" pan | No es el tamaño real |
| 3. Tornillo #8 x 3-1/2" pan | 13. Conector frontal | 22. Asa |
| 4. Perno de leva | 14. Tornillo #6 x 1-1/2" pan | 23. Placa de conexión |
| 5. Tornillo #8 x 5/8" flat | 15. Cerrojo - 1/2" | 24. Kit de luces LED dobles; se muestra en las páginas 31 y 32 |
| 6. Guía | 16. Perno conector | 25. Disco sensor táctil |
| 7. Tuerca | 17. Conector | 26. Etiqueta de advertencia |
| 8. Pasador de madera | 18. Tornillo 5/16 x 3/4" pan | 27. Soporte de puerta |
| 9. Cerrojo - 7/8" | 20. Soporte de cables | |
| 10. Tornillo #8 x 1-1/4" pan | | |

Español

Página 8: Identificación del marco de cama

No es el tamaño real

Nota: No se identificarán todas las piezas.

19a - Ensamblaje izquierdo

19b - Ensamblaje derecho

19c - Pata

19d - Soporte de colchón

19e - Brazo giratorio izquierdo

19f - Brazo giratorio derecho

19g - Tablilla de madera

19h - Pistón de gas

19i - Soporte en U

19j - Tapa de plástico

19k - Pasador giratorio

19l - Pasador de horquilla grande

19m - Pasador de horquilla pequeño

19n - Pasador

19o - Perno - M6 x 16mm

19p - Perno - M6 x 10mm

19q - Arandela

19r - Tuerca hexagonal

19s - Llave hexagonal

19t - Llave inglesa

19u - Pata de goma

Página 9

¡Antes de empezar!

¡INFORMACIÓN MUY IMPORTANTE!

SE REQUIERE INSTALACIÓN PROFESIONAL

Precaución: No utilizar 2 profesionales para este montaje podría resultar en daños a la unidad o lesiones personales.

Página 10: Paso 1

Consejos útiles

Presione el conector frontal (13) en los orificios del panel trasero superior (E) y luego encaje el otro extremo de los conectores frontales (13) en los orificios del riel trasero superior (N). Presione las dos partes para bloquearlas.

Nota: Las piezas estarán sueltas en los orificios hasta que presione ambas partes. En ese momento, los extremos se comprimirán para obtener un ajuste firme.

Orientación correcta del bloqueo de leva

Borde acabado

VOLTEAR

Página 11: Paso 2

Orientación correcta del bloqueo de leva

Página 12: Paso 3

Orientación correcta del bloqueo de leva

Orientación correcta del conector

Página 13: Paso 4

Orientación correcta del bloqueo de leva

Página 14: Paso 5

Orientación correcta del conector

Página 18: Paso 9

Introduzca el conector frontal (13) en los orificios del panel izquierdo (A). Luego encaje el otro extremo de los conectores frontales (13) en los orificios del riel lateral izquierdo (L). Presione las dos partes para bloquearlas.

Nota: Las piezas estarán sueltas en los orificios hasta que presione ambas partes. En ese momento, los extremos se comprimirán para obtener un ajuste firme.

Página 19: Paso 10

El brazo giratorio izquierdo (19e) se encuentra en la caja del mecanismo de la cama de pared 9632096COM.

Página 20: Paso 11

Introduzca a presión el conector frontal (13) en los orificios del panel derecho (B). Luego encaje el otro extremo de los conectores frontales (13) en los orificios del riel lateral derecho (M). Presione las dos partes para bloquearlas.

Nota: Las piezas estarán sueltas en los orificios hasta que presione ambas partes. En ese momento, los extremos se comprimirán para obtener un ajuste firme.

Página 21: Paso 12

El brazo giratorio derecho (19f) se encuentra en la caja del mecanismo de la cama de pared 9632096COM.

Página 22: Paso 13

Gire en el sentido de las agujas del reloj para bloquear

Nota: El riel de estante (K) es simétrico.

Página 23: Paso 14

Gire en el sentido de las agujas del reloj para bloquear

Superficie sin acabado

Borde sin acabado

Página 24: Paso 15

Primero, ensamble el panel posterior superior (E) al panel izquierdo (A). Luego ensamble uno de los paneles traseros centrales (F) al panel izquierdo (A).

El pasador está más cerca del borde aquí

Nota: El riel trasero superior (N) se ensambla en la superficie acabada del panel trasero superior (E).
Superficies sin acabado

Página 25: Paso 16

Presione los pasadores para insertarlos en su lugar. Use un mazo de goma suavemente si es necesario.

Página 26: Paso 17

El pasador está más cerca del borde aquí

Superficie sin acabado

Página 27: Paso 18

Superficie sin acabado

Página 28: Paso 19

Borde sin acabado

Borde acabado

Página 29: Paso 20**Consejos útiles**

Empiece por un extremo y siga hasta el otro para alinear las piezas antes de fijar los bloqueos de leva.

Página 30: Paso 21

Con la ayuda de otra persona, coloque suavemente la unidad sobre la parte frontal de modo que las guías queden orientadas hacia la pared.

Golpee el casquillo (7) con un martillo.

Atornille las guías ajustables (6) hasta el fondo.

Página 31: Paso 22**Material eléctrico**

Información de la longitud del cable:

1. El cable de alimentación mide 183 cm (72") del transformador a la punta del enchufe.
2. El cable de lazo para el disco sensor, del transformador al centro del lazo mide 122 cm (48").
3. El cable de la luz que termina en un clip (que después se conectará al módulo de la luz), ese cable, del transformador a la pinza mide 254 cm (100").
4. El módulo de luz, su cable sale del disco de luz y se extiende 12,7 cm (5") hasta el centro de su clip.

El kit de luces LED dobles incluye:

- 24a. Transformador
- 24b. Cable de alimentación
- 24c. Cable del sensor de lazo
- 24d. Luces LED dobles con conectores

Español

Disco sensor táctil (empaquetado por separado)

El disco sensor táctil tiene 3 opciones de brillo.

- Toque 1: luz nocturna
- Toque 2: luz de bajo consumo
- Toque 3: luz de lectura brillante
- Toque 4: apagado

Tenga en cuenta que las herramientas de ensamblaje no están incluidas en estos paquetes. Pero se proporcionan en la bolsa de herramientas.

Página 32: Paso 22 continuación...

Ensamblaje del kit de luces LED dobles

Abra el paquete del kit de luces LED. Todo estará ensamblado. Primero, desenganche la luz LED del enchufe de luz como se muestra...

Enchufe de luz

Desenganche

Luz LED

En segundo lugar, debe desensamblar la luz LED. Desenrosque la tapa de la base y luego retire la pieza de la lente. Coloque estas piezas de forma segura a un lado.

Módulo de luz

Lente

Base

Tapa

Página 33: Paso 23

Coloque el transformador (24a) en el panel de la cabecera (H) en el lugar indicado. Use el tornillo (14) para fijar el transformador (24a). Enrosque el enchufe de alimentación (24b) delante del travesaño inferior (I) si es necesario para la fuente de alimentación.

Página 34: Paso 24

Con la ayuda de otra persona, coloque con cuidado la unidad en posición vertical. Durante estos pasos, permita que otra persona sujete firmemente la unidad para evitar que se caiga. Coloque el disco sensor táctil (25) en el lugar indicado en el estante inferior (J).

Página 35: Paso 25

Con la ayuda de otra persona que sostenga la unidad en posición vertical, tome el sensor de lazo (24c) que está conectado al transformador (24a) y colóquelo debajo del estante inferior (J) en el orificio del disco de sensor táctil (25). Enrosque el tornillo (15) a través del sensor de lazo y atorníllelo en el disco de sensor táctil (25).

Cuando el tornillo (15) esté completamente apretado, pase los cables del enchufe de luz (24d) por la parte posterior de la unidad. Pase los cables a través del soporte de cables (20) en el borde superior del panel trasero superior (E). **Asegure los cables para que no se caigan detrás de la unidad cuando la fije a la pared. Cables del enchufe de luz (24d)**

Página 36:

Los siguientes pasos son ensamblar su unidad a la pared

SE REQUIERE INSTALACIÓN PROFESIONAL

La unidad ensamblada DEBE ser cuadrada en la altura, el ancho, y profundidad para funcionar correctamente

La unidad ensamblada DEBE colocarse plana contra la pared

La unidad ensamblada DEBE atornillarse en 3 DIFERENTES Montantes de pared en la parte superior e inferior para mayor seguridad

Los tornillos provistos son para paneles de yeso y montantes de madera. Si las paredes son de mampostería, concreto u otros materiales de pared: Uso hardware adecuado para sujetar de forma segura su unidad a la pared

NO use anclajes de pared para sujetar su unidad a la pared

¡No se sugiere la reubicación después del montaje!

Página 37: Paso 26

Con la ayuda de otra persona, coloque el aparato AL RAS de la pared.

Asegúrese de que los cables del enchufe de luz (24d) estén bien sujetos en el soporte de cables (20) en el panel trasero superior (E).

Soporte del cable (20)

¡NO lo corte en la cama!

En la parte trasera de la unidad hay unas muescas que deben ajustarse alrededor de la placa base en la pared. Si la placa base es más alta o más gruesa que las muescas de la unidad, tendrá que quitar la placa base, cortarla para que quepa a ambos lados de la unidad y volver a fijarla a la pared.

Página 38: Paso 27

La unidad ensamblada DEBE estar al ras en altura, anchura y profundidad para funcionar correctamente.

Necesitará una escalera de mano. No se apoye en la parte superior de la unidad, puede causar pandeo.

Si es necesario, desenrosque las guías en sentido contrario a las agujas del reloj en las cuatro esquinas hasta que la unidad esté nivelada en todas las direcciones.

Página 39: Paso 28

Ubique los montantes en la pared, usando un buscador de montantes. Con un lápiz, marque la ubicación de las clavijas en la superficie de arriba del panel posterior superior (E), justo debajo del riel posterior superior (N). Con un nivel, lleve las ubicaciones de las clavijas hasta el travesaño inferior (I) y, con un lápiz, marque las ubicaciones de las clavijas.

Necesitas ubicar al menos 3 DIFERENTES espárragos, en la horizontal dirección, pero 4 es mejor.

Necesitará una escalera. No se apoye en la parte superior de la unidad, puede causar pandeo.

Distancia promedio entre montantes (16")

Español

Página 40: Paso 29

En primer lugar, asegúrese de que la unidad sigue nivelada en todas las direcciones.

Taladre orificios guía de 1/8" (3 mm) a través del panel posterior superior (E) y el travesaño inferior (I) en las marcas de localización de las clavijas. Fije la unidad a las clavijas de la pared con los tornillos (3).

Necesitará una escalera. No se apoye en la parte superior de la unidad, puede causar pandeo.

Página 41:

Los siguientes pasos consisten en ensamblar el marco de cama metálico y el mecanismo.

Estas piezas están en la caja del mecanismo de la cama de pared #9632096COM.

Página 42:

Introduzca presionando en cada orificio

Puede necesitar un mazo de goma

Página 45: Paso 33

Extremo largo

Extremo corto

El extremo "largo" de cada pistón debe fijarse al marco.

Los extremos de ambos pistones deben insertarse en la ranura del marco de cama cuando estén ensamblados.

Página 46: Paso 34

No se muestra el gabinete para permitir una visión clara del conjunto del marco de cama.

Eliminamos los pistones de la imagen para mostrar mejor el paso.

Ya fijado a la unidad.

Con una persona a cada lado, levante el mecanismo de la cama, alinee los orificios del conjunto de la cama con el orificio del casquillo grande del brazo giratorio izquierdo y derecho (19e y 19f) ya instalados en la unidad e inserte los pasadores giratorios (19k) como se muestra. Asegure los pasadores giratorios con un perno de 10 mm (19p).

No fije los pistones a los brazos giratorios izquierdo y derecho en este punto, esto se hará en el paso 35.

Página 47: Paso 35

Con una persona a cada lado, levante con cuidado el marco de cama en la posición cerrada. Mientras que una persona empuja el marco de cama en el gabinete, pasados 90 grados, la otra persona debe enganchar el pistón de gas "delantero" (19h) en cada lado de la unidad, al pasador delantero del brazo giratorio izquierdo y derecho (19e y 19f). Luego fíjelo firmemente con dos tuercas (19r).

Para enganchar el pistón de gas "trasero" (19h) en cada lado de la unidad, mueva lenta y cuidadosamente el marco de cama hacia adelante y hacia atrás hasta que pueda insertar los pistones de gas (19h) en el pasador trasero del brazo giratorio izquierdo y derecho (19e y 19f). Luego fíjelos firmemente con dos tuercas (19r).

Empuje aquí en el gabinete

Este paso continúa en la siguiente página...

Página 48: Paso 35 continuación...**Pasados 90 grados**

La imagen muestra el marco de cama empujado dentro del gabinete, pasados 90 grados.

Nota: Es normal ver el marco de cama en este estado antes de instalar los pistones de gas.

Página 49: Paso 36

No se muestra el gabinete para permitir una visión clara del conjunto del marco de cama.

Jale el marco de cama hacia abajo y luego fije la pata (19c) como se muestra.

Aplique la etiqueta de advertencia aquí.

El marco de cama está equipado con un mecanismo para bloquear la pata (19c) en su lugar. Para bloquear o desbloquear la pata, jale el mecanismo de bloqueo.

Página 50: Paso 37

Para este paso necesitará una escalera.

Con la ayuda de otra persona, coloque con cuidado la parte superior (C) en el riel lateral izquierdo (L), el riel lateral derecho (M) y el riel trasero superior (N). Use el tornillo (10) como se muestra.

Página 51: Paso 38

Para este paso se necesitará una escalera. Con la ayuda de otra persona, ensamble las luces LED (24d) desensambladas en la parte superior (C) con el tornillo (11). Pase los cables de las luces LED (24d) a través de los orificios en la parte superior (C) para permitir que los cables se coloquen encima de la parte superior (C). Eliminamos el mecanismo del marco de cama de la ilustración para mostrar mejor este paso.

Orificio para cable

Página 52: Paso 39

Volver a enganchar

Enchufe de luz

Luz LED

Con la ayuda de otra persona, pase los cables de las luces LED a través del soporte de cables (20) en la parte superior (C) y a través del borde de arriba del panel posterior superior (E) si es necesario. Vuelva a enganchar los enchufes de luz (24d) (que están fijados en el transformador [24a]) en los cables de la luz LED.

Página 53: Paso 40

Para este paso necesitará una escalera. Con la ayuda de otra persona, vuelva a ensamblar las luces LED. Primero coloque la lente en la base y luego vuelva a atornillar la tapa a la base, como se muestra abajo.

Base

Tapa

Lente

Ajuste los cables necesarios según sea necesario. Asegúrese de que el enchufe de la fuente de alimentación se enrosca donde se encuentra la toma de corriente atendida. Enchúfelo en la toma de corriente y asegúrese de que la luz LED (24) y el disco sensor táctil (25) funcionen correctamente.

Español

Página 54: Paso 41

Borde sin acabado

Página 55: Paso 42

Borde sin acabado

Página 57: Paso 44

Con la ayuda de otra persona, sostenga la vertical superior (O) en posición recta y estable y coloque el panel central (S) detrás de los soportes, presionando el panel al ras de la placa metálica (23). Use el tornillo (12) para ensamblar las dos partes. Después ensamble las asas (22) con el perno (9)

Página 59: Paso 46

Riel de soporte

IMPORTANTE: Primero desbloquee y gire la pata hacia el interior del gabinete. Luego baje un poco el marco de cama para dejar espacio libre para enganchar los paneles de las puertas (O, P, Q, R y S).

Con la ayuda de otra persona, coloque la vertical inferior (P) en el lado derecho del marco de cama. Levante la vertical inferior (P), coloque los soportes (27) sobre los dos rieles de soporte inferiores del marco de cama y déjelos caer a su posición.

No se muestra el gabinete para permitir una visión clara del conjunto del marco de cama.

Página 60: Paso 47

Con la ayuda de otra persona, baje el marco de cama hasta la posición abierta. Una persona deberá sostener el marco de cama en posición abierta mientras la otra coloca la horizontal inferior (R). Coloque la horizontal inferior (R) a la izquierda de la vertical inferior (P). Deslice la horizontal inferior (R) de manera que posicione los soportes (27) sobre el riel de soporte inferior del marco de cama y colóquela en su lugar.

Entre aquí

Puede colocarse dentro del marco de cama para acomodar mejor la horizontal inferior (R).

Página 61: Paso 48

Mientras una persona sigue sujetando el marco de cama abierto, otra ensamblará los soportes de la puerta (21).

No apriete completamente estos tornillos en este paso.

Página 62: Paso 49

Con la ayuda de otra persona, cierre el marco de cama. Coloque la vertical superior (O) y el panel central (S) ensamblados a la izquierda de la vertical inferior (P) y encima de la horizontal inferior (R). Levante la vertical superior (O) y el panel central (S) ensamblados, coloque los soportes (27) sobre los dos rieles de soporte superiores del marco de cama y colóquelos en su posición.

No se muestra el gabinete para permitir una visión clara del conjunto del marco de cama.

Página 63: Paso 50

Con la ayuda de otra persona, coloque la horizontal superior (Q) encima de la vertical inferior (P). Levante la horizontal superior (Q), coloque los soportes (27) sobre el riel de soporte superior del marco de cama y colóquelos en su posición.

No se muestra el gabinete para permitir una visión clara del conjunto del marco de cama.

Página 64: Paso 51

Con la ayuda de otra persona, abra con cuidado el marco de cama. Coloque las cuatro placas metálicas restantes (23) como se muestra. Asegúrese de que no queden huecos entre los paneles. Use el tornillo (12) para fijar las placas metálicas (23).

No se muestra el gabinete para permitir una visión clara del conjunto del marco de cama.

Página 65: Paso 52**Apriete todos los tornillos en este paso!**

Consulte la página siguiente para ubicaciones de soporte y tornillos utilizados.

Estos dos soportes (21) son ya en posición.

Alinee todo el conjunto de modo que los bordes queden alineados con el marco de cama y empuje hacia arriba contra la pata. Esto ajustará el espacio de arriba. Luego fije los paneles al marco de cama con los soportes restantes (21). Consulte la página siguiente para Ubicaciones de los soportes y tornillos utilizados.

Página 66: Paso 52 continuación...

La vista es mirando desde arriba... mostrando las ubicaciones de los soportes (21).

CÍRCULOS NEGROS: Las ubicaciones para usar el tornillo (18) y el tornillo (12) para sujetar el soporte (21).

CÍRCULOS ROJOS: Las ubicaciones para usar el tornillo (2) y el tornillo (12) para sujetar el soporte (21).

Pata

Página 67: Paso 53

Presione una tapa de plástico (19j) en cada extremo de una tablilla de madera (19g). Presione ambas tapas de plástico (19j), unidas a la tablilla de madera, en los orificios del marco metálico de la cama. Repita el procedimiento con las 30 tablillas de madera y las 60 tapas de plástico.

Deslice las tablillas de madera por debajo de las correas en cada esquina.

Página 68: Cargas máximas

Esta unidad está diseñada para soportar las cargas máximas indicadas. Exceder estos límites de carga podría causar pandeo, inestabilidad, colapso del producto o lesiones graves.

Esta cama está diseñada para acomodar un colchón Queen, de hasta 25,4 cm (10 pulgadas) de grosor.

*** con un peso máximo de 31,8 kg (70 lb)**

*** con un peso mínimo de 15,9 kg (35 lb)**

Cuando haya terminado de ensamblar su cama de pared, conserve el manual de ensamblaje colocándolo debajo del colchón, en el marco de la parte móvil de la cama.

Precaución: Pueden ser necesarias dos personas para abrir y cerrar la cama.

Cuando haya colocado la sábana bajera en el colchón, asegúrelo con las correas suministradas en las 4 esquinas del marco de cama.

Mantenga la cama cerrada cuando no se use. Se recomienda no dejar almohadas o cojines decorativos cuando la cama esté cerrada para conservar el mecanismo.

Página 69: Registre su producto para recibir lo siguiente:

*** Detalles de las nuevas tendencias: un vistazo de las novedades.**

*** Encuestas: haga oír su voz en nuestra comunidad.**

*** Ofertas exclusivas y códigos de descuento.**

*** Servicio de piezas de repuesto rápido y sencillo.**

Para registrar su producto, visite ameriwoodhome.com

Calificación de 5 estrellas

Visite el sitio web de su distribuidor local, valore el producto adquirido y ¡déjenos su opinión!

¡Gracias!

Français

Page de couverture
Lit mural Queen Size

Date d'achat
Numéro de lot

AVERTISSEMENT :

* **AVERTISSEMENT POUR LES JEUNES ENFANTS** : Ce produit contient de petits éléments, veuillez vous assurer qu'ils sont tenus à l'écart des jeunes enfants. Les enfants de moins de six ans, les nourrissons et les bébés ne doivent pas dormir sur ce lit pour des raisons de sécurité. Pour éviter les blessures et les dommages à cet appareil, INTERDISEZ de sauter dessus.

* Ce produit est conçu pour un usage domestique et n'est pas destiné à un usage commercial.

L'installation professionnelle est requis pour cet appareil.

CE LIVRET D'INSTRUCTIONS CONTIENT DES INFORMATIONS IMPORTANTES EN MATIERE DE SECURITE. VEUILLEZ LE LIRE ET LE CONSERVER POUR VOUS Y RÉFÉRER ULTÉRIEUREMENT.

Ne renvoyez pas ce produit!

Contactez d'abord notre service clientèle pour obtenir de l'aide.

Appelez le 1-800-489-3351 (numéro gratuit)

Du lundi au vendredi, de 9 h à 17 h, heure du Centre

Rendez-vous sur le site www.ameriwoodhome.com

AVERTISSEMENT

- L'appareil peut basculer et provoquer des blessures graves, voire mortelles.
- Ancrez l'appareil à un montant dans le mur.
- Ne laissez pas les enfants grimper sur l'appareil

Indicateur de difficulté d'assemblage

Suivez Ameriwood Home

Contactez-nous! (page 2)

Ne renvoyez pas ce produit!

Contactez d'abord notre sympathique équipe de service à la clientèle pour obtenir de l'aide.

Appelez-nous! 1-800-489-3351

Du lundi au vendredi

Rendez-vous sur le site ameriwoodhome.com pour consulter la garantie limitée en vigueur aux États-Unis et au Canada.

Conseils d'assemblage

Conseils utiles**PERSONNES NÉCESSAIRES POUR L'ASSEMBLAGE : 2**

- Ouvrez votre article à l'endroit où vous prévoyez de le conserver afin d'éviter de le soulever trop lourdement.
- Identifiez, trie et comptez les pièces avant de procéder à l'assemblage.
- Veillez à toujours orienter la pointe de la partie supérieure de la serrure à came vers le bord extérieur.
vers le bord extérieur.
- N'utilisez PAS de produits chimiques agressifs ou de nettoyeurs abrasifs sur cet article.
- Ne poussez, ne tirez ou ne traînez jamais votre meuble.

Avant de commencer (page 3)

- Lisez attentivement chaque étape et suivez l'ordre approprié.
- Séparez et comptez toutes vos pièces et votre matériel. Les pièces sont étiquetées sur la surface ou le bord de la pièce.
- Prévoyez suffisamment d'espace pour le processus de montage.
- Munissez-vous des outils suivants : tournevis cruciforme n° 2, marteau, niveau, détecteur de goujons, crayon, escabeau, maillet en caoutchouc et perceuse avec mèches de 1/8 de po et 1/4 de po.
- Attention : si vous utilisez une perceuse ou un tournevis électrique pour visser, veillez à ralentir et à vous arrêter lorsque la vis est serrée. Réduisez le couple de serrage à un niveau inférieur pour que la perceuse saute lorsque la vis est serrée. Si vous ne le faites pas, vous risquez de dénuder la vis.

Système de fixation par verrou à came

Ce système de fixation par verrou à came sera utilisé tout au long du processus d'assemblage.

Identification du tableau (page 4)

Taille non réelle

Liste des pièces			
Article	Quantité	Numéro de pièce	Description de l'article
A	1	34335356010	Panneau gauche
B	1	34335356020	Panneau droit
C	1	34335356030	Dessus
D	1	34335356040	Dessous
E	1	34335356050	Panneau arriere superieur
F	2	34335356060	Panneau arriere central
G	1	34335356070	Etagere superieur
H	1	34335356080	Panneau de tete de lit
I	1	34335356090	Traverse inferieure
J	1	34335356100	Etagere inferieure
K	1	34335356110	Rail de l'etagere
L	1	34335356120	Rail lateral gauche
M	1	34335356130	Rail lateral droit
N	1	34335356140	Rail arriere superieur
O	1	34335356150	Vertical superieur
P	1	34335356160	Vertical inferieur
Q	1	34335356170	Horizontal superieur
R	1	34335356180	Horizontal inferieur
S	1	34335356190	Panneau central

Page 6

Notez que votre appareil peut contenir du matériel supplémentaire

Liste des pièces

Taille réelle

- | | | |
|-------------------------|--------------------------|---|
| 1. Verrou à came | 11. Vis #6 x 5/8" pan | 21. Support de porte |
| 2. Vis #14 x 1/2" pan | 12. Vis #10 x 1/2" pan | Taille no réelle |
| 3. Vis #8 x 3-1/2" pan | 13. Connecteur de face | 22. Tirer |
| 4. Boulon de came | 14. Vis #6 x 1-1/2" pan | 23. Plaque de connexion |
| 5. Vis #8 x 5/8" flat | 15. Boulon - 1/2" | 24. Kit d'éclairage à double DEL, illustré aux pages 31 et 32 |
| 6. Pied | 16. Boulon d'assemblage | 25. Disque du capteur tactile |
| 7. Écrou | 17. Connecteur | 26. Étiquette d'avertissement |
| 8. Cheville en bois | 18. Vis #5/16 x 3/4" pan | 27. Support de porte |
| 9. Boulon - 7/8" | 20. Support de câble | |
| 10. Vis #8 x 1-1/4" pan | | |

Page 8: Identification du cadre de lit

Taille non réelle

Remarque : toutes les pièces ne sont pas identifiées.

19a - Cadre gauche

19b - Cadre droit

19c - Jambe

19d - Support de matelas

19e - Bras pivotant gauche

19f - Bras pivotant droit

19g - Lamelle en bois

19h - Piston à gaz

19i - Support en U

19j - Capuchon en plastique

19k - Goupille de pivot

19l - Grande broche de chape

19m - Petite broche de chape

19n - Goupille fendue

19o - Boulon - M6 x 16mm

19p - Boulon - M6 x 10mm

19q - Laveuse

19r - Écrou hexagonal

19s - Clé hexadécencation

19t - clé réglable

19u - Pied en caoutchouc

Page 9

Avant de commencer !

INFORMATION TRÈS IMPORTANTE !

INSTALLATION PROFESSIONNELLE REQUISE

Attention : Ne pas faire appel à 2 professionnels pour ce montage pourrait endommager l'appareil ou causer des blessures.

Page 10 : étape 1**Conseils utiles**

Enfoncez le connecteur de face (13) dans les trous du panneau arrière supérieur (E), puis engagez l'autre extrémité des connecteurs de face (13) dans les trous du rail arrière supérieur (N). Appuyez sur les deux parties pour les verrouiller.

Remarque : les pièces seront lâches dans les trous jusqu'à ce que vous appuyiez sur les deux pièces ensemble. À ce moment-là, les extrémités se comprimeront pour s'ajuster parfaitement.

Orientation correcte du verrou à came

Bord terminé

RETOURNER

Page 11 : étape 2

Orientation correcte du verrou à came

Page 12 : étape 3

Orientation correcte du verrou à came

Orientation correcte du connecteur

Page 13 : étape 4

Orientation correcte du verrou à came

Page 14 : étape 5

Orientation correcte du connecteur

Page 18 : étape 9

Enfoncez le connecteur de face (13) dans les trous du panneau gauche (A). Engagez ensuite l'autre extrémité des connecteurs de face (13) dans les trous du rail latéral gauche (L). Appuyez sur les deux parties pour les verrouiller.

Nota: Las piezas estarán sueltas en los orificios hasta que presione ambas partes. En ese momento, los extremos se comprimirán para obtener un ajuste firme.

Page 19 : étape 10

Le bras pivotant gauche (19e) se trouve dans la boîte du mécanisme de lit mural 9632096COM.

Page 20 : étape 11

Enfoncez le connecteur de face (13) dans les trous du panneau droit (B). Engagez ensuite l'autre extrémité des connecteurs de face (13) dans les trous du rail latéral droit (M). Appuyez sur les deux parties pour les verrouiller.

Nota: Las piezas estarán sueltas en los orificios hasta que presione ambas partes. En ese momento, los extremos se comprimirán para obtener un ajuste firme.

Page 21 : étape 12

Le bras pivotant droit (19f) se trouve dans la boîte du mécanisme de lit mural 9632096COM.

Page 22 : étape 13

Tournez dans le sens des aiguilles d'une montre pour verrouiller en place

Veillez noter que le rail de l'étagère (K) est symétrique.

Page 23 : étape 14

Tournez dans le sens des aiguilles d'une montre pour verrouiller en place

Surface non finie

Bord non fini

Page 24 : étape 15

Commencez par assembler le panneau arrière supérieur (E) au panneau gauche (A). Ensuite, assemblez l'un des panneaux arrière centraux (F) au panneau gauche (A).

La cheville est plus proche du bord ici

Veillez noter que le rail arrière supérieur (N) est assemblé sur la surface finie du panneau arrière supérieur (E).

Surfaces non finies

Page 25 : étape 16

Appuyez sur les chevilles pour les mettre en place. Utilisez doucement un maillet en caoutchouc si nécessaire.

Page 26 : étape 17

Surface non finie

La cheville est plus proche du bord ici

Page 27 : étape 18

Surface non finie

Page 28 : étape 19

Bord non fini

bord fini

Page 29 : étape 20

Commencez à une extrémité et allez jusqu'à l'autre extrémité pour aligner les pièces avant de verrouiller les serrures à came.

Page 30 : étape 21

Avec l'aide d'une autre personne, posez délicatement l'appareil sur le devant de façon à ce que les patins soient orientés vers le mur.

Tapez sur la douille (7) à l'aide d'un marteau.

Vissez à fond les patins réglables (6).

Page 31 : étape 22**Matériel électrique**

Informations sur la longueur du cordon :

1. Le cordon d'alimentation est de 72 pouces depuis le transformateur jusqu'à l'extrémité de la fiche.
2. Le câble en boucle pour le disque du capteur, à partir du transformateur, est de 48 pouces jusqu'au centre de la boucle.
3. Le fil d'éclairage qui se termine par une pince (qui sera éventuellement connectée au module d'éclairage), ce fil, du transformateur, est de 30 cm jusqu'à la pince.
4. Le fil du module d'éclairage sort du disque d'éclairage et s'étend sur 5 pouces jusqu'au centre de l'attache.

Le kit d'éclairage à deux DEL comprend :

24a. Transformateur

24b. Cordon d'alimentation

24c. Cordon du capteur de boucle

24d. Lumières à DEL doubles avec fiches d'éclairage

Disque du capteur tactile (emballé séparément)

Le disque de détection tactile a trois options de luminosité.

- Touche 1 : lumière de nuit
- Touche 2 : lumière d'économie d'énergie
- Touche 3 : lumière de lecture brillante
- Touche 4 : éteindre

Veillez noter que le matériel d'assemblage n'est pas inclus dans ces paquets. Mais elles sont fournies dans le sac de matériel.

Page 32 : étape 22, suite...

Assemblage du kit d'éclairage à DEL

Ouvrez l'emballage du kit d'éclairage à DEL. Tout sera assemblé. Commencez par déclipser la lampe à DEL de la fiche de la lampe, comme indiqué...

Fiche de la lampe

Déclipser

Lumière à DEL

Ensuite, vous devez démonter la lampe à DEL. Dévissez le couvercle de la base, puis retirez la lentille. Mettez ces pièces de côté en toute sécurité.

Module d'éclairage

Lentille

Base

Couvercle

Page 33 : étape 23

Placez le transformateur (24a) sur le panneau de tête de lit (H) à l'endroit indiqué. Utilisez la vis (14) pour fixer le transformateur (24a). Enfilez la fiche d'alimentation (24b) devant la traverse inférieure (I) si nécessaire pour la source d'alimentation.

Page 34 : étape 24

Avec l'aide d'une autre personne, redressez l'appareil avec précaution. Au cours de ces étapes, permettez à une autre personne de tenir fermement l'appareil pour l'empêcher de basculer. Placez le disque du capteur tactile (25) à l'endroit indiqué sur la tablette inférieure (J).

Page 35 : étape 25

Avec l'aide d'une autre personne qui maintient l'appareil bien droit, prenez le capteur à boucle (24c) qui est connecté au transformateur (24a) et placez-le sous la tablette inférieure (J) à l'emplacement de l'orifice du disque du capteur tactile (25). Faites passer la vis (15) à travers le capteur à boucle et vissez-la dans le disque du capteur tactile (25).

Une fois la vis (15) complètement serrée, faites remonter les fils de la prise d'éclairage (24d) le long de la face arrière de l'appareil. Faites passer les fils à travers le collier de serrage (20) sur le bord supérieur du panneau arrière supérieur (E). **Fixez les fils pour qu'ils ne tombent pas derrière l'appareil lorsque vous le fixez au mur.**

Fils de la prise d'éclairage (24d)

Page 36 :

Les prochaines étapes consistent à assembler votre unité au mur

INSTALLATION PROFESSIONNELLE REQUISE

L'unité assemblée DOIT être carrée sur la hauteur, la largeur, et de la profondeur pour fonctionner correctement

L'unité assemblée DOIT être placée à plat contre le mur

L'unité assemblée DOIT être vissée en 3 Montants muraux en haut et en bas pour plus de sécurité

Les vis fournies sont pour les cloisons sèches et les montants en bois. Si les murs sont de la maçonnerie, du béton ou d'autres matériaux muraux : matériel approprié pour fixer solidement votre appareil au mur

N'utilisez PAS d'ancrages muraux pour fixer votre appareil au mur

La relocalisation n'est pas suggérée après l'assemblage !

Page 37 : étape 26

Avec l'aide d'une autre personne, placez votre appareil contre le mur.

Assurez-vous que les fils de la prise d'éclairage (24d) sont bien fixés dans le support de fils (20) situé sur le panneau arrière supérieur (E).

Selle de fils (20)

Ne coupez PAS dans le lit!

Des encoches sont prévues à l'arrière de votre appareil. Ces encoches sont destinées à s'adapter à la plinthe de votre mur. Si votre plinthe est plus haute ou plus épaisse que les encoches prévues sur l'appareil, vous devrez retirer la plinthe, la couper pour qu'elle s'adapte aux deux côtés de l'appareil, puis la fixer à nouveau au mur.

Page 38 : étape 27

L'appareil assemblé DOIT être affleurant en hauteur, en largeur et en profondeur pour fonctionner correctement.

Un escabeau sera nécessaire. Ne vous appuyez pas sur la partie supérieure de l'appareil, cela pourrait provoquer un affaissement.

Si nécessaire, dévissez les patins dans le sens inverse des aiguilles d'une montre aux quatre coins jusqu'à ce que l'appareil soit de niveau dans toutes les directions.

Page 39 : étape 28

Localisez les montants dans le mur à l'aide d'un détecteur de montants. À l'aide d'un crayon, marquez l'emplacement des montants sur la surface supérieure du panneau arrière supérieur (E), juste sous la traverse arrière supérieure (N). À l'aide d'un niveau, reportez l'emplacement des montants jusqu'à la traverse inférieure (I) et, à l'aide d'un crayon, marquez l'emplacement des montants.

Vous devez en localiser au moins 3 Différents goujons, à l'horizontale direction, mais 4 c'est mieux.

Vous aurez besoin d'un escabeau. Ne vous appuyez pas sur la partie supérieure de l'unité, vous risqueriez de l'affaisser.

Distance moyenne entre les montants (16 ")

Page 40 : étape 29

Tout d'abord, assurez-vous que votre appareil est toujours de niveau dans toutes les directions.

Percez des avant-trous de 3 mm (1/8 de po) à travers le panneau arrière supérieur (E) et la traverse inférieure (I) au niveau des marques de repérage des montants. Fixez l'appareil aux montants du mur à l'aide des vis (3).

Vous aurez besoin d'un escabeau. Ne vous appuyez pas sur la partie supérieure de l'unité, vous risqueriez de l'affaisser.

Page 41 :

Les étapes suivantes consistent à assembler le cadre et le mécanisme du lit en métal.

Ces pièces se trouvent dans le carton du mécanisme du lit mural n° 9632096COM.

Page 42 :

Pressez dans chaque trou.

Vous pouvez avoir besoin d'un maillet en caoutchouc.

Page 45 : étape 33

Extrémité longue

Extrémité courte

L'extrémité "longue" de chaque piston doit être fixée au cadre. Les extrémités des deux pistons doivent être insérées dans la rainure du cadre du lit lorsqu'elles sont assemblées.

Les extrémités des deux pistons doivent à insérer dans la rainure du cadre de lit lorsqu'il est assemblé.

Page 46 : étape 34

L'armoire n'est pas montrée pour permettre une vue claire de l'assemblage du cadre de lit.

Les pistons ont été retirés de l'image pour mieux voir les étapes.

Déjà fixés à l'unité

Avec une personne de chaque côté, soulevez le mécanisme du lit, alignez les trous de l'assemblage du lit avec le grand trou du bras pivotant gauche et droit (19e et 19f) déjà installé sur votre unité, et insérez les goupilles pivotantes (19k) comme indiqué. Fixez les pivots à l'aide d'un boulon de 10 mm (19p).

Ne fixez pas les pistons aux bras pivotants gauche et droit à ce stade, vous le ferez à l'étape 35.

Page 47 : étape 35

Avec une personne de chaque côté, soulevez avec précaution le sommier en position fermée. Pendant qu'une personne pousse le sommier dans l'armoire, en le faisant passer à 90 degrés, l'autre personne doit engager le piston à gaz « avant » (19h) de chaque côté de l'unité, dans l'axe avant du bras pivotant gauche et droit (19e et 19f). Fixez ensuite fermement à l'aide de deux écrous (19r). Pour engager le piston à gaz « arrière » (19h) de chaque côté de l'unité, remuez lentement et soigneusement le cadre du lit d'avant en arrière jusqu'à ce que vous puissiez insérer les pistons à gaz (19h) sur la goupille arrière du bras pivotant gauche et droit (19e et 19f). Fixez ensuite fermement à l'aide de deux écrous (19r).

Poussez ici dans l'armoire

Cette étape se poursuit à la page suivante...

Page 48 : étape 35, suite...

Passé à 90 degrés

L'image montre le cadre de lit poussé dans l'armoire, passé à 90 d

Page 49 : étape 36

L'armoire n'est pas montrée pour permettre une vue claire de l'assemblage du cadre de lit.

Tirez le cadre de lit vers le bas, puis fixez la jambe (19c) comme indiqué.

Appliquez l'étiquette d'avertissement ici.

Le cadre de lit est équipé d'un mécanisme de verrouillage pour bloquer la jambe (19c) en place. Pour verrouiller ou déverrouiller la jambe, tirez sur le mécanisme de verrouillage.

Page 50 : étape 37

Un escabeau est nécessaire pour cette étape.

Avec l'aide d'une autre personne, placez soigneusement la partie supérieure (C) sur le rail latéral gauche (L), le rail latéral droit (M) et le rail arrière supérieur (N). Utilisez la vis (10) comme indiqué.

Page 51 : étape 38

Un escabeau sera nécessaire pour cette étape. Avec l'aide d'une autre personne, assemblez les lumières à DEL (24d) démontées au sommet (C) à l'aide de la vis (11). Faites passer les fils des lampes à DEL (24d) dans les trous prévus à cet effet dans le dessus (C) pour permettre aux fils d'être placés sur le dessus (C).

Le mécanisme du cadre de lit a été retiré pour mieux illustrer cette étape.

Trou pour le fil

Page 52 : étape 39

Remettez le clip en place

Bouchon de la lumière

Lumière à DEL

Avec l'aide d'une autre personne, faites passer les fils de la lumière à DEL dans le collier de serrage (20) de la partie supérieure (C) et dans celui situé sur le bord supérieur du panneau arrière supérieur (E) si nécessaire. Clipsez les fiches d'éclairage (24d) (qui sont fixées dans le transformateur (24a)) dans les fils de l'éclairage à DEL.

Page 53 : étape 40

Un escabeau est nécessaire pour cette étape. Avec l'aide d'une autre personne, réassemblez les lumières à DEL. Placez d'abord la lentille dans la base, puis vissez le couvercle sur la base, comme indiqué ci-dessous.

Base

Couvercle

Lentille

Ajustez les fils nécessaires selon les besoins. Assurez-vous que la fiche du bloc d'alimentation est enfilée là où se trouve la prise de courant. Branchez dans la prise et assurez-vous que la lumière à DEL (24) et le disque du capteur tactile (25) fonctionnent correctement.

Page 54 : étape 41

Bord non fini

Page 55 : étape 42

Bord non fini

Page 57 : étape 44

Avec l'aide d'une autre personne, tenez la partie verticale supérieure (O) droite et stable et placez le panneau central (S) derrière les supports, en appuyant sur le panneau au niveau de la plaque métallique (23). Utilisez la vis (12) pour assembler les deux parties. Assemblez ensuite les poignées (22) avec le boulon (9).

Page 59 : étape 46

Rail de support

IMPORTANT : Tout d'abord, déverrouillez et basculez le pied dans l'armoire. Ensuite, abaissez un peu le cadre du lit pour permettre l'accrochage des panneaux de porte (O, P, Q, R et S).

Français

Avec l'aide d'une autre personne, positionnez la verticale inférieure (P) sur le côté droit du cadre de lit. Soulevez la colonne verticale inférieure (P), placez les supports (27) sur les deux rails de support inférieurs du cadre de lit et mettez-les en place.

L'armoire n'est pas montrée pour permettre une vue claire de l'assemblage du cadre de lit.

Page 60 : étape 47

Avec l'aide d'une autre personne, abaissez le cadre de lit en position ouverte. Une personne devra maintenir le cadre de lit en position ouverte pendant que l'autre personne place l'horizontale inférieure (D). Placez la partie inférieure horizontale (R) à gauche de la partie inférieure verticale (P). Faites glisser l'élément horizontal inférieur (R) de manière à ce qu'il positionne les supports (27) sur le rail de support inférieur du cadre de lit et mettez-le en place.

Entrez ici

Vous pouvez vous positionner à l'intérieur du cadre de lit pour mieux positionner la barre horizontale inférieure (R).

Page 61 : étape 48

Pendant qu'une personne continue à maintenir le cadre du lit ouvert, une autre personne assemble les supports de la porte (21).

Ne serrez pas complètement ces vis à cette étape.

Page 62 : étape 49

Avec l'aide d'une autre personne, fermez le cadre de lit. Positionnez la partie verticale supérieure (O) et le panneau central (S) assemblés à gauche de la partie verticale inférieure (P) et sur le dessus de la partie horizontale inférieure (R). Soulevez le panneau vertical supérieur (O) et le panneau central (S) assemblés, positionnez les supports (27) sur les deux rails de support supérieurs du cadre de lit et laissez-les tomber en position.

L'armoire n'est pas montrée pour permettre une vue claire de l'assemblage du cadre de lit.

Page 63 : étape 50

Avec l'aide d'une autre personne, placez l'horizontale supérieure (Q) sur la verticale inférieure (P). Soulevez l'horizontale supérieure (Q), placez les supports (27) sur le rail de support supérieur du cadre de lit et mettez-les en place.

L'armoire n'est pas montrée pour permettre une vue claire de l'assemblage du cadre de lit.

Page 64 : étape 51

Avec l'aide d'une autre personne, tirez avec précaution sur le cadre de lit pour l'ouvrir. Placez les quatre plaques métalliques restantes (23) comme indiqué. Veillez à ce qu'il n'y ait pas d'espace entre les panneaux. Utilisez la vis (12) pour fixer les plaques métalliques (23).

L'armoire n'est pas montrée pour permettre une vue claire de l'assemblage du cadre de lit.

Page 65 : étape 52**Serrez toutes les vis à cette étape!**

Reportez-vous à la page suivante pour emplacements des supports et vis utilisées.

Ces deux supports (21) sont déjà en position.

Alignez l'ensemble de manière à ce que les bords soient alignés avec le cadre du lit et poussez contre le pied. Cette opération permet de régler l'espace supérieur. Fixez ensuite les panneaux au cadre de lit à l'aide des supports restants (21). Reportez-vous à la page suivante pour les emplacements des supports et les vis utilisées.

Page 66 : étape 52, suite...

Vue du dessus... montrant l'emplacement des supports (21).

CERCLES NOIRS : Les emplacements à utiliser Vis (18) et Vis (12) pour fixer le support (21).

CERCLES ROUGES : Les emplacements à utiliser Vis (2) et Vis (12) pour fixer le support (21).

Jambe

Page 67 : étape 53

Pressez un capuchon en plastique (20j) à chaque extrémité d'une latte de bois (20g). Enfoncez les deux capuchons en plastique (20j), attachés à la latte de bois, dans les trous du cadre de lit métallique.

Répétez la procédure pour les 30 lattes de bois et les 60 capuchons en plastique.

Faites glisser les lattes de bois sous les sangles à chaque coin.

Page 68 : charges maximales

Cet appareil a été conçu pour supporter les charges maximales indiquées. Le dépassement de ces limites de charge peut entraîner l'affaissement, l'instabilité, l'effondrement du produit ou des blessures graves.

Ce lit est conçu pour accueillir un matelas de taille queen, d'une épaisseur maximale de 10 pouces.

* avec un poids maximum de 70 livres (31,8 kg)

* avec un poids minimum de 35 livres (15,9 kg)

Après avoir assemblé votre lit mural, veuillez conserver le manuel d'assemblage en le plaçant sous le matelas, dans le cadre de la partie mobile du lit.

Attention : deux personnes peuvent être nécessaires pour ouvrir et fermer le lit.

Une fois que vous avez placé votre drap-housse sur votre matelas, fixez ce dernier à l'aide des sangles prévues à cet effet aux quatre coins du cadre de lit.

Gardez le lit fermé lorsqu'il n'est pas utilisé. Il est recommandé de ne pas laisser d'oreillers ou de coussins décoratifs en place lorsque le lit est fermé afin de préserver le mécanisme.

Page 69 : enregistrez votre produit pour recevoir les informations suivantes :

- * Détails des nouvelles tendances : un aperçu de ce qui est nouveau**
- * Sondages : faites entendre votre voix au sein de notre communauté**
- * Offres exclusives et codes de réduction**
- * Service de remplacement de pièces rapide et facile**

Pour enregistrer votre produit, rendez-vous sur ameriwoodhome.com

Classement cinq étoiles

Rendez-vous sur le site Web de votre détaillant local, évaluez le produit que vous avez acheté et laissez-nous vos commentaires!

Merci!