

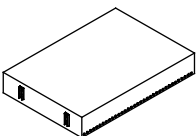
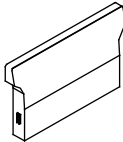
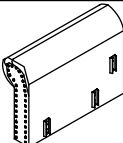
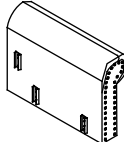
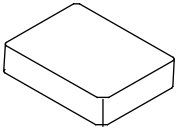
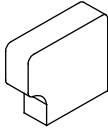
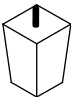
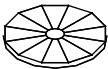
## ASSEMBLY INSTRUCTION

### LOVESEAT

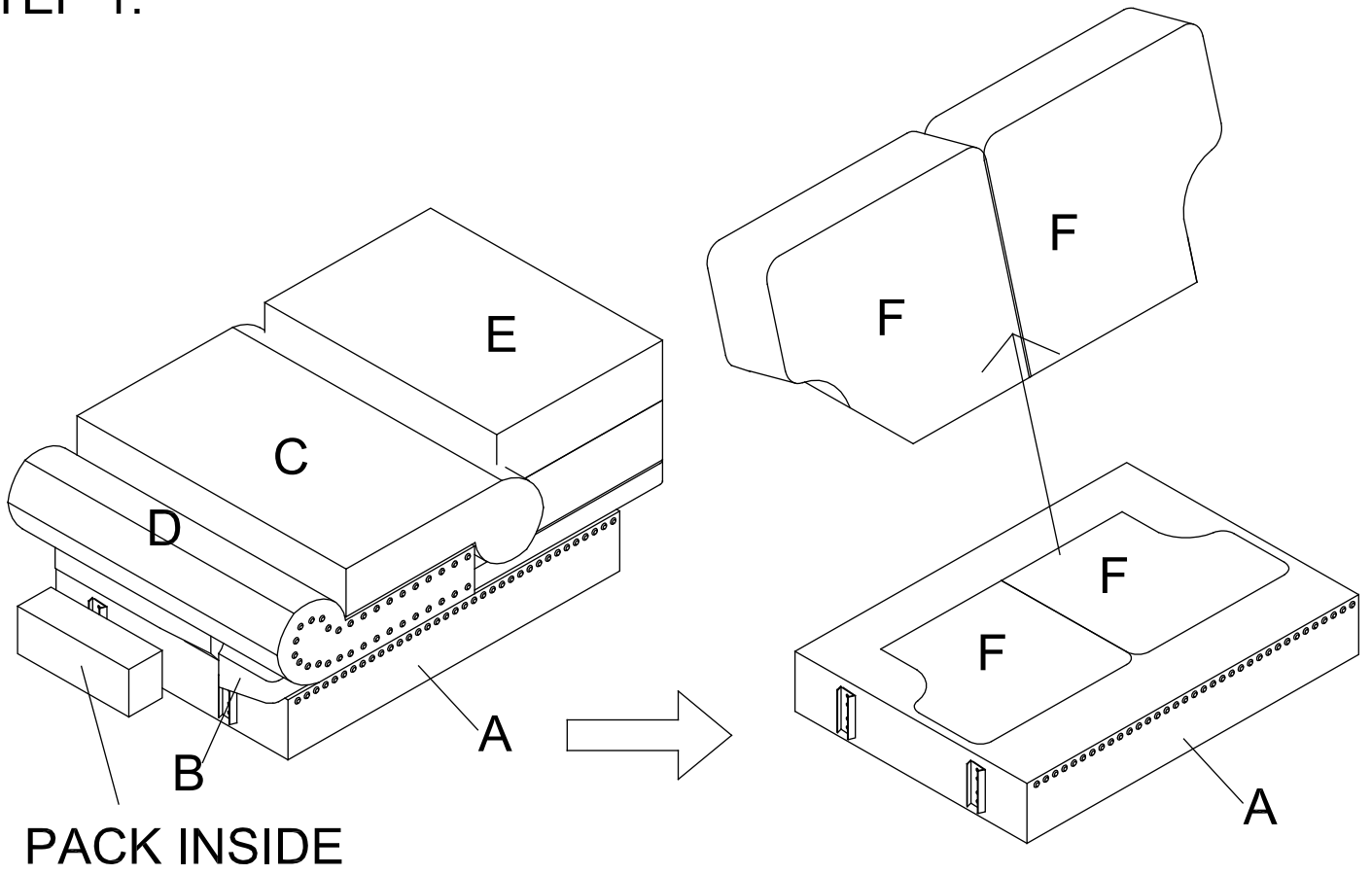


Legs and hardware are stored in box ,  
please take out for assembly.

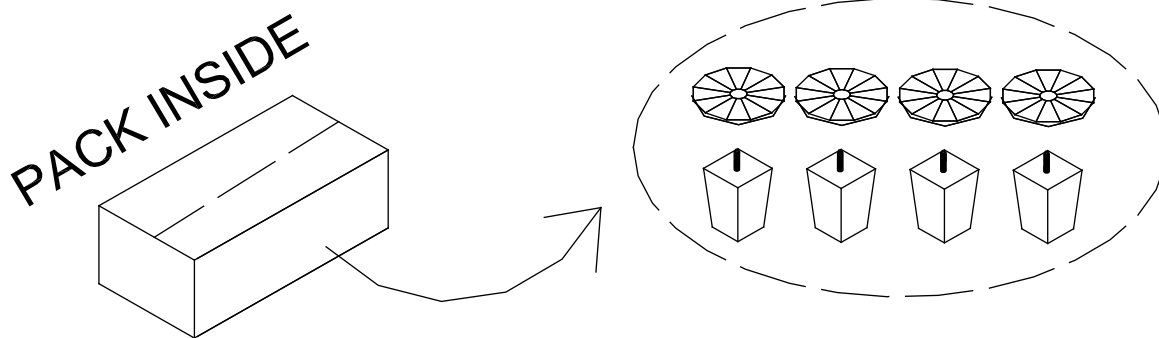
**NOTE:** Do not use power tools for assembly. Power tools increase the risk of over tightening which lead to splitting or cracking the wood.

NO.	DRAWING	QTY	DESCRIPTION
A		1	SEAT
B		1	BACK REST
C		1	LSF ARM
D		1	RSF ARM
E		2	SEAT CUSHION
F		2	BACK CUSHION
G		4	WOODEN LEG 3"*3"*4-3/4"
H		4	GASKET

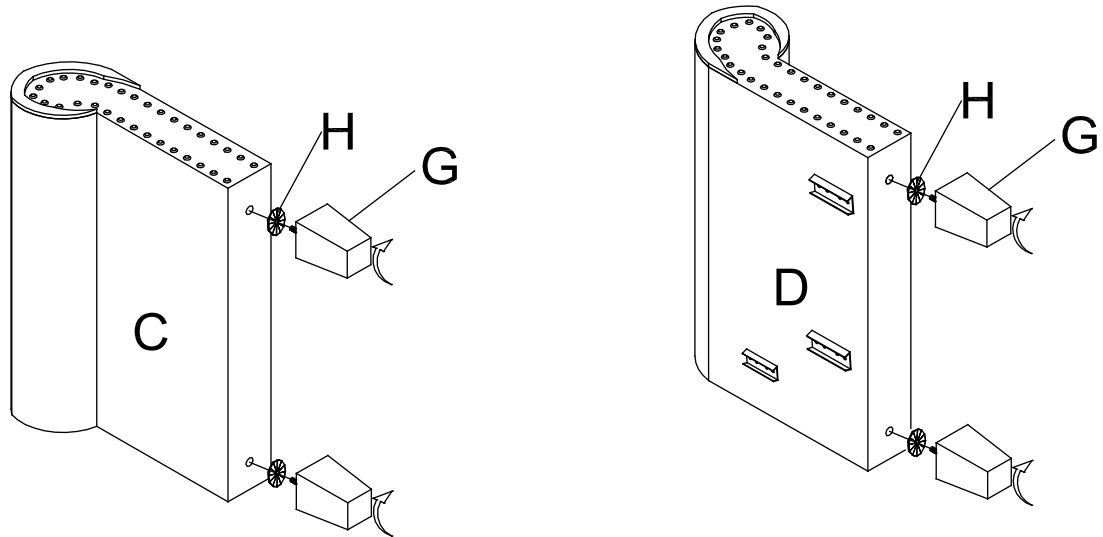
STEP 1:



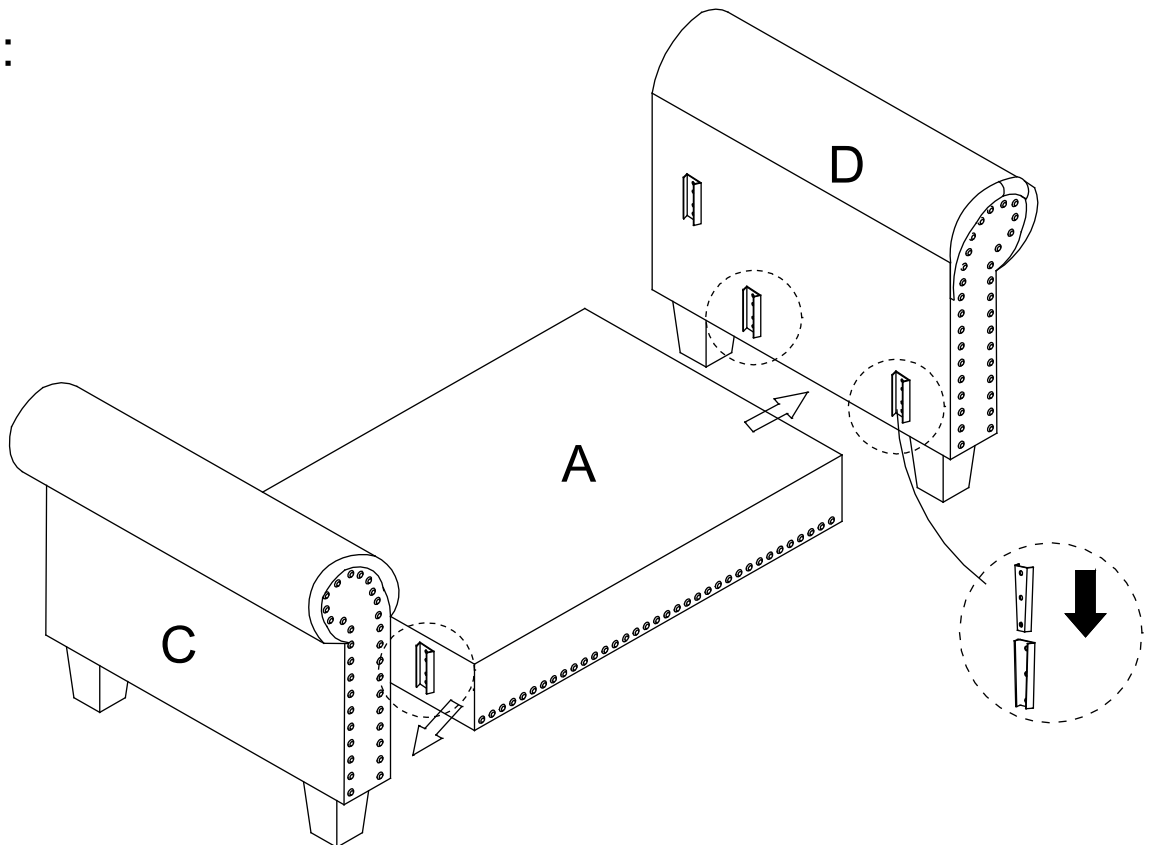
STEP 2:



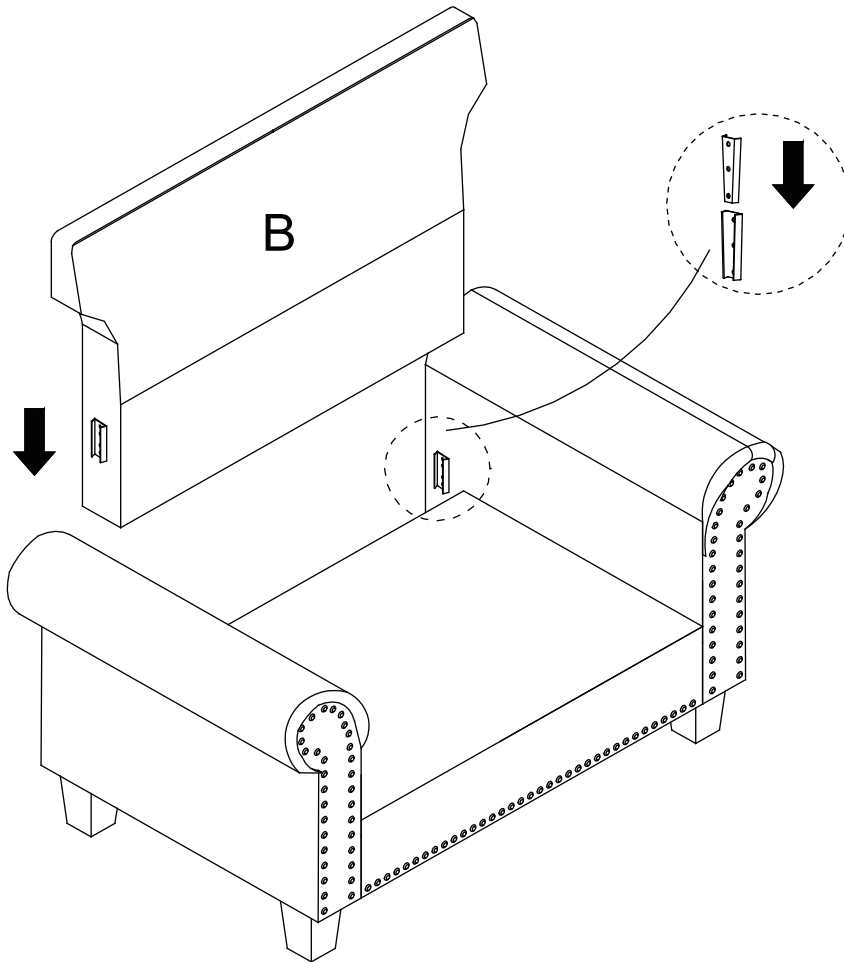
STEP 3:



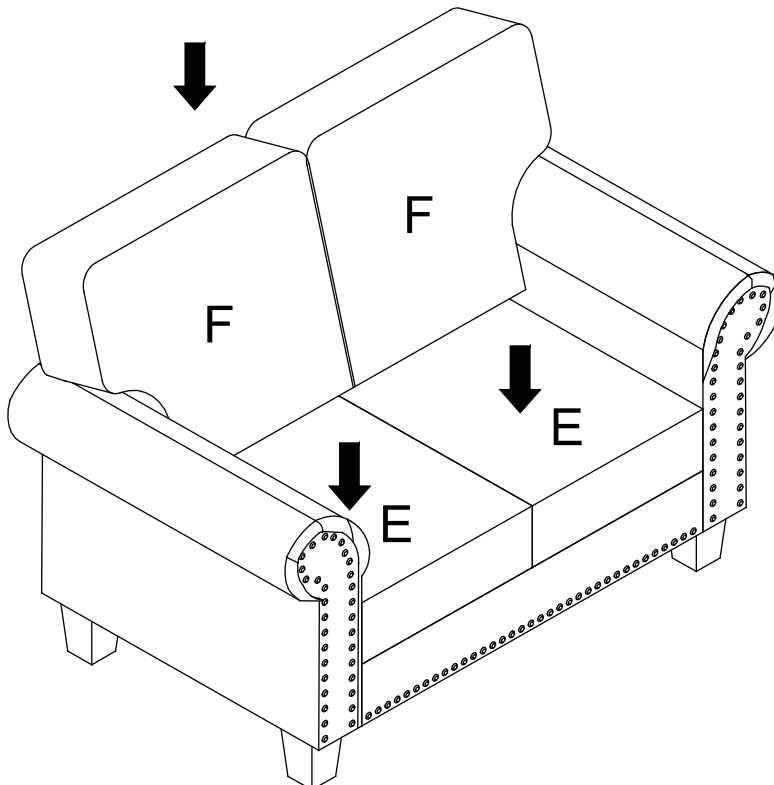
STEP 4:



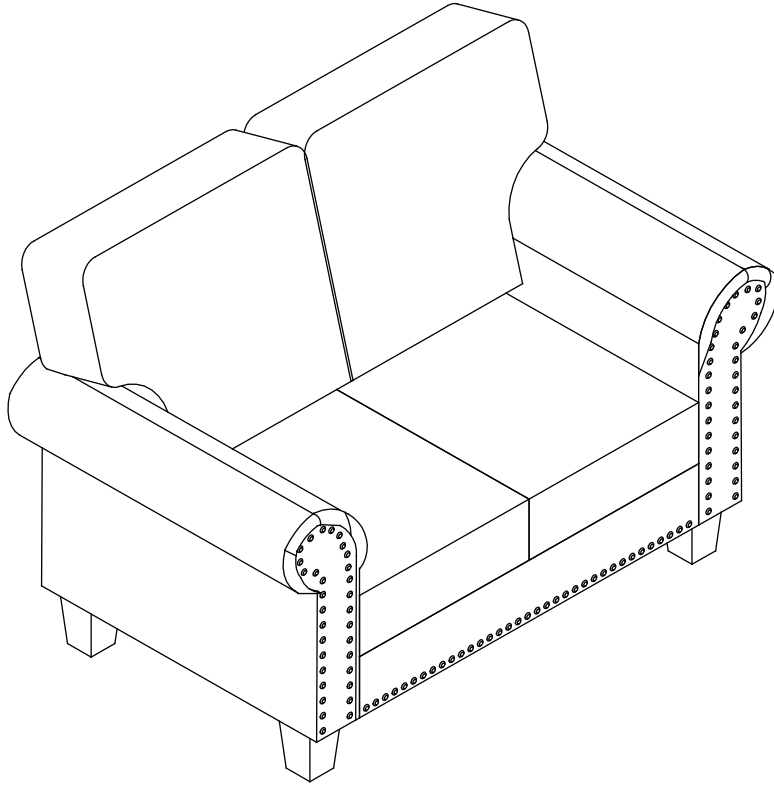
STEP 5:



STEP 6:



## STEP 7:



### **Care instruction for 100% polyester furniture:**

In order to maintain the original appearance of your 100% polyester furniture, please follow below simple care procedures:

- Avoid exposing furniture directly to sunlight or heating or heating conditioning outlets. Sunlight and or exposure to heating and air conditioning outlets will fade/damage fabric.
- Do not place your upholstered furniture too close to windows, radiators, or vents, and be sure to use windows, radiators, or vents.
- Vacuum or wipe with a cloth regularly to remove dust.



For items used on wooden floor, hard surfaces or carpets, it is recommended to install protective pads under all legs and supports to avoid/prevent from damages/scratches and discoloration.

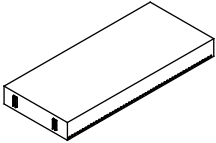
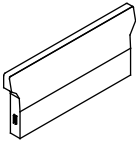
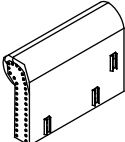
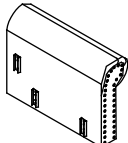
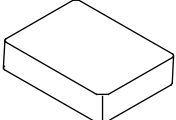
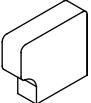
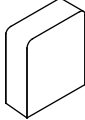

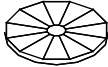
# ASSEMBLY INSTRUCTION

## SOFA

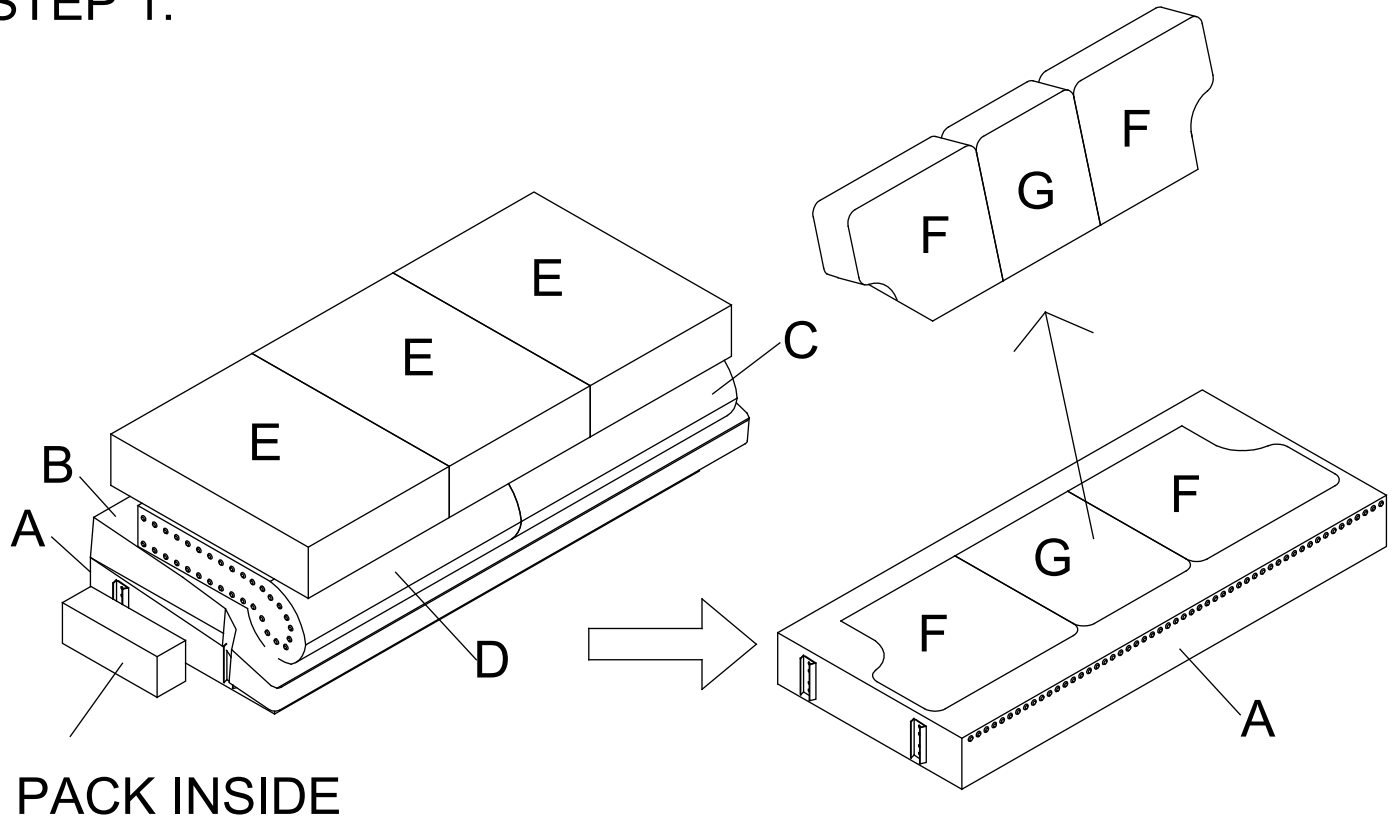


Legs and hardware are stored in box,  
please take out for assembly.

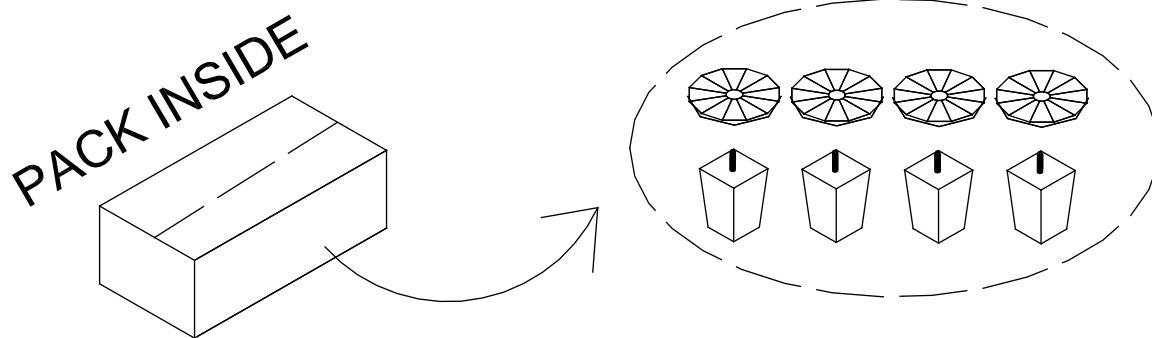
**NOTE:** Do not use power tools for assembly. Power tools increase the risk of over tightening which lead to splitting or cracking the wood.

NO.	DRAWING	QTY	DESCRIPTION
A		1	SEAT
B		1	BACK REST
C		1	LSF ARM
D		1	RSF ARM
E		3	SEAT CUSHION
F		2	BACK CUSHION
G		1	MIDDLE BACK CUSHION
H		4	WOODEN LEG 3"*3"*4-3/4"
J		4	GASKET

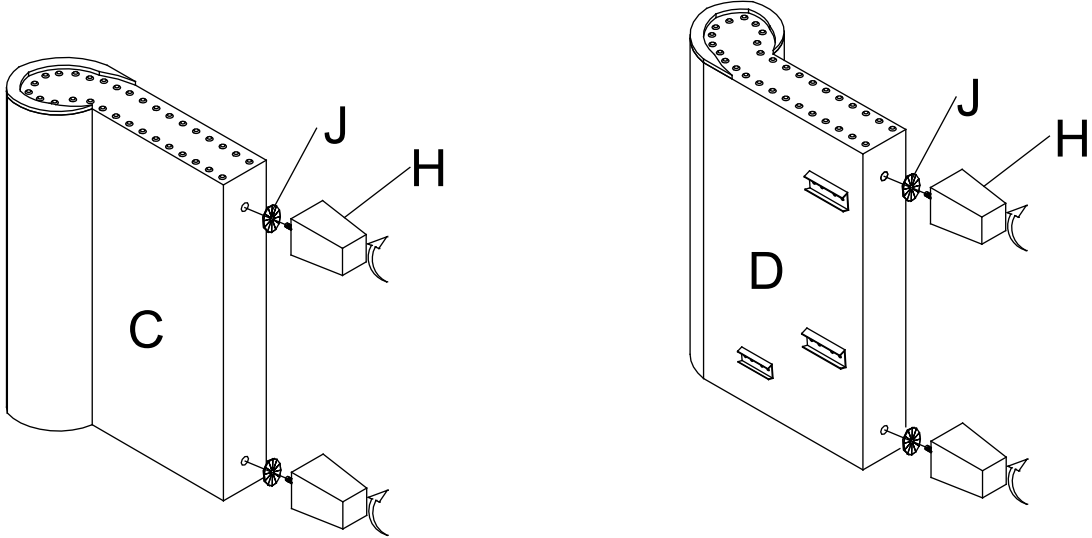
STEP 1:



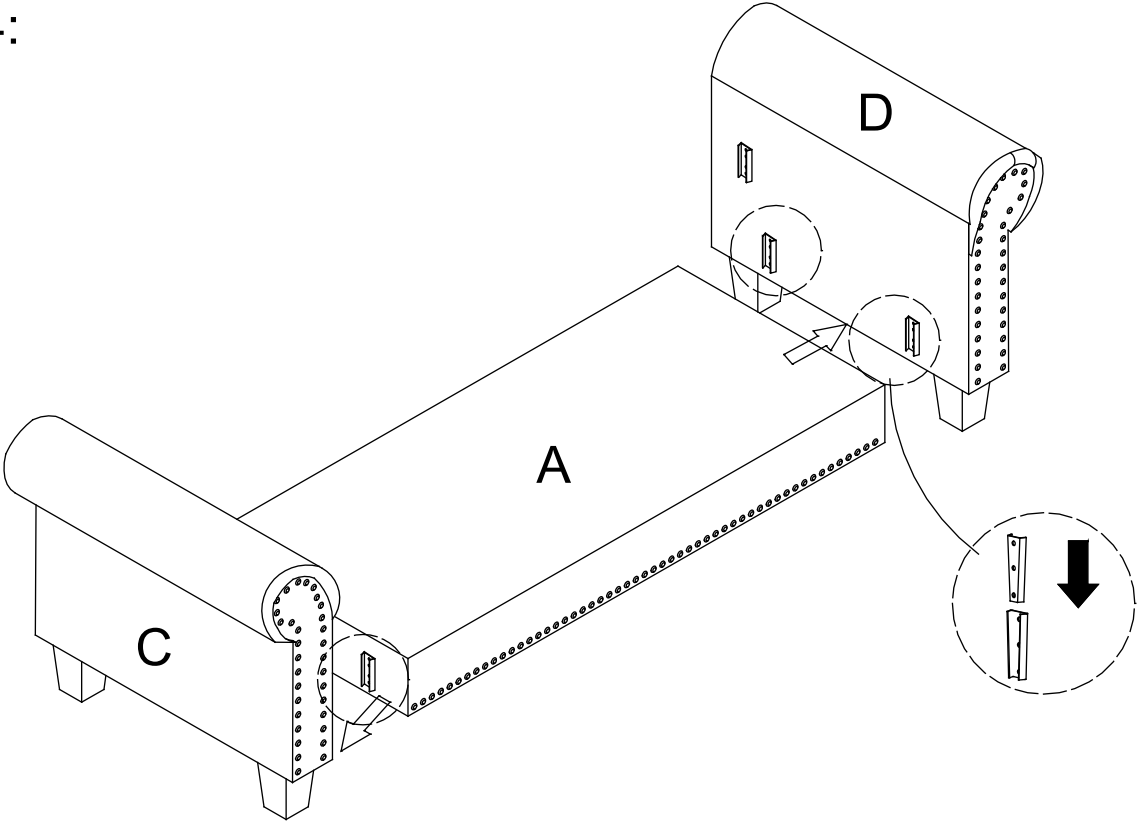
STEP 2:



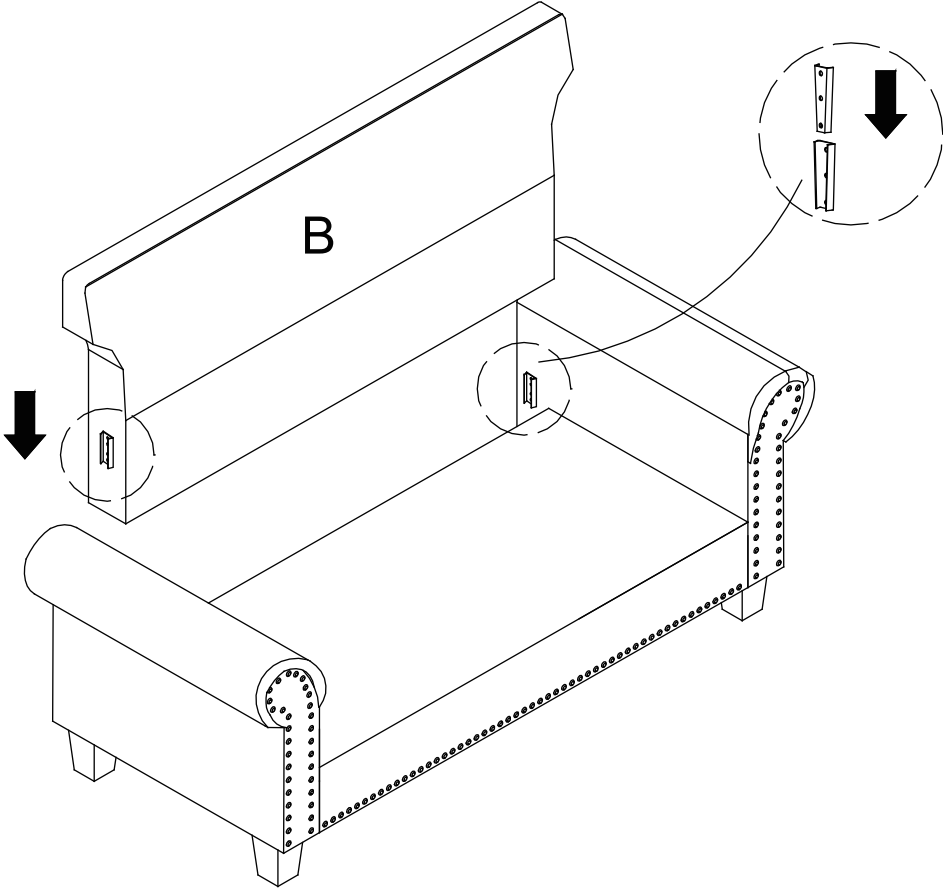
STEP 3:



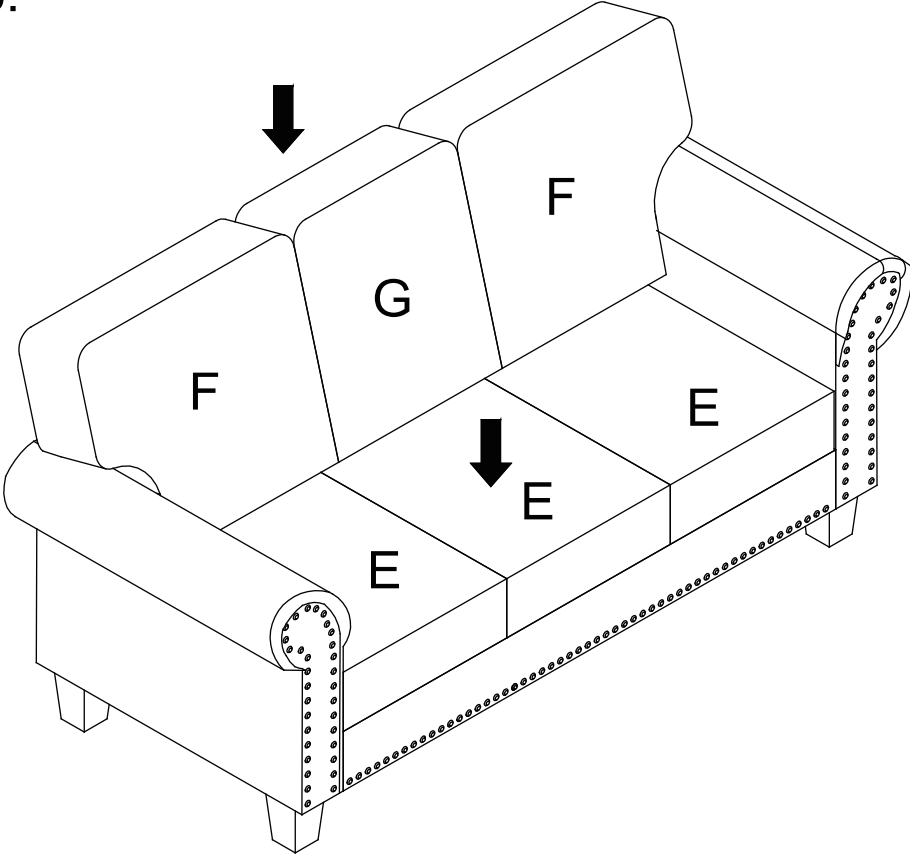
STEP 4:



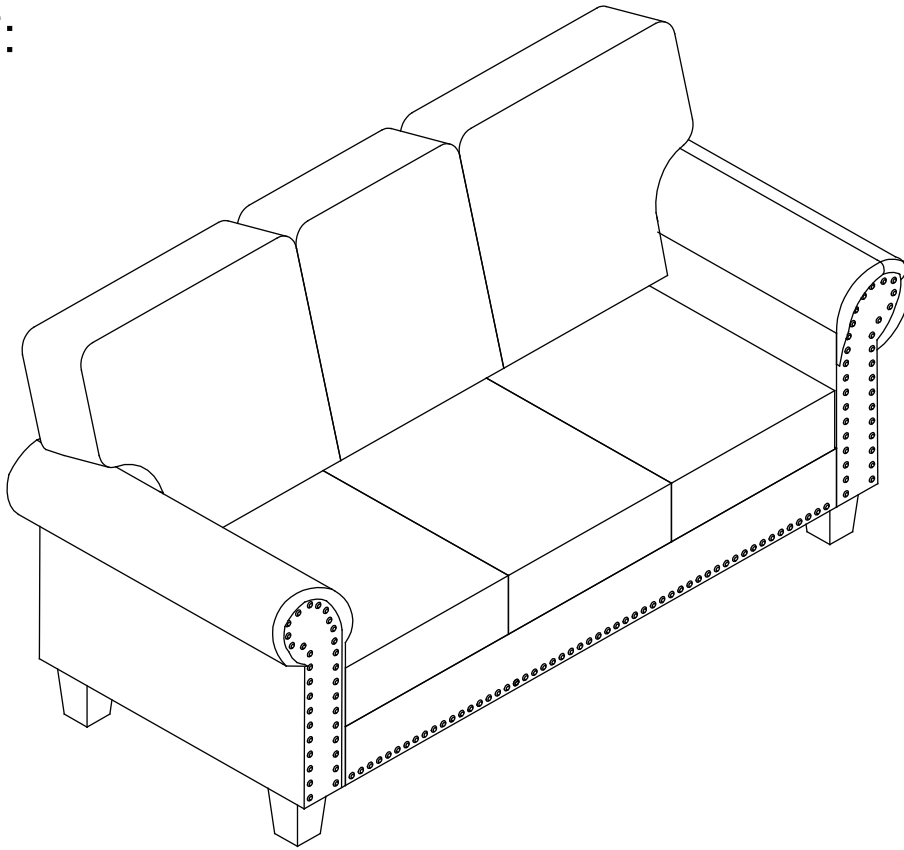
STEP 5:



STEP 6:



## STEP 7:



### **Care instruction for 100% polyester furniture:**

In order to maintain the original appearance of your 100% polyester furniture, please follow below simple care procedures:

- Avoid exposing furniture directly to sunlight or heating or heating conditioning outlets. Sunlight and or exposure to heating and air conditioning outlets will fade/damage fabric.
- Do not place your upholstered furniture too close to windows, radiators, or vents, and be sure to use windows, radiators, or vents.
- Vacuum or wipe with a cloth regularly to remove dust.



For items used on wooden floor, hard surfaces or carpets, it is recommended to install protective pads under all legs and supports to avoid/prevent from damages/scratches and discoloration.