

Tv Stand

assembly guide



Valued Customer,

We design and carefully manufacture our products for our customers, We wish that our customers to have fun while they are doing their new furniture

The product you just purchased was subjected to all sorts of tests and controls before sending out to you.

Hope you enjoy your new furniture!!!

Before starting, please check all components and accessories according to the provided list. If you purchased more than one product, to prevent confusion, be sure that you completed the first product, then start the next one. Please make sure that you select correct numbered part and use specific connector to assemble. We do not recommend any modification or rotation in assembly. Please follow the manual carefully.

Furniture parts are going to several manufacturing procedures. During this process, parts can have little dust or marks. Please clean the parts with damp cloth before assembly to get the best result. Usual cleaning would be suffice.

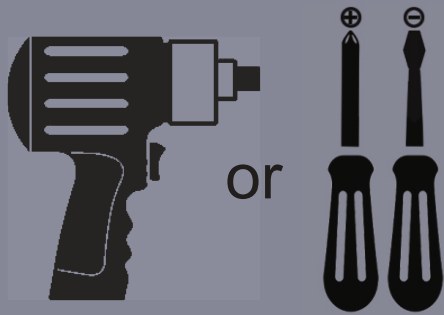


Although all products are carefully manufactured and packed, sometimes we experience damage during transportation. In such cases, please check the damaged part, note the part number written on the part and do not hesitate to contact us

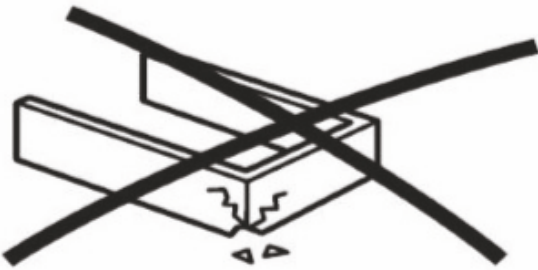
Do not use your furniture for out of purposes. If you would like to use it out of purpose or would like to do some modification or rotation, please contact us for more details.

Please do not expose your furniture with excessive heat, cold and humidity because product can be affected negatively.

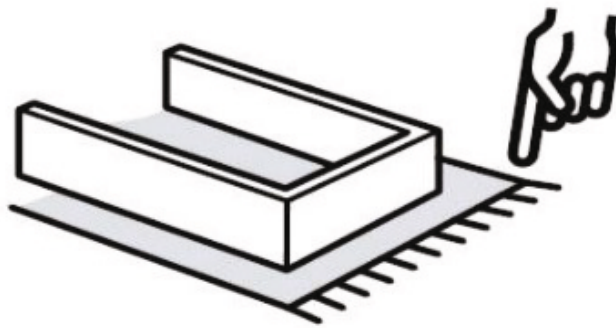
before you start



Get required installation tools prepared.

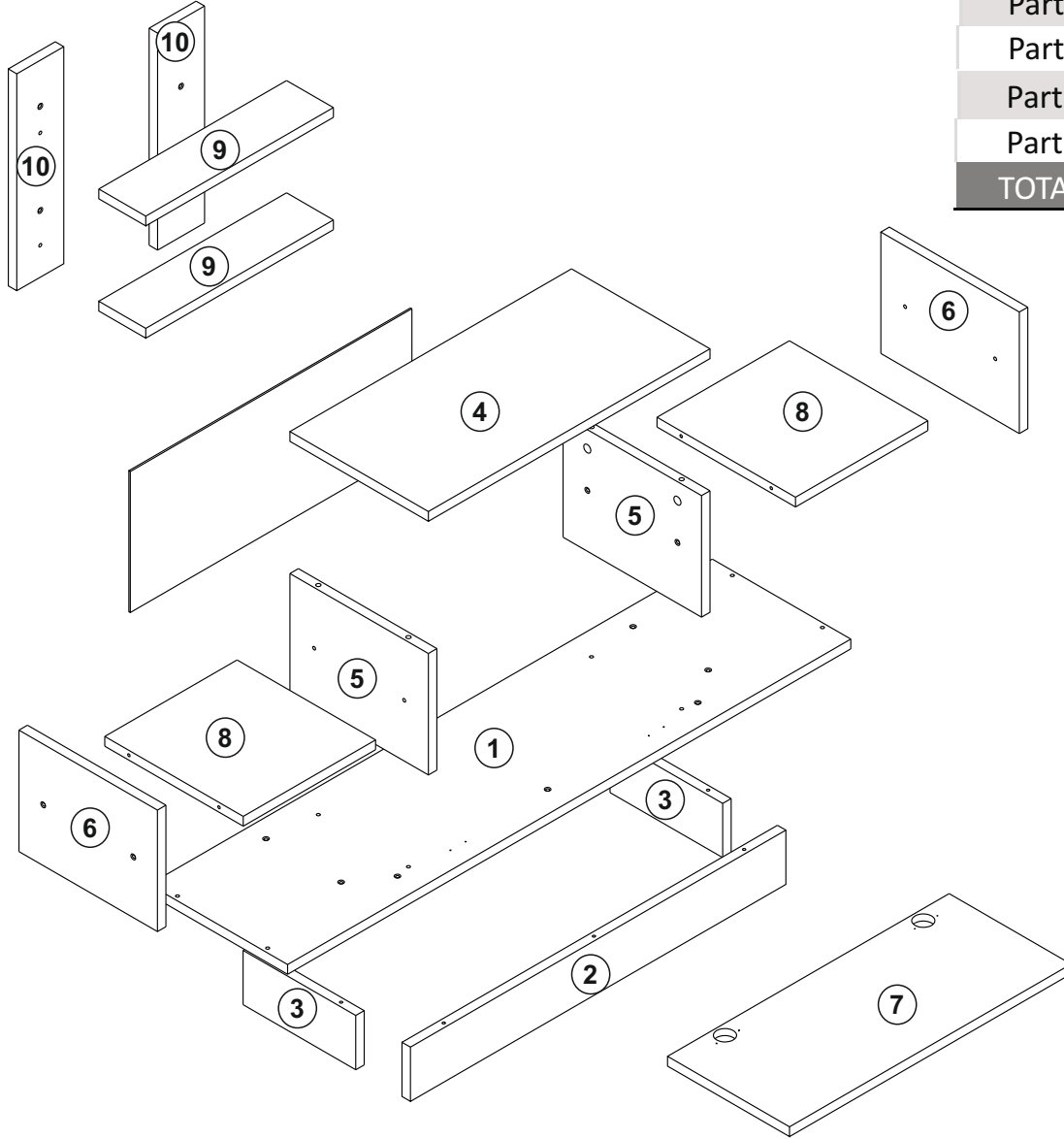


Do not install the product on rough surfaces.

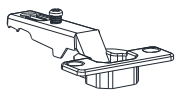
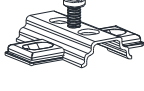
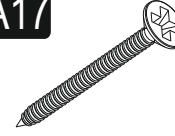


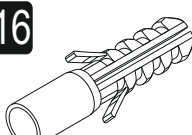
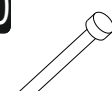




Get help from someone else!

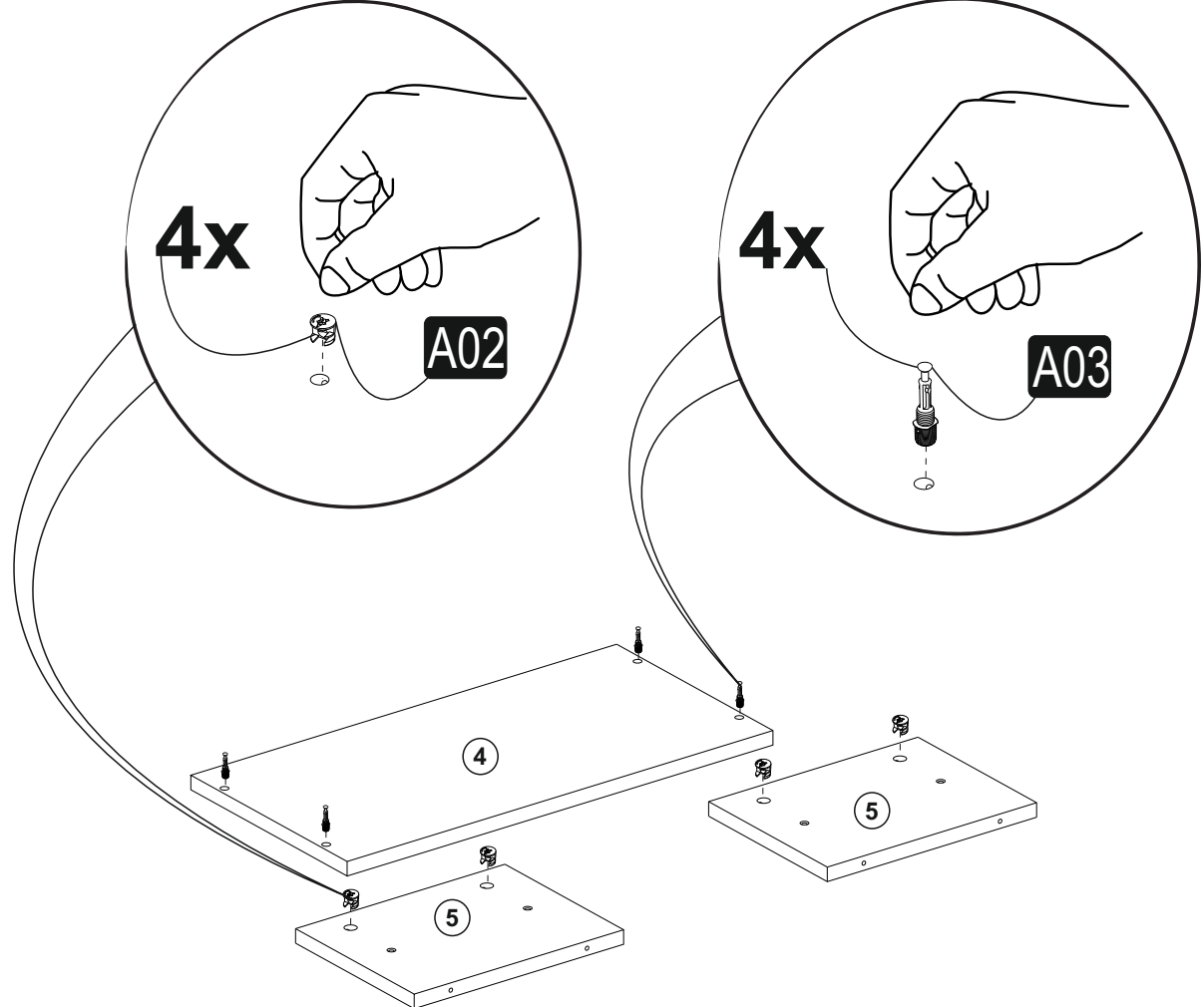




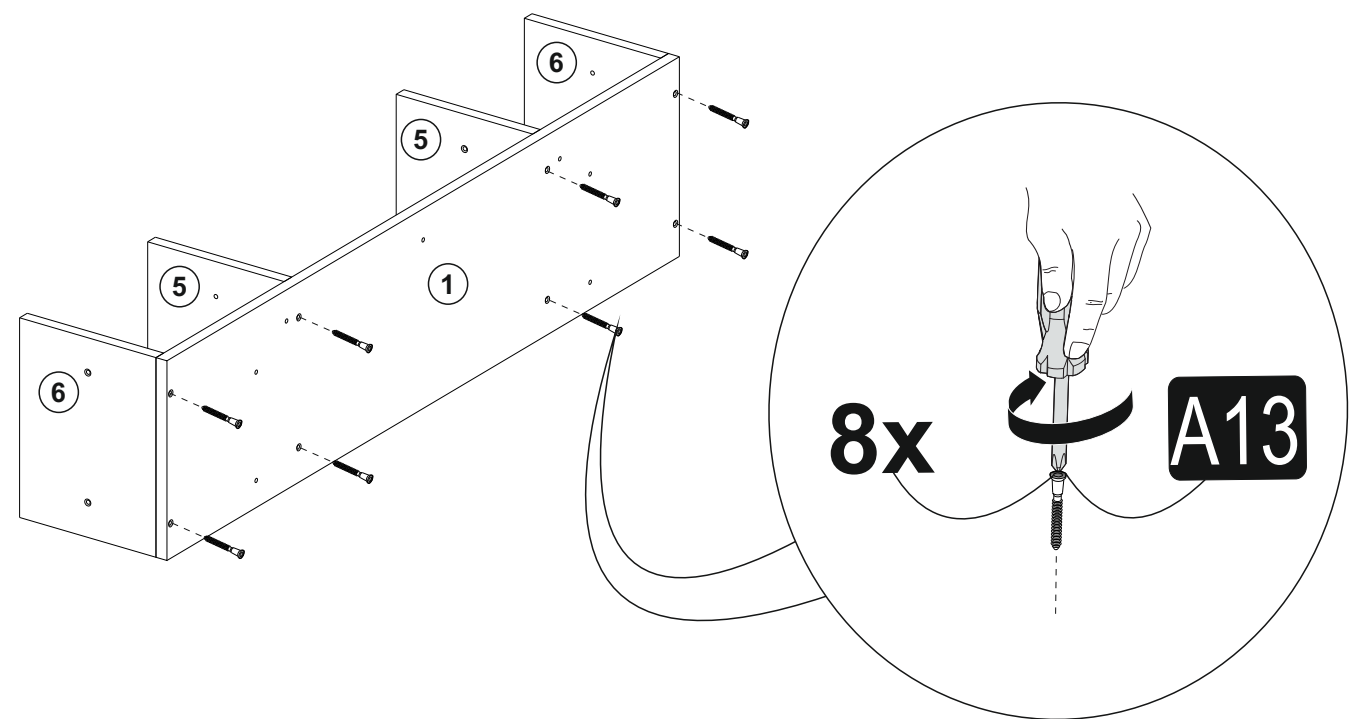
Part1	1x
Part2	1x
Part3	2x
Part4	1x
Part5	2x
Part6	2x
Part7	1x
Part8	2x
Part9	2x
Part10	2x
TOTAL	16x

C02 düzmenteşe  2x	C04  2x	A17  4x50 31x	A02 Minifix k18  4x	A06 12 mm  31x
A16  Ø8 4x	A40 çivi  12x	A09  3,5x18 8x	A03 Minifix M10  4x	

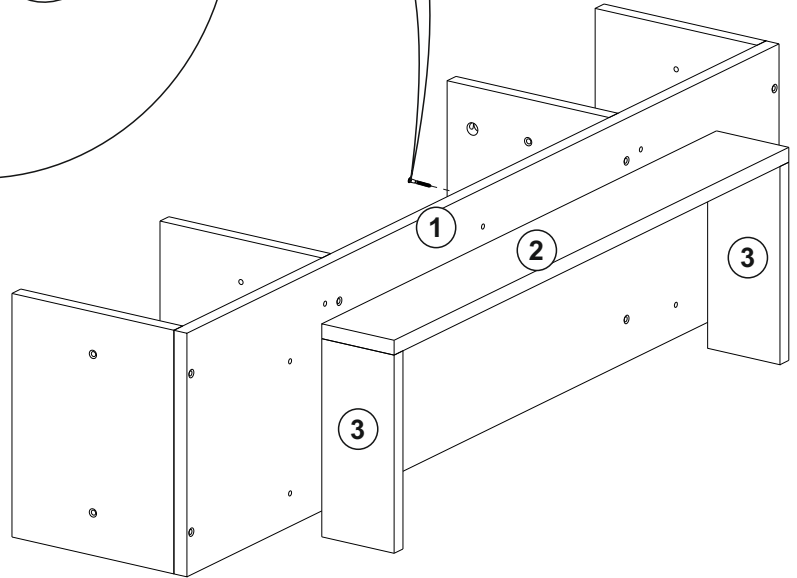
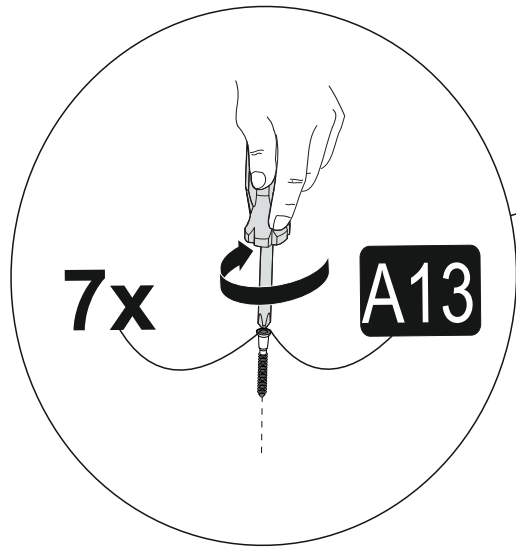
1



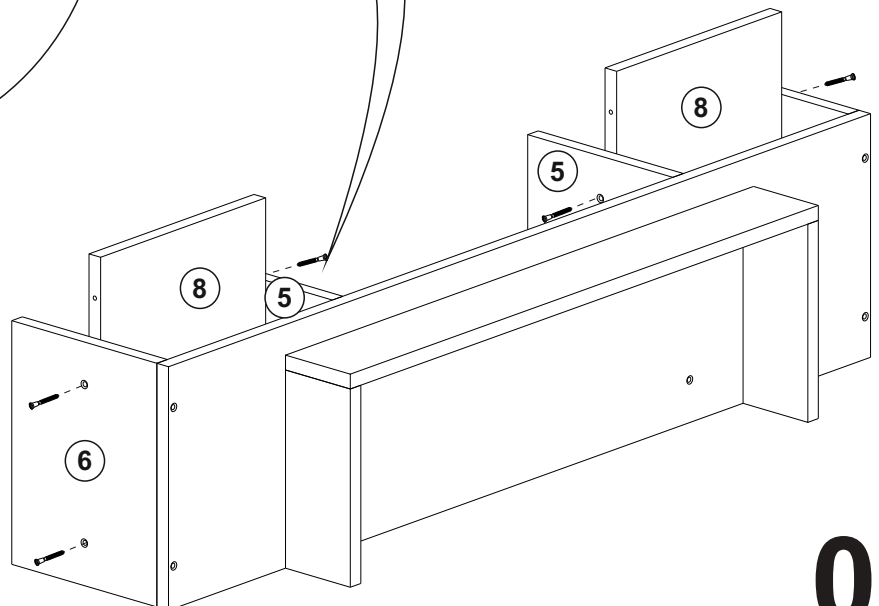
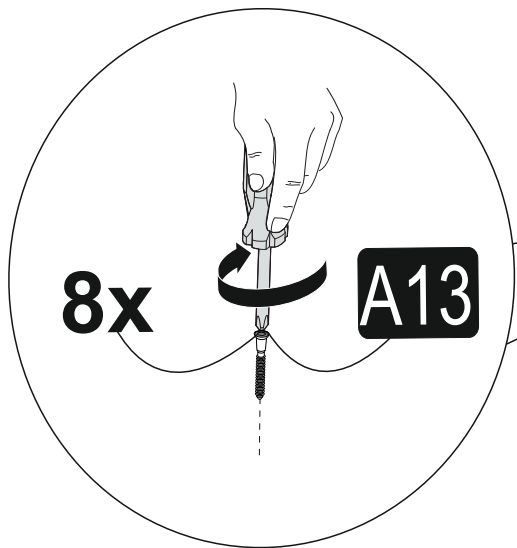
2



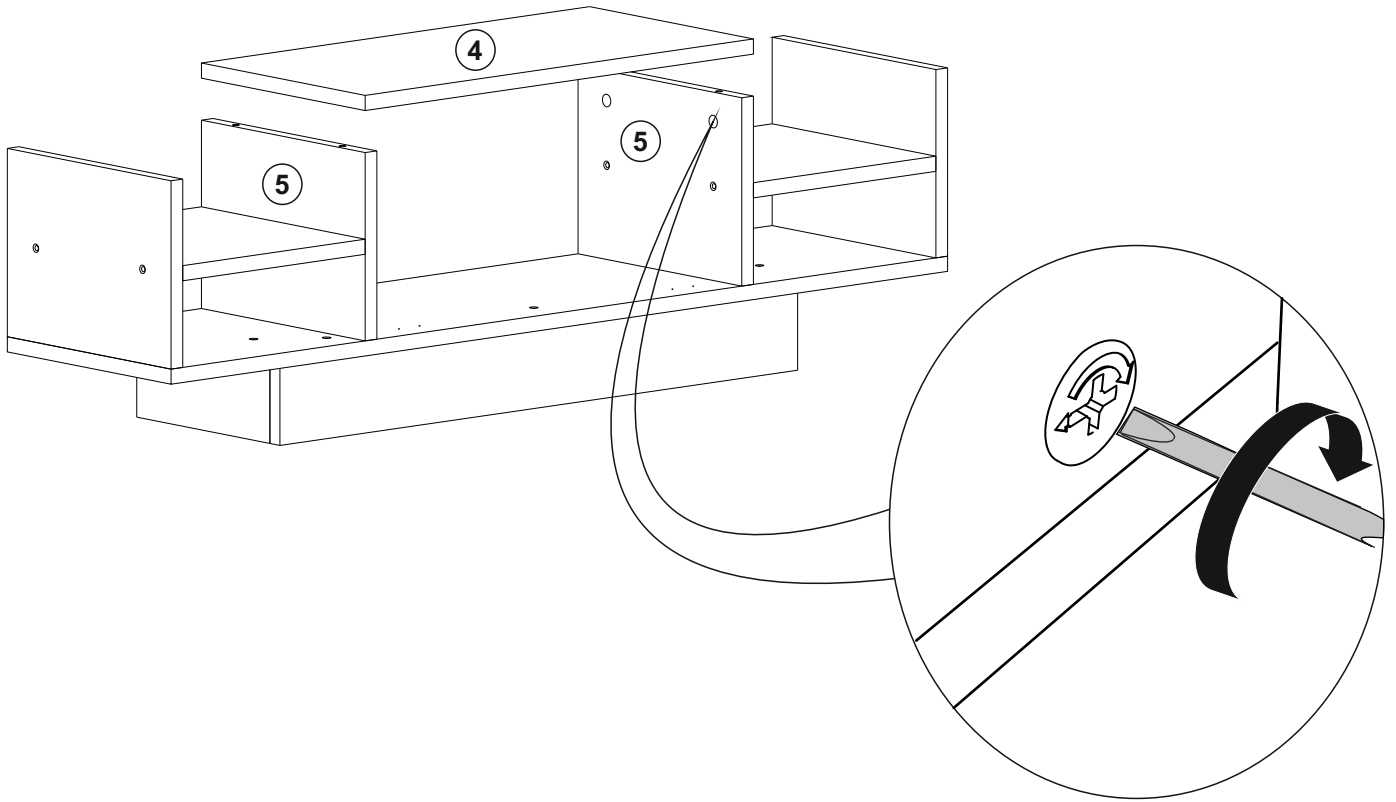
3



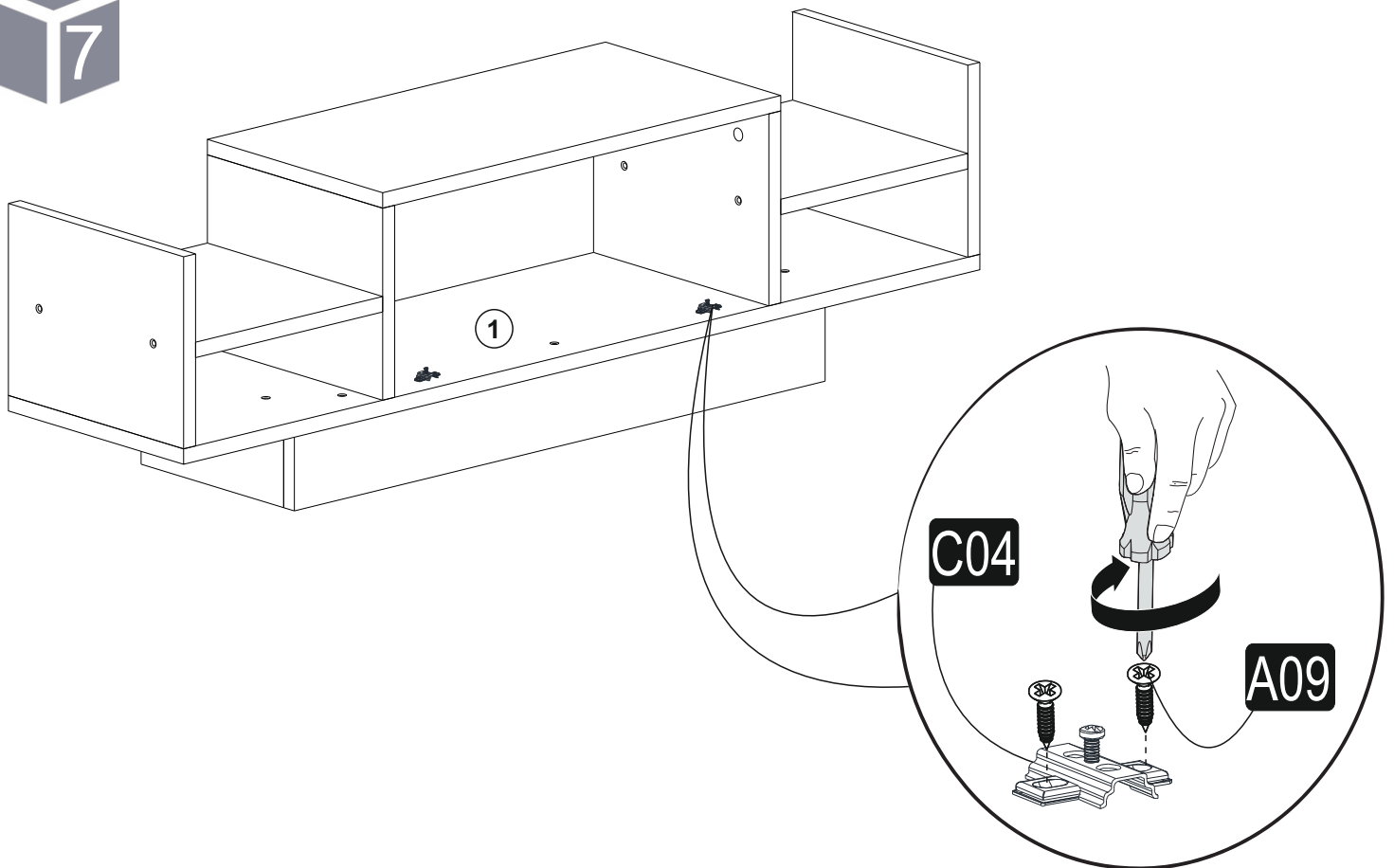
4



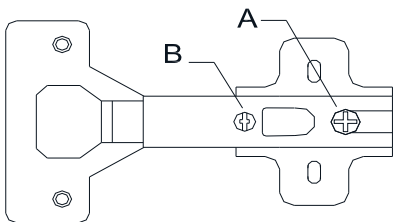
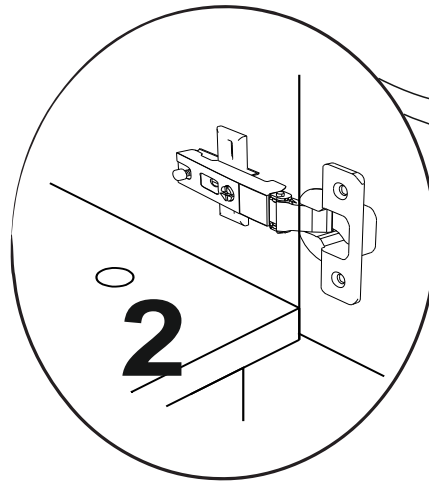
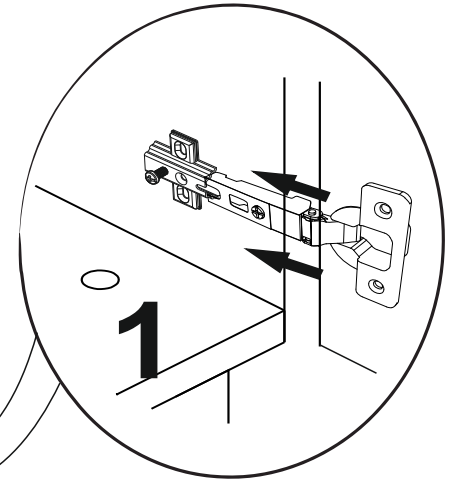
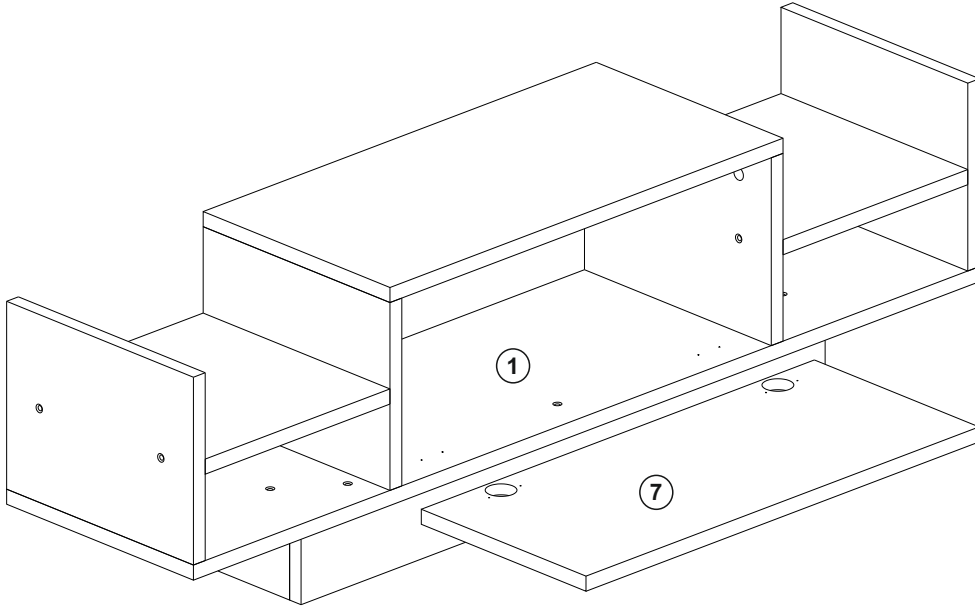
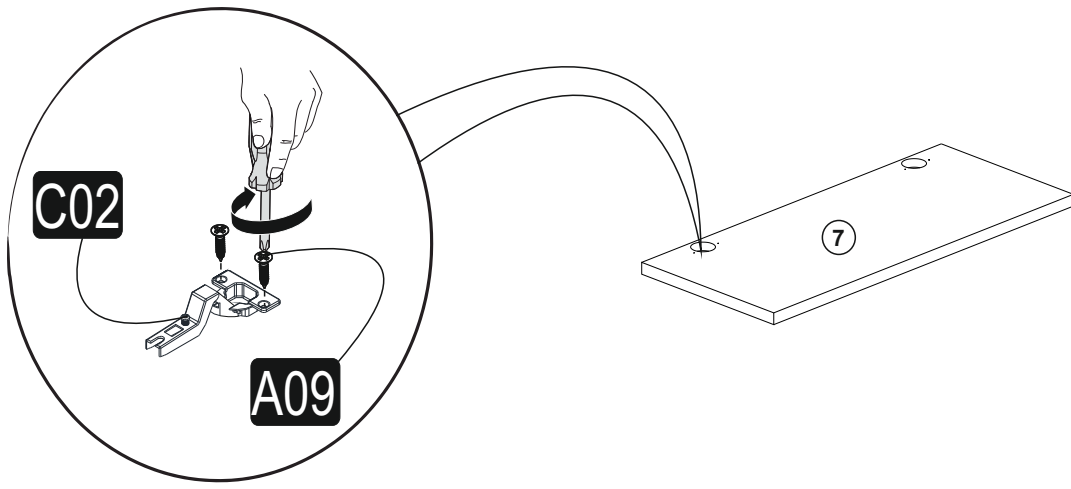
6



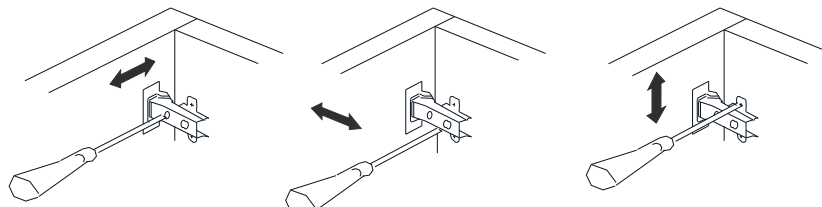
7



07

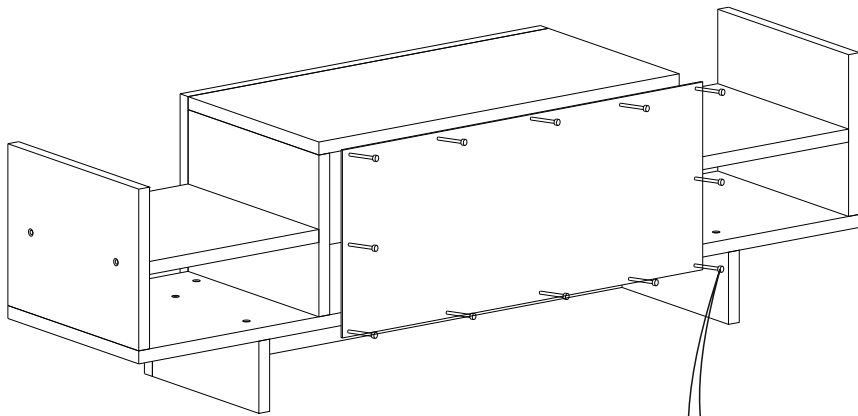


A = menteşe bağlama vidası / to connect the hinge to the door
 B = kapak ayar vidası / to arrange the door



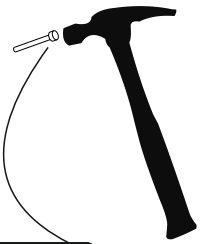
oklar kapağın ayarlama yönünü gösterir.
 arrows to show the directions for arrangement of doors.

9



12x

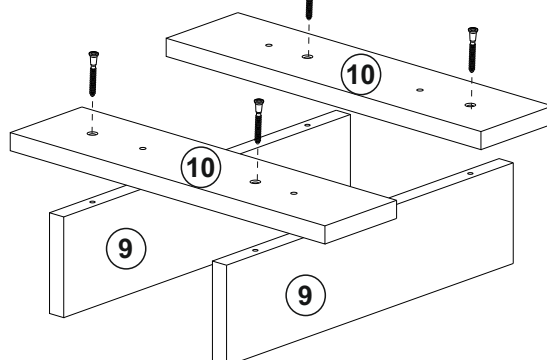
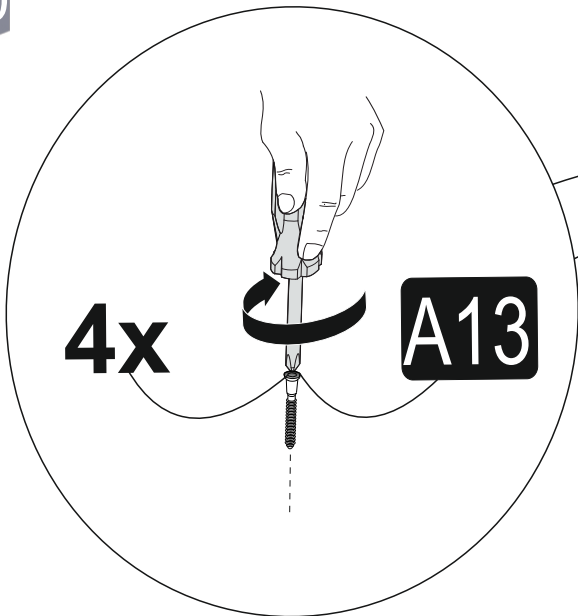
A40



10

4x

A13



09

