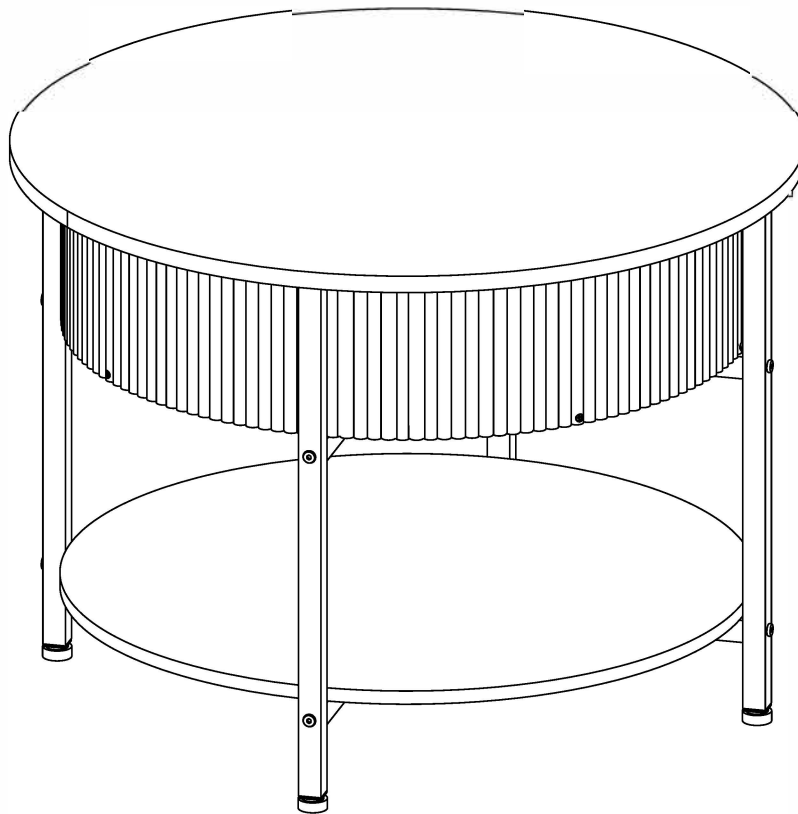


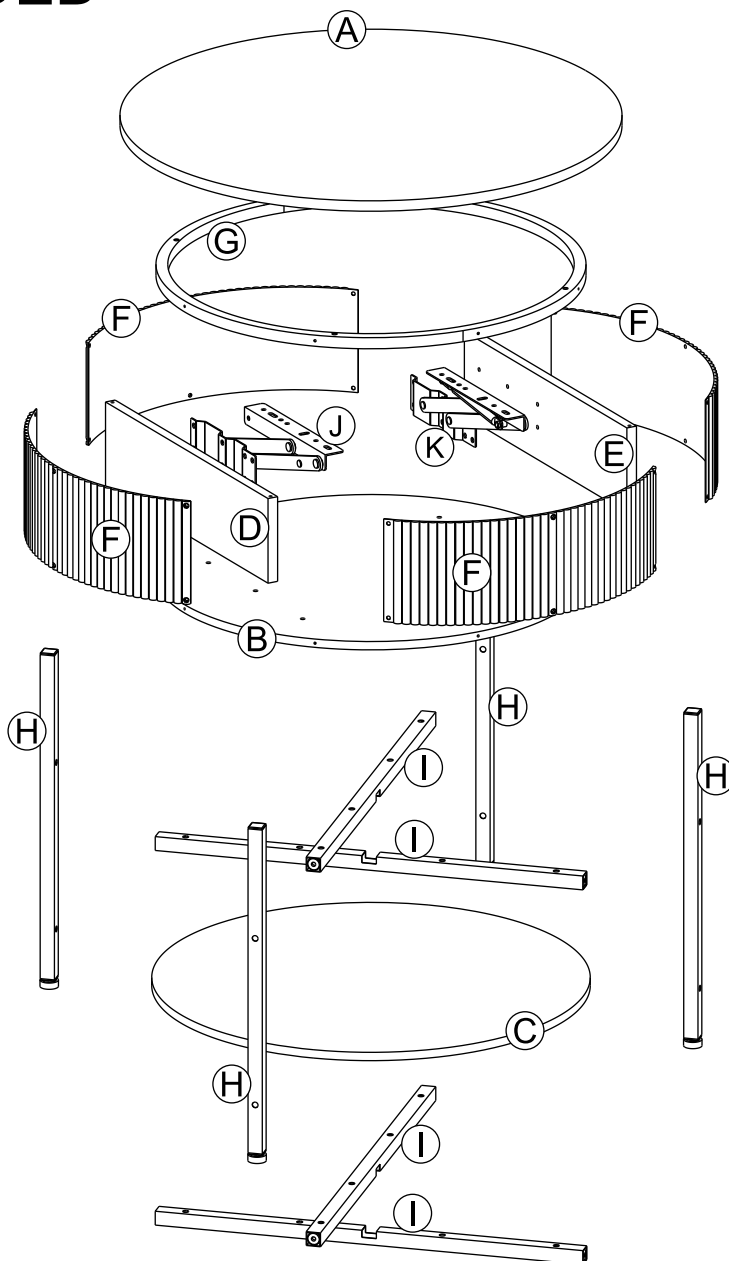
# Round Fluted Lift Top Coffee Table

## INSTRUCTION MANUAL

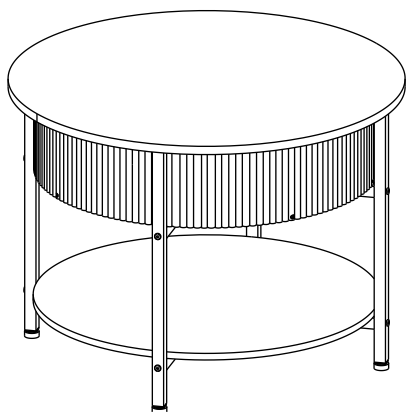


Thank you for choosing our products, please assemble and use it following the instructions.

# EXPLODED



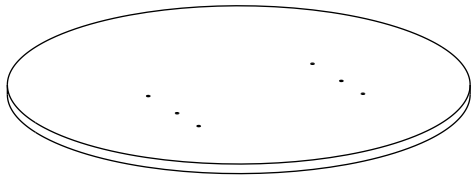
# COMPLETE



## Important

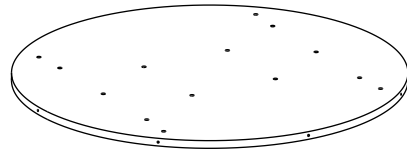
1. We recommend two people to assemble the product easier faster.
2. Please DO NOT tighten the screws deeply during assembling avoiding that metal frame can be bent and plank will crack.
3. We recommend that all screws should not be tightened over during assembling to proper station, all screws should be tightened.

Ø68cm



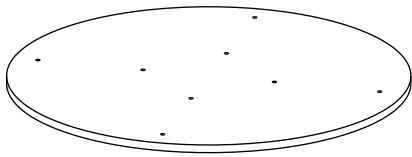
A × 1PC

Ø58.2cm

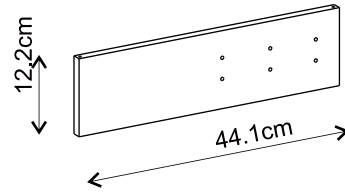


B × 1PC

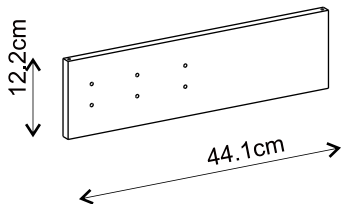
Ø59.4cm



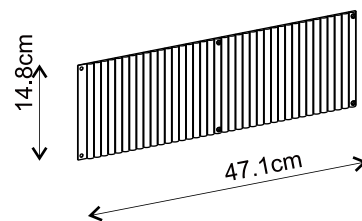
C × 1PC



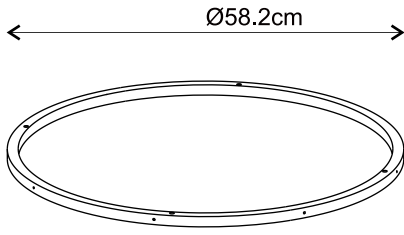
D × 1PC



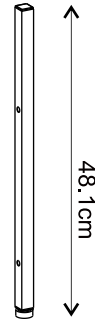
E × 1PC



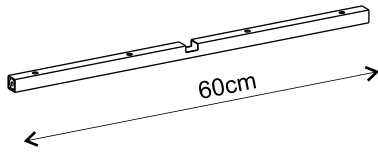
F × 4PCS



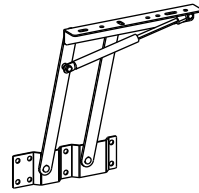
G × 1PC



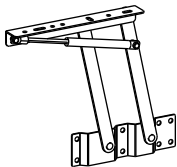
H × 4PCS



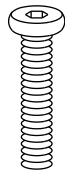
I × 4PCS



J × 1PC



K × 1PC



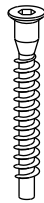
Ø1/4"×28 mm

① × 24+2PCS



M5×10 mm

② × 18+1PCS



Ø5×40 mm

③ × 10+1PCS



Ø3.5×15 mm

④ × 16+1PCS



Ø15×2 mm

⑤ × 4PCS



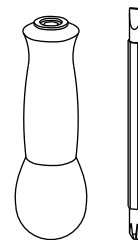
S4

⑥ × 1PC



S3

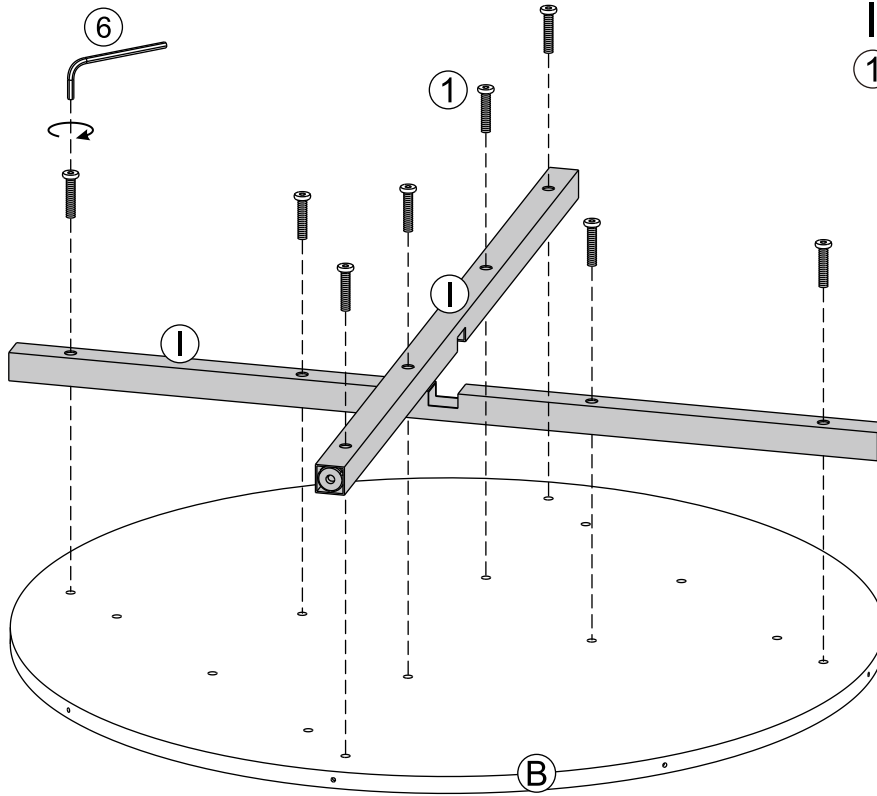
⑦ × 1PC



⑧ × 1PC

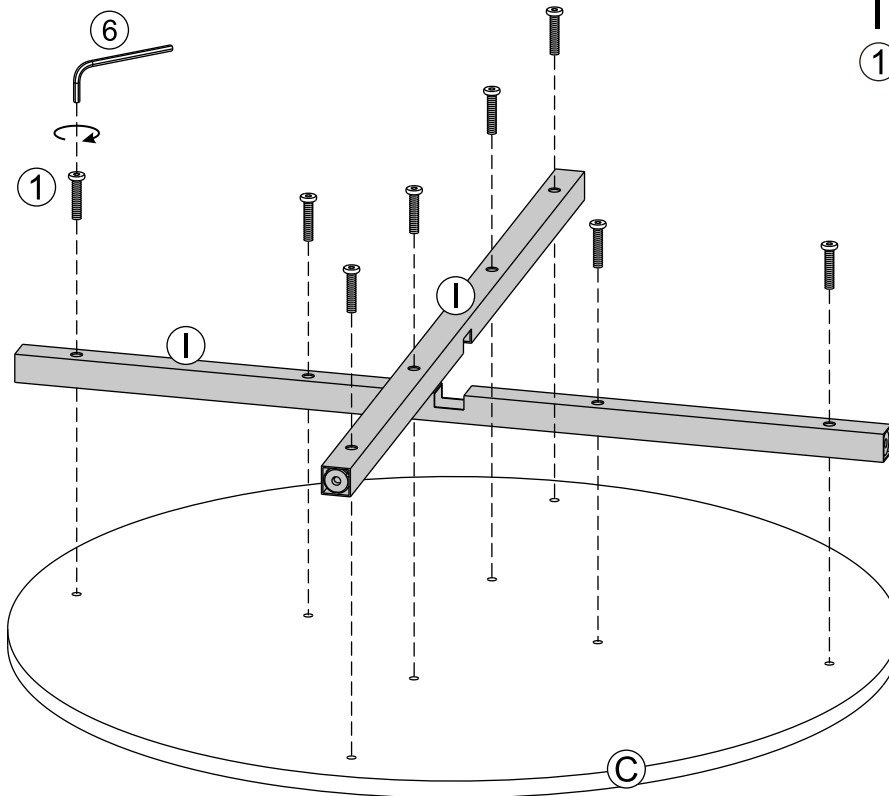
1

B × 1PC  
I × 2PCS  
① × 8PCS



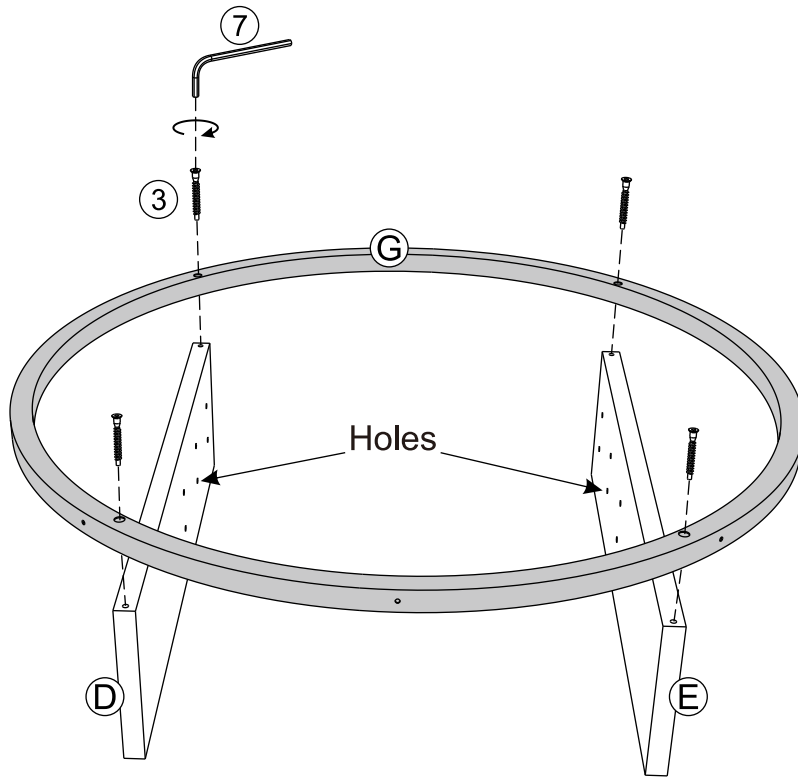
2

C × 1PC  
I × 2PCS  
① × 8PCS



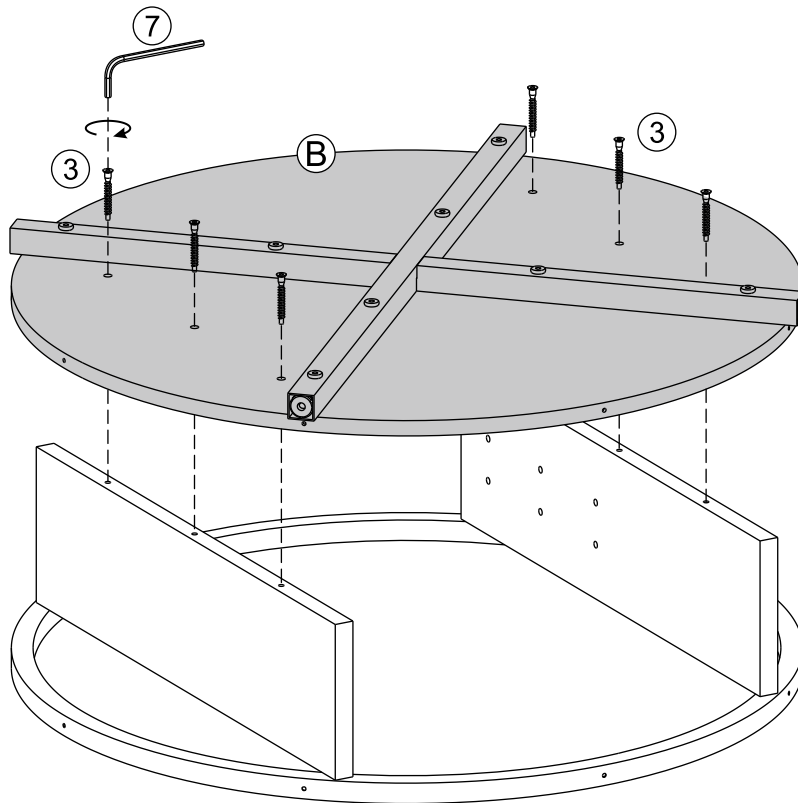
3

D × 1PC  
E × 1PC  
G × 1PC  
③ × 4PCS



4

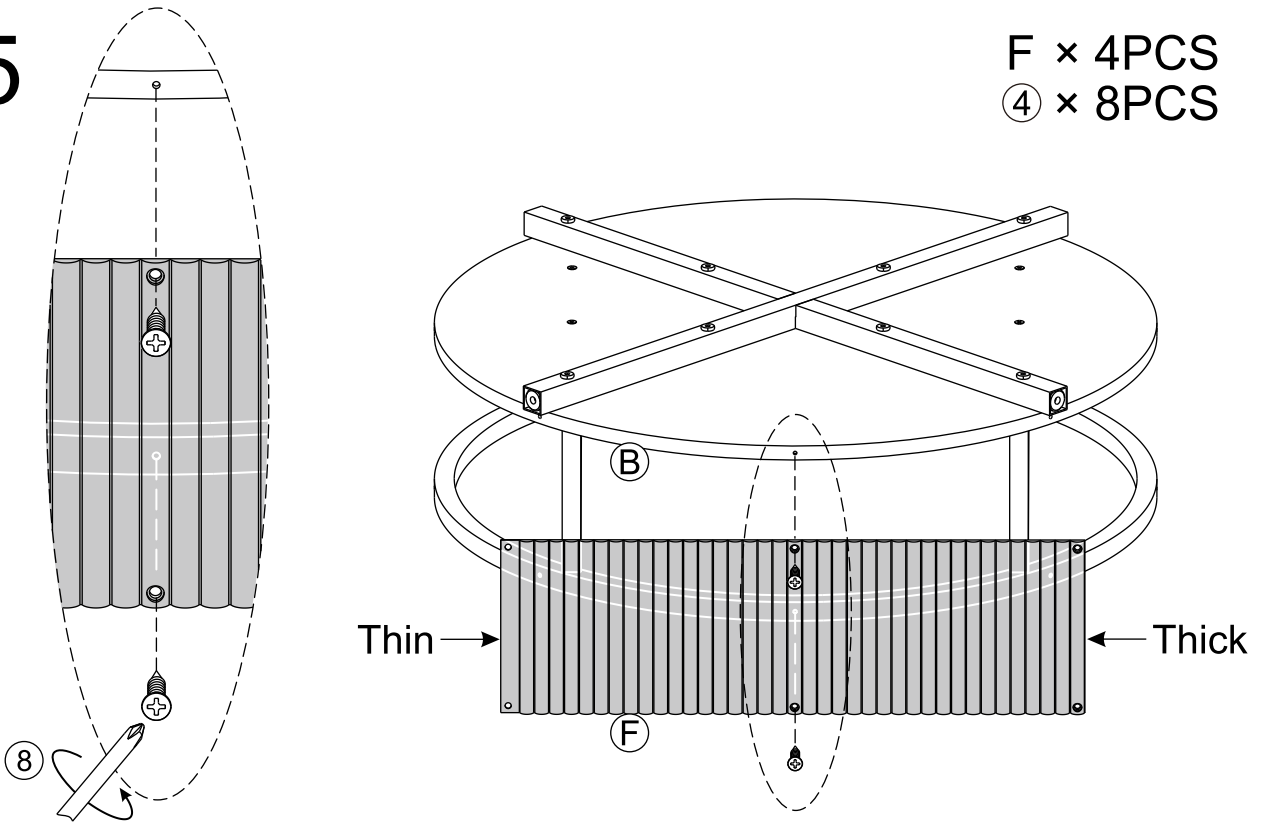
③ × 6PCS



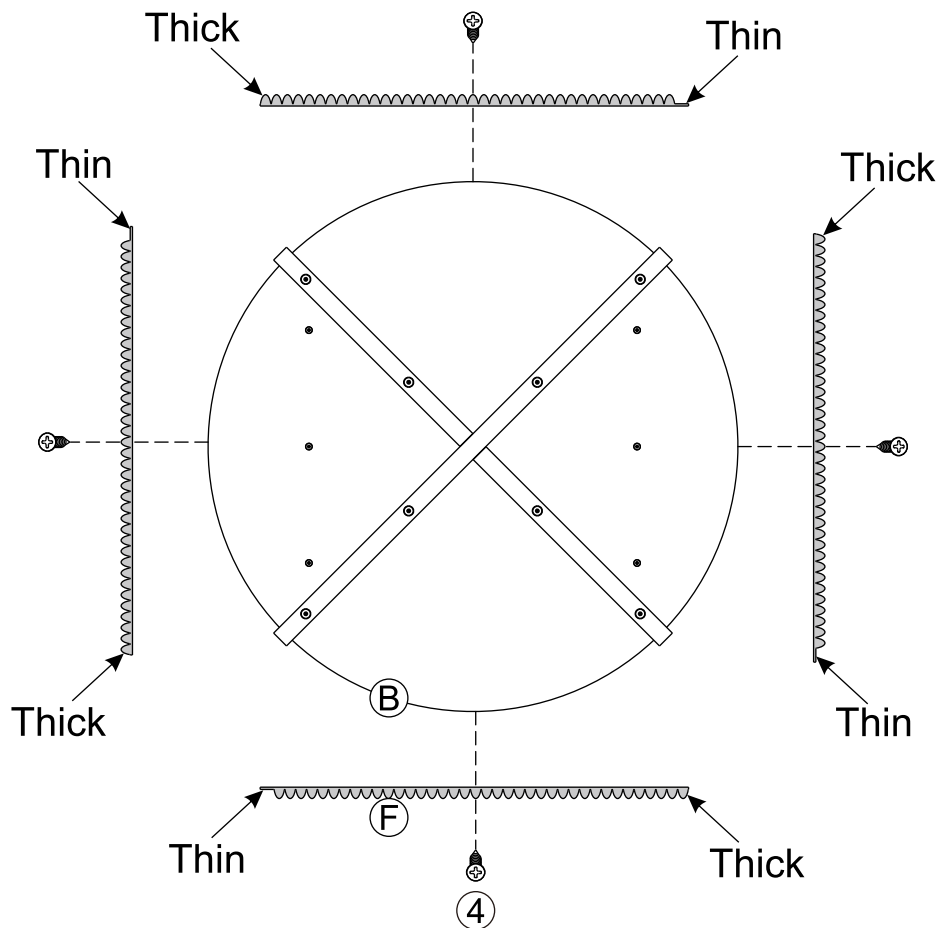
5

F × 4PCS

④ × 8PCS

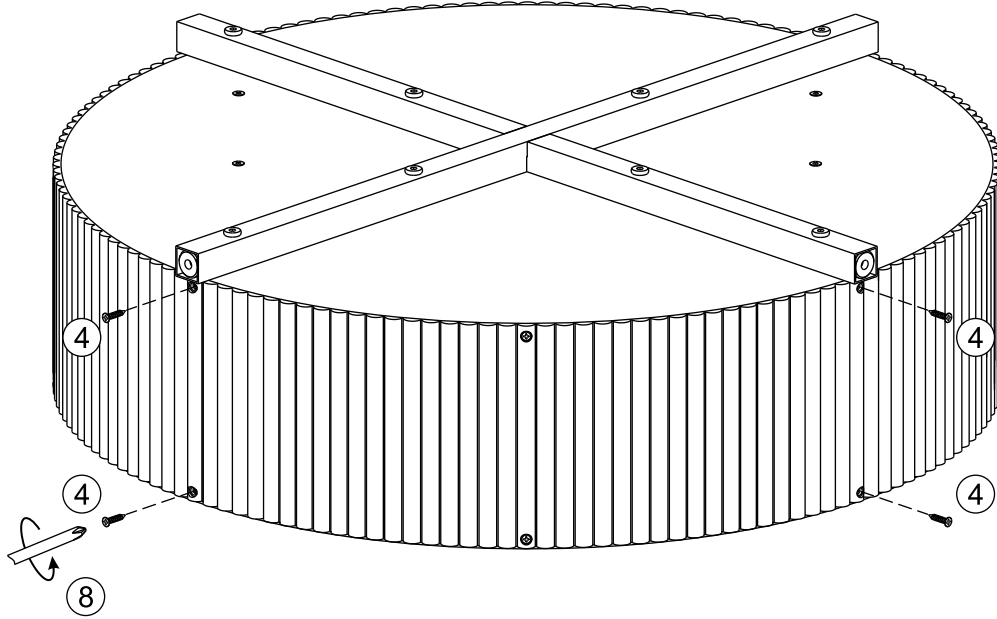


Refer to the diagram above to assemble 4 pieces of Parts ⑥.

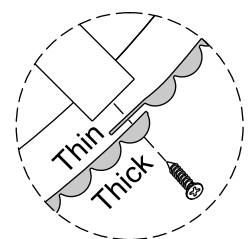
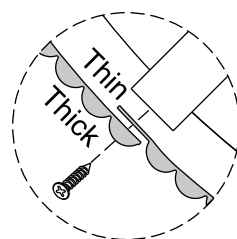
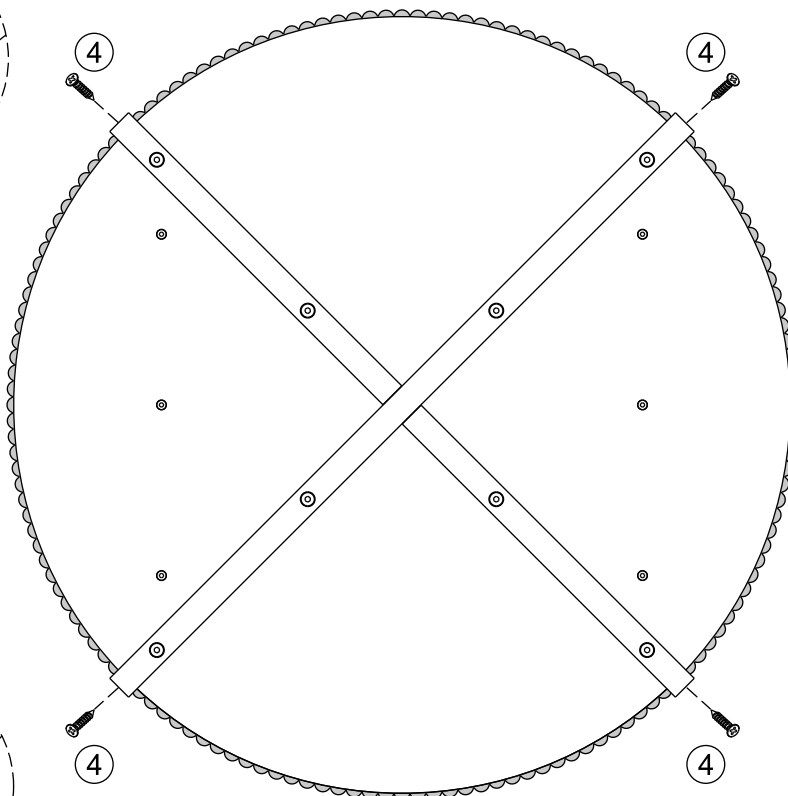
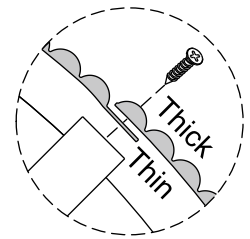


6

④ × 8PCS



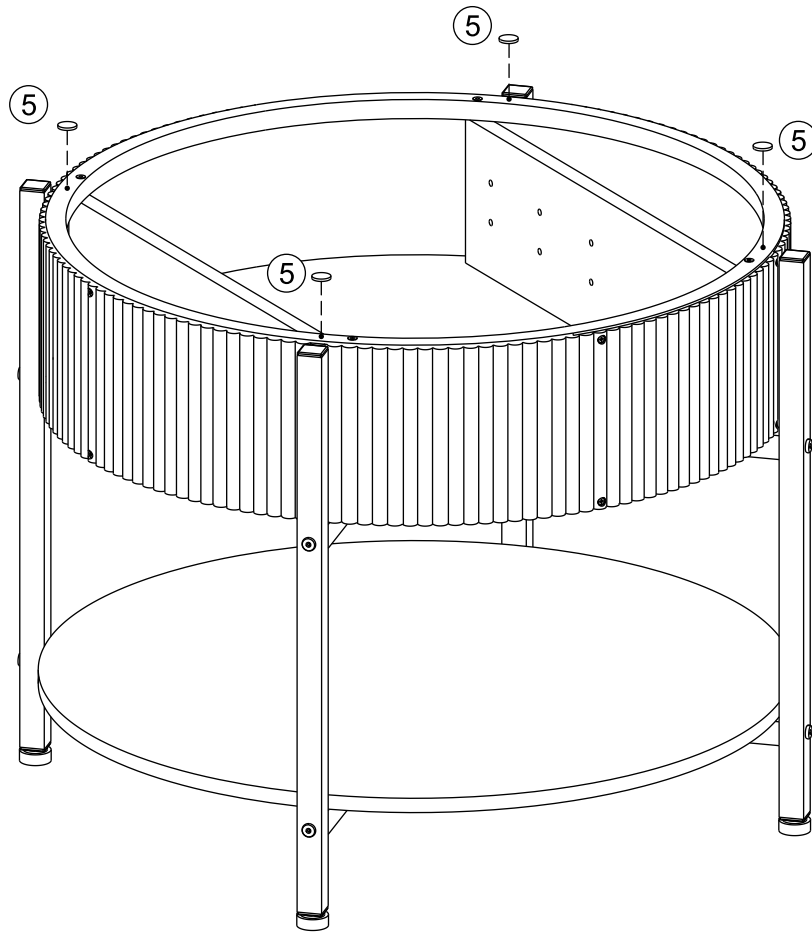
Refer to the diagram above to assemble 4 pieces of Parts ④.





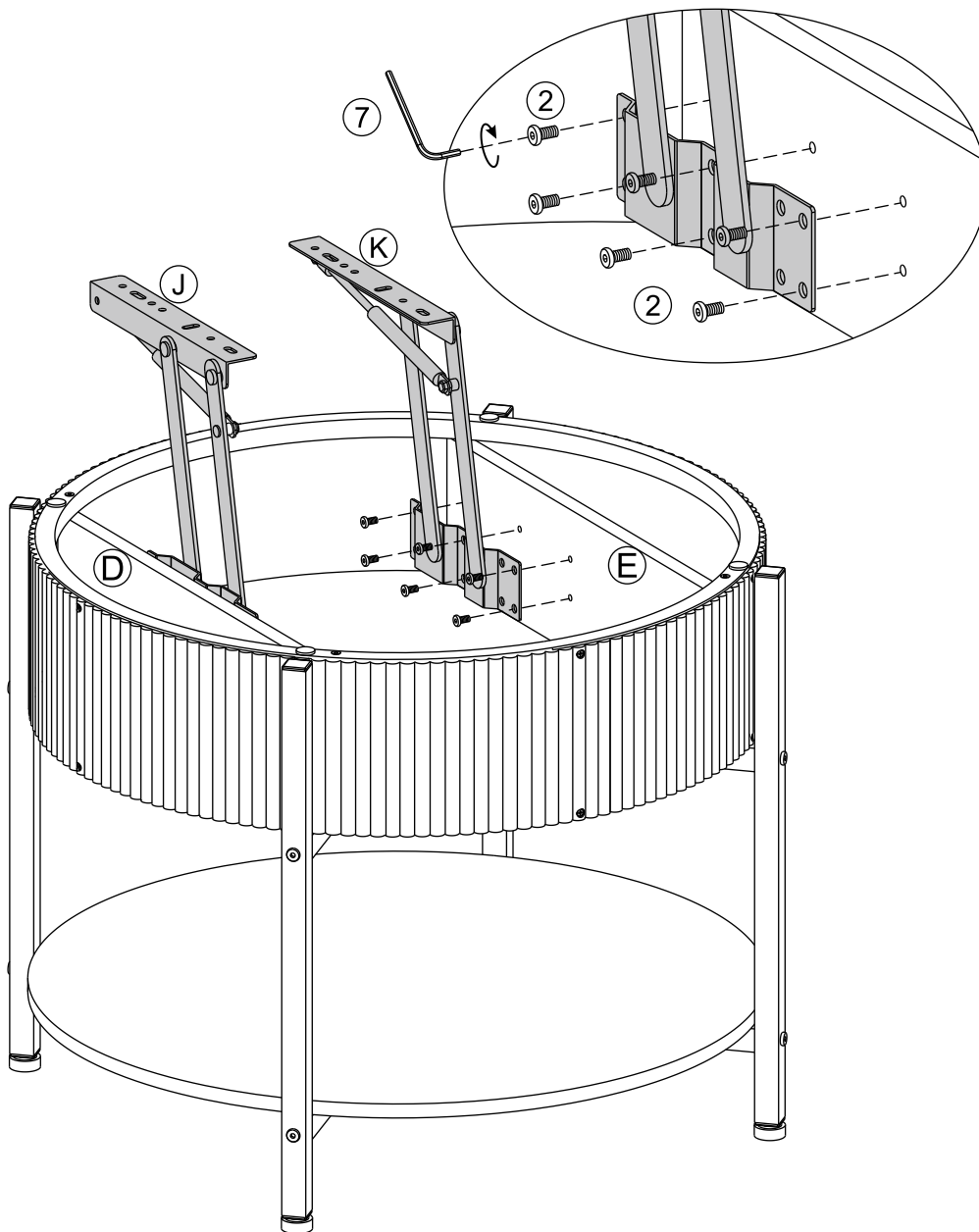
9

⑤ × 4PCS



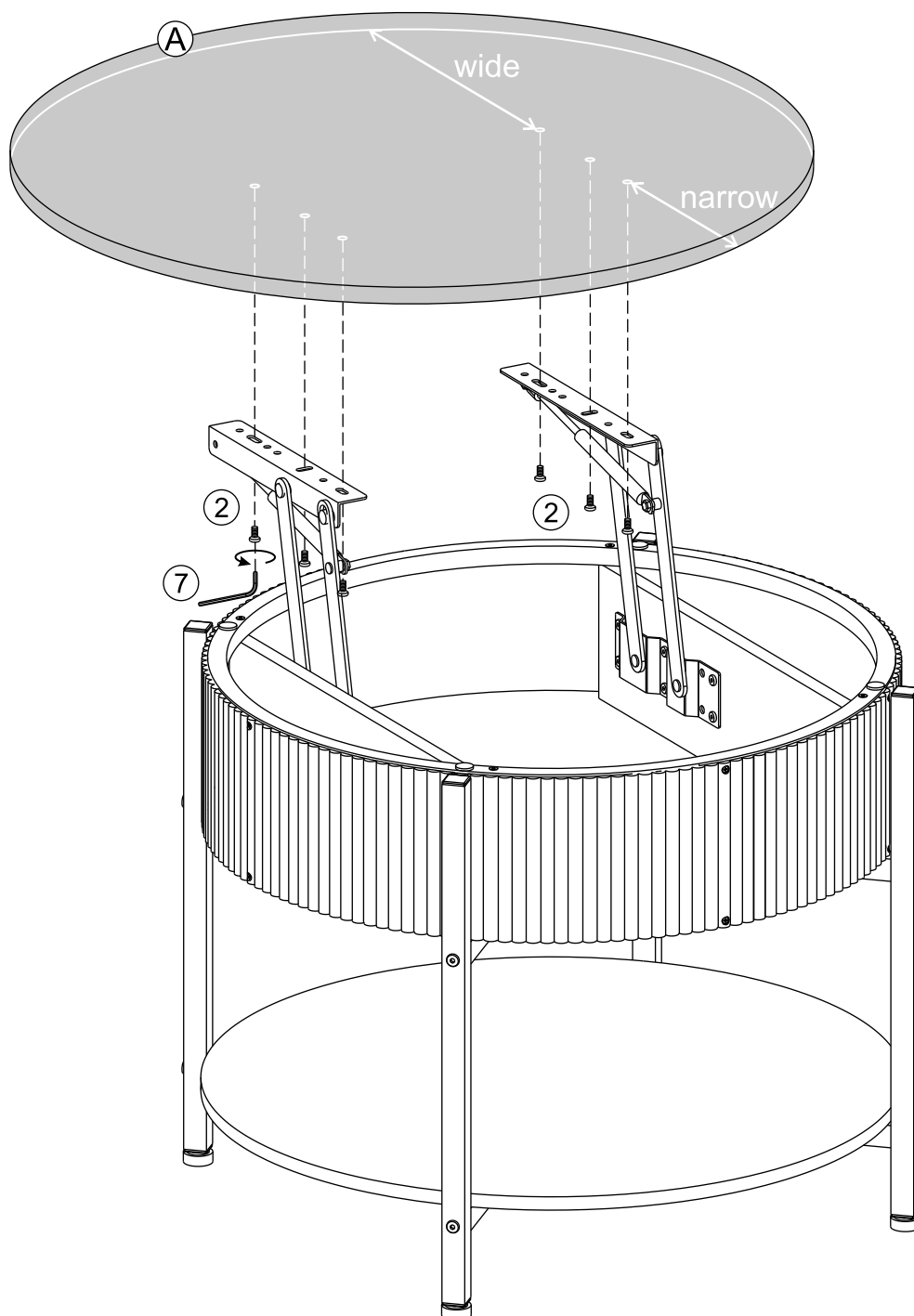
10

J × 1PC  
K × 1PC  
② × 12PCS



11

J × 1PC  
K × 1PC  
② × 6PCS



12

