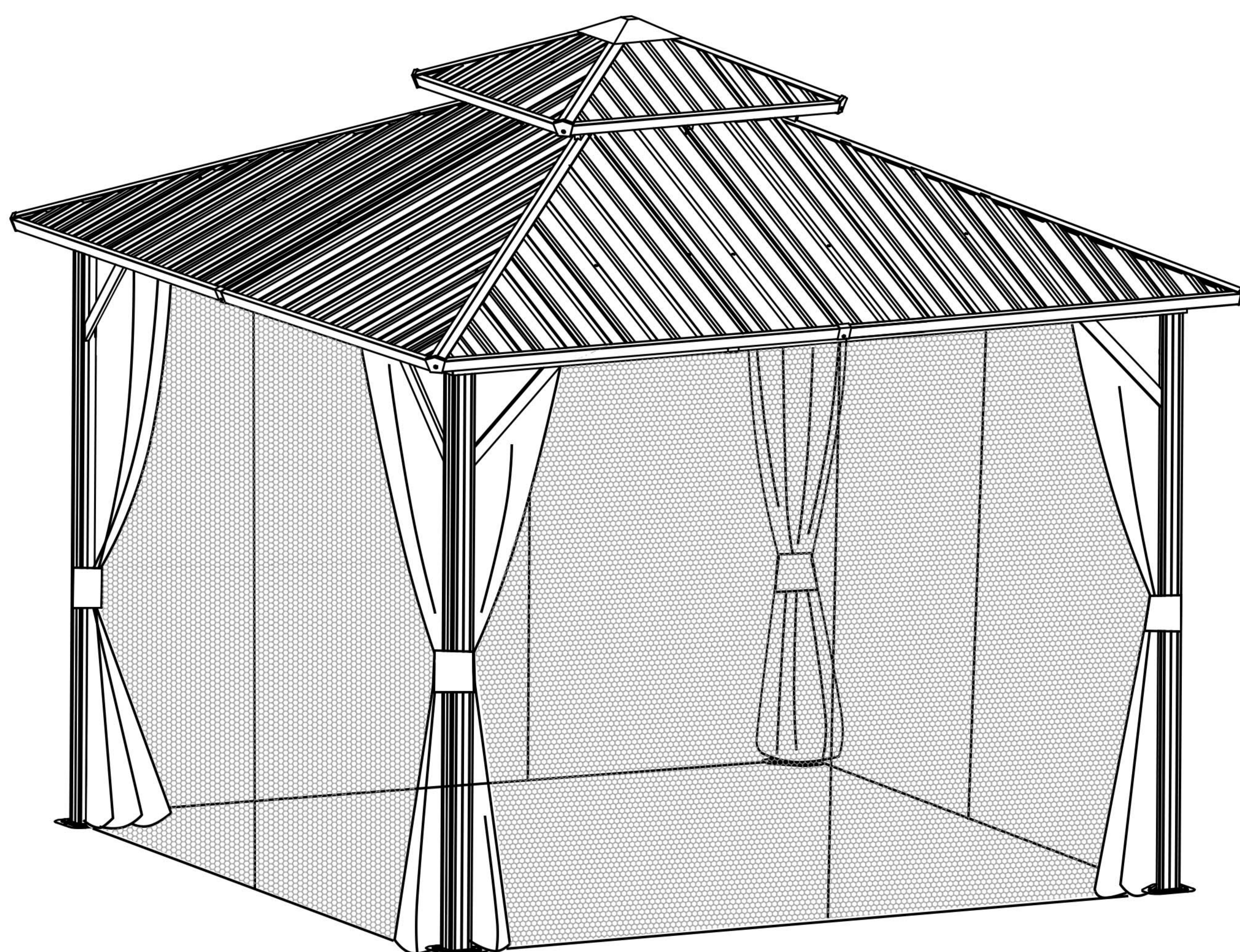


Metal Roof  
Aluminum Gazebo

10X10FT

SKU: A001G029-1  
A001G029-2  
A001G029-3

# ASSEMBLY INSTRUCTIONS



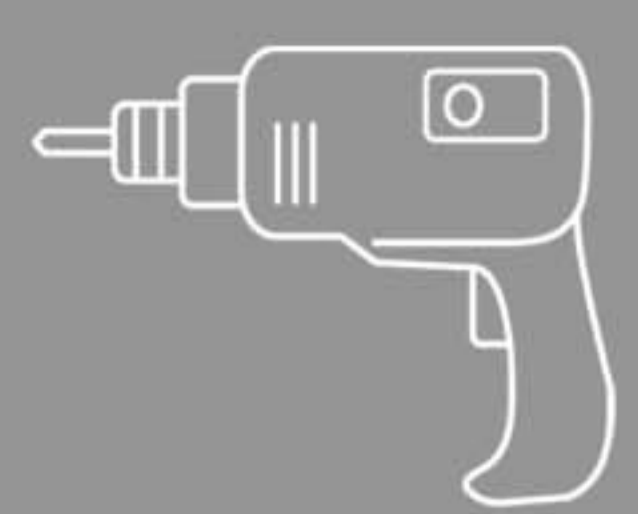
Please check the number of parts in the following accessory catalogue when unpacking. We have sent you more small parts for spare. If there is any missing or any questions about the installation. Please feel free to contact us. We will reply within 24 hours.



E-mail: [cs.helper01@gmail.com](mailto:cs.helper01@gmail.com)

## TOOLS RECOMMENDED

\*NOTE: The recommended tools are not included in boxes and need to be prepared by yourself.



DRILL



RUBBER Mallet



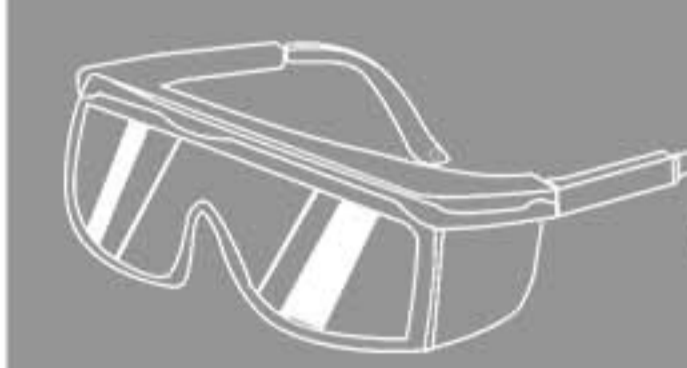
STEPLADDER  
(6.5Ft Or More)



SAFETY HAT



GLOVES



SAFETY GOGGLES

## ATTENTIONS



Since it is easy to lose many small accessories during the installation, please collect all the screw accessories before the assembly is completed



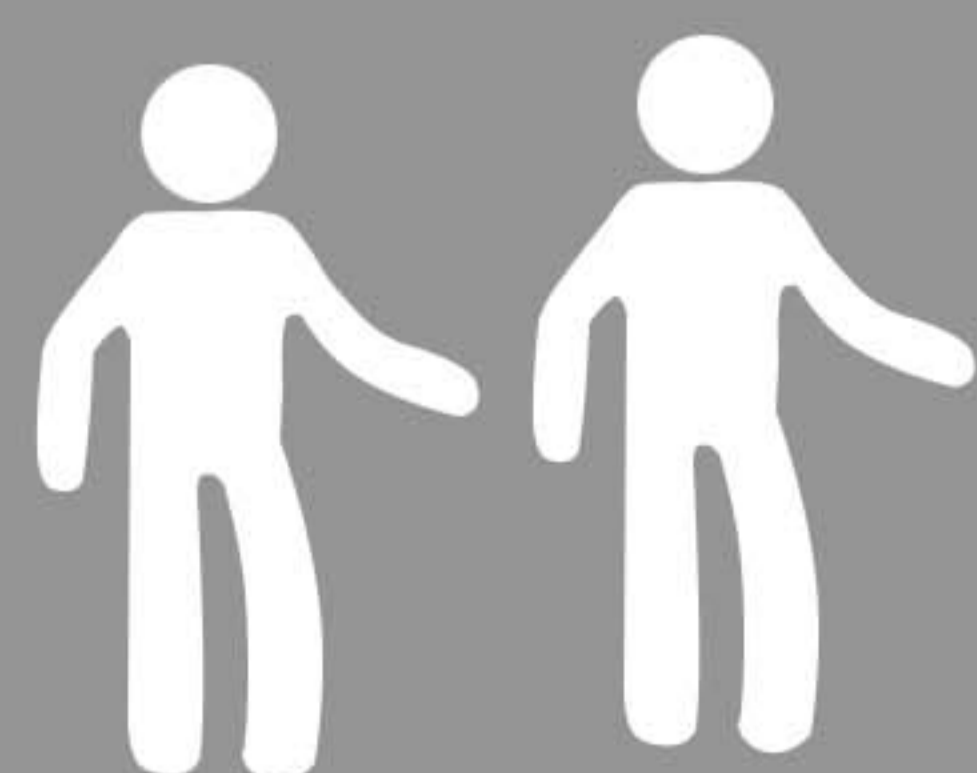
To better align the screws for practical situations, do not fully tighten screws initially



Please reinforced the Gazebo and do not use in heavy winds or inclement weather



Make sure all screws are tightened before use and check all screws, buckles and straps every 90 days



Two or more people are required for assembly



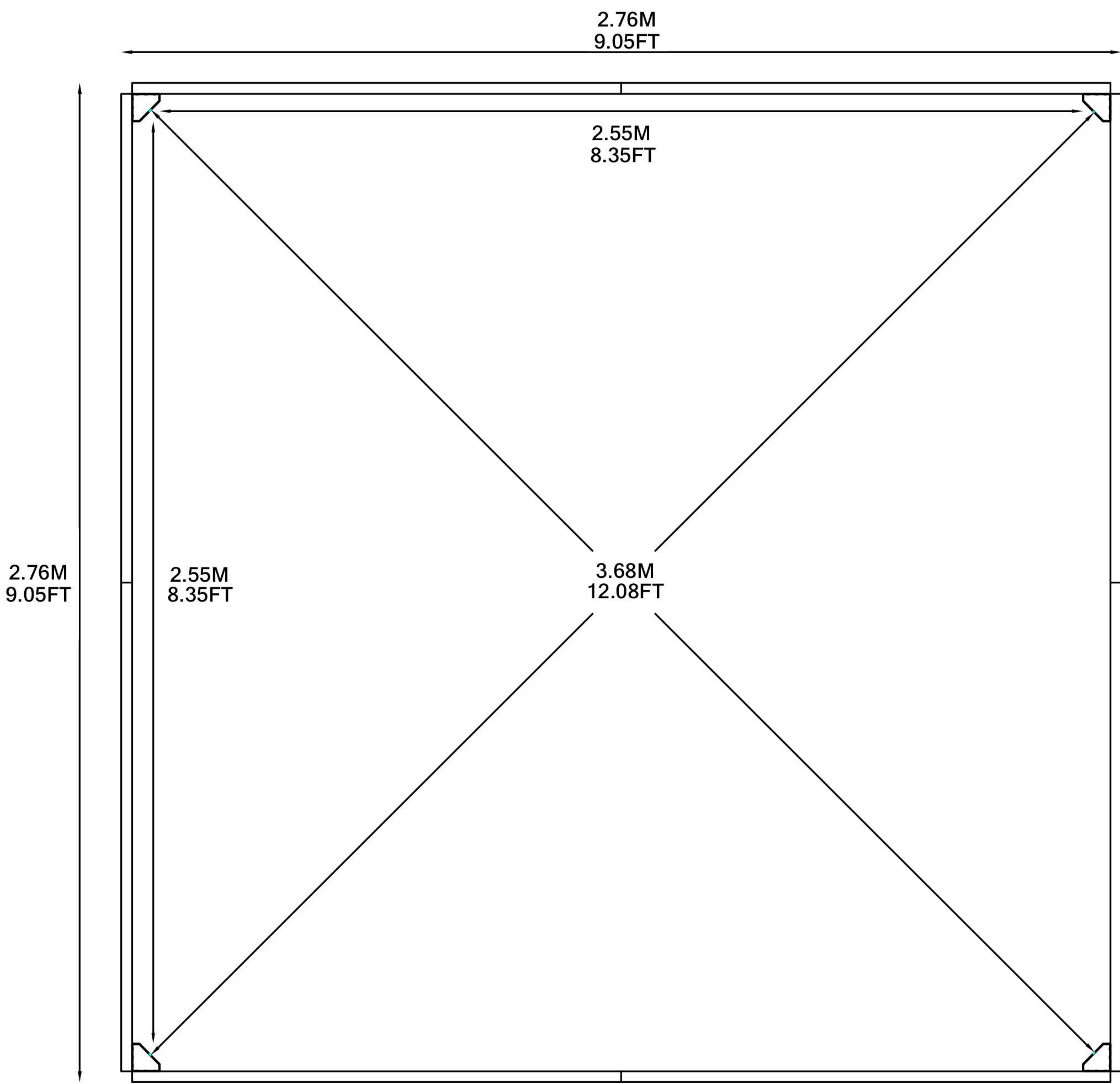
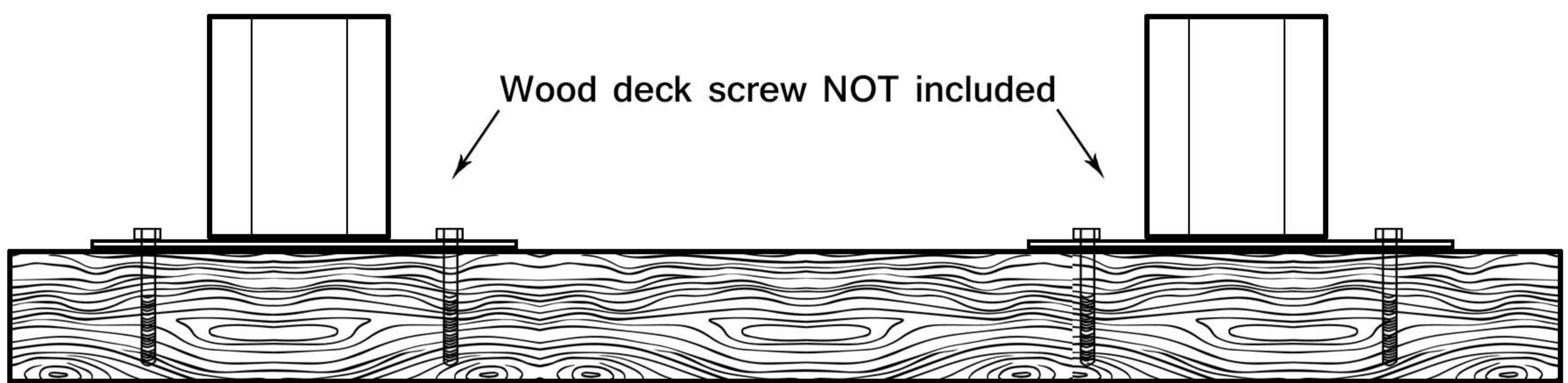
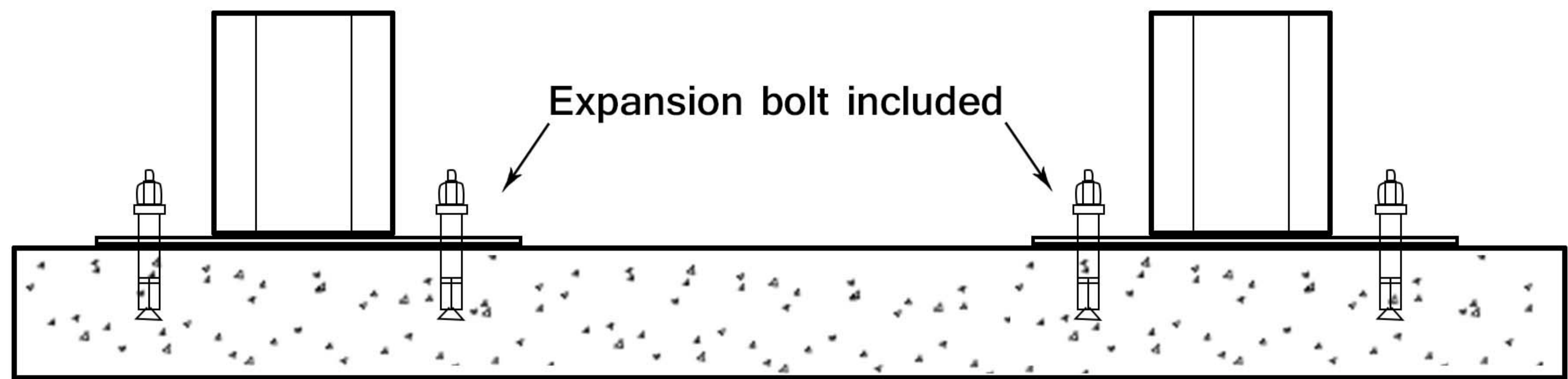
Please clear the snow off the roof in time for the heavy snowfall and do not use it

Please take care of the screws and contact the after-sales service if there is any problem with the installation or parts.



# Permanent Installation Examples

Our supporting expansion screws can only be used for cement floors, customers need to bring their own special screws if they are used for wood floors




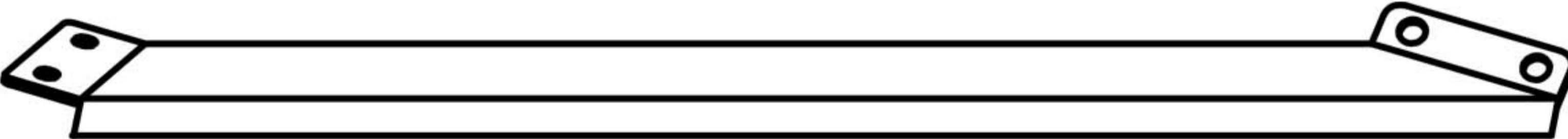
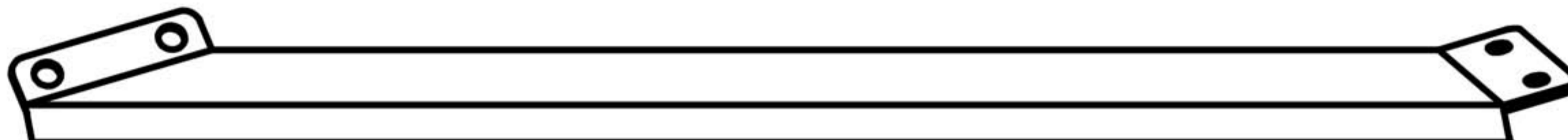
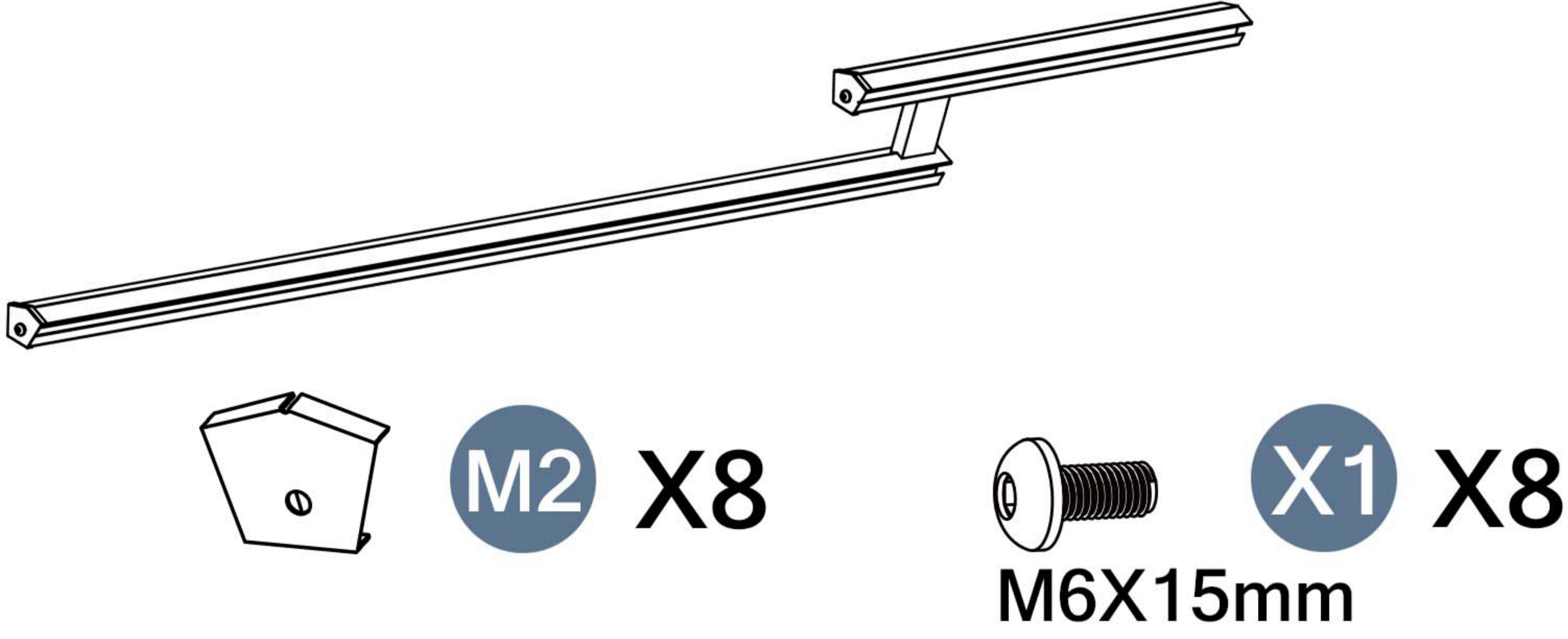
Please take care of the screws and contact the after-sales service if there is any problem with the installation or parts.

➔ ✉ E-mail: [cs.helper01@gmail.com](mailto:cs.helper01@gmail.com)

# ACCESSORY CATALOGUE

## BOX 1

SKU: A001G029-1

Item no.	Reference Image	Qty.
<b>A</b>		4
<b>F</b>		4
<b>F1</b>		4
<b>E</b>	 <p>M2 X8      X1 X8 M6X15mm</p>	4

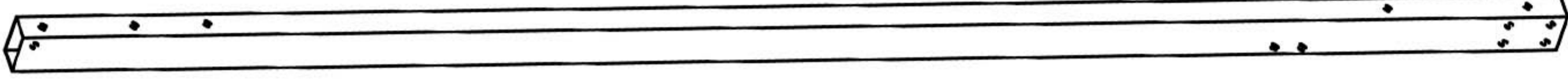
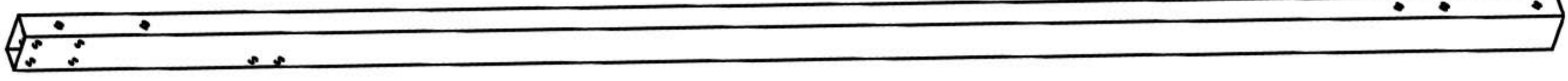
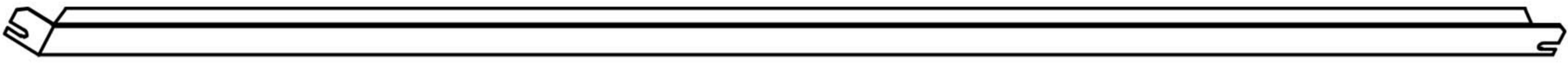
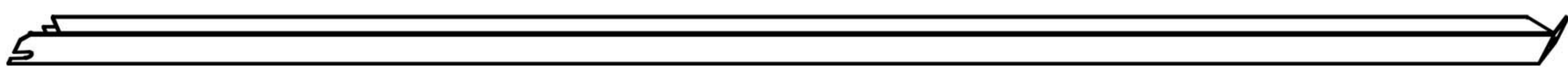

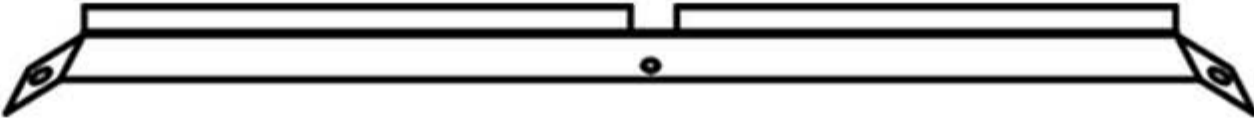
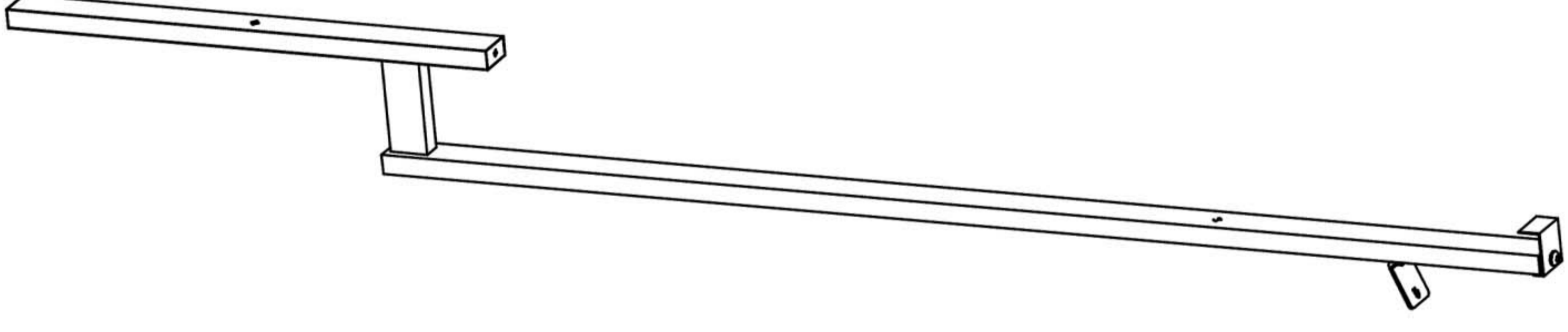
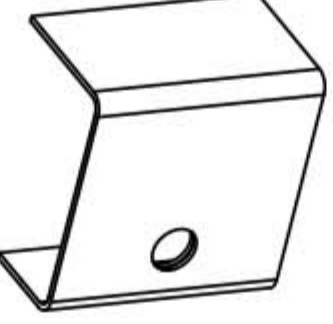
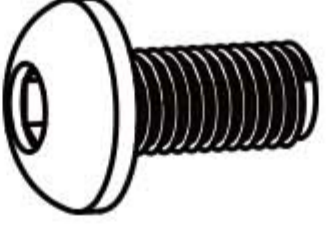
Please take care of the screws and contact the after-sales service if there is any problem with the installation or parts.



# ACCESSORY CATALOGUE

## BOX 2

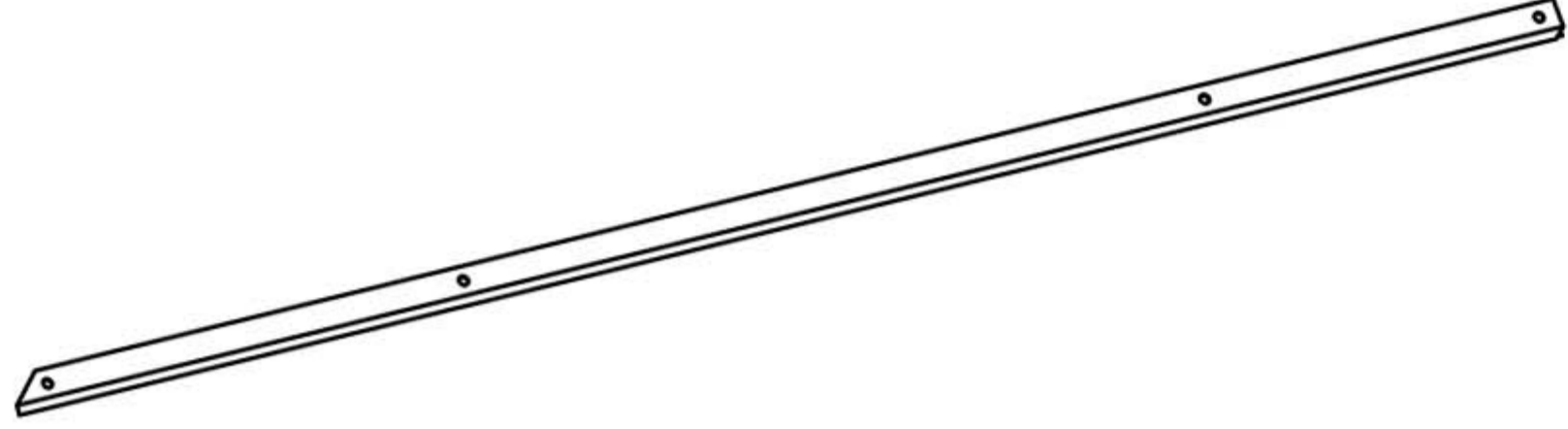
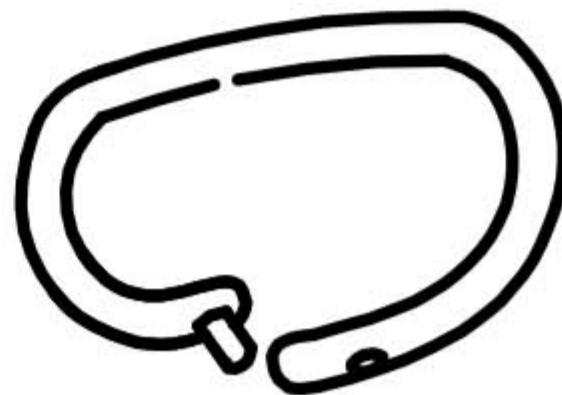
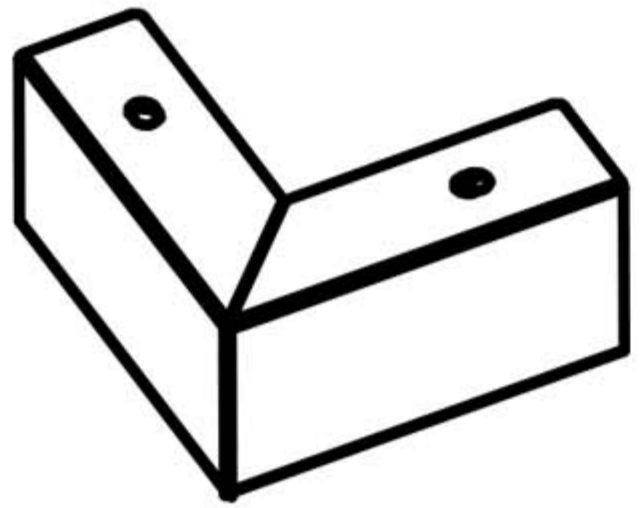

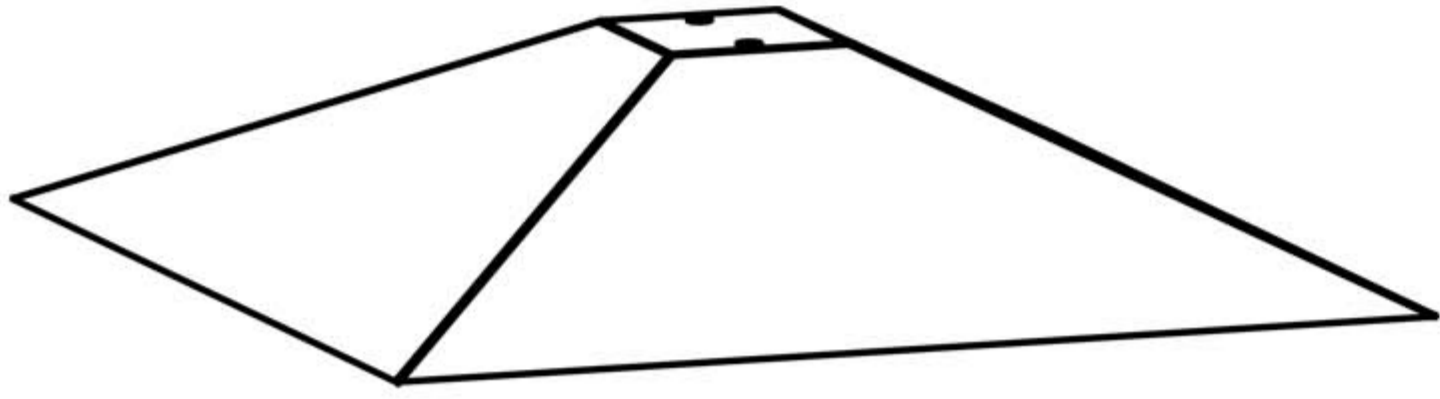




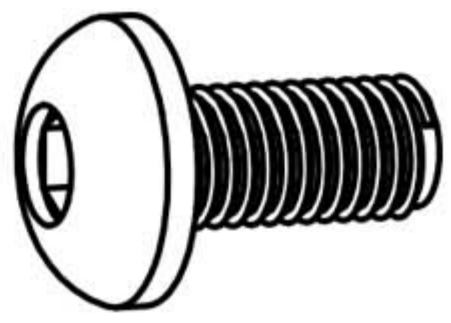



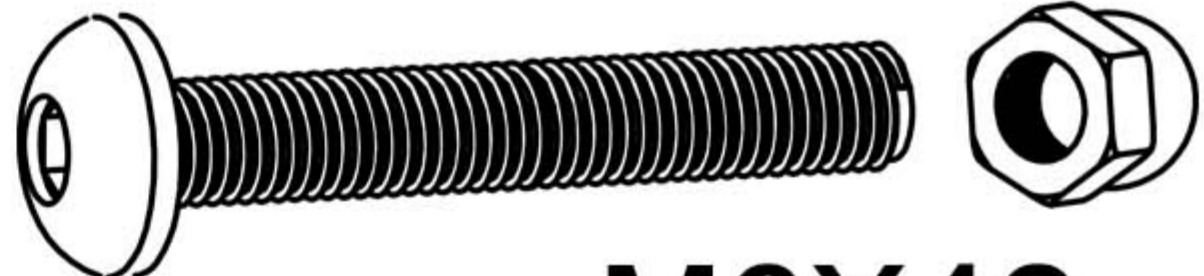

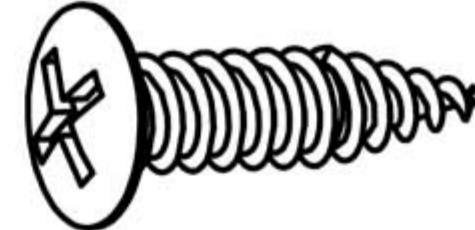
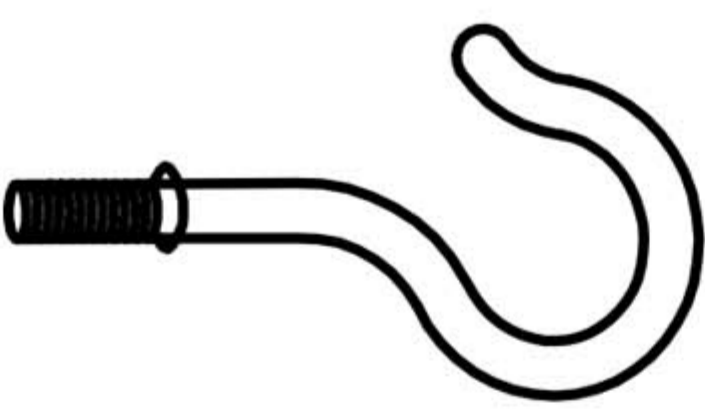
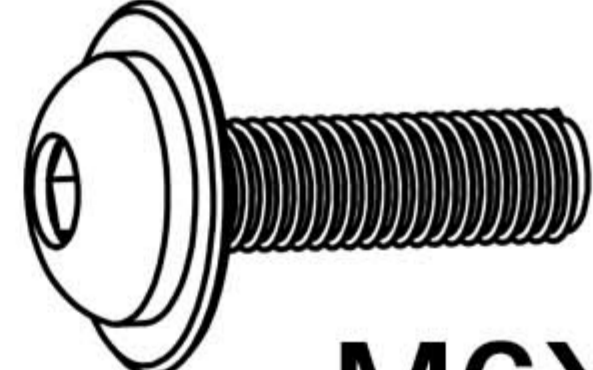
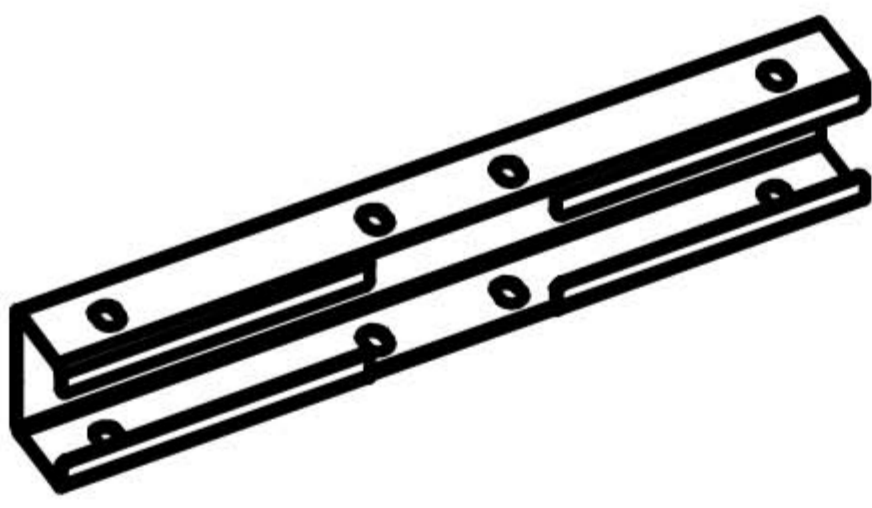
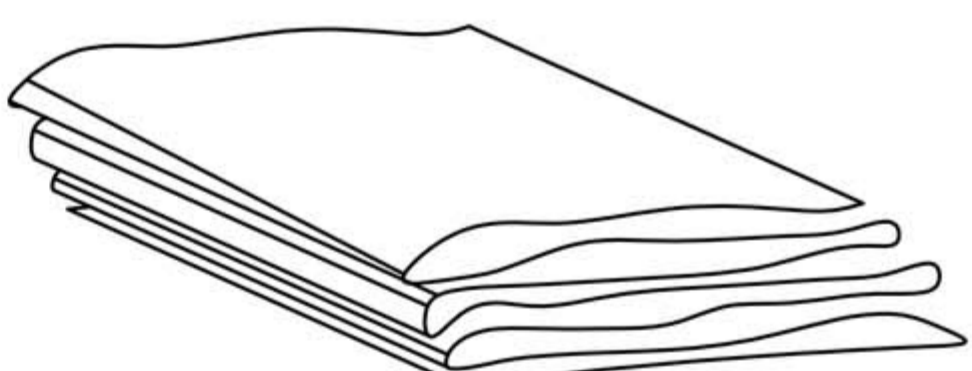
SKU: A001G029-2

Item no.	Reference Image	Qty.
<b>C</b>		4
<b>C1</b>		4
<b>G1</b>		4
<b>G2</b>		4
<b>G5</b>		4
<b>G8</b>		4
<b>D</b>	  <b>M1 X4</b>  <b>X1 X4</b> M6X15mm	4

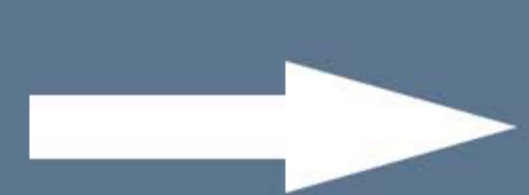
Please take care of the screws and contact the after-sales service if there is any problem with the installation or parts.

➔ ✉ E-mail: [cs.helper01@gmail.com](mailto:cs.helper01@gmail.com)

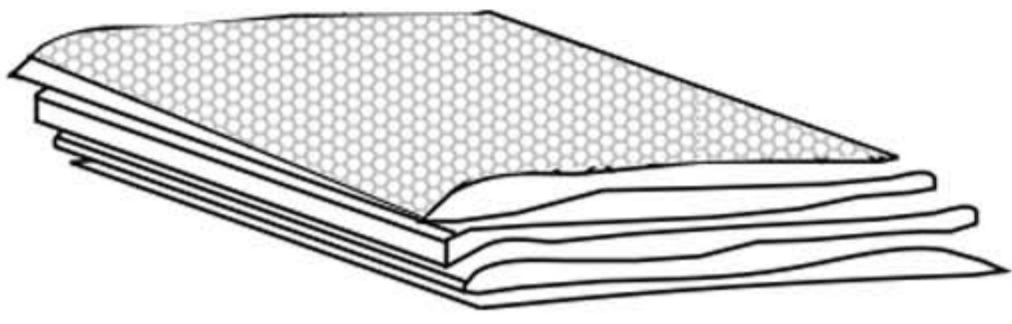
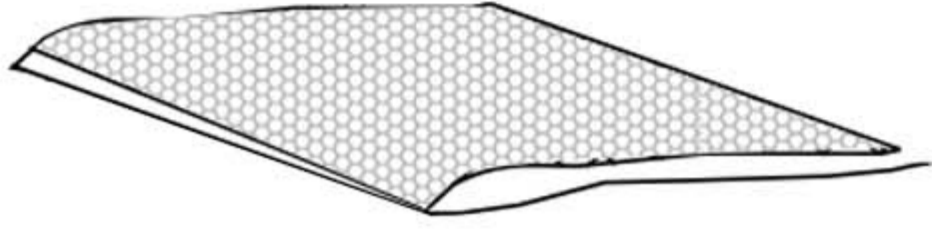
# ACCESSORY CATALOGUE

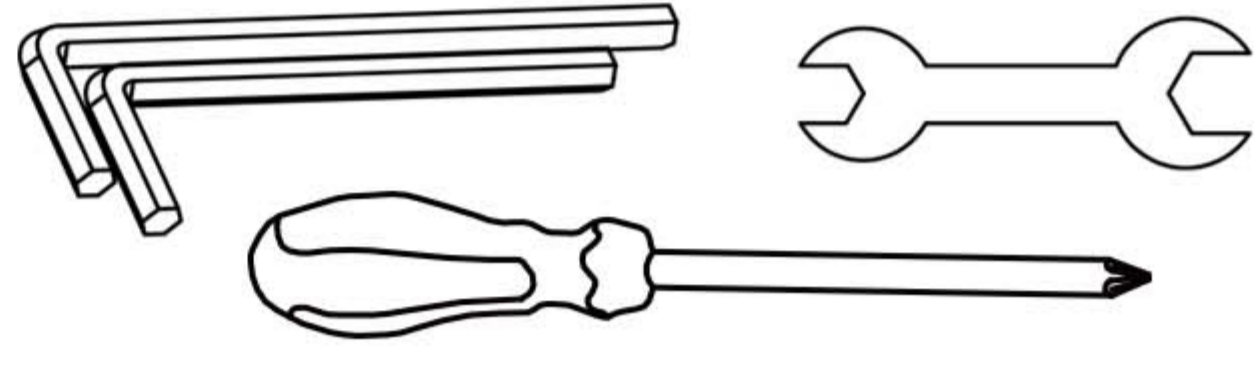

Item no.	Reference Image	Qty.	Item no.	Reference Image	Qty.
<b>H2</b>		8	<b>Q</b>		64
<b>J</b>		4	<b>W</b>		4
<b>K</b>		1	<b>W1</b>		4
<b>K1</b>		1	<b>X</b>	 M6X10mm	32
<b>L</b>		4	<b>X1</b>	 M6X15mm	112
<b>M3</b>		4	<b>X2</b>	 M5X15mm	16
<b>M4</b>		4	<b>X3</b>	 M6X42mm	24
<b>M5</b>		24	<b>X4</b>	 M5X10mm	32
<b>M7</b>		1	<b>X5</b>	 M6X30mm	4
<b>P</b>		4	<b>Z</b>		1

Please take care of the screws and contact the after-sales service if there is any problem with the installation or parts.



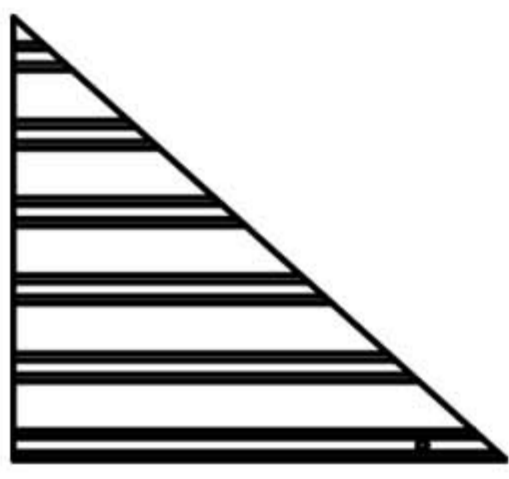
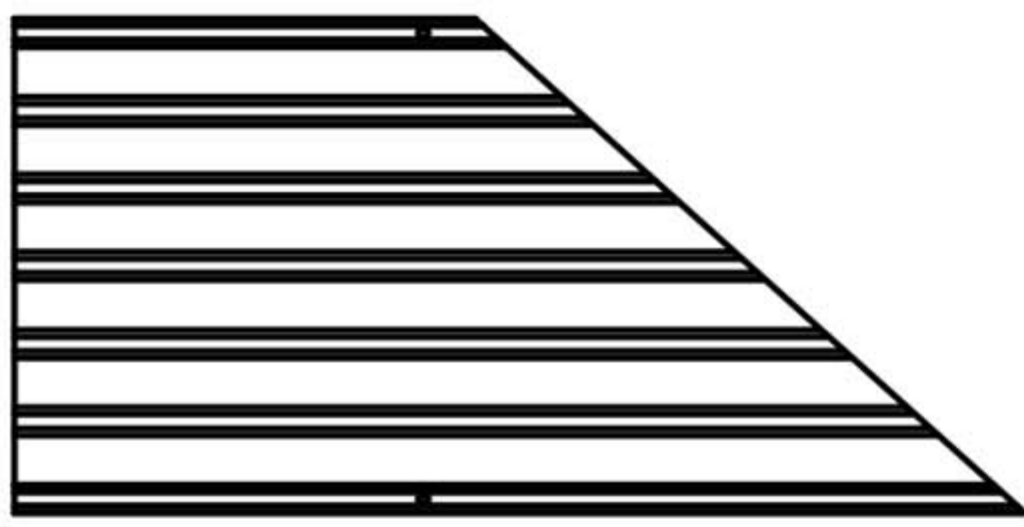


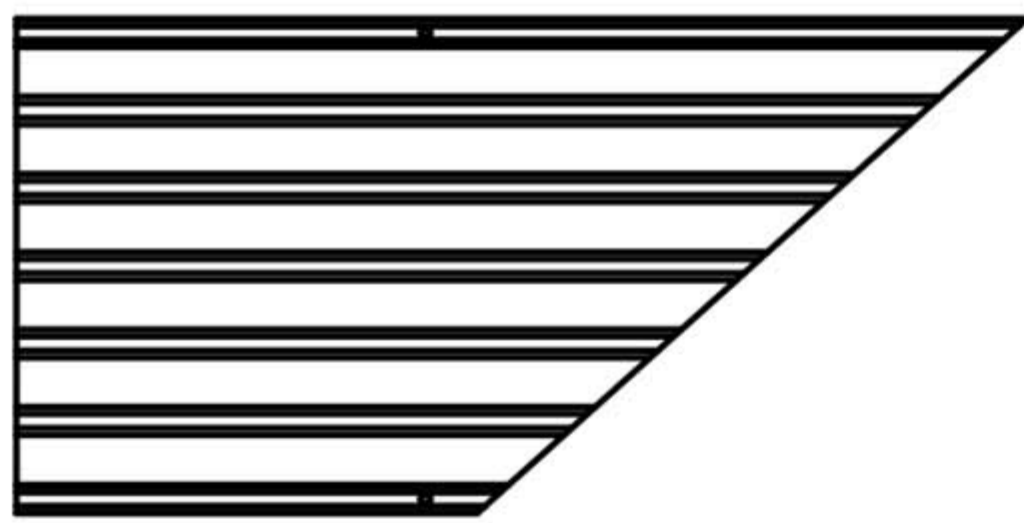
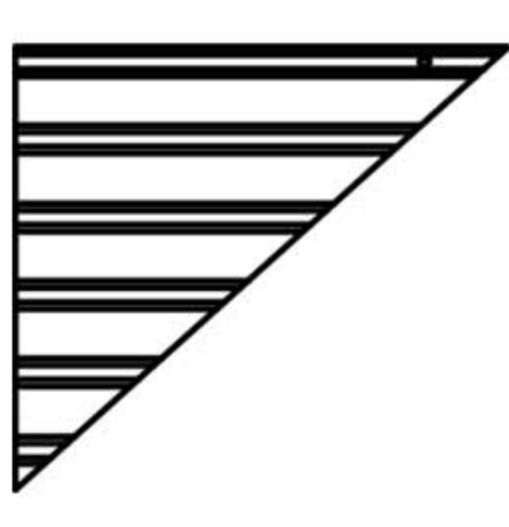
# ACCESSORY CATALOGUE

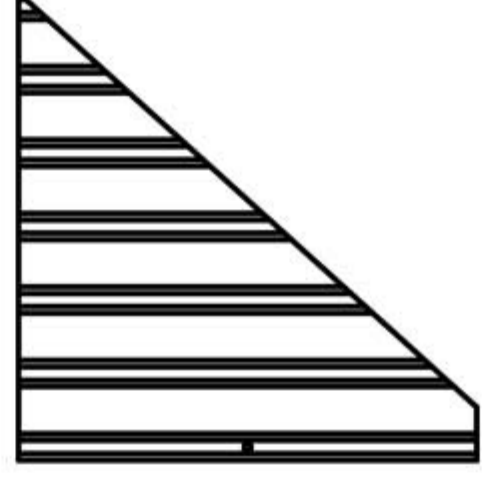
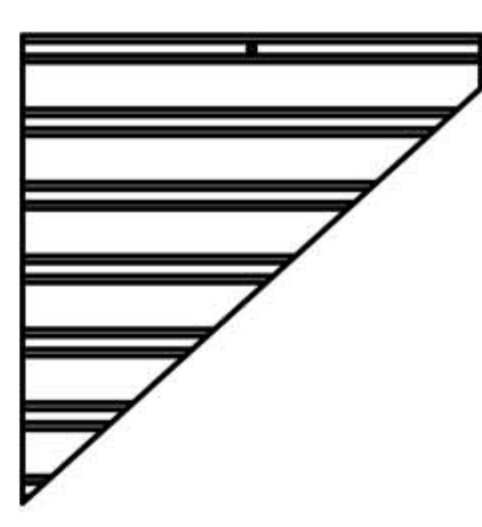
Item no.	Reference Image	Qty.
<b>Z1</b>		1
<b>Z2</b>		1

Item no.	Reference Image	Qty.
<b>1</b>		1
<b>2</b>		8

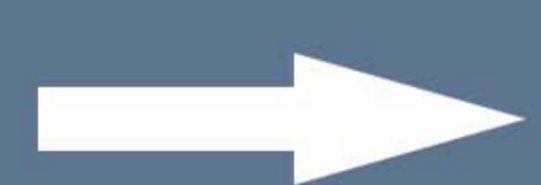
## BOX 3

SKU: A001G029-3

Item no.	Reference Image	Qty.
<b>O1</b>		4
<b>O2</b>		4
<b>O3</b>		4
<b>V3</b>		4
<b>V2</b>		4
<b>V1</b>		4

Item no.	Reference Image	Qty.
<b>O4</b>		4
<b>V4</b>		4

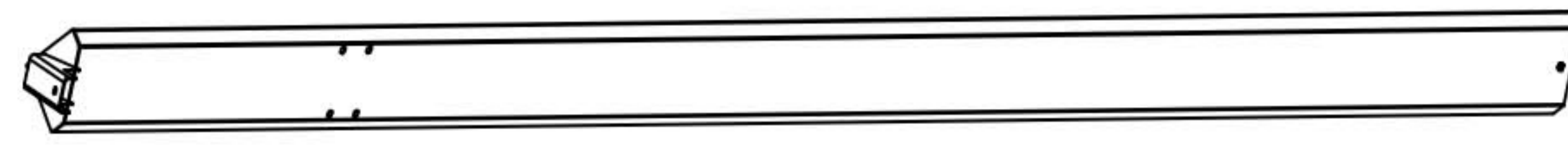
Please take care of the screws and contact the after-sales service if there is any problem with the installation or parts.



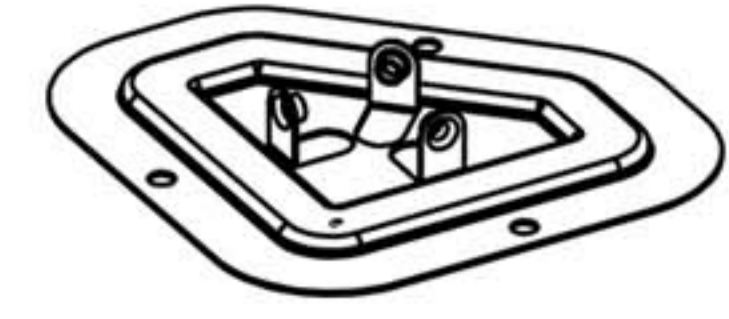
E-mail: [cs.helper01@gmail.com](mailto:cs.helper01@gmail.com)

# STEP 1

Parts required



A 4pcs

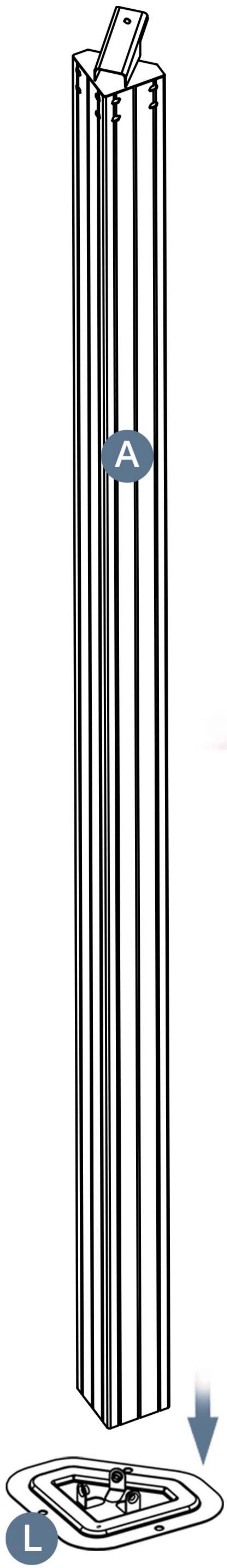


L 4pcs



X1 12pcs

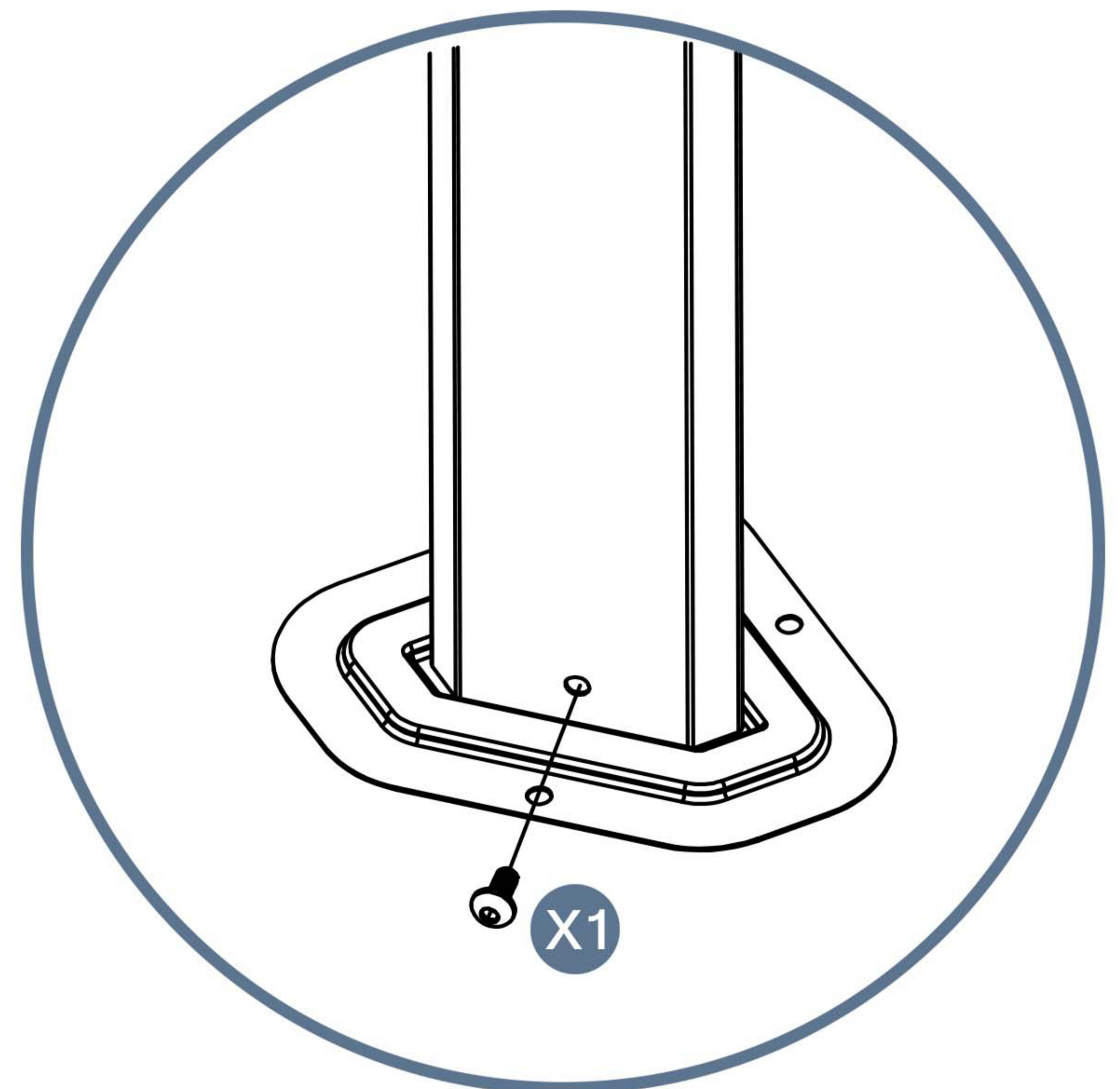
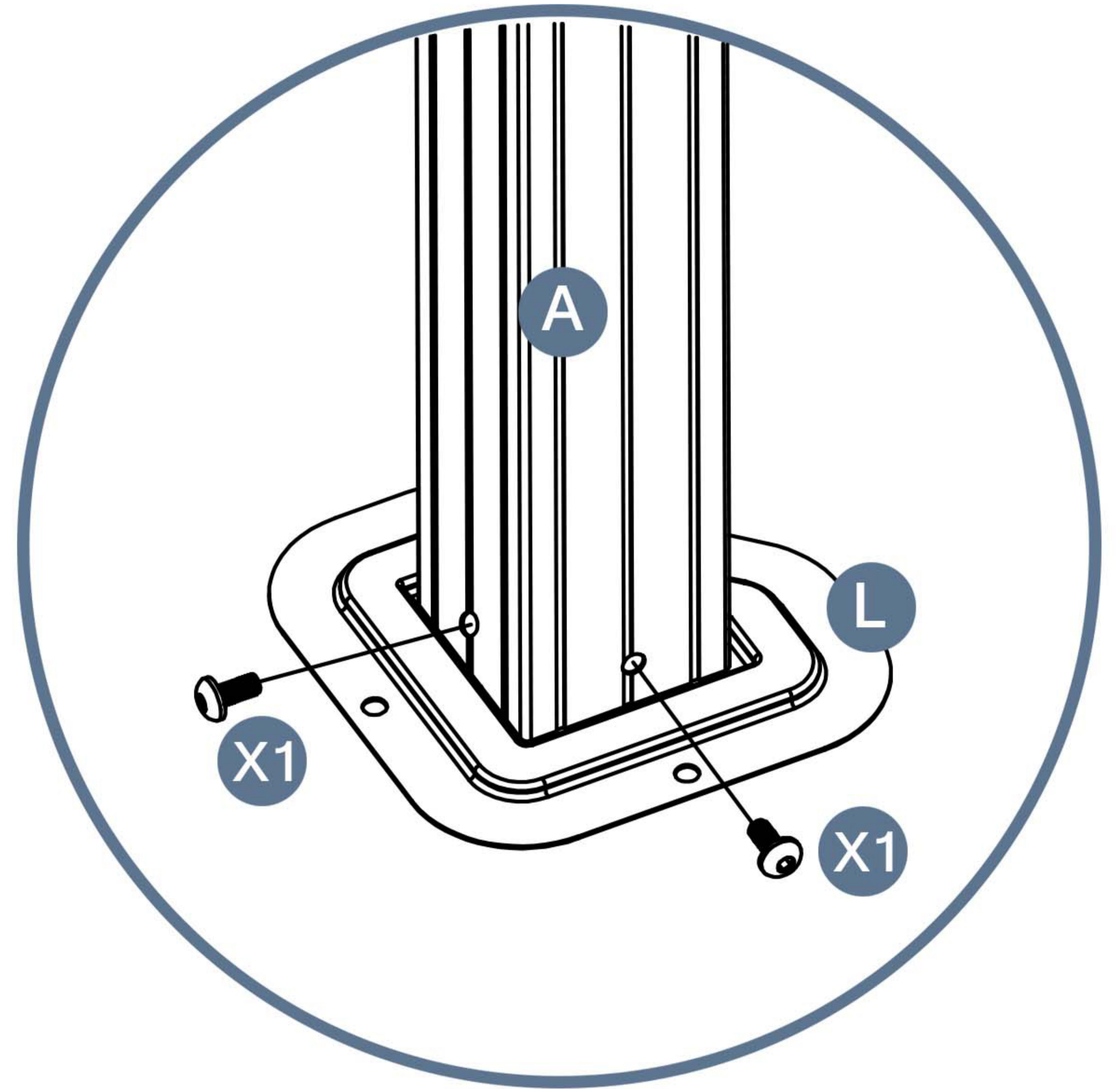
1 → 2



1

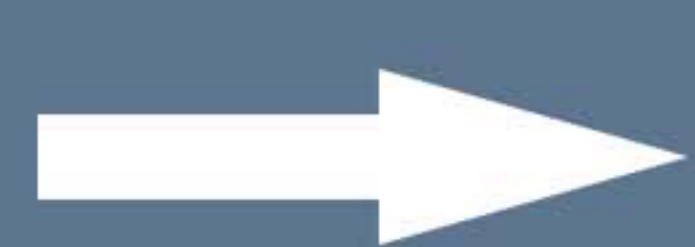


X4



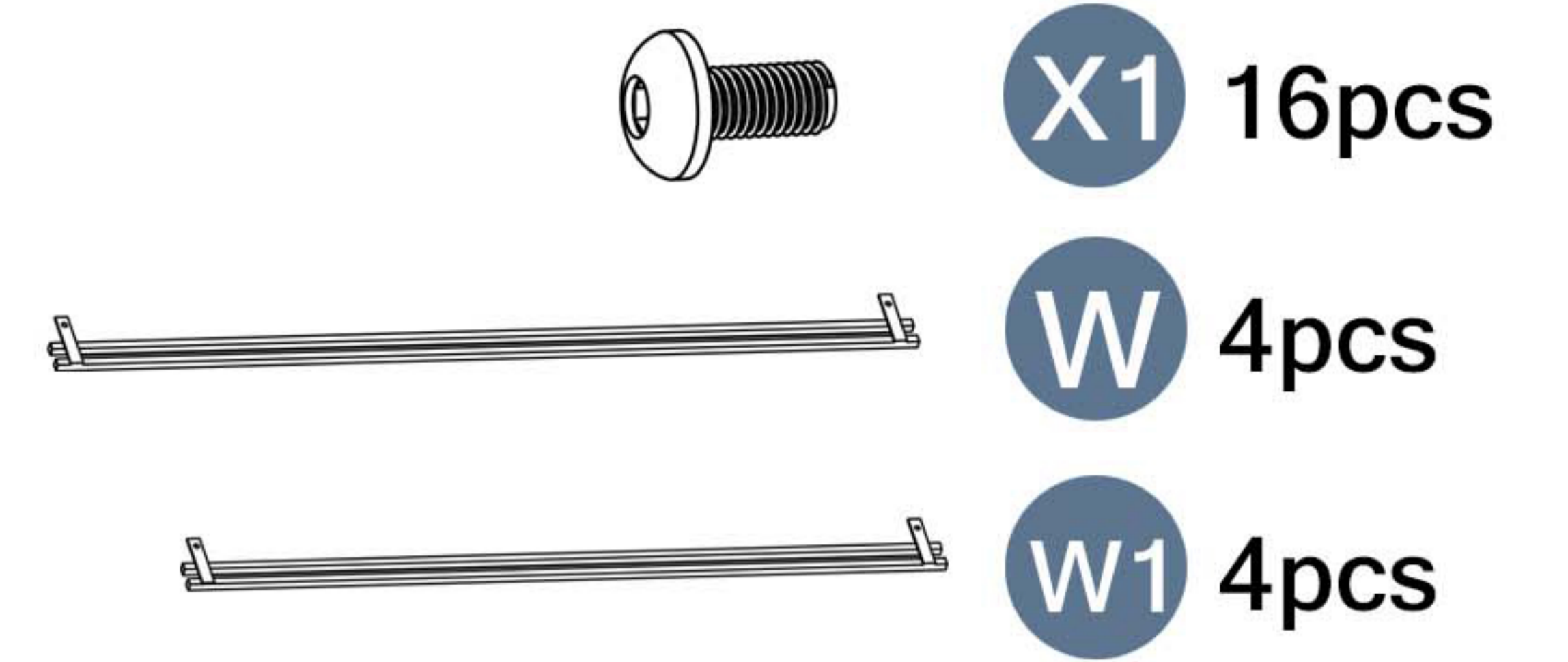
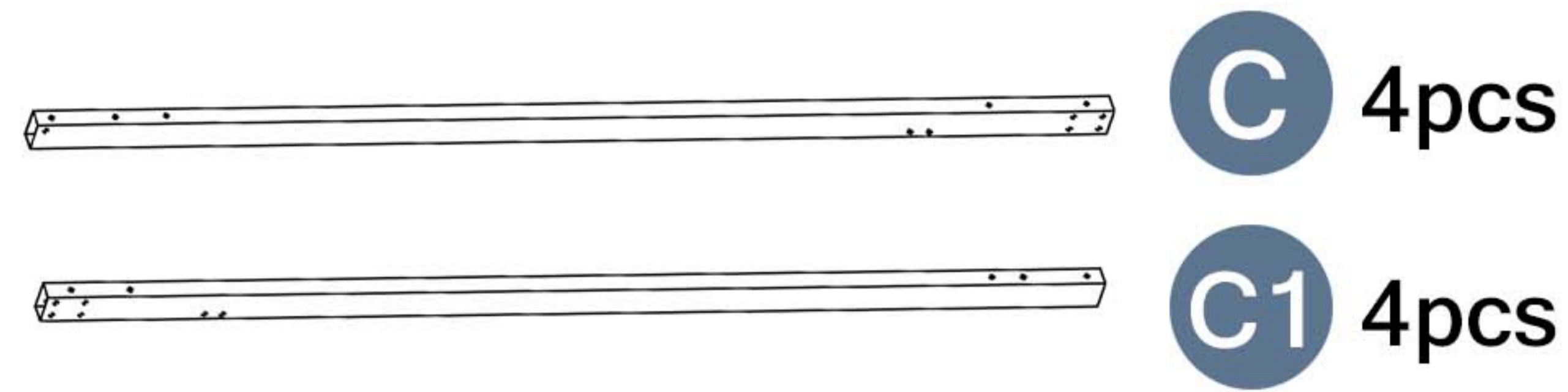
2

Please take care of the screws and contact the after-sales service if there is any problem with the installation or parts.

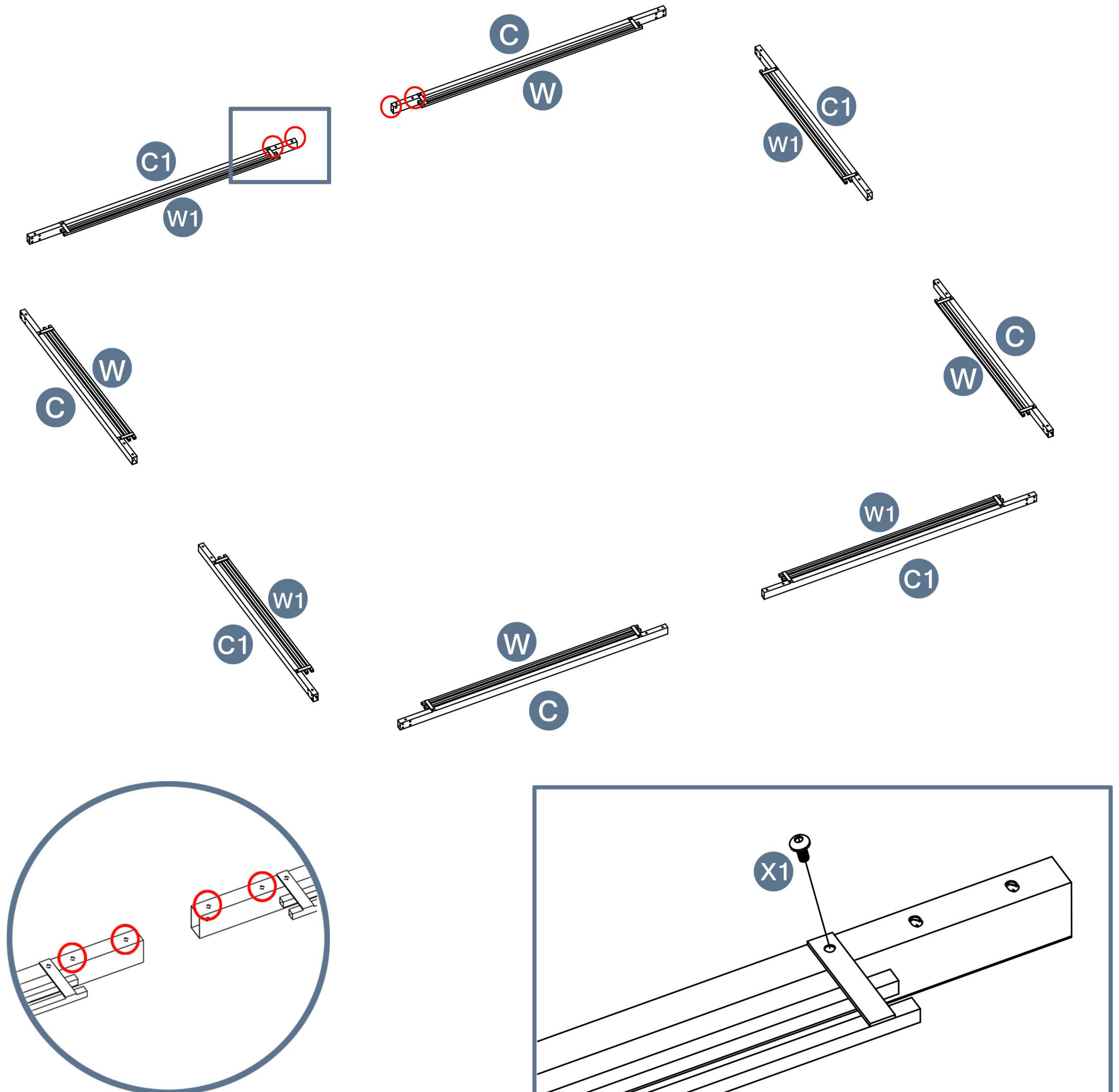


# STEP 2

Parts required



For easy installation,  
please put the corresponding combination in advance.



○ To facilitate the next step of installation,  
pay attention to the orientation of the hole

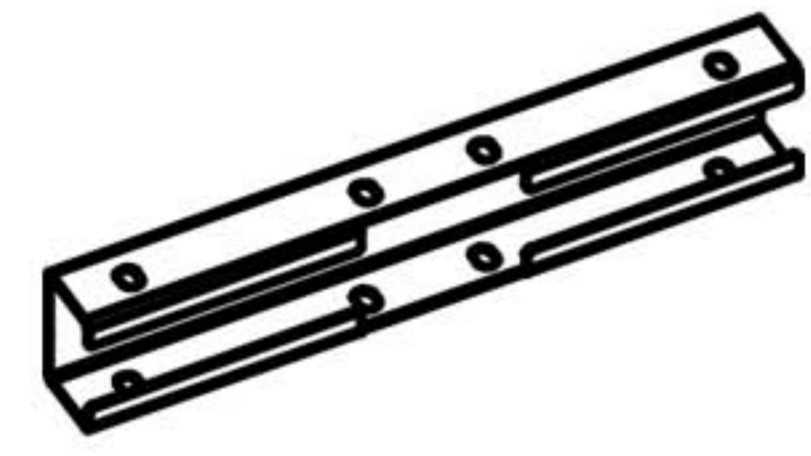
The same way to install them.

Please take care of the screws and contact the after-sales service if there is any problem with the installation or parts.

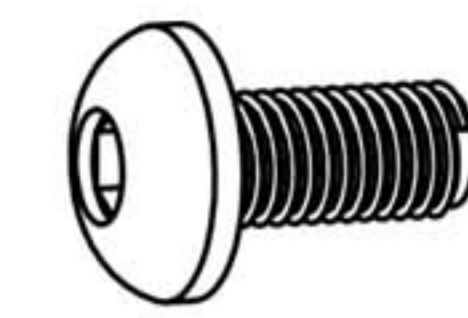
➔ ✉ E-mail: [cs.helper01@gmail.com](mailto:cs.helper01@gmail.com)

# STEP 3

Parts required

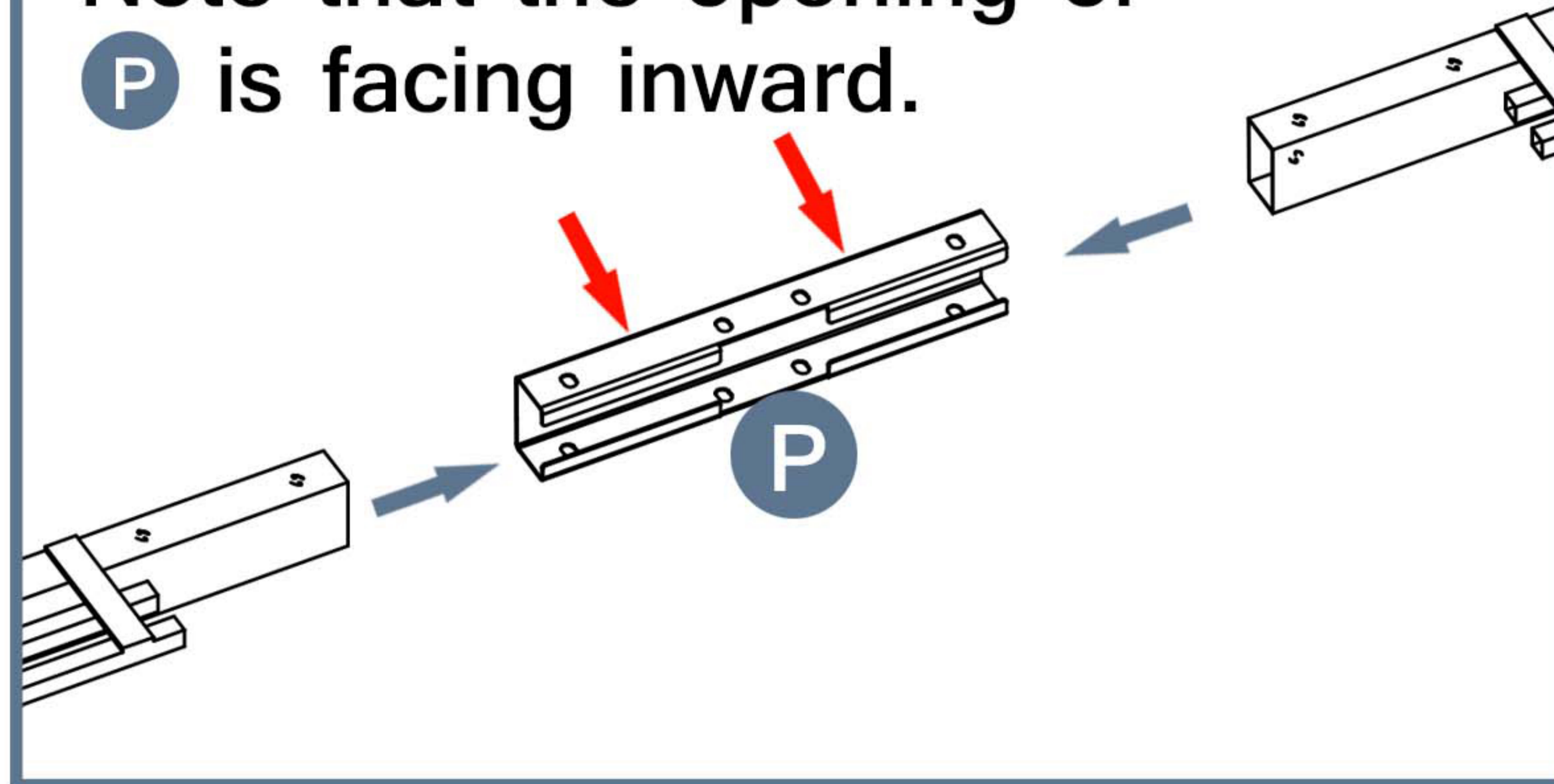


P 4pcs

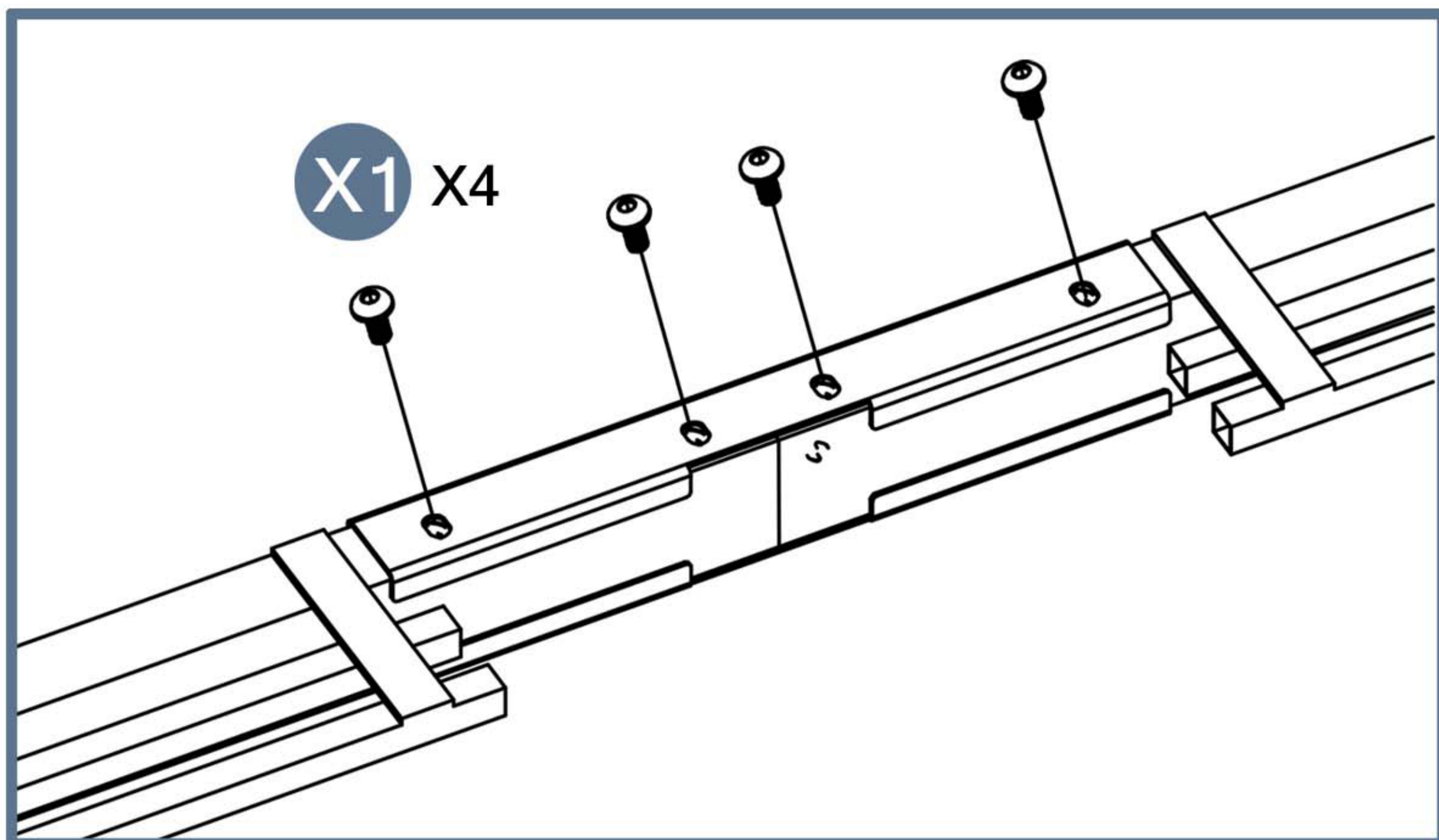


X1 32pcs

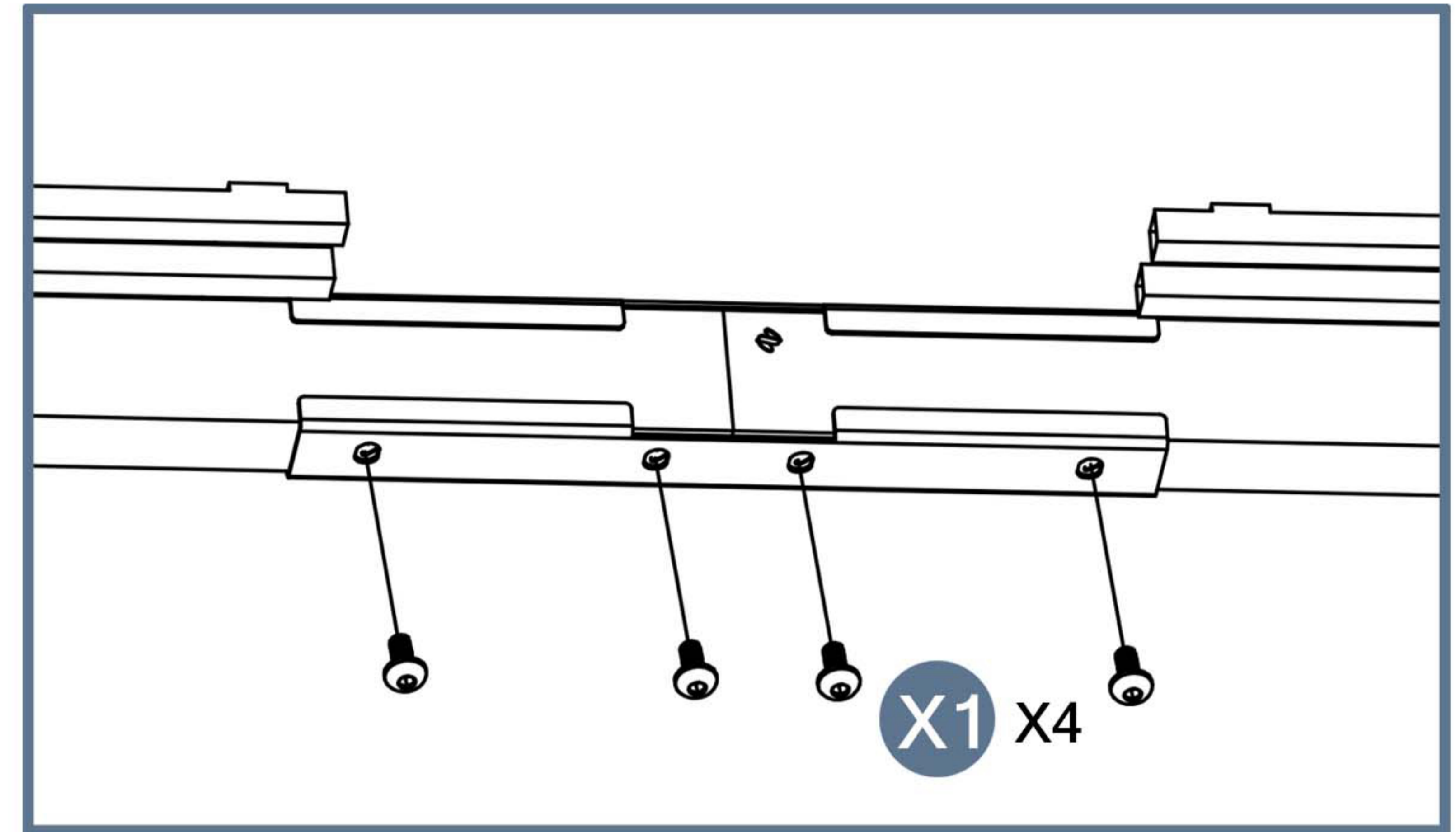
Note that the opening of P is facing inward.



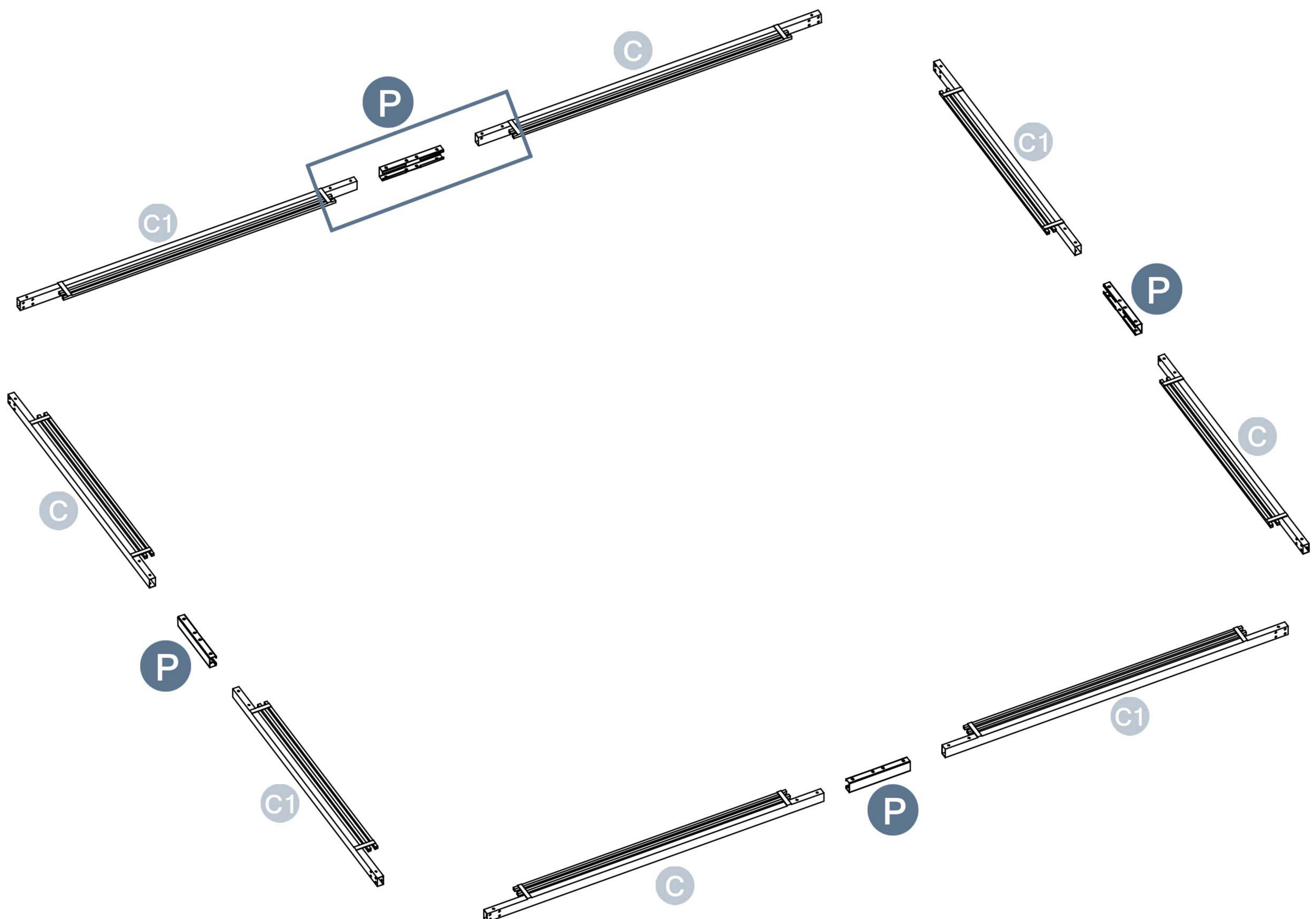
1



2



3



Please take care of the screws and contact the after-sales service if there is any problem with the installation or parts.

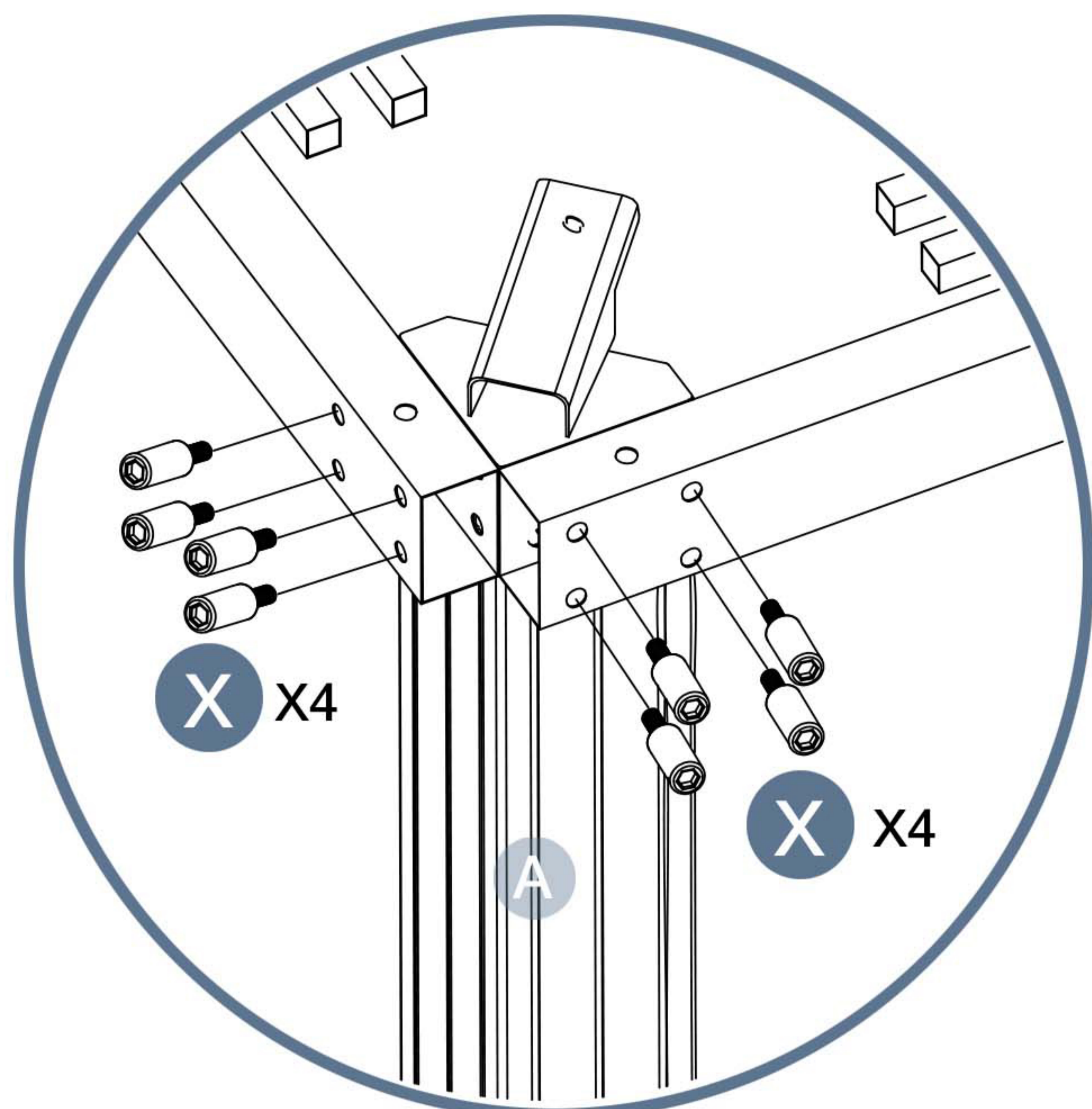


# STEP 4

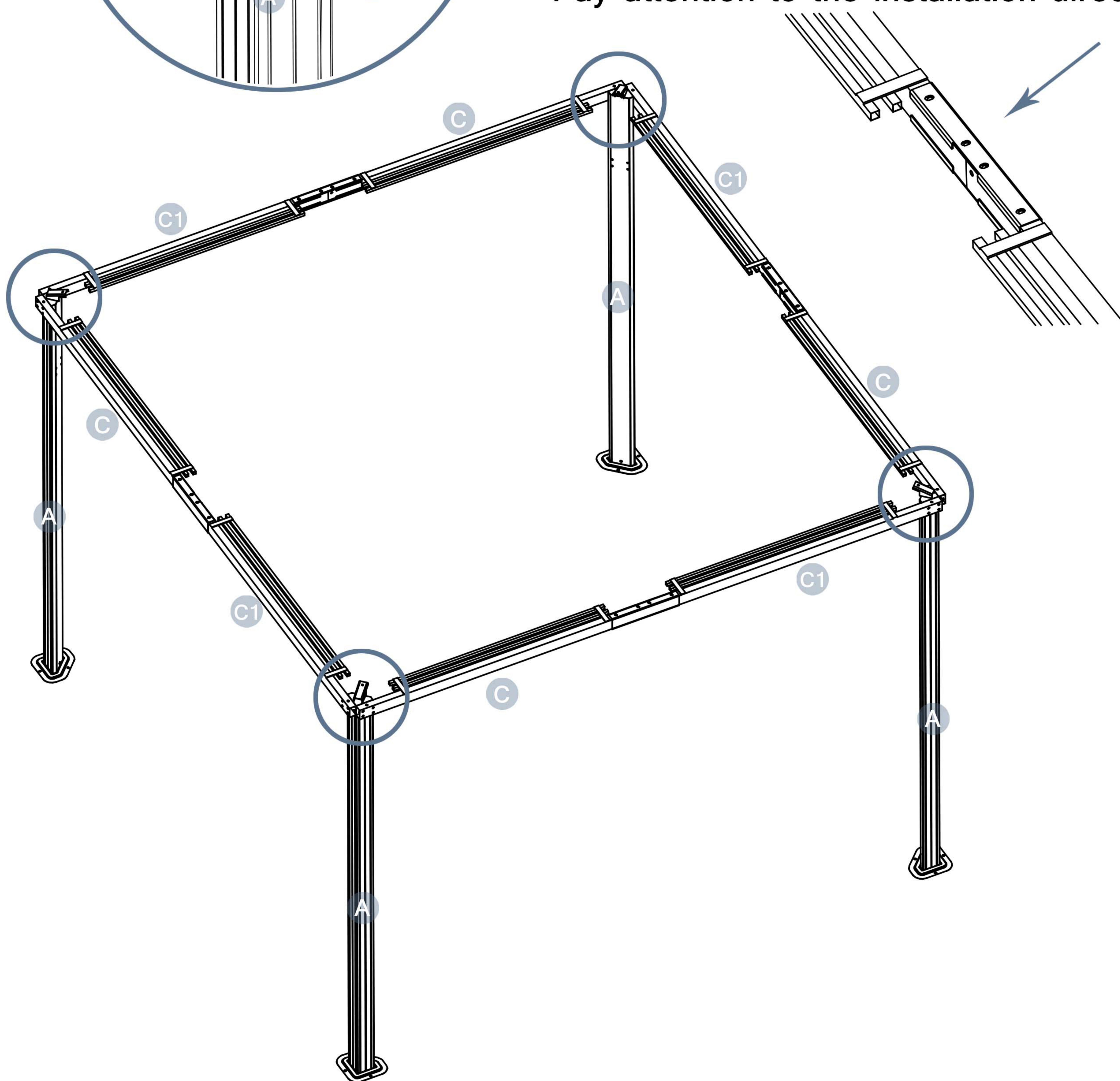
Parts required



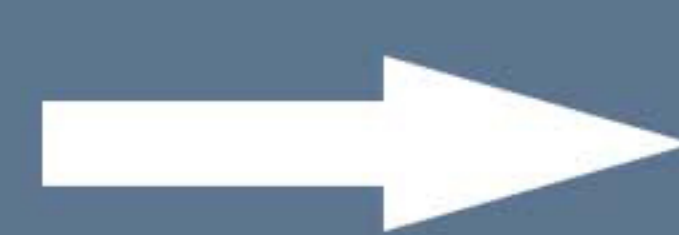
X 32pcs



Pay attention to the installation direction



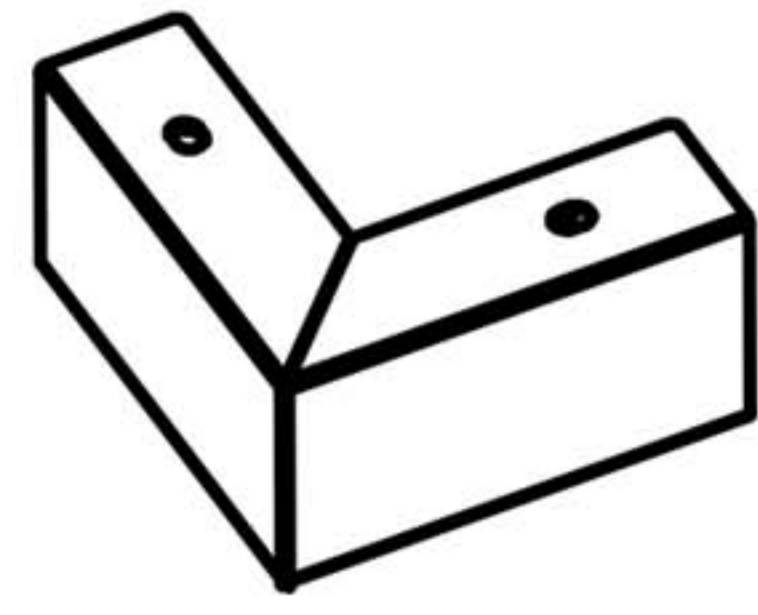
Please take care of the screws and contact the after-sales service if there is any problem with the installation or parts.



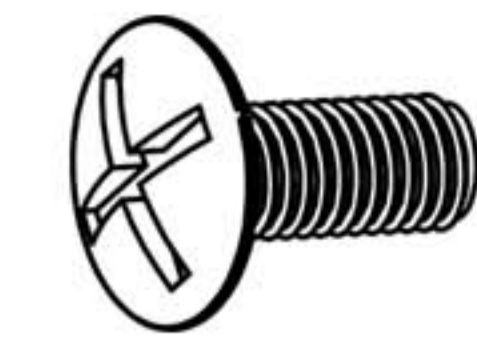
E-mail: [cs.helper01@gmail.com](mailto:cs.helper01@gmail.com)

# STEP 5

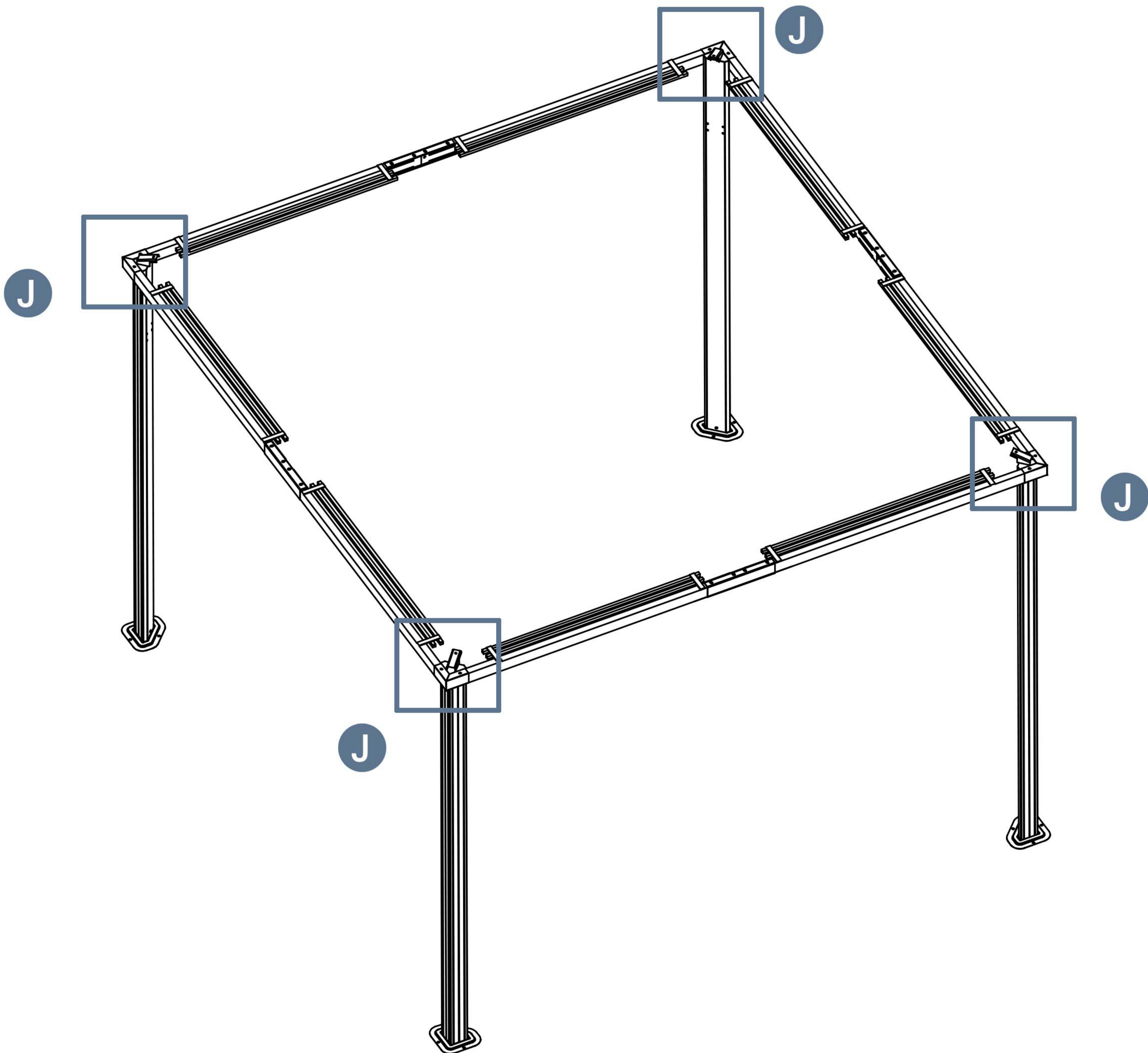
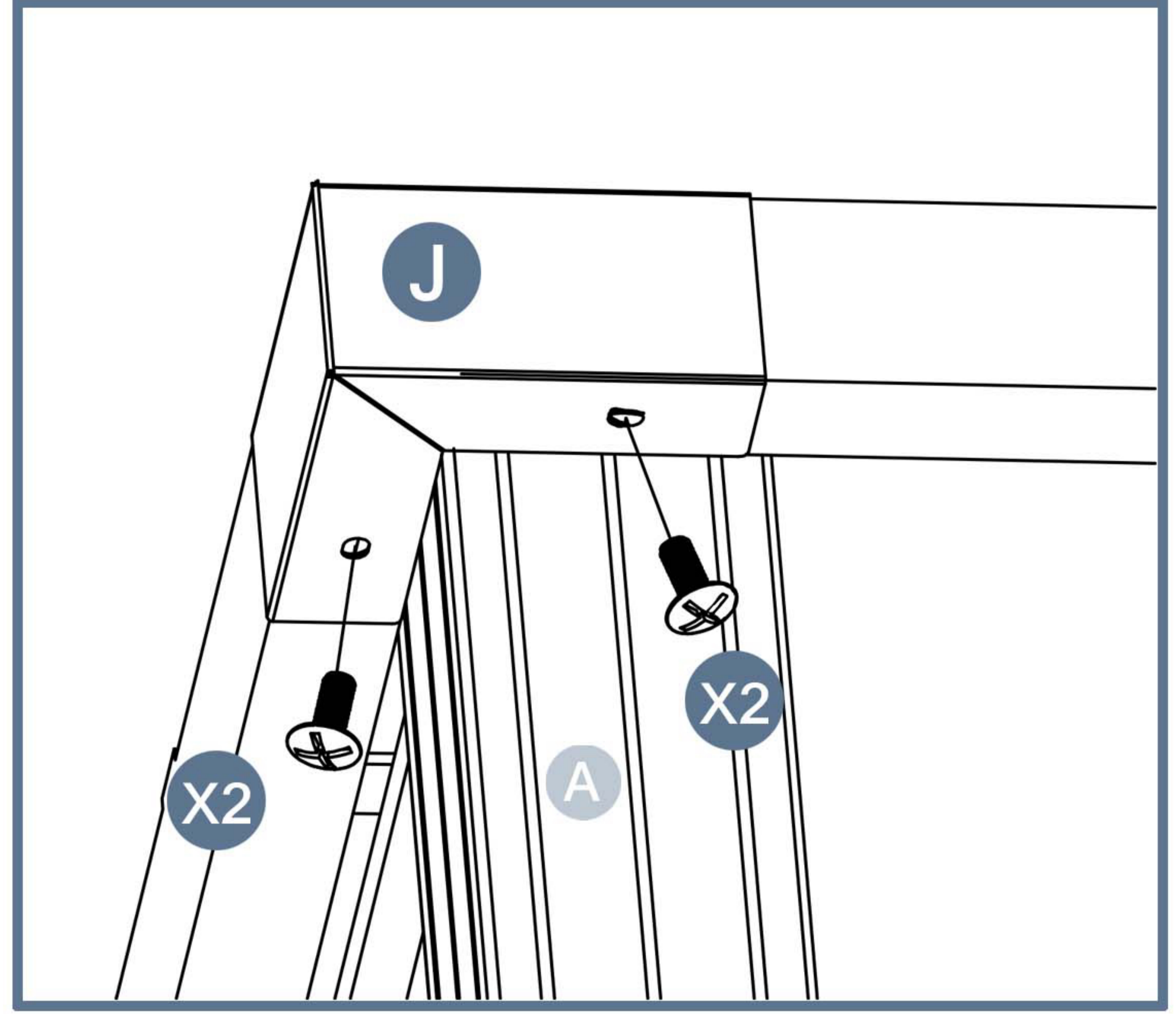
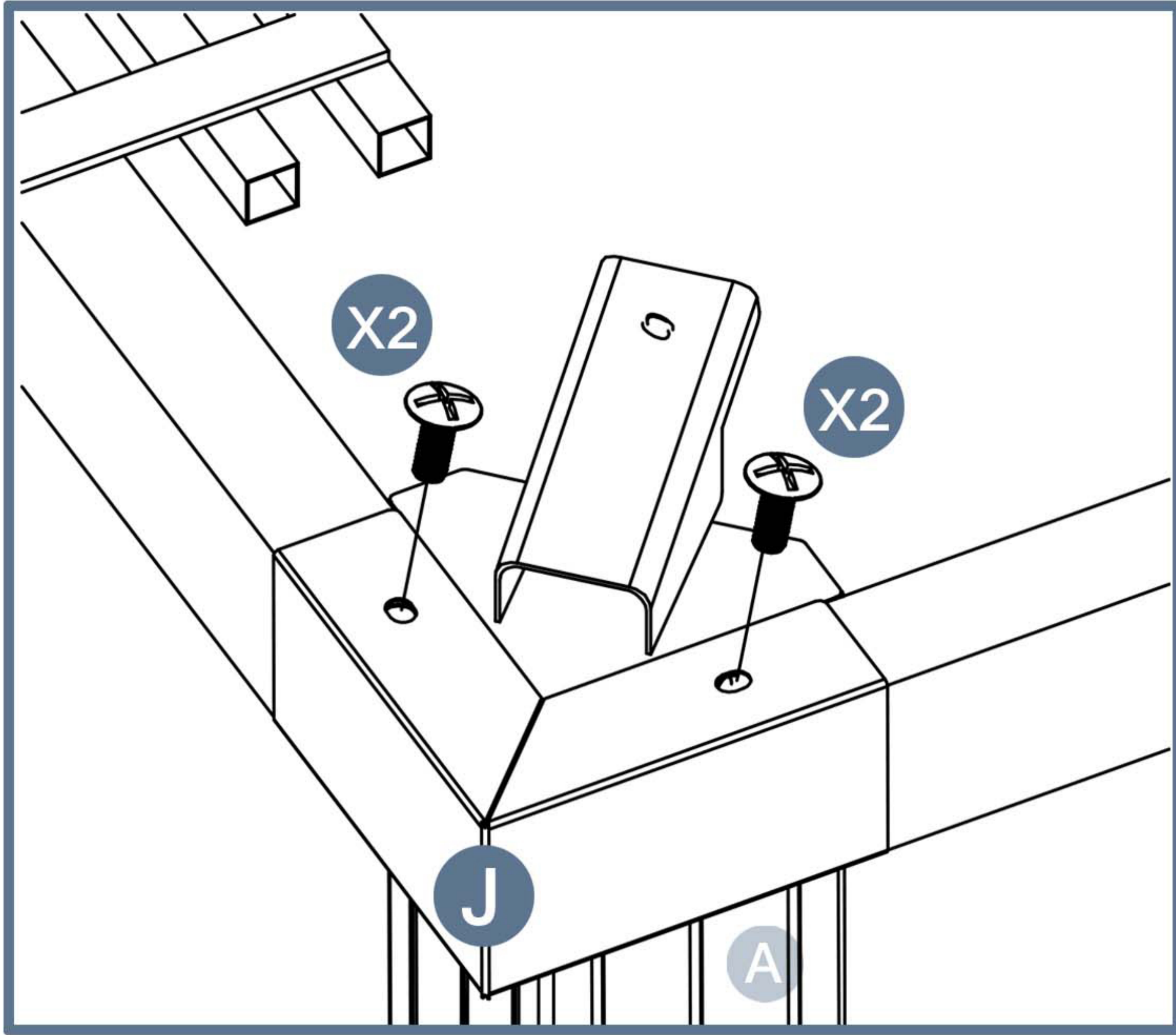
Parts required



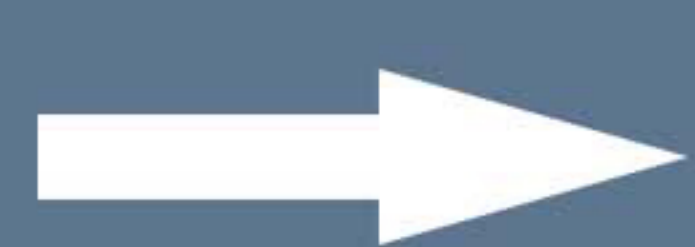
J 4pcs



X2 16pcs

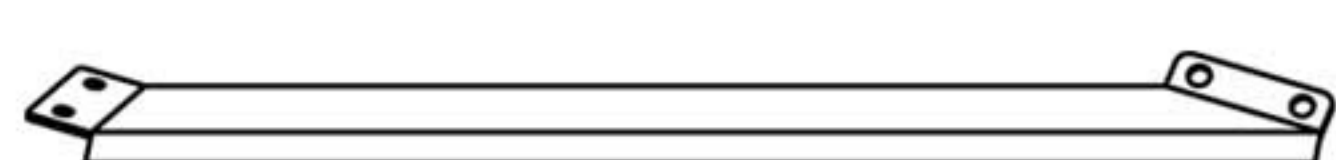


Please take care of the screws and contact the after-sales service if there is any problem with the installation or parts.

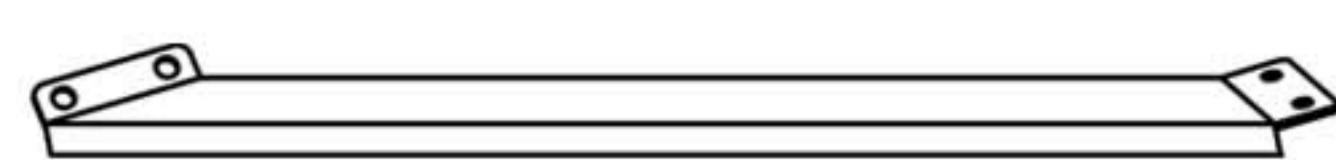


# STEP 6

Parts required



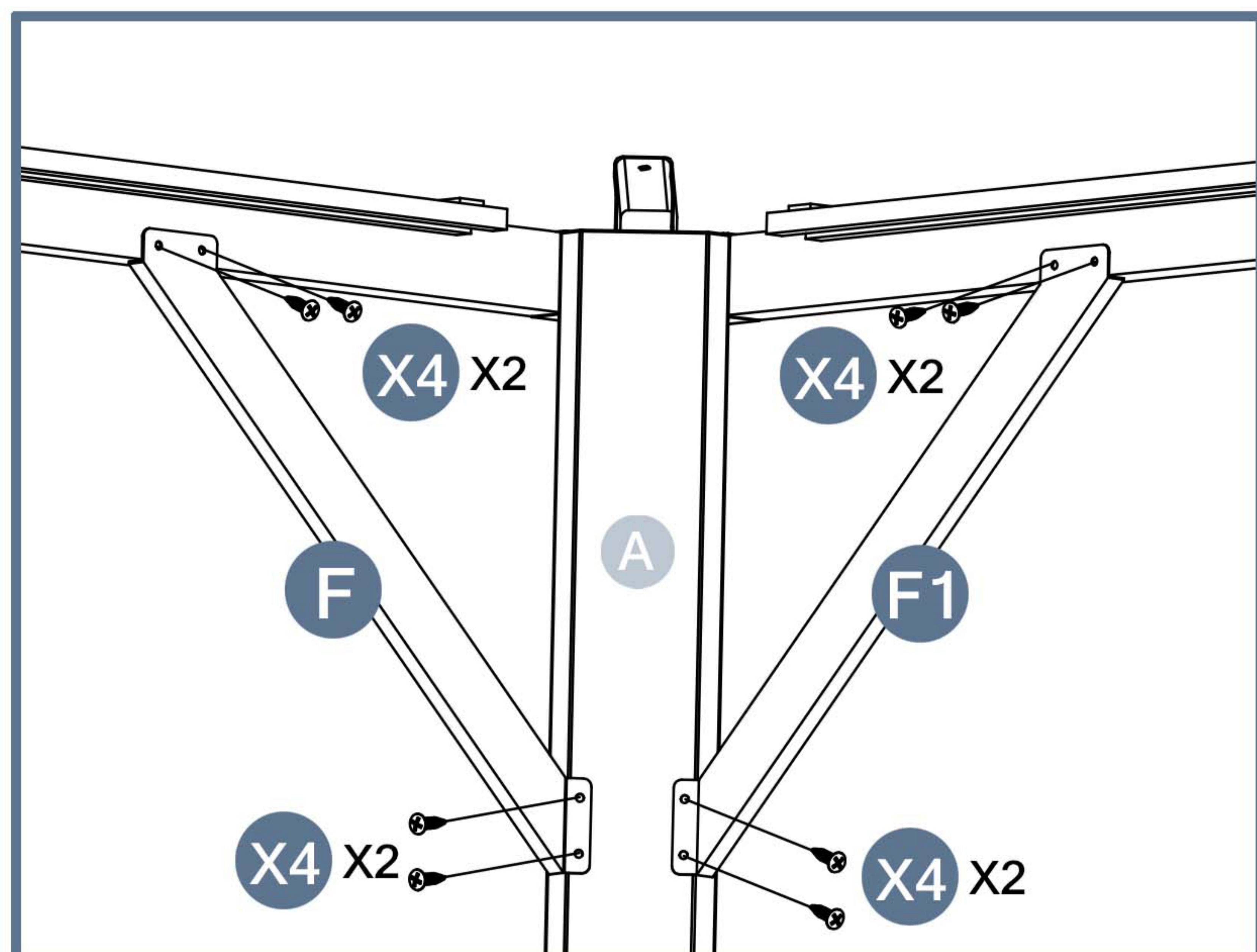
F 4pcs



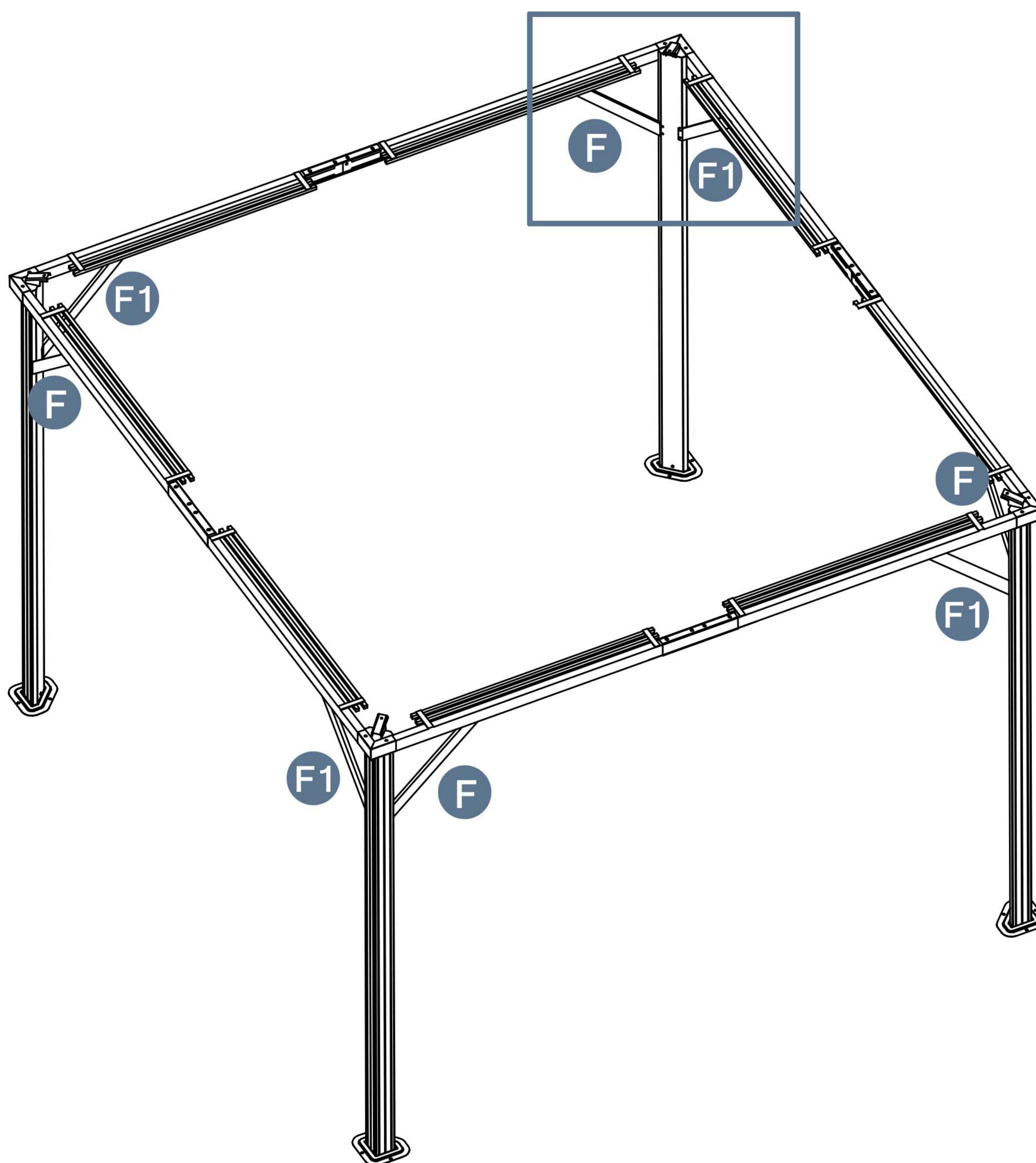
F1 4pcs



X4 32pcs



Pay attention to the mounting position of F and F1 .



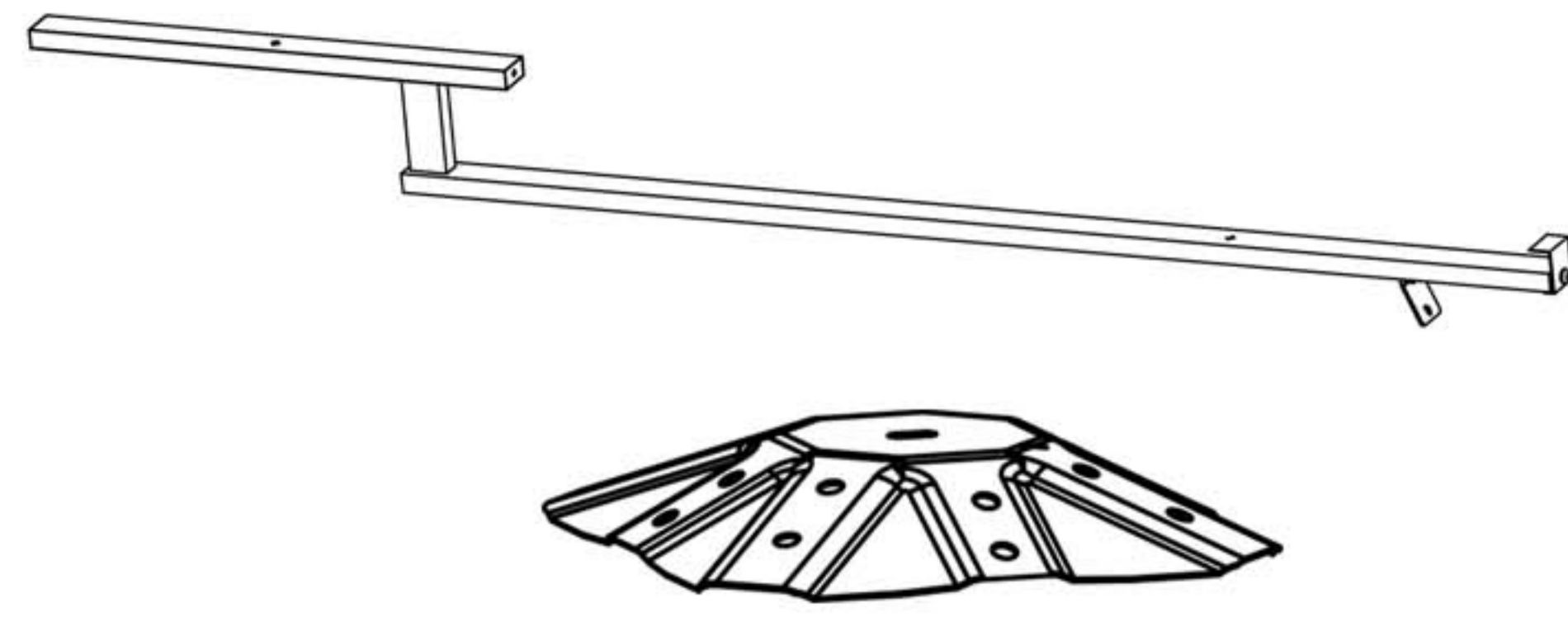
Please take care of the screws and contact the after-sales service if there is any problem with the installation or parts.



E-mail: [cs.helper01@gmail.com](mailto:cs.helper01@gmail.com)

# STEP 7

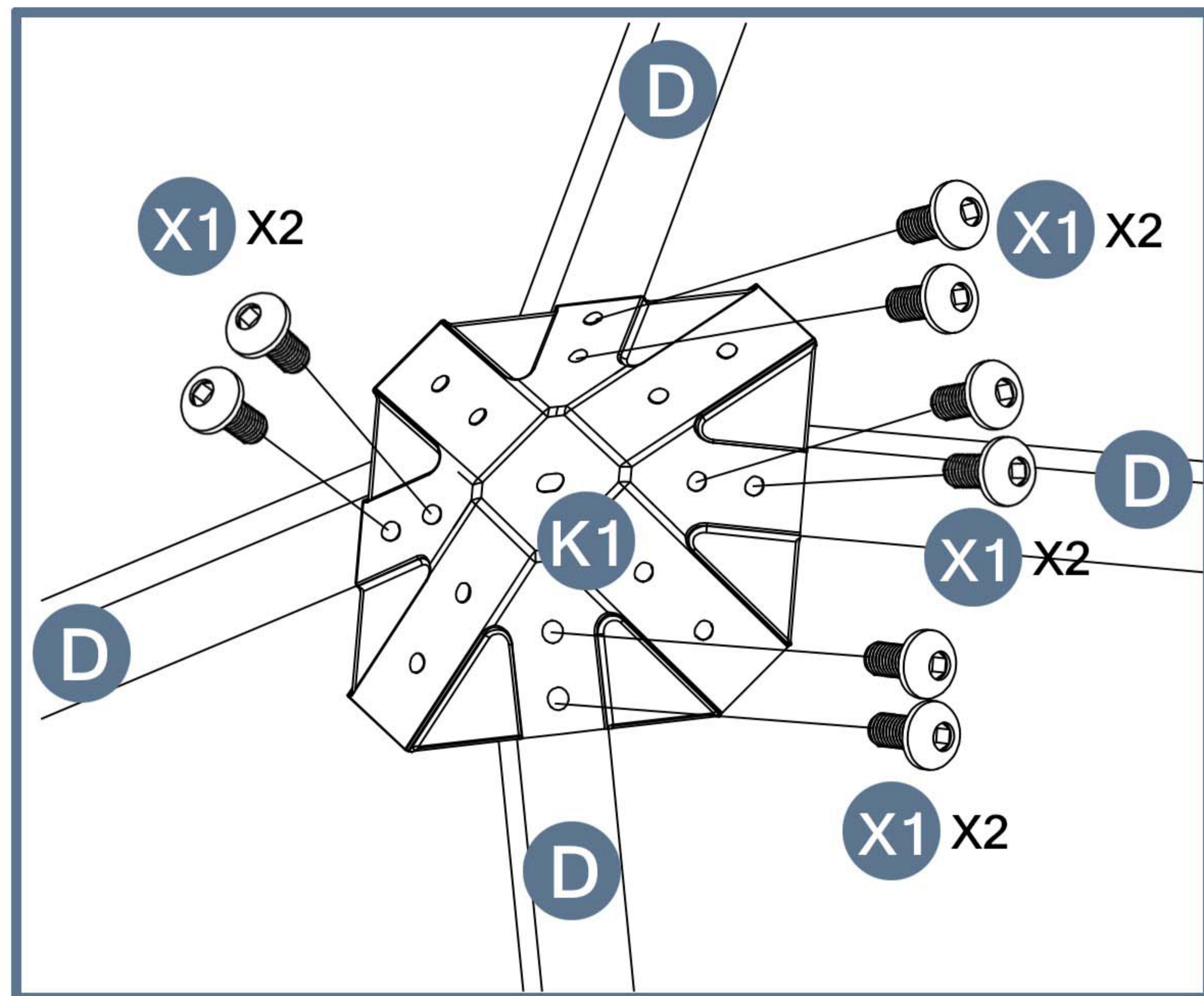
Parts required



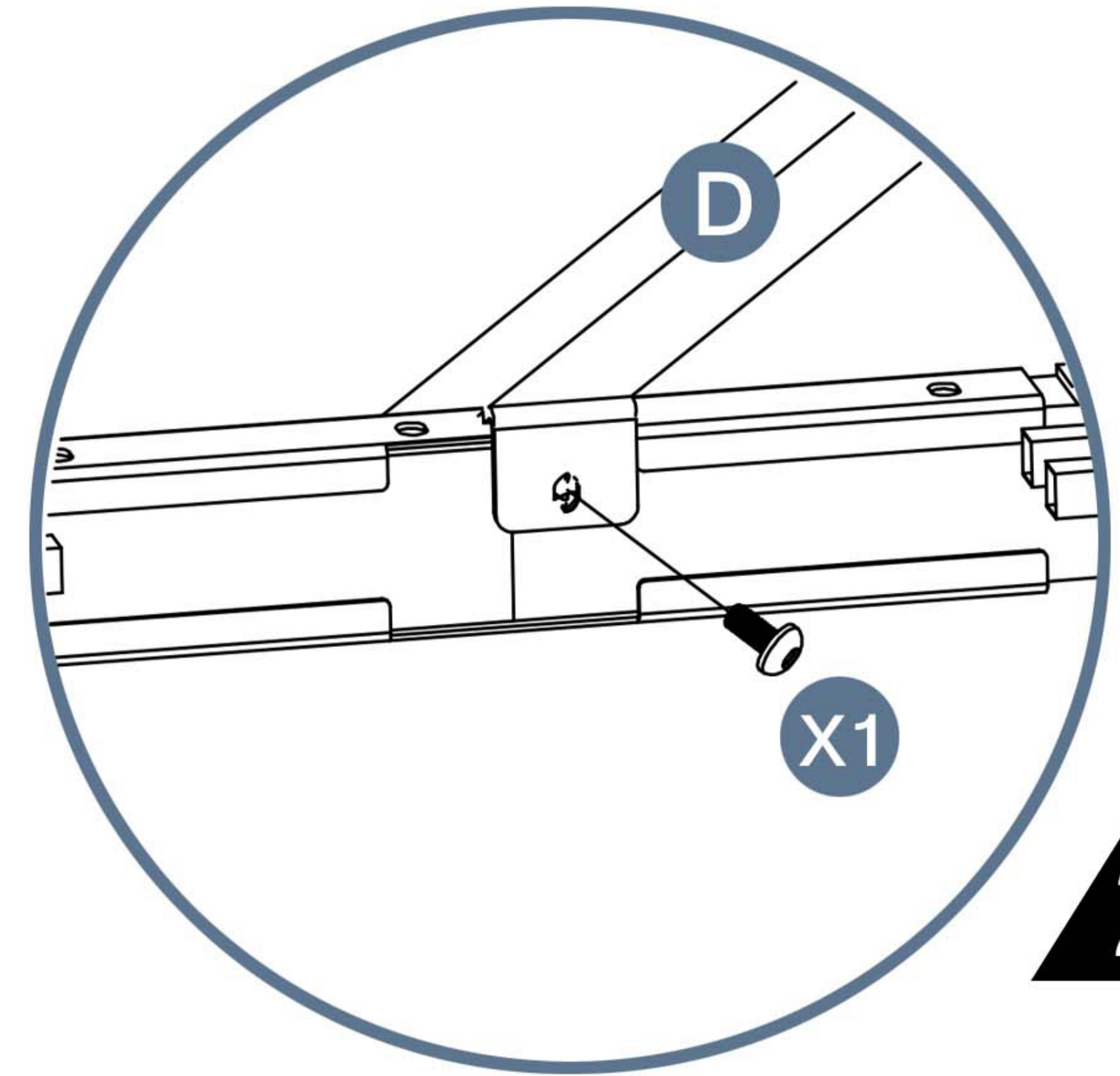
D 4pcs

K1 1pcs

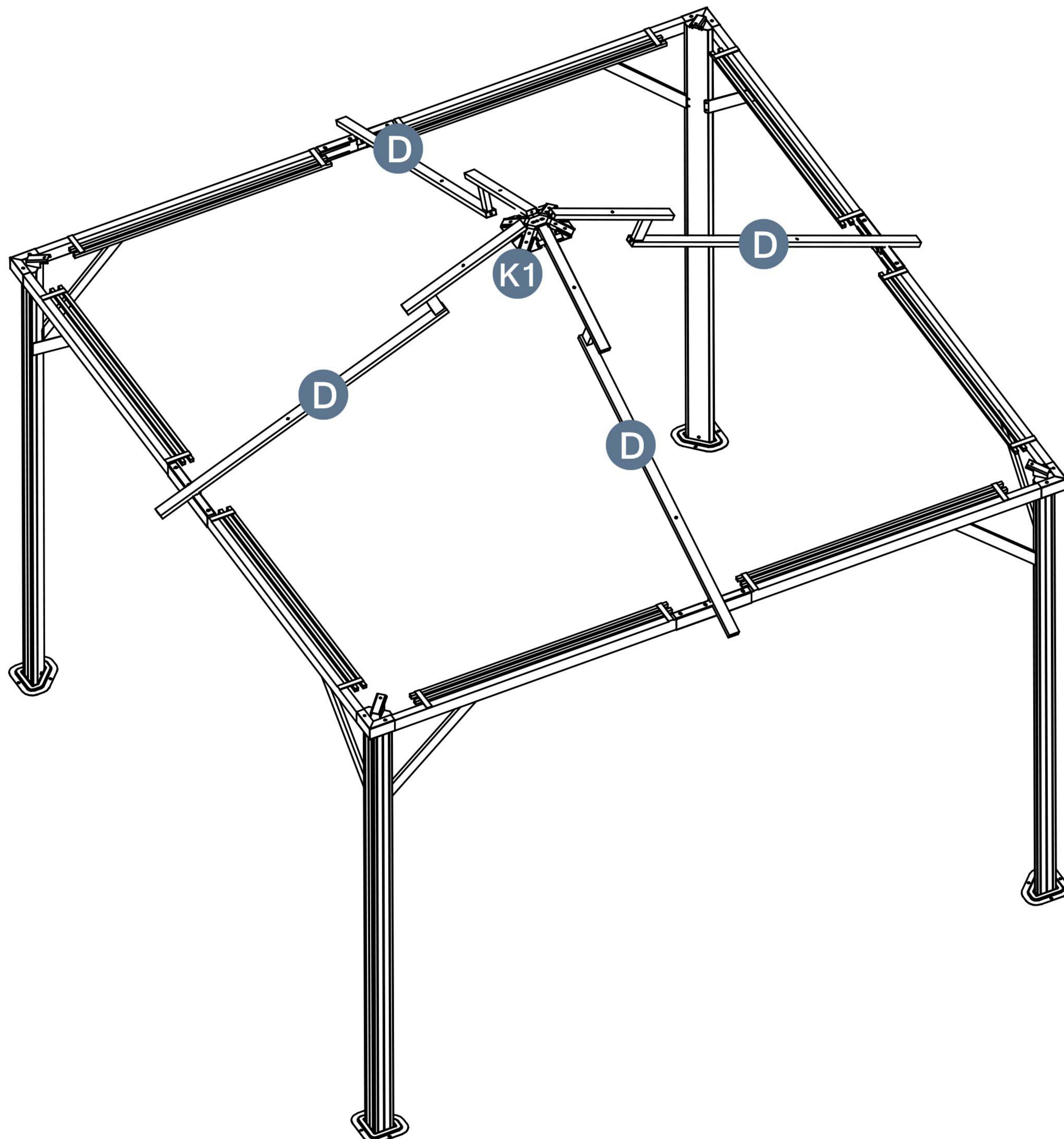
X1 12pcs



1



2

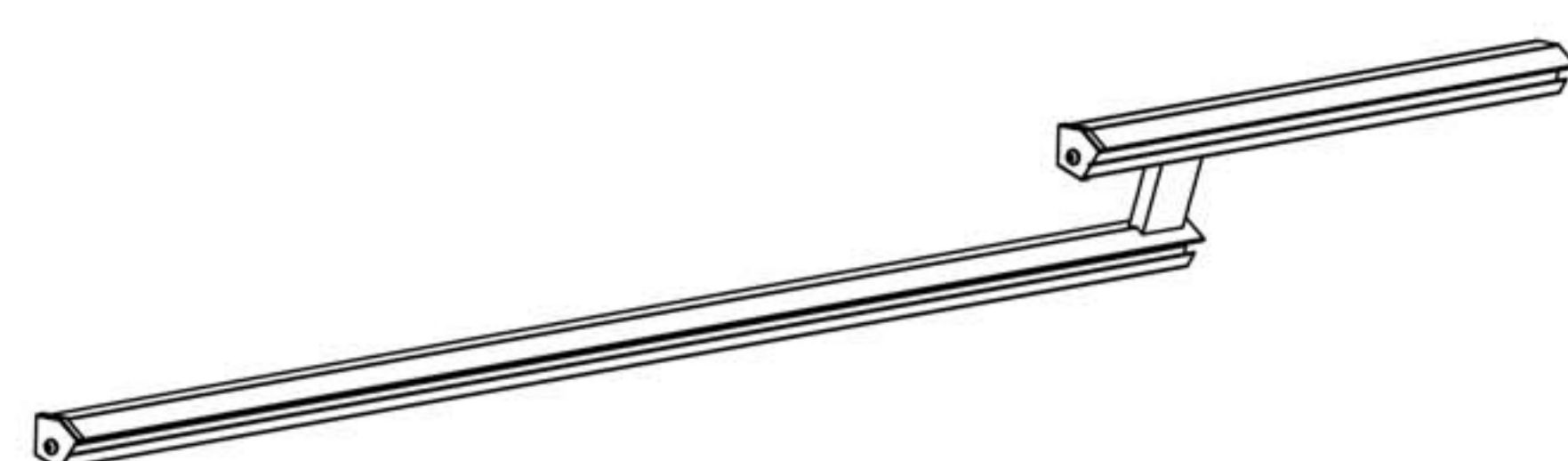


Please take care of the screws and contact the after-sales service if there is any problem with the installation or parts.



# STEP 8

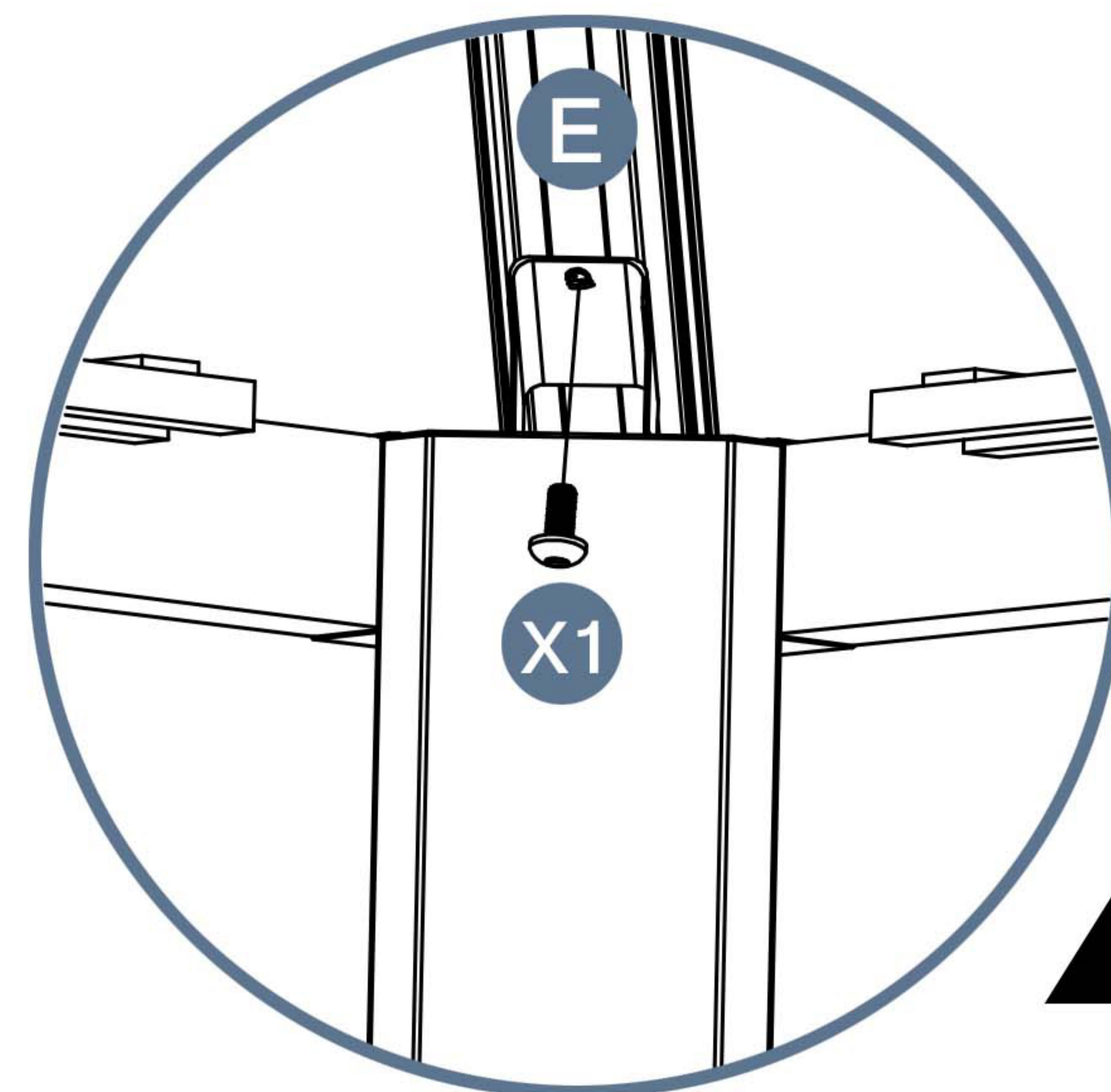
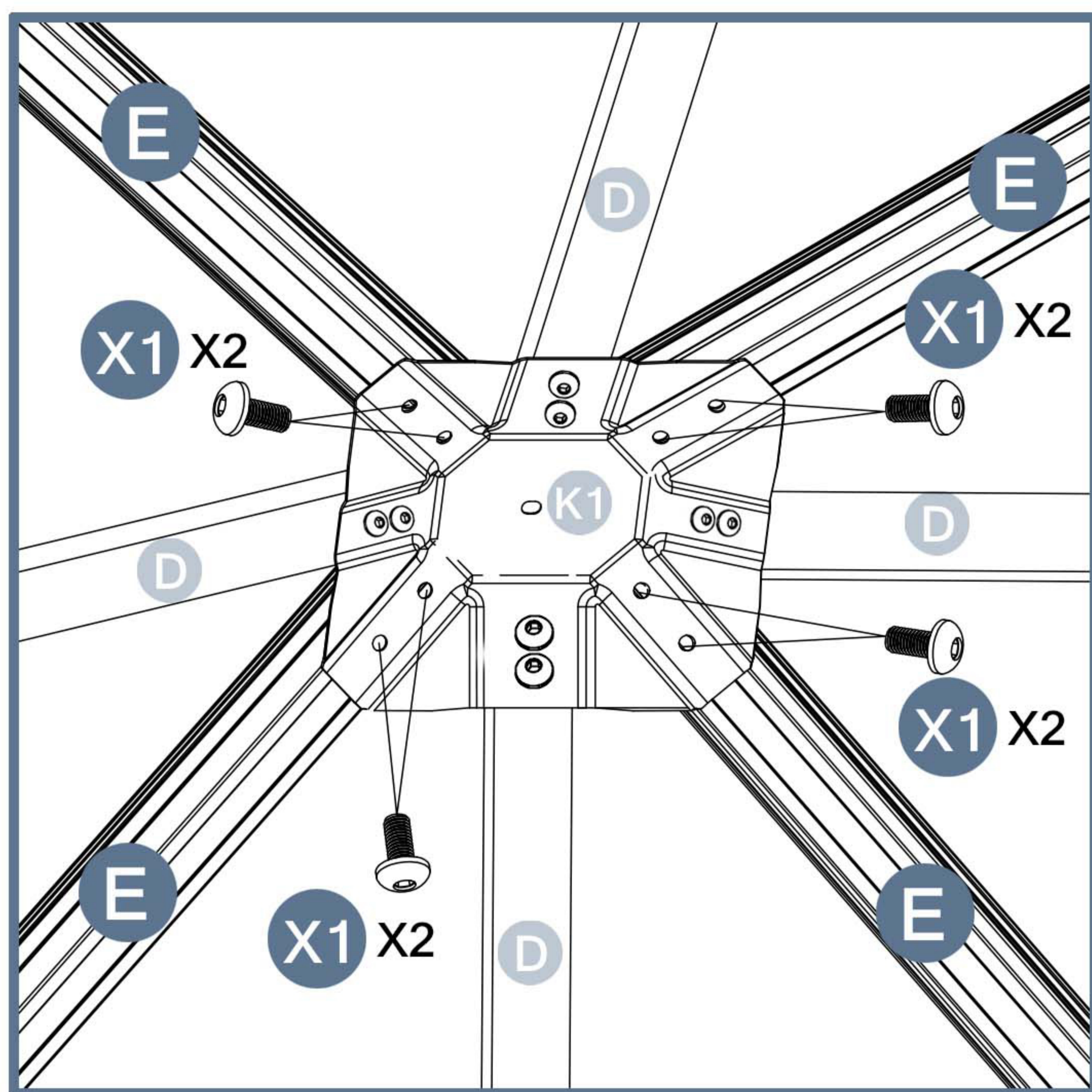
Parts required



**E** 4pcs

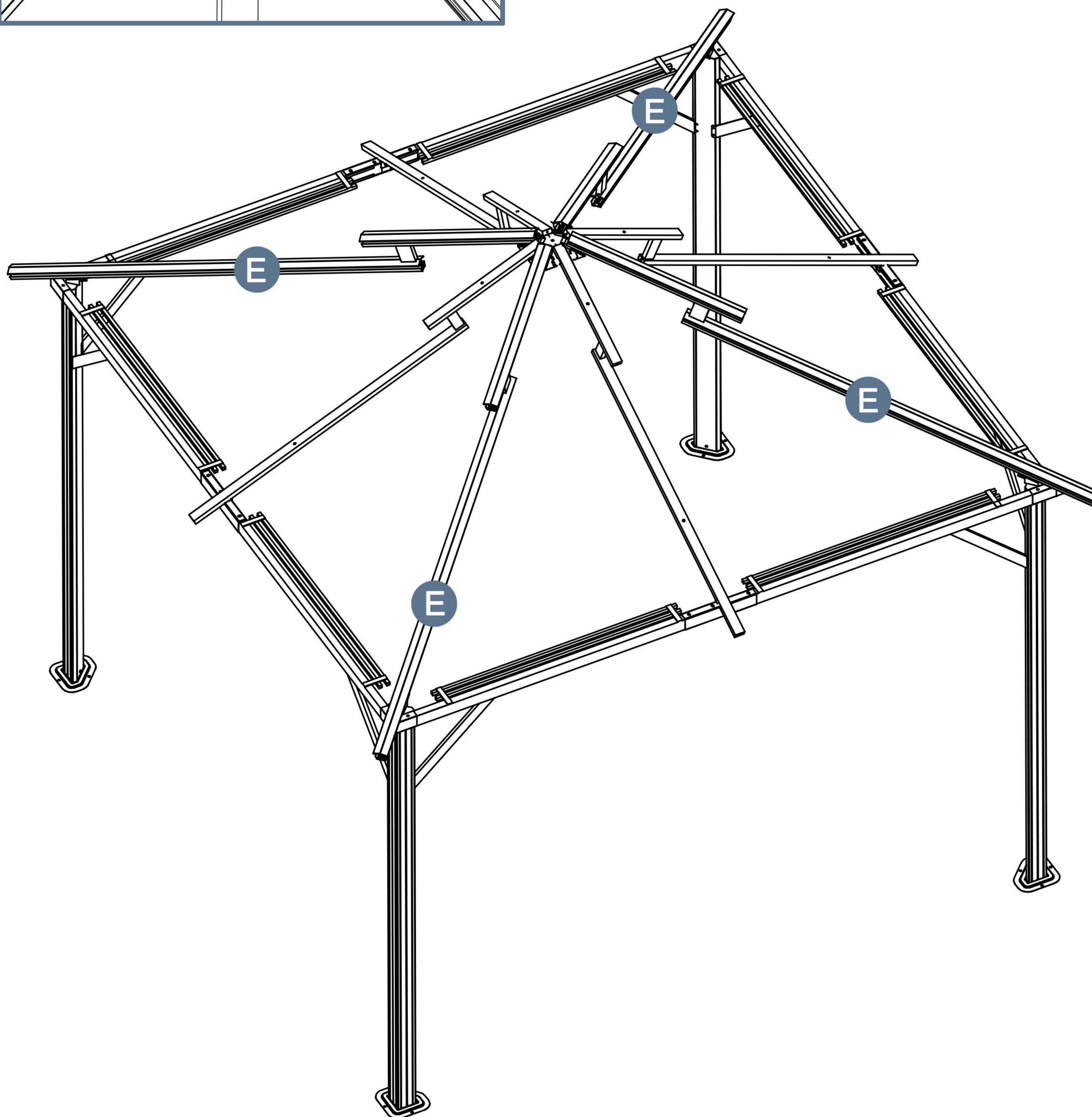


**X1** 12pcs

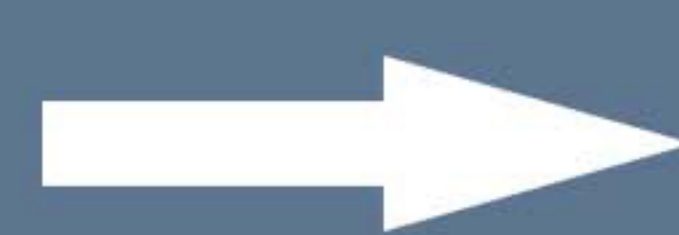


**1**

**2**



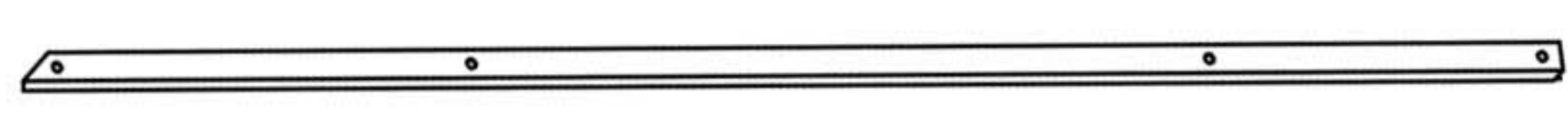
Please take care of the screws and contact the after-sales service if there is any problem with the installation or parts.



E-mail: [cs.helper01@gmail.com](mailto:cs.helper01@gmail.com)

# STEP 9

Parts required

 H2 8pcs

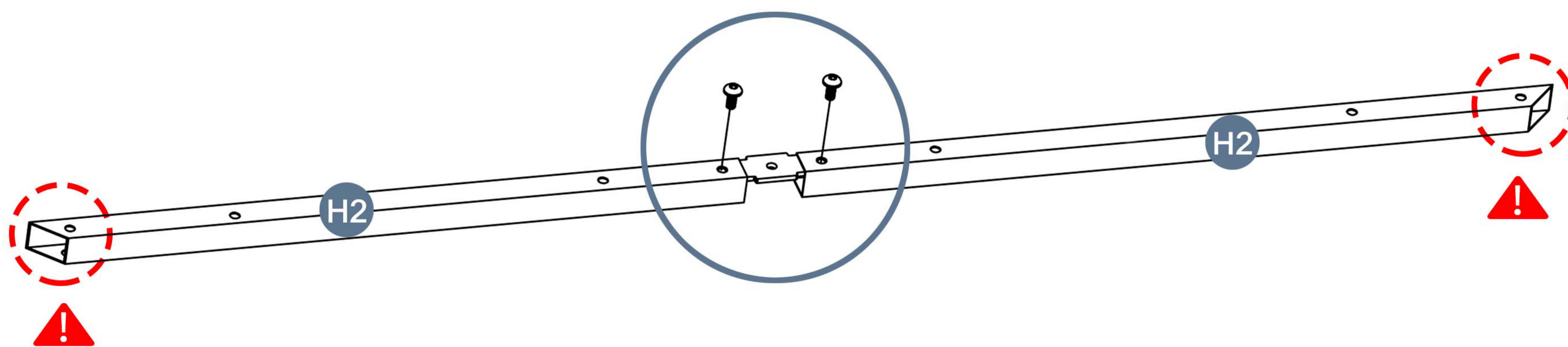


M3 4pcs

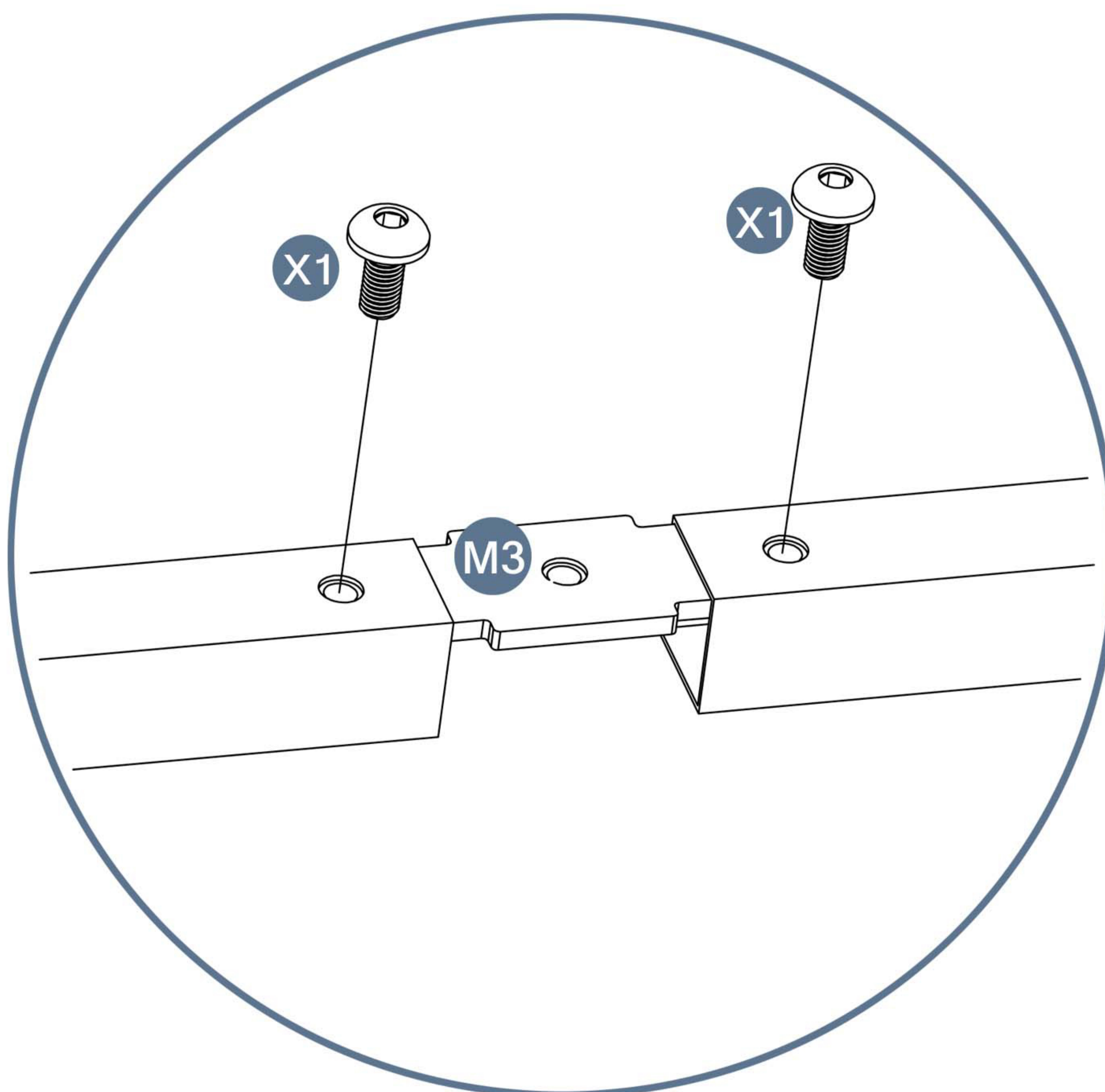


X1 8pcs

 Part H should be placed as shown in the picture.



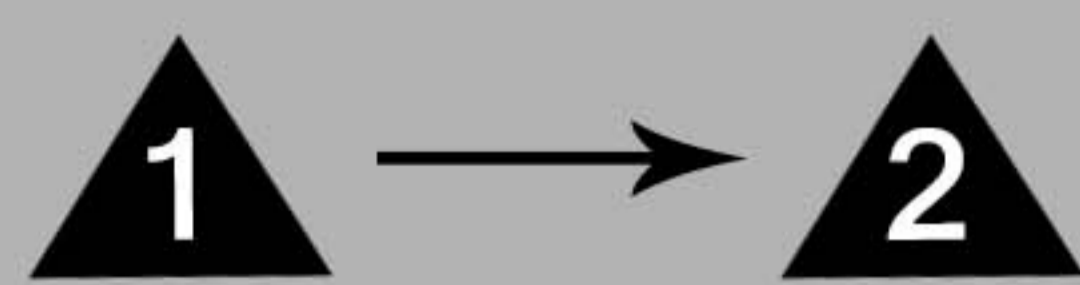
X4



Please take care of the screws and contact the after-sales service if there is any problem with the installation or parts.

# STEP 10

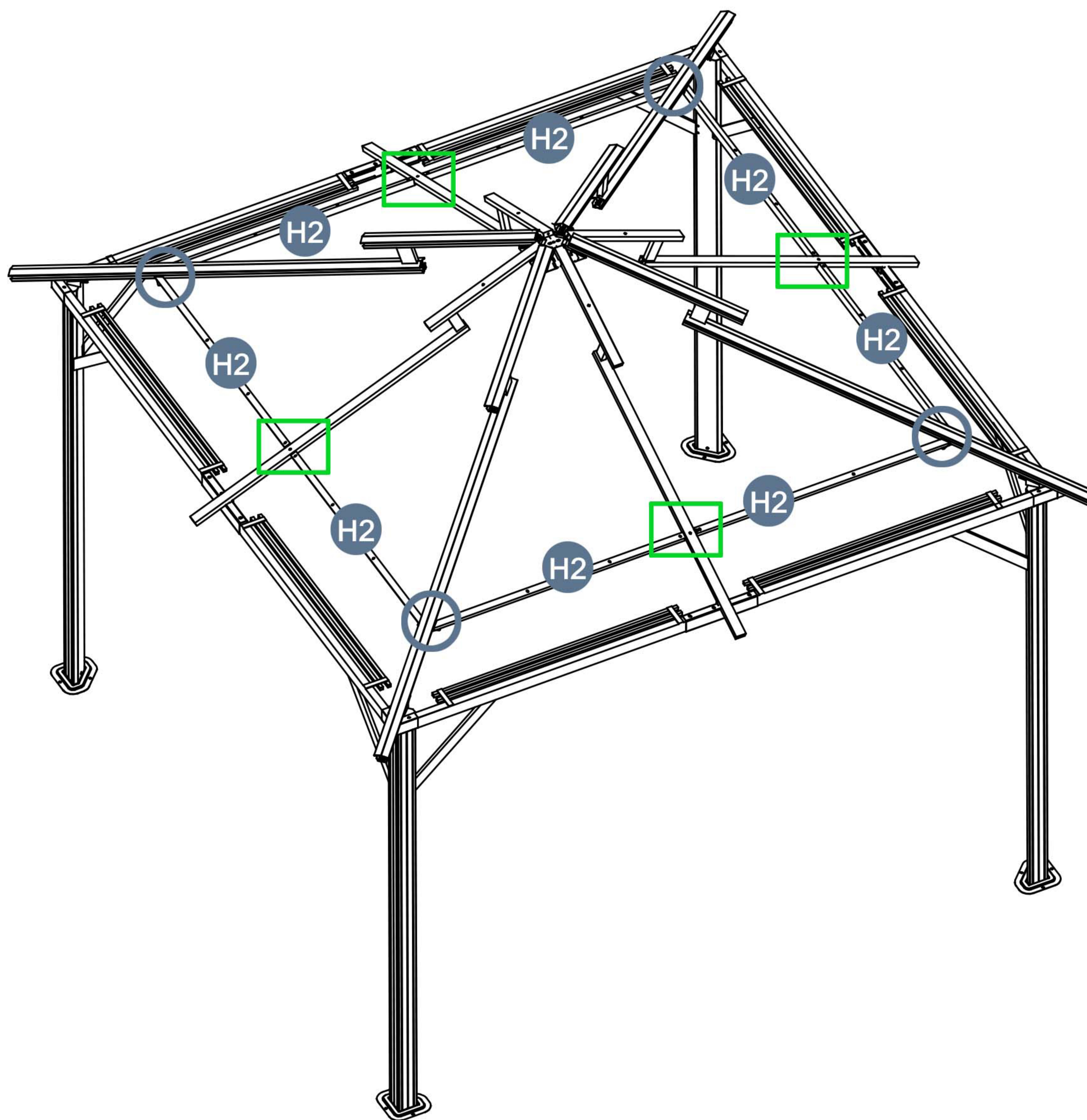
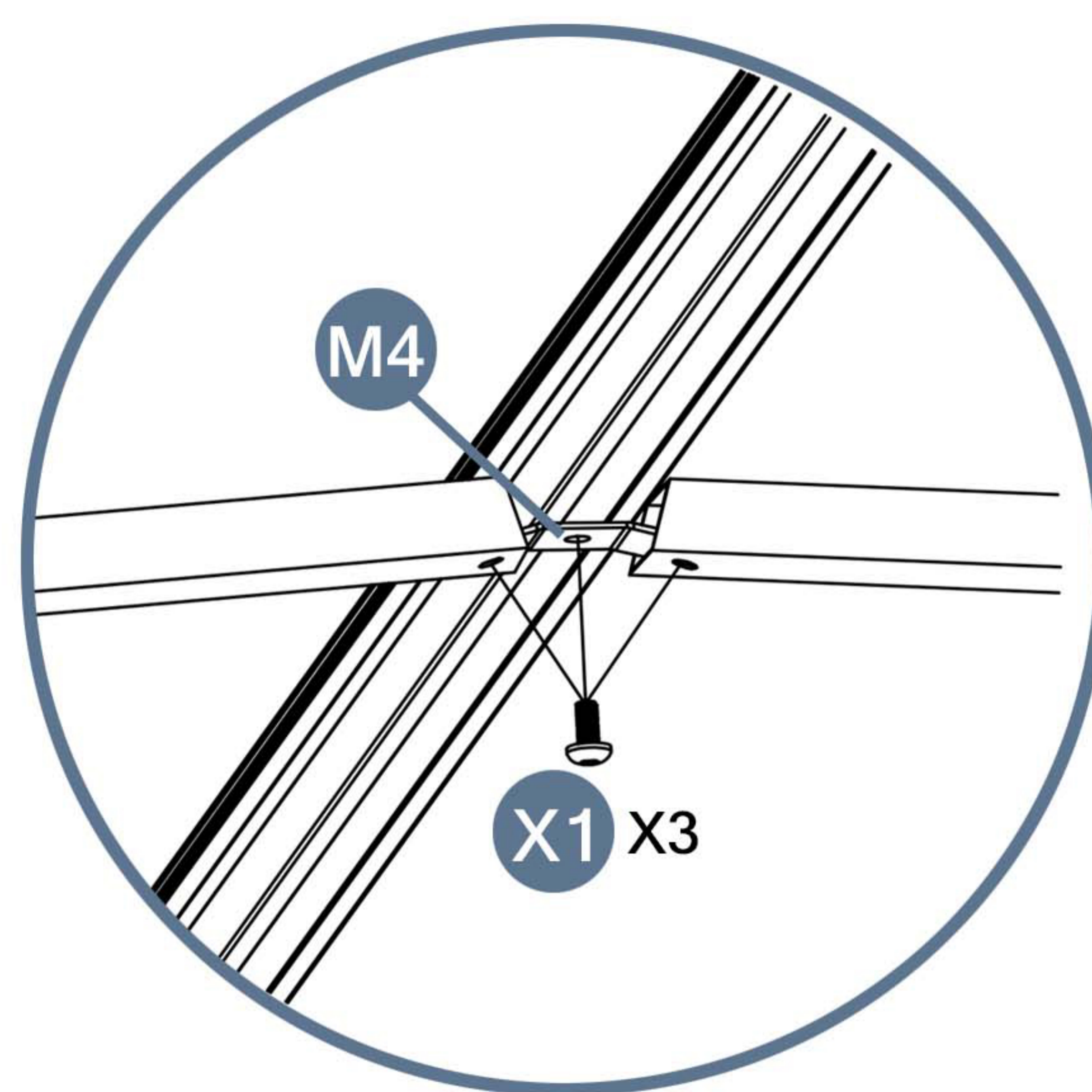
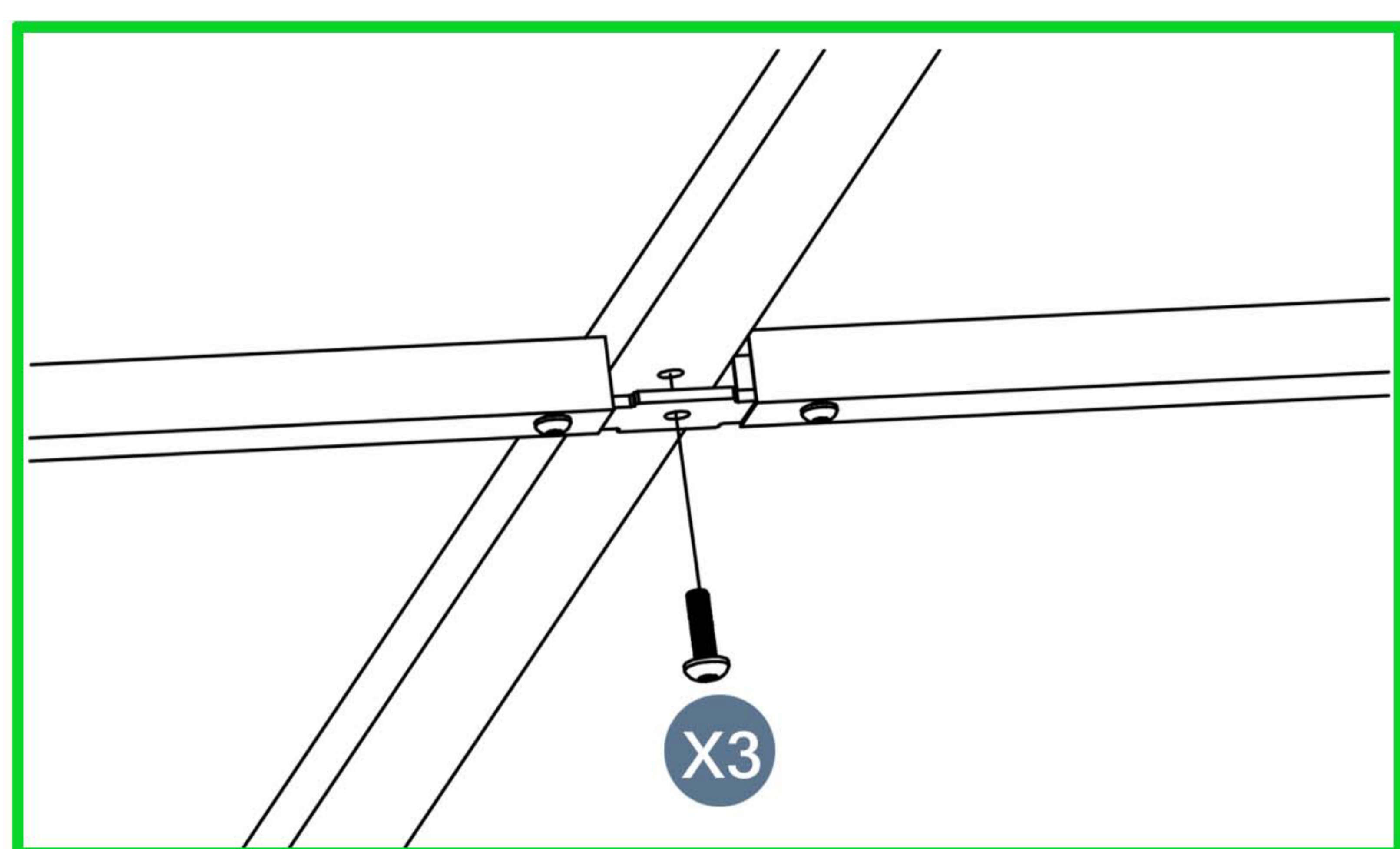
Parts required



Only X3 screws are used in this step. Please store the X3 nuts. Steps 14 and 15 will be used.  
To better align the screws for practical situations, do not fully tighten screws initially.



M4 needs to be inserted into both tubes, aligned with the holes.



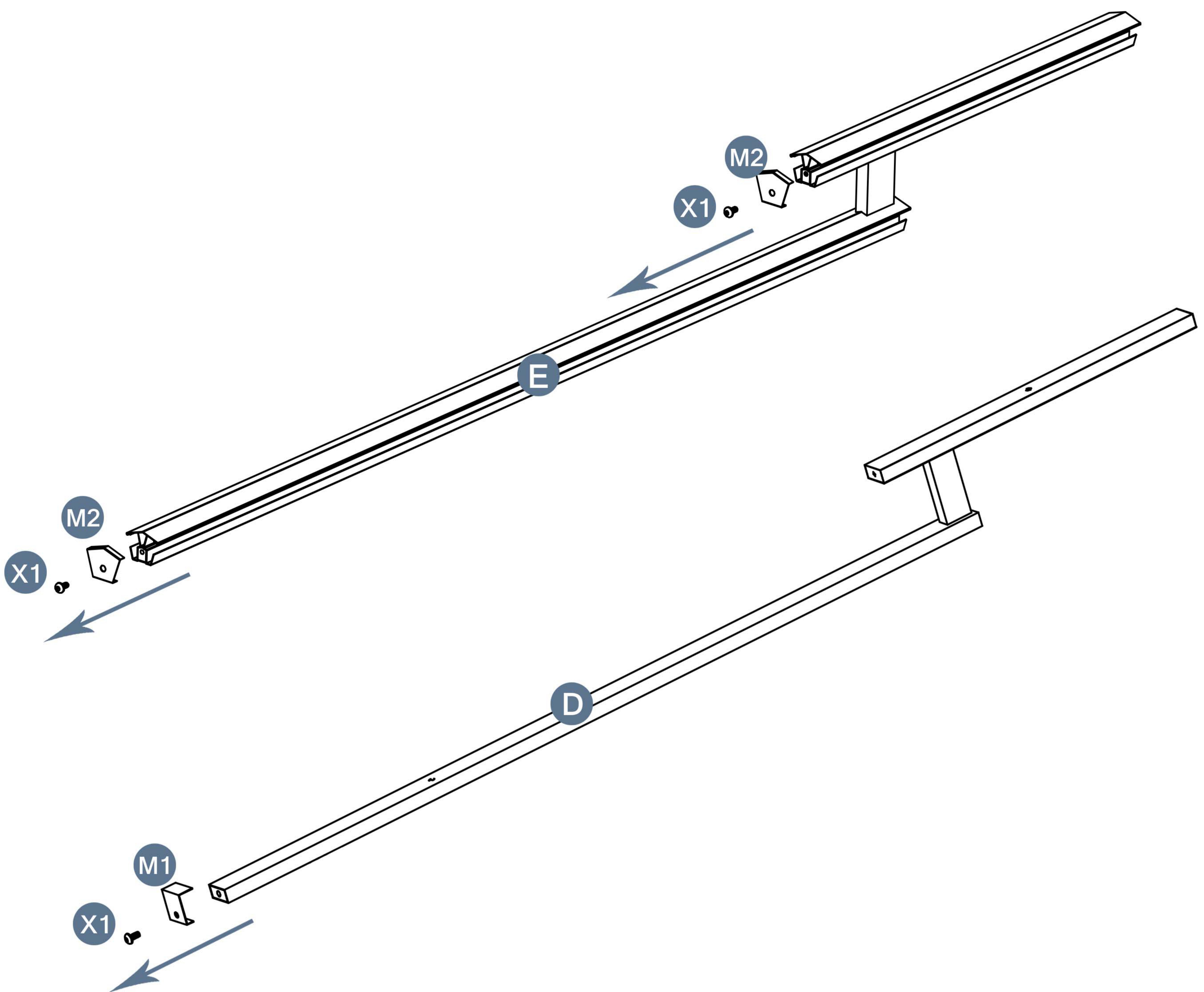
Please take care of the screws and contact the after-sales service if there is any problem with the installation or parts.



E-mail: [cs.helper01@gmail.com](mailto:cs.helper01@gmail.com)

To prevent the loss of M2 and M1  
we mounted the M2 and M1 on top of the E and D ahead of time

Before installing step 11 /step 14, please remove the 8 M2's  
and 4 M1's from the part E and D. (Reinstall them during step 13/step16) .

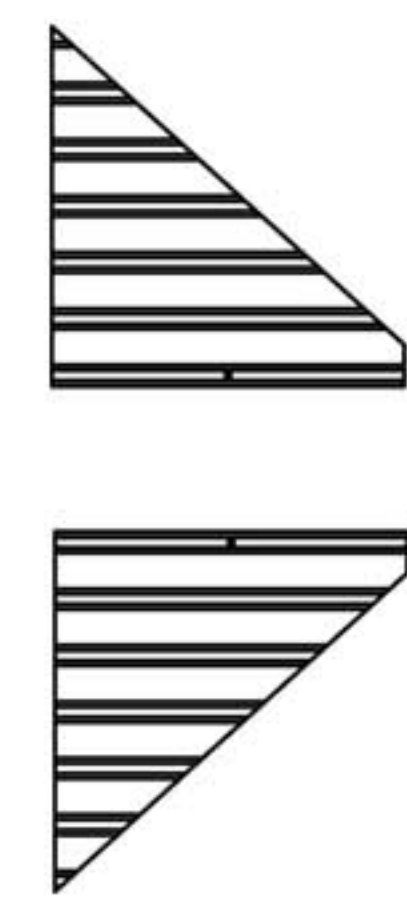


Please take care of the screws and contact the after-sales service if there is any problem with the installation or parts.

→ ✉ E-mail: [cs.helper01@gmail.com](mailto:cs.helper01@gmail.com)

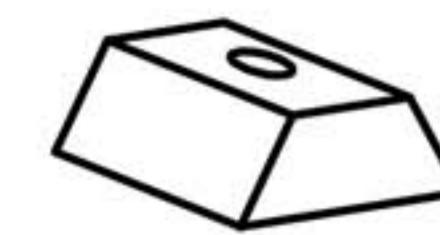
# STEP 11

Parts required



O4 4pcs

V4 4pcs



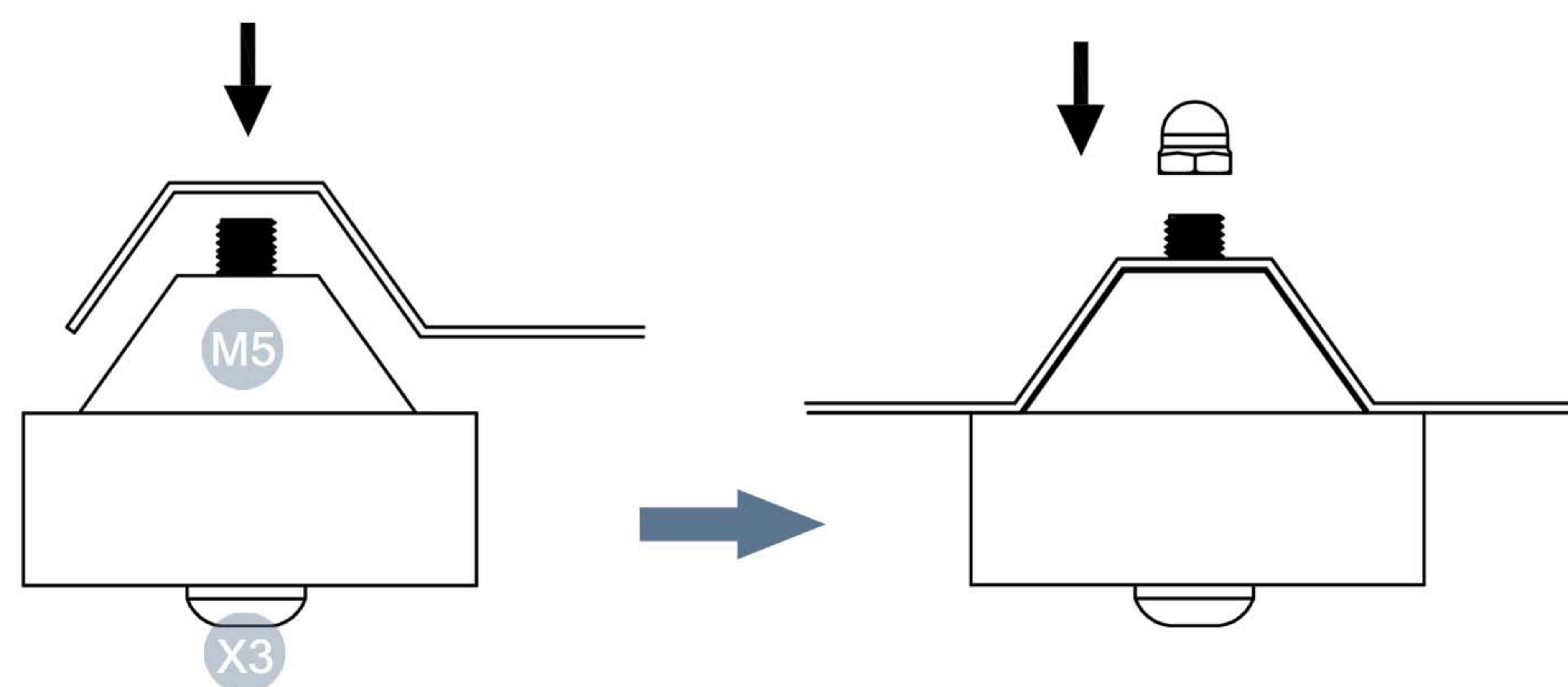
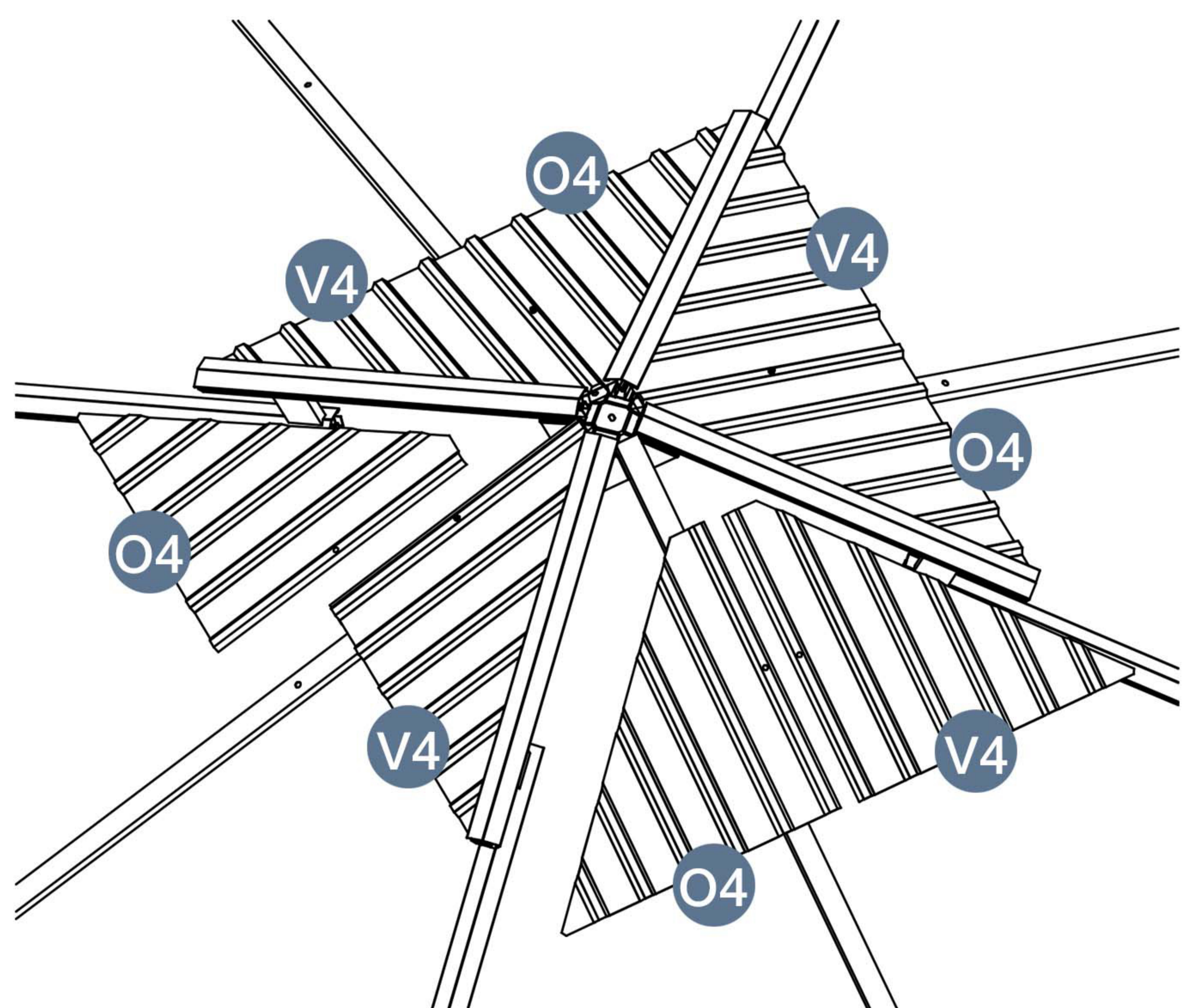
M5 4pcs



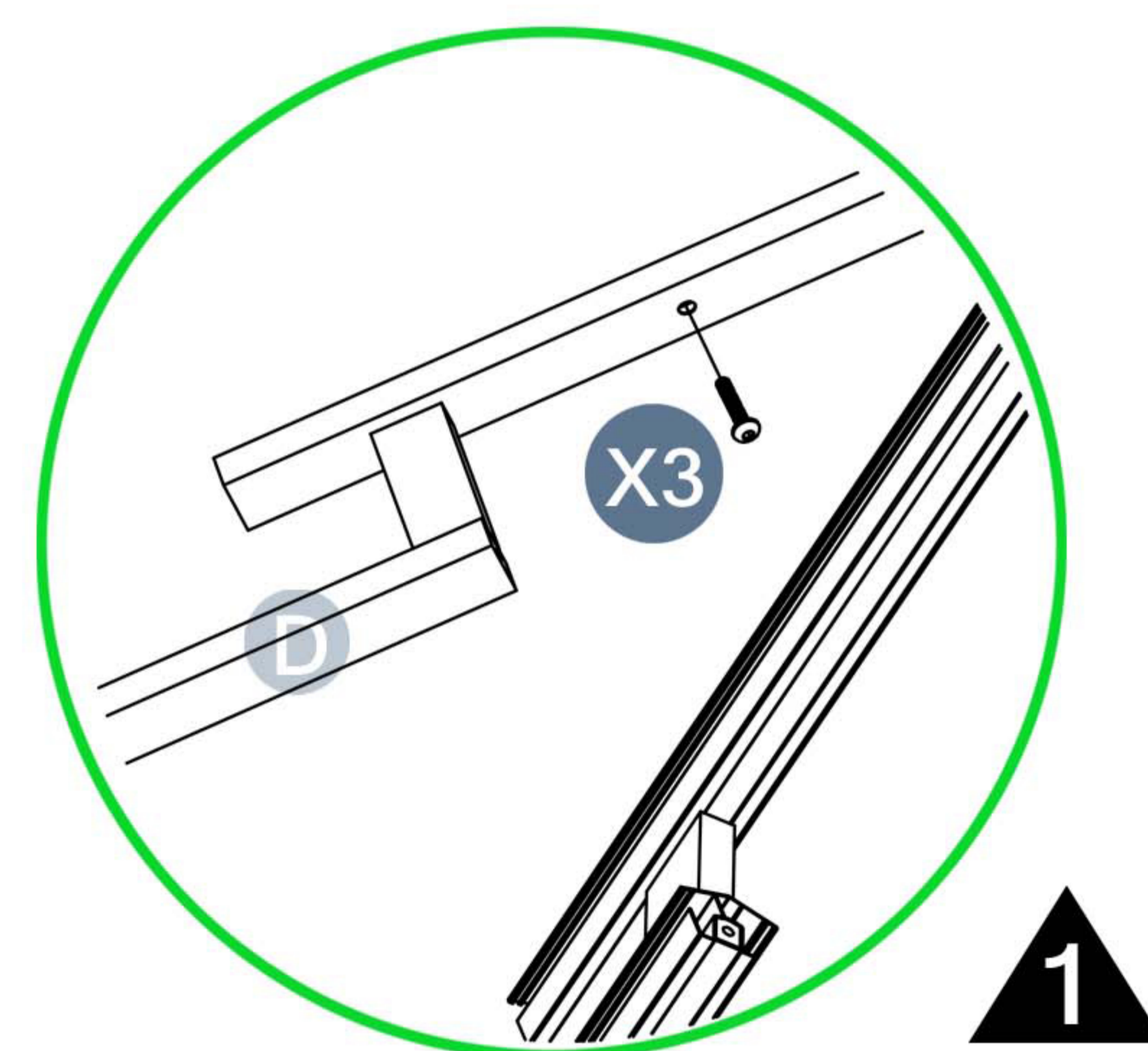
X3 4pcs



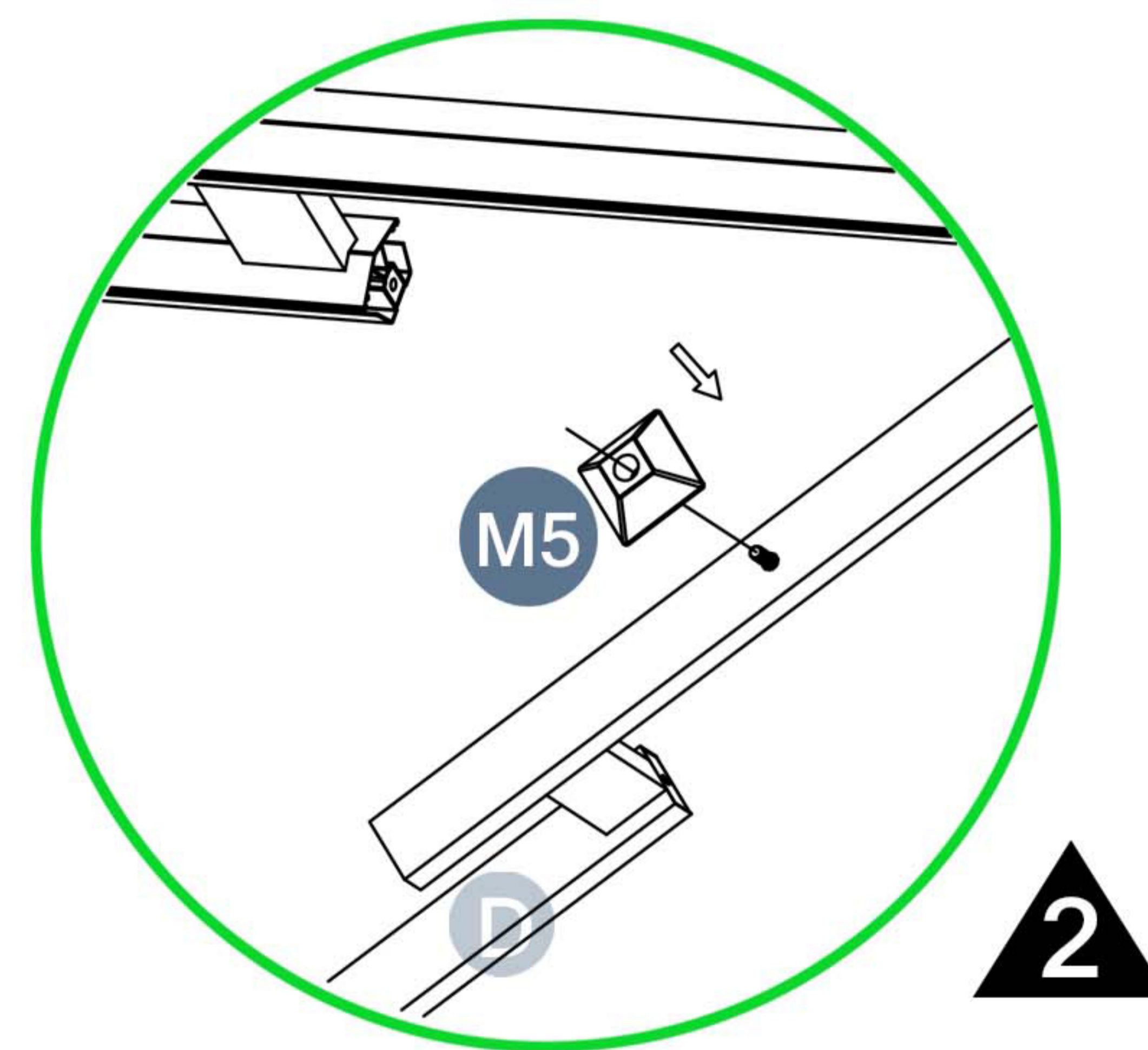
In order to facilitate the installation, it is recommended to leave one side and not install it for the time being. Wait for the installation in step 12 to complete before installing.



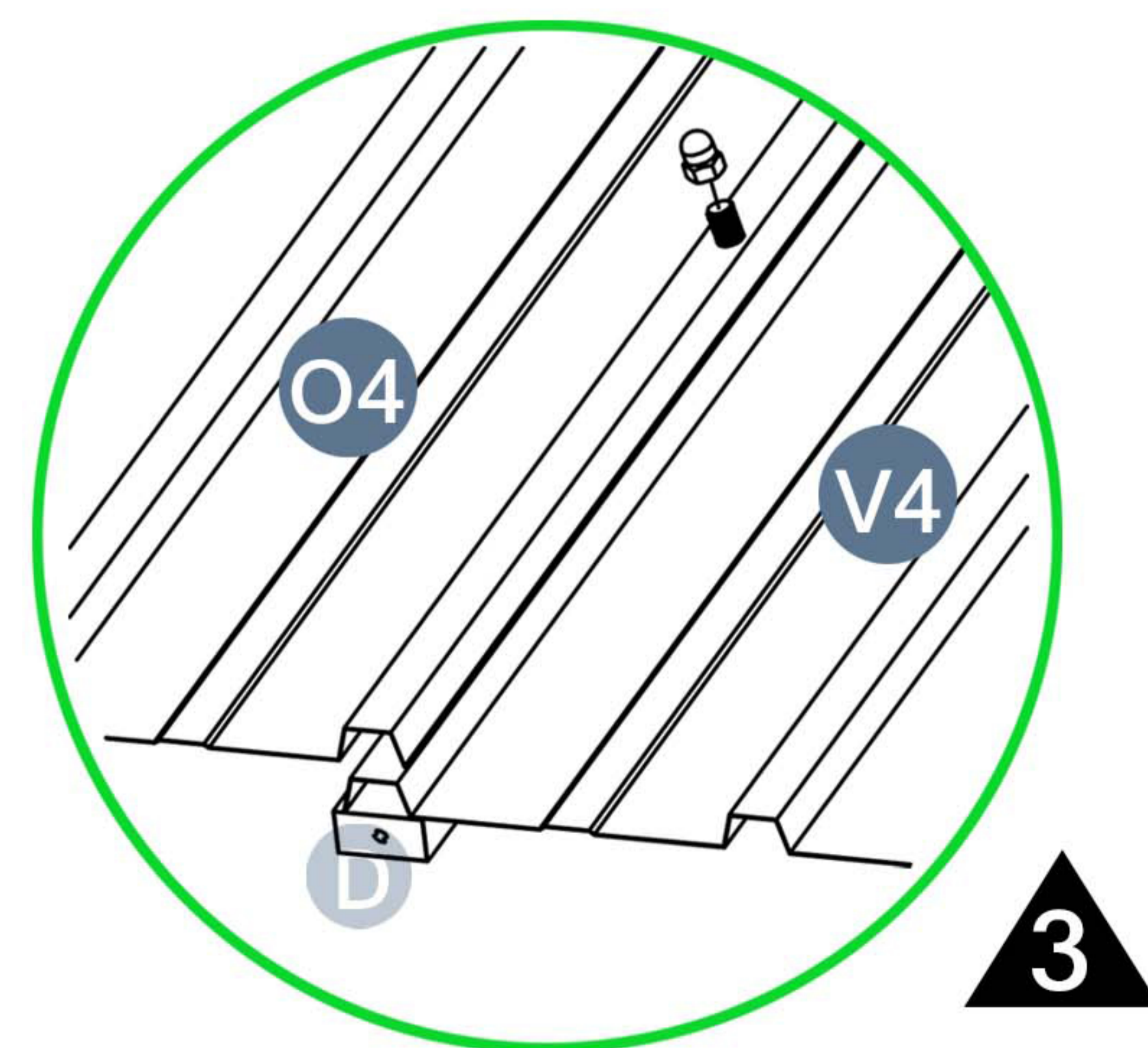
• Side view



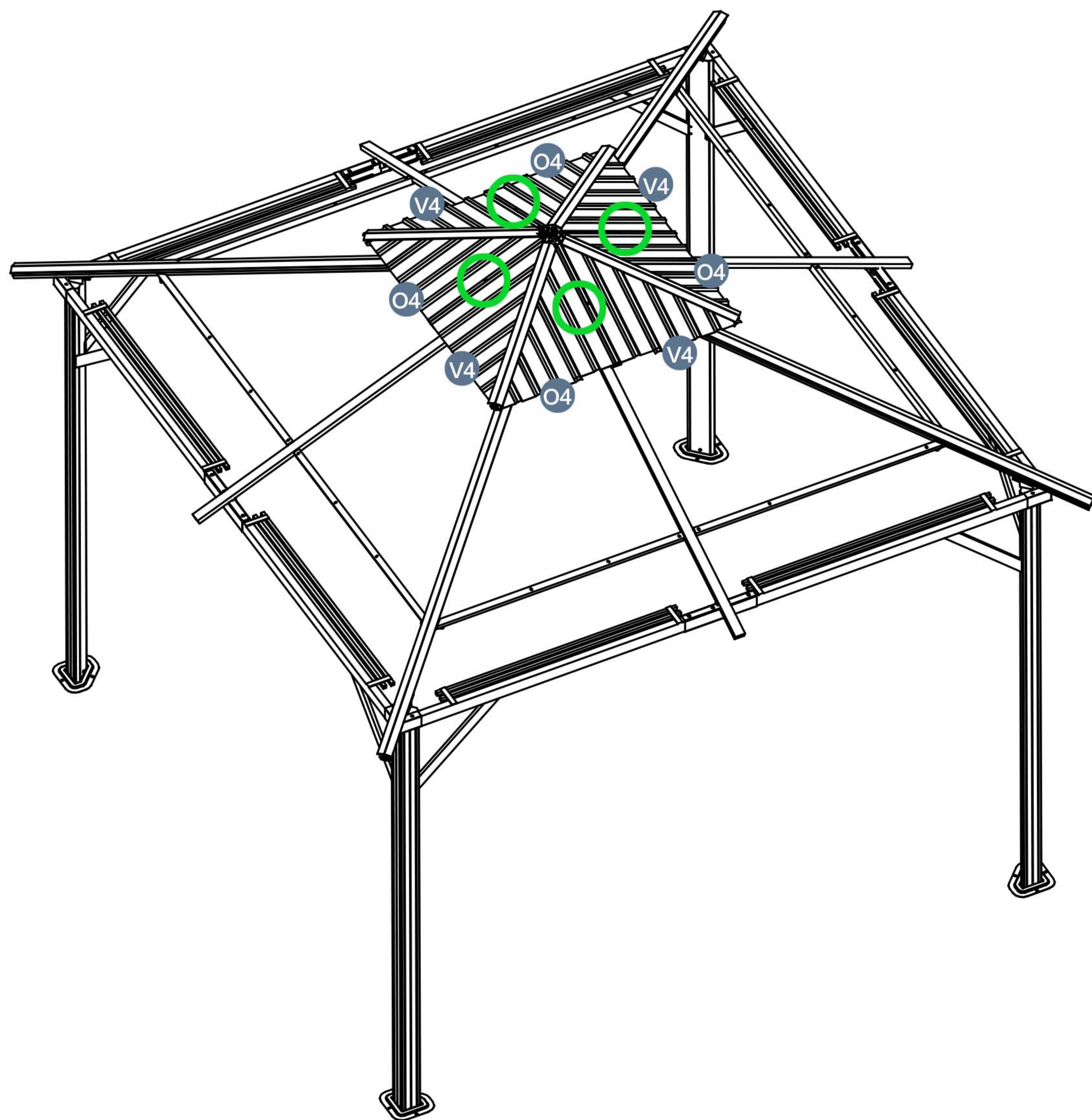
1



2



3



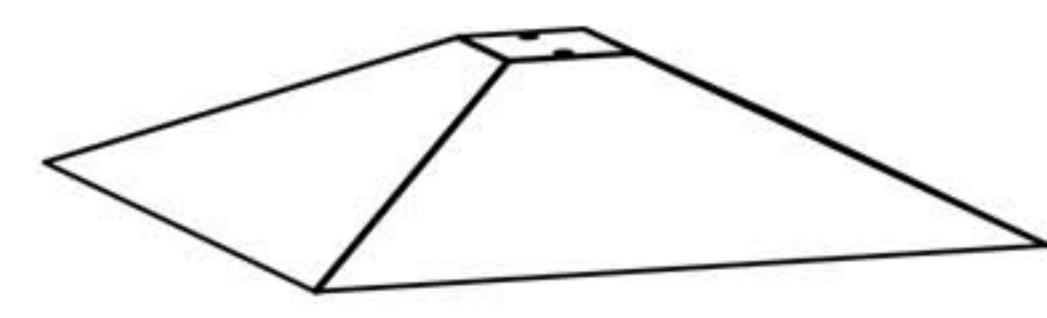
Please take care of the screws and contact the after-sales service if there is any problem with the installation or parts.



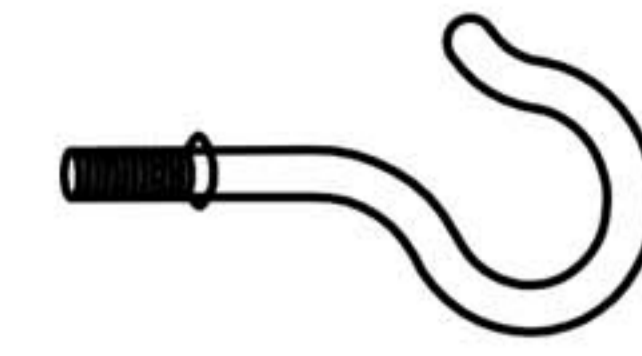
E-mail: [cs.helper01@gmail.com](mailto:cs.helper01@gmail.com)

# STEP 12

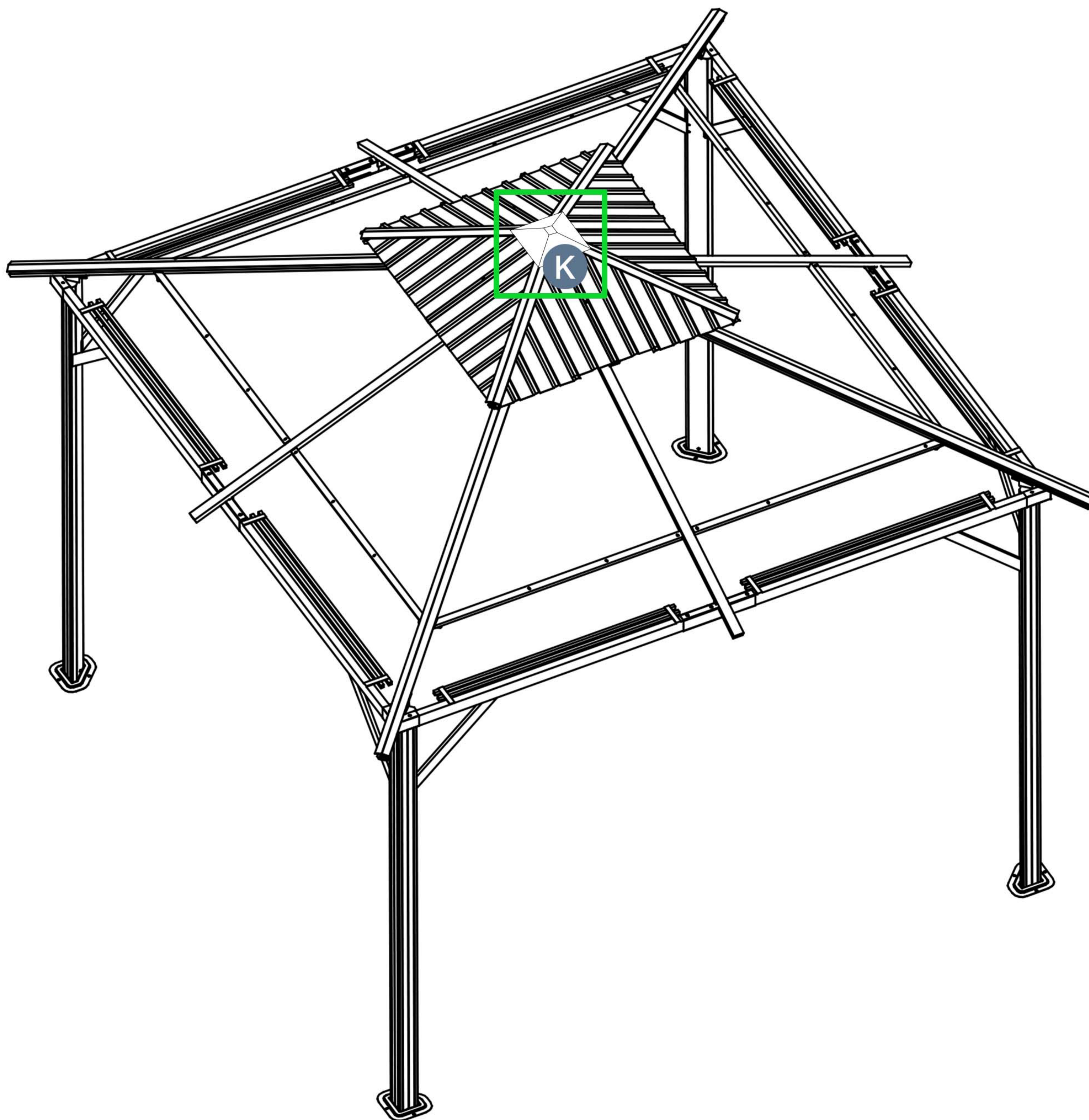
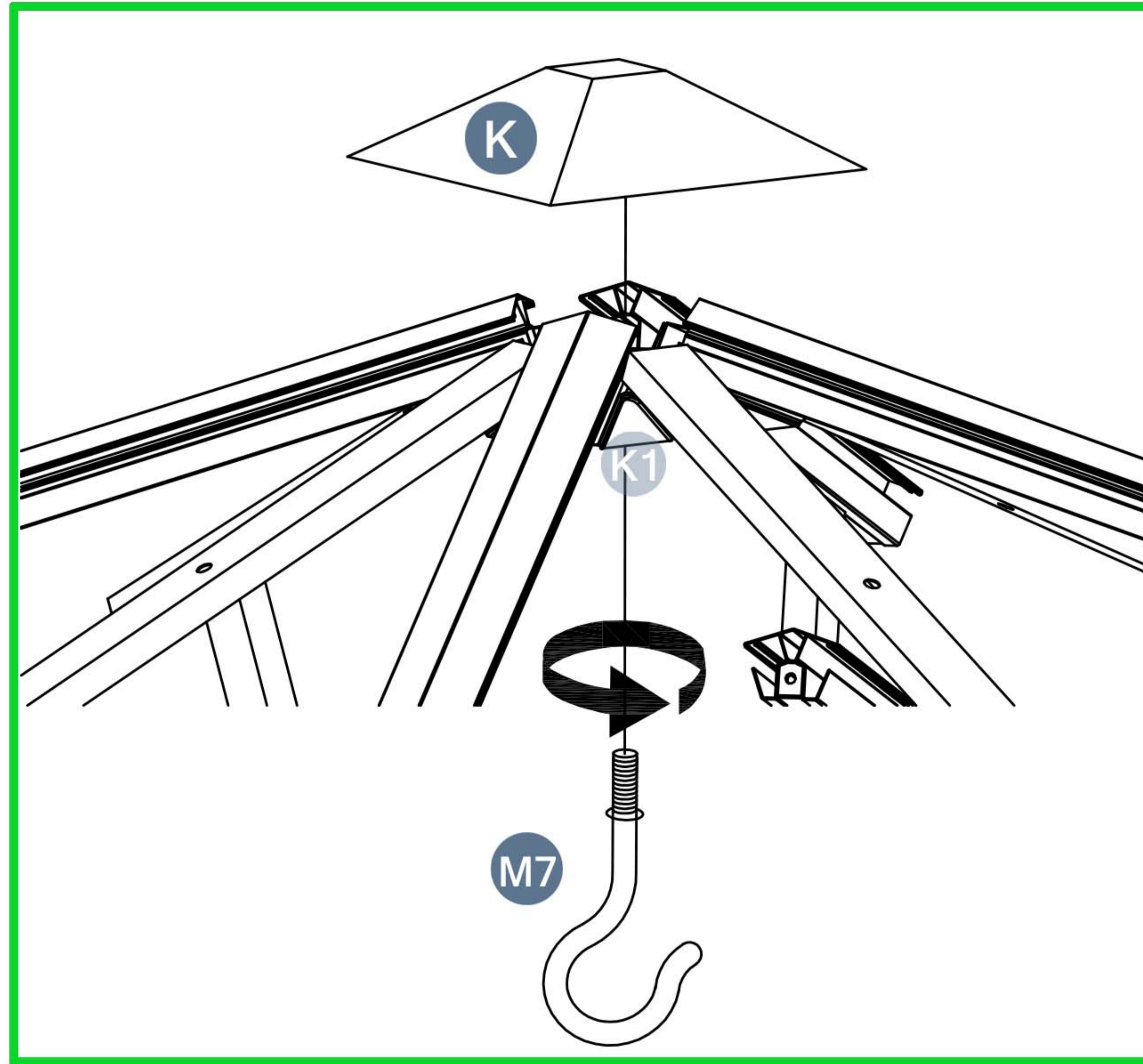
Parts required



**K** 1pcs



**M7** 1pcs



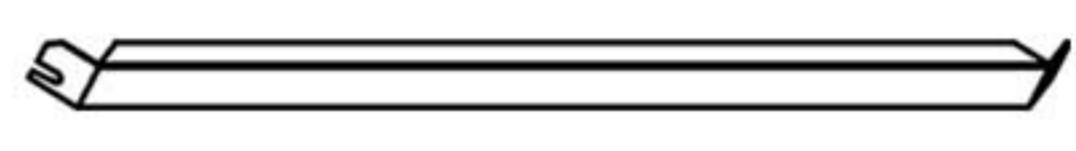
Please take care of the screws and contact the after-sales service if there is any problem with the installation or parts.



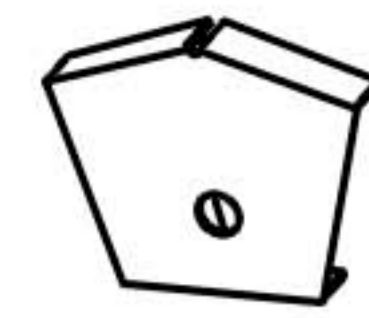
E-mail: [cs.helper01@gmail.com](mailto:cs.helper01@gmail.com)

# STEP 13

Parts required



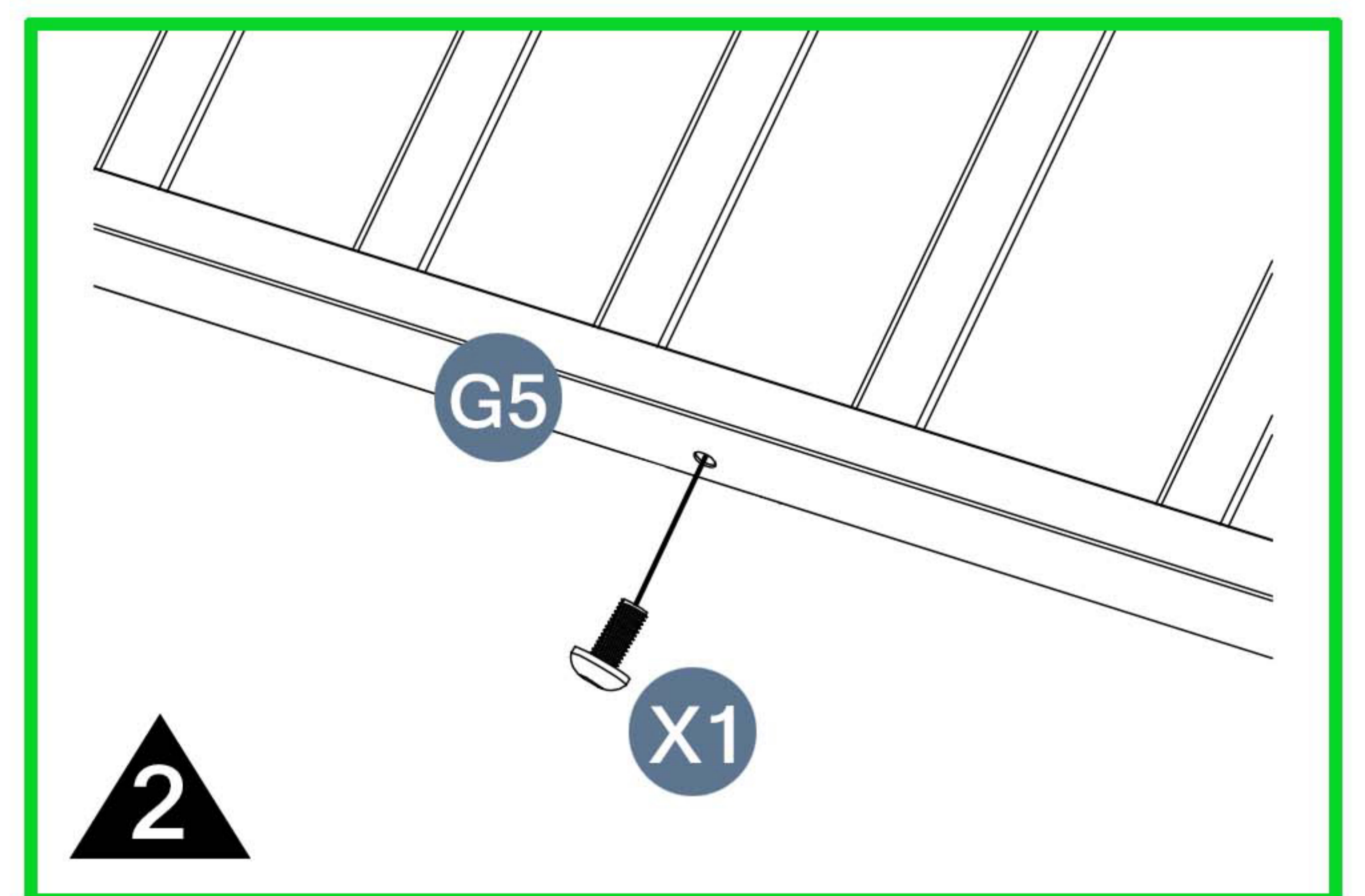
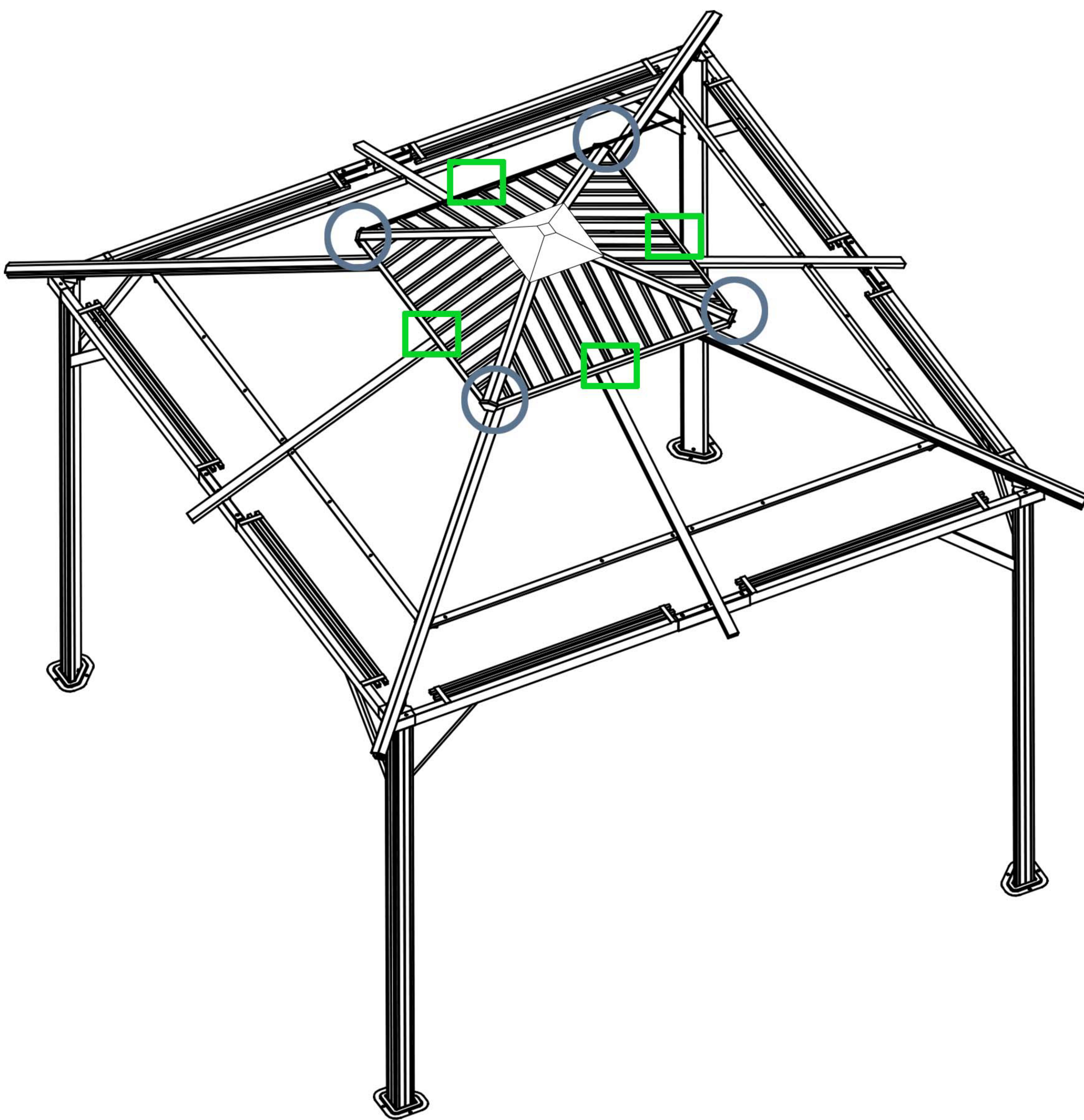
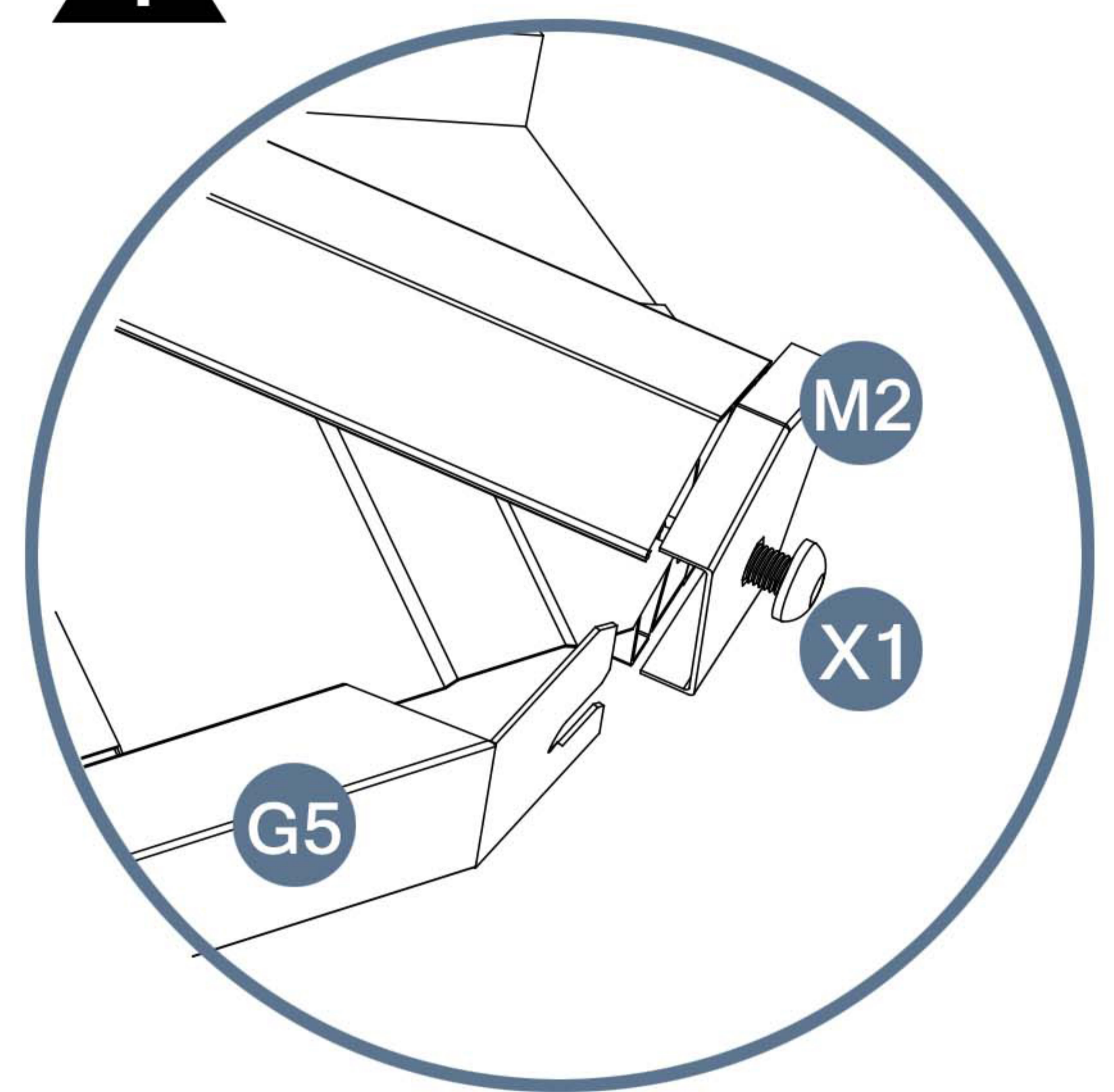
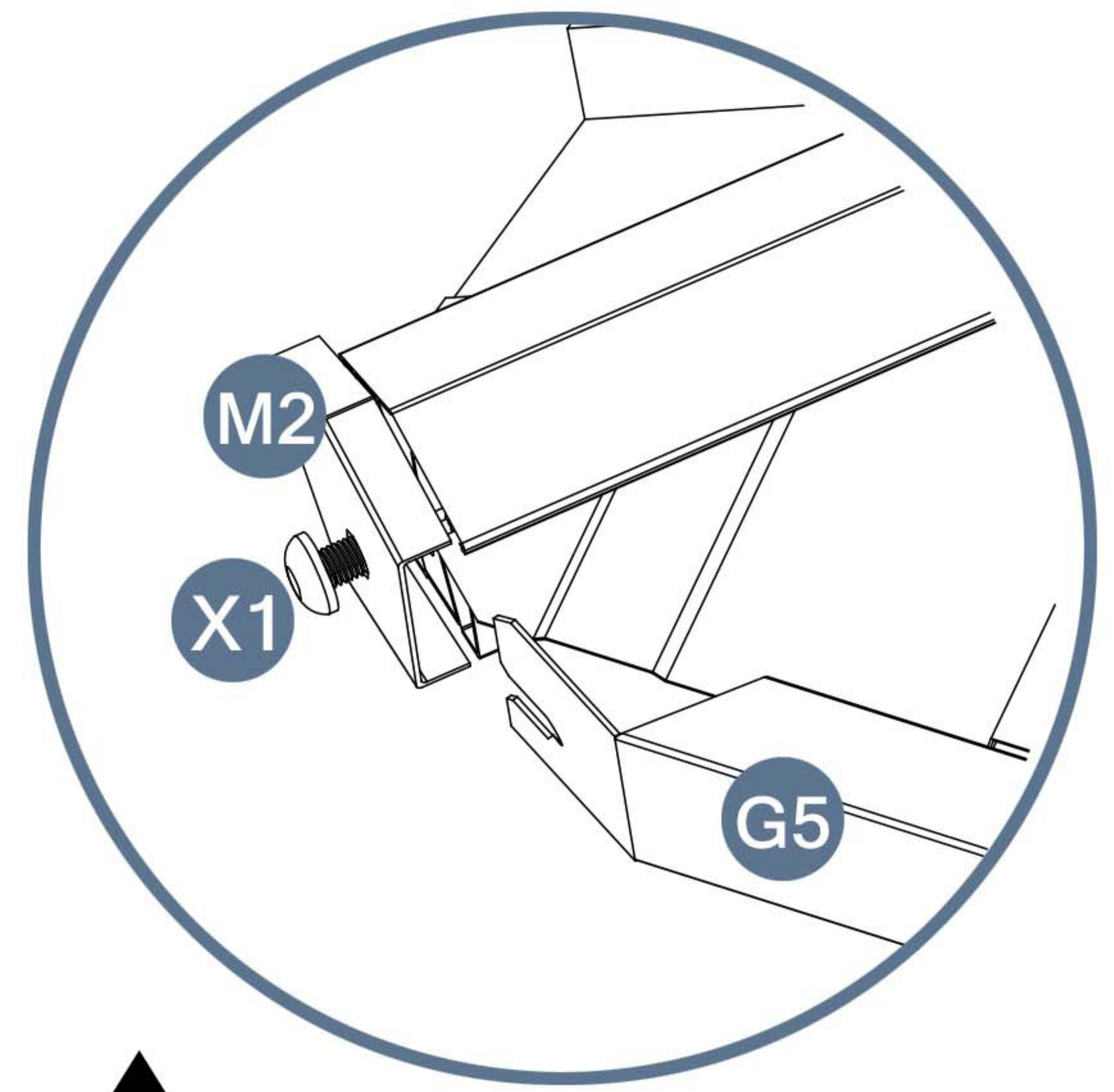
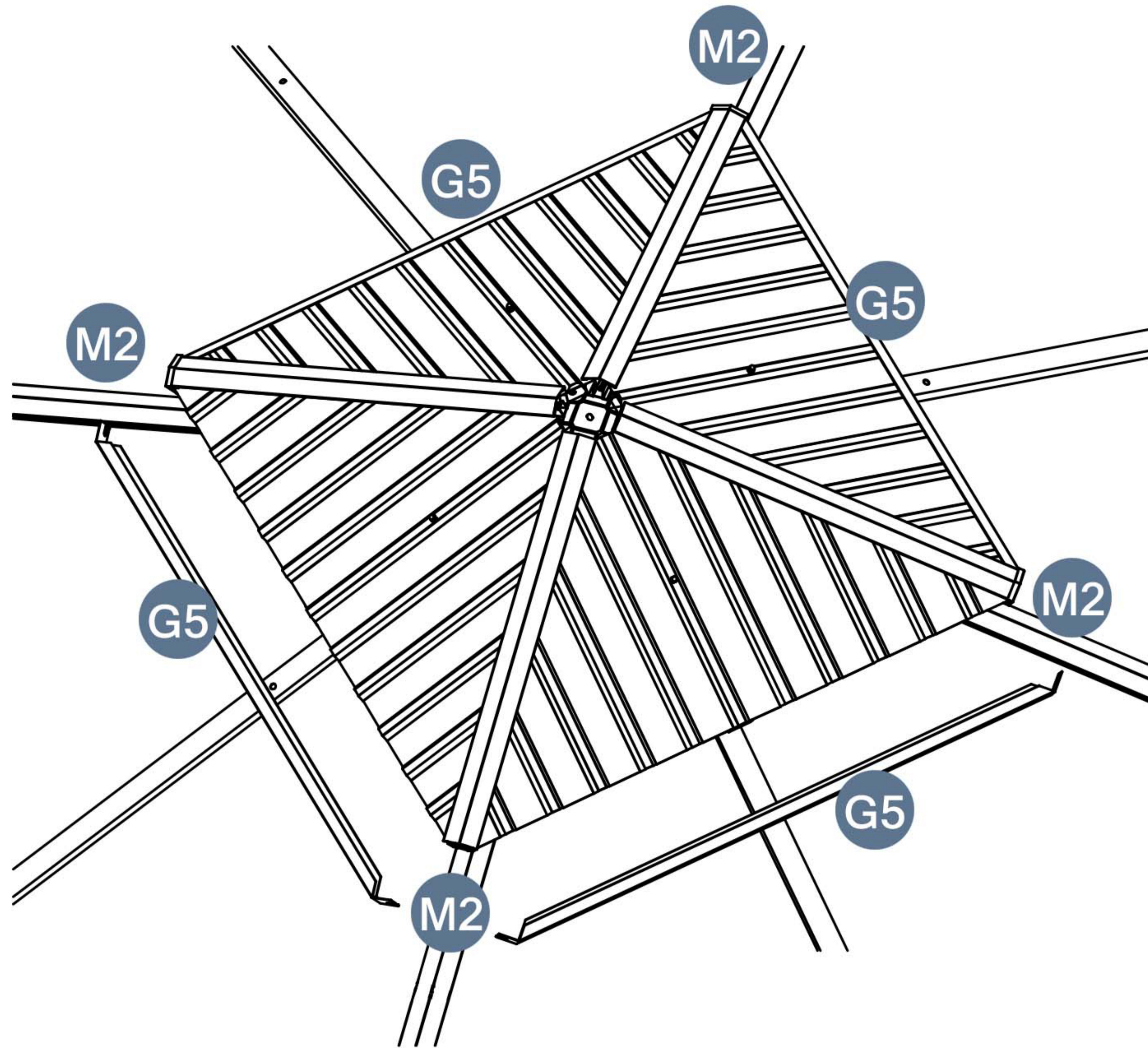
G5 4pcs



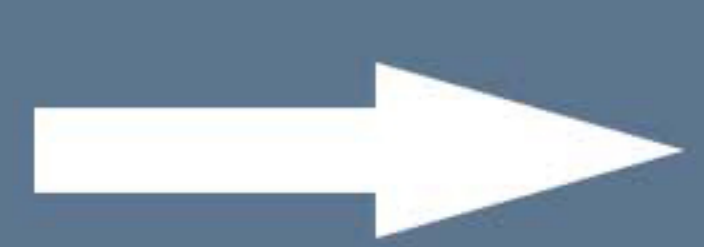
M2 4pcs



X1 8pcs



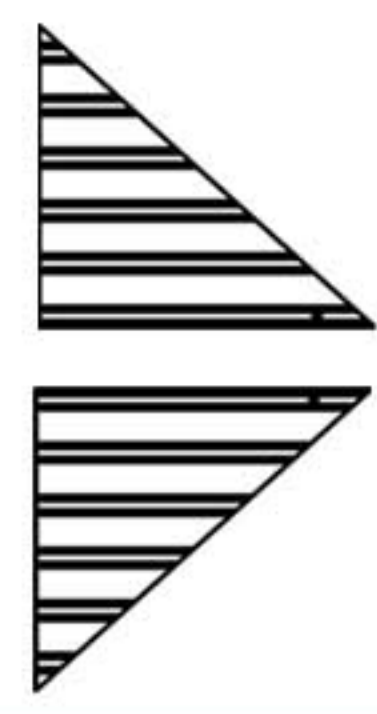
Please take care of the screws and contact the after-sales service if there is any problem with the installation or parts.



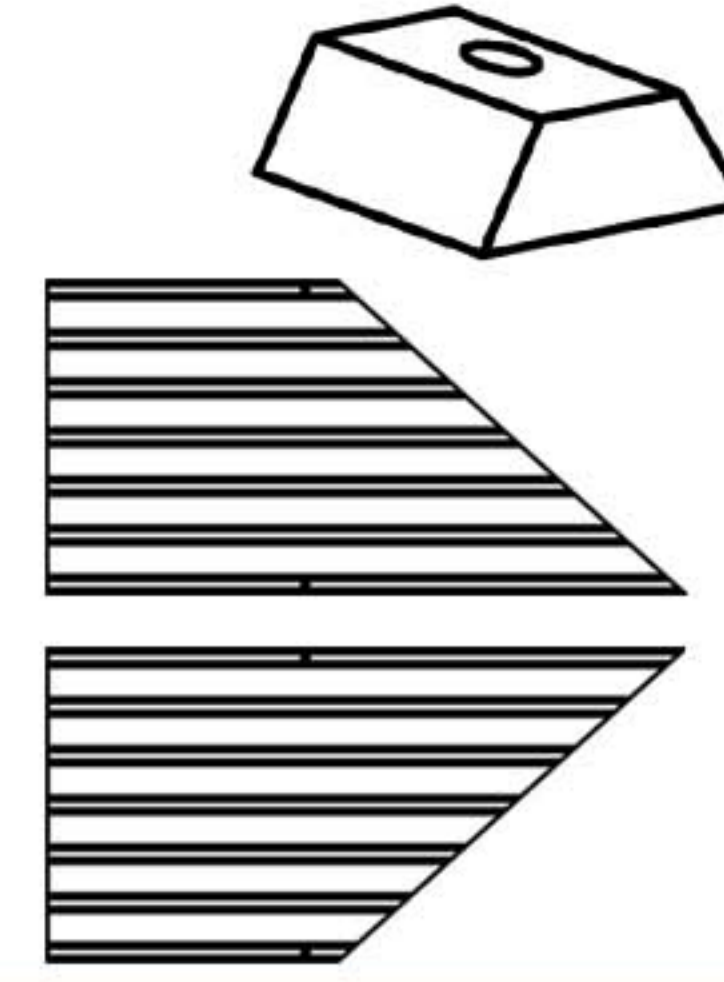
E-mail: [cs.helper01@gmail.com](mailto:cs.helper01@gmail.com)

# STEP 14

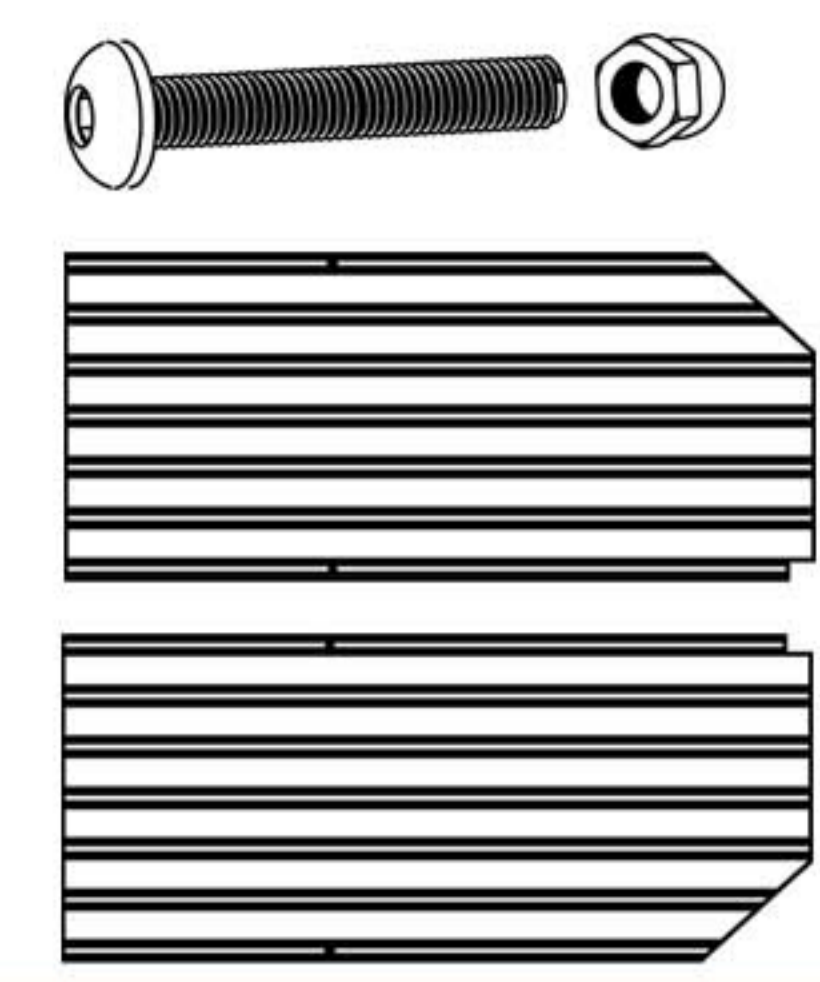
Parts required



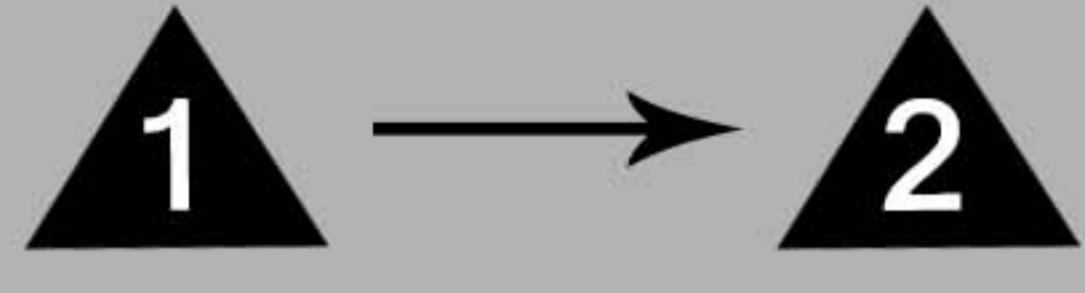
O1 2pcs  
V1 2pcs



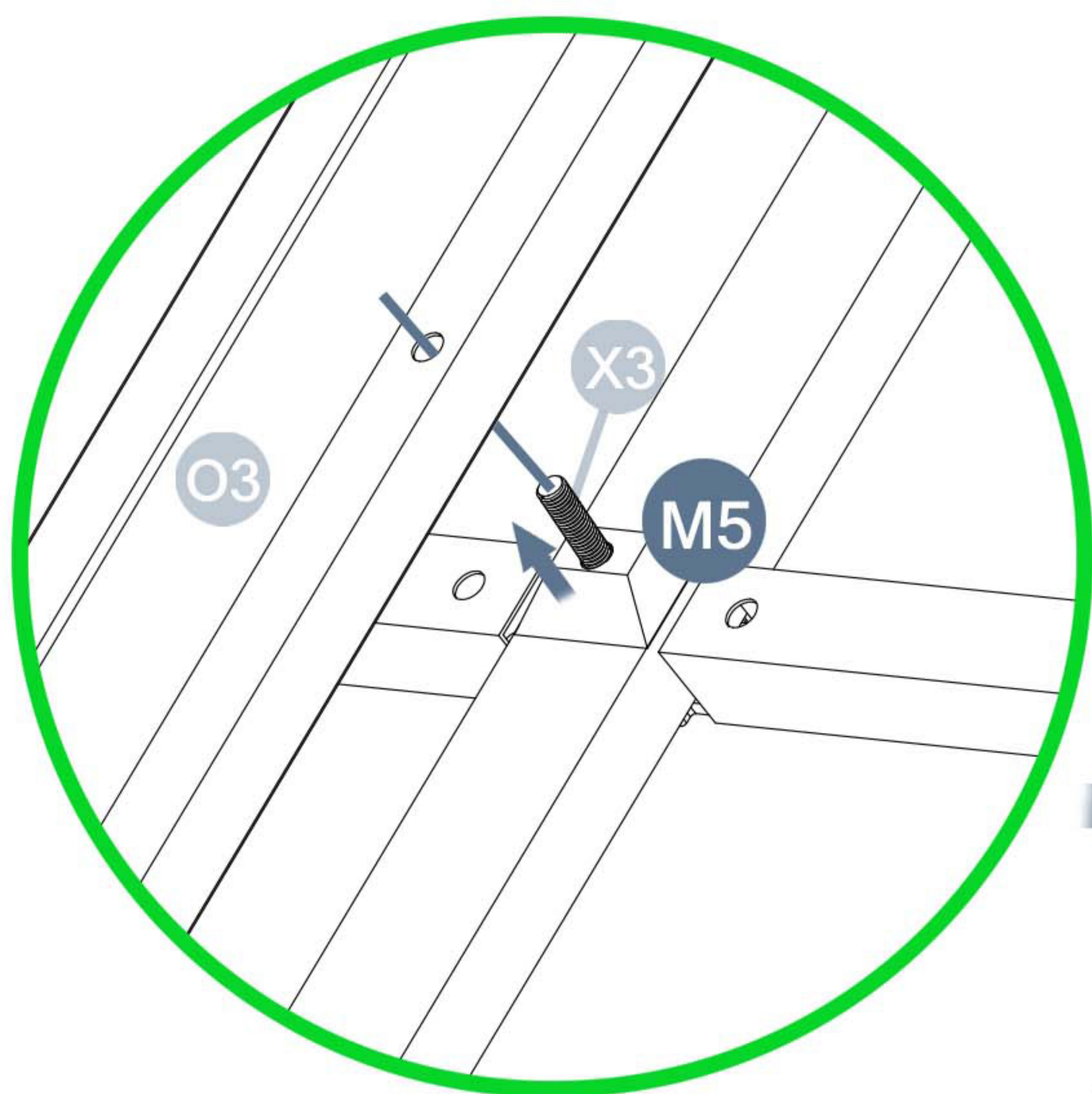
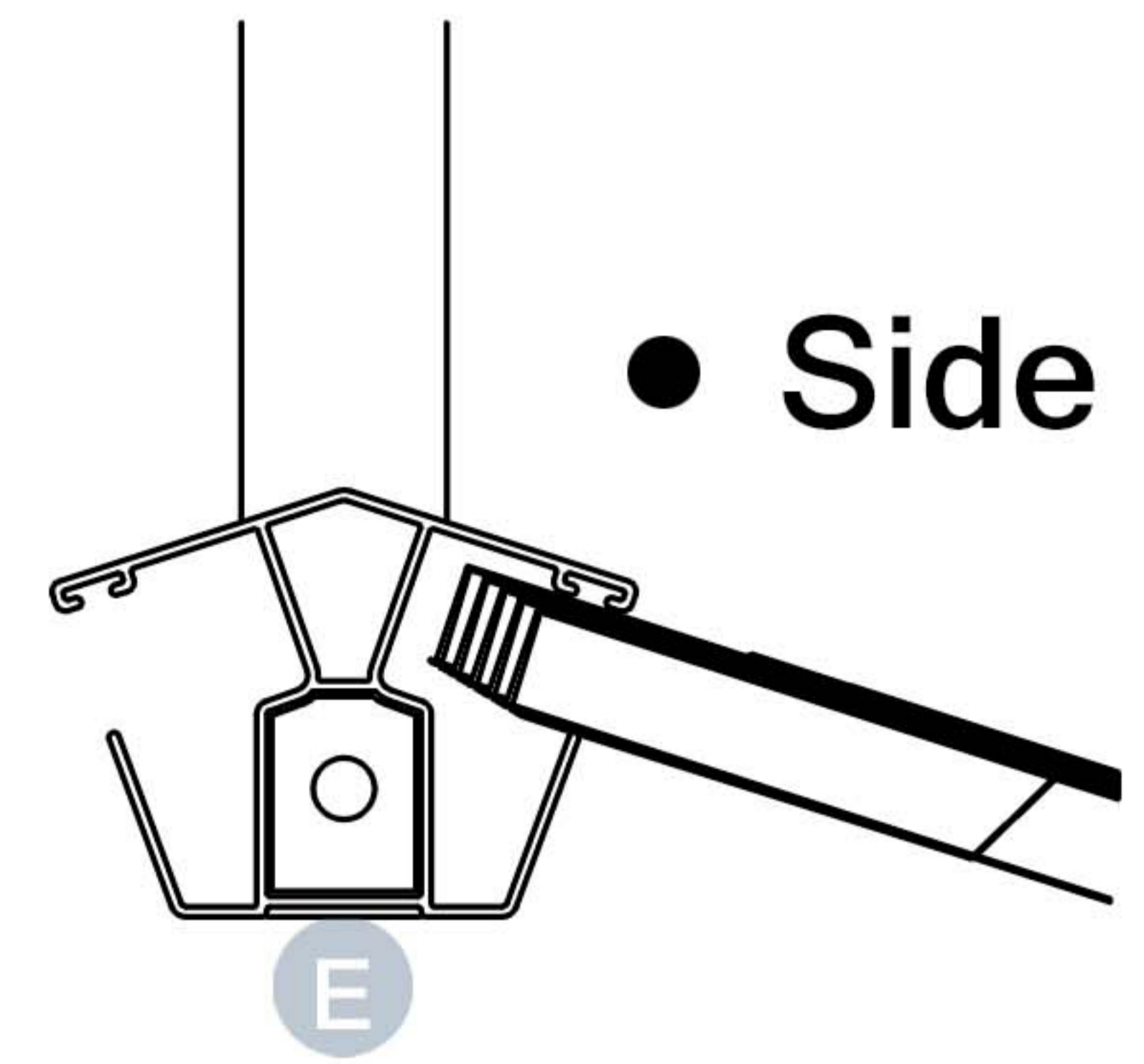
M5 10pcs  
O2 2pcs  
V2 2pcs



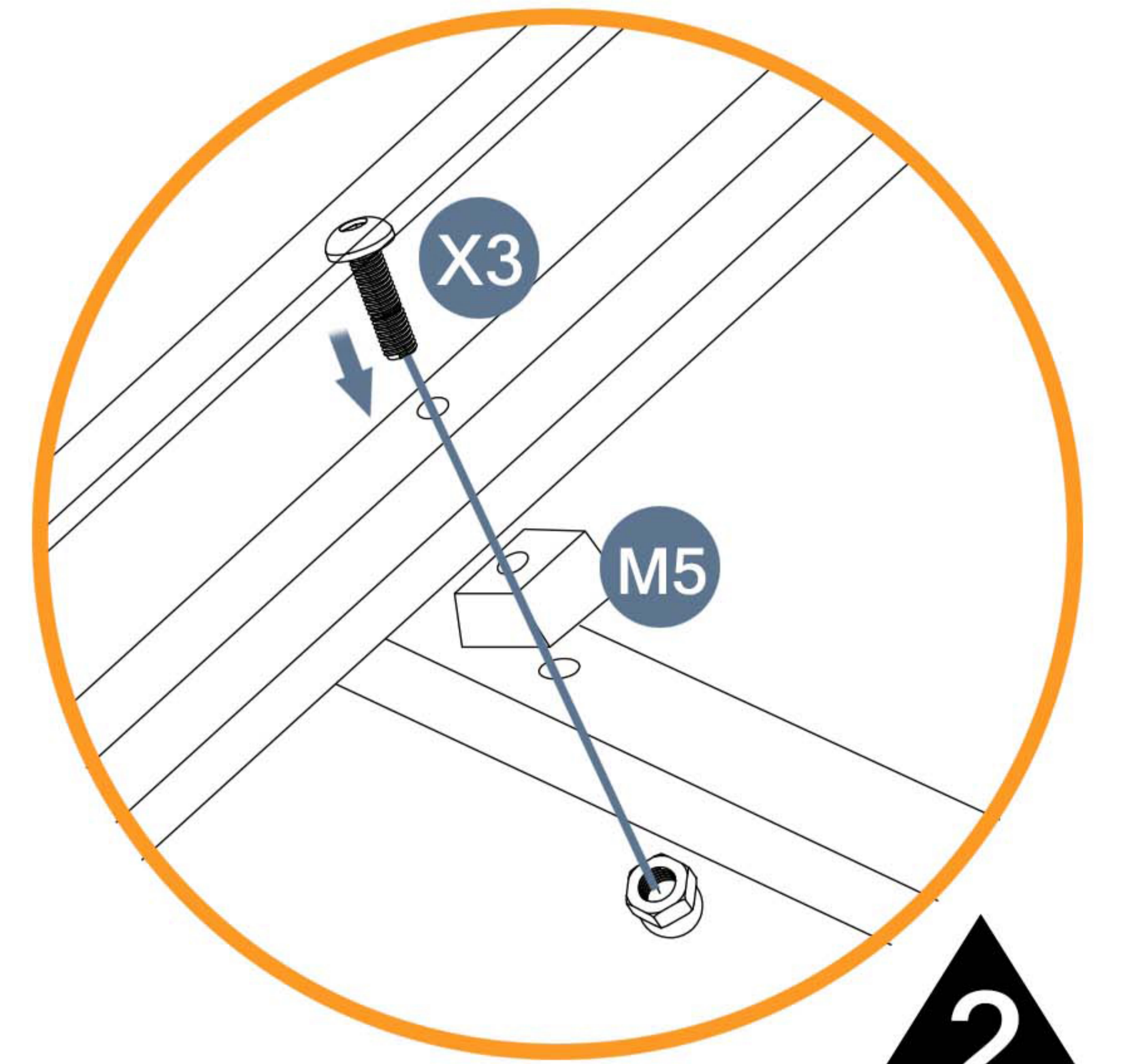
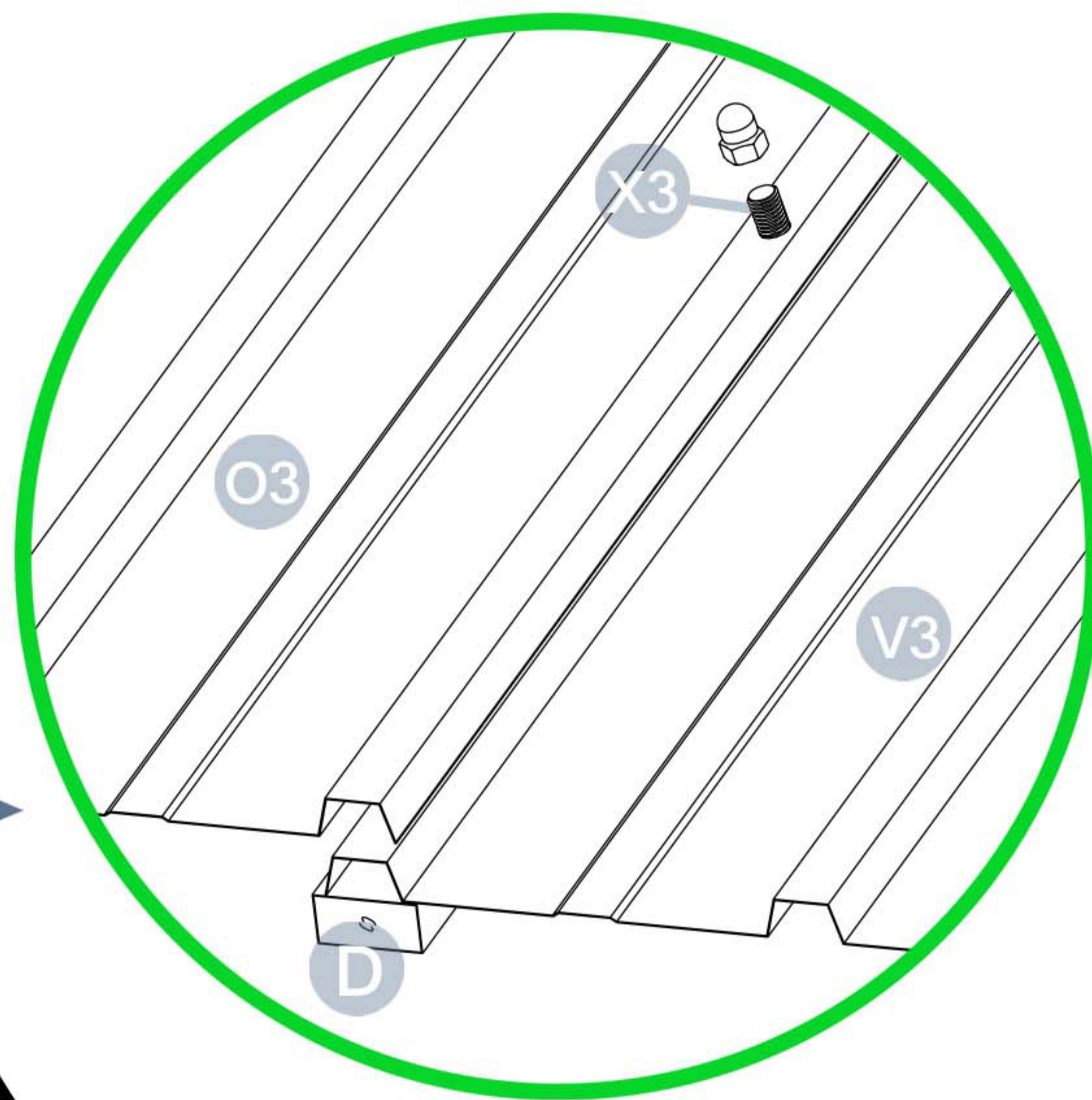
X3 8pcs  
O3 2pcs  
V3 2pcs



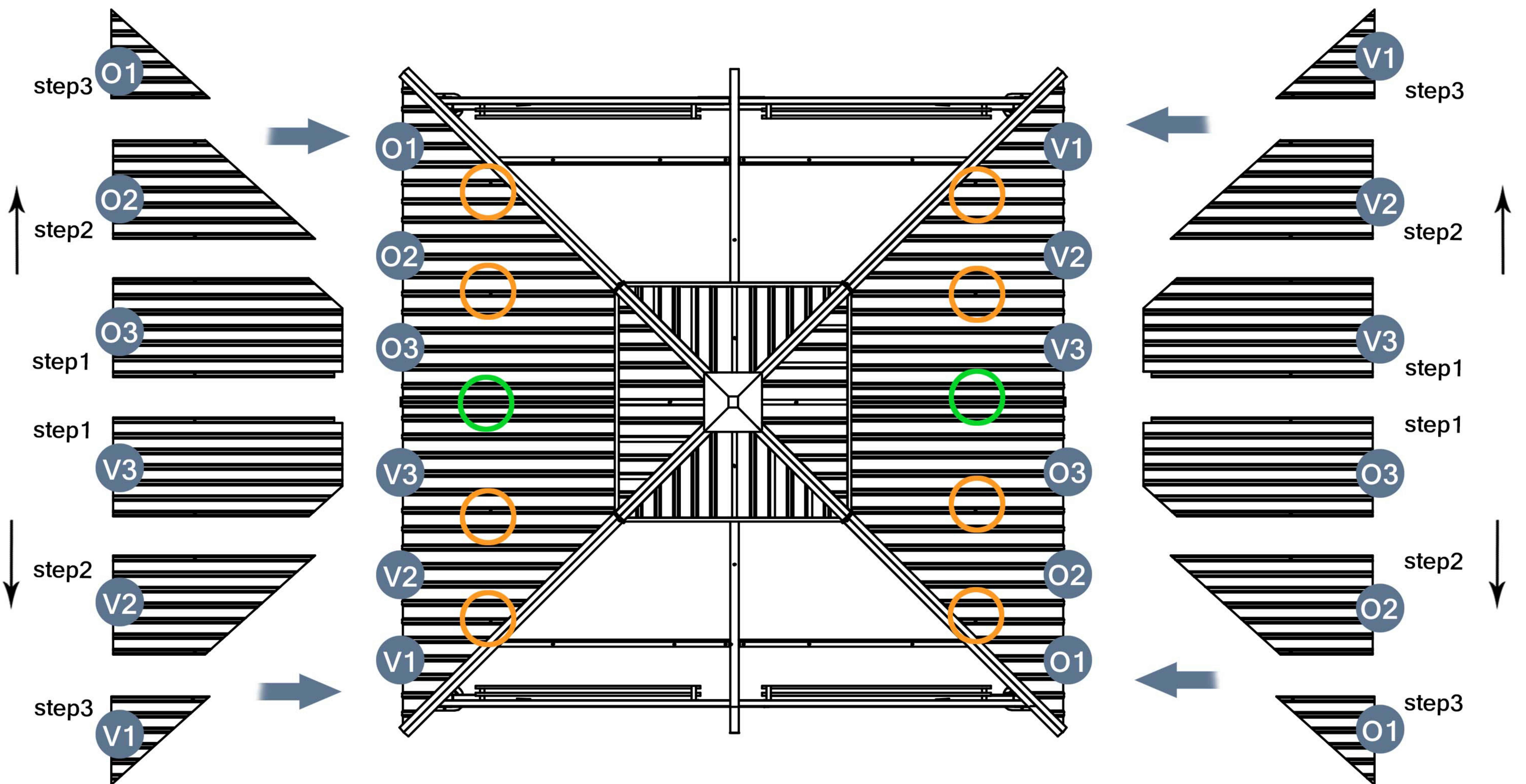
Pay attention to the direction of screw installation



1



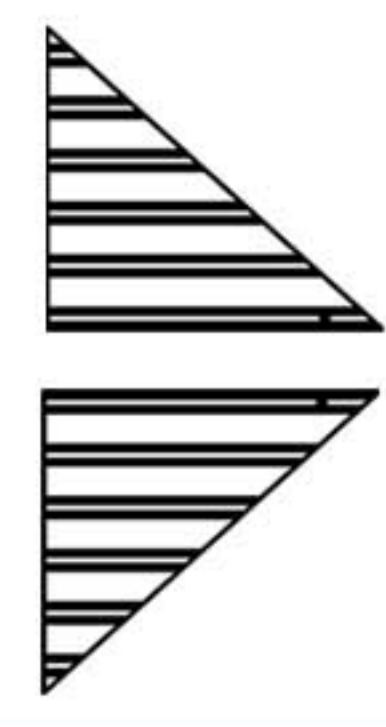
2



Please take care of the screws and contact the after-sales service if there is any problem with the installation or parts.

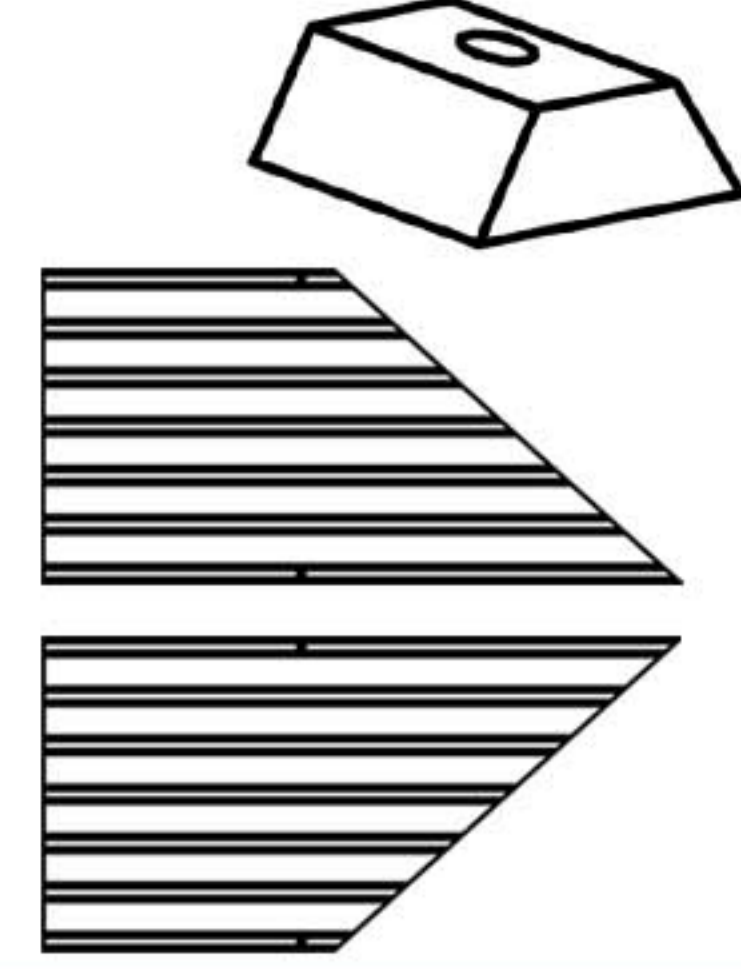
# STEP 15

Parts required



O1 2pcs

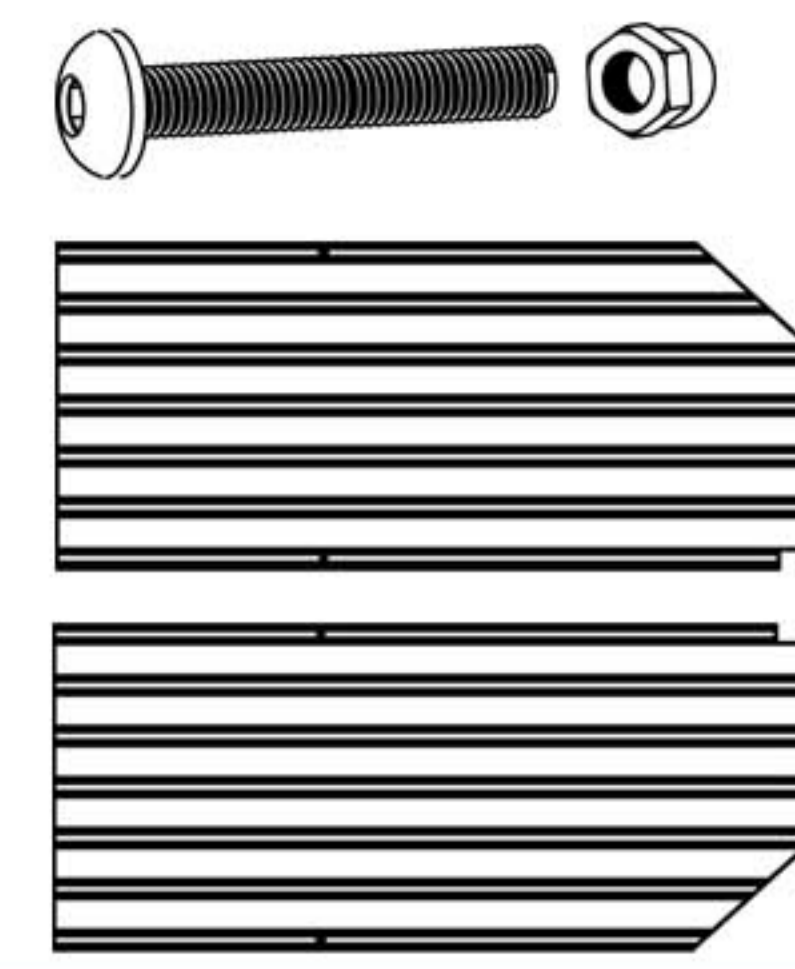
V1 2pcs



M5 10pcs

O2 2pcs

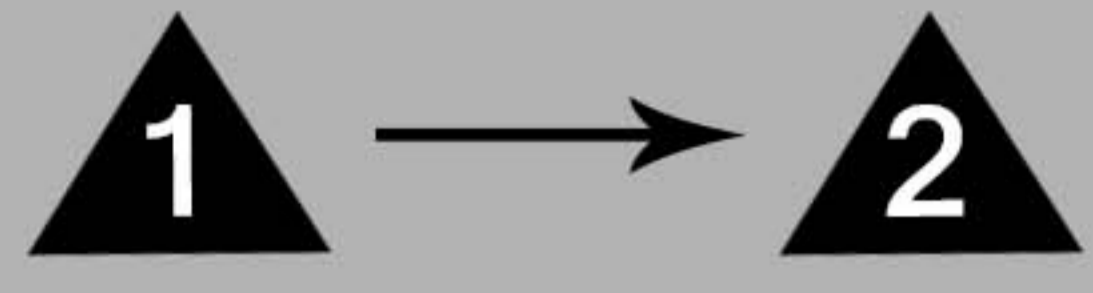
V2 2pcs



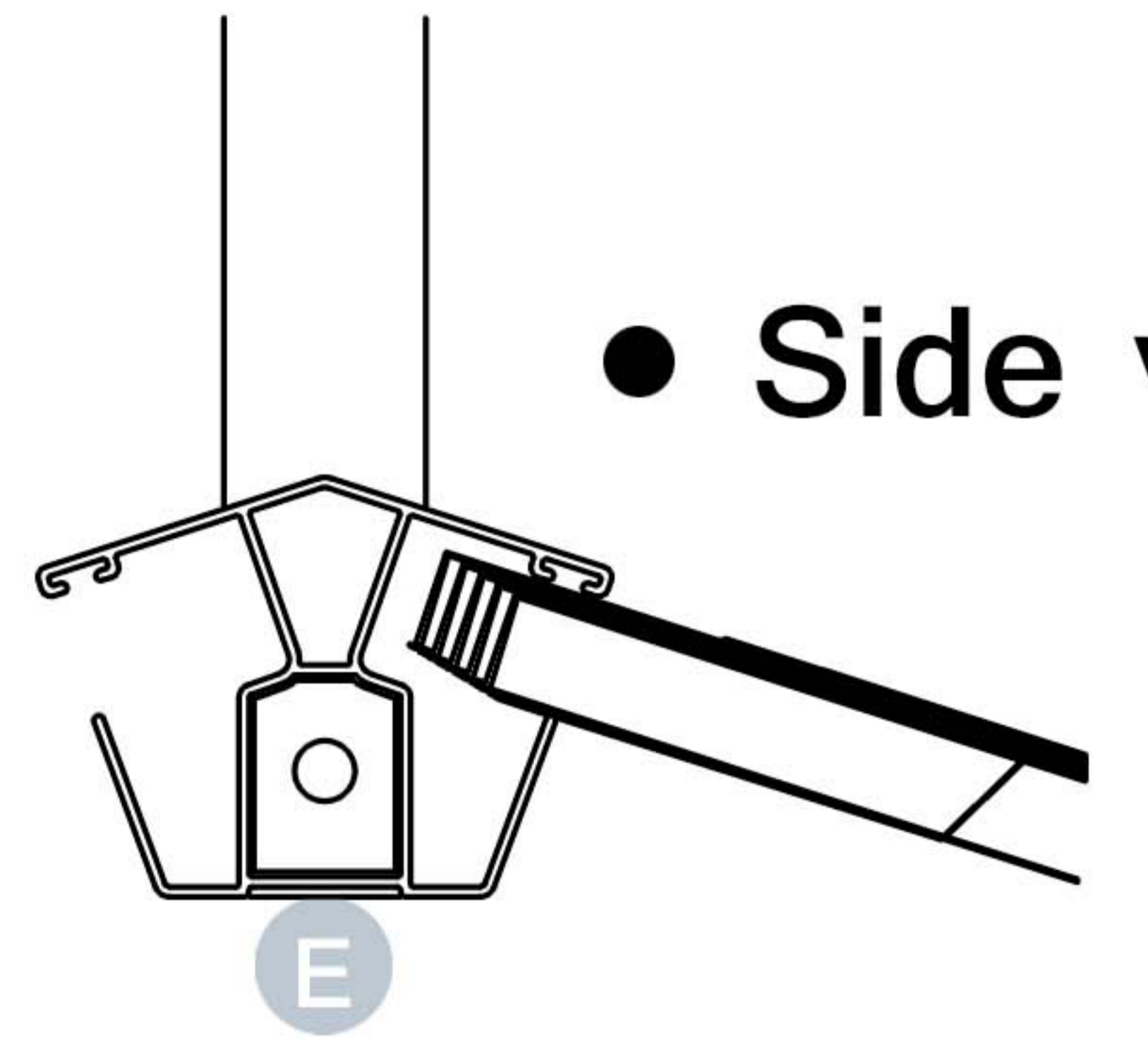
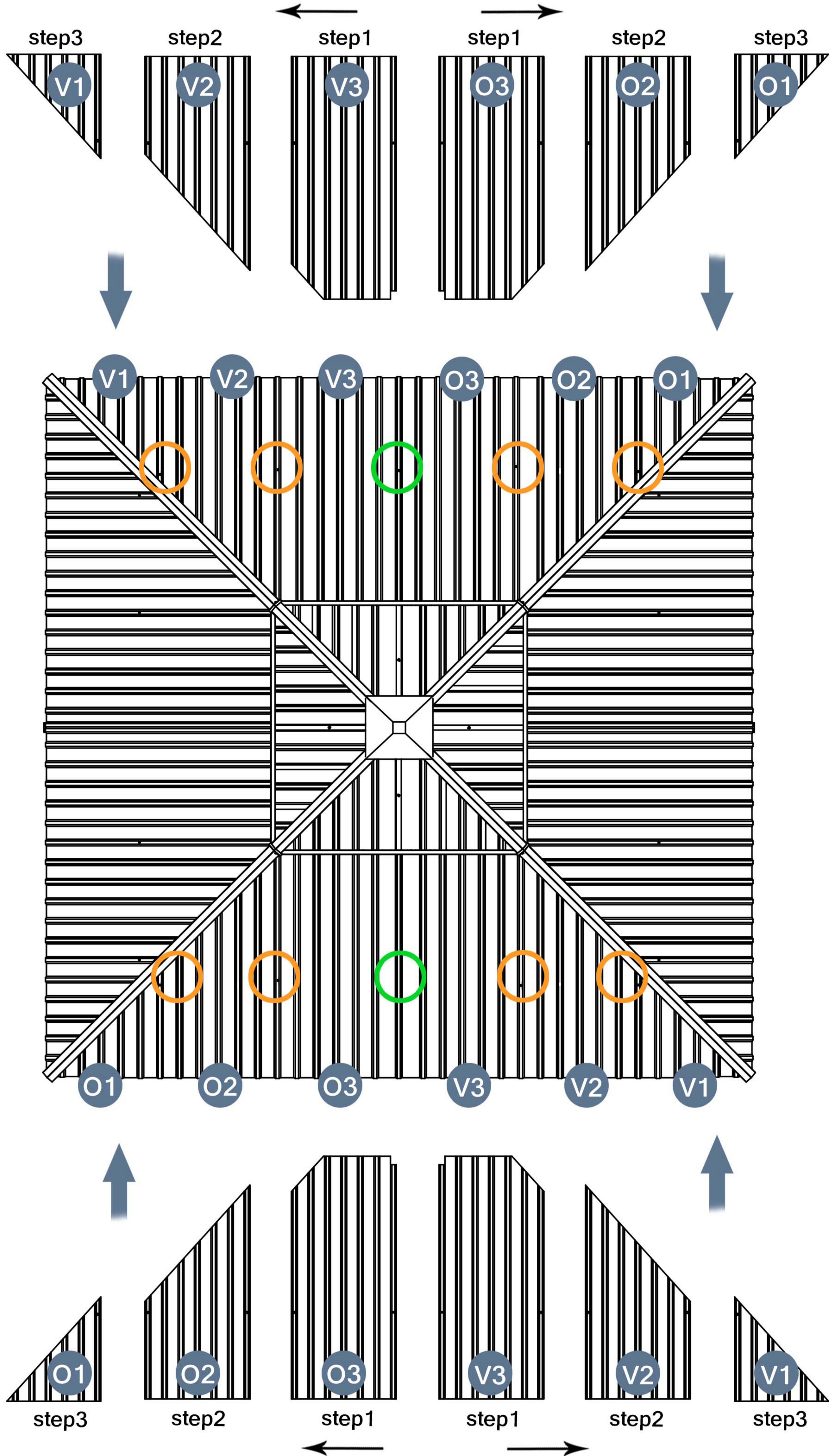
X3 8pcs

O3 2pcs

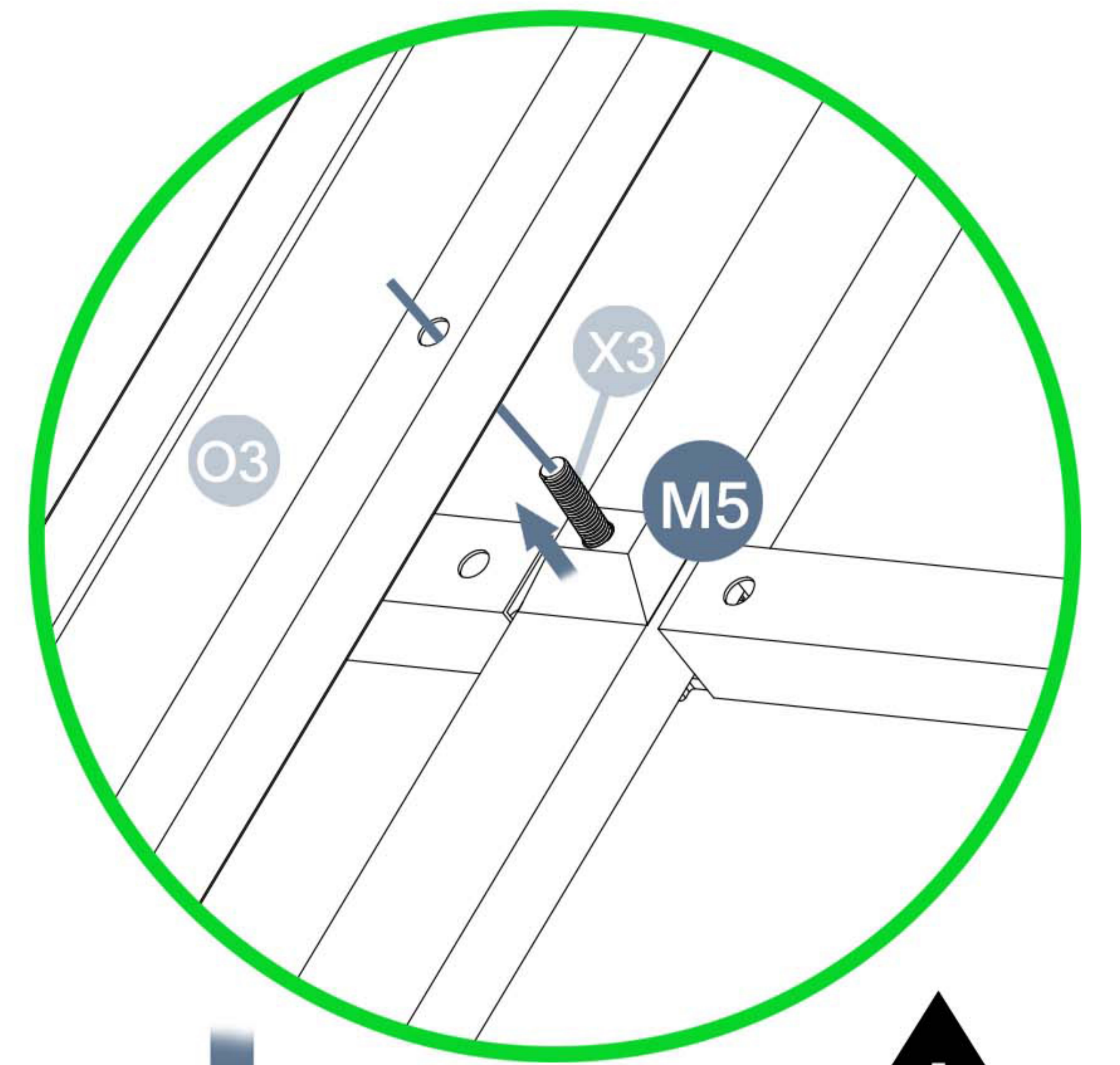
V3 2pcs



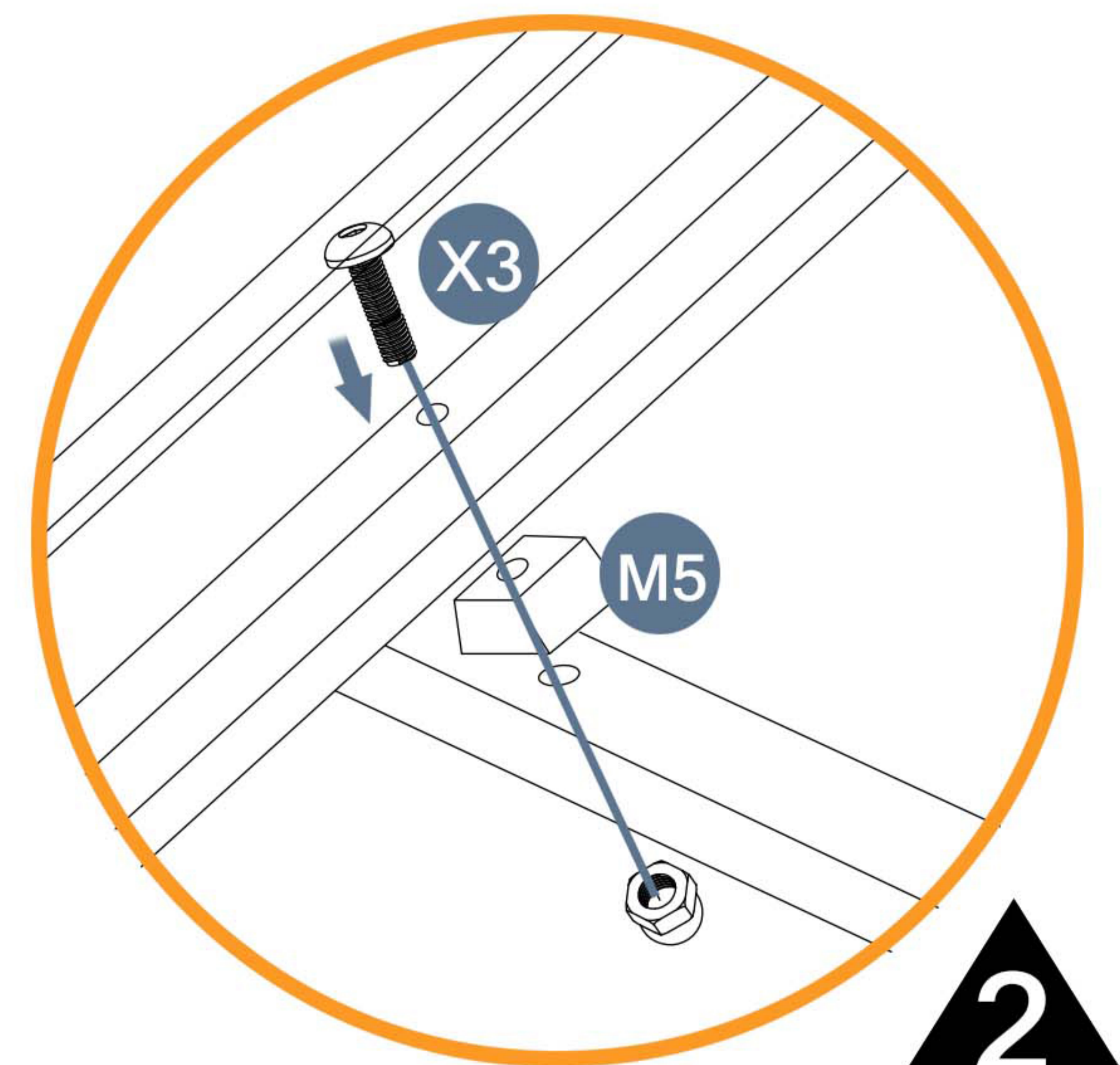
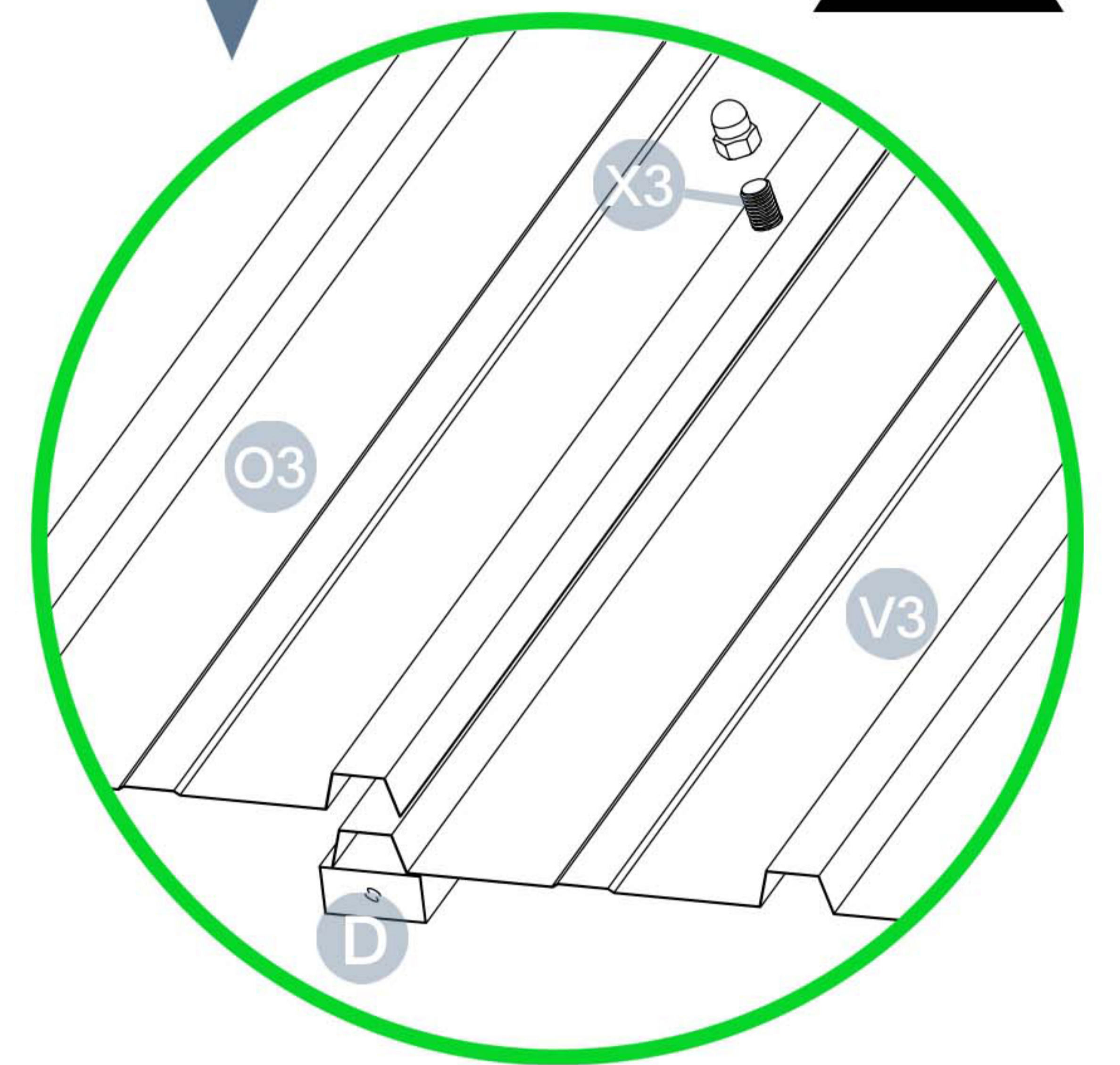
Pay attention to the direction of screw installation



• Side view



1



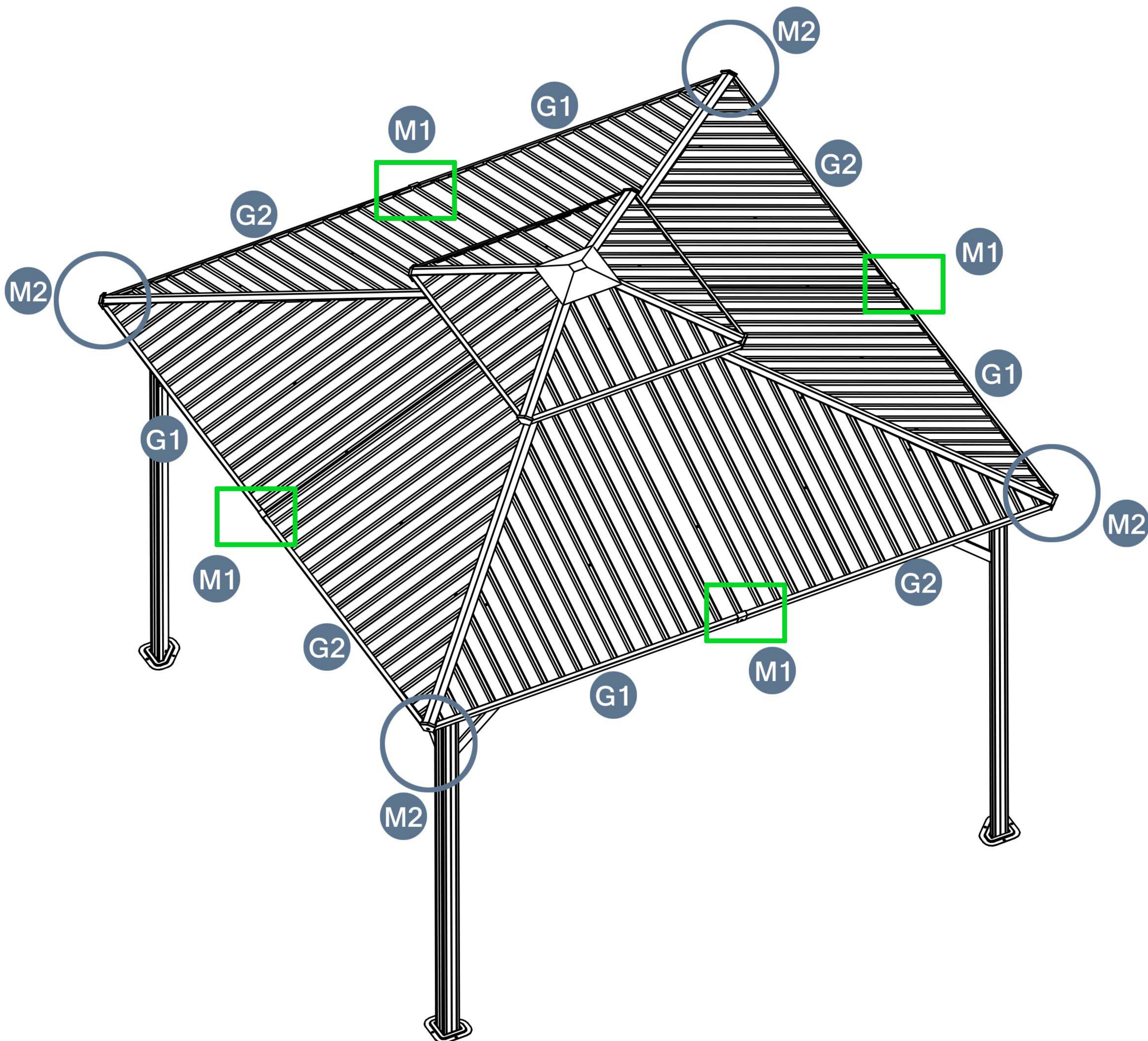
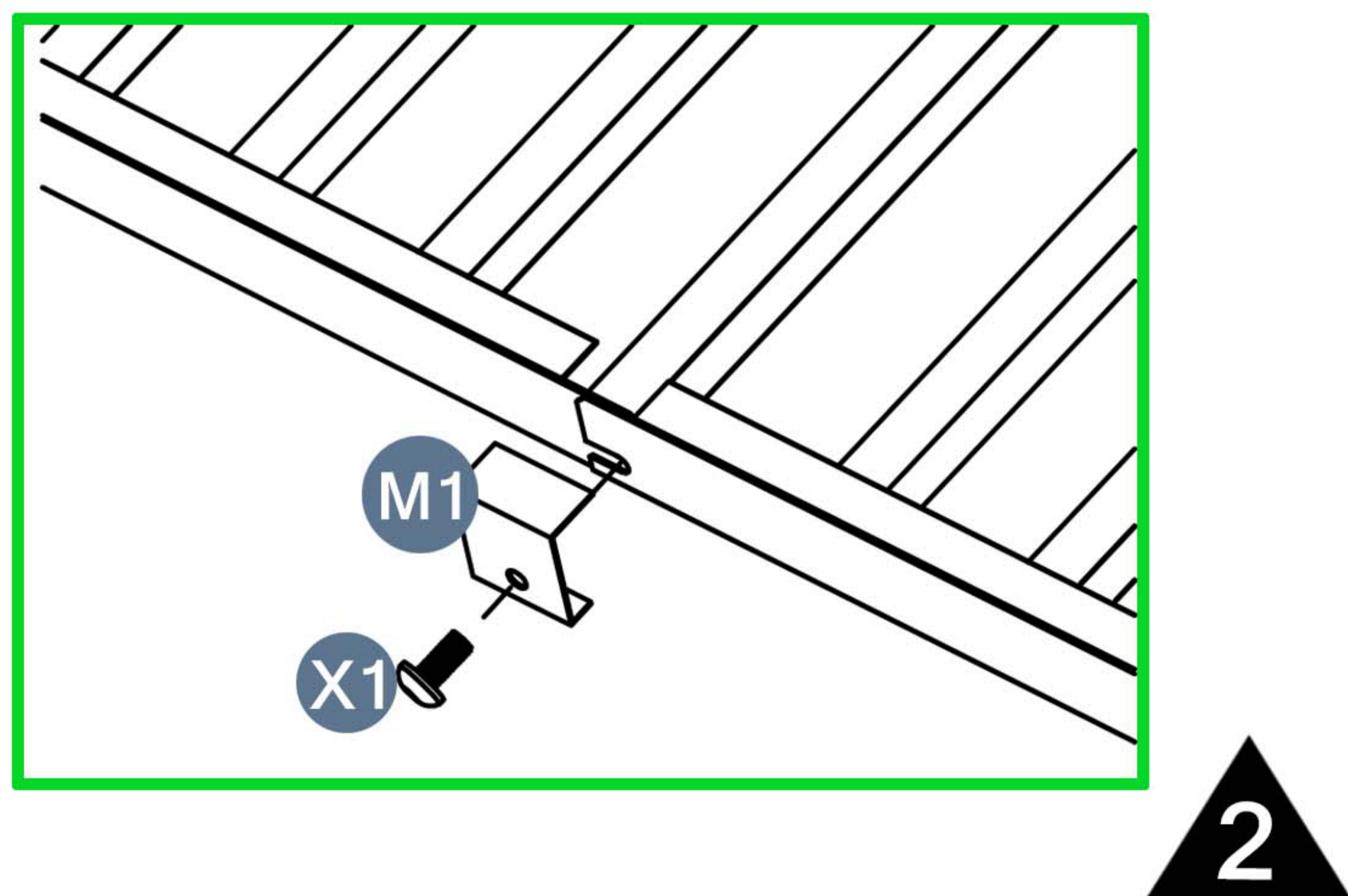
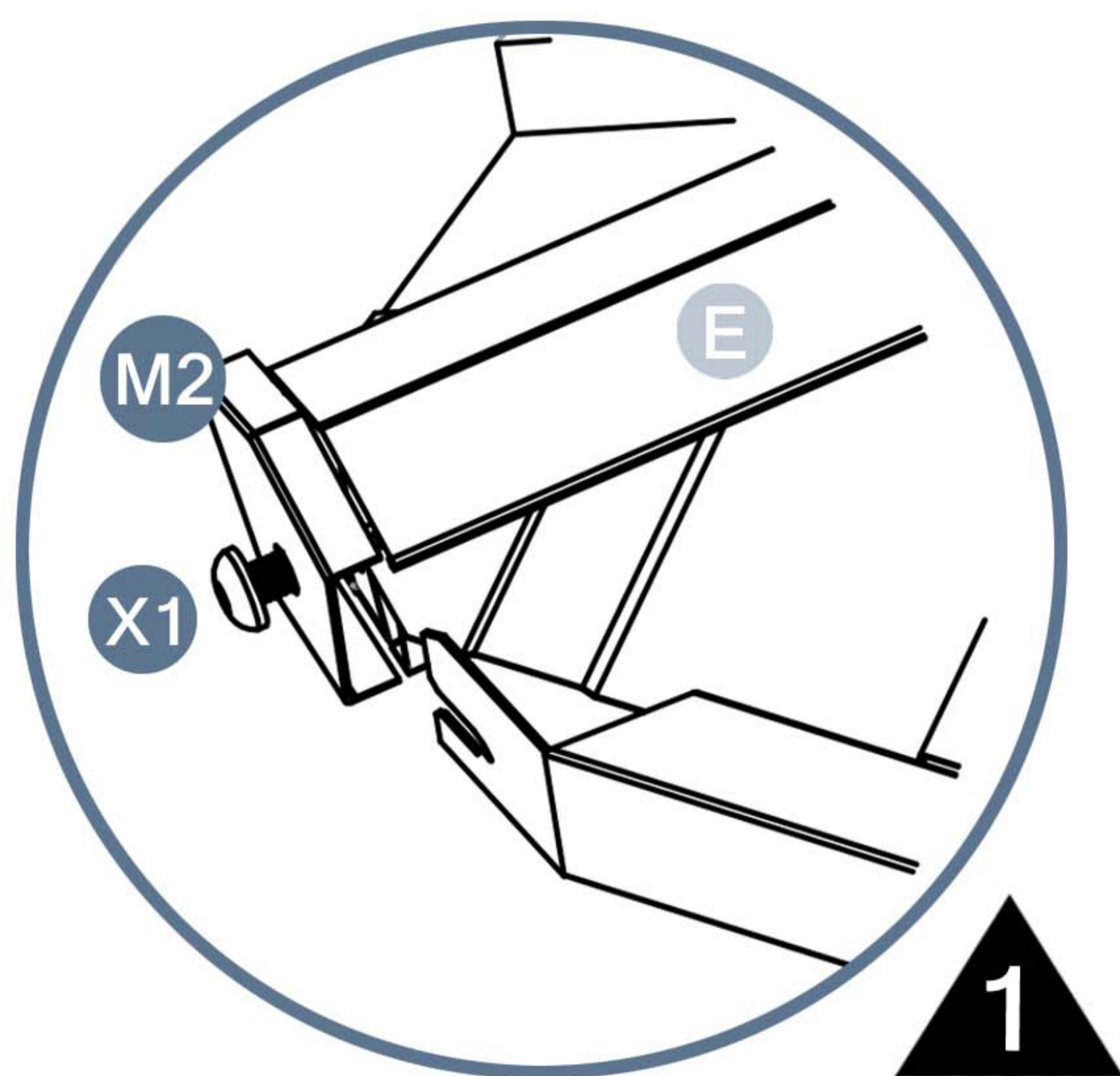
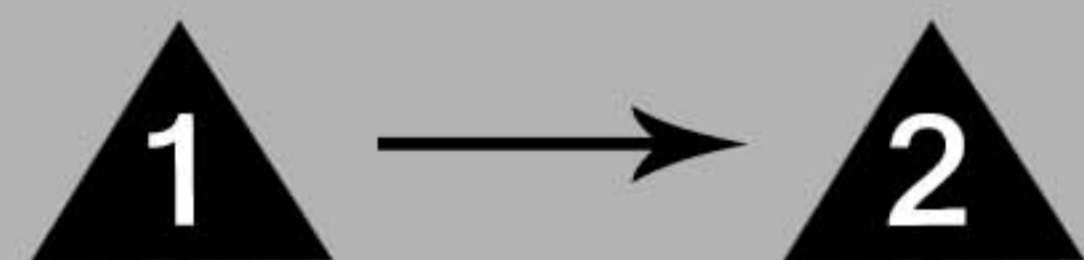
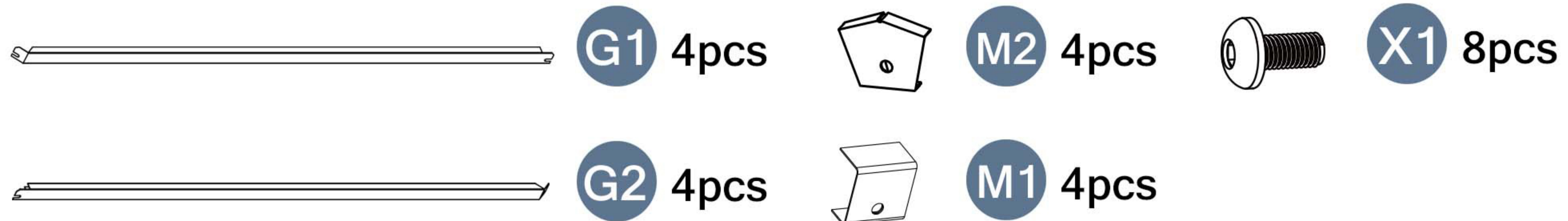
2

Please take care of the screws and contact the after-sales service if there is any problem with the installation or parts.

➔ E-mail: [cs.helper01@gmail.com](mailto:cs.helper01@gmail.com)

# STEP 16

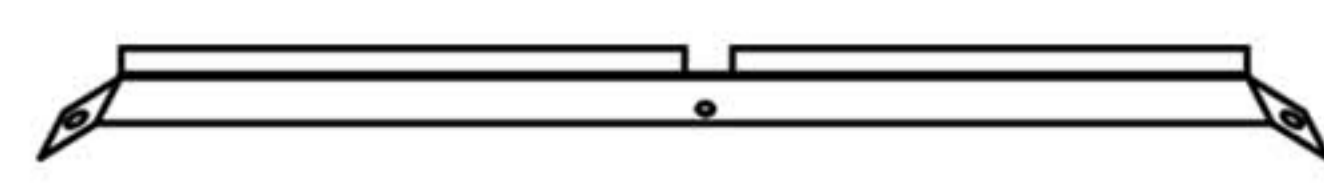
Parts required



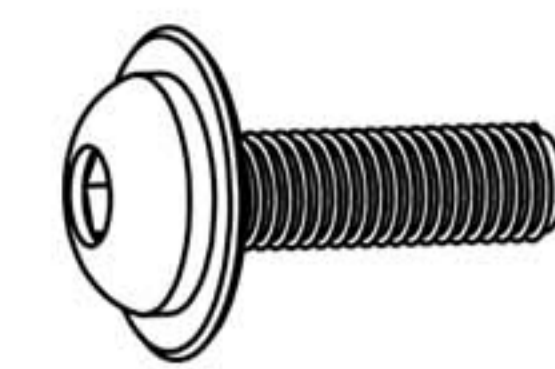
Please take care of the screws and contact the after-sales service if there is any problem with the installation or parts.

# STEP 17

Parts required



G8 4pcs



X5 4pcs

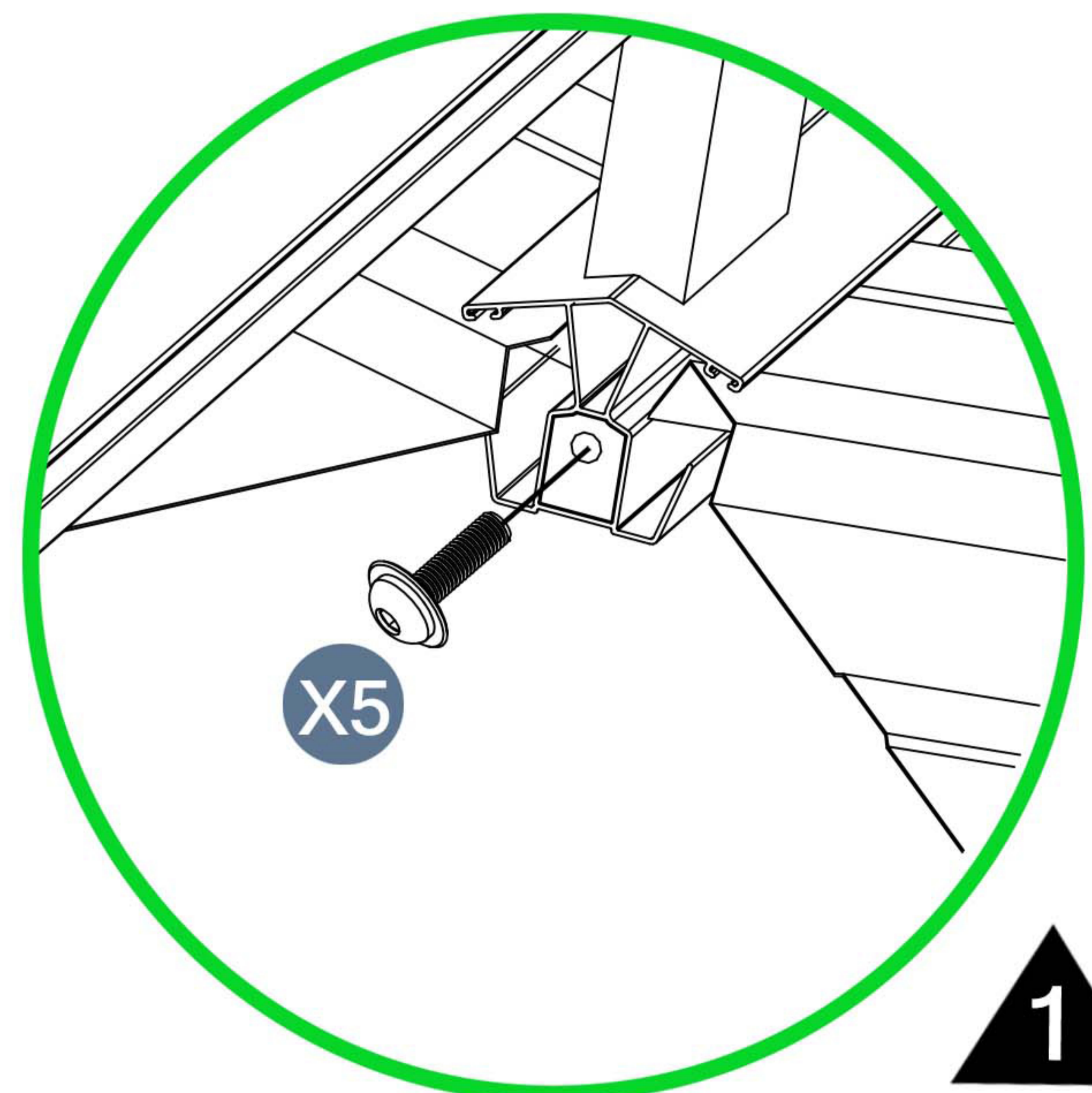
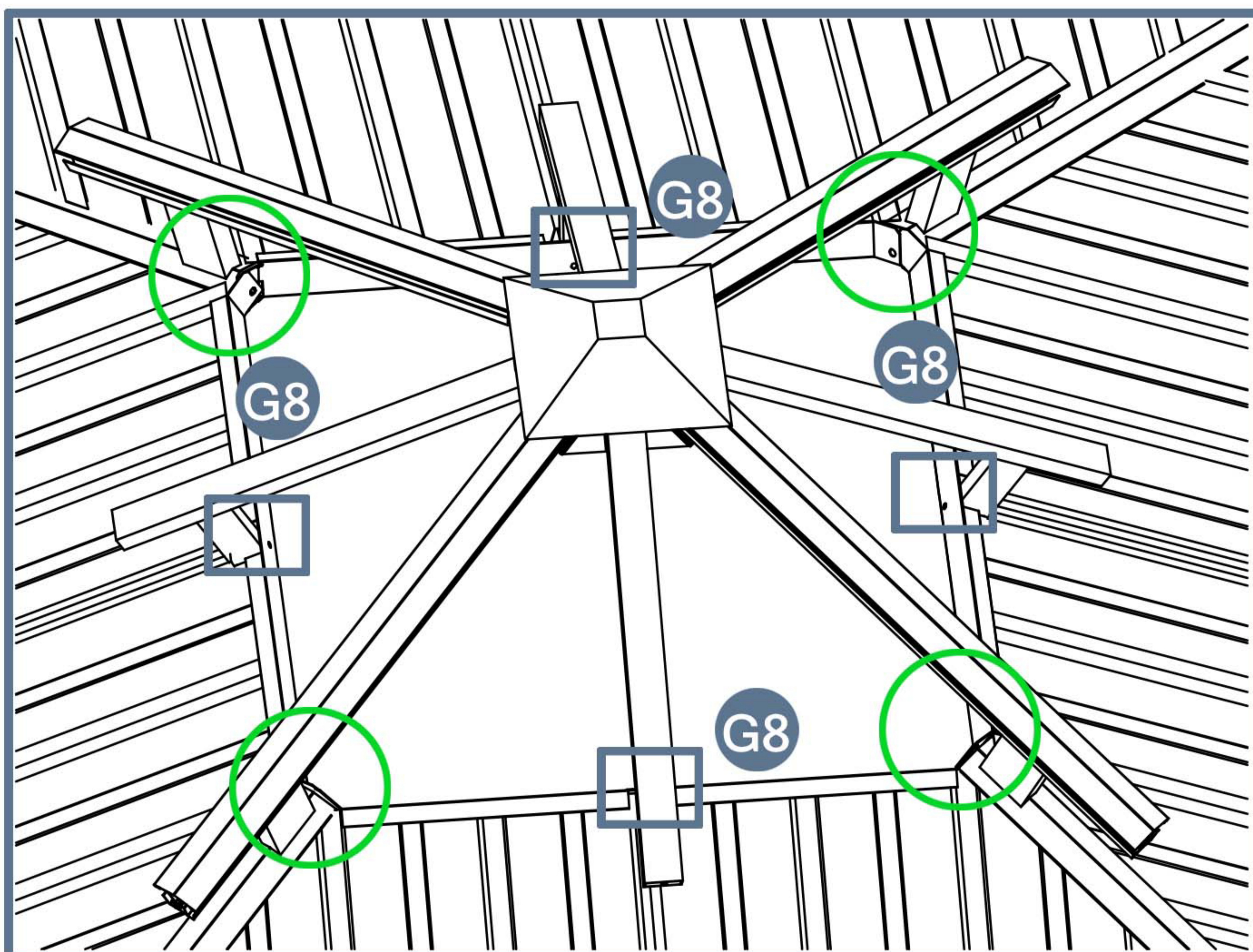


X1 4pcs

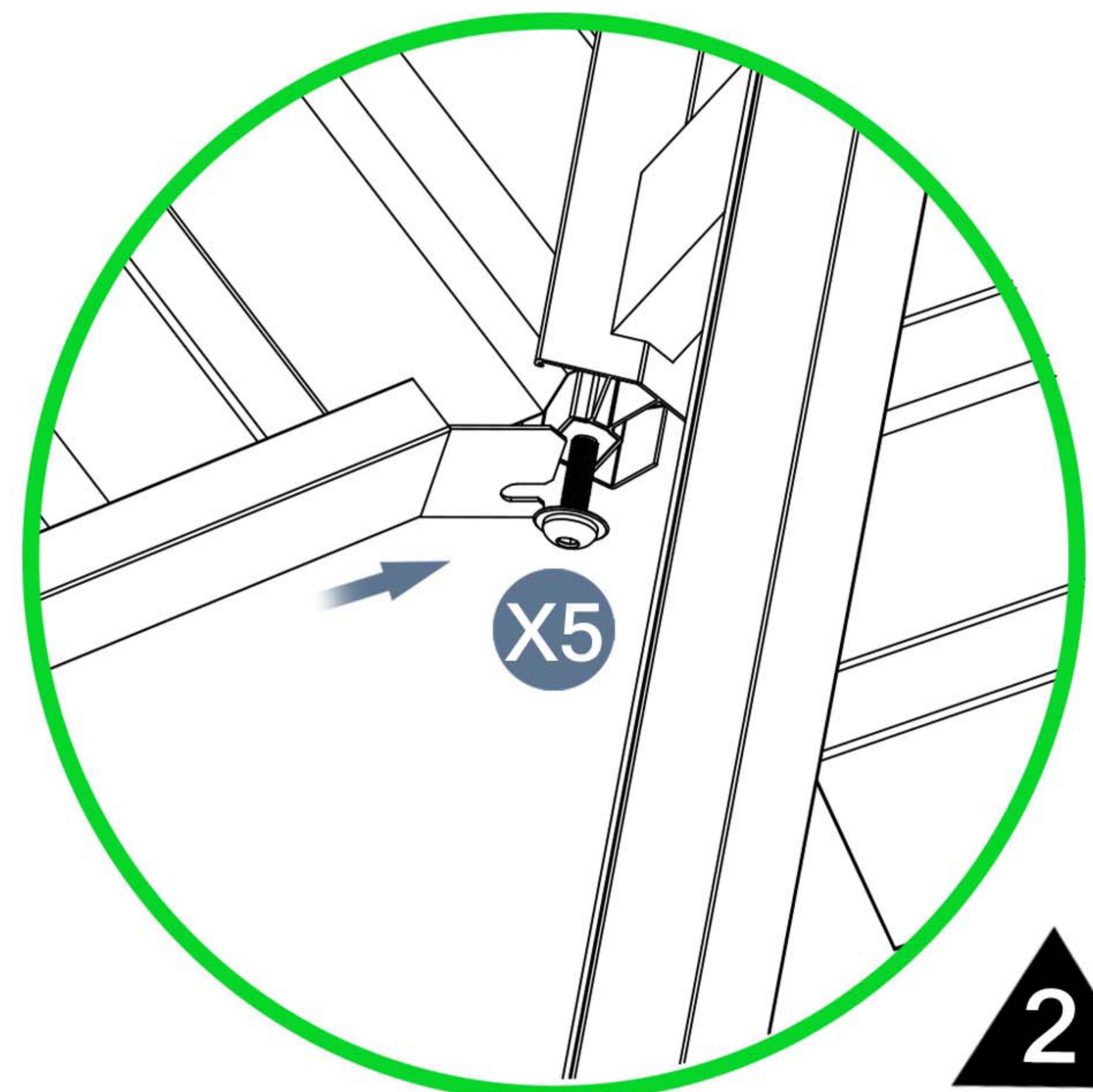


It can be installed from the inside.

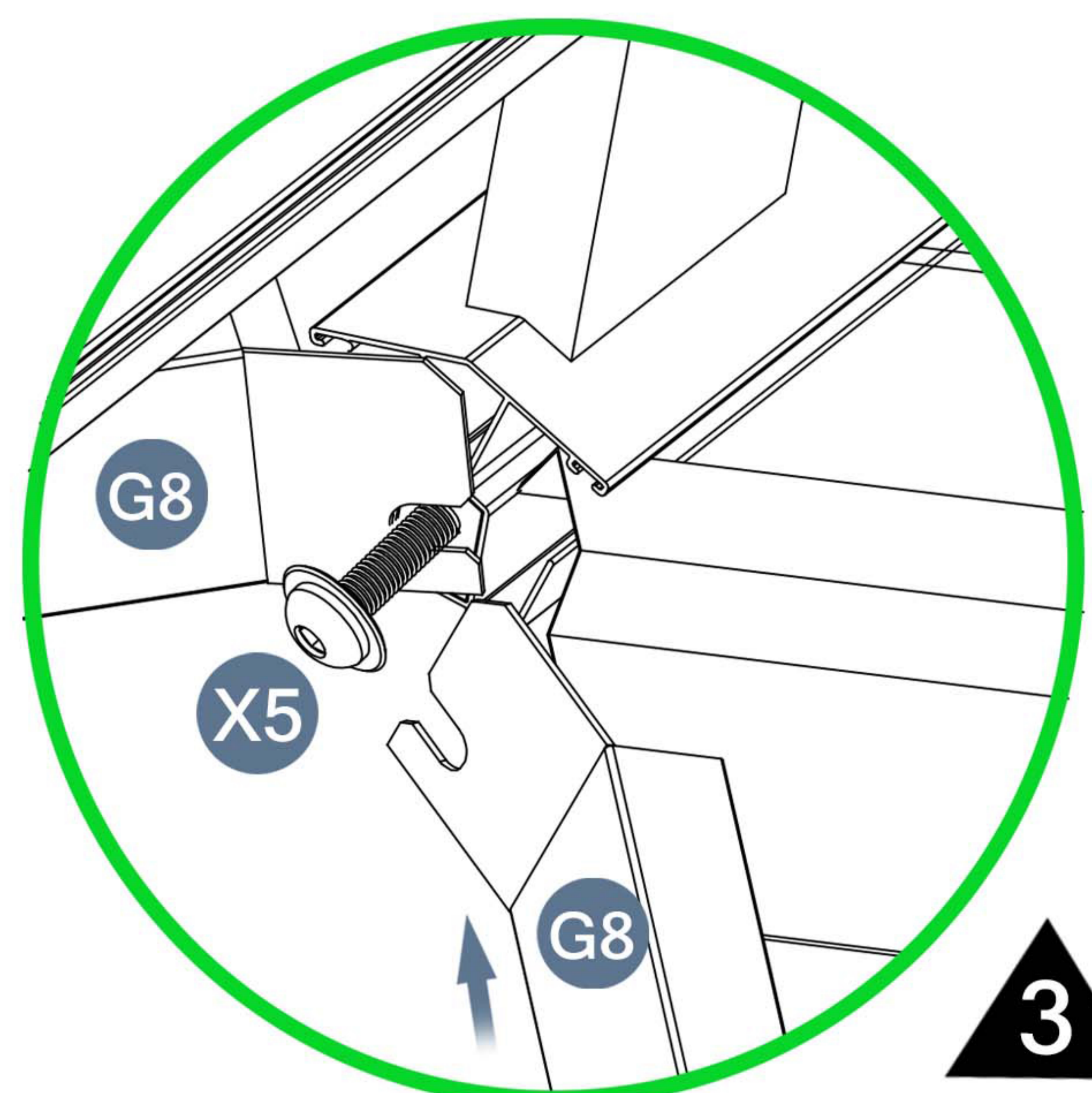
To better align the screws for practical situations, do not fully tighten screws initially.



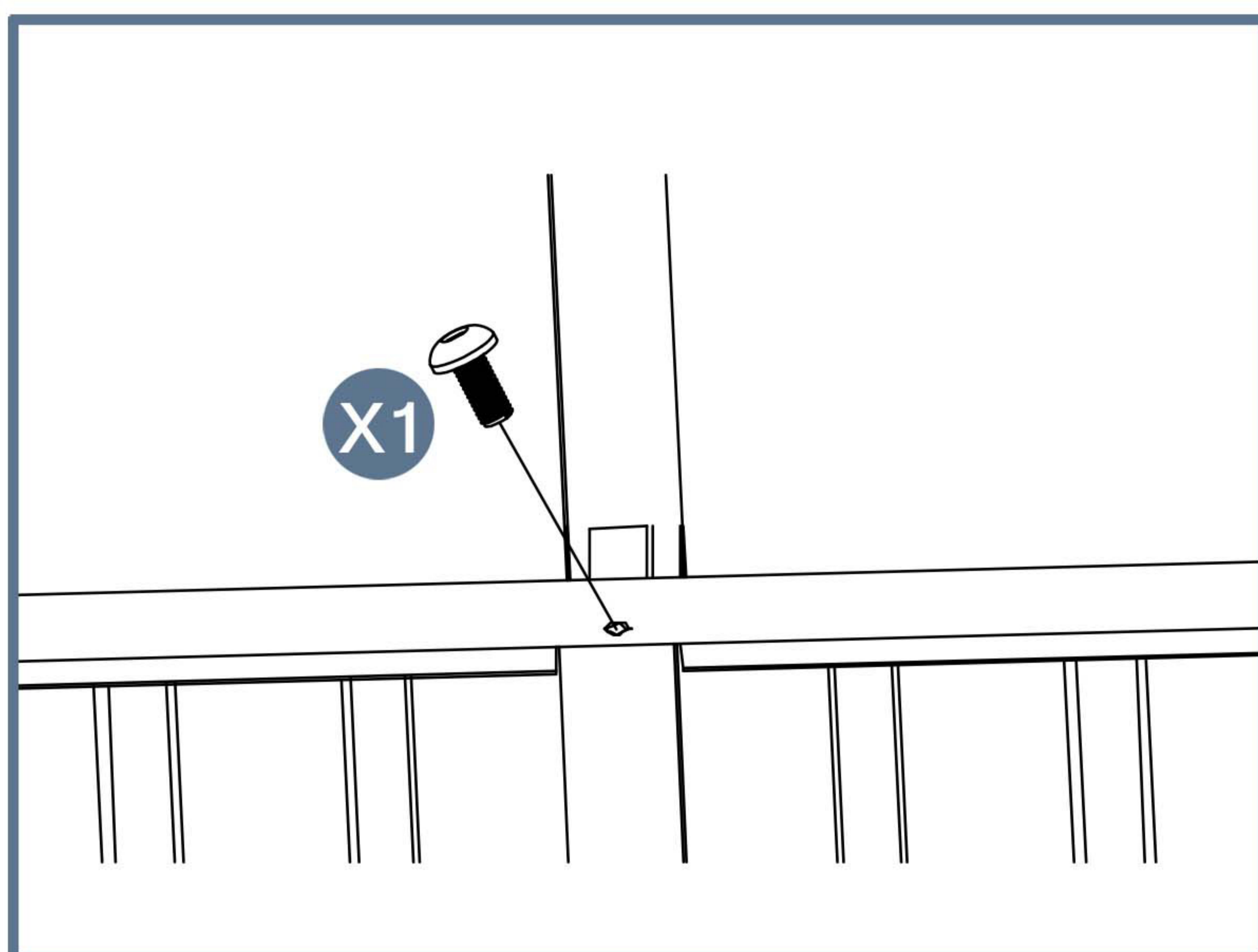
1



2



3



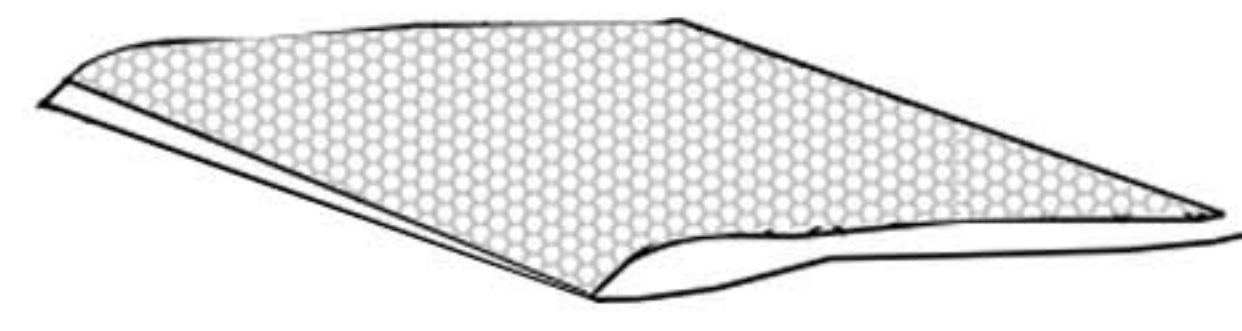
4

Please take care of the screws and contact the after-sales service if there is any problem with the installation or parts.

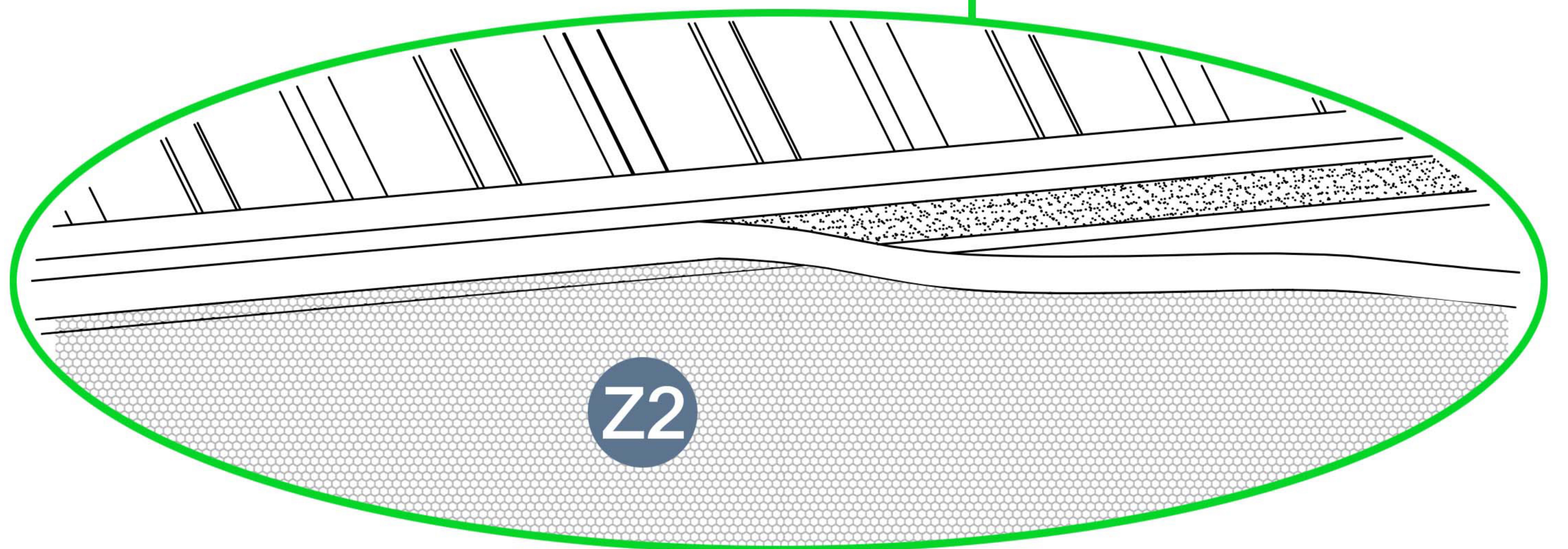
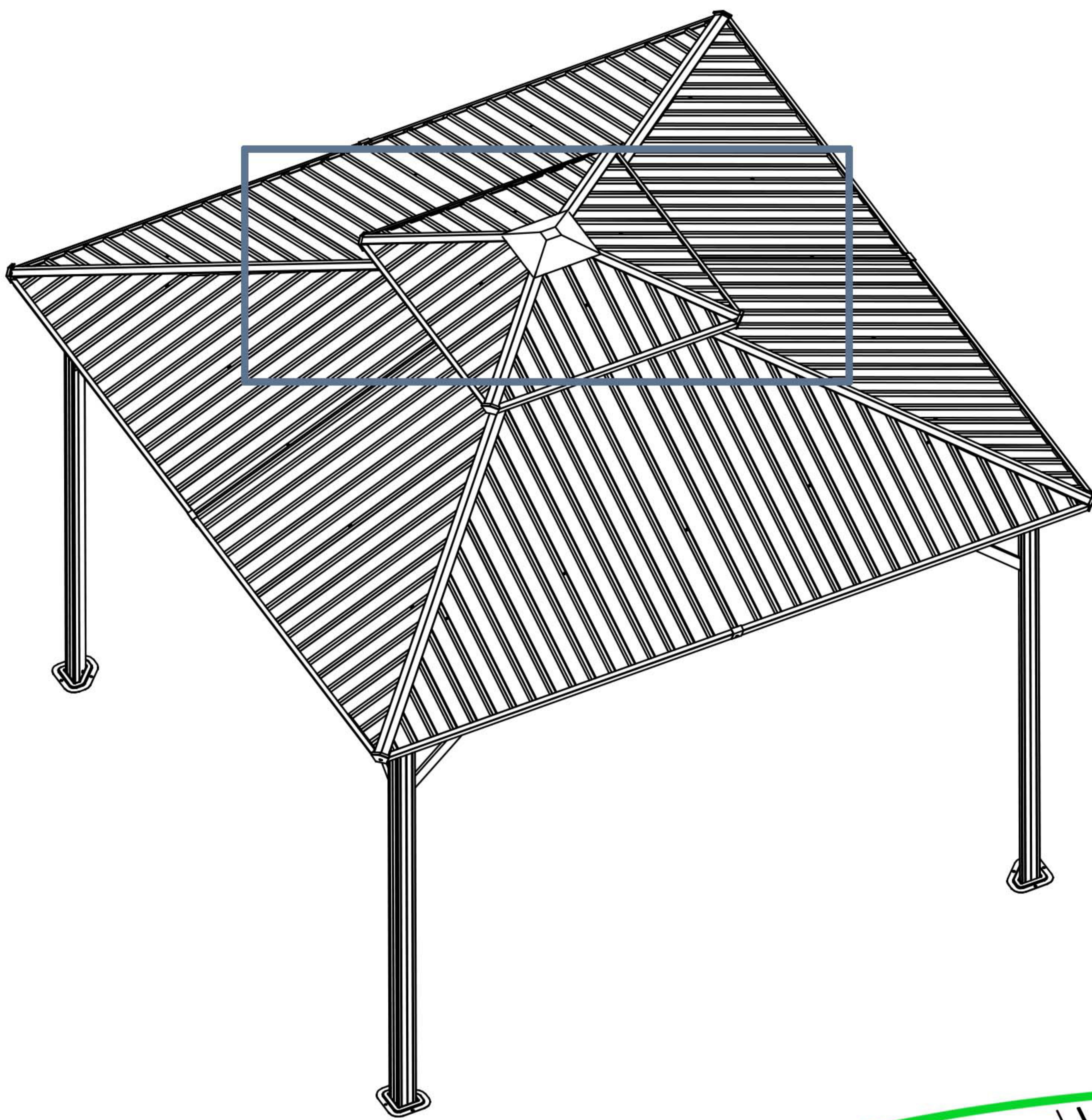
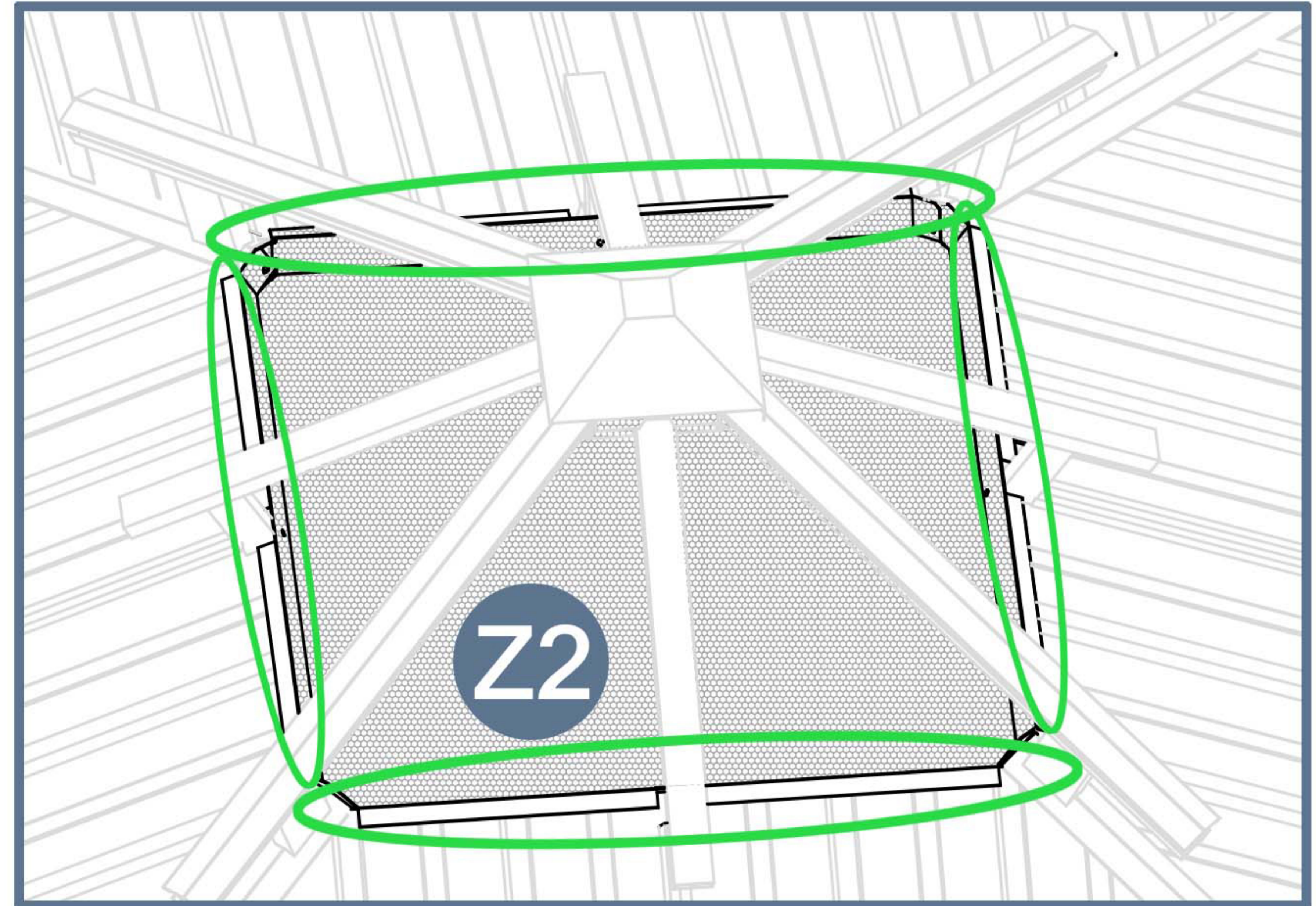
➔ ✉ E-mail: [cs.helper01@gmail.com](mailto:cs.helper01@gmail.com)

# STEP 18

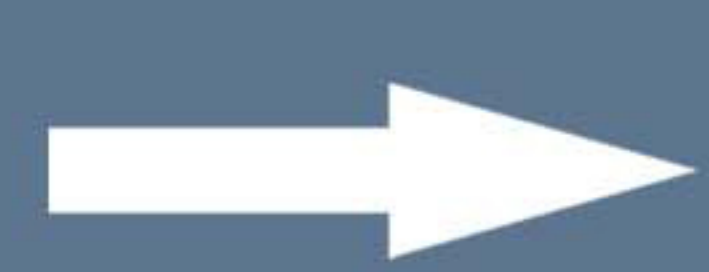
Parts required



Z2 1pcs

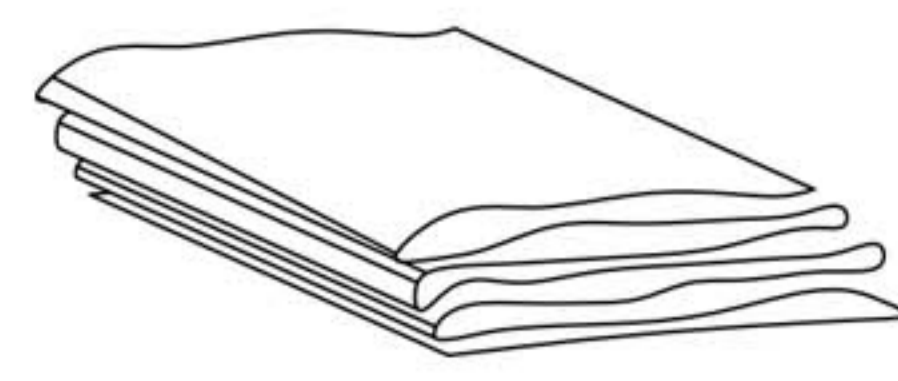


Please take care of the screws and contact the after-sales service if there is any problem with the installation or parts.



# STEP 19

Parts required

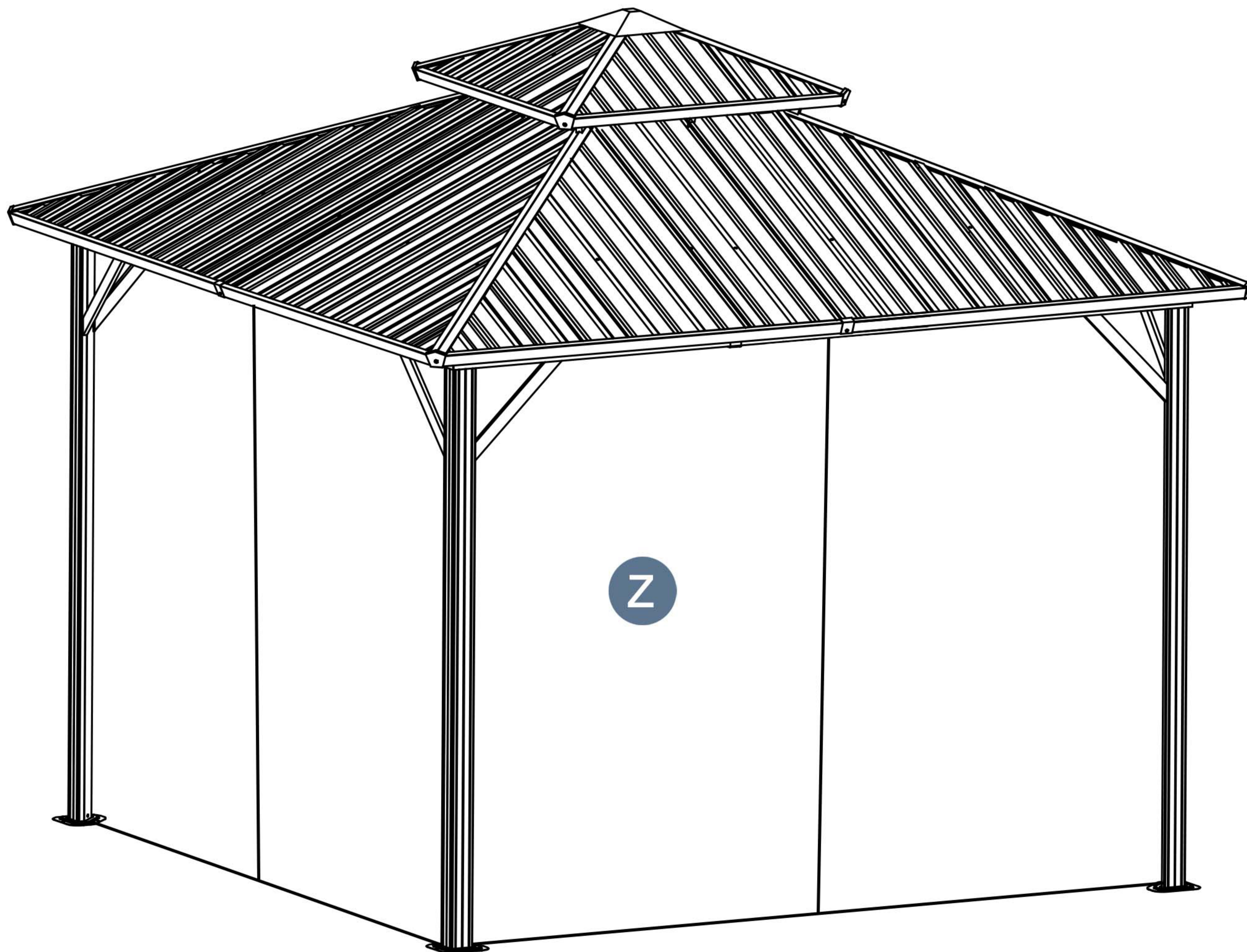
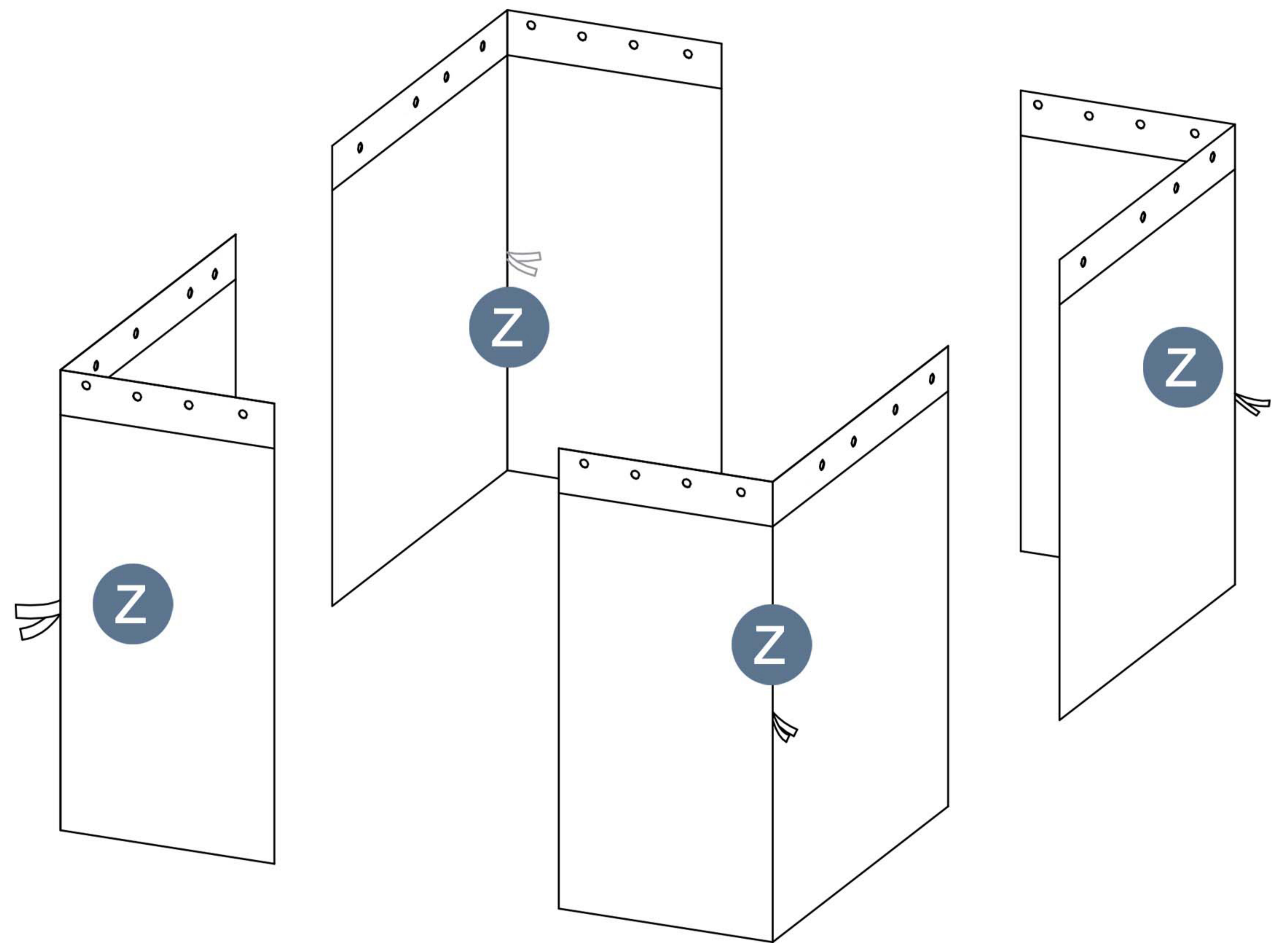
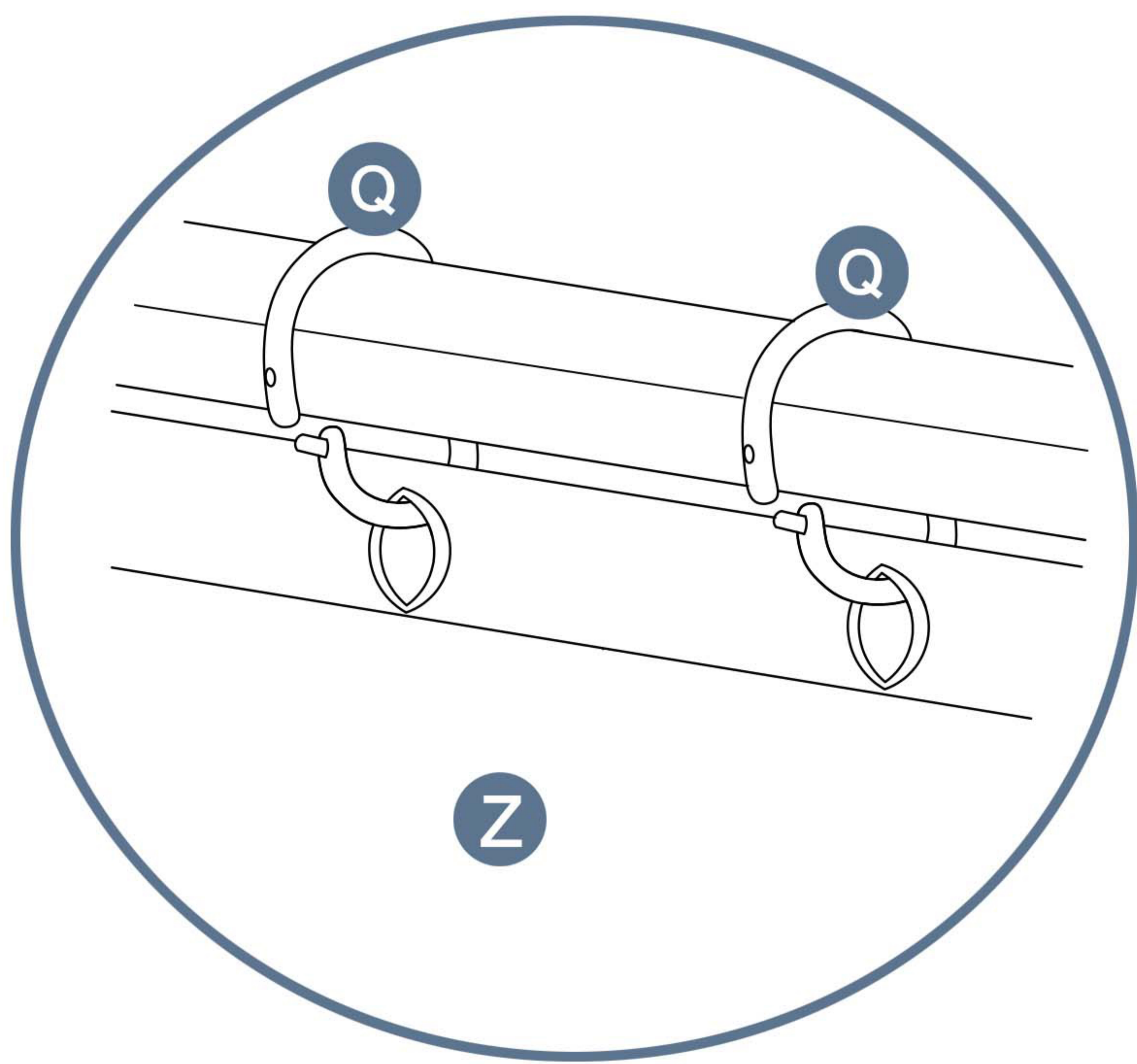


Z 1pcs



Q 32pcs

Pay attention to the number of holes on the top of the cloth.

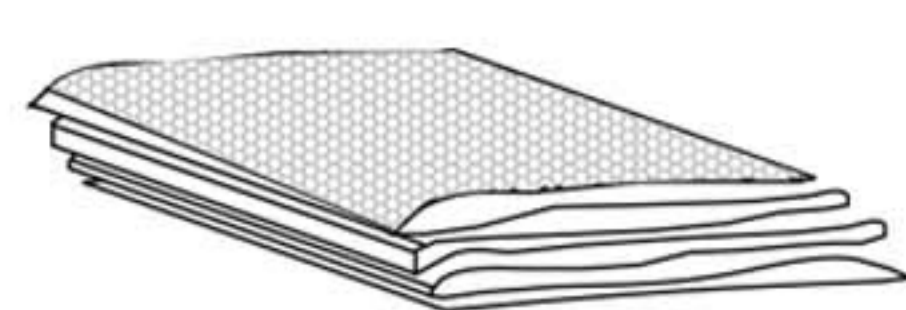


Please take care of the screws and contact the after-sales service if there is any problem with the installation or parts.

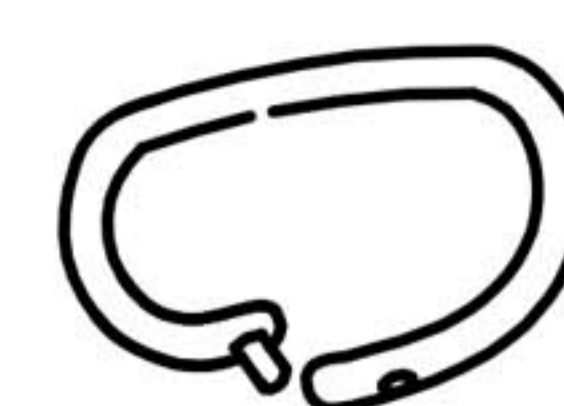
➔ ✉ E-mail: [cs.helper01@gmail.com](mailto:cs.helper01@gmail.com)

# STEP 20

Parts required

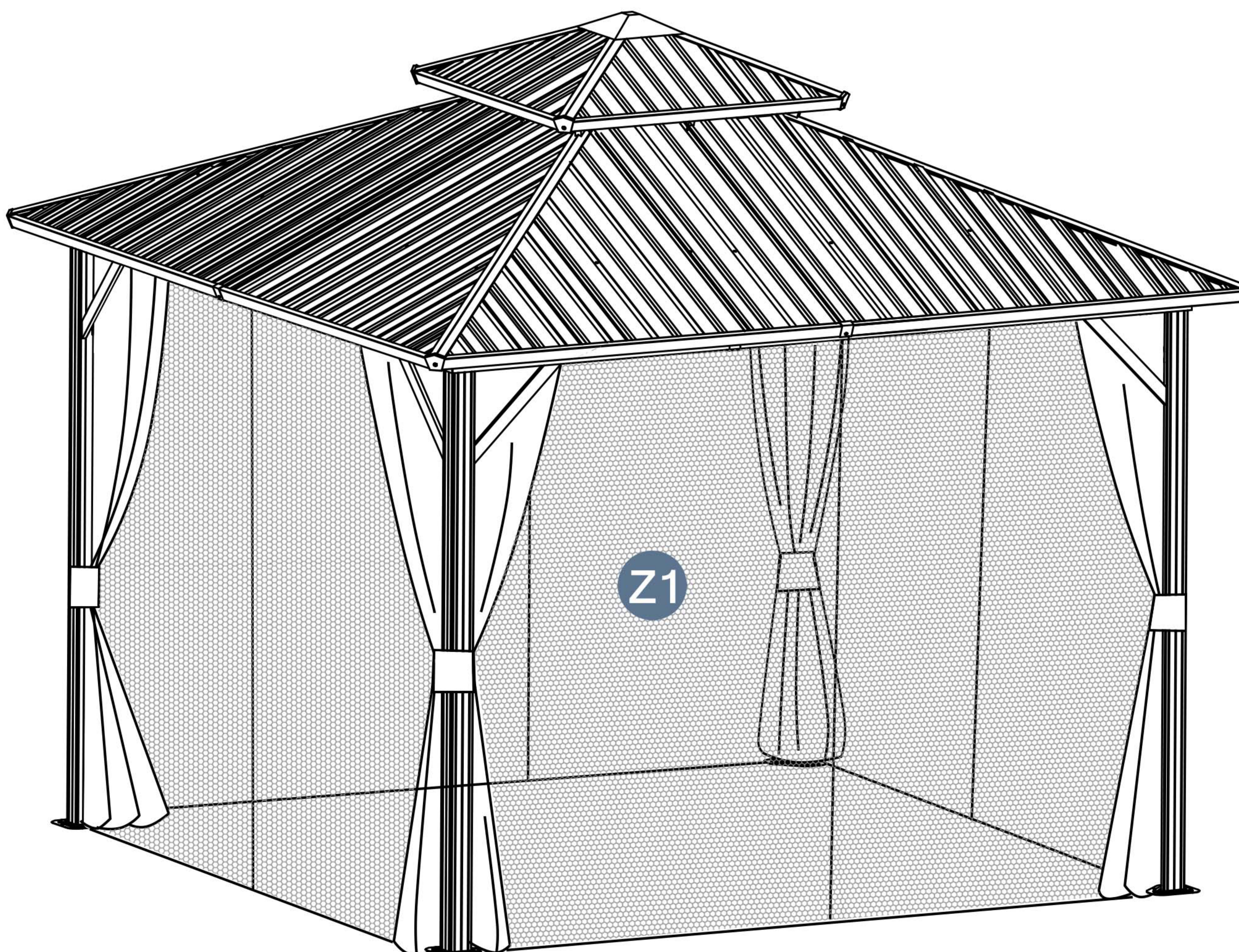
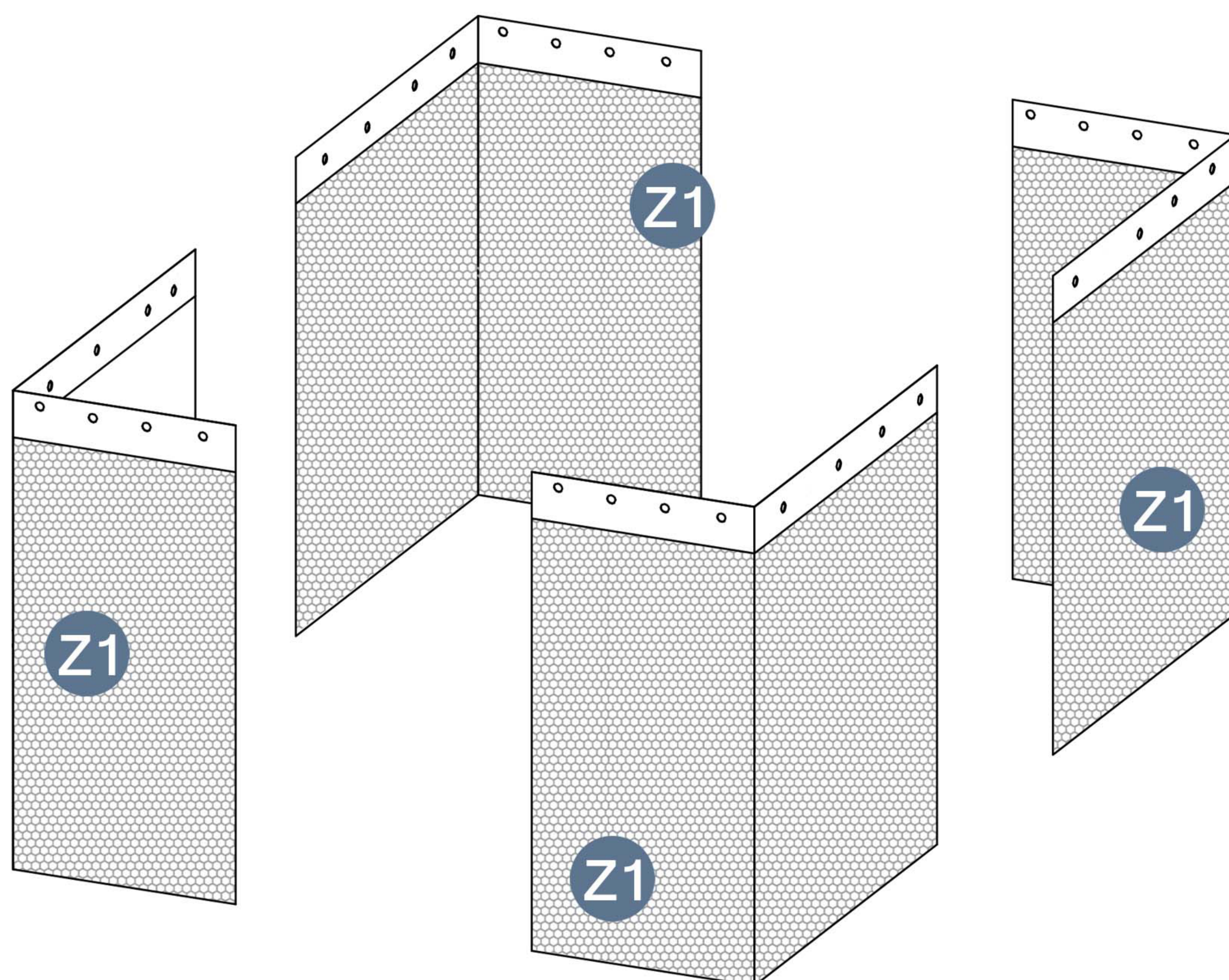
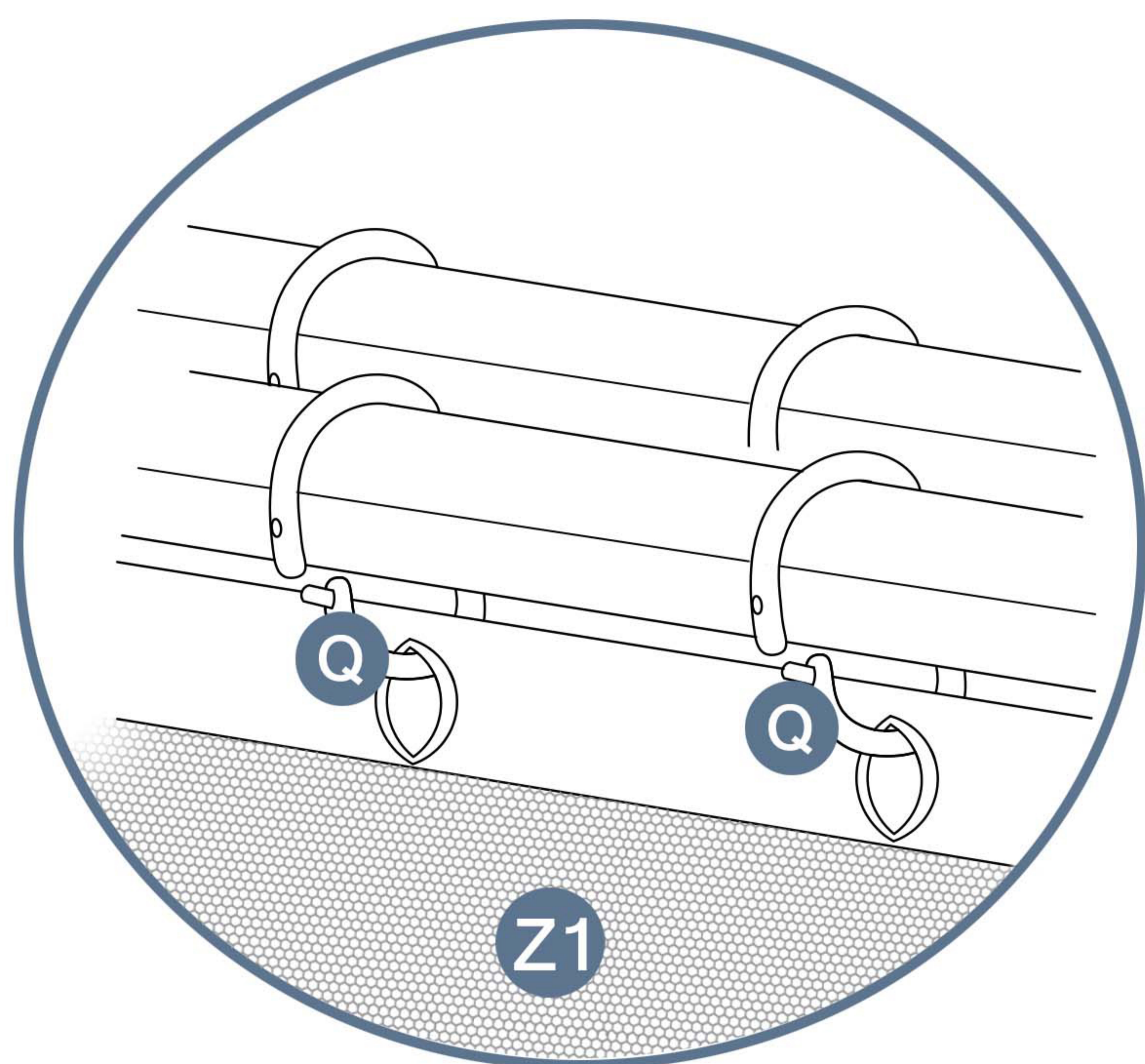


Z1 1pcs



Q 32pcs

Pay attention to the number of holes on the top of the cloth.



Please take care of the screws and contact the after-sales service if there is any problem with the installation or parts.

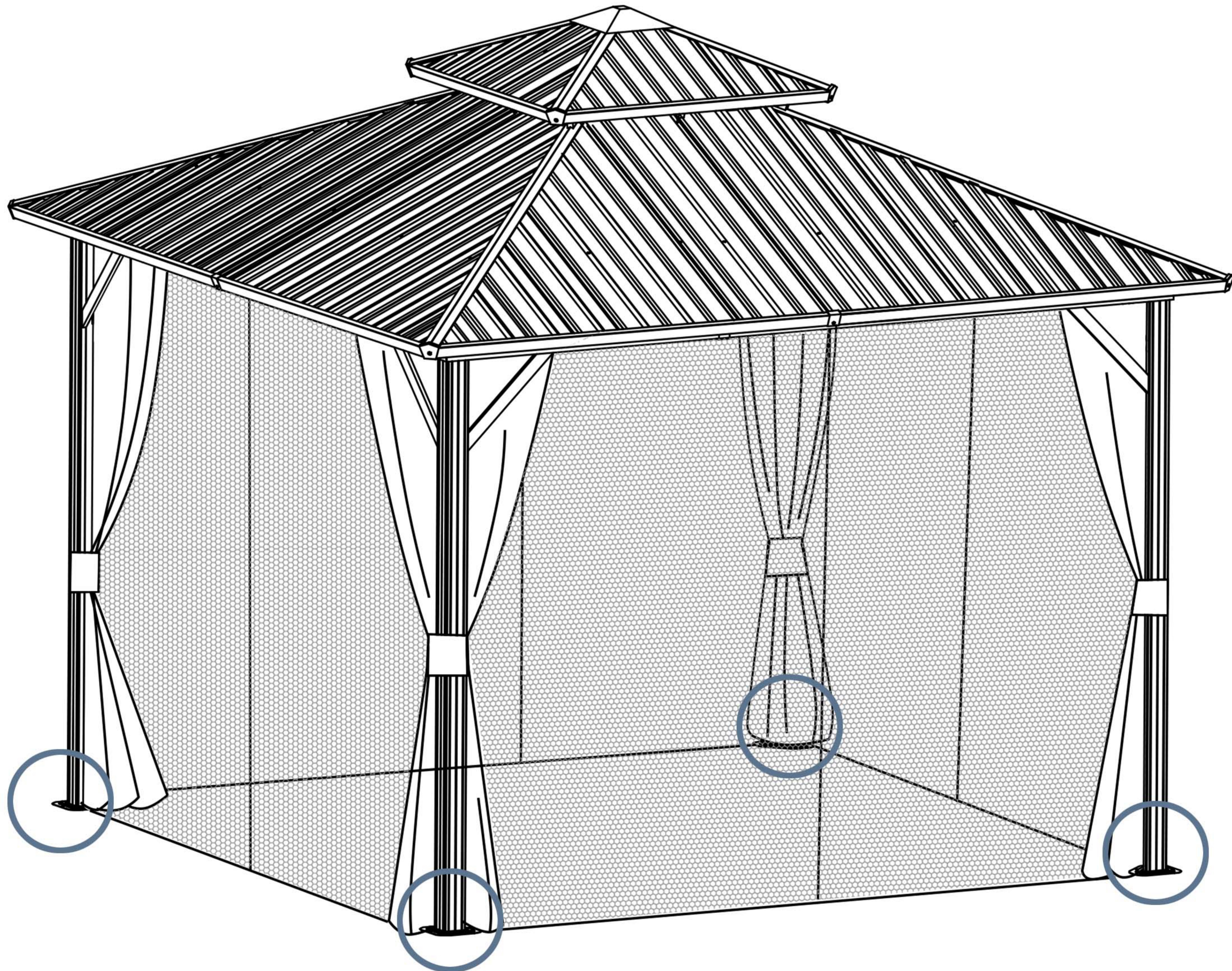
# STEP 21

Parts required

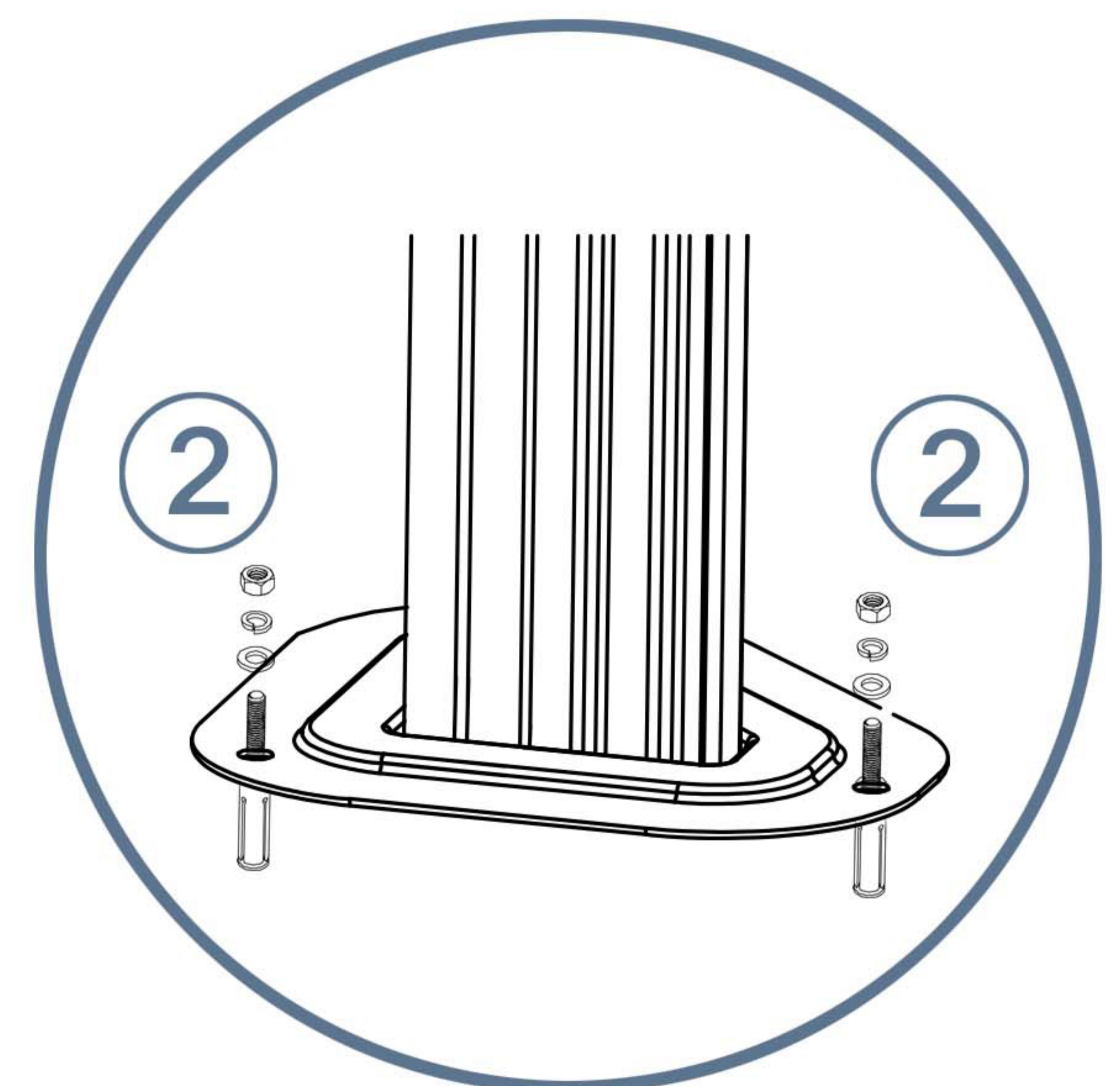


② 8pcs

To improve stability of gazebo, expansion screws very necessary. Expansion screws use for cement surfaces and have included in the package.



!!! For safety's stake, please check and make sure that all screws are tightened after all installation is complete.



## Installation Completed

Please take care of the screws and contact the after-sales service if there is any problem with the installation or parts.

➔ ✉ E-mail: [cs.helper01@gmail.com](mailto:cs.helper01@gmail.com)

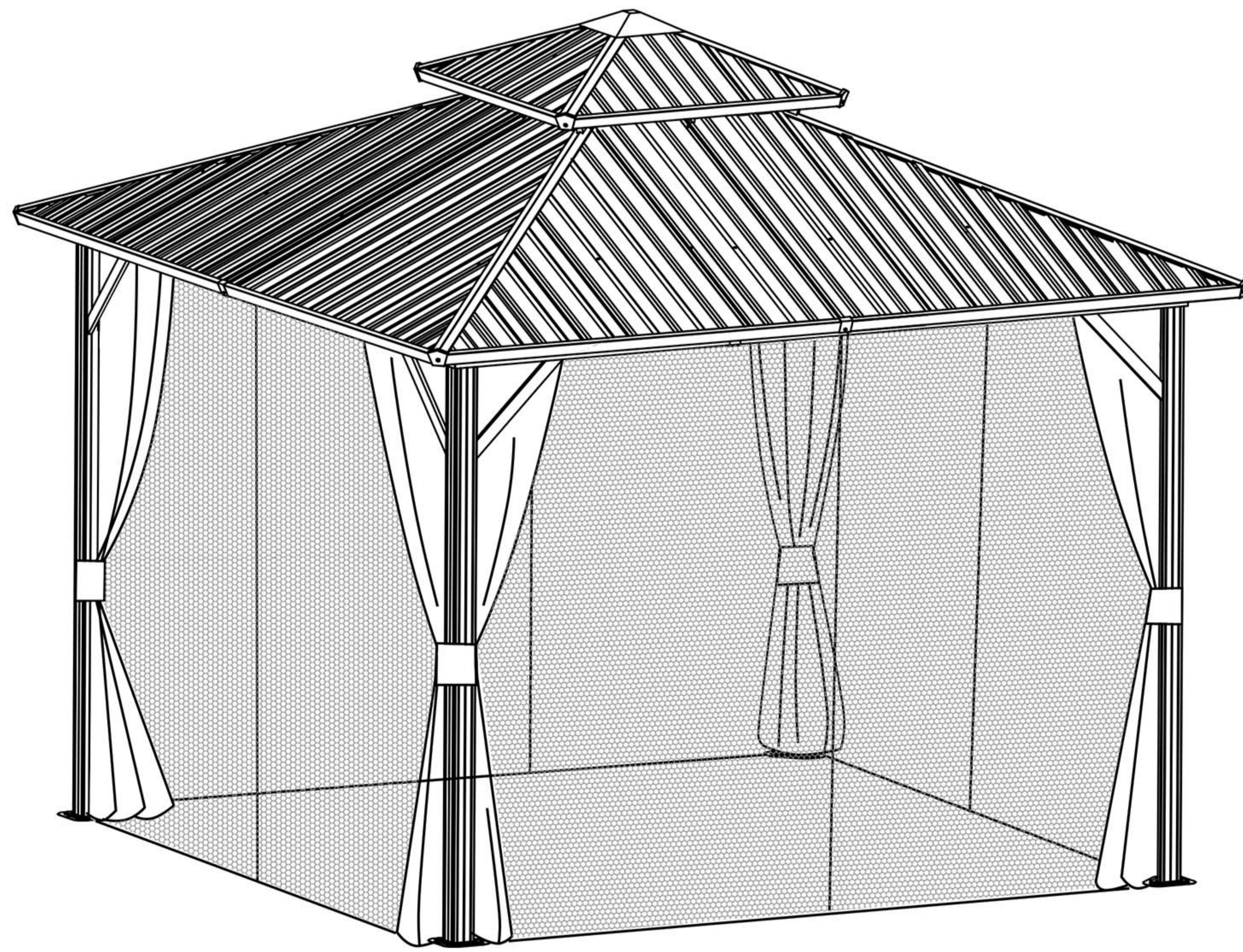
**Hope you enjoy this product.**

If you have any concerns about gazebo Installation, please feel free to contact us. We will reply within 24 hours.



E-mail: [cs.helper01@gmail.com](mailto:cs.helper01@gmail.com)

10X10FT



SKU:A001G029-1  
A001G029-2  
A001G029-3