

ASSEMBLY INSTRUCTIONS

QUEEN STORAGE BED

(Box 1) BOX OF HEADBOARD & FOOTBOARD

| No | ITEM | Qty |
|----|---------------------|-------|
| A | Headboard | 1 pc |
| B | Footboard | 1 pc |
| C | Headboard Leg (L/R) | 2 pcs |

(Box 2) BOX OF SIDE RAIL

| No | ITEM | Qty |
|----|-----------------------|-------|
| D | Side rail | 2 pcs |
| E | Center slat drawer | 1 pc |
| F | Bed slat | 3 pcs |
| G | Bed slat support | 5 pcs |
| H | Drawer slat support | 1 pc |
| I | Concealed panel | 5 pcs |
| J | Drawer support rail | 2 pcs |
| K | Bed slat with marking | 2 pcs |

(Box 1) HARDWARE LIST (HEADBOARD)

| No | ITEM | Qty |
|----|---------------------------------|-------|
| 1 | JCBC M6 x 30mm | 6 pcs |
| 2 | SPRING WASHER 1/4" Rbw | 6 pcs |
| 3 | Flat Washer 1/4"ID x 13mmOD Blk | 6 pcs |
| 4 | ALLEN KEY m4x65mm Blk | 1 pc |

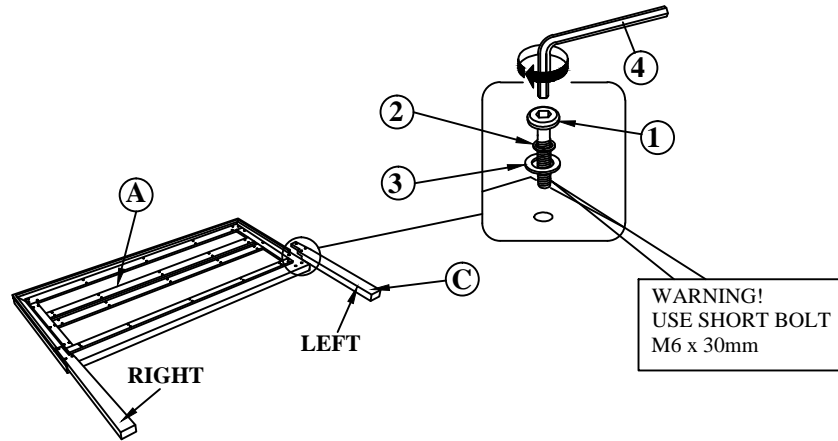
(Box 2) HARDWARE LIST (SIDE RAIL)

| No | ITEM | Qty |
|----|---------------------------------|--------|
| 5 | CSK M4 x 32mm | 14 pcs |
| 6 | Pan Head Screw M3.5 x 20 blk | 25 pcs |
| 7 | JCBC M6 x 35mm | 2 pcs |
| 8 | JCBC M6 x 50mm | 6 pcs |
| 9 | SPRING WASHER 1/4" Rbw | 2 pcs |
| 10 | Flat Washer 1/4"ID x 13mmOD Blk | 2 pcs |
| 11 | ALLEN KEY m4x65mm Blk | 1 pc |
| 12 | ALLEN KEY m5x65mm Blk | 1 pc |

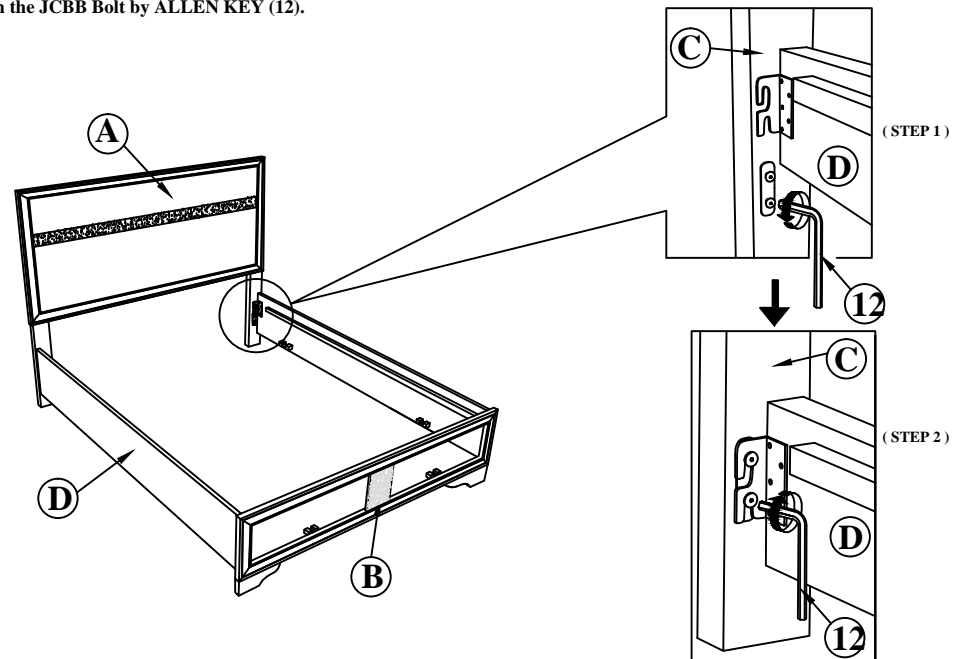
(Box 3) BOX OF DRAWER

| No | ITEM | Qty |
|----|--------|-------|
| L | Drawer | 2 pcs |

STEP 1 : Attach Head Board Leg (C) to Head Board (A) as shown using JCBC BOLT (1) with Spring Washer (2), Flat washer (3) and securing with ALLEN KEY (4).

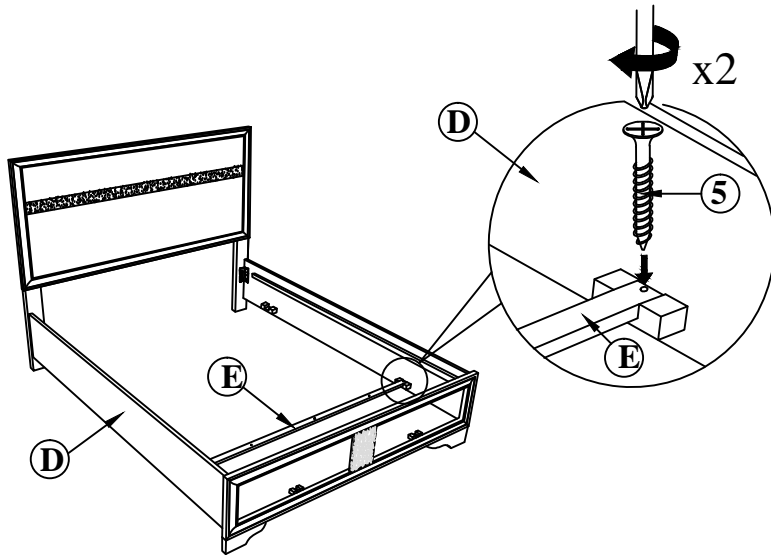


STEP 2 : Loosen the JCBB Bolt from Headboard (A) and Footboard (B) using ALLEN KEY (12). Attach the Side Rail (D) to Headboard (A) and Footboard (B) by pushing the bracket down to fit it. Tighten the JCBB Bolt by ALLEN KEY (12).

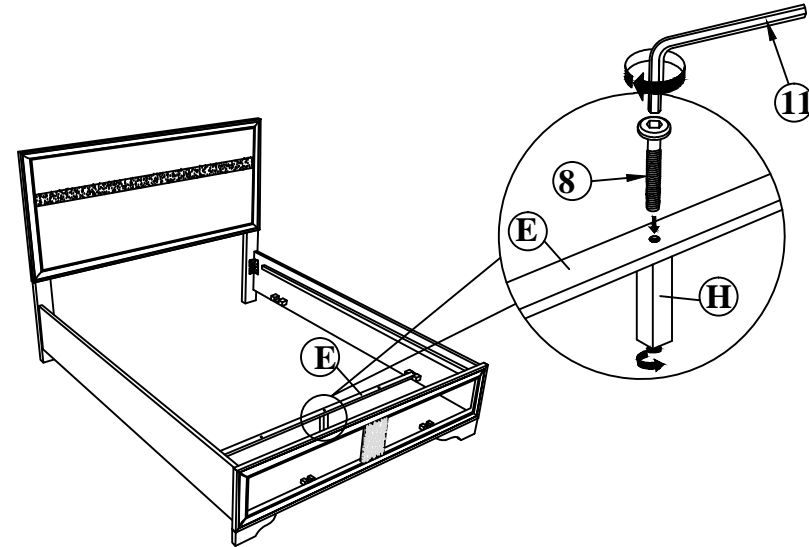


ASSEMBLY INSTRUCTIONS

STEP 3 : Attach the Center Slat Drawer (E) to Side Rail (D) as shown using CSK Screw (5) and tighten with Screw Driver.(Not Included)

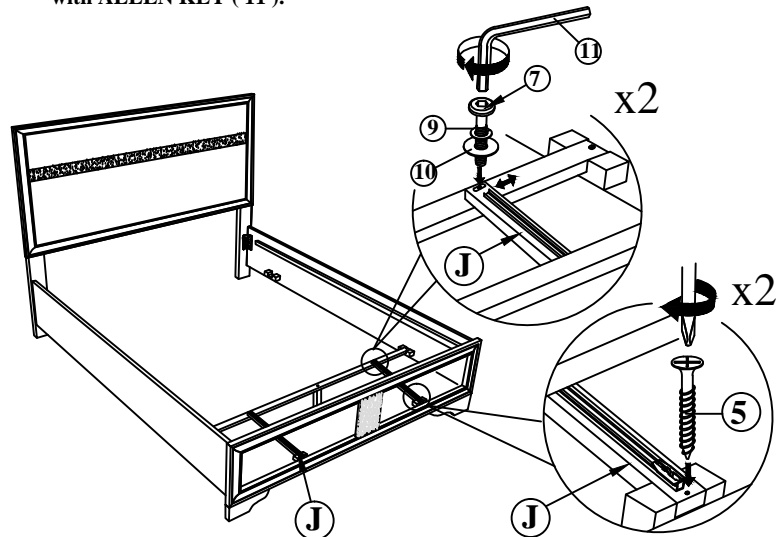


STEP 4 : Attach the Support Slat Drawer (H) to Center Slat Drawer (E) as shown using JCBC Bolt (8) and tighten with ALLEN KEY (11).



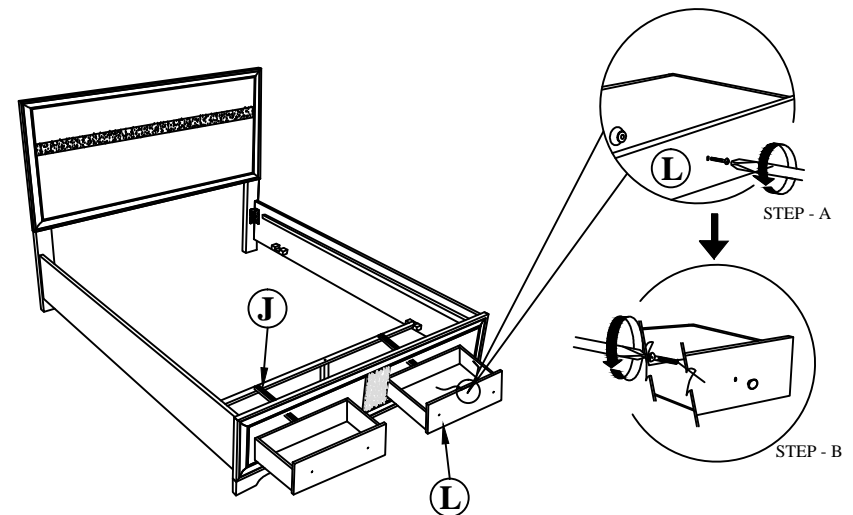
STEP 5 .1 : Attach the Drawer Support Rail (J) as shown using CSK Screw (5) and tighten with Screw Driver.(Not Included)

STEP 5 .2 : Using JCBC Bolt (7) with Spring Washer (9),Flat Washer (10) and securing with ALLEN KEY (11).



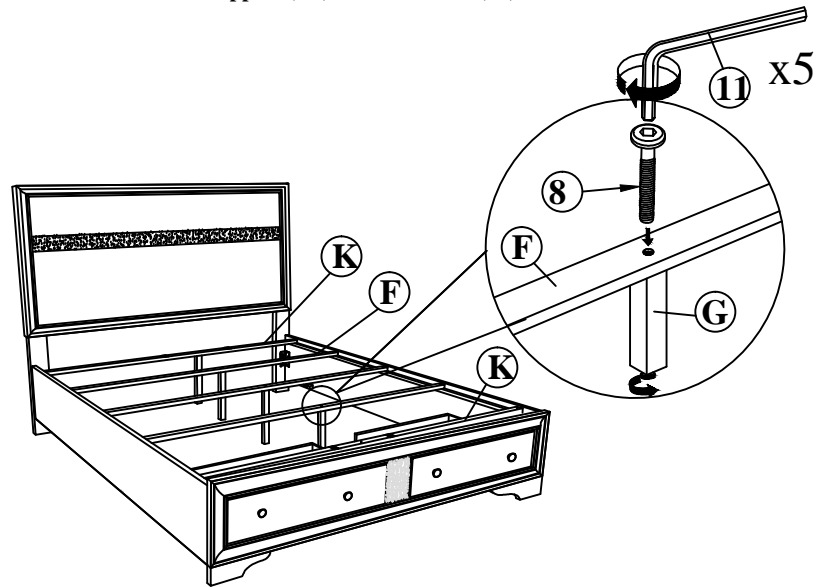
STEP 6 .1 : Insert the Drawer (L) at the Drawer Support Rail (J).

STEP 6 .2 : Remove HANDLE and using a Philips head screw driver as shown

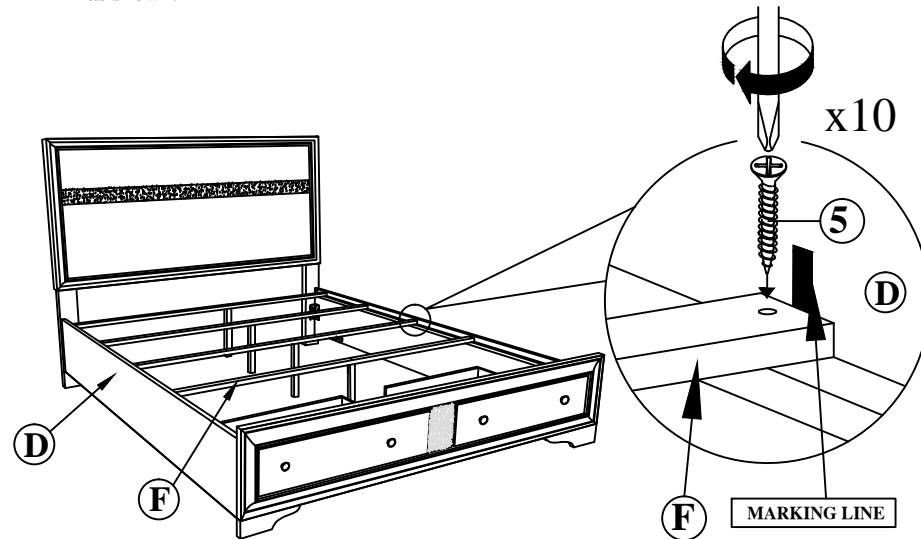


ASSEMBLY INSTRUCTIONS

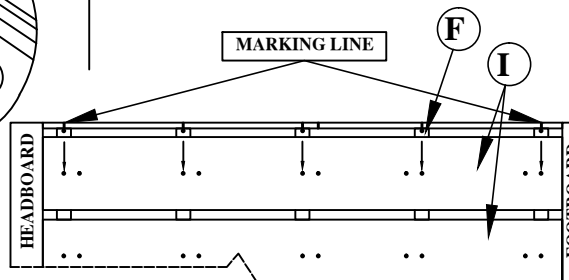
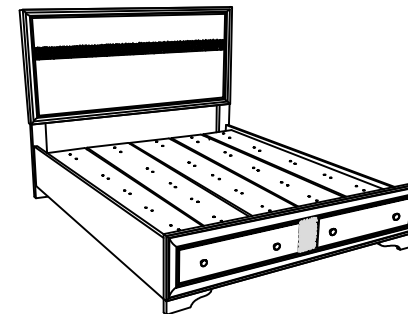
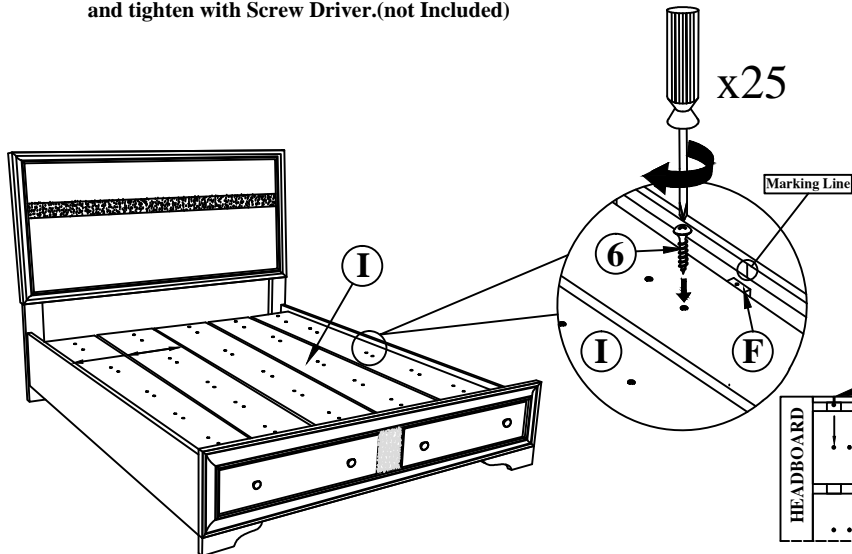
STEP 7 : Fix the Bed Slat Support (G) to the Bed Slat (F) as shown.



STEP 8 : Fix the Bed Slat (F) by push closely to the Side Rail (D) by using SCK Screw (5) as shown.



STEP 9: Attach Concealed Panel (I) at the upper Bed Slat (F) using Panhead Screw (6) and tighten with Screw Driver.(not Included)



COMPLETED ASSEMBLY

**TIGHTEN THE PANHEAD SCREW (6)
BY FOLLOW THE ARROW AS SHOWN**