

ASSEMBLY INSTRUCTIONS



BAR TABLE

ASSEMBLY INSTRUCTIONS

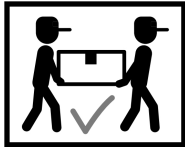
ASSEMBLY TIPS:

1. Remove hardware from box and sort by size.
2. Please check to see that all hardware and parts are present prior to start of assembly.
3. Please follow attached instructions in the same sequence as numbered to assure fast & easy assembly.



WARNING!

1. Don't attempt to repair or modify parts that are broken or defective. Please contact the store immediately.
2. This product is for home use only and not intended for commercial establishments.

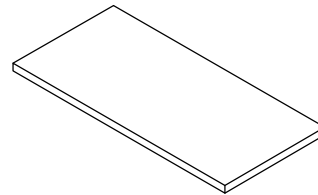


ASSEMBLY TIME 40 MINUTES

PARTS IDENTIFICATION

A

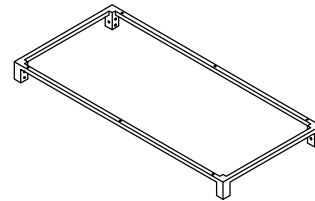
TOP PANEL



1PC

B

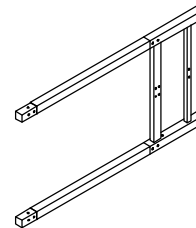
TOP FRAME



1PC

C

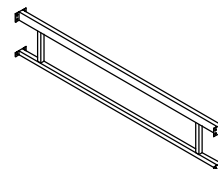
SIDE FRAME



2PCS

D

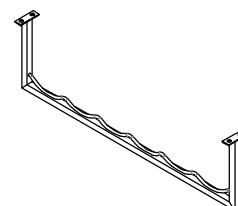
BOTTOM FRAME



1PC

E

BOTTLE RACK



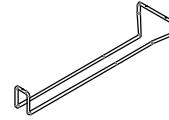
2PCS

ASSEMBLY INSTRUCTIONS

PARTS IDENTIFICATION

F

GLASS HOLDER



2PCS

Z

HARDWARE IDENTIFICATION

1

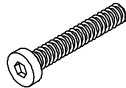
SHORT BOLT
(1/4" x 12mm SR)



20PCS

2

LONG BOLT
(1/4" x 35mm SR)



18PCS

3

SMALL BOLT
(3/16" x 12mm SR)



4PCS

4

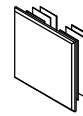
LONG SCREW



2PCS

5

CAP



4PCS

6

COVER



36PCS

7

LONG PLASTIC
WASHER



2PCS

8

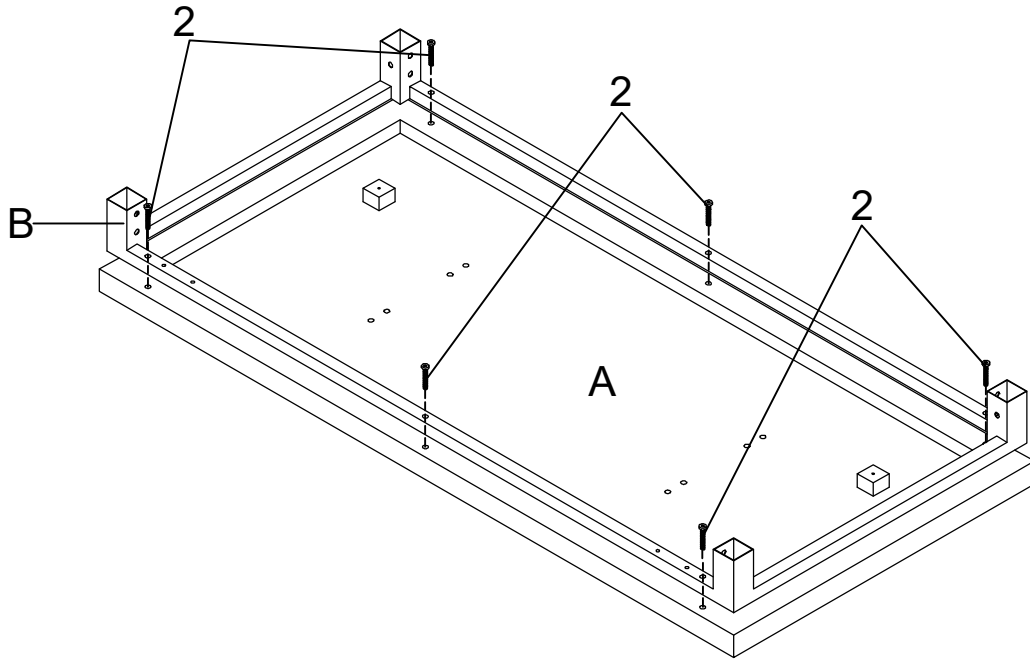
ALLEN WRENCH
(4mm)



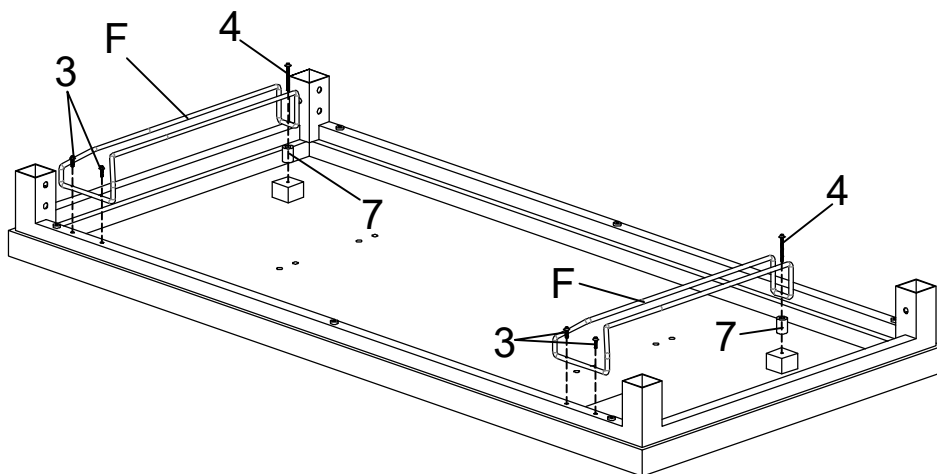
1PC

ASSEMBLY INSTRUCTIONS

STEP 1 Do not tighten until each step is completed or instructed.

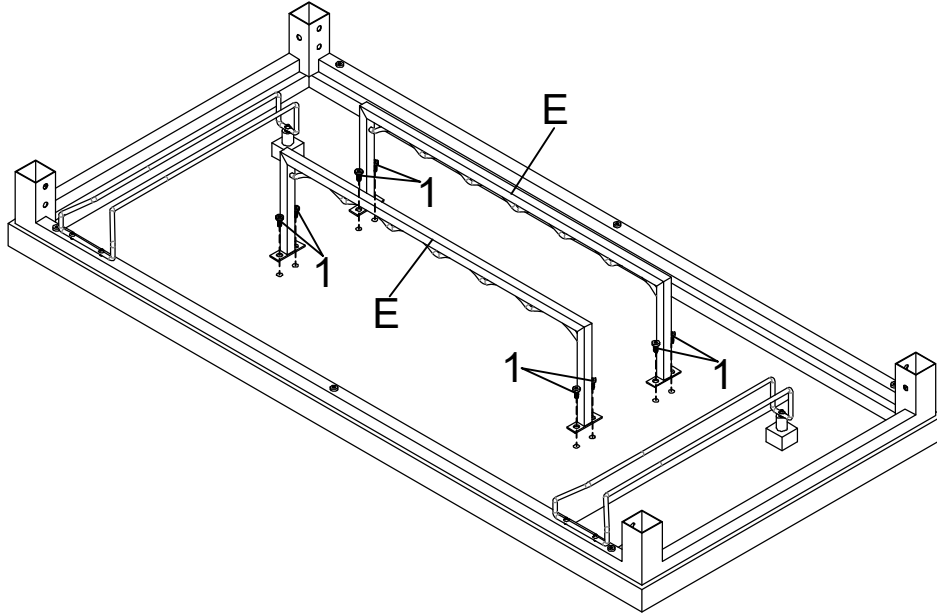


STEP 2

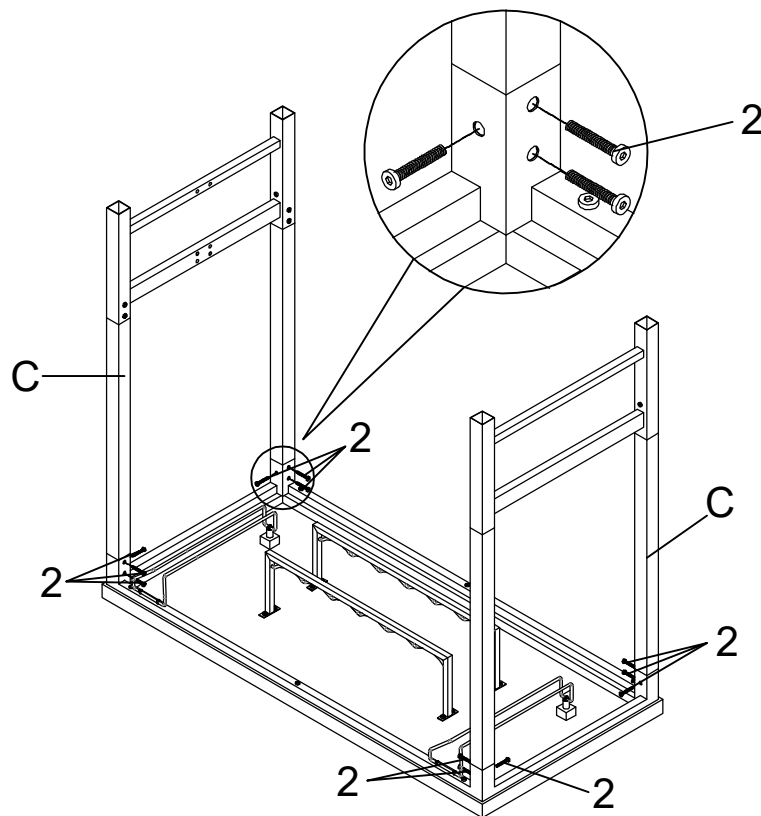


ASSEMBLY INSTRUCTIONS

STEP 3

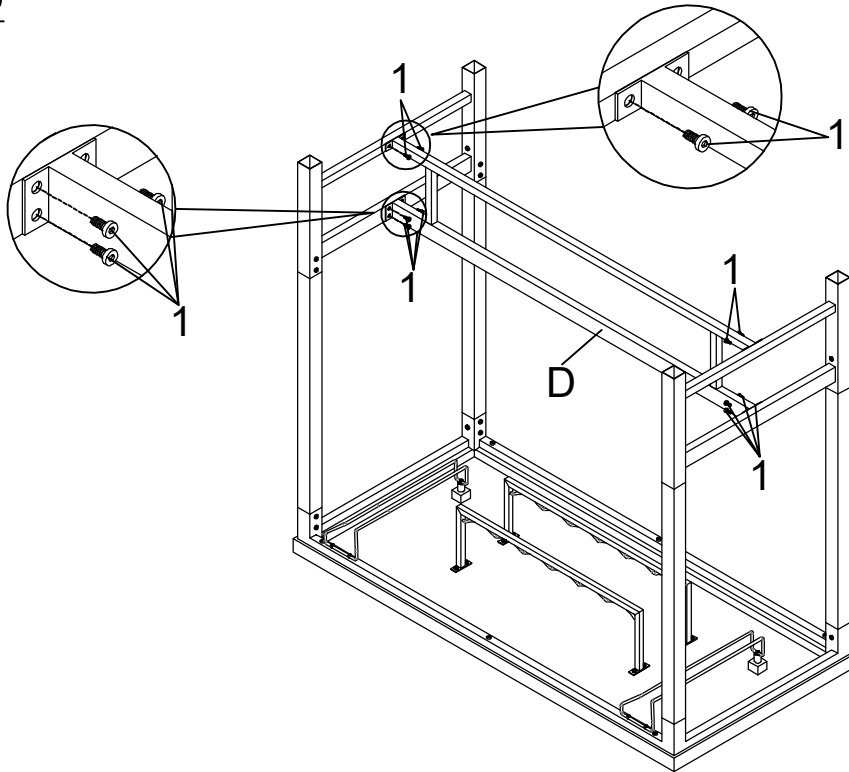


STEP 4

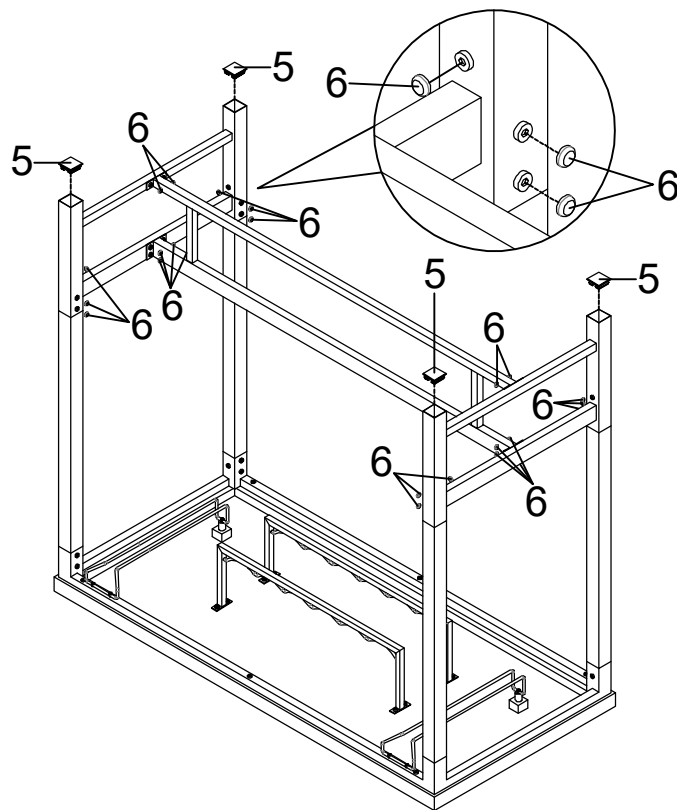


ASSEMBLY INSTRUCTIONS

STEP 5

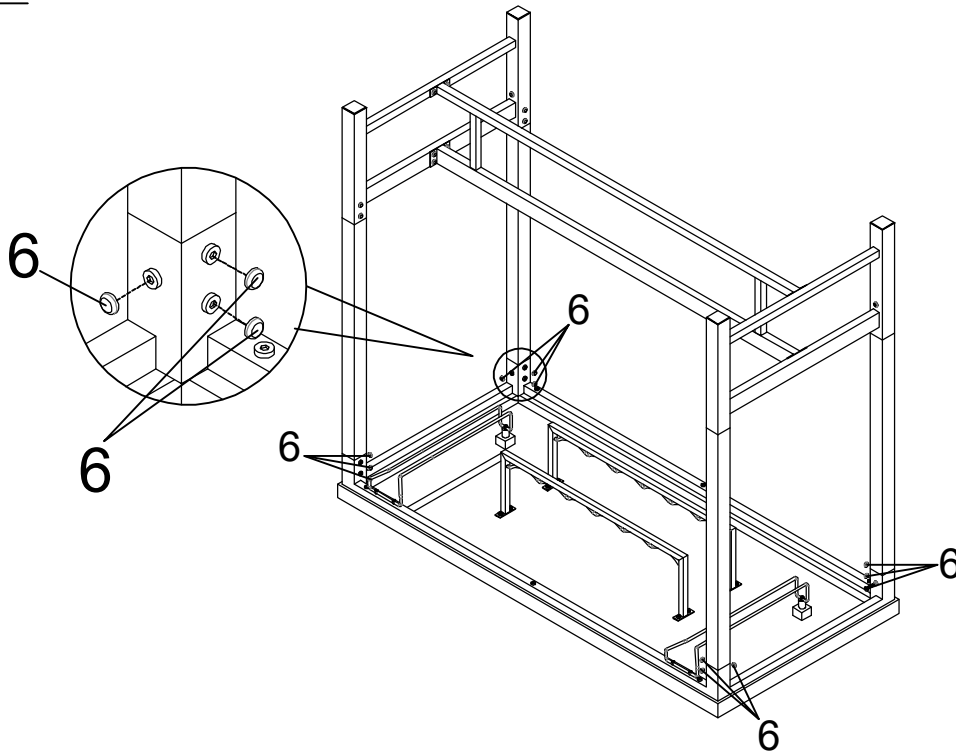


STEP 6



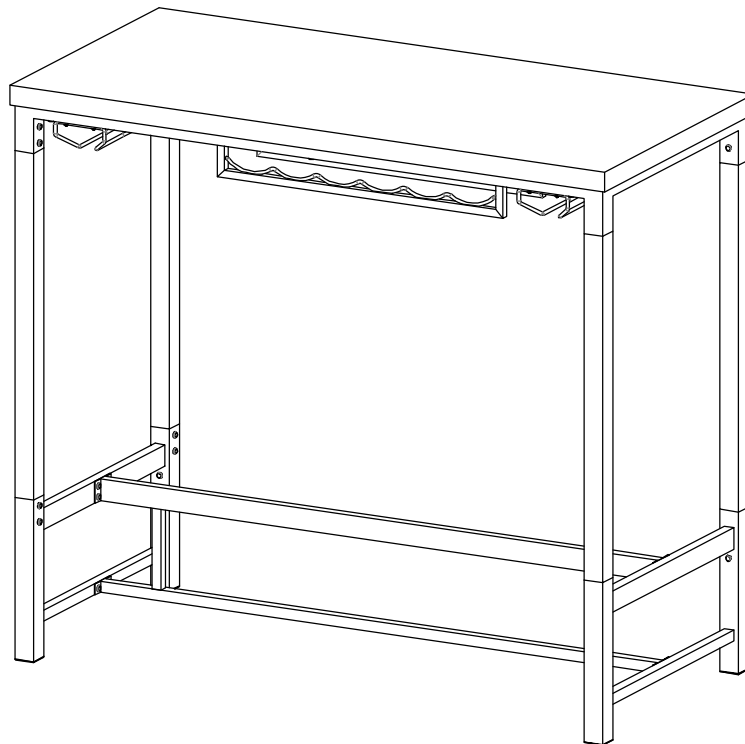
ASSEMBLY INSTRUCTIONS

STEP 7

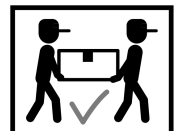


STEP 8

COMPLETE



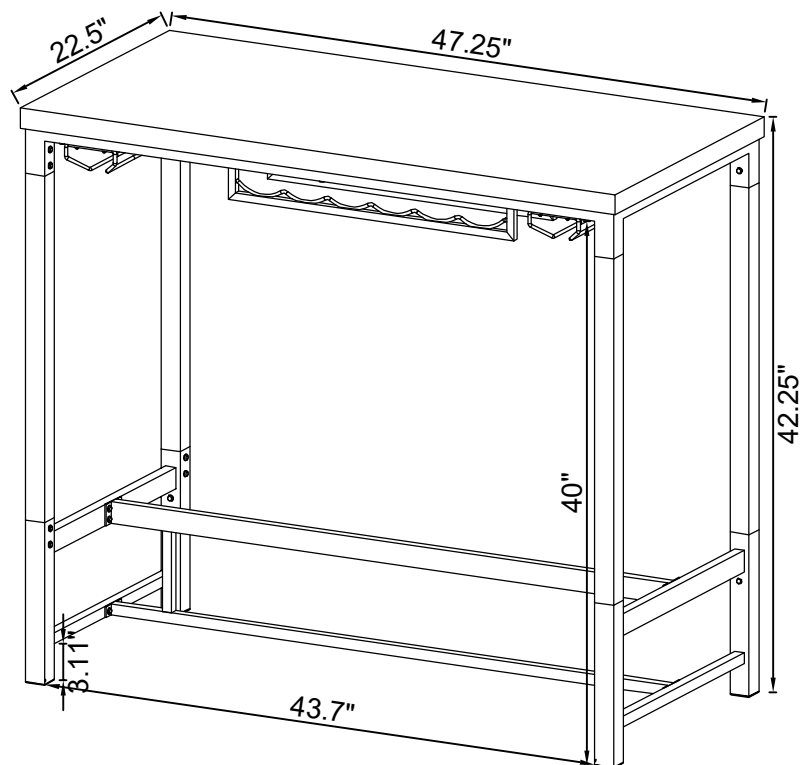
How to clean Acrylic product:
Using a dry soft microfiber cloth, lightly brush off any dust.
For additional care, dampen the cloth with warm water.
For deepest cleaning, use an Acrylic cleaner.



ASSEMBLY INSTRUCTIONS

Product Size : 1200 X 572 X 1073 H (MM)

Product Size : 47.25" X 22.5" X 42.25"



Note : Dimension tolerance $\pm 5\%$