

Esefera Small Bath/Wall

KWWS19927_, KWBA20027_ | 1.0

VISUAL COMFORT & Co.

MODERN COLLECTION

GENERAL PRODUCT INFORMATION:

These fixtures are intended to be installed utilizing NEC compliant junction boxes.

This product is safety listed for damp locations.

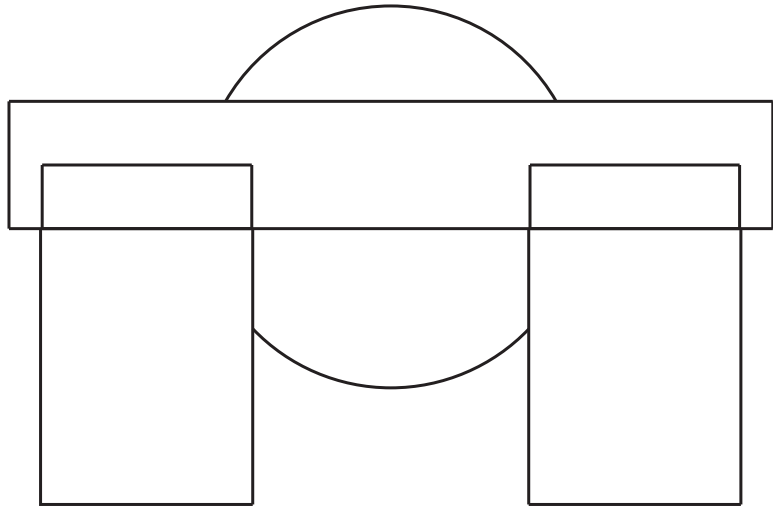
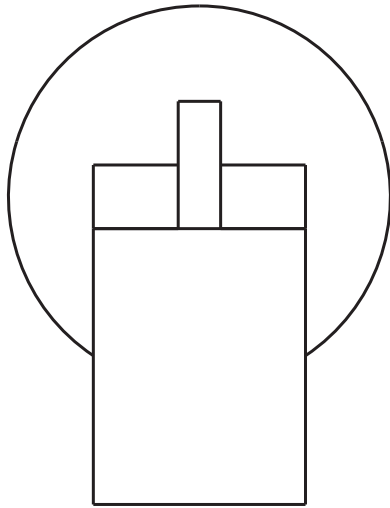
Refer to the product specsheet for dimming information.

This instruction shows a typical installation.



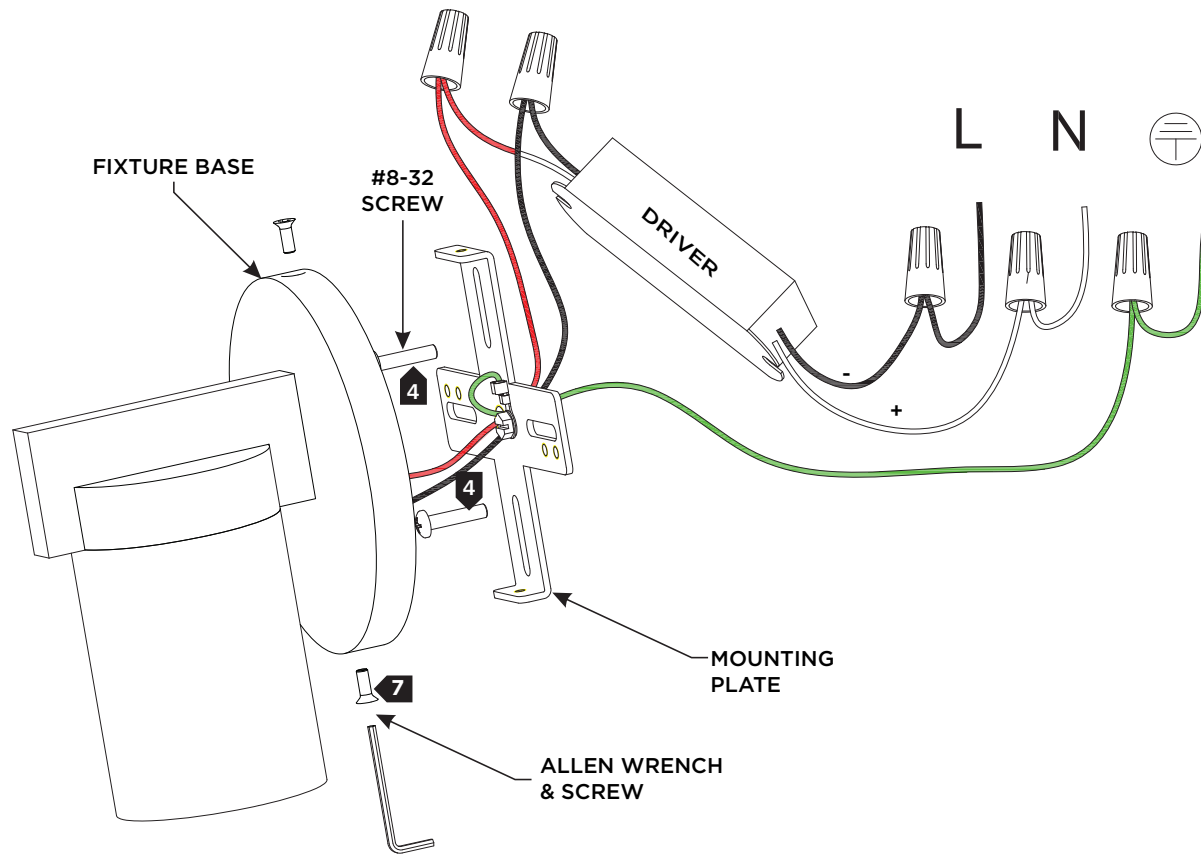
CAUTION - RISK OF FIRE
This product must be installed in accordance with the applicable installation code by a person familiar with the construction and operation of the product and the hazards involved.
Use minimum 90°C supply conductors.

SAVE THESE INSTRUCTIONS!



Install the Fixture

1A



- 1 Connect the fixture to a suitable ground in accordance with local electrical codes.
- 2 Connect the white input driver wire to the neutral power line with a wire nut.
- 3 Connect the black input driver wire to the hot power line with a wire nut.
- 4 Properly place the driver/wire nut connections into the junction box and install the mounting plate to the junction box with the two provided #8-32 screws.
- 5 Connect the negative (-) fixture wire to the negative (-) driver output wire with a wire nut.
- 6 Connect the positive (+) fixture wire to the positive (+) driver output wire with a wire nut.
- 7 Properly place the driver, all wires and wire nut connections into the junction box, install the fixture base onto the mounting plate, and secure it place with the Allen screws using the provided Allen wrench.