

Thank you for choosing a **Palace Imports** product.

Your complete satisfaction is our top priority.

Customer Service and Warranty Information

- **For Warranty Assistance:**

If you experience any issues or require additional information regarding your warranty, please do not contact the place of purchase. Instead, reach out directly to our Customer Service Team at info@palaceimportsinc.com or visit our website at www.palaceimportsinc.com for prompt support.

- **Warranty Coverage:**

PALACE IMPORTS warrants its products to the original purchaser against defects in materials or workmanship. A defect is defined as any flaw that impairs the normal use of the product. This warranty is limited to the replacement of defective parts or components and is valid for one (1) year from the date of purchase.

- **Warranty Limitations:**

This warranty covers products used under normal household conditions. It does not apply to furniture used outdoors or damage resulting from improper assembly or disassembly, product modification, intentional damage, accidents, misuse, exposure to elements, or any labor or assembly costs.

- **Additional Terms:**

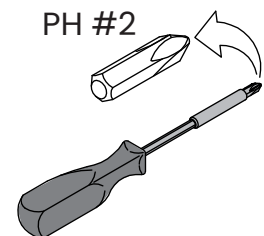
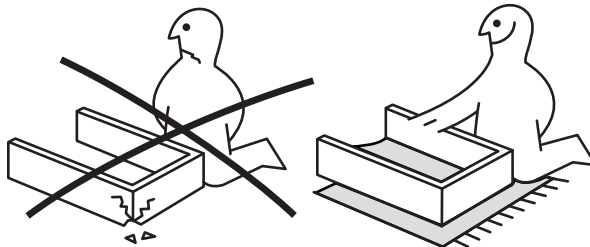
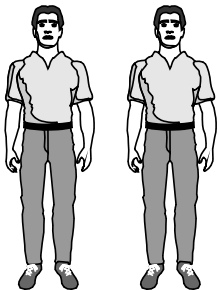
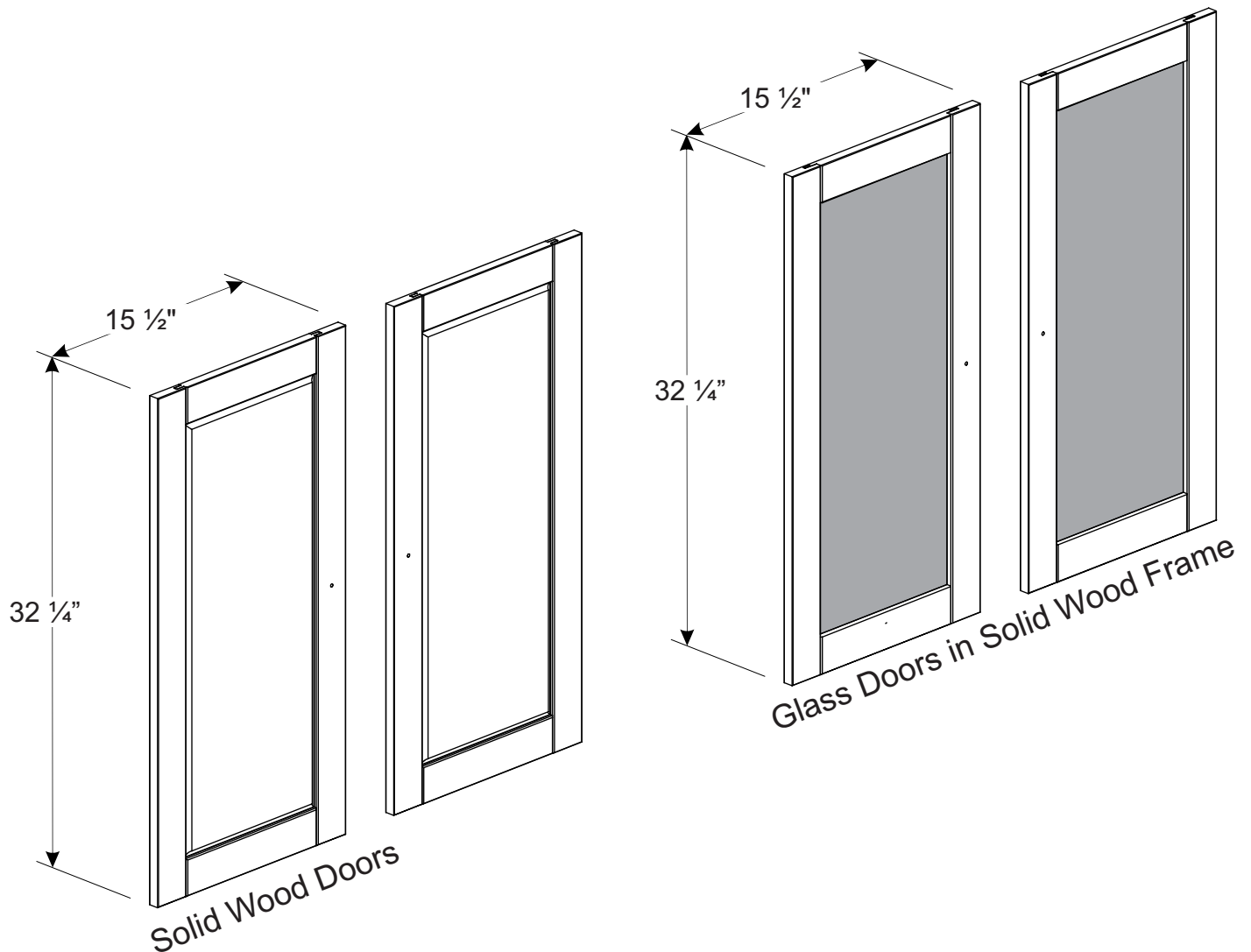
PALACE IMPORTS reserves the right to require proof of purchase to process any warranty claim. We are not liable for any incidental or consequential damages arising from the misuse of our products.



ASSEMBLY GUIDE

2 SHAKER DOORS, 2 SOLID WOOD DOORS, 2 CLEAR GLASS DOORS, 2 FROSTED GLASS DOORS

SKU 3011 / 9021 / 9041 / 9061 - White
SKU 3013 / 9023 / 9043 / 9063 - Mocha
SKU 3015 / 9025 / 9045 / 9065 - Gray
SKU 3017 / 9027 / 9047 / 9067 - Black
SKU 3018 / 9028 / 9048 / 9068 - Teal
SKU 301-10 / 902-10 / 904-10 / 906-10 - Yellow
SKU 301-11 / 902-11 / 904-11 / 906-11 - Aqua
SKU 301-12 / 902-12 / 904-12 / 906-12 - Green
SKU 301-13 / 902-13 / 904-13 / 906-13 - Sage
SKU 301-14 / 902-14 / 904-14 / 906-14 - Beige
SKU 301-15 / 902-15 / 904-15 / 906-15 - Navy Blue
SKU 301-16 / 902-16 / 904-16 / 906-16 - Antique Blue



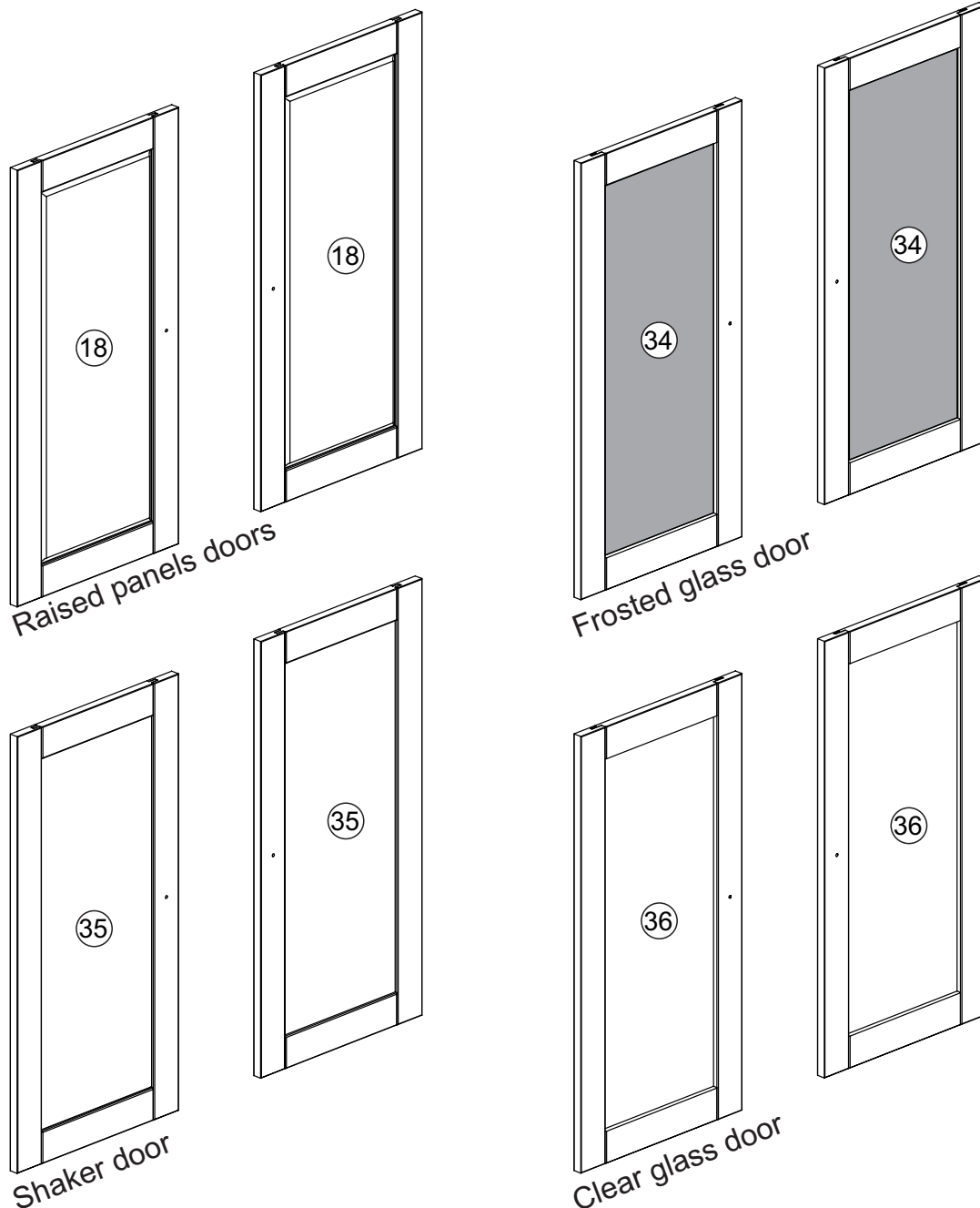
Before You Begin Assembly

- Carefully inspect the package contents. A complete parts checklist is provided below.
- If any parts are missing or damaged, please contact us at info@palaceimportsinc.com for assistance.

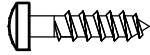
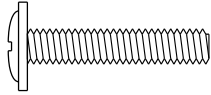
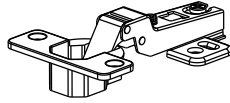

Assembly Tips

- Assemble the item on a flat, smooth surface. We recommend placing a blanket or protective covering underneath to prevent scratches.
- Use a power drill **only at a low-speed setting** to avoid damaging components.
- Assemble the product as close as possible to its final location to minimize the need for moving it later.
- Important: The hardware pack contains small parts that may pose a choking hazard.
Keep all small items out of reach of young children.

PARTS LAYOUT



Screws Are Illustrated at Actual Size for Accurate Reference

A44	 3,5x14	16+1
A25	 M4x25	02+1
F10		04
H4		02



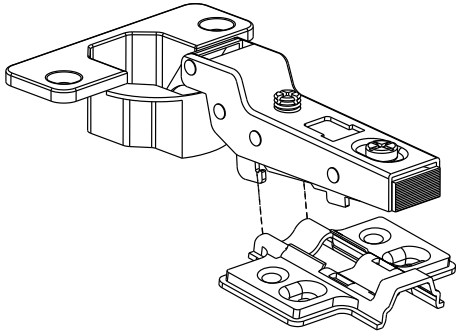
**WARNING:
CHOKING HAZARD**

Contains small parts - choking hazard.
Adult supervision is required during assembly.
Not suitable for children under 3 years of age.

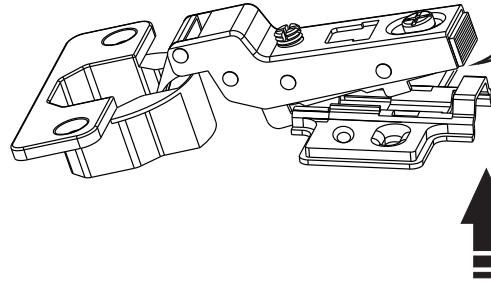
01)

If the hinge (F10) is detached, attach it to the hinge plate by aligning and pushing it in until it clicks securely into place.

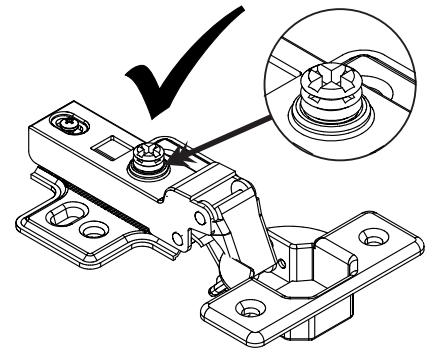
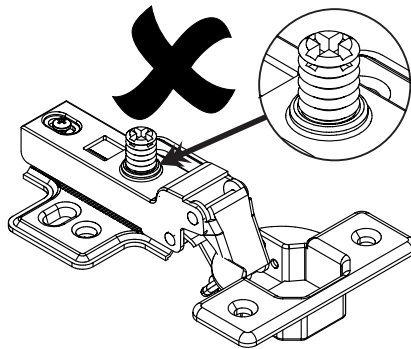
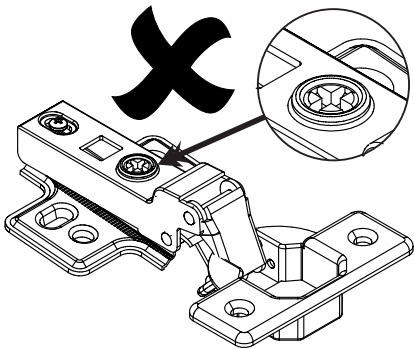
click!



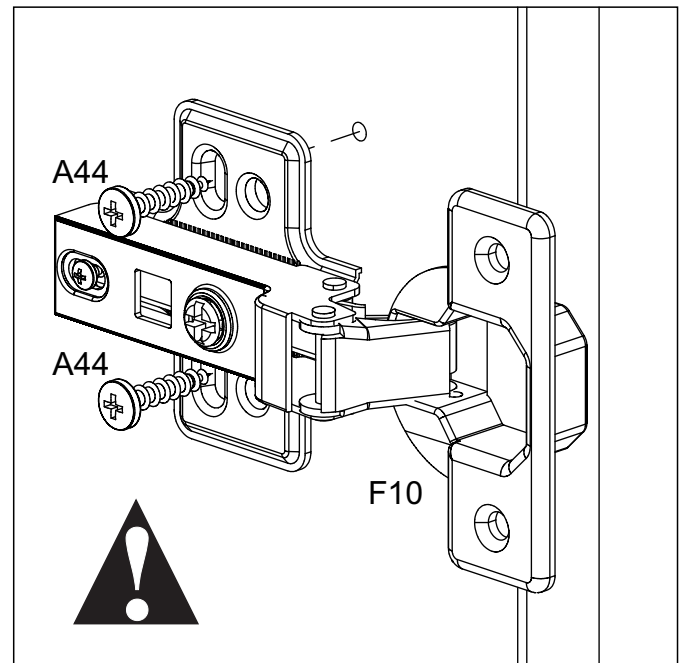
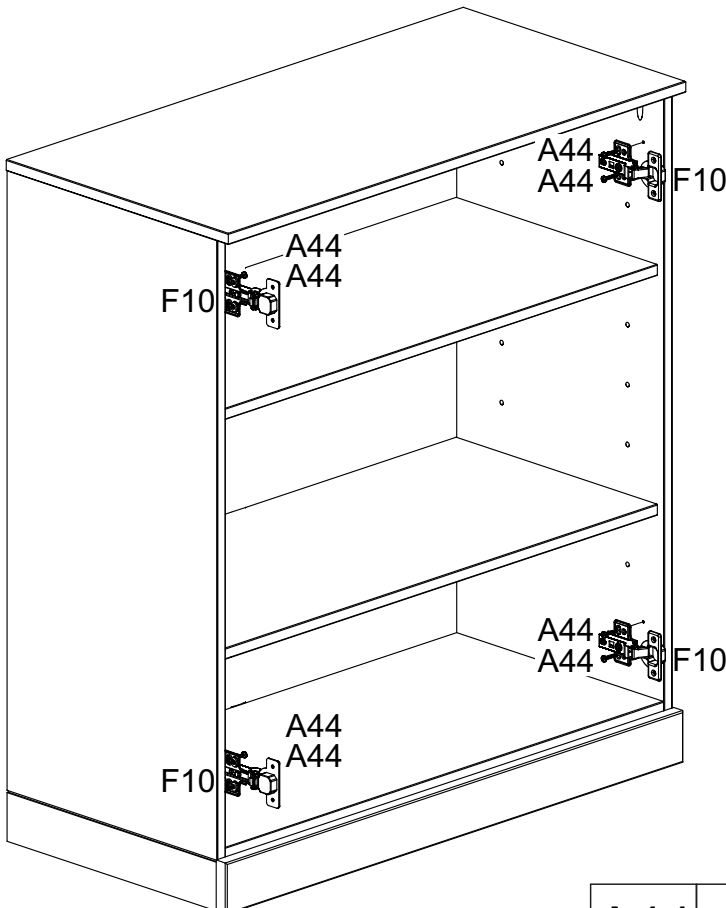
F10



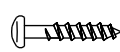
Set the adjustment screw to the midpoint height position before installing the hinges



02)



A44



3,5x14

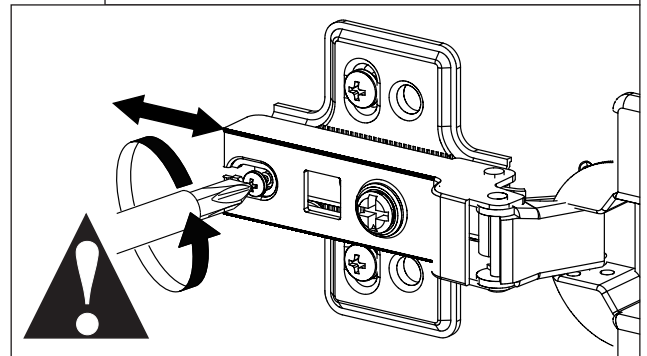
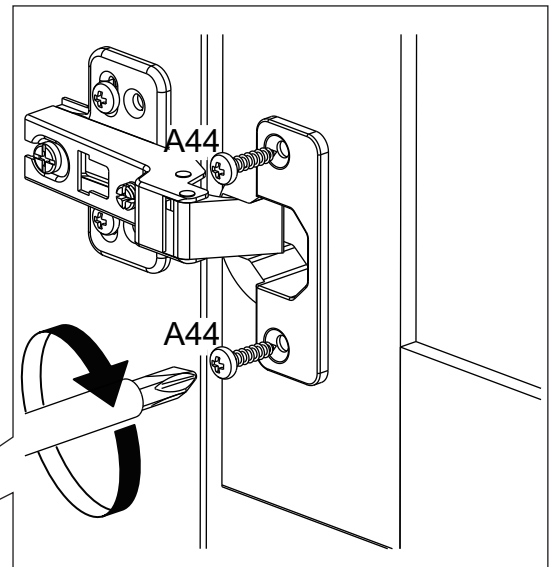
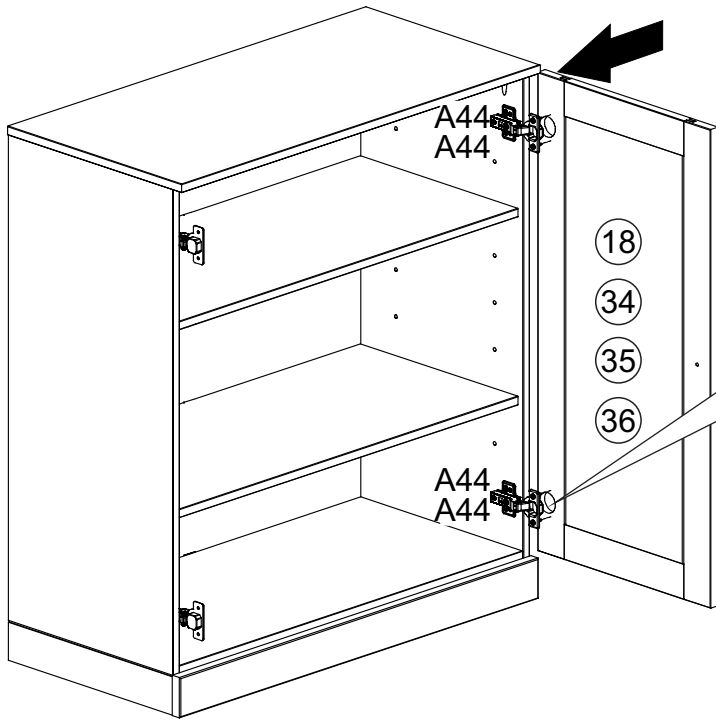
08

F10



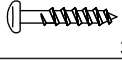
04

03)



You may need to adjust the hinges (F10) before installing the door

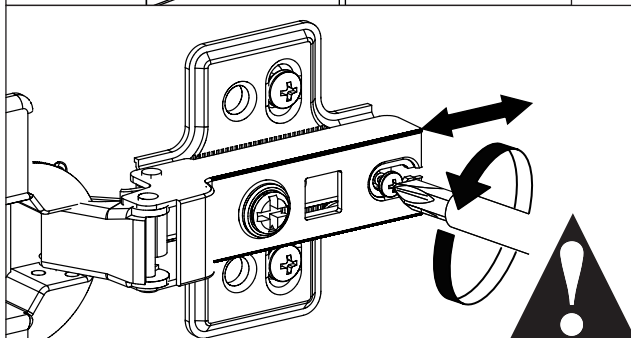
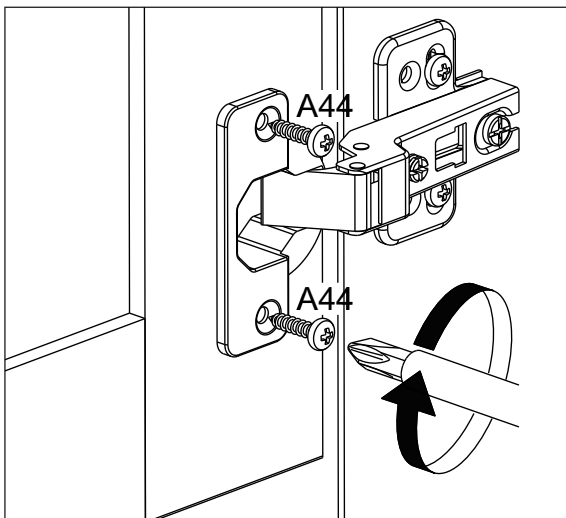
A44



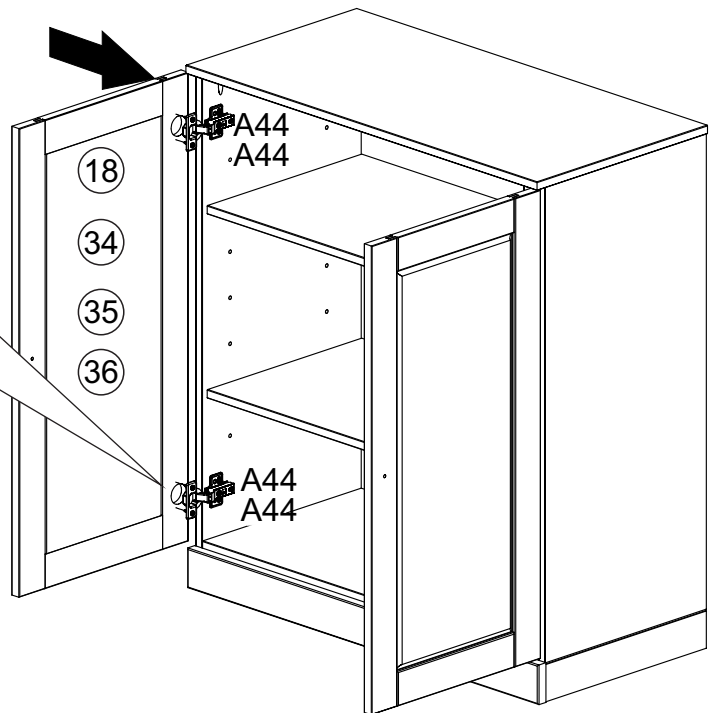
3,5x14

04

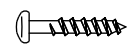
04)



You may need to adjust the hinges (F10) before installing the door



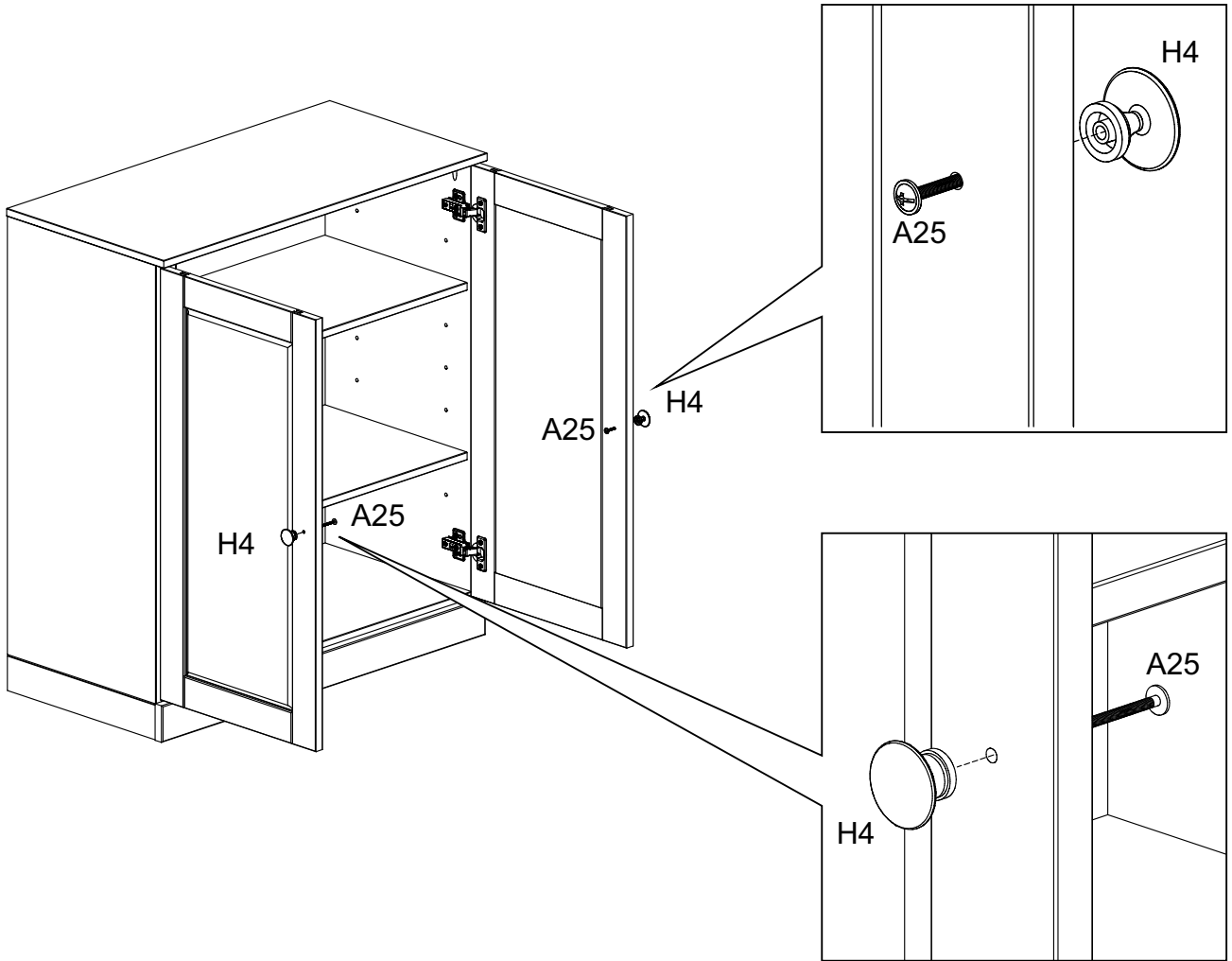
A44



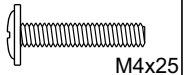
3,5x14

04

05)



A25



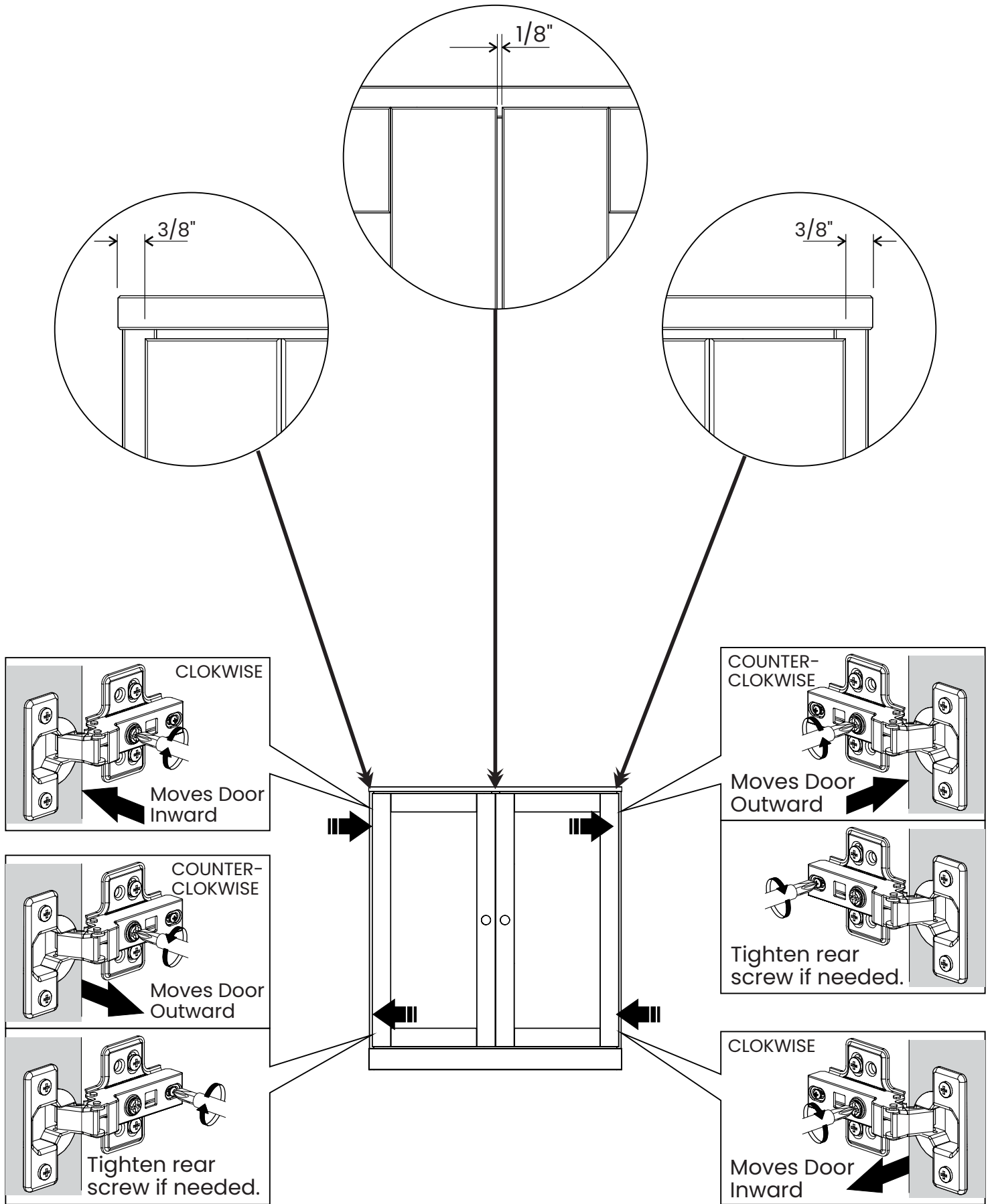
02

H4

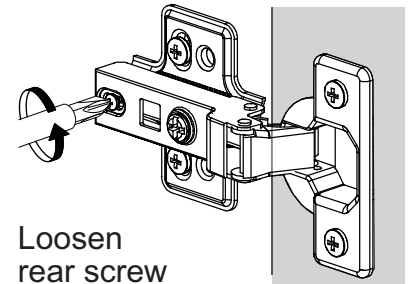
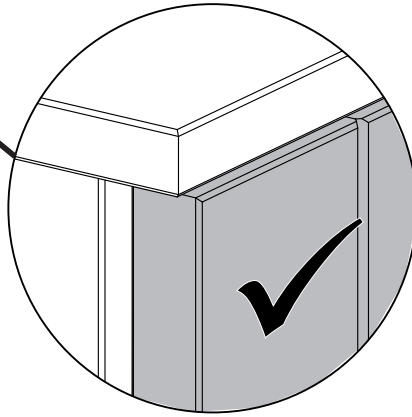
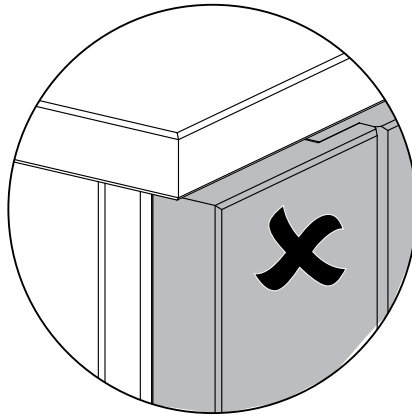
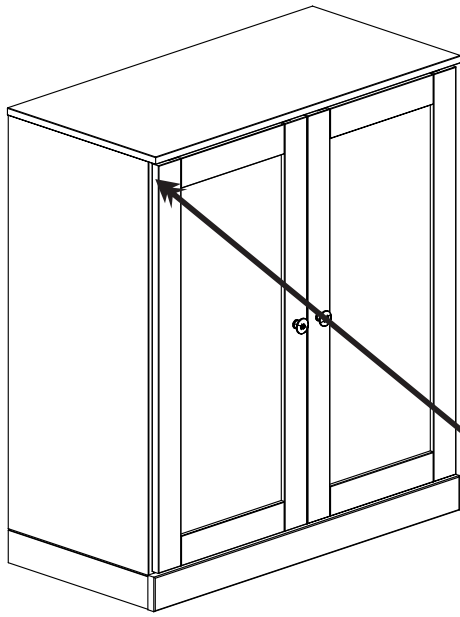


02

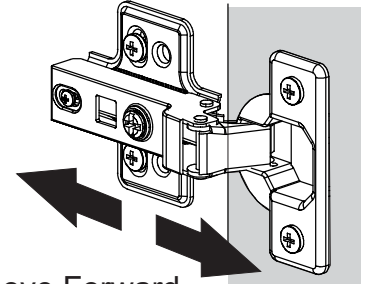
06) Adjusting Misaligned Doors



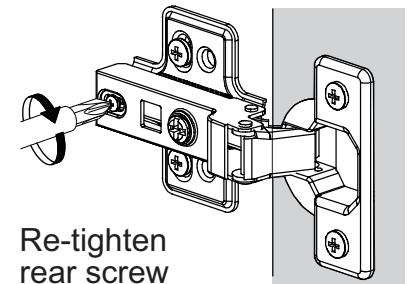
07) Aligning Doors with Side Panels



Loosen rear screw

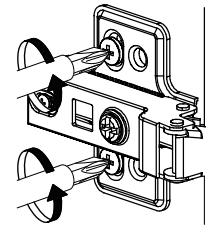
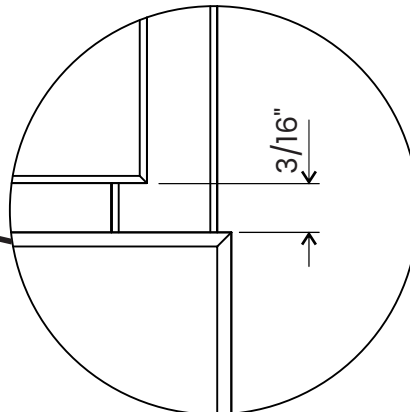
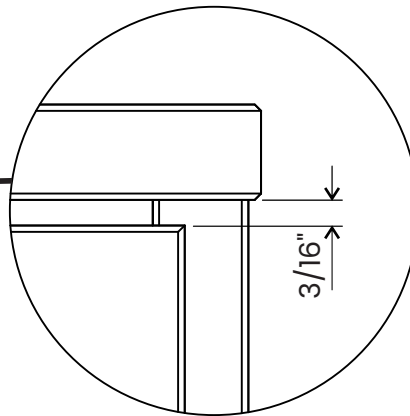
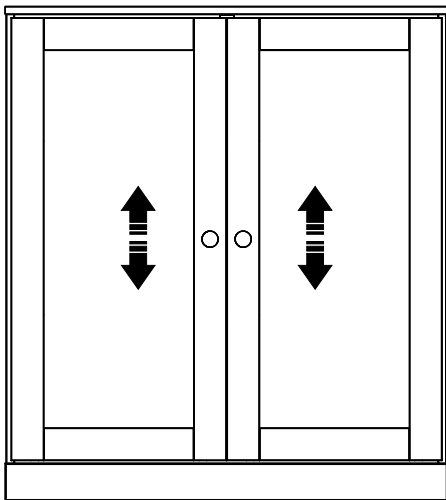


Move Forward or Backward

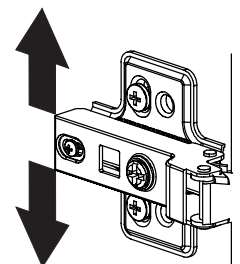


Re-tighten rear screw

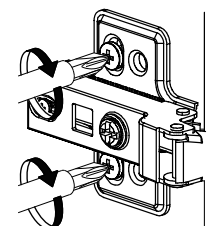
08) Aligning Doors with the Top



Loosen top and bottom screw on all hinges.



Adjust Height: Move Up or Down



Re-tighten screws on all hinges.