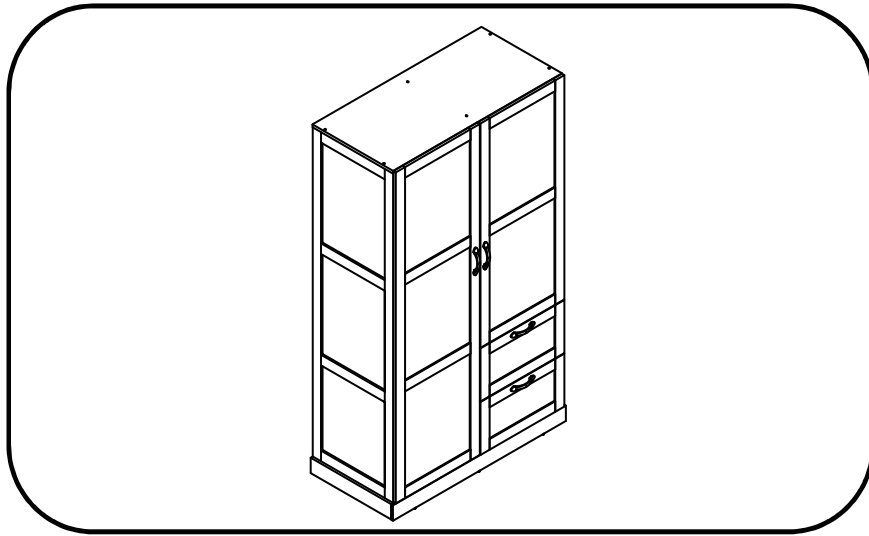


# Traditional Storage Kitchen Cabinet



## Assembly Instructions

Product Dimensions:  
39.76"L×19.69"D×70.87"H

Please take a moment to read through the entire instruction booklet before assembly to familiarize yourself with this product. Once you feel ready to start, follow the instructions step by step and this should make this process as easy as we could make it for you.

If you need help or have damaged or missing parts, contact customer service at

# WARNING CAUTION

## ADULT ASSEMBLY REQUIRED CHOKING HAZARD

- This product includes small parts, sharp points and sharp edges in its unassembled state. Keep unassembled parts away from children under 3 years of age, and animals.

## SAFETY WARNINGS

- Follow the information on the warnings appearing on table and on the carton. Do not remove warning label from cabinet.
- Do not allow children under 3 years of age to use the cabinet.
- Do not use substitute parts. Contact the manufacturer or dealer for replacement parts.

## FURNITURE TIP-OVER HAZARD

### Children have died from furniture tip-over

To reduce the risk of furniture tip-over:

- ALWAYS install tip-over restraint especially if used by a wall or in the open.
- NEVER put a TV on this product
- NEVER allow children to stand, climb or hang on drawers, doors, or shelves.
- NEVER open more than one drawer at a time.
- ALWAYS place heaviest items in lowest cabinet.

## PARENTAL SUPERVISION IS REQUIRED

- Parents or Guardians should supervise use under the intended age specifically regarding children that may have access to it and climb on the unit.
- Do not allow horseplay on, under, or behind the unit and prohibit jumping on the cabinet.
- If used improperly, your table may be pulled over or fall, creating risk of injury or damage. Children should not be permitted to climb or pull on the cabinet.

## USE, MAINTENANCE & ASSEMBLY

- Periodically check and ensure that the components are in their proper position, free from damage, and that all connectors are tight.
- Use on level surfaces only. Assemble on a soft level surface to avoid damage to unit or floor.
- Do not use this item if any components are missing or damaged.
- Do not use substitute parts. Contact the manufacturer or dealer for replacement parts.
- Only clean using damp cloth and mild detergent, do not use bleach or abrasive cleaners.
- Check you have all components and tools listed on page 4
- Do not stand or put weight on this product during assembly, this could cause damage.
- Remove all hardware from the plastic bags and separate them into groups.
- Assemble the item as close to its final position (in the same room) as possible.
- Certain assembly steps may be easier with 2 people.
- Dispose of all packaging carefully and responsibly.
- We do not recommend power screwdrivers. Only use hand screwdrivers to prevent damage to unit.
- Keep these instructions for future reference.

### Enfants morts suite au basculement d'un meuble.

Afin de limiter le risque de basculement de meuble:

- TOUJOURS utiliser les fixations anti-basculement.
- NE JAMAIS installer de TV sur ce produit.
- NE JAMAIS laisser d'enfants se tenir debout sur les tiroirs, portes ou étagères, y grimper ou s'y suspendre.
- NE JAMAIS ouvrir plus d'un tiroir à la fois.
- TOUJOURS placer les choses les plus lourdes dans les tiroirs du bas.

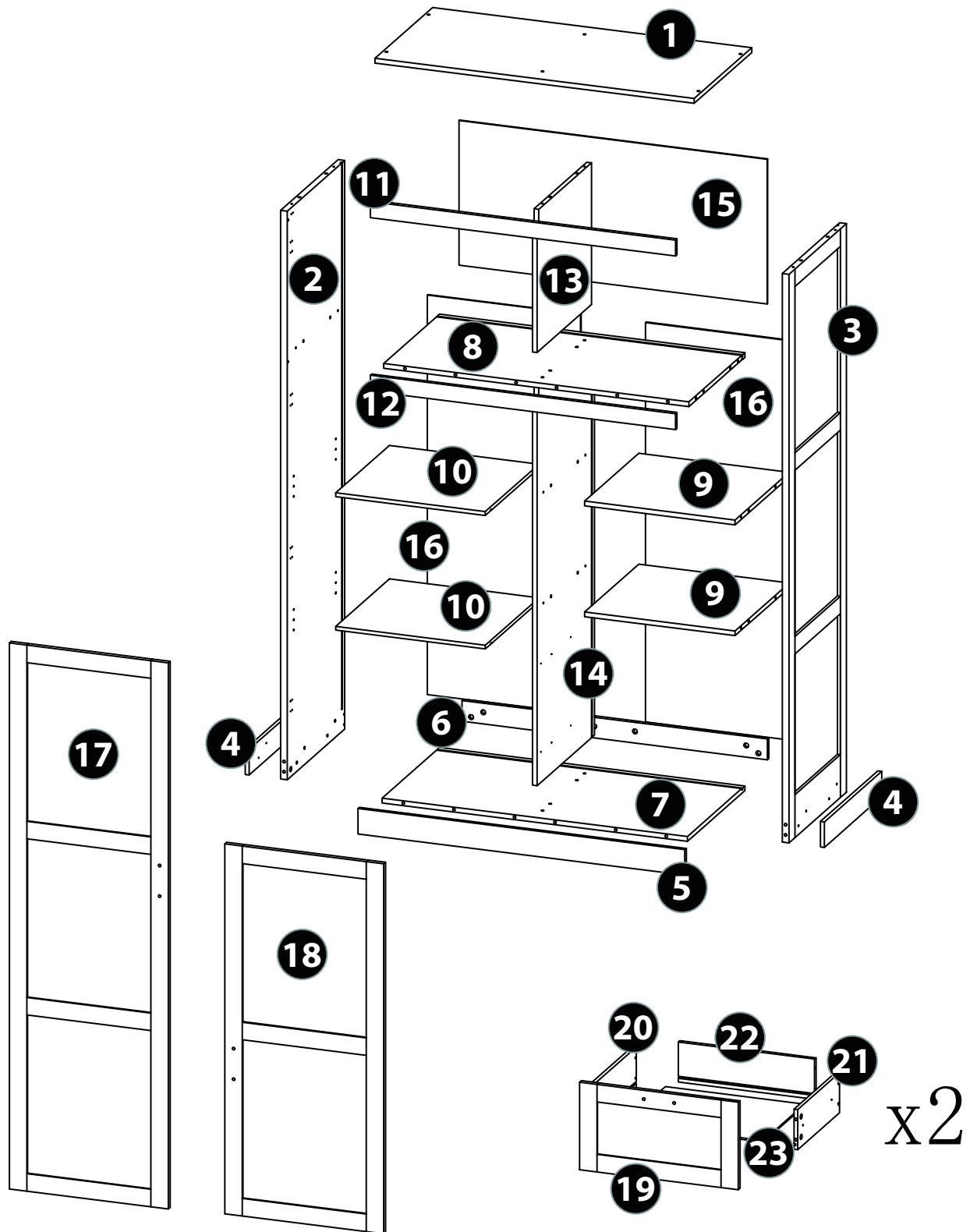
### Han muerto niños por el vuelco de muebles.

Para limitar el riesgo de vuelco de los muebles:

- Utilizar SIEMPRE las fijaciones antivuelco que suministran.
- NUNCA instalar un TV sobre este producto.
- NUNCA permitir que los niños se pongan de pie, trepen o se cuelguen de los cajones, puertas o baldas.
- NUNCA abrir más de un cajón a la vez.
- Colocar los objetos más pesados en los cajones inferiores.

# ASSEMBLY AT A GLANCE

Please take a moment to read through the whole instruction booklet before assembly to familiarize yourself with this product. Once you feel ready to start, follow the instructions step by step and this should make this process as easy as we could make it for you.

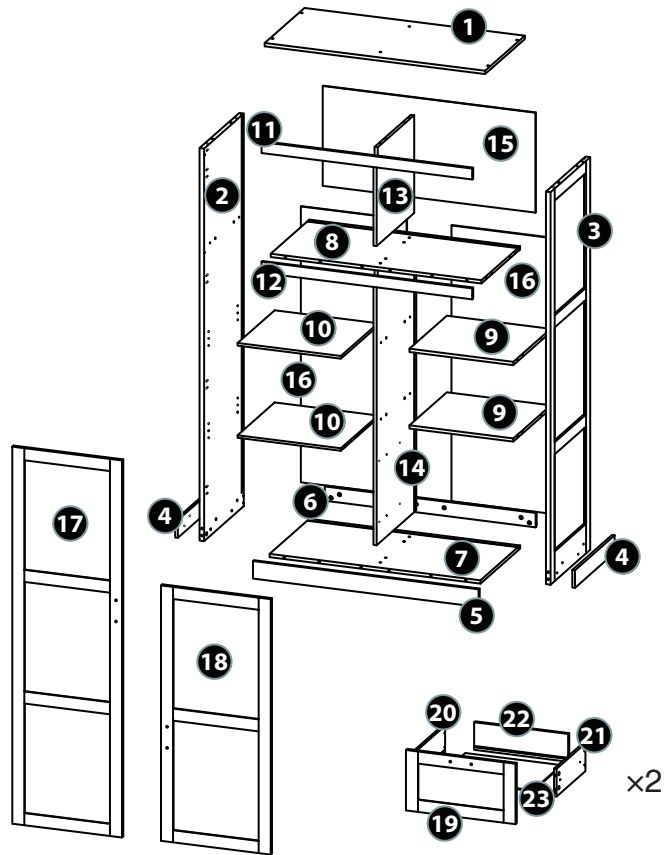


This drawing is to give you an overall idea only of how this assembly will go together and does not replace the assembly instructions.

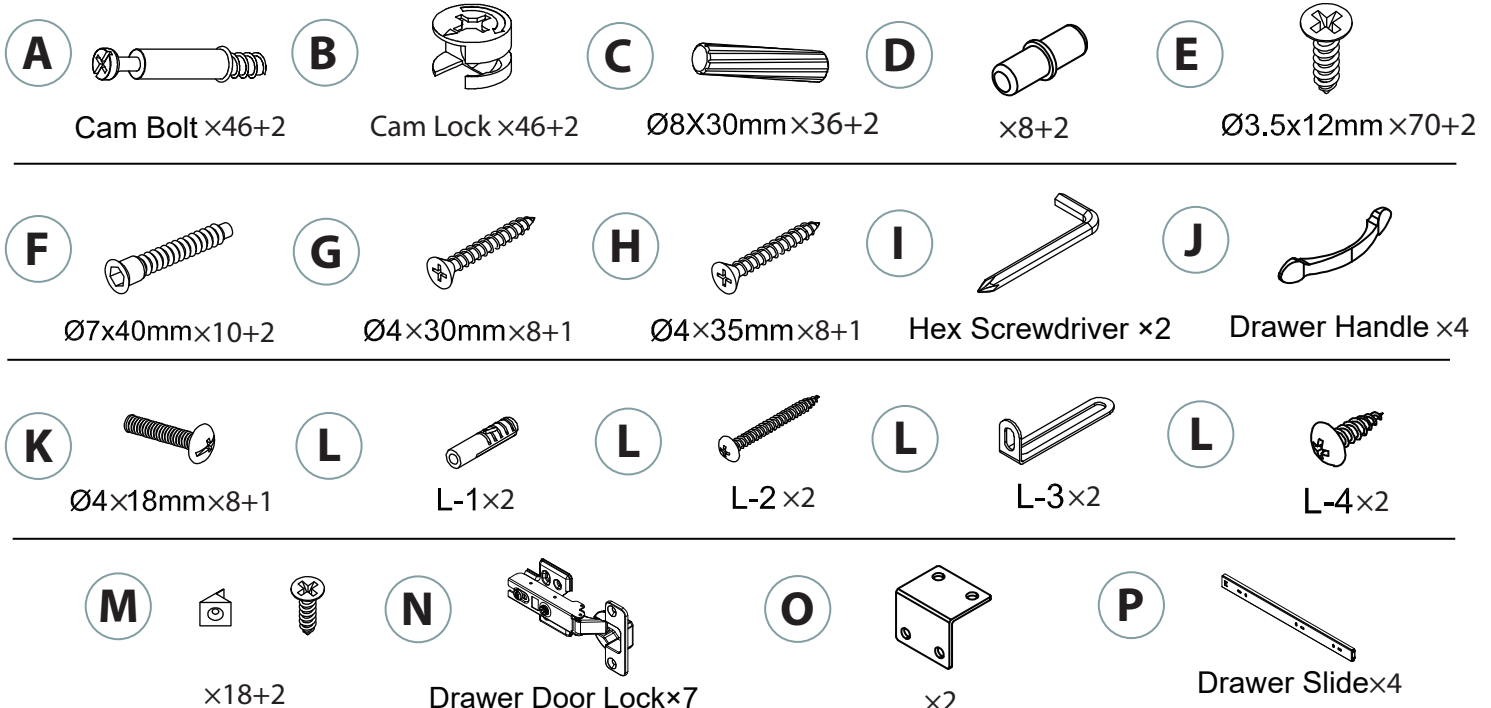
# COMPONENT PARTS

Please check that you have all the parts listed below

1. Top Panel ×1
2. Left Side Panel ×1
3. Right Side Panel ×1
4. Bottom Side Support Panel ×2
5. Bottom Front Support Panel ×1
6. Bottom Back Support Panel ×1
7. Bottom Panel ×1
8. Middle Panel ×1
9. Right Side Support Panel ×2
10. Left Side Support Panel ×2
11. Top Support Panel ×1
12. Middle Support Panel ×1
13. Short Panel ×1
14. Long Panel ×1
15. Back Top Panel ×1
16. Back Panel ×2
17. Big Door ×1
18. Small Door ×1
19. Drawer Front Panel ×2
20. Drawer Left Panel ×2
21. Drawer Right Panel ×2
22. Drawer Back Panel ×2
23. Drawer Bottom Panel ×2



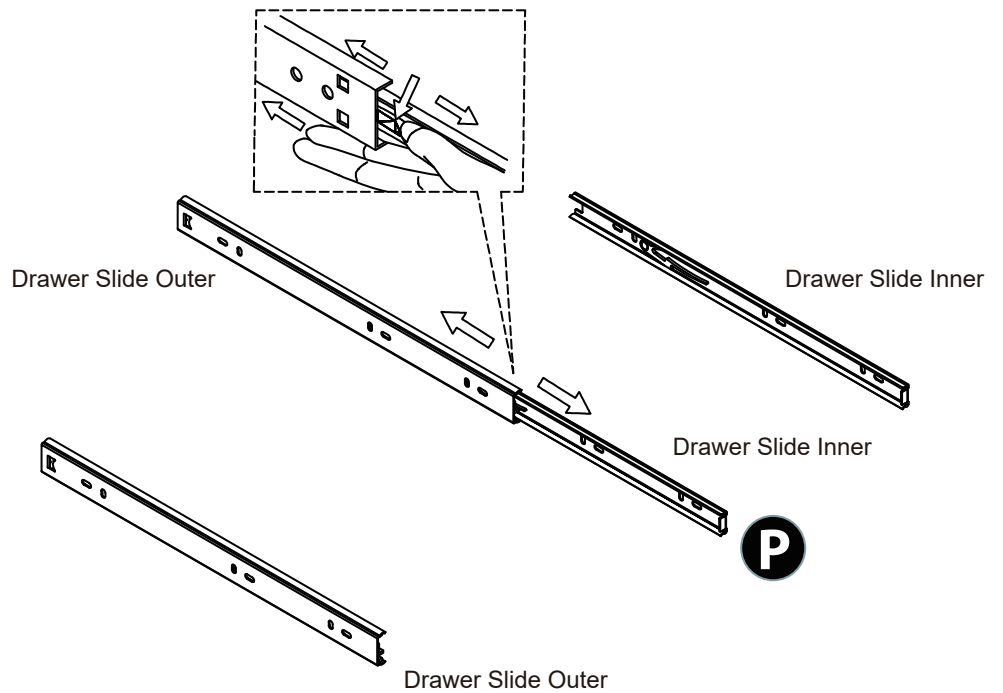
## ASSEMBLY HARDWARE



# ASSEMBLY INSTRUCTIONS

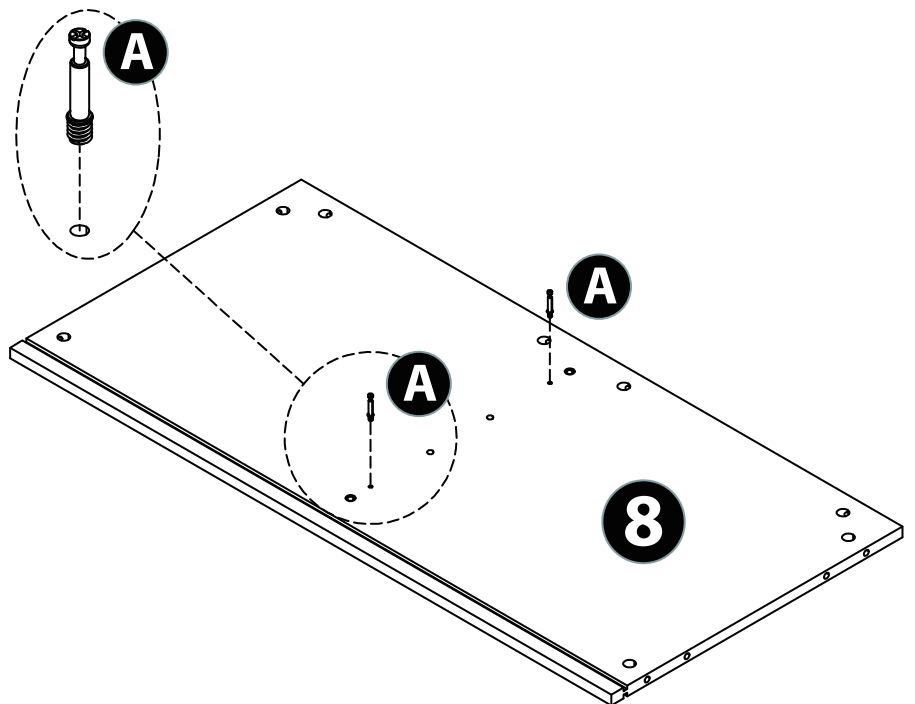
1

Select P (×4) .Divide P(×4)  
into Drawer Slide Inner(×4)  
and Drawer Slide Outer(×4).



2

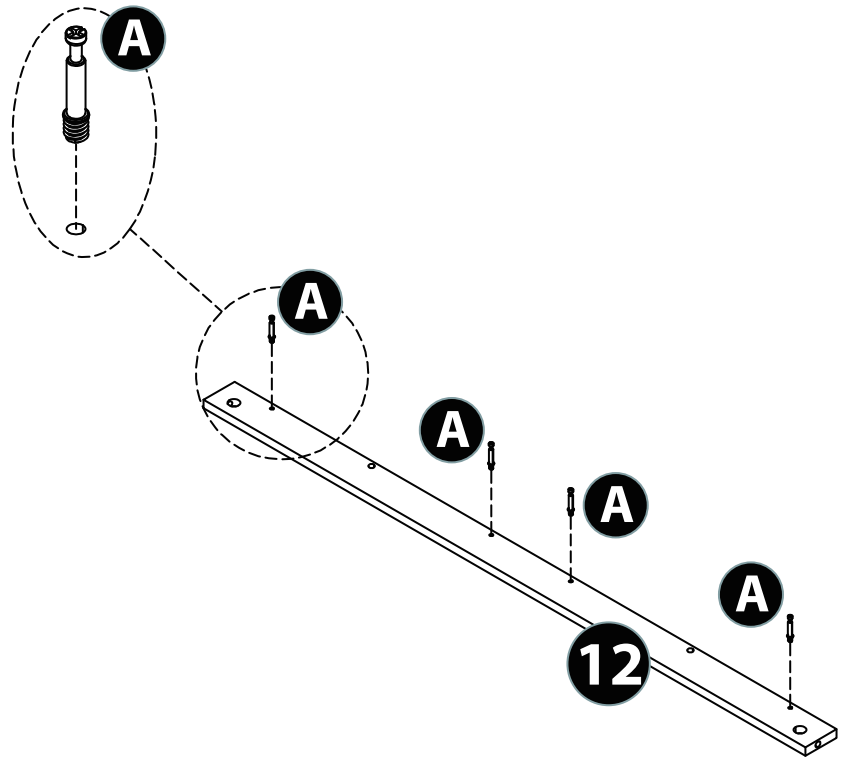
Select 8(×1) and A(×2).Insert  
A(×2) into 8.



# ASSEMBLY INSTRUCTIONS

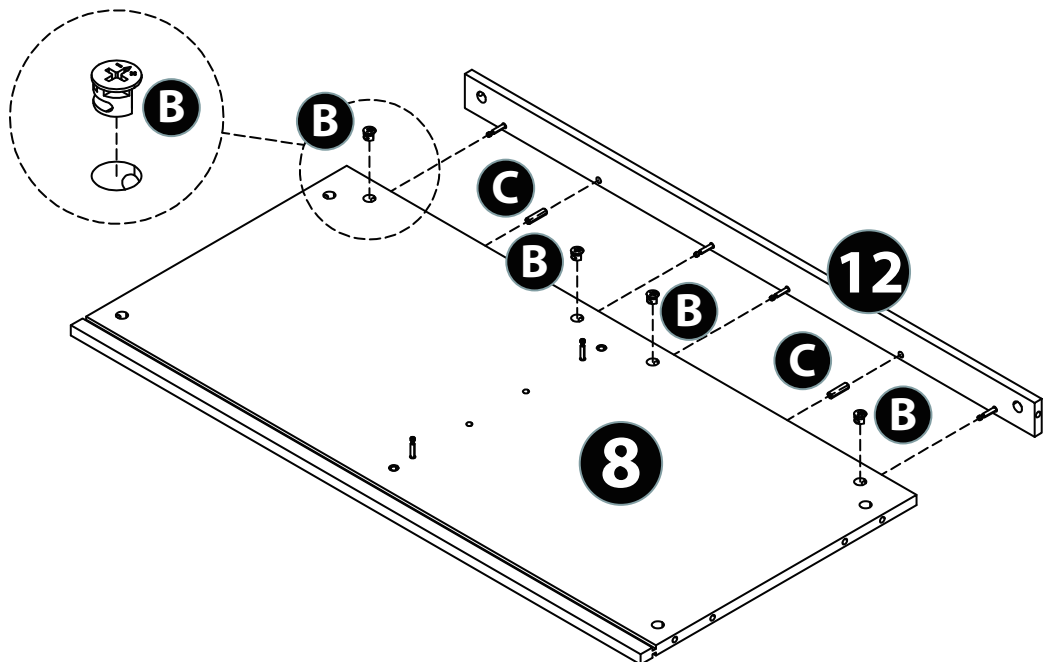
**3**

Select 12(x1) and A(x4). Insert A(x4) into 12.



**4**

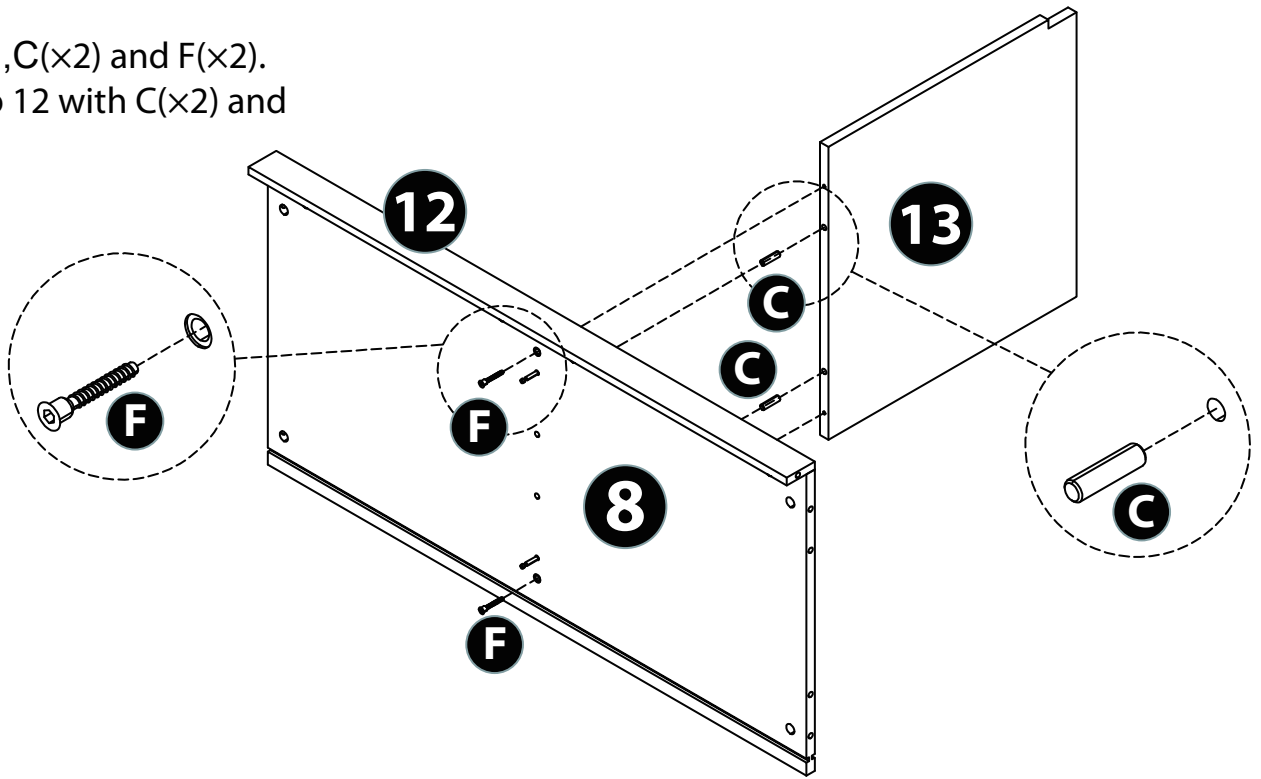
Select 12(x1), B(x4) and C(x2). Insert 12 into 8 with B(x4) and C(x2).



# ASSEMBLY INSTRUCTIONS

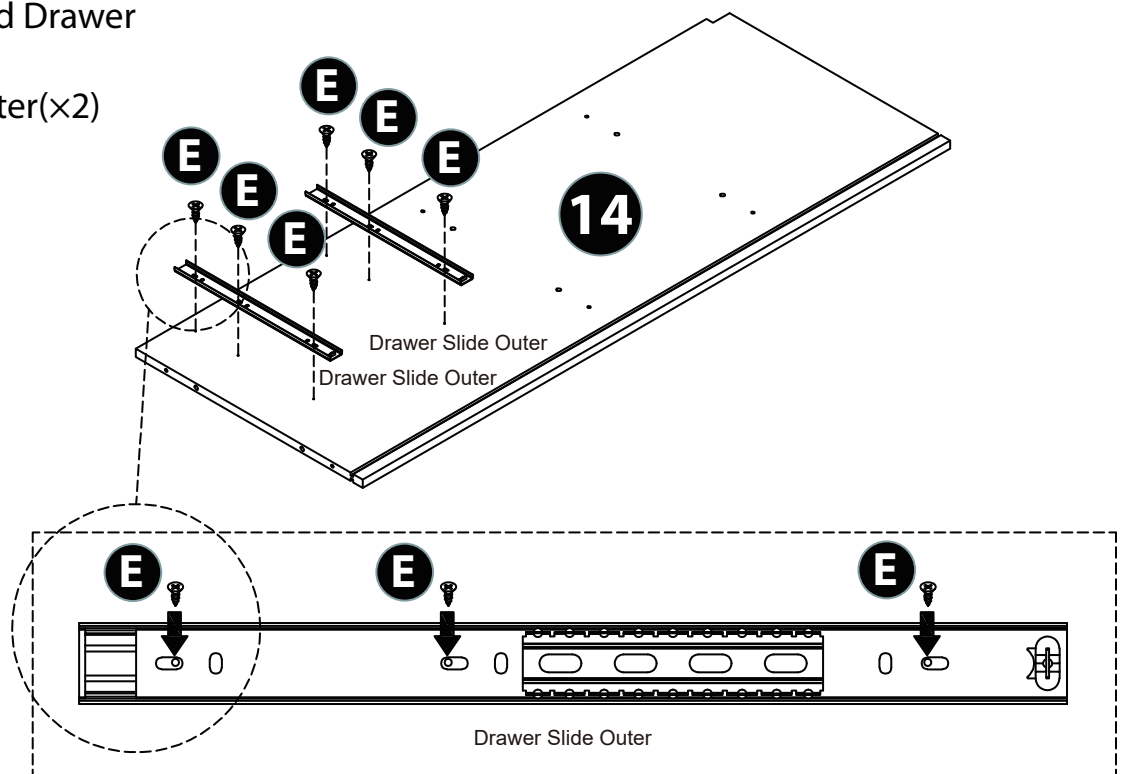
**5**

Select 13(x1), C(x2) and F(x2).  
Insert 13 into 12 with C(x2) and  
F(x2).



**6**

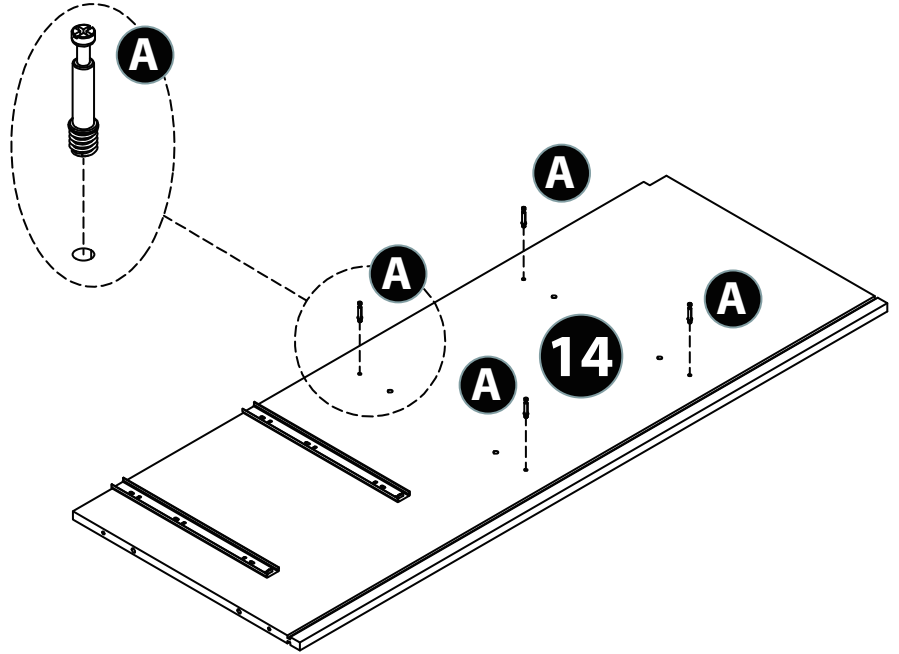
Select 14(x1), E(x6) and Drawer  
Slide Outer (x2).  
Insert Drawer Slide Outer(x2)  
into 14 with E(x6).



# ASSEMBLY INSTRUCTIONS

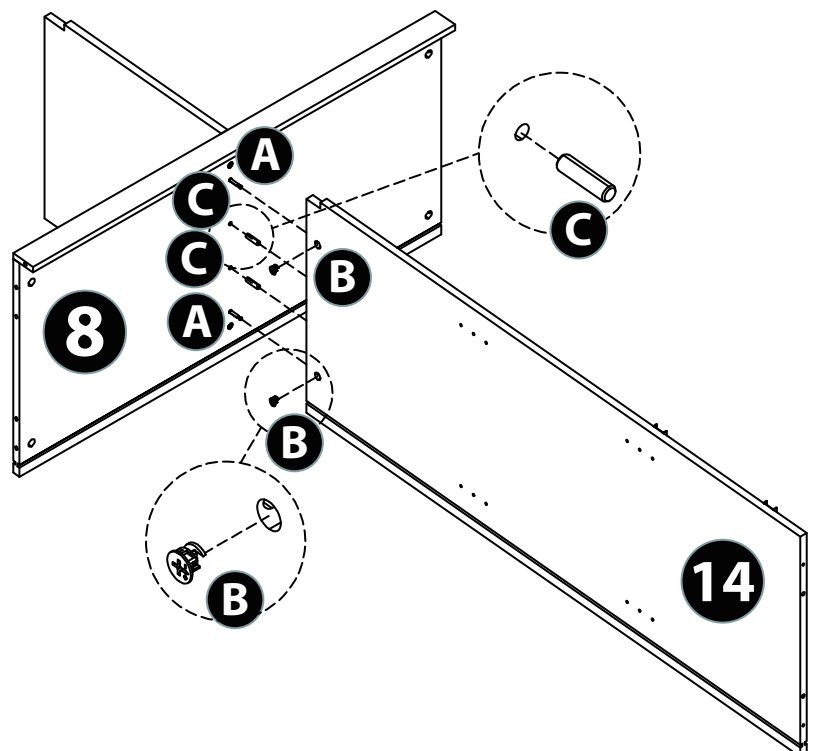
**7**

Select A(x4).  
Insert A(x4) into 14.



**8**

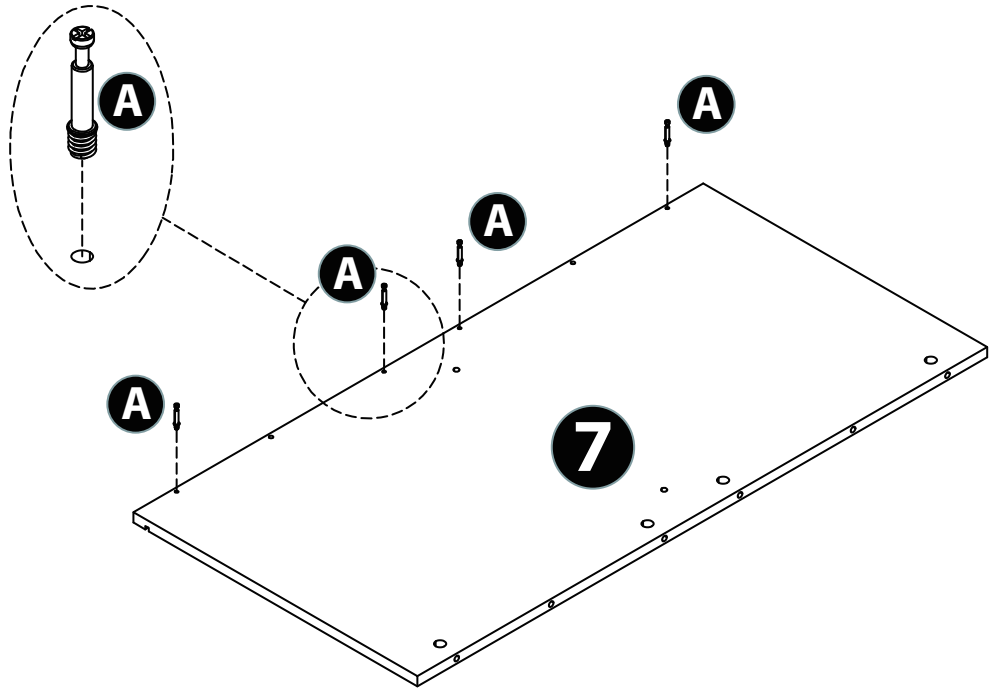
Select B(x2) and C(x2).  
Insert B(x2) into 14.  
Insert C(x2) into 8.  
Insert 14 into 8 with A(x2) and C(x2).



# ASSEMBLY INSTRUCTIONS

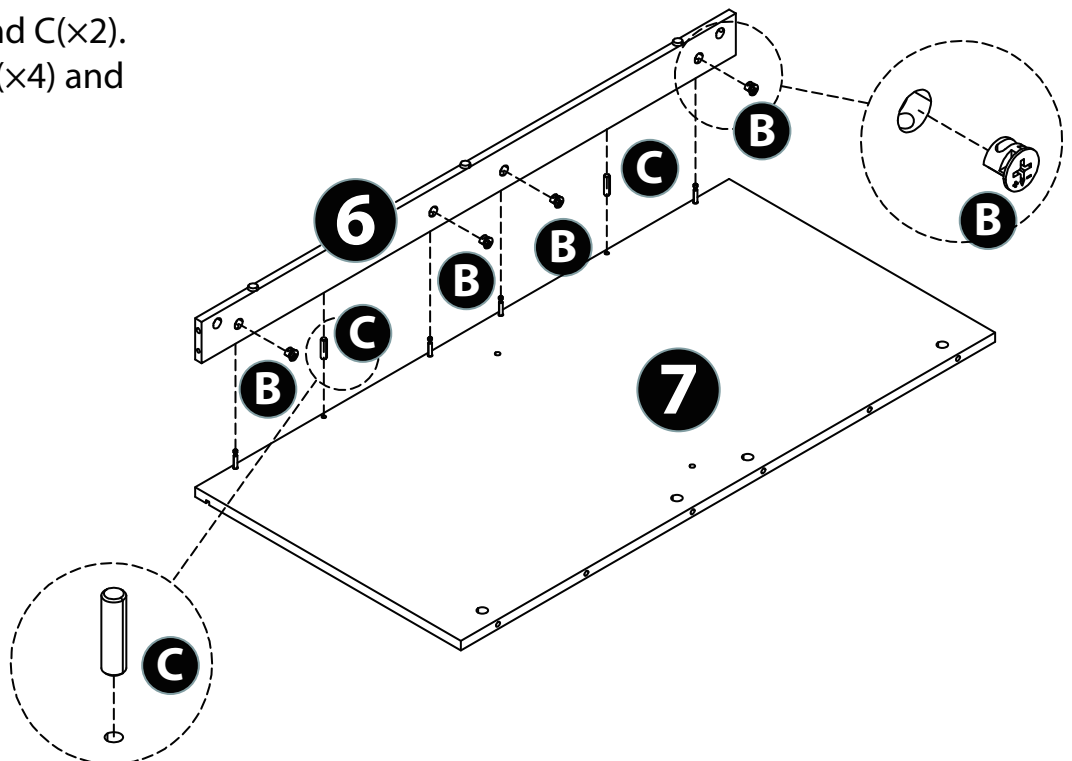
9

Select 7(×1) and A(×4).  
Insert A(×4) into 7.



10

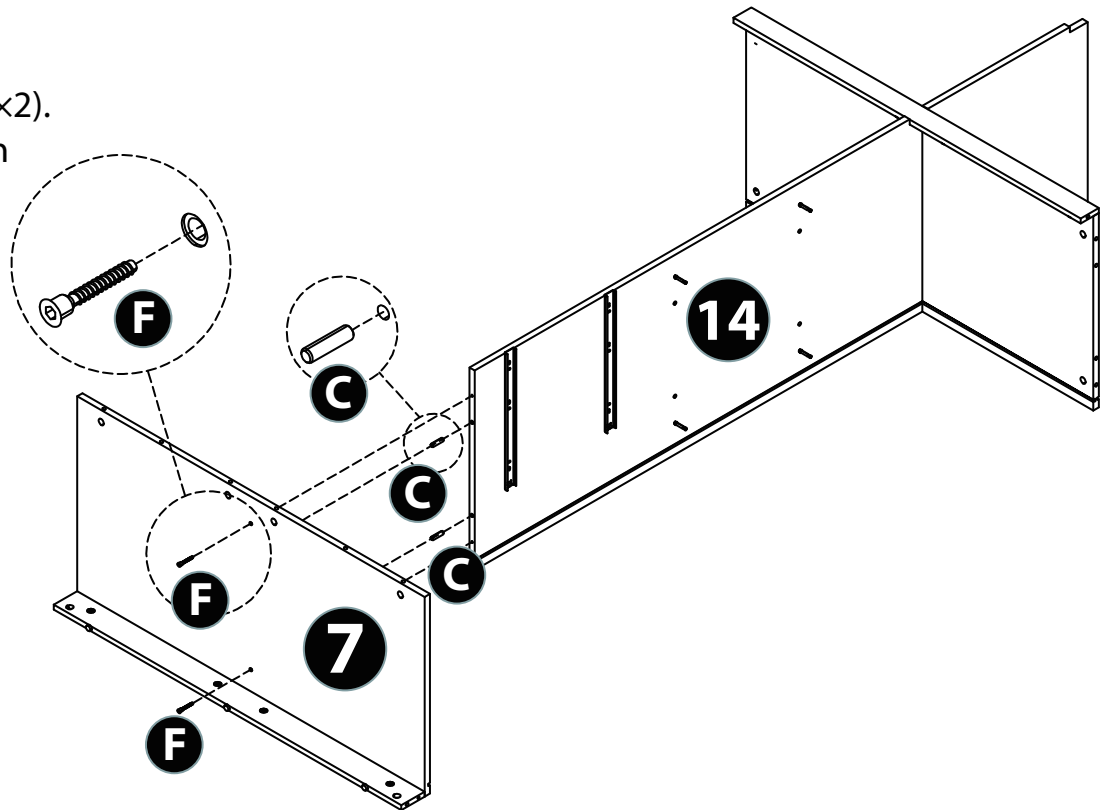
Select 6(×1), B(×4) and C(×2).  
Insert 6 into 7 with B(×4) and  
C(×2).



# ASSEMBLY INSTRUCTIONS

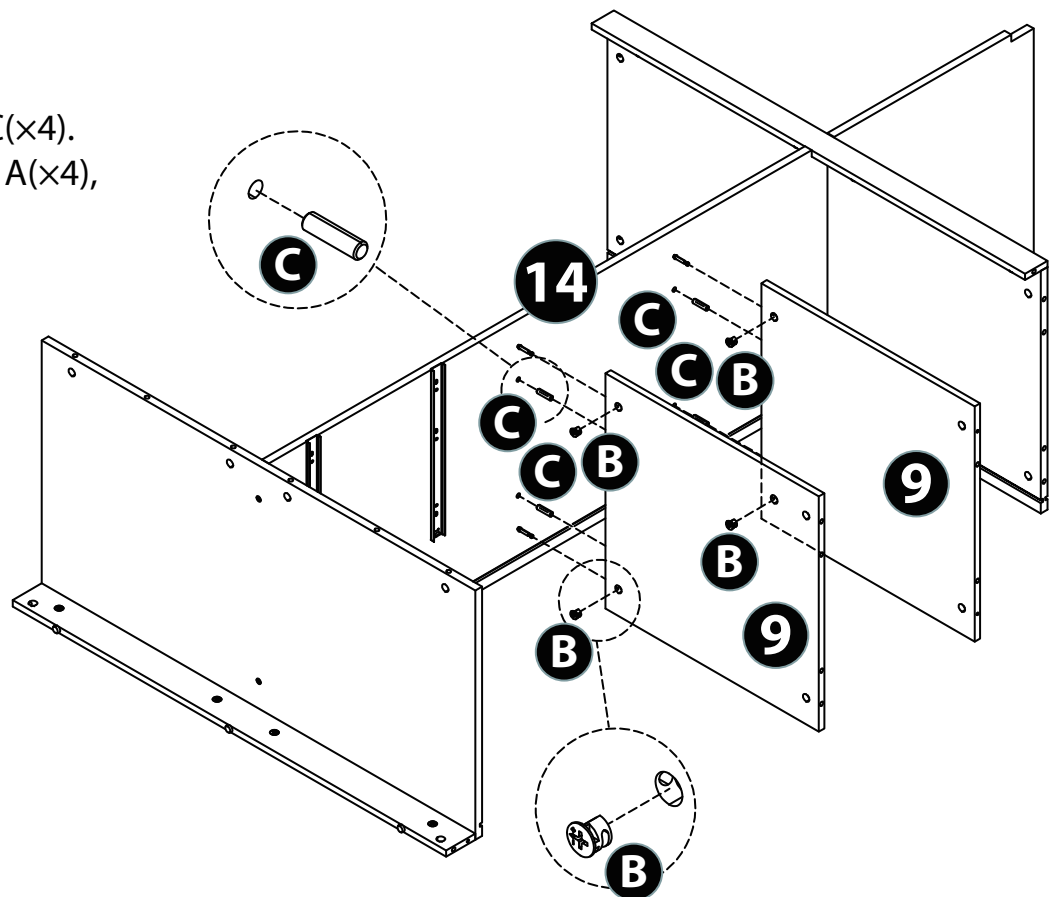
**11**

Select C(x2) and F(x2).  
Insert 7 into 14 with  
C(x2) and F(x2).



**12**

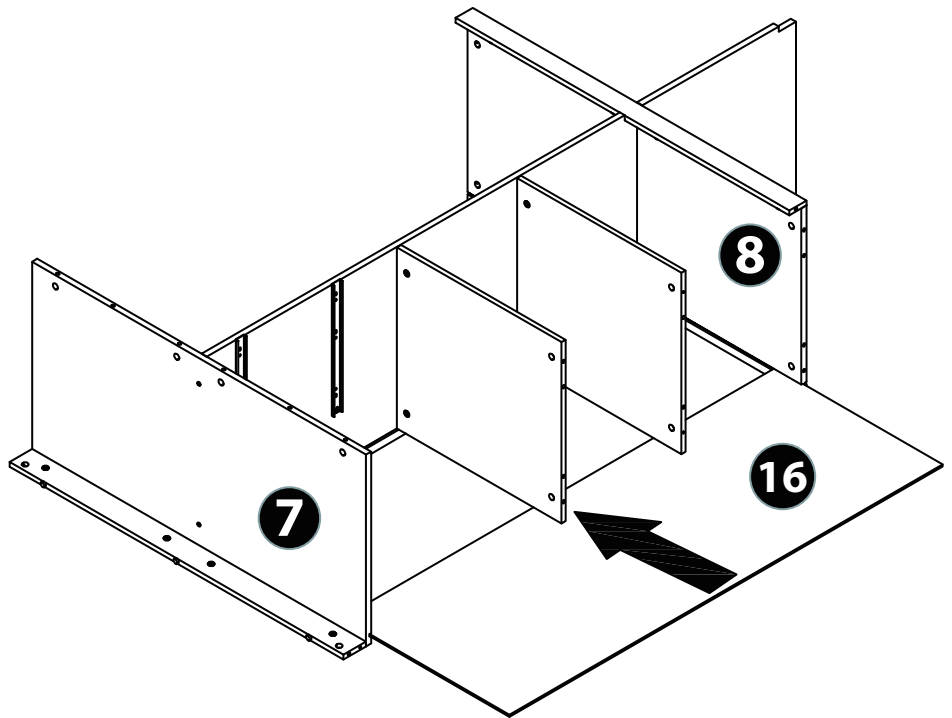
Select 9(x2), B(x4) and C(x4).  
Insert 9(x2) into 14 with A(x4),  
B(x4) and C(x4).



# ASSEMBLY INSTRUCTIONS

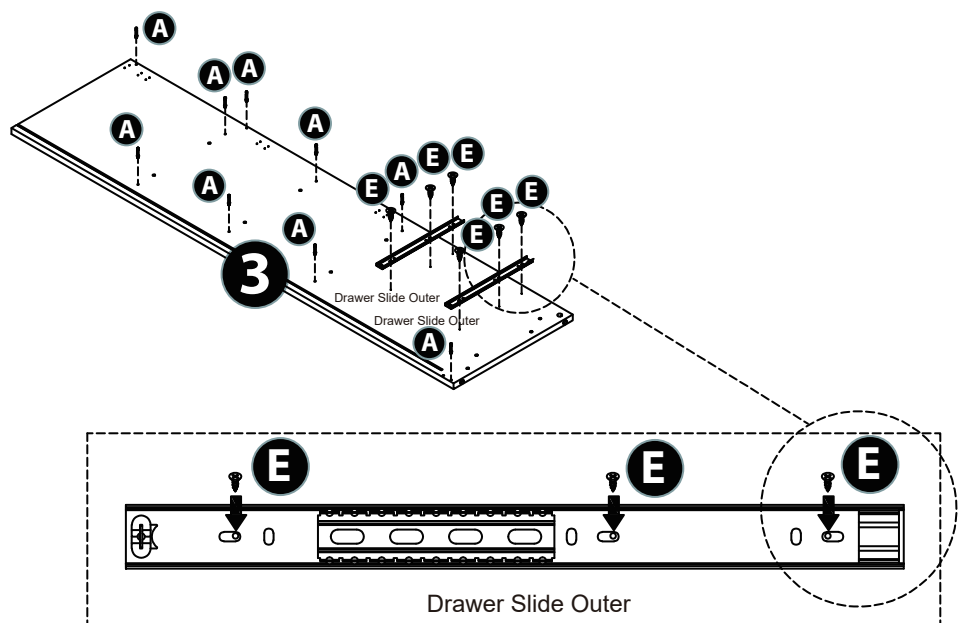
**13**

Select 16(x1).  
Install 16 along the groove of  
7 and 8.



**14**

Select 3(x1), A(x9), E(x6) and  
Drawer Slide Outer(x2).  
Insert E(x6) into Drawer Slide  
Outer(x2) into 3.  
Insert A(x9) into 3.



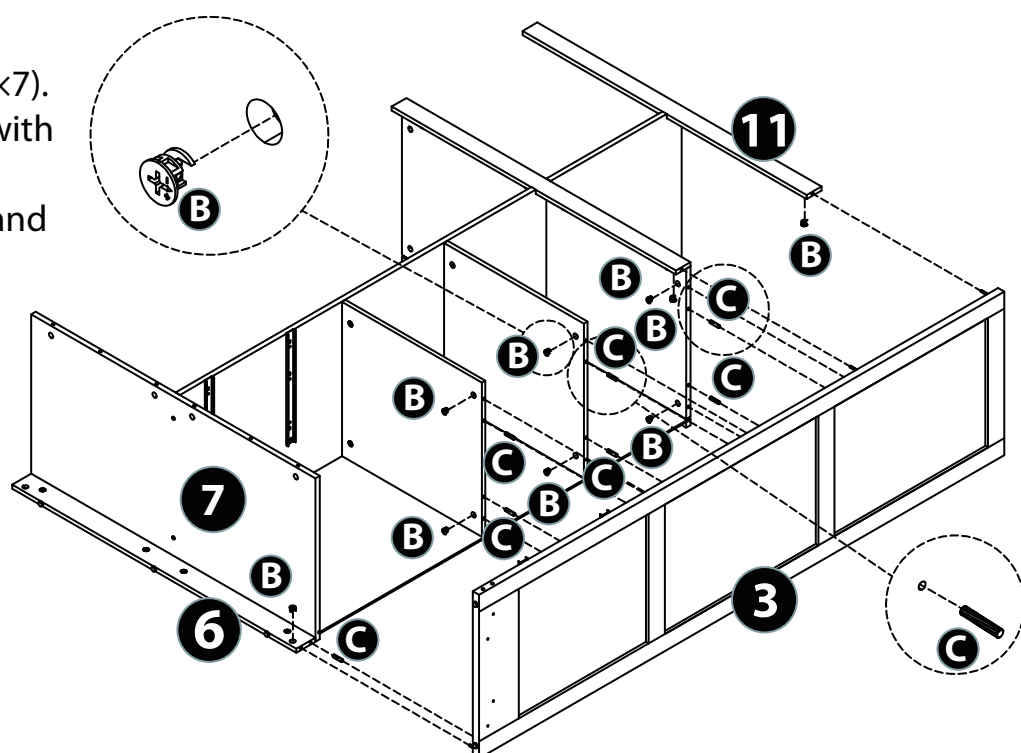
# ASSEMBLY INSTRUCTIONS

**15**

Select 11(×1), B(×9) and C(×7).  
Insert 3 into 6,8 and 9(×2) with  
B(×7) and C(×6).

Insert 11 into 3 with B(×1) and  
C(×1).

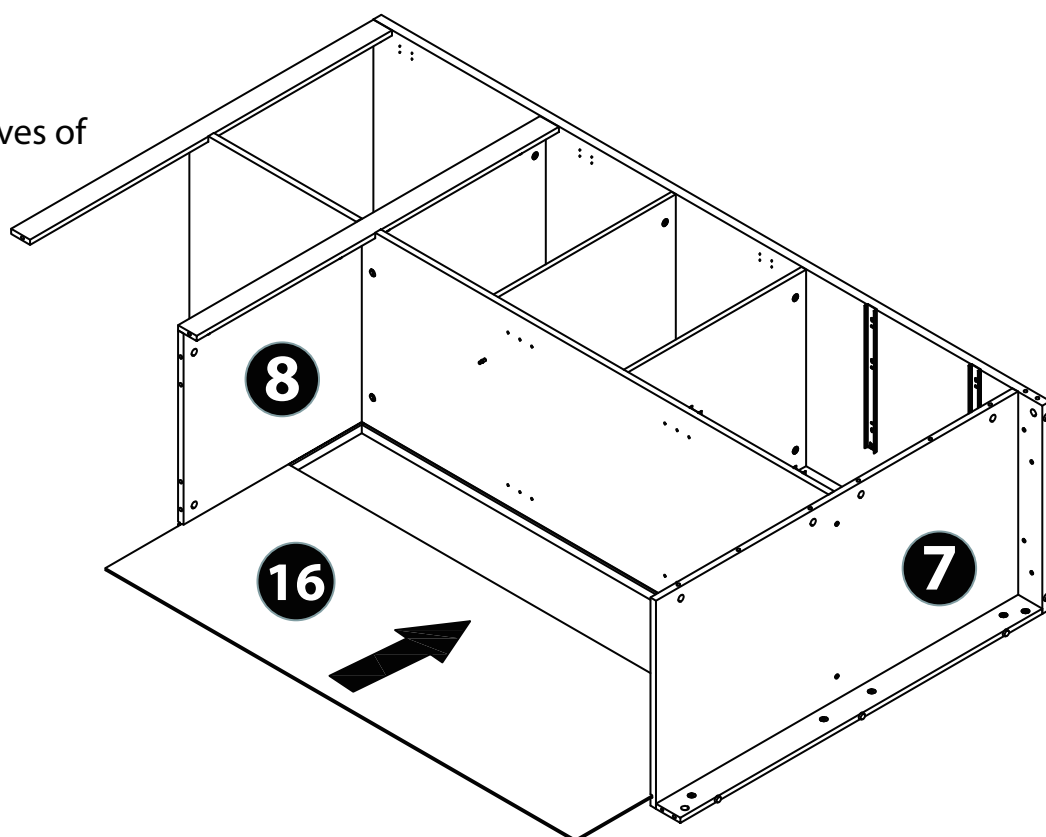
Insert B(×1) into 6.



**16**

Select 16(×1).

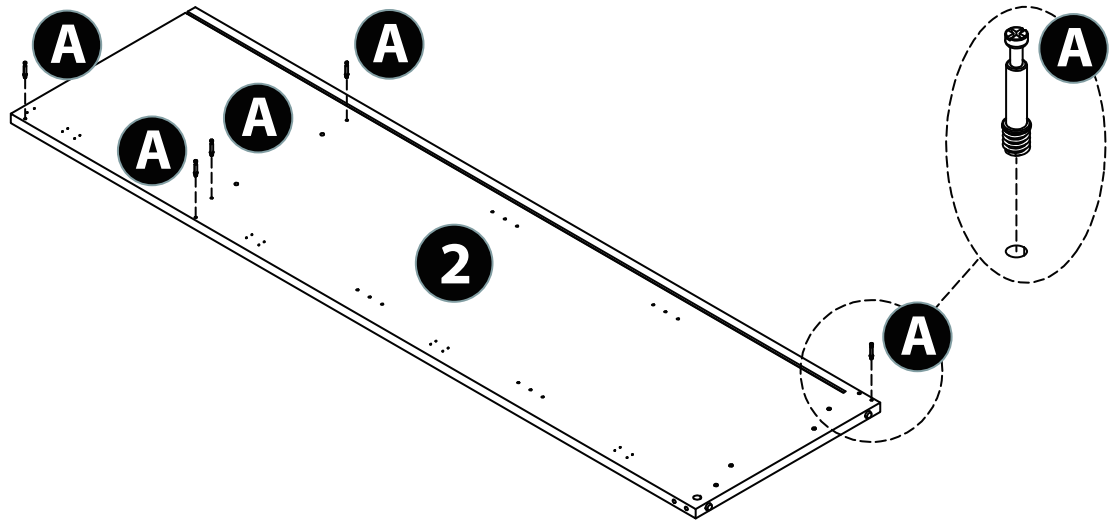
Install 16 along the grooves of  
7 and 8.



# ASSEMBLY INSTRUCTIONS

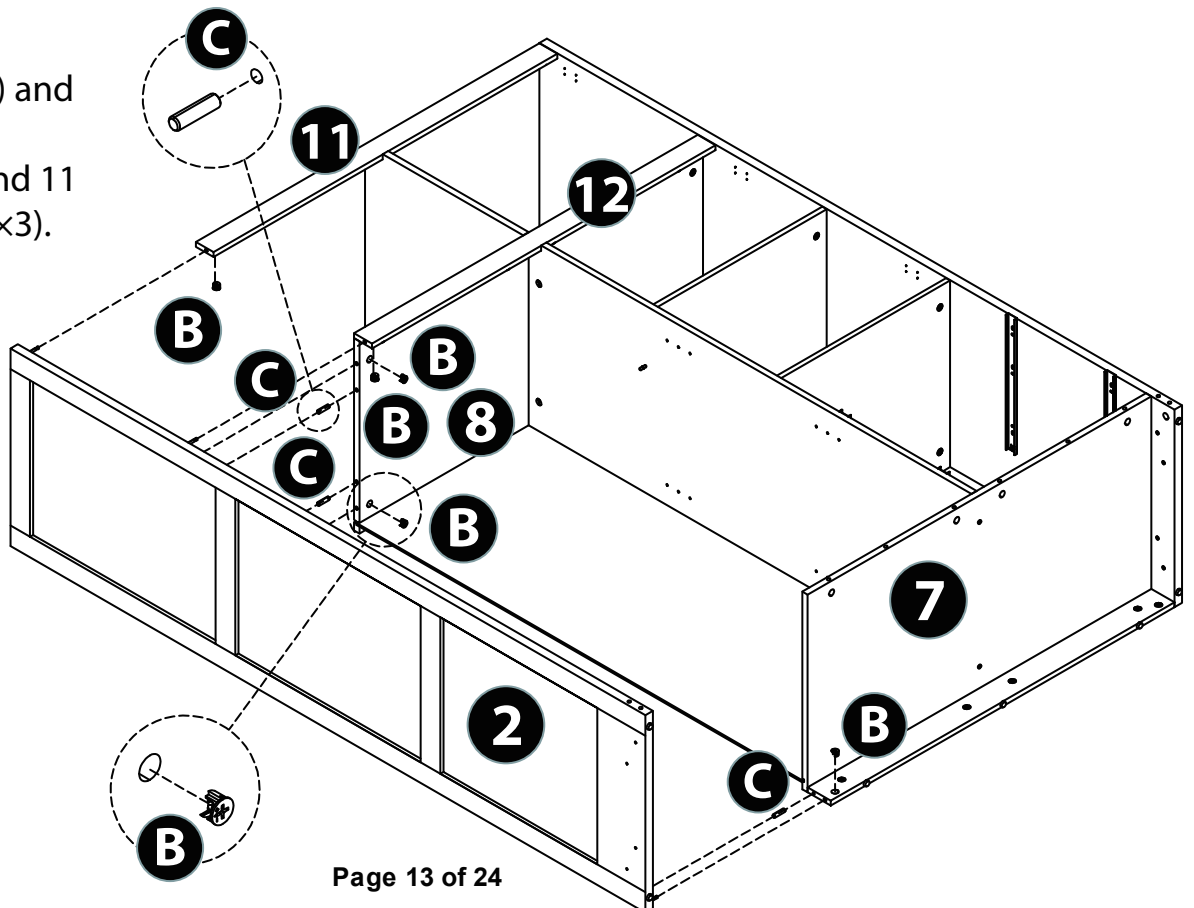
17

Select 2(x1) and A(x5).  
Insert A(x5) into 2.



18

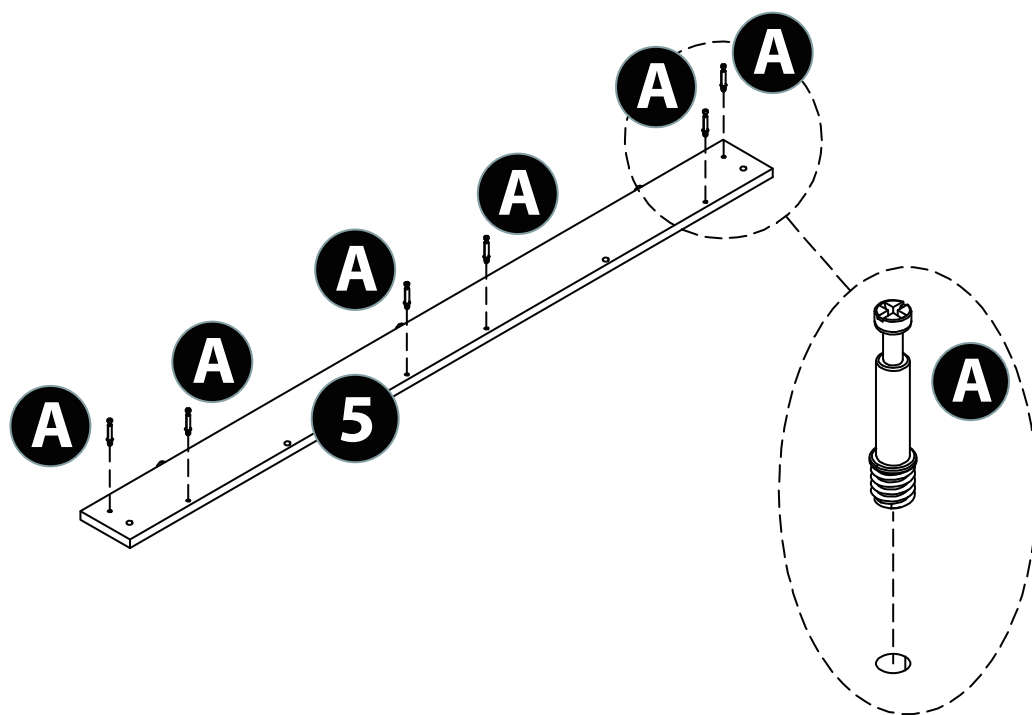
Select 2(x1), B(x5) and  
C(x3).  
Insert 2 into 7,8 and 11  
with B(x5) and C(x3).



# ASSEMBLY INSTRUCTIONS

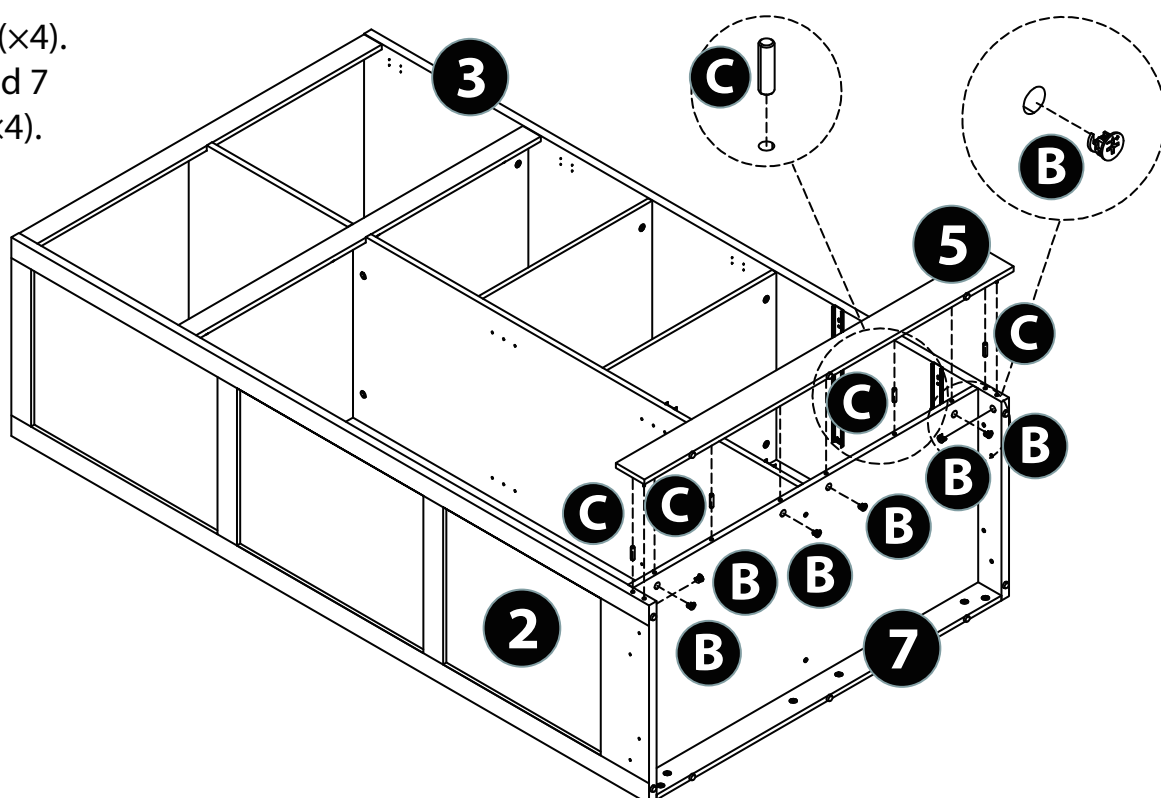
**19**

Select 5(x1) and A(x6).  
Insert A(x6) into 5.



**20**

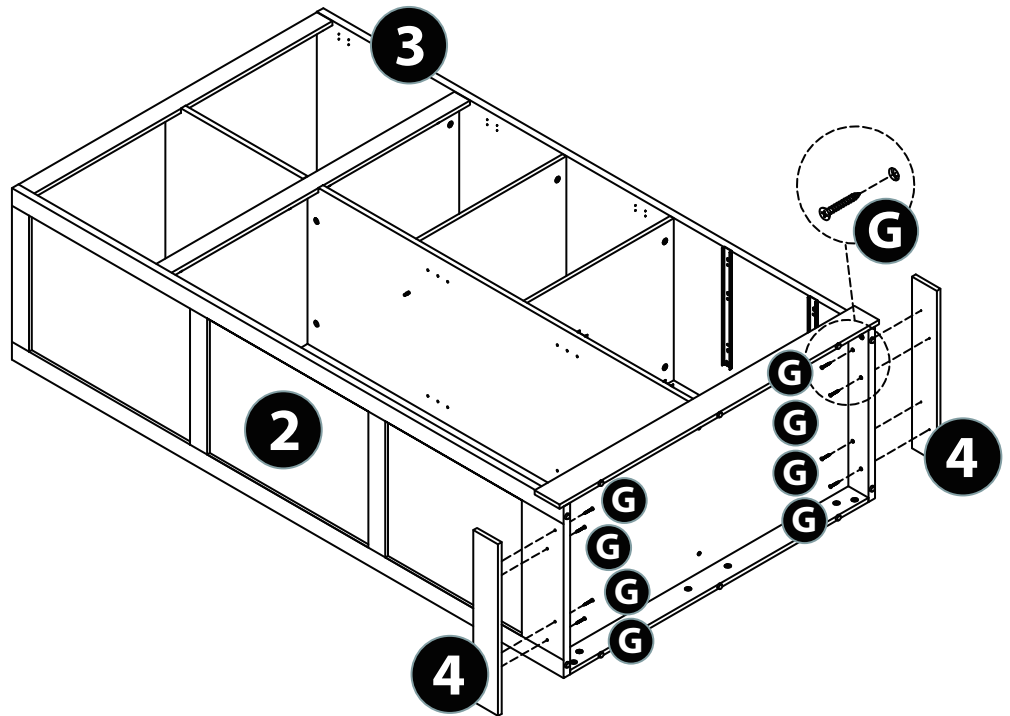
Select B(x6) and C(x4).  
Insert 5 into 2,3 and 7  
with B(x6) and C(x4).



# ASSEMBLY INSTRUCTIONS

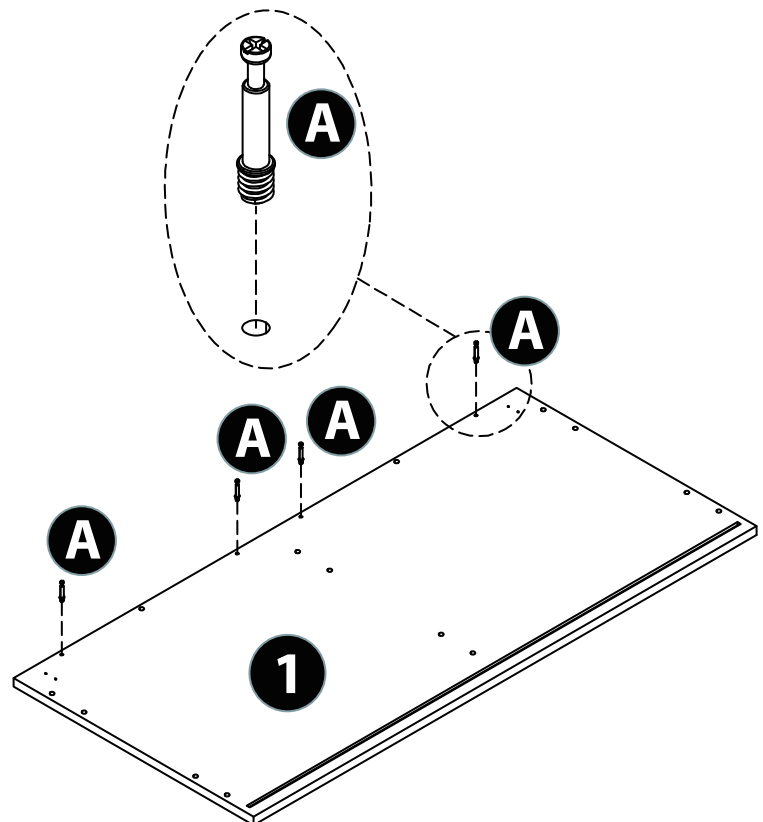
21

Select 4(x2) and G(x8).  
Insert 4(x2) into 2 and 3  
with G(x8).



22

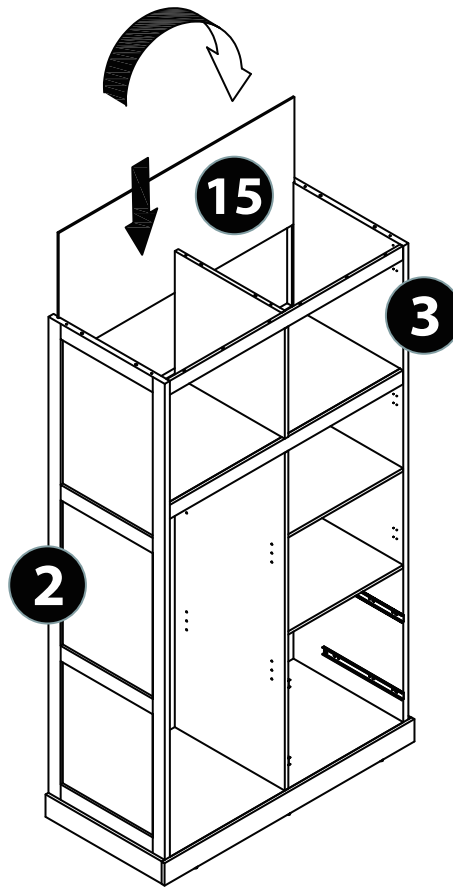
Select 1(x1) and A(x4).  
Insert A(x4) into 1.



# ASSEMBLY INSTRUCTIONS

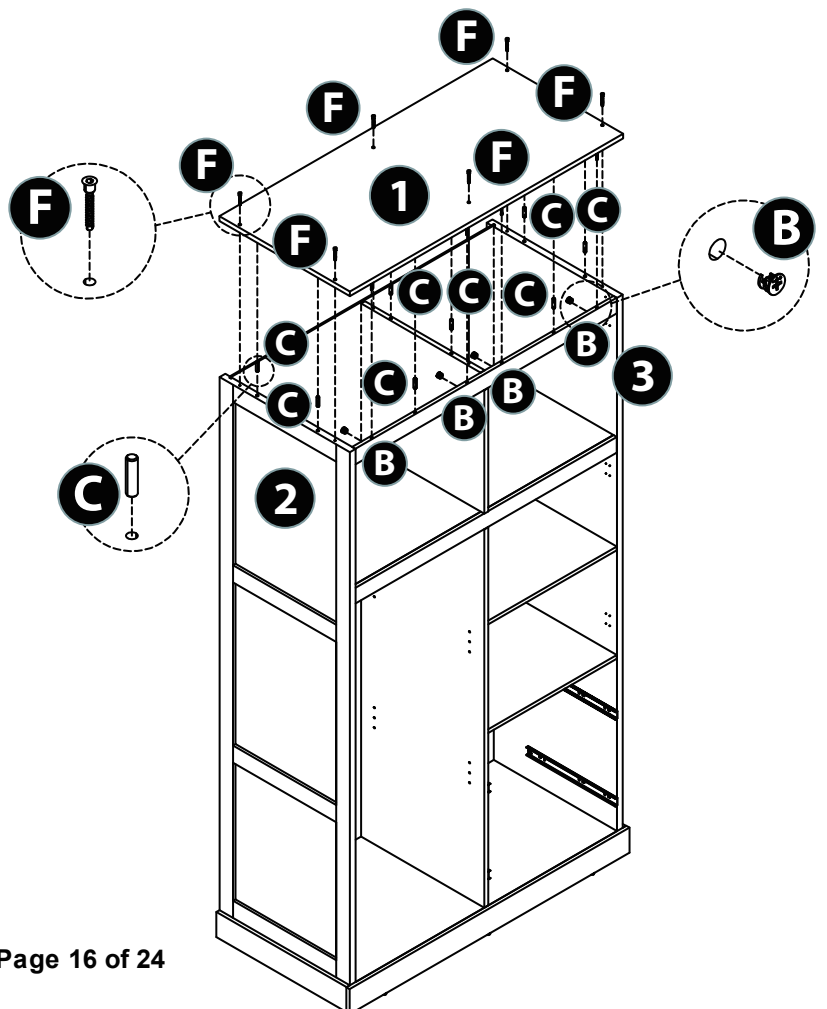
**23**

Select 15(x1).  
Install 15 along the grooves of  
2 and 3.



**24**

Select 1(x1), B(x4), C(x8) and  
F(x6).  
Insert 1(x1) into Cabinet with  
B(x4), C(x8) and F(x6).



# ASSEMBLY INSTRUCTIONS

**25**

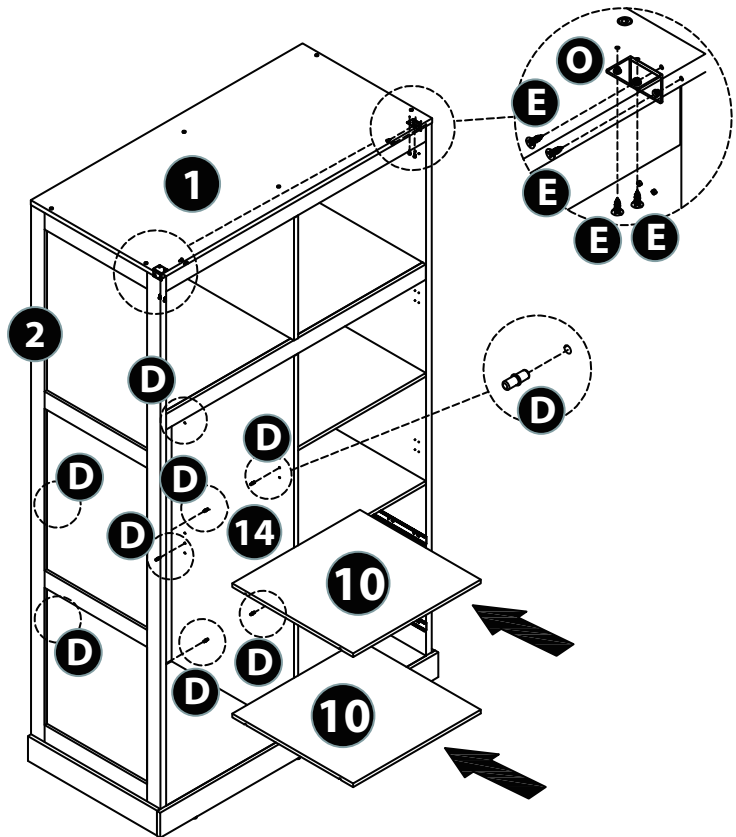
Select 10(x2), D(x8), E(x8) and O(x2).

Insert D(x8) into 2 and 14.

Then Put 10(x2) on D(x8).

Please lock O(x1) inside the closet with E(x4).

Repeat for the other O.



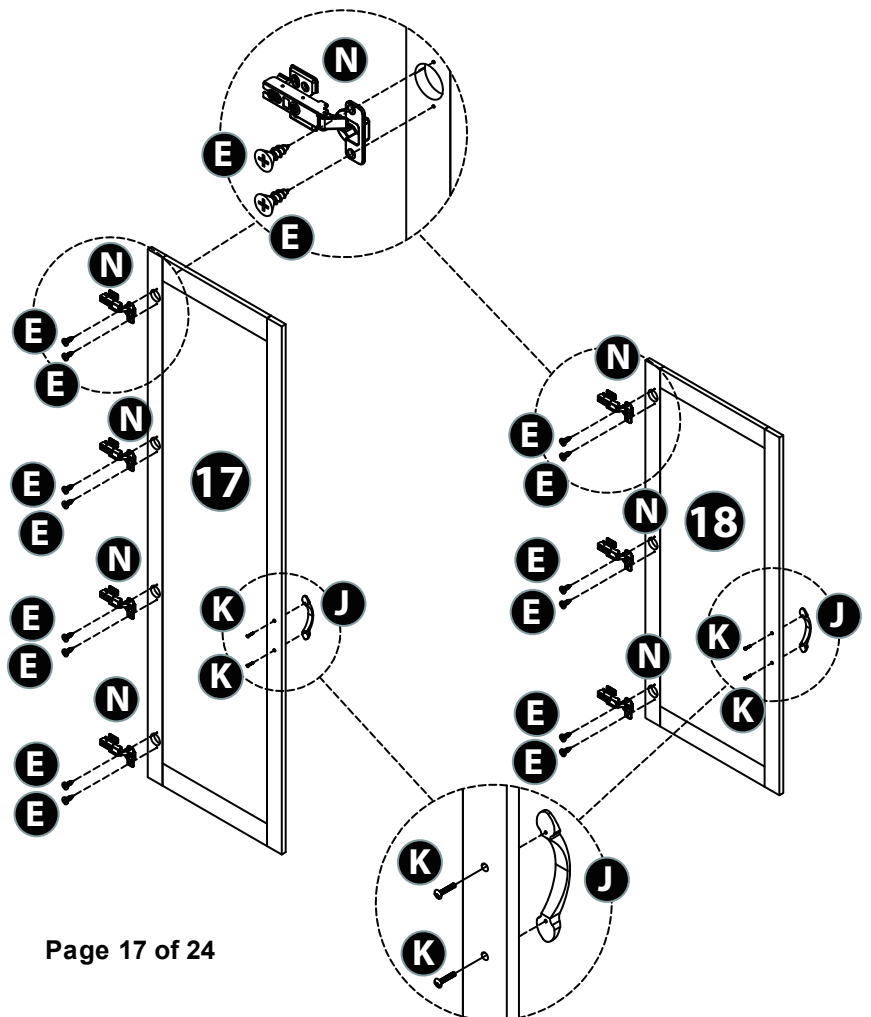
**26**

Select 17(x1), 18(x1), E(x14), J(x2), K(x4) and N(x7).

Insert E(x8) into N(x4) into 17.

Insert K(x2) into J(x1) into 17.

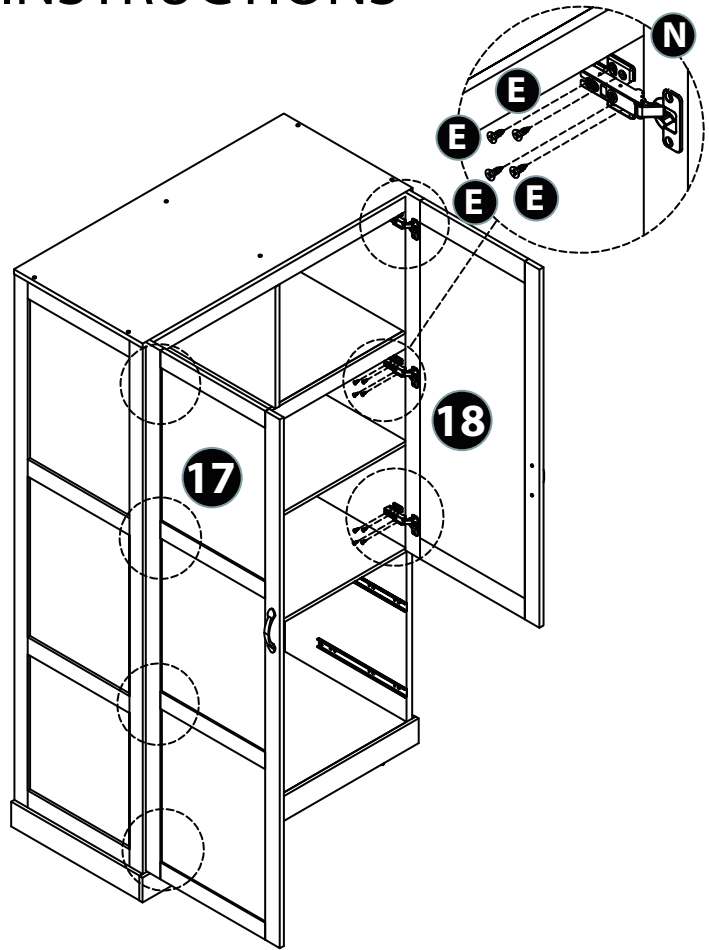
Repeat for 18.



# ASSEMBLY INSTRUCTIONS

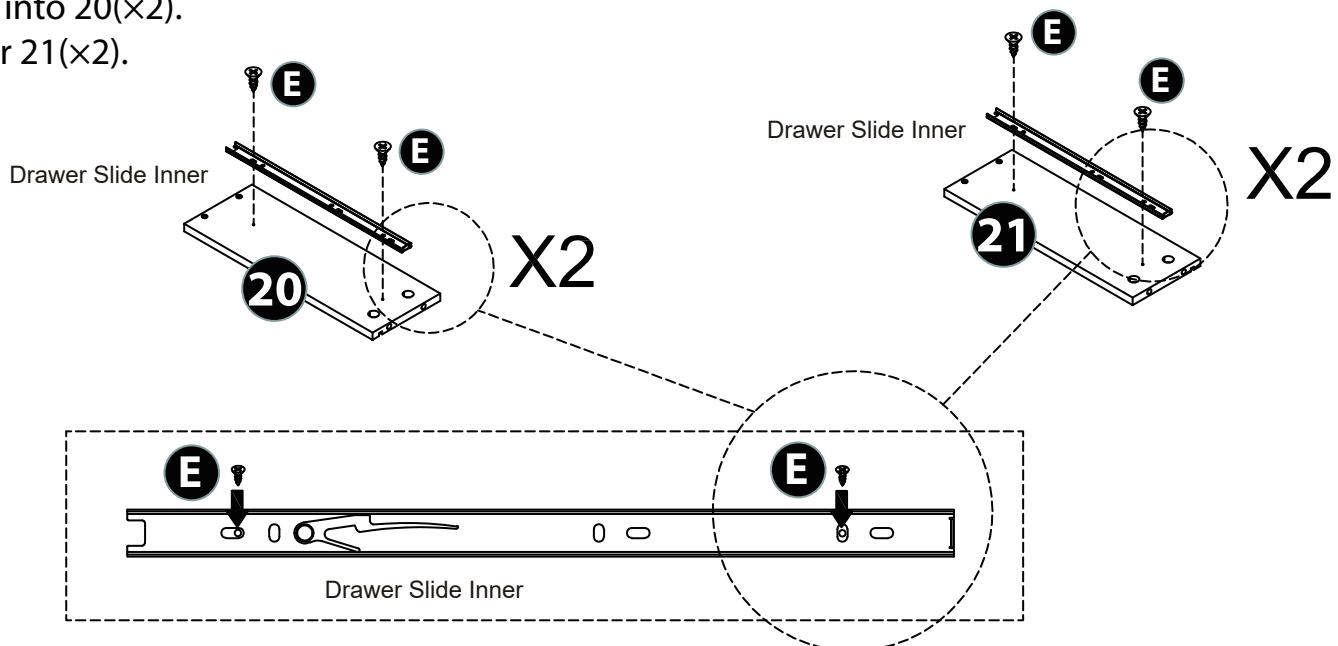
**27**

Select E(x28).  
Insert E(x12) into N(x3) into 18  
into the Cabinet.  
Repeat for 17.



**28**

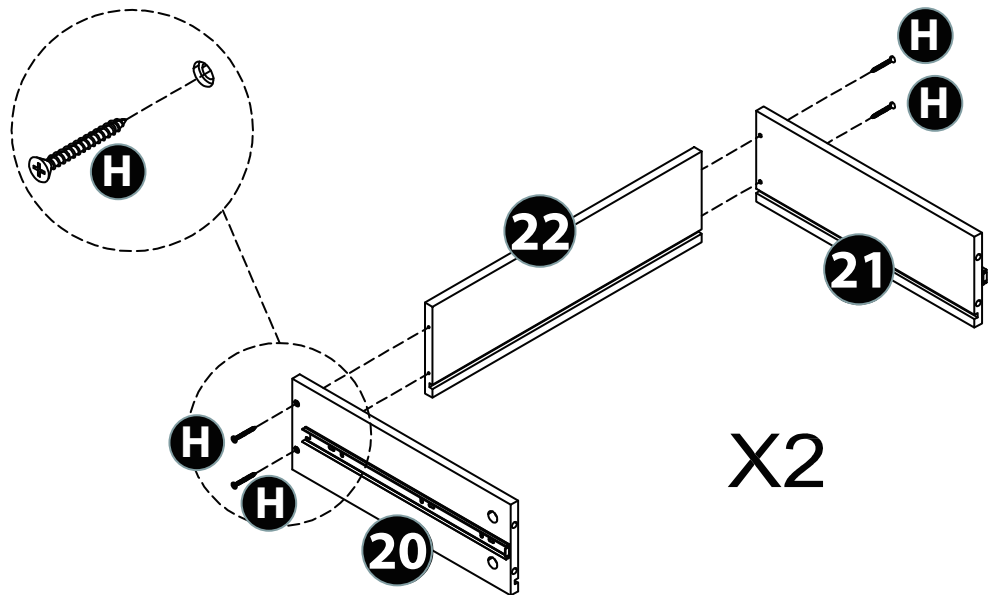
Select 20(x2), 21(x2), E(x8) and  
Drawer Slide Inner(x4).  
Insert E(x4) into Drawer Slide  
Inner(x2) into 20(x2).  
Repeat for 21(x2).



# ASSEMBLY INSTRUCTIONS

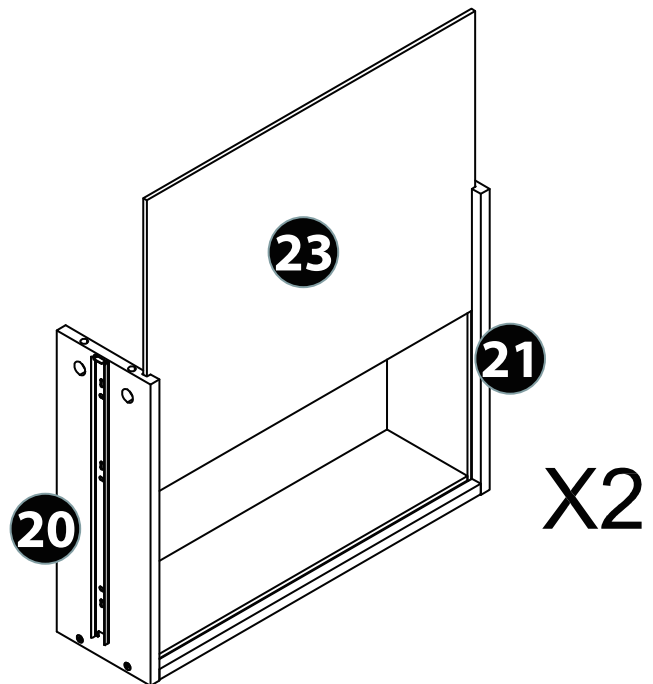
**29**

Select 22(x2) and H(x8).  
Insert 20(x2) into one side of  
22(x2) with H(x4).  
Repeat for 21(x2) and the  
other side of 22(x2).



**30**

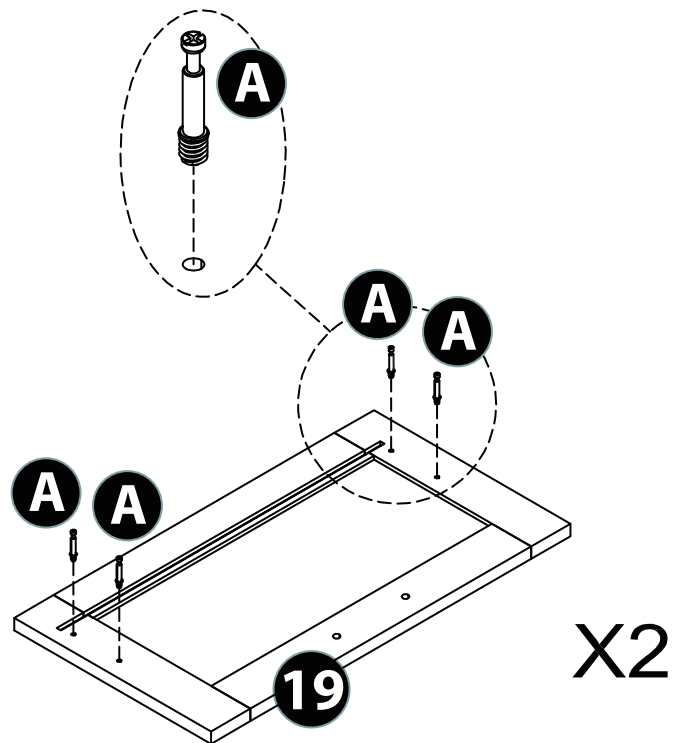
Select 23(x2).  
Install 23(x1) along the grooves  
of 20 and 21.  
Repeat for the other 23.



# ASSEMBLY INSTRUCTIONS

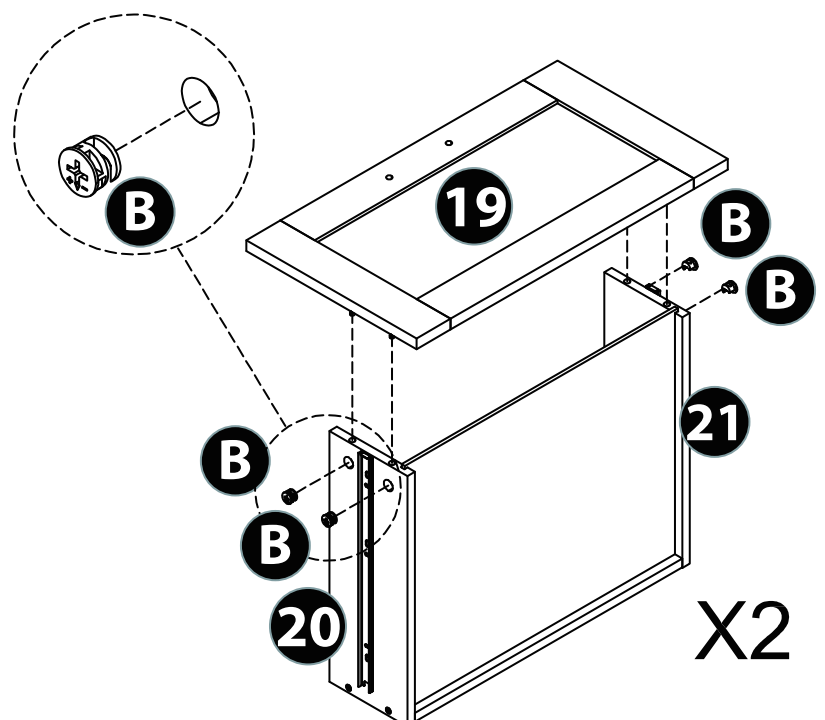
**31**

Select 19(x2) and A(x8).  
Insert A(x4) into 19.  
Repeat for the other 19.



**32**

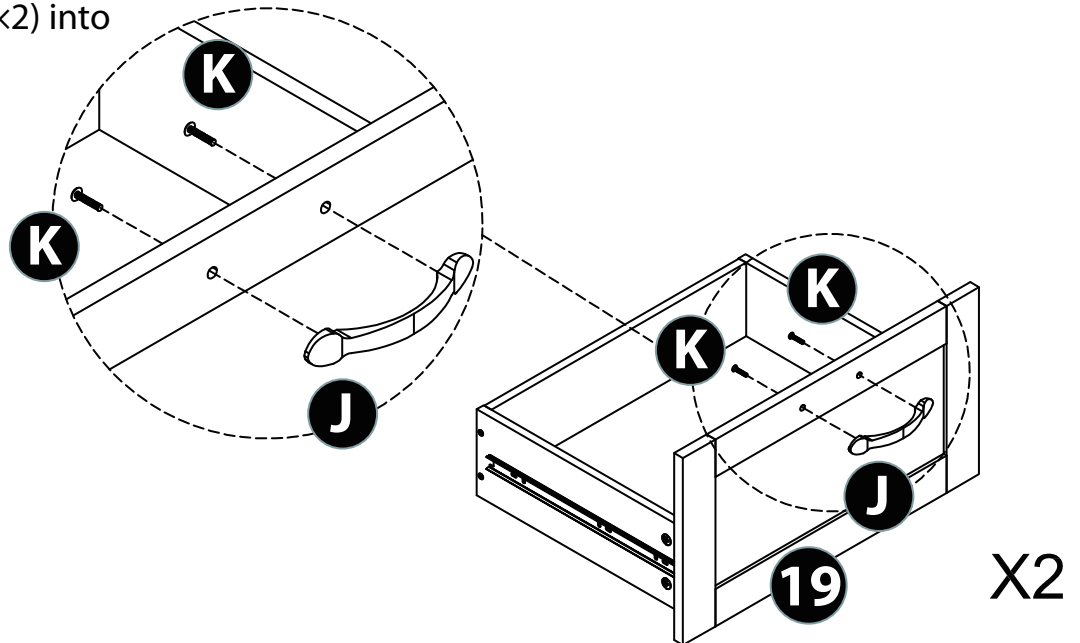
Select 19(x2) and B(x8).  
Insert 19(x1) into 20 and 21 with  
B(x4).  
Repeat for the other 19.



# ASSEMBLY INSTRUCTIONS

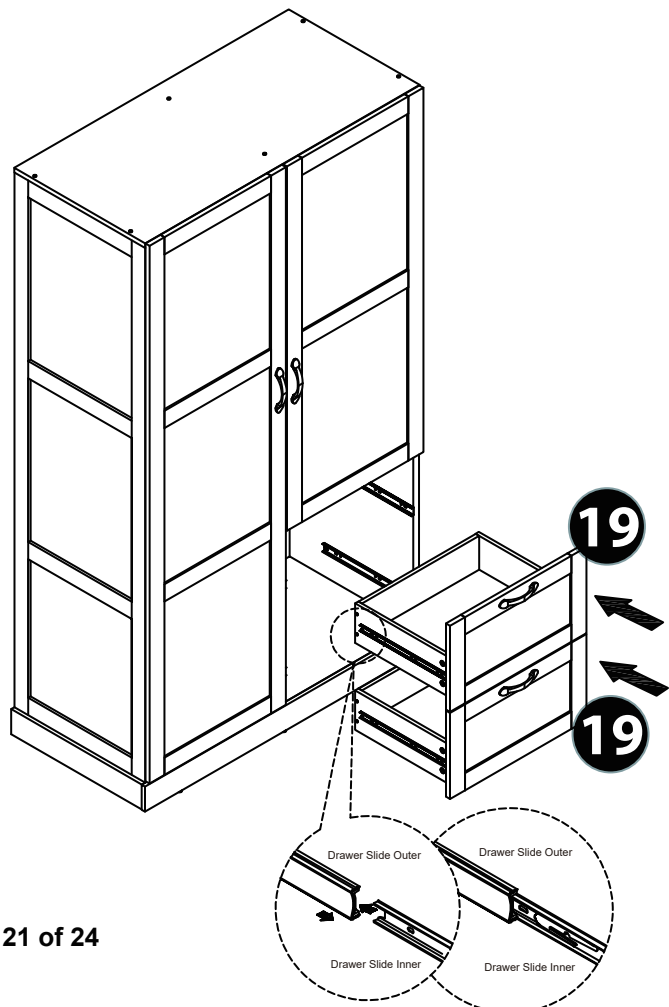
**33**

Select J(x2) and K(x4).  
Insert J(x2) into 19(x2) into  
K(x4).



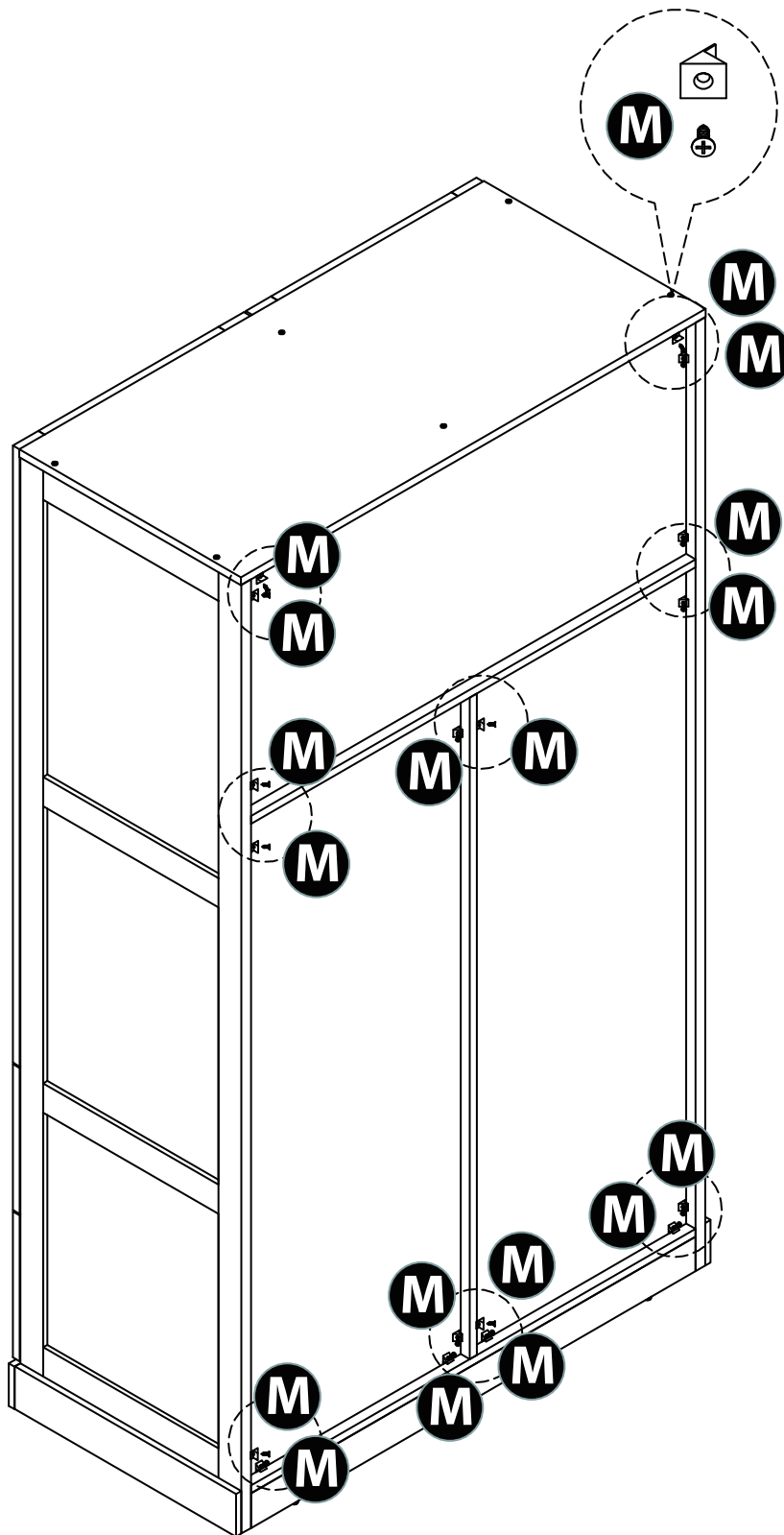
**34**

Install Drawer Slide Inner(x4)  
along the grooves of Drawer Slide  
Outer(x4).



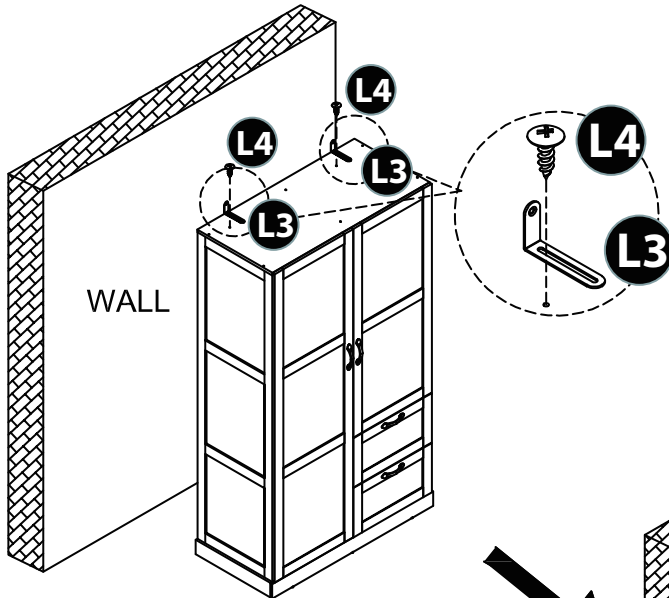
# ASSEMBLY INSTRUCTIONS

37

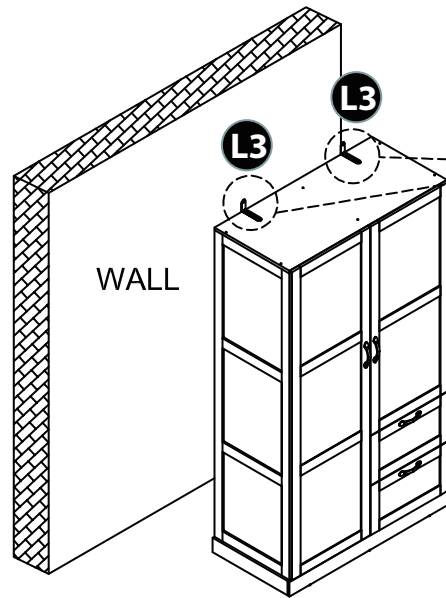


# ASSEMBLY INSTRUCTIONS

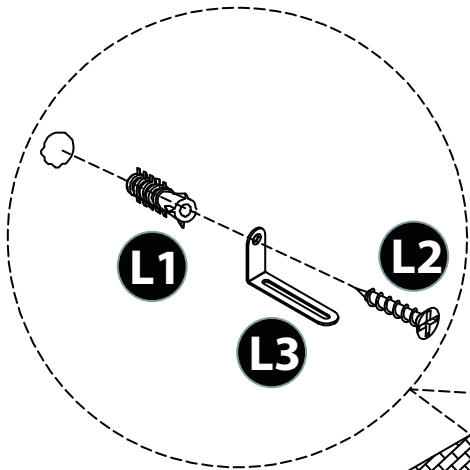
38



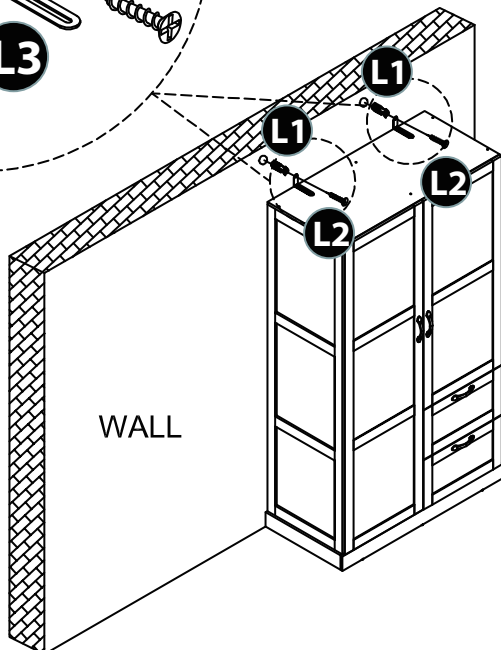
Install the anti-device buckle in the cabinet



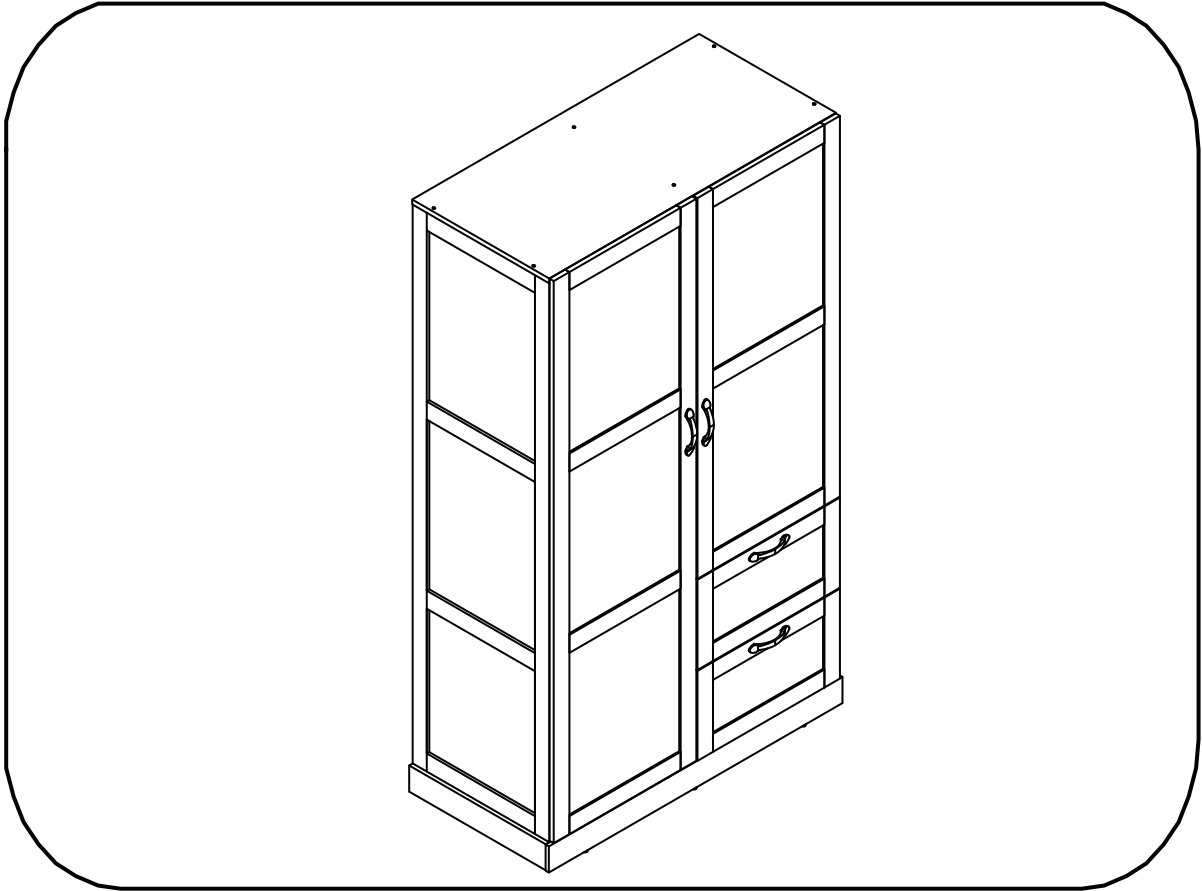
Punch four  $\phi 6 \times 40$  holes in the wall to install accessory L



Attach the anti-device clasp to the wall



**ASSEMBLY COMPLETE**



**CONGRATULATION, YOUR KITCHEN  
STORAGE KITCHEN CABINET IS COMPLETE!**