

ASSEMBLY INSTRUCTIONS



Fine Furniture for every stage of life

TV CONSOLE

ASSEMBLY INSTRUCTIONS

ASSEMBLY TIPS:

1. Remove hardware from box and sort by size.
2. Please check to see that all hardware and parts are present prior to start of assembly.
3. Please follow attached instructions in the same sequence as numbered to assure fast & easy assembly.



WARNING!

1. Don't attempt to repair or modify parts that are broken or defective. Please contact the store immediately.
2. This product is for home use only and not intended for commercial establishments.



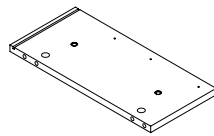
ASSEMBLY TIME

60 MINUTES

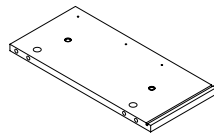
MAX TV SIZE : 75"

PARTS IDENTIFICATION

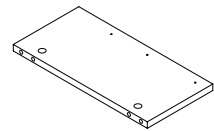
A LEFT SIDE PANEL 1 PC



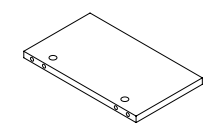
B RIGHT SIDE PANEL 1 PC



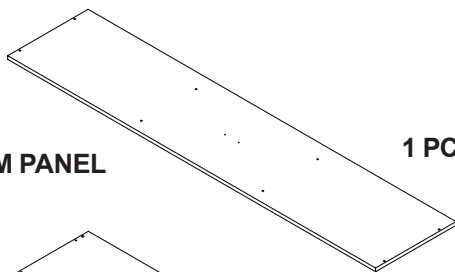
C LOWER DIVIDER PANEL 2 PCS



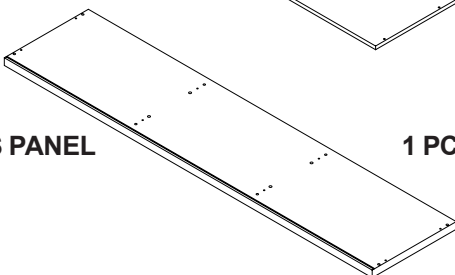
D UPPER DIVIDER PANEL 2 PCS



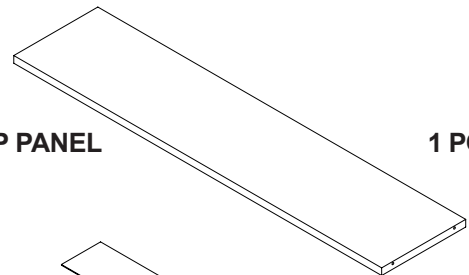
E BOTTOM PANEL 1 PC



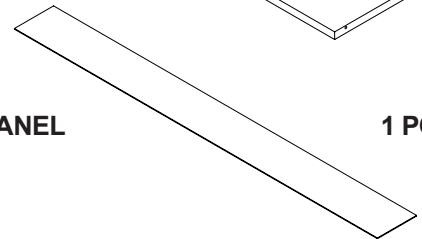
F CROSS PANEL 1 PC



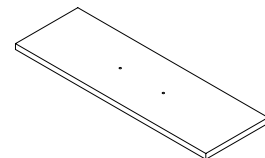
G TOP PANEL 1 PC



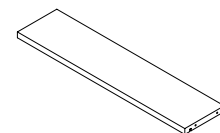
H BACK PANEL 1 PC



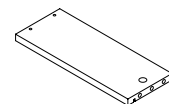
I DRAWER FRONT PANEL 3 PCS



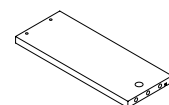
J DRAWER BACK PANEL 3 PCS



K DRAWER LEFT SIDE PANEL 3 PCS

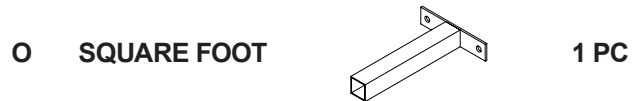
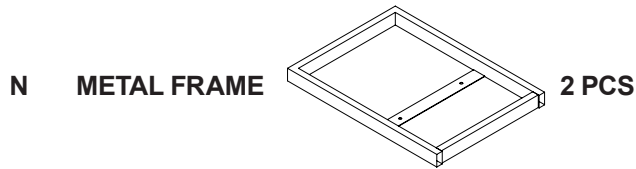
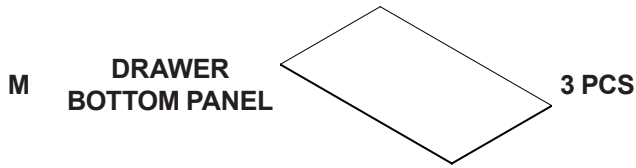


L DRAWER RIGHT SIDE PANEL 3 PCS

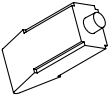
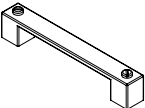
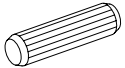

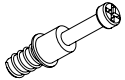
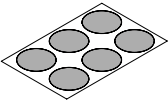

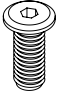



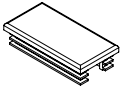
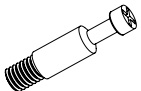

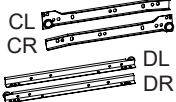




NOTE:

Phillips head screw driver is required in the assembly process; however, manufacturer does not provide this item.



HARDWARE IDENTIFICATION

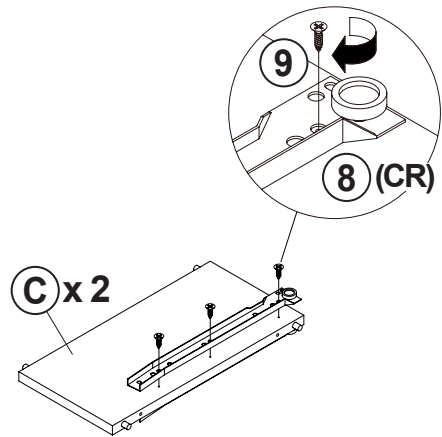
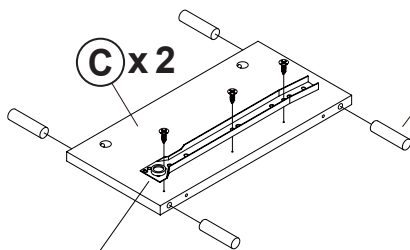
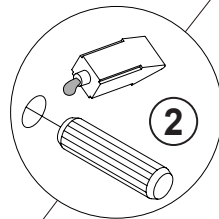
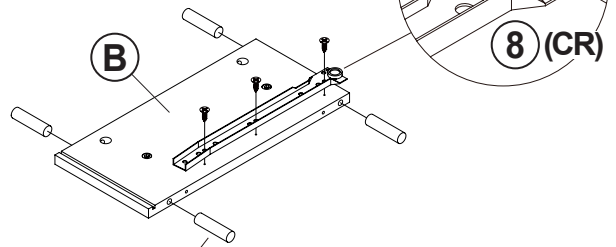
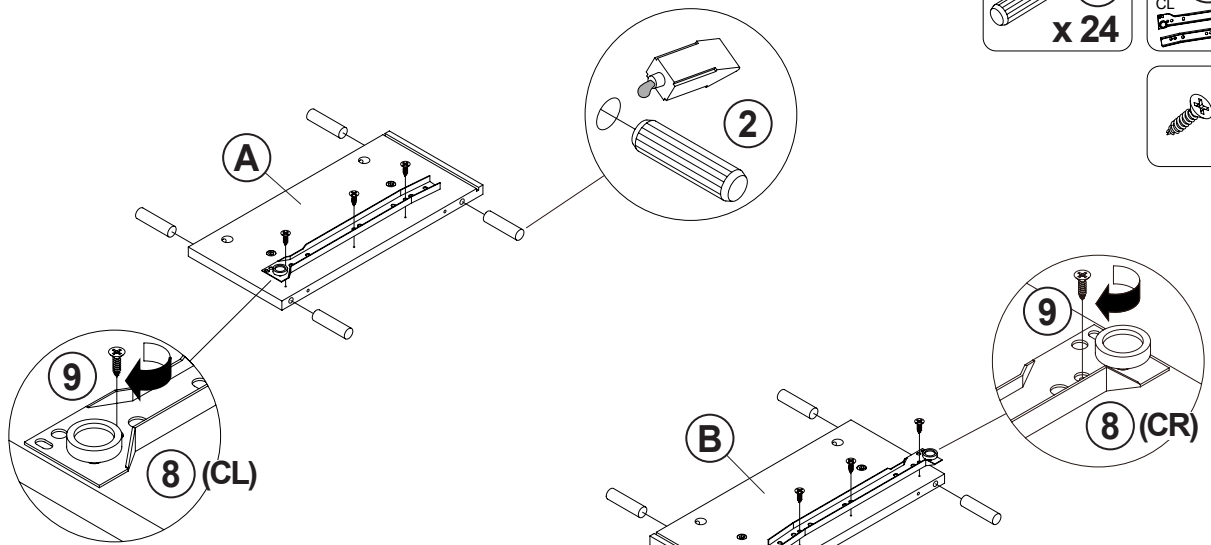
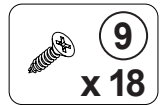
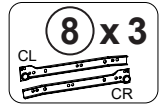
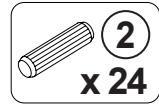
Z							
NO	DESCRIPTION	FIGURE	Q'TY	NO	DESCRIPTION	FIGURE	Q'TY
1	GLUE 40g		1 PC	10	HANDLE		3 PCS
2	WOODEN DOWEL Ø8x30mm		36 PCS	11	HANDLE BOLT Ø4x28mm BLK		6 PCS
3	CAM BOLT Ø7x35.5mm SR		18 PCS	12	STICKER Ø20mm		4 PCS
4	CAM LOCK Ø15x12mm SR		22 PCS	13	BOLT M6x18mm BLK		4 PCS
5	SCREW Ø4.5x42mm SR		12 PCS	14	SCREW Ø4x18mm BLK		2 PCS
6	SCREW Ø4.3x35mm SR		12 PCS	15	FLOOR PROTECTOR 40x20mm		4 PCS
7	CAM BOLT M6x31.5mm BLK		4 PCS	16	FLOOR PROTECTOR 18x18mm		1 PC
8	RAIL L = 300mm BLK		3 SET	17	ALLEN WRENCH 3mm SR		1 PC
9	SCREW Ø3x10mm BLK		36 PCS				

Z8,Z10 not included in blister packaging.

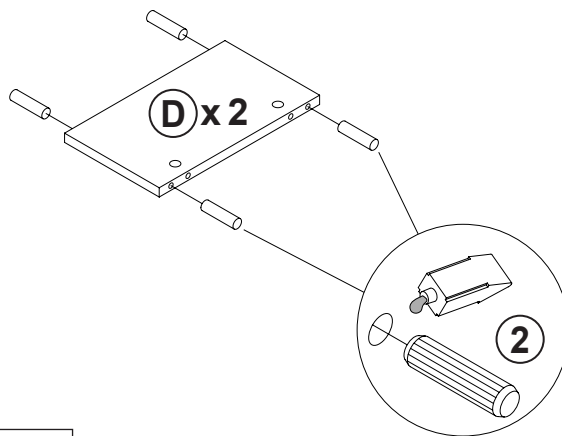
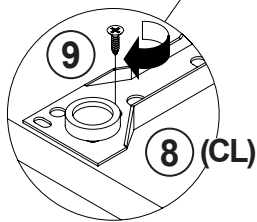
NOTE:

Phillips head screw driver is required in the assembly process; however, manufacturer does not provide this item.

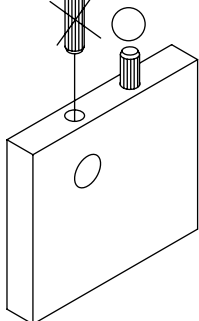
STEP 1



the reverse side

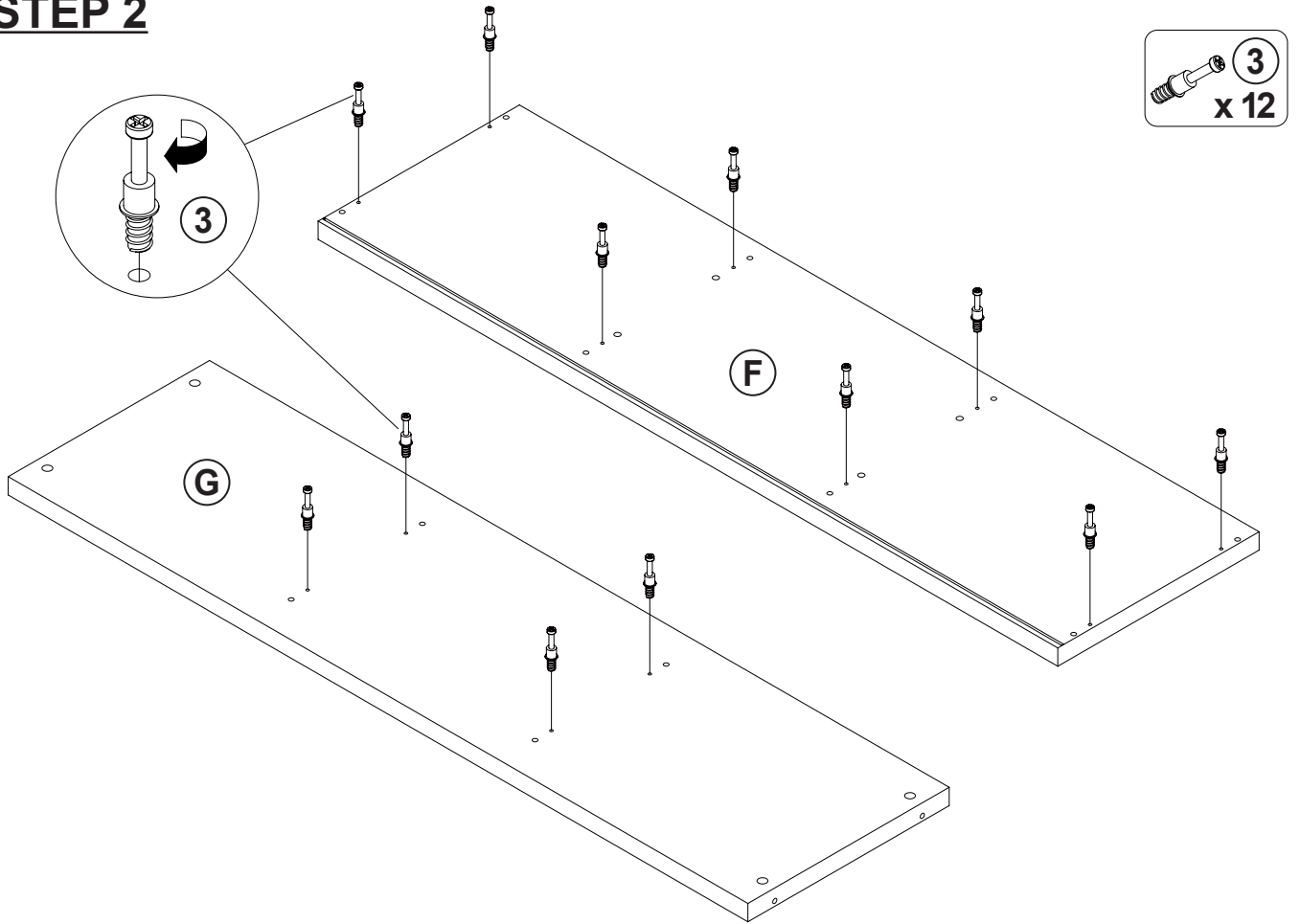


INCORRECT
CORRECT

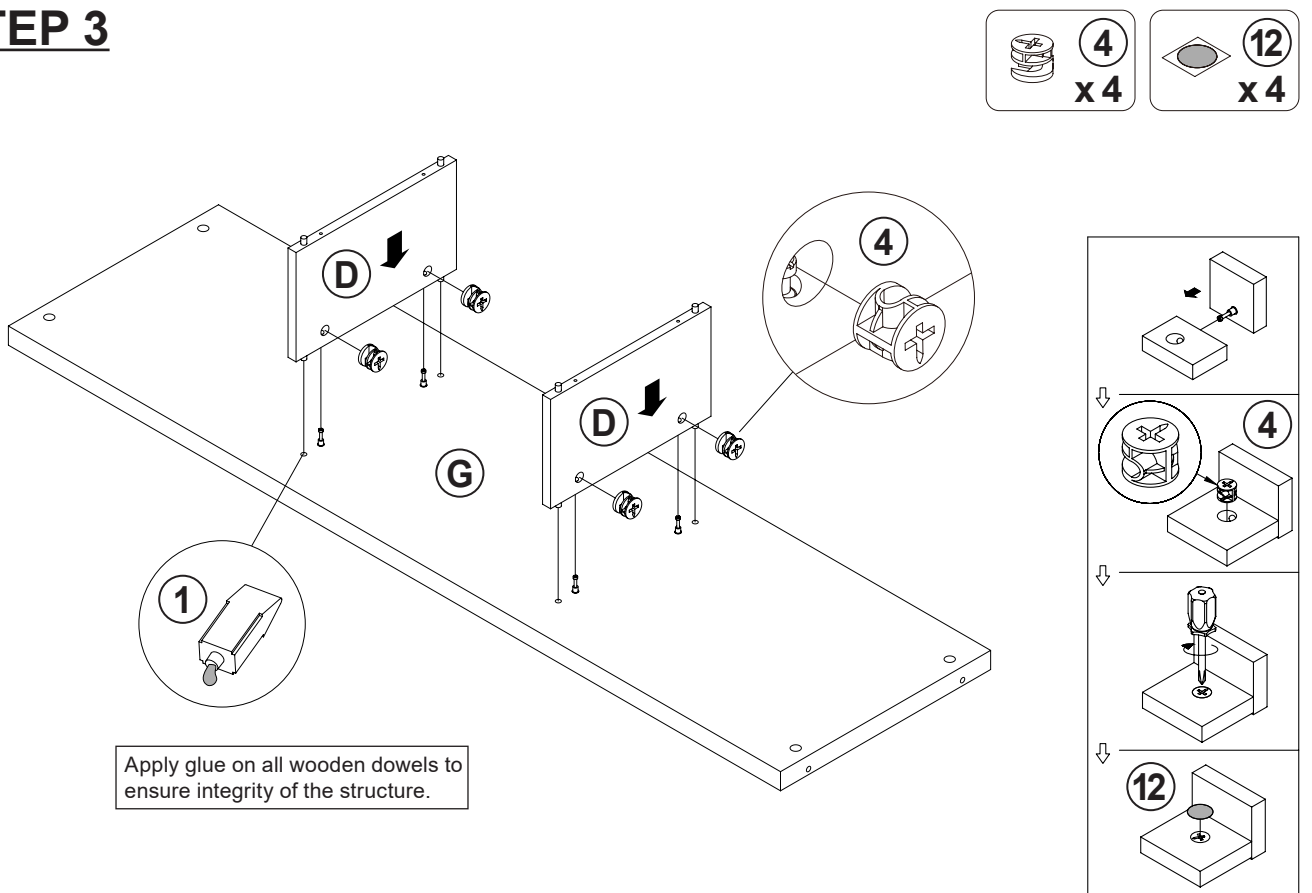


Apply glue on all wooden dowels to ensure integrity of the structure.

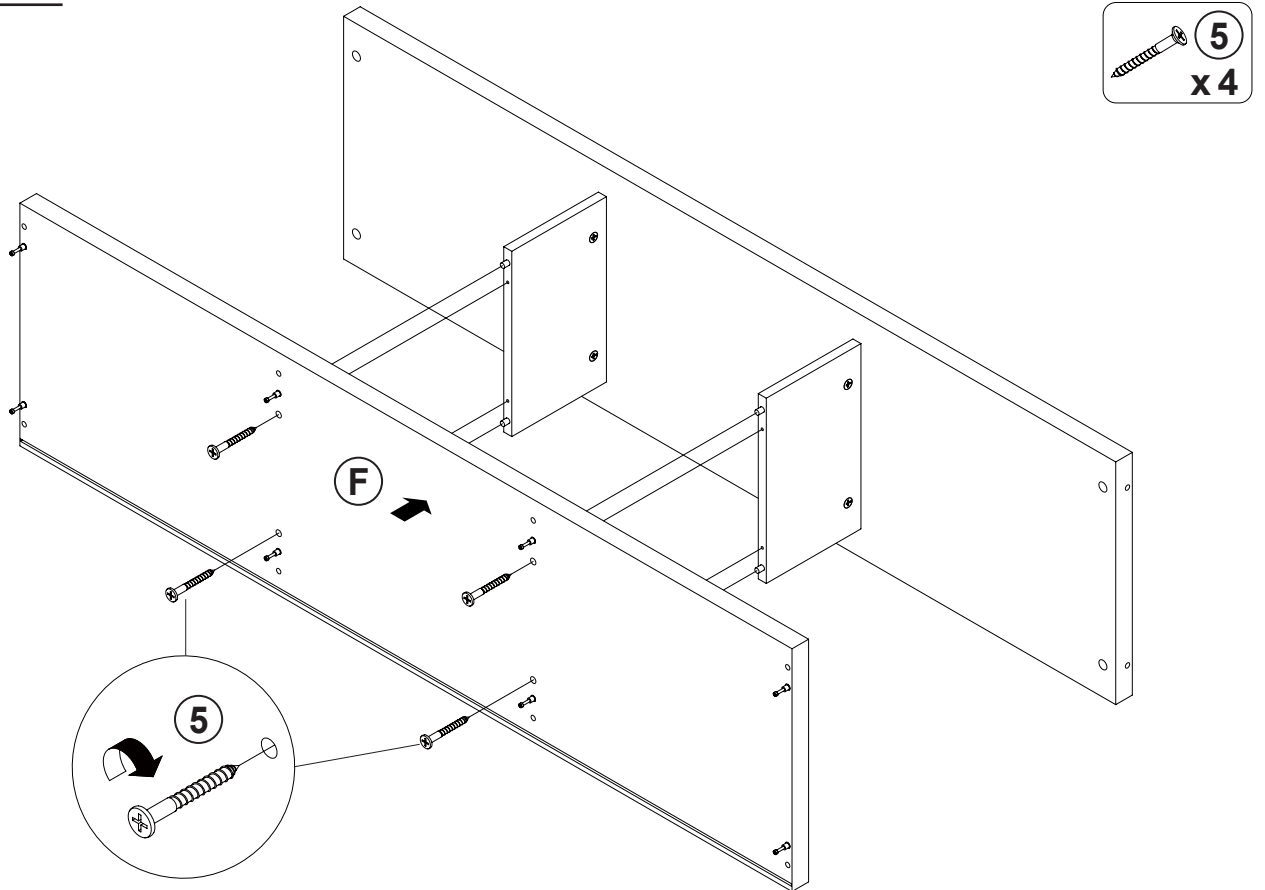
STEP 2



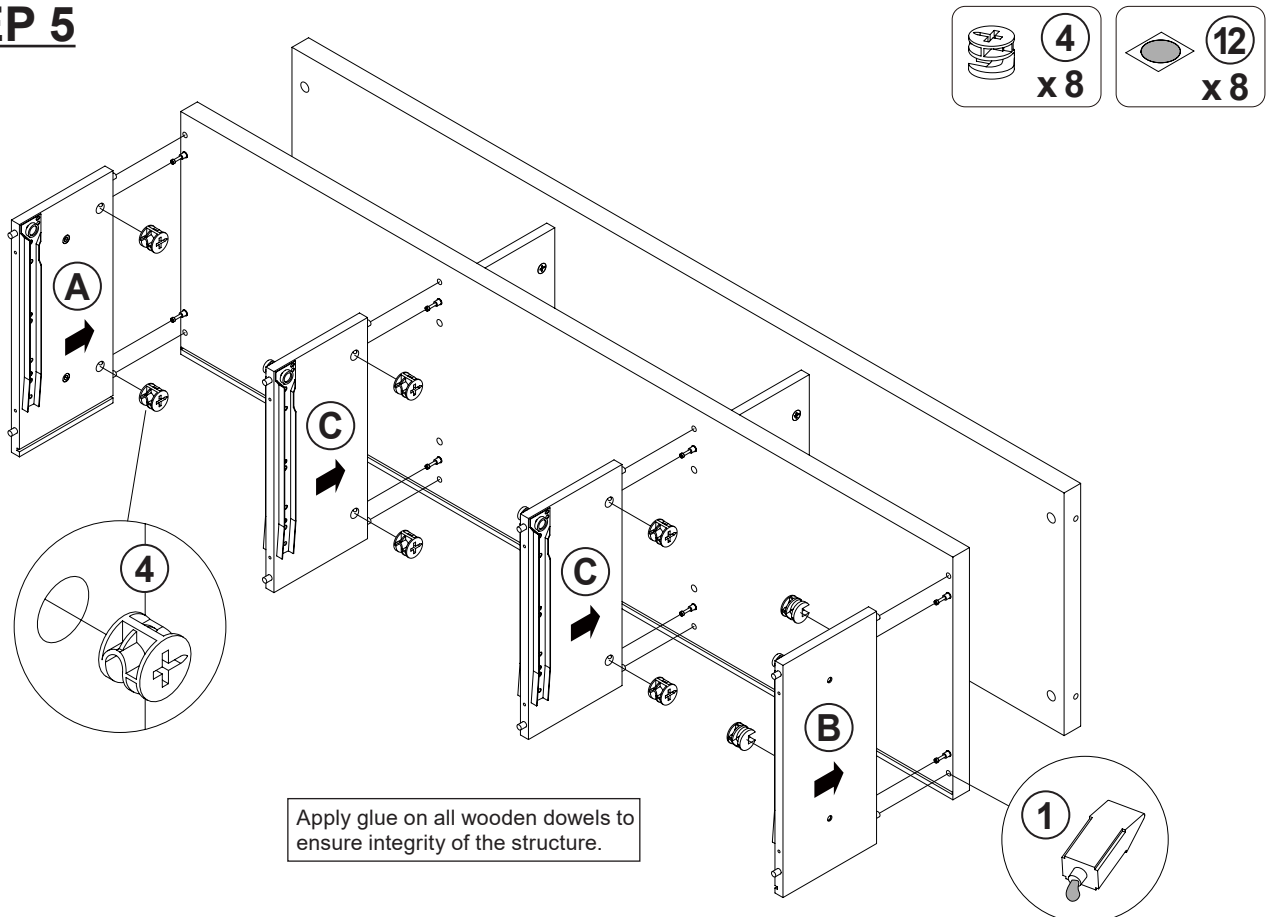
STEP 3



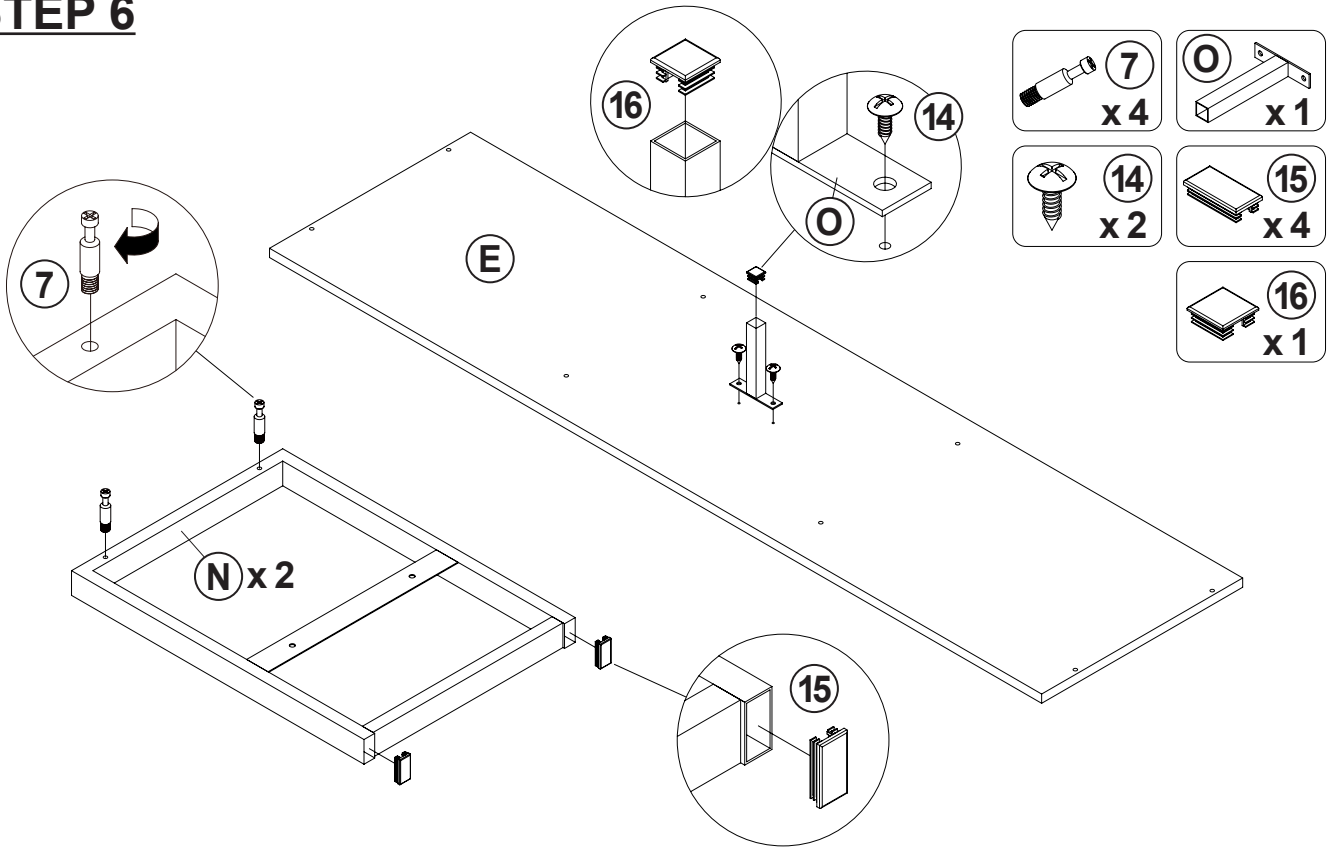
STEP 4



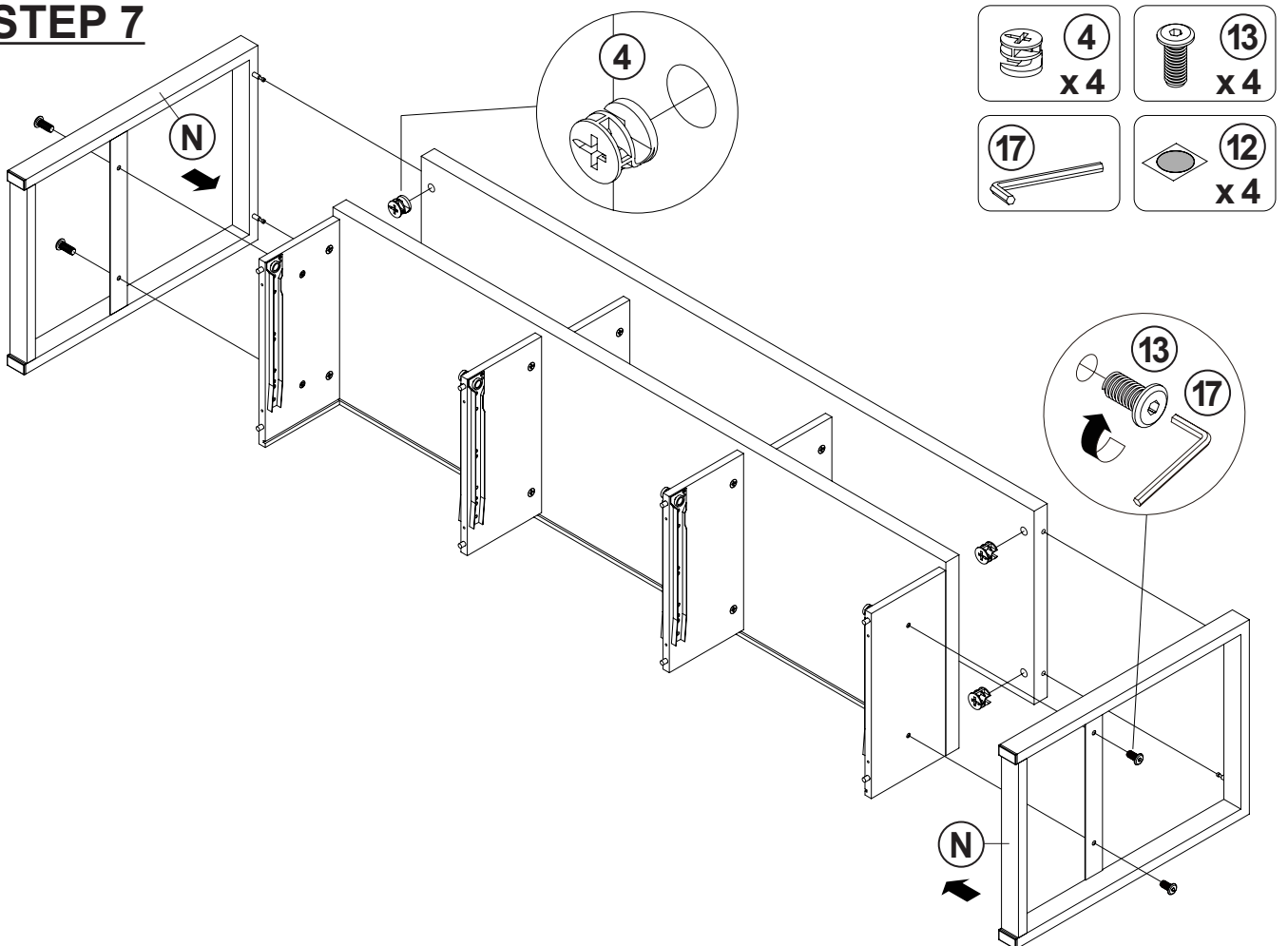
STEP 5



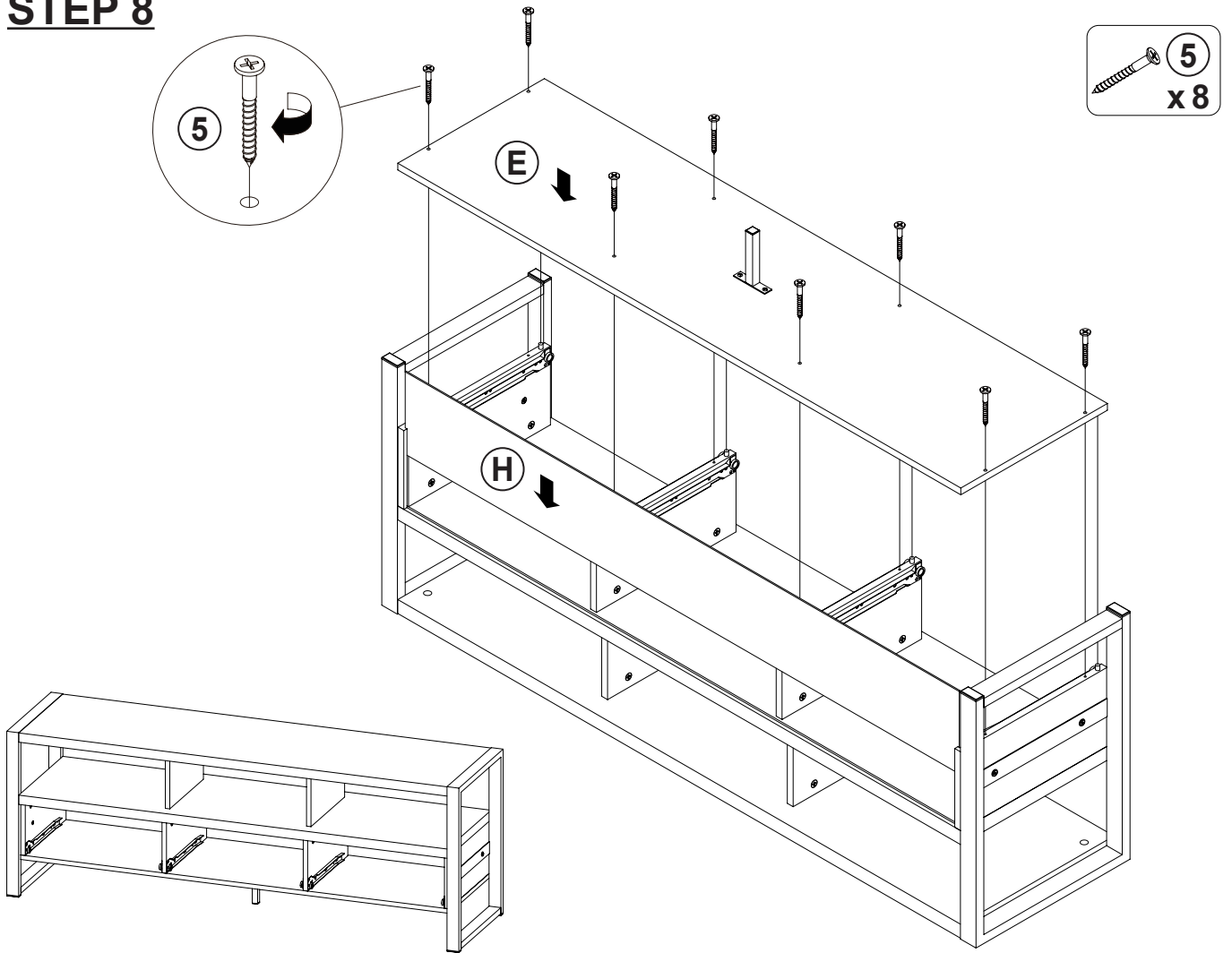
STEP 6



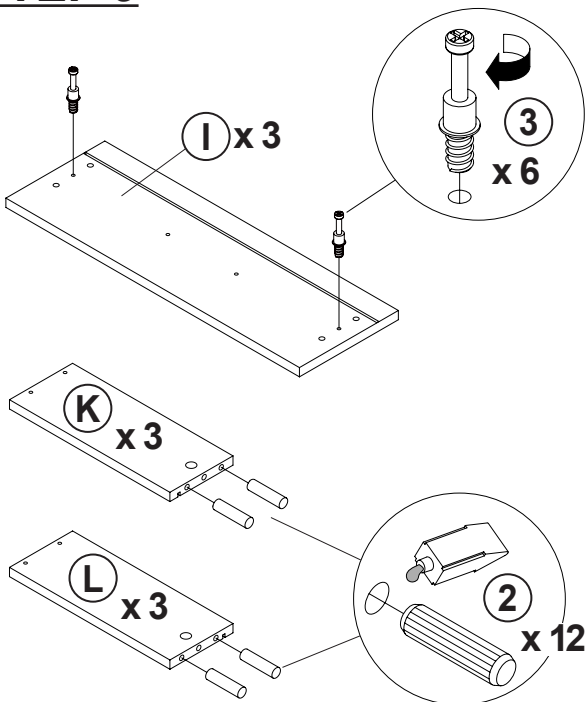
STEP 7



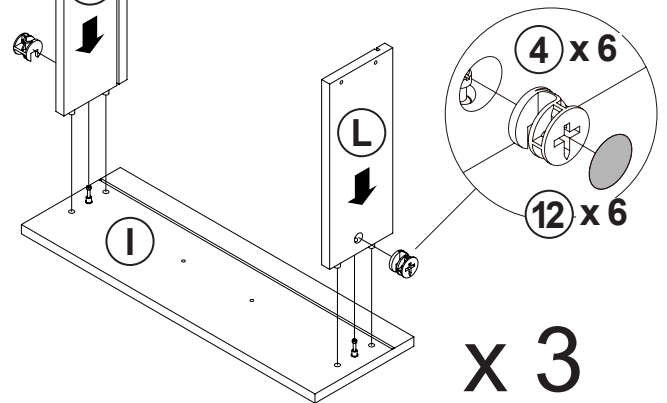
STEP 8



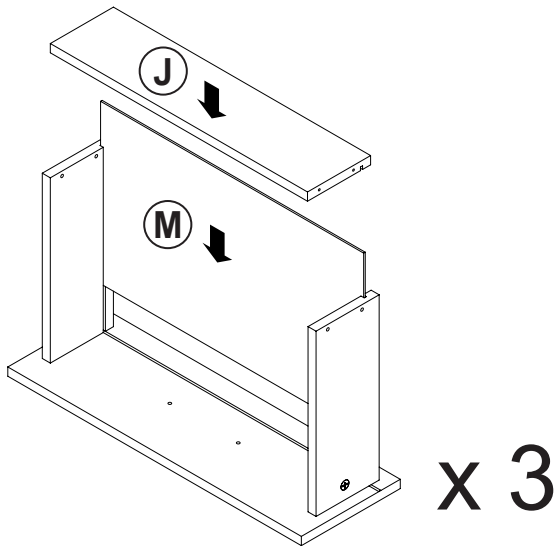
STEP 9



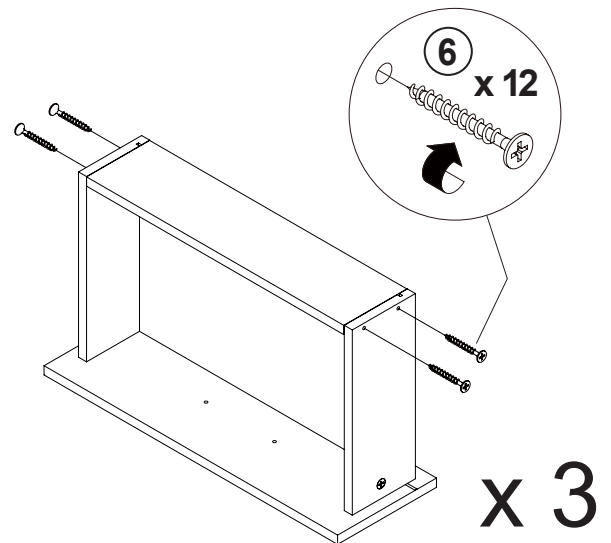
STEP 10



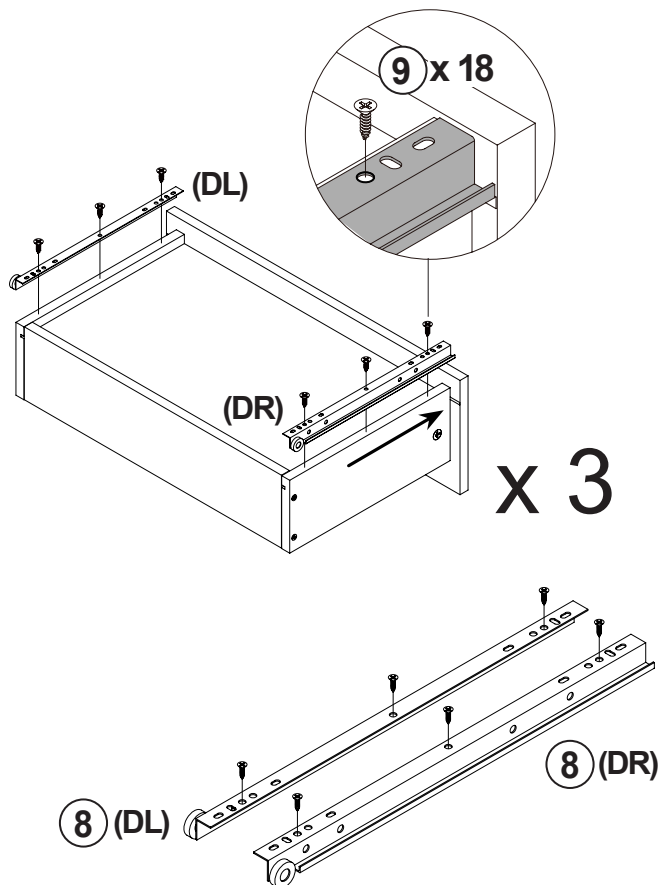
STEP 11



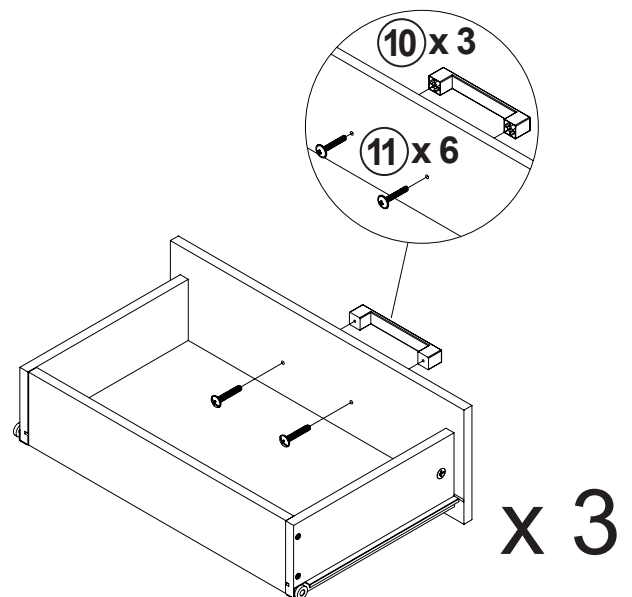
STEP 12



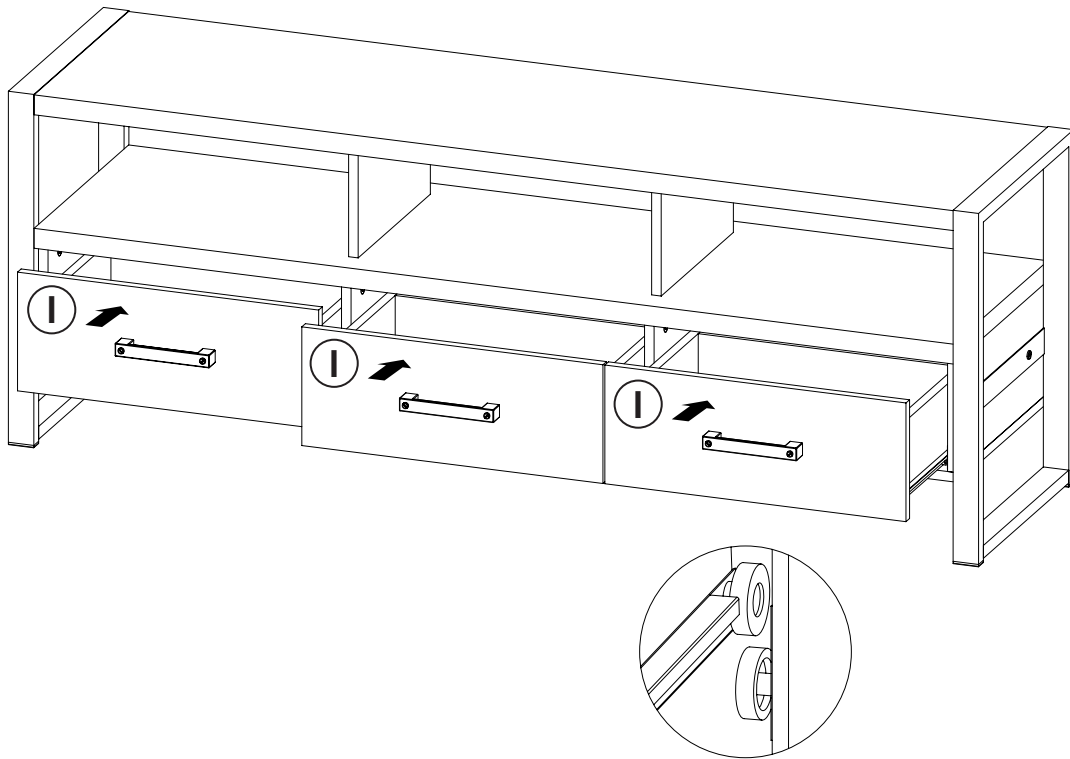
STEP 13



STEP 14

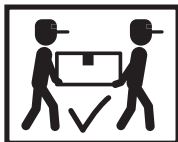
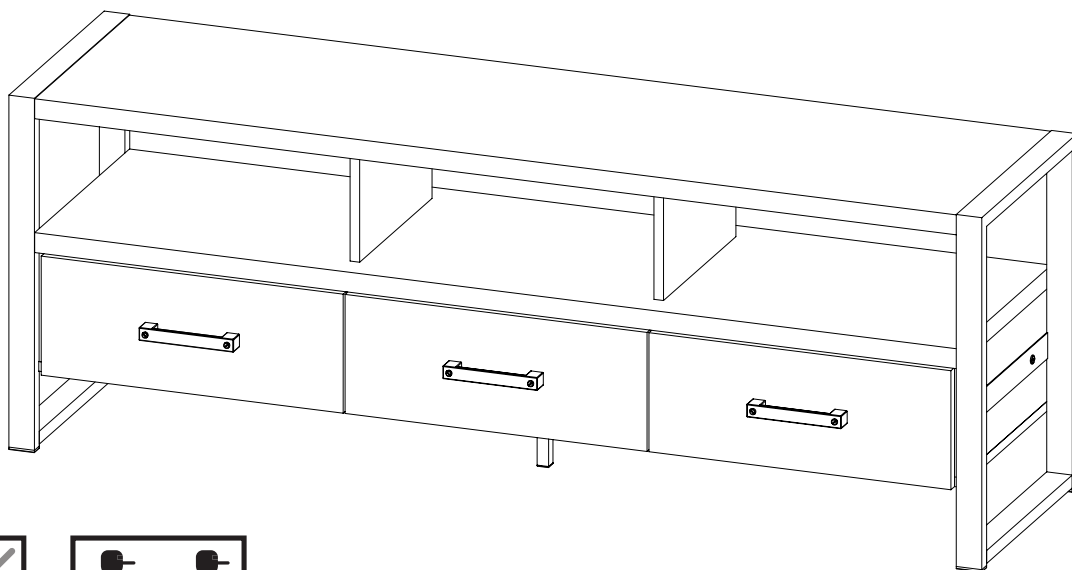


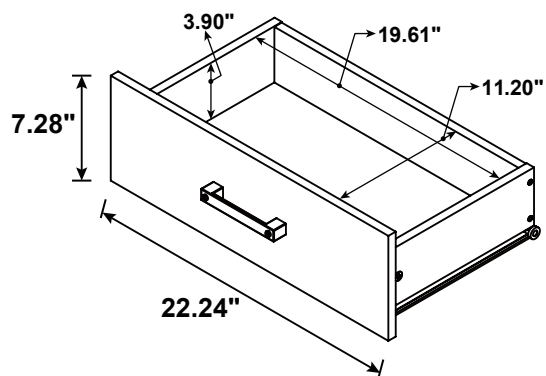
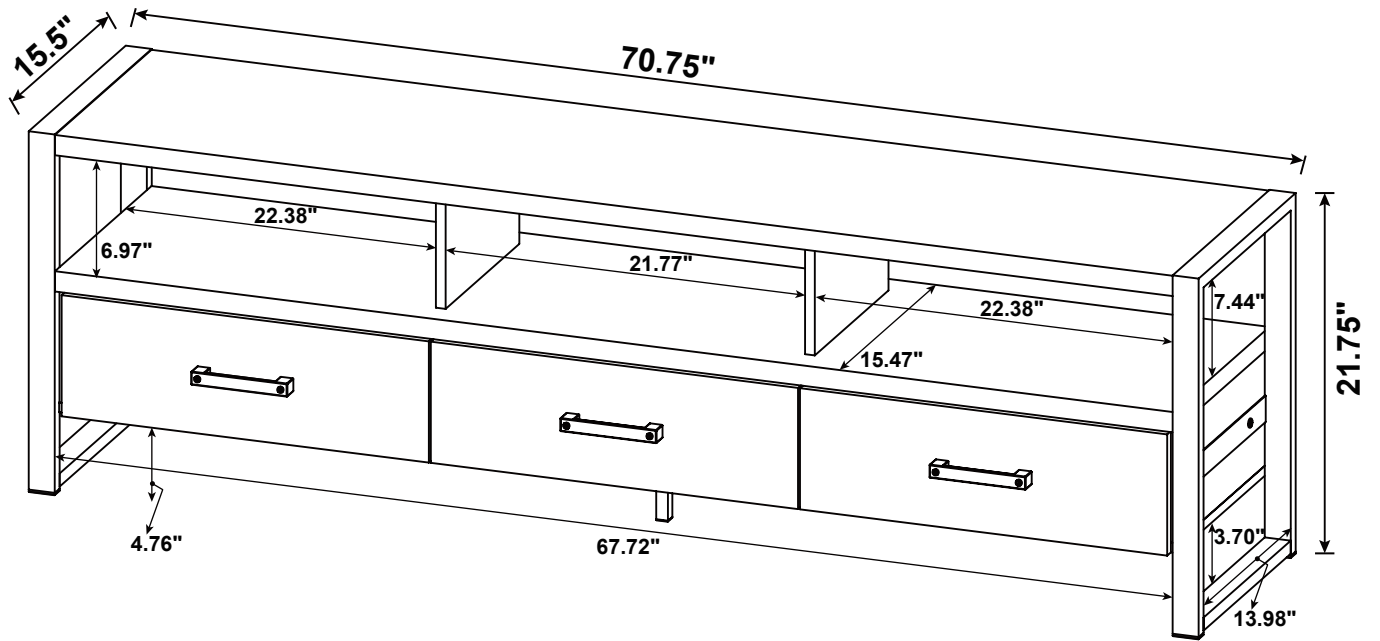
STEP 15



STEP 16

COMPLETE





Note : Dimension tolerance $\pm 5\%$