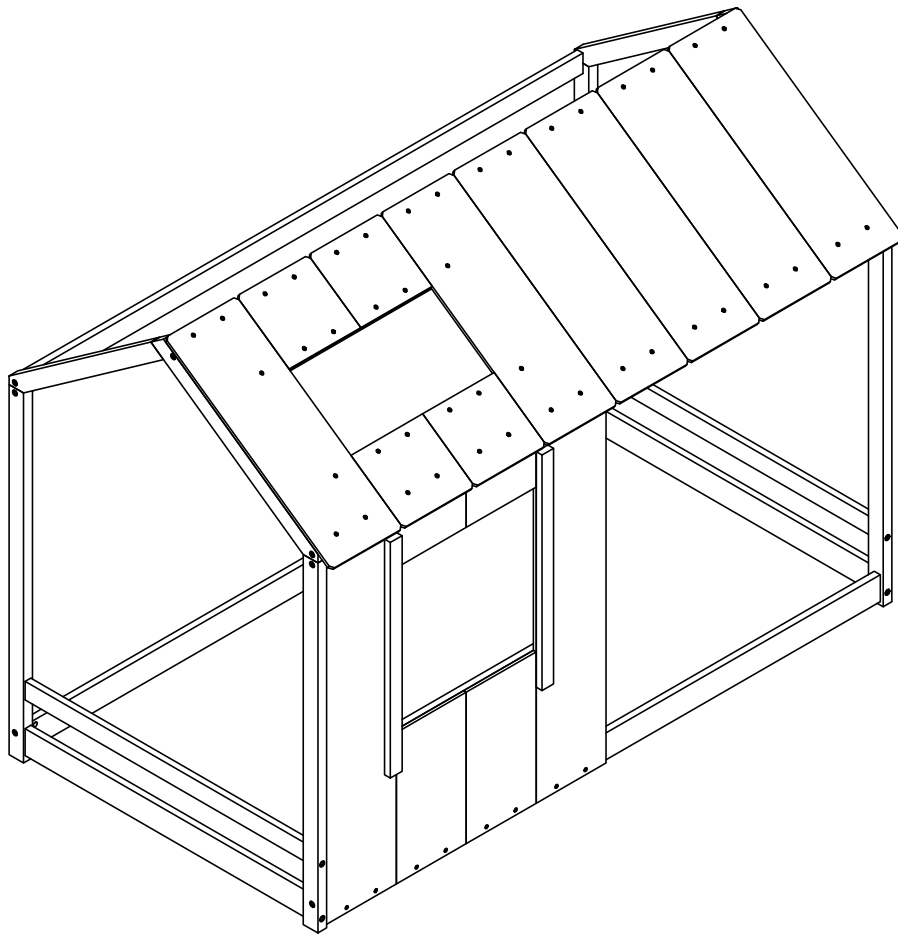


ASSEMBLY INSTRUCTIONS

HOUSE BED WITH WINDOW



This set is included 1 boxes if don't receive full 1 boxes please contact our customer service team.

WF294130

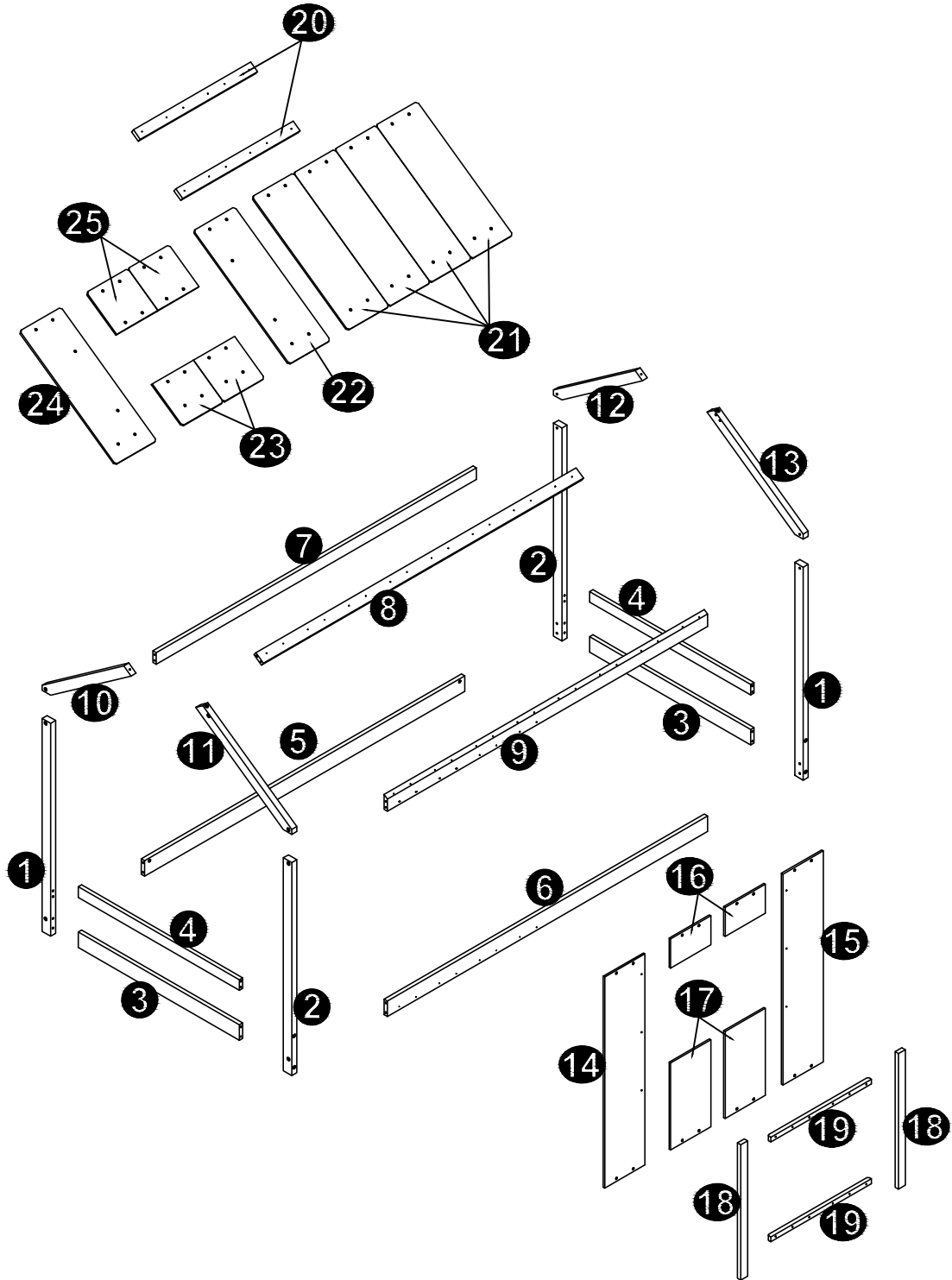
SAFETY WARNINGS AND GENERAL NOTES:

1. Do not use substitute parts. Contact the manufacturer or dealer for replacement parts.
2. Keep these instructions for future reference.
3. We recommend assembling your bed on the shipping carton to protect your floor or carpet.
4. Be certain all staples are out of the box before beginning assembly on the shipping carton.

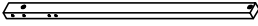
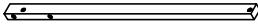
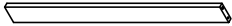
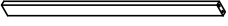
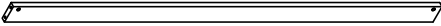

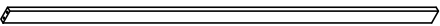
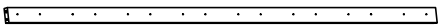
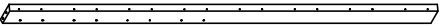
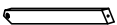
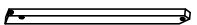
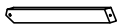
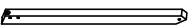
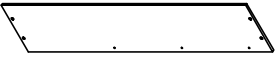

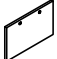
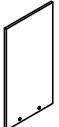

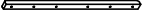
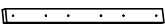

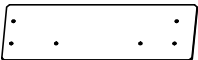


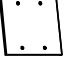
5.Replacement Parts:

Replacement Parts, including additional guardrails, may be obtained from any of our (GIGACLOUD TECHNOLOGY (USA) INC.) dealers

Detail View


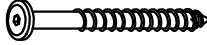


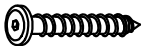




Part List(WF294130)

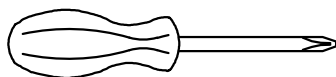
<p>1</p>  <p>Legs Front Right Back Left- 2pcs</p>	<p>2</p>  <p>Legs Front Left Back Right - 2pcs</p>	<p>3</p>  <p>Lower Hip Bar- 2pcs</p>
<p>4</p>  <p>Upper Hip Bars - 2pcs</p>	<p>5</p>  <p>Back Bed Shoulder - 1pc</p>	<p>6</p>  <p>Front Bed Shoulder - 1pc</p>
<p>7</p>  <p>Rear Roof Bar - 1pc</p>	<p>8</p>  <p>Roof Link Horizontal Bar- 1pc</p>	<p>9</p>  <p>Front Roof Bar- 1pc</p>
<p>10</p>  <p>Rear Left Roof Diagonal Quiz- 1pc</p>	<p>11</p>  <p>Left Front Roof Riddle- 1pc</p>	<p>12</p>  <p>Right Rear Roof Riddle - 1pc</p>
<p>13</p>  <p>Right Front Roof Riddle - 1pc</p>	<p>14</p>  <p>Left window stand- 1pc</p>	<p>15</p>  <p>Right window stand - 1pc</p>
<p>16</p>  <p>Upper window stand- 2pcs</p>	<p>17</p>  <p>Lower window stand - 2pcs</p>	<p>18</p>  <p>Window quizzes- 2pcs</p>
<p>19</p>  <p>Quiz behind the window- 2pcs</p>	<p>20</p>  <p>Roof board puzzle - 2pcs</p>	<p>21</p>  <p>Roof plank- 4pcs</p>
<p>22</p>  <p>Roof plank- 1pc</p>	<p>23</p>  <p>Roof plank- 2pcs</p>	<p>24</p>  <p>Roof plank- 1pc</p>
<p>25</p>  <p>Roof plank - 2pcs</p>		

Part List(WF294130)

Hardware List



A  Ø8 x 40mm	B  Ø6 x 100mm	C  Ø1/4" x 65mm
Wood dowel (14pcs)	Hex-Head screw (8pcs)	Hex-Head bolt (4pcs)
D  Ø1/4"	E  Ø6 x 65mm	J  #4 x 25mm
Horizontal-Hole bolt (4pcs)	Hex-Head screw (12pcs)	Screw (78pcs)
G  K4mm Allen key (1pc)		

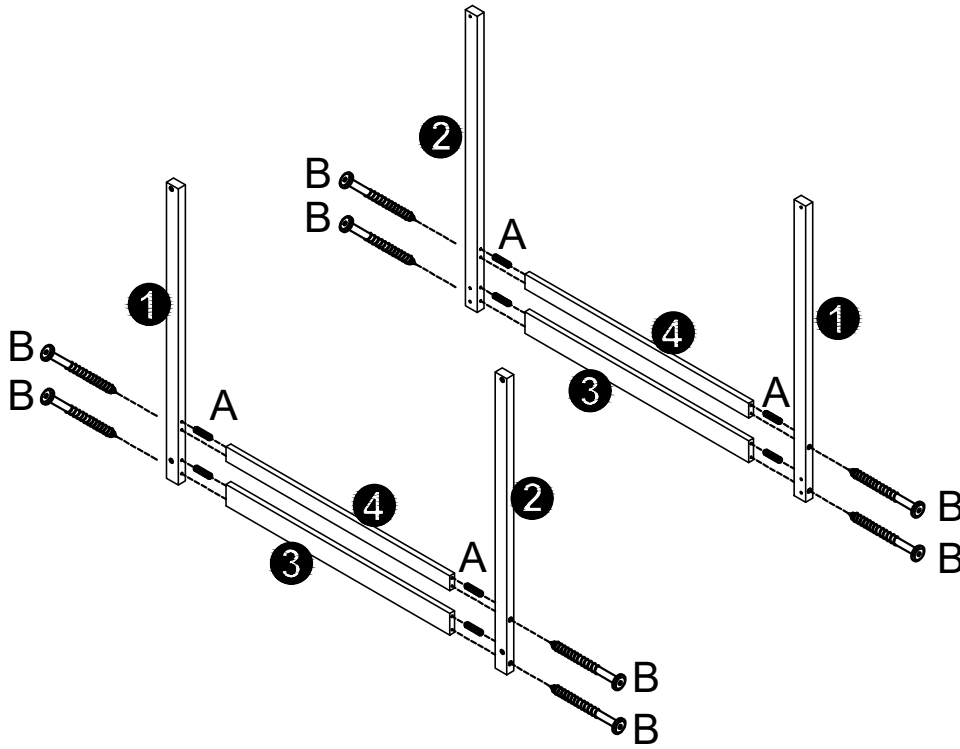
ASSEMBLY TOOLS REQUIRED (NOT INCLUDED)






PLEASE BE CAREFUL DO NOT DAMAGE THE HOLE POSITION WHEN YOU USE POWER TOOLS !

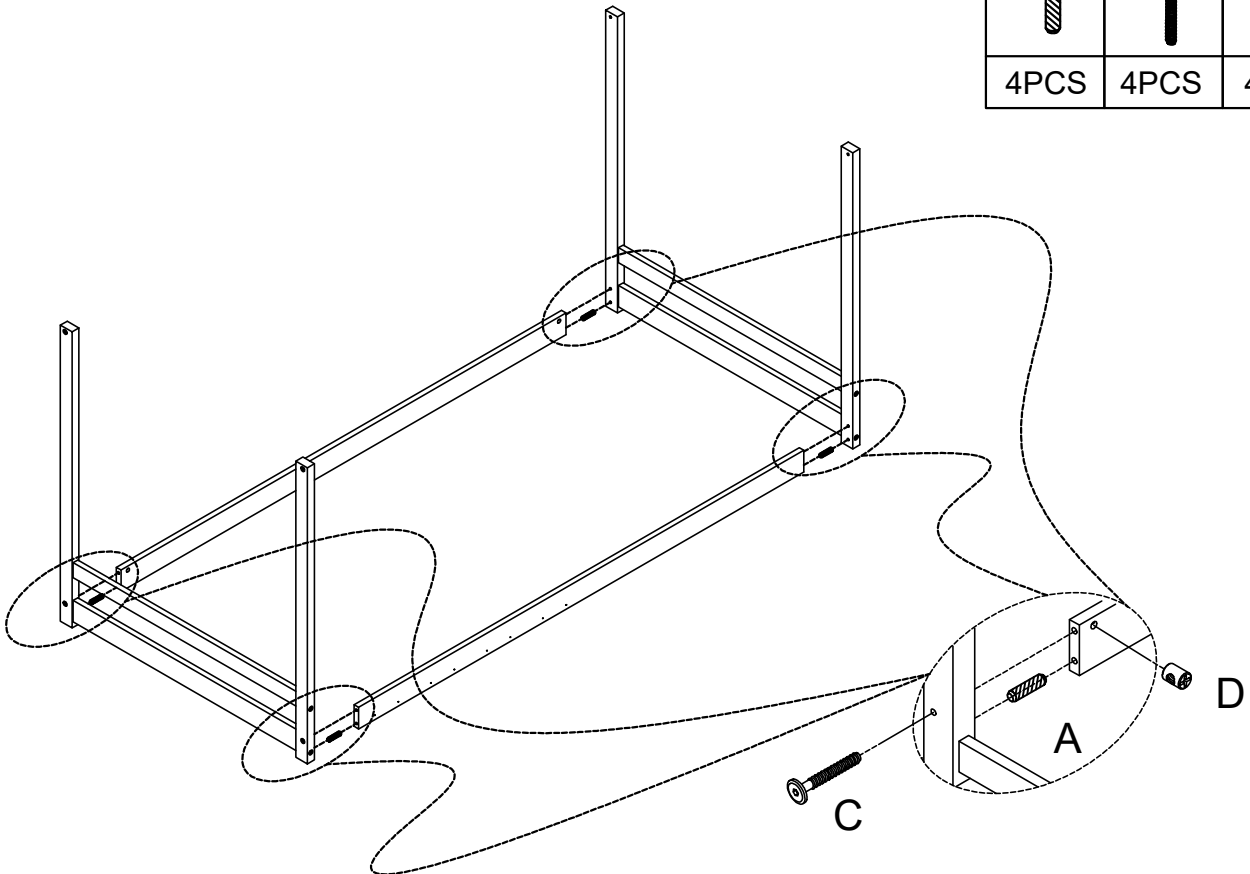
STEP 1

A	B
	
8PCS	8PCS




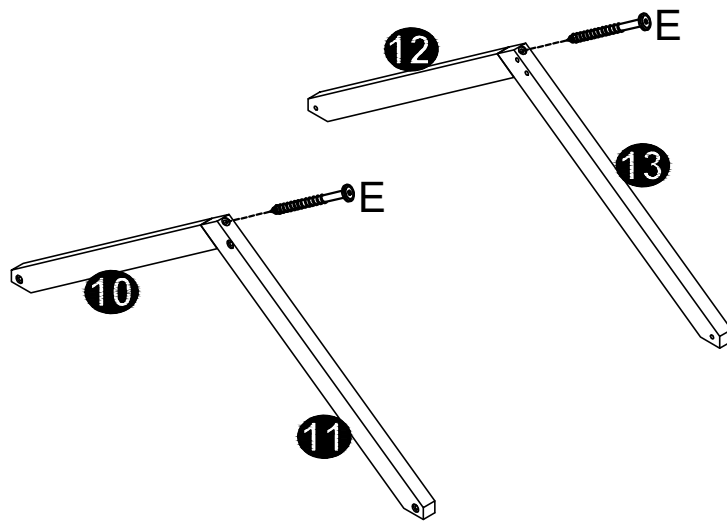
STEP 2

A	C	D
		
4PCS	4PCS	4PCS





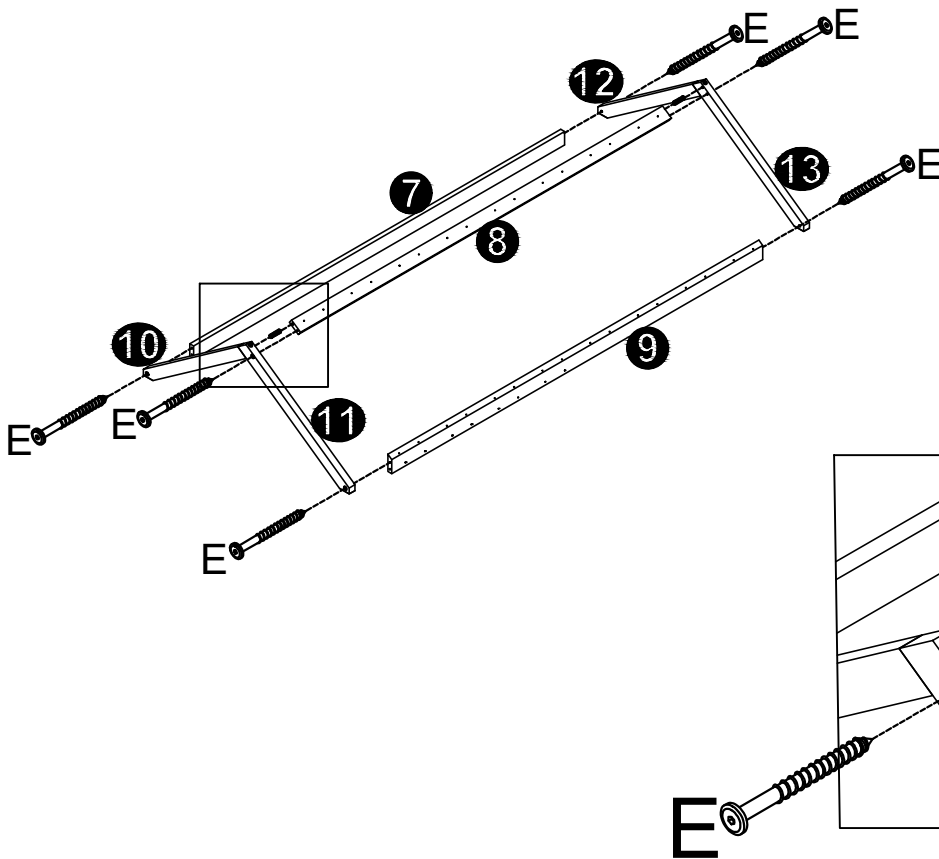
STEP 3

E	
2PCS	




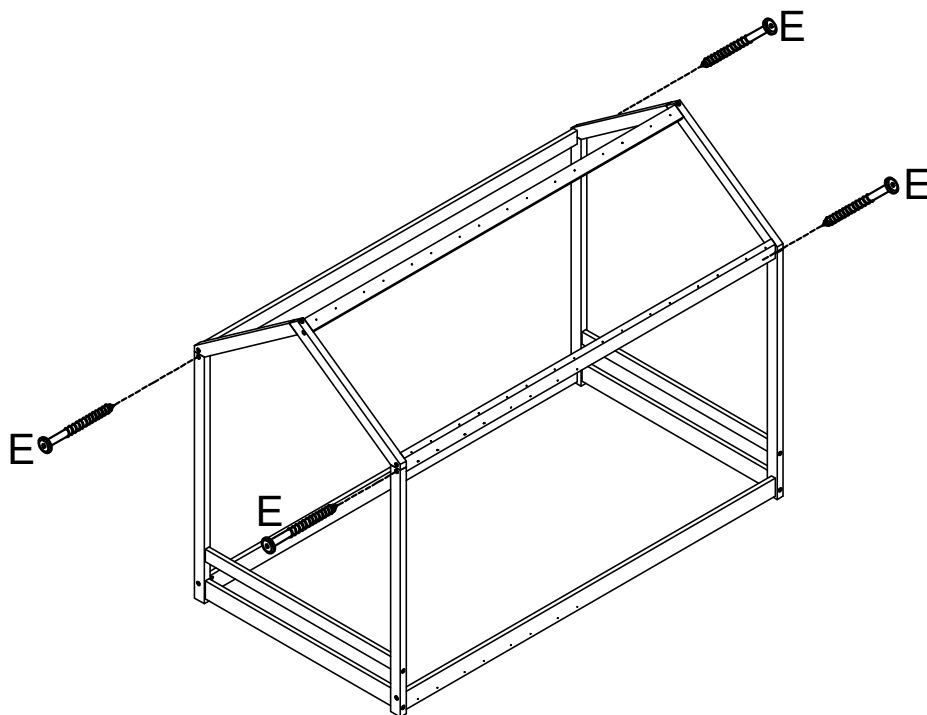
STEP 4

A	E
	
2PCS	6PCS




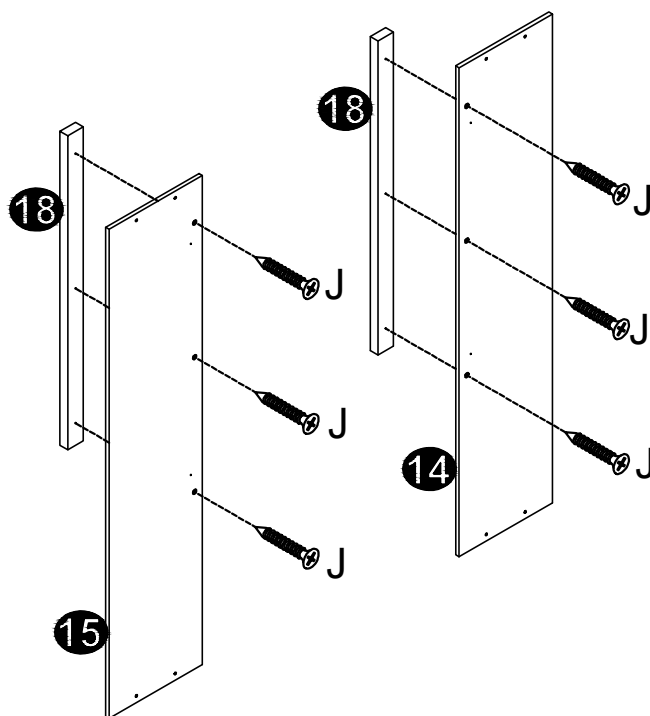
STEP 5

E

4PCS




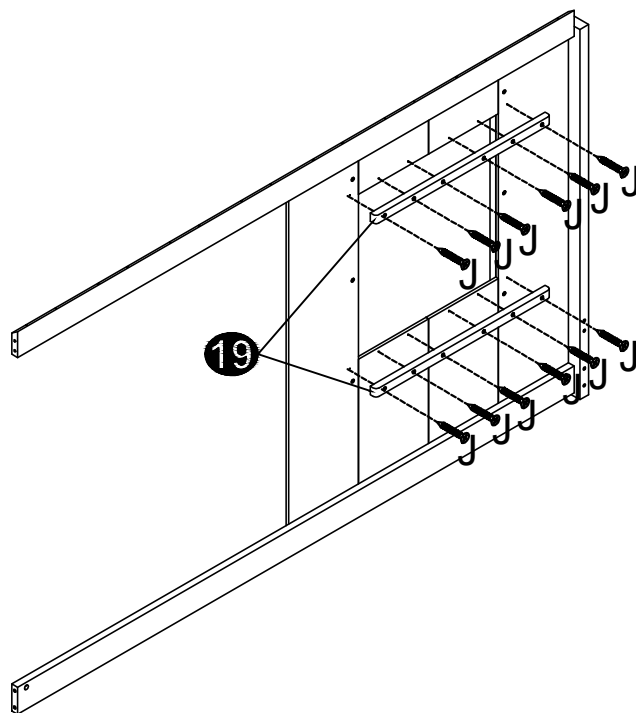
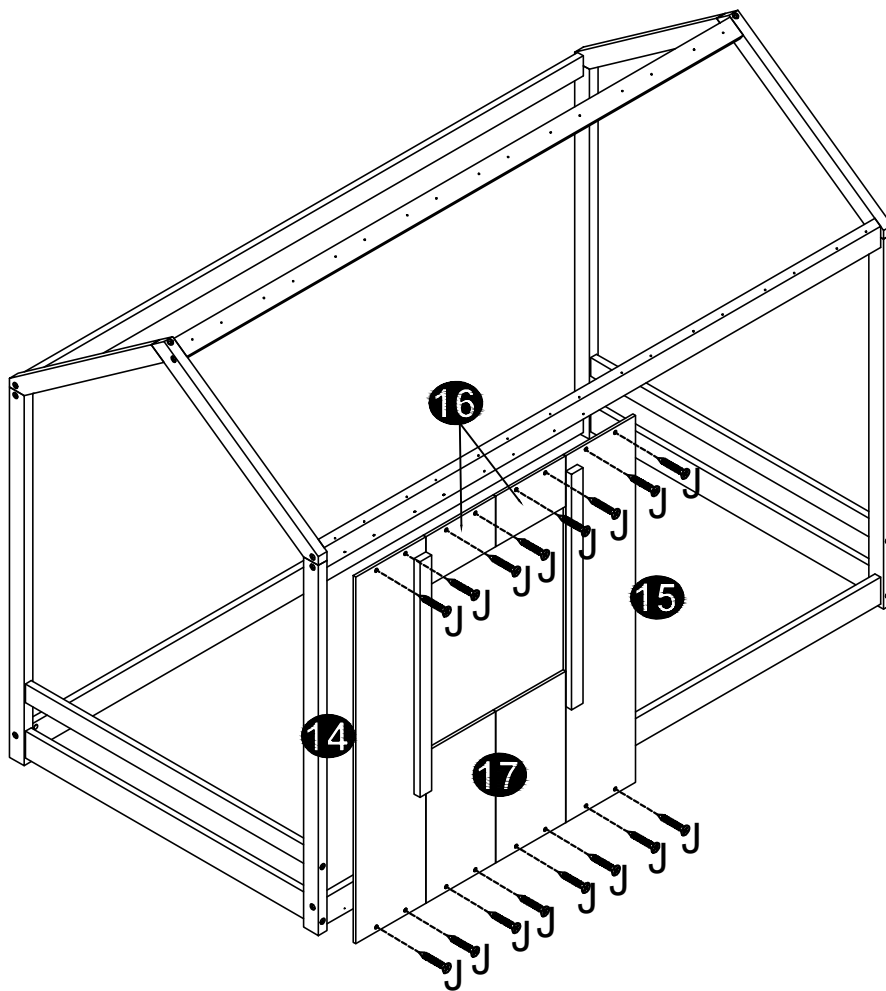
STEP 6

J

6PCS



STEP 7

J

28PCS

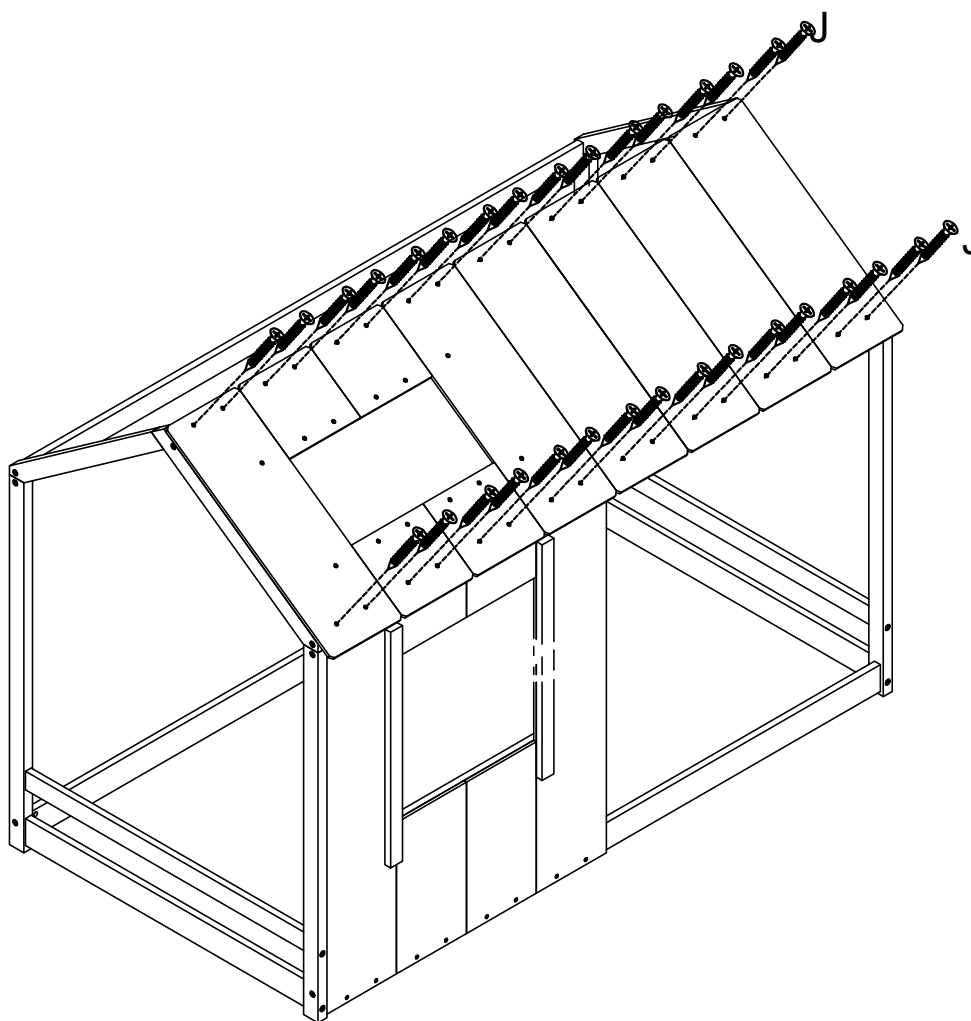
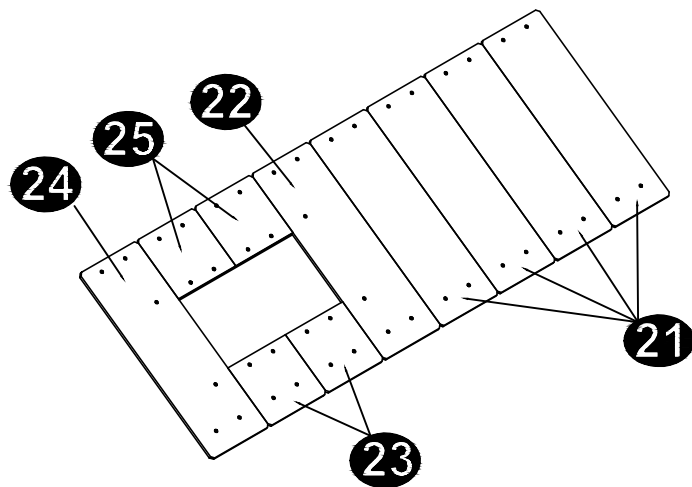


STEP 8


J

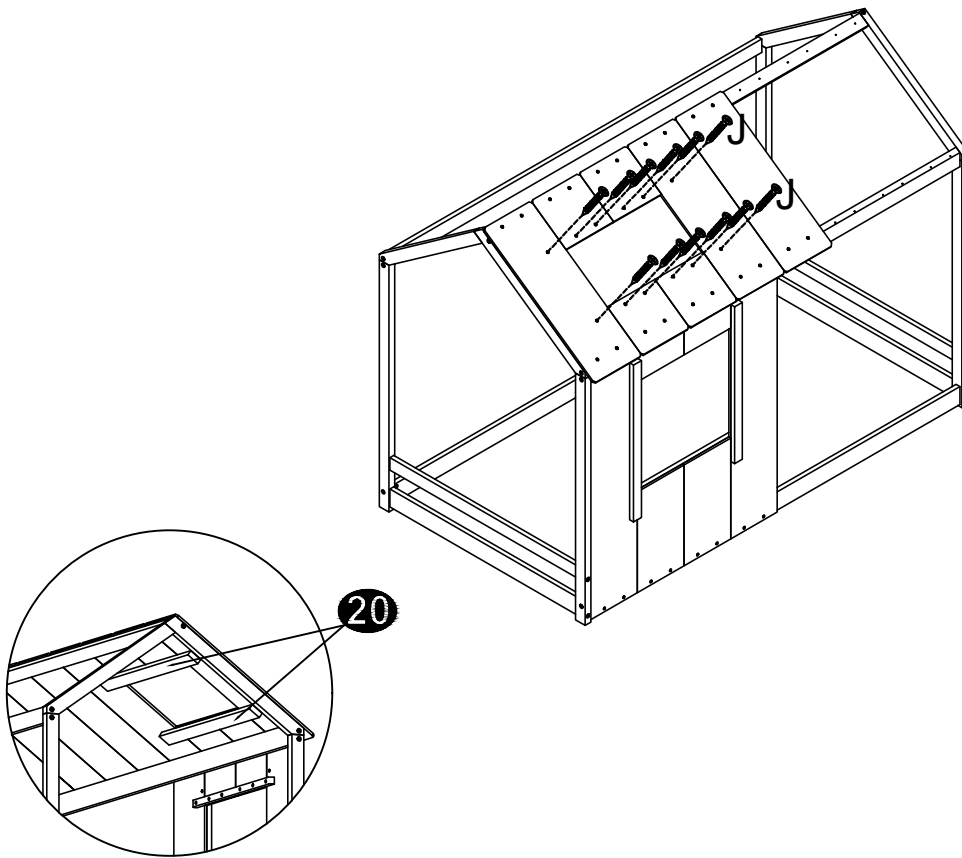


32PCS



STEP 9

J

12PCS



COMPLETED

