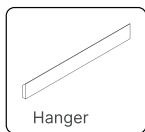
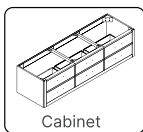


# INSTALLATION GUIDE

## PART LIST

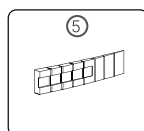
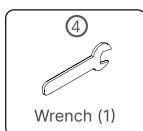
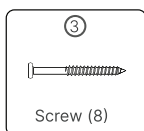
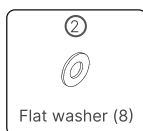
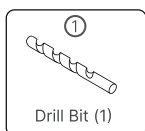


A

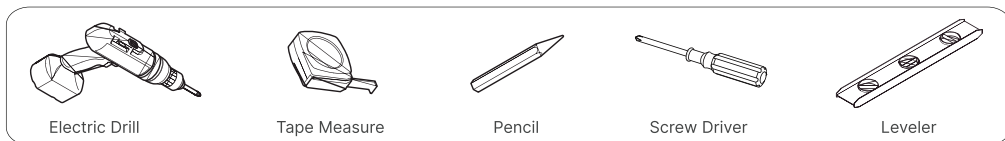


B

## HARDWARE



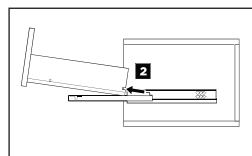
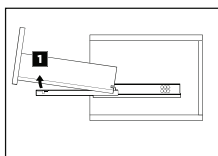
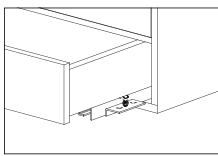
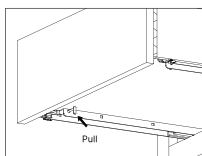
## REQUIRED TOOLS NOT IN BOX



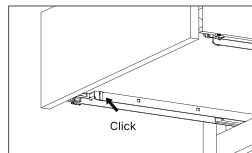
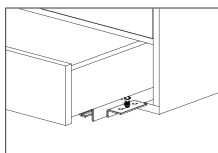
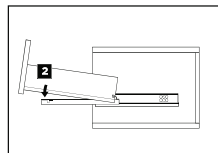
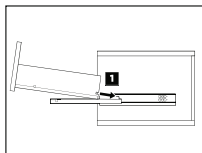
Before starting, check that your wall is plumb and flat. If not, the cabinet will need to be packed out so that it is sitting level; otherwise, the cabinet will twist, causing the doors and drawers to be out of alignment and not function correctly.

## DRAWER REMOVAL & INSTALLATION

### REMOVAL



### INSTALLATION

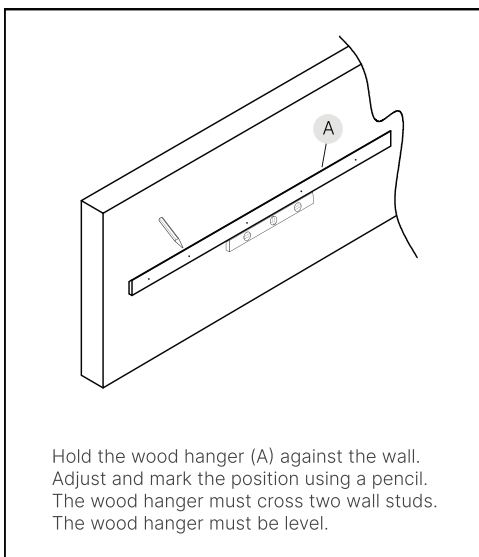


# INSTALLATION GUIDE

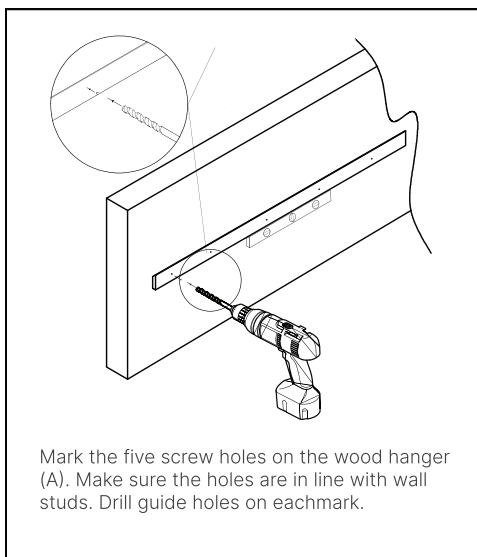
**STOP, please make sure the cabinet is level before installing the countertop**

## CABINET ASSEMBLY

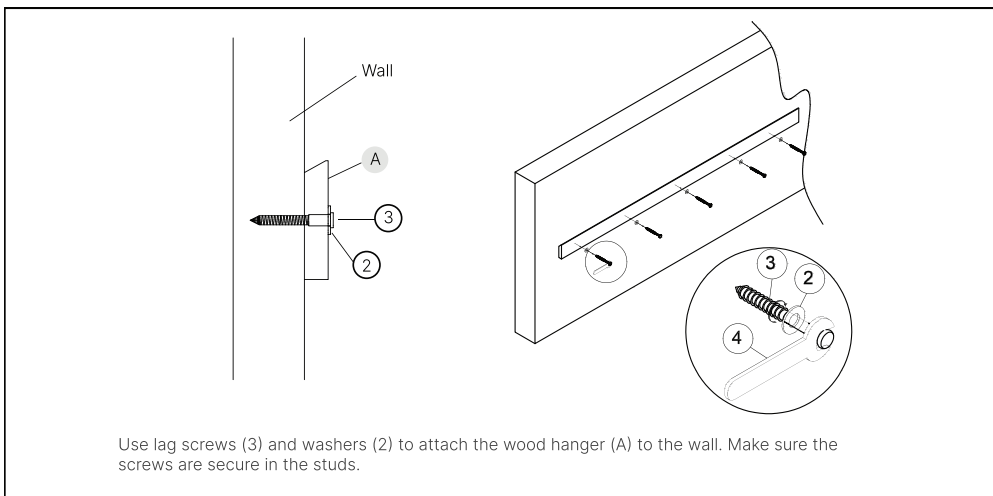
### STEP 1



### STEP 2

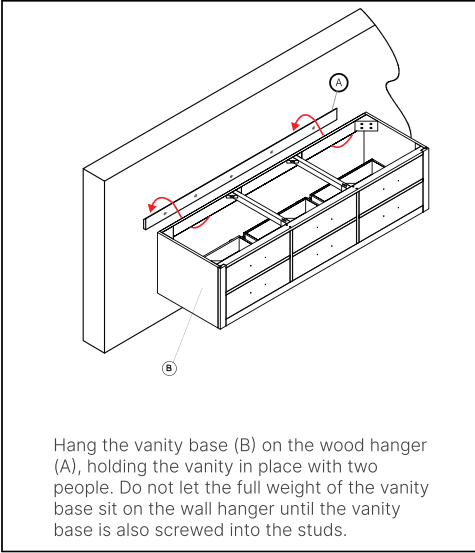


### STEP 3

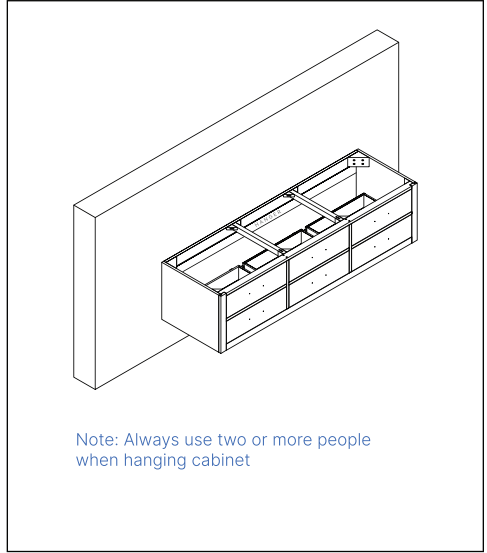


# INSTALLATION GUIDE

## STEP 4



## STEP 5



## SPACE SAVING TRAP

