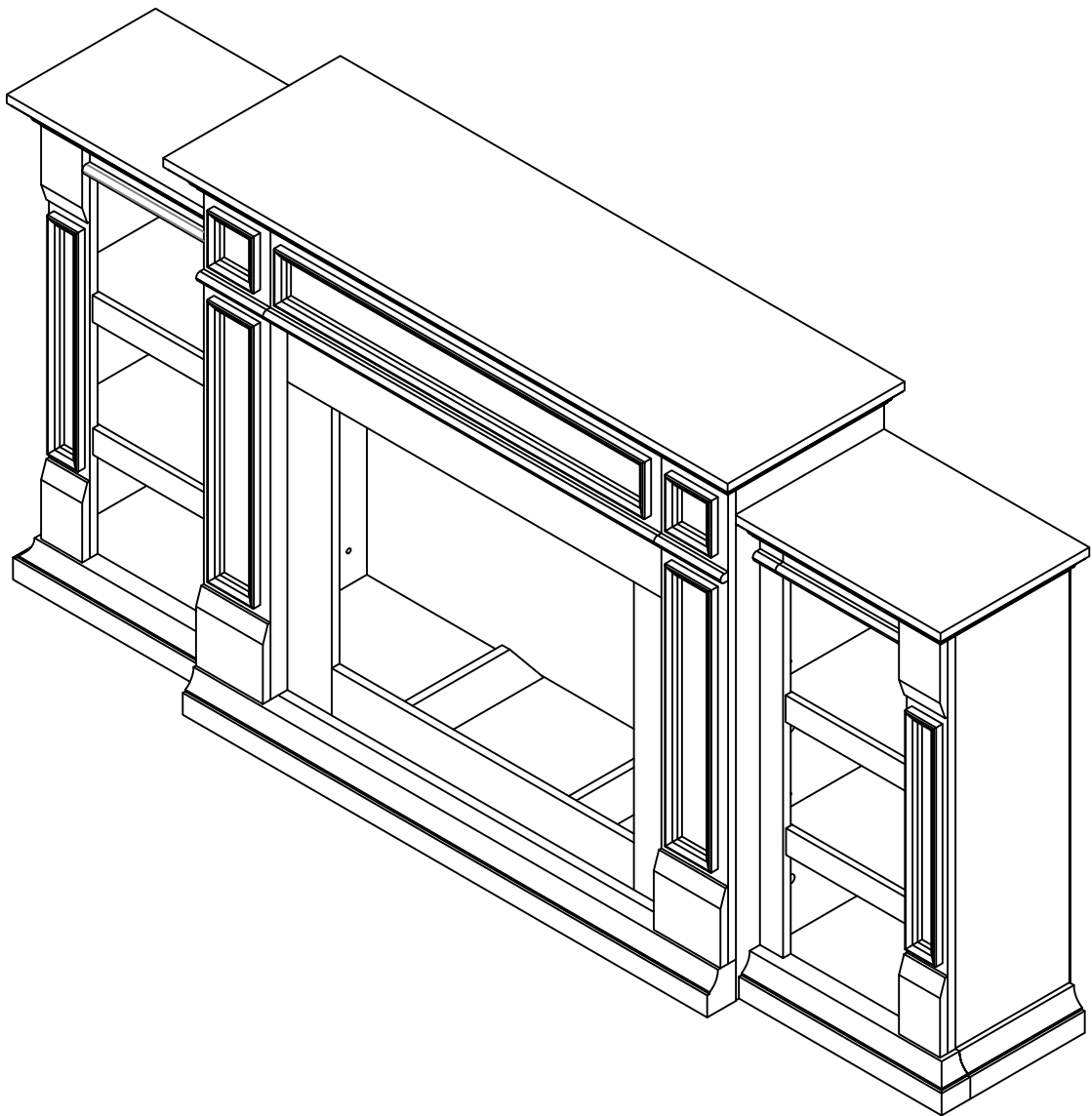
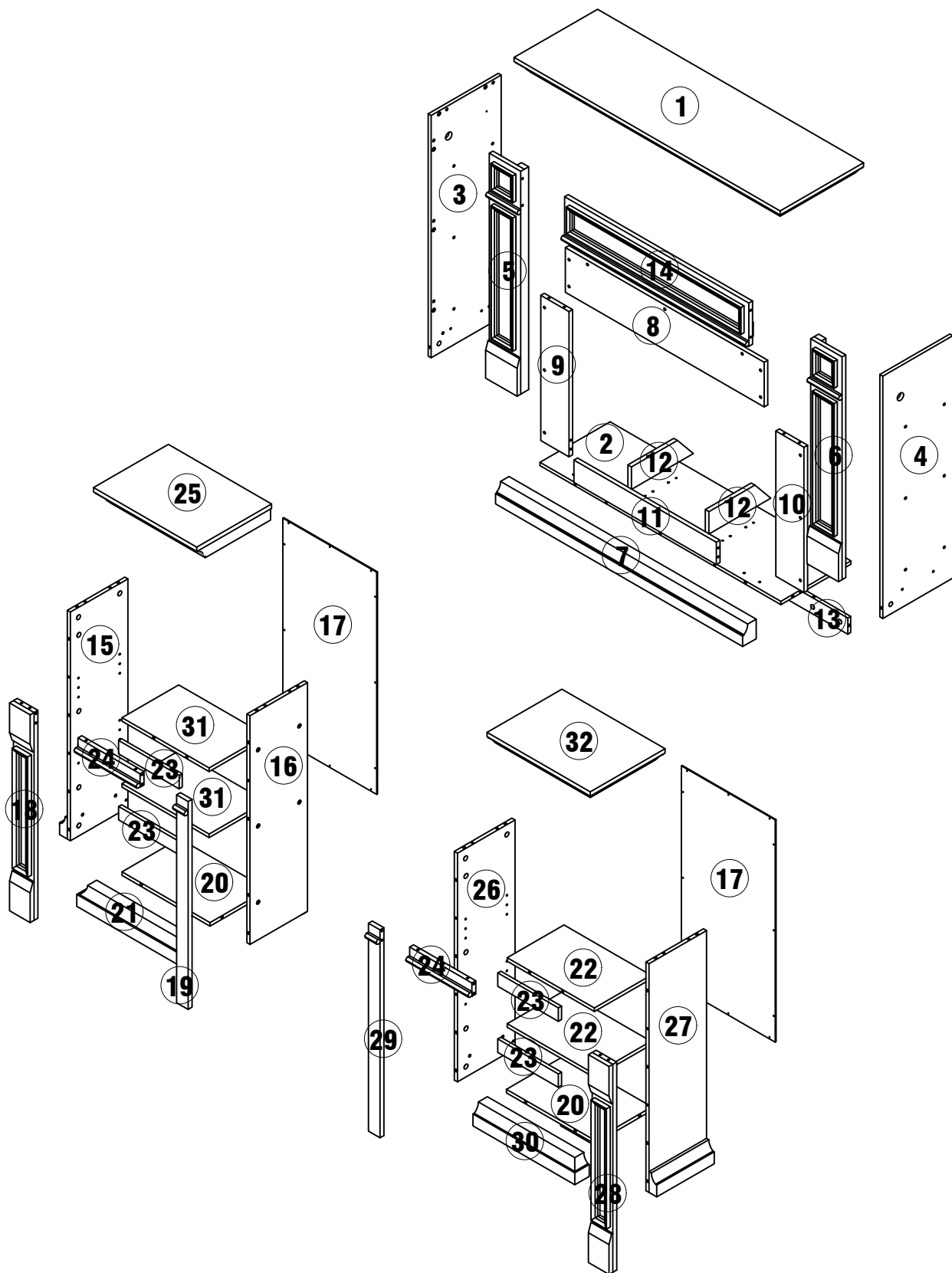


ASSEMBLY INSTRUCTIONS



PACKAGE INCLUDE




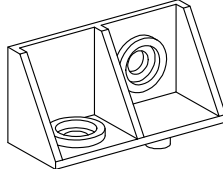
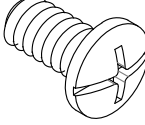
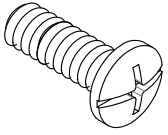
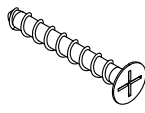
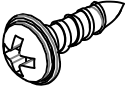
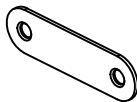
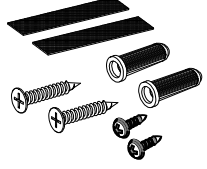

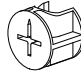
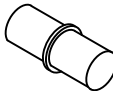
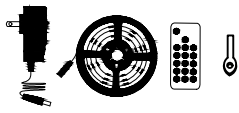
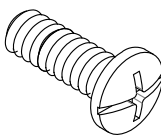
PACKAGE INCLUDE

CODE	DESCRIPTION	QTY
1	Center Top Panel	1
2	Center Base Panel	1
3	Center Left Outer Panel	1
4	Center Right Outer Panel	1
5	Left of Center Front Molding	1
6	Right of Center Front Molding	1
7	Center Base Crossbar	1
8	Top Stacked Stone Panel	1
9	Left Stacked Stone Panel	1
10	Right Stacked Stone Panel	1
11	Base Stacked Stone Panel	1
12	Electric Fireplace Fixed Shelf	2
13	Center Base Back Crossbar	1
14	Center Front Molding	1
15	Left Outer Panel of Left Cabinet	1
16	Right Outer Panel of Left Cabinet	1

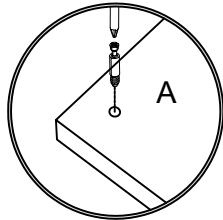
PACKAGE INCLUDE

CODE	DESCRIPTION	QTY
17	Rear Panel of Cabinet	2
18	Left Front Molding of Left Cabinet	1
19	Right Vertical Stretcher of Left Cabinet	1
20	Base Panel of Cabinet	2
21	Base Crossbar of Left Cabinet	1
22	Removable Shelves of Right Cabinet	2
23	Removable Shelves baffle	4
24	Front Molding of Cabinet	2
25	Top Panel of Left Cabinet	1
26	Left Outer Panel of Right Cabinet	1
27	Right Outer Panel of Right Cabinet	1
28	Right Front Molding of Right Cabinet	1
29	Left Vertical Stretcher of Right Cabinet	1
30	Base Crossbar of Right Cabinet	1
31	Removable Shelves of Left Cabinet	2
32	Top Panel of Right Cabinet	1

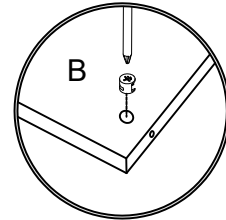
PACKAGE CONTENT

<p>Ø6X30MM</p>  <p>A 62X+2</p>	 <p>B 13X+1</p>	<p>1/4X12MM</p>  <p>C 26X+1</p>	<p>1/4X20MM</p>  <p>D 12X</p>
<p>Ø4X50MM</p>  <p>E 4X</p>	<p>Ø3.5X12MM</p>  <p>F 53X+2</p>	 <p>G 10X</p>	 <p>H 1X</p>
 <p>J 60X+2</p>	<p>Ø15X10MM</p>  <p>K 60X+2</p>	 <p>L 16X+1</p>	 <p>M 1X</p>
<p>1/4X25MM</p>  <p>N 13X</p>			

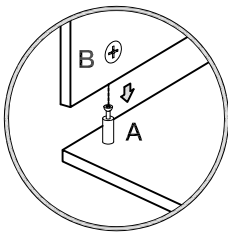
How to use the cam lock system



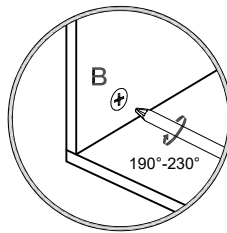
1. Screw cam bolt into panel



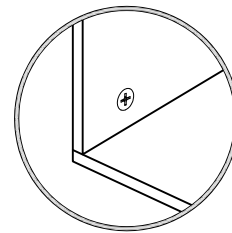
2. Push cam into panel - arrow feature on cam top points to panel edge



3. Align cam bolt(s) with cam(s) and insert all the way into cross-bored hole(s)

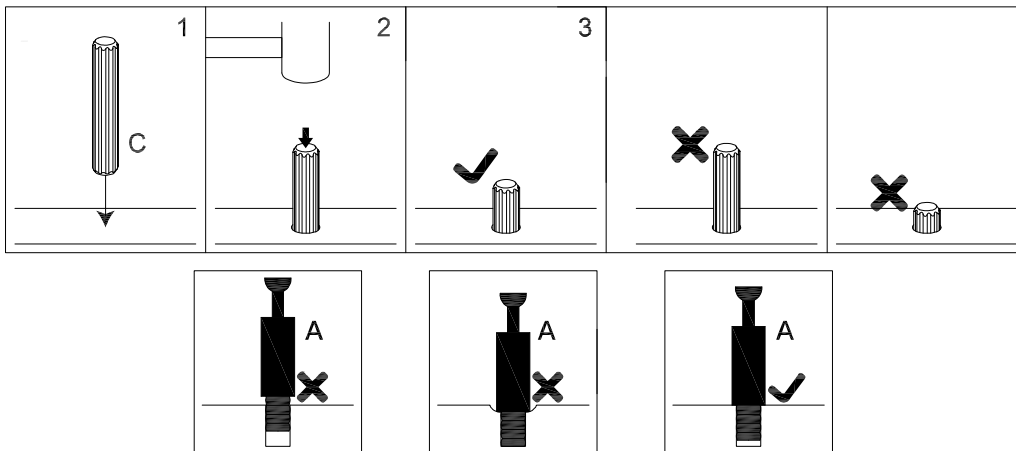


4. Rotate cam(s) clockwise 190°-230° to lock panels together



5. Panels should be tight against each other and connection should be rigid

Insert the wood dowel [C] at least half way by tapping lightly with a rubber mallet, IF NECESSARY.



⚠ WARNING

- Unit must be placed on a level surface or leveled with included hardware (when applicable).
- Do not sit or stand on or allow children to climb, sit or stand on the assembled product.
- For safety reasons, it is imperative that this unit be mounted to the wall.
- Do not use without installing the tip restraint.
- Unit can tip over causing severe injury or death.
- Do not exceed the recommended weight limits.
- Evenly distribute the weight on each level and always keep the heavier loads on the bottom.
- Before cutting, drilling or hammering into any wall or floor surface, verify the location of electrical, plumbing and gas lines. Cutting may cause serious injury.

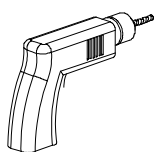
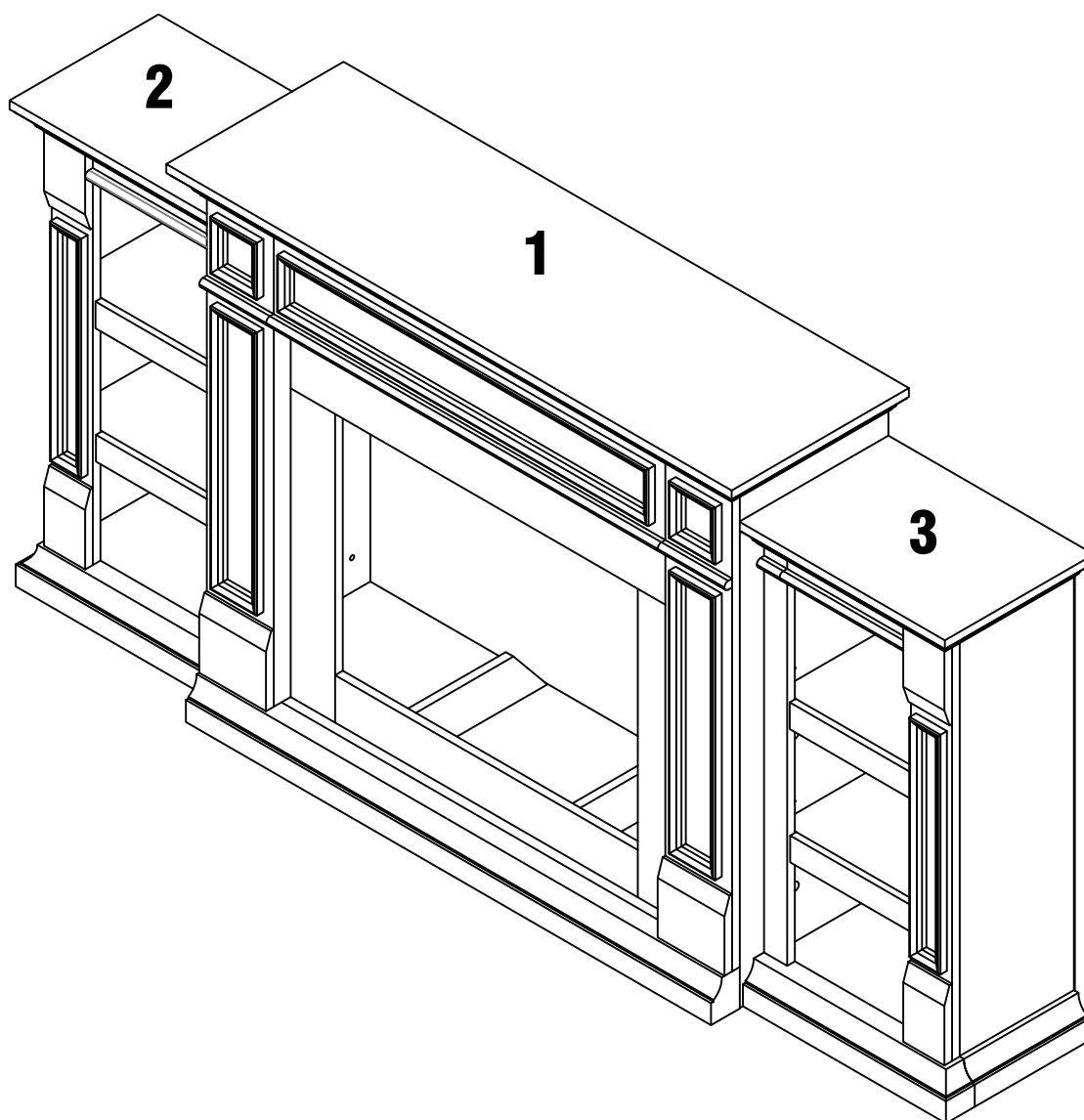
Now you are ready to assemble the electric fireplace mantel

It is divided into three parts in total:

1. Install the center part


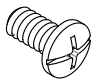
2. Install the left part

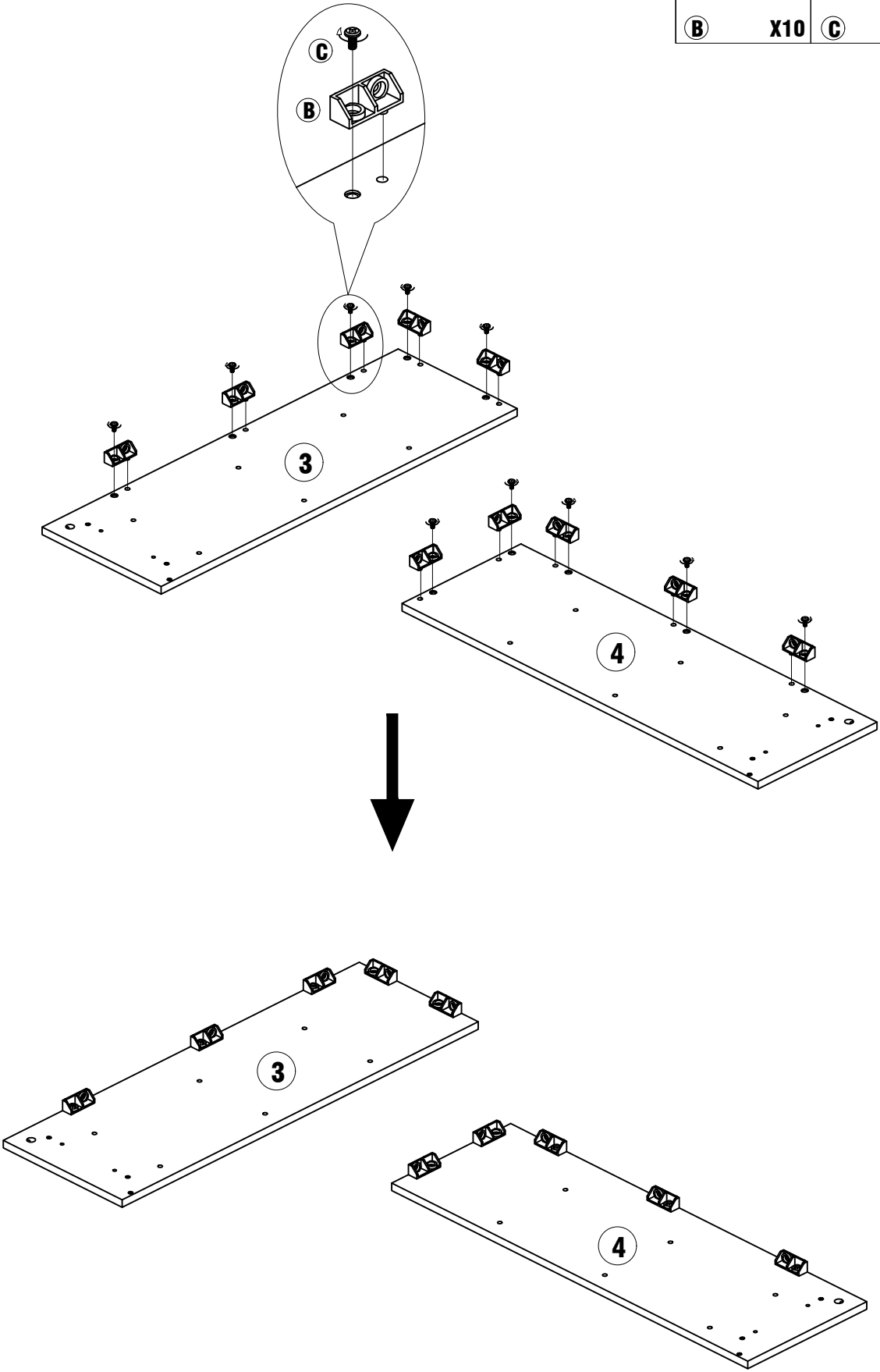
3. Install the right part



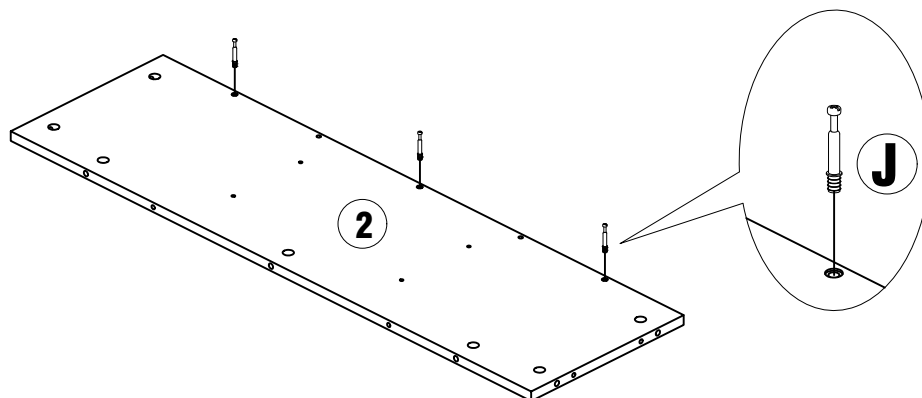
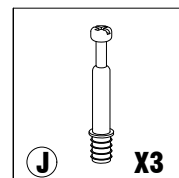
We recommend that you use a power tool for ease of installation.

STEP 1

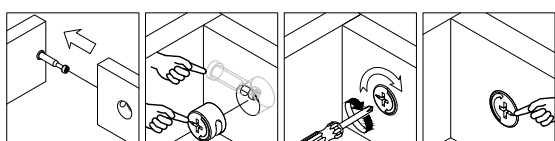
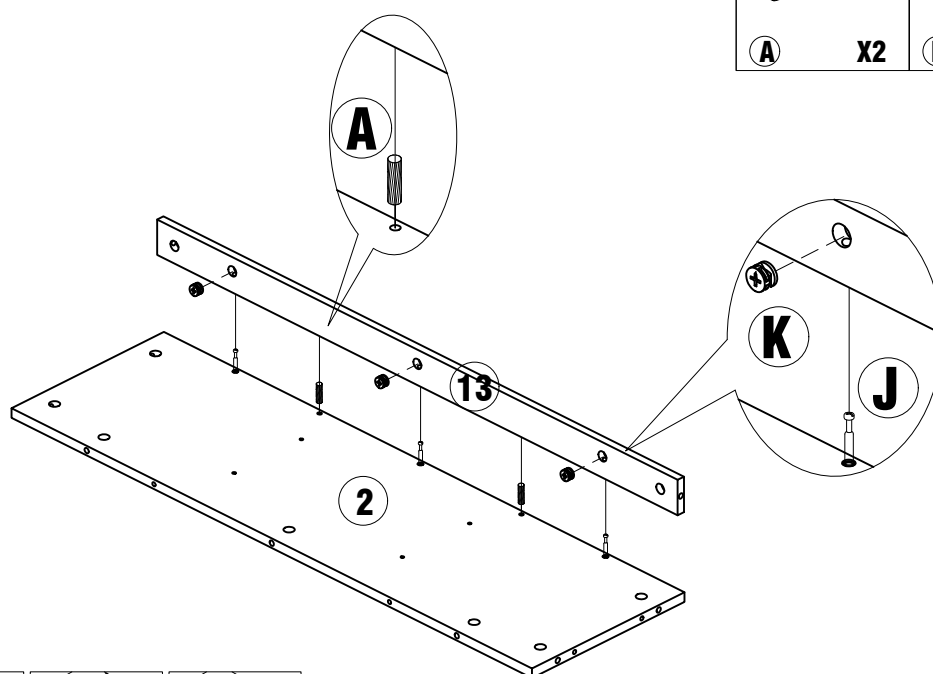
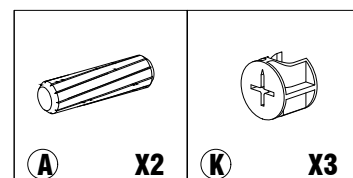
	
B X10	C X10



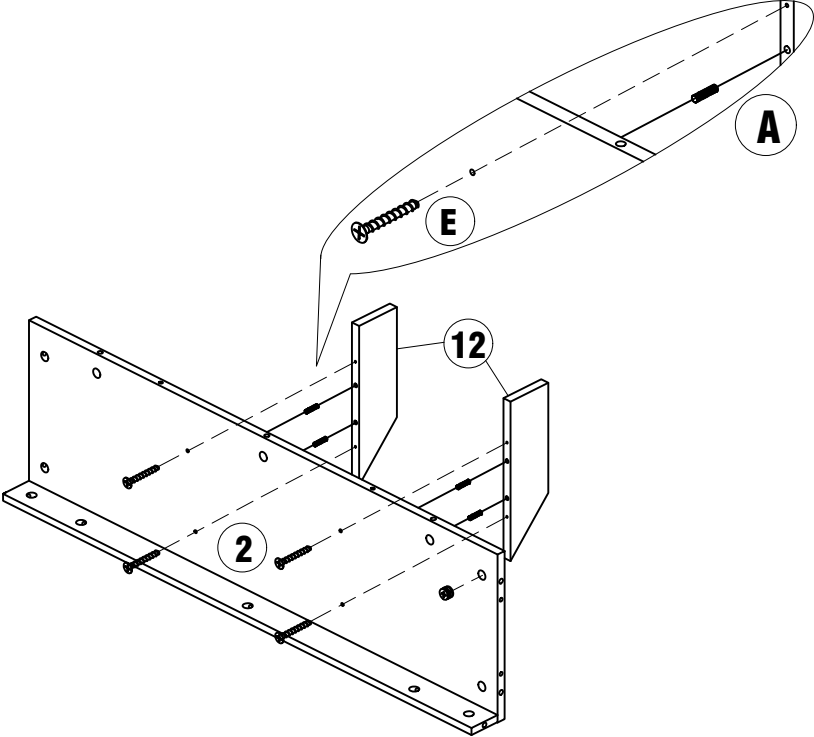
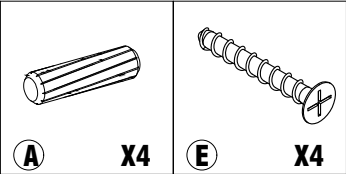
STEP 2



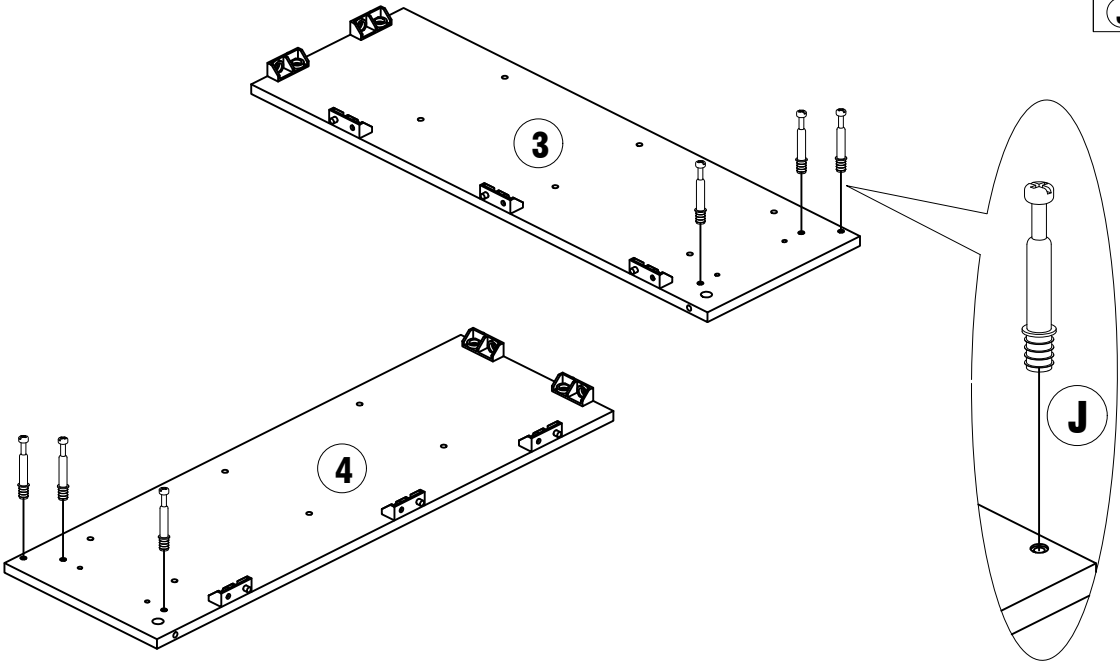
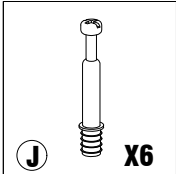
STEP 3



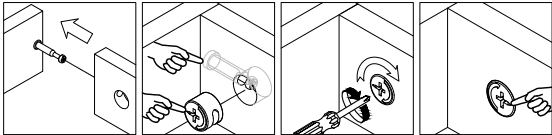
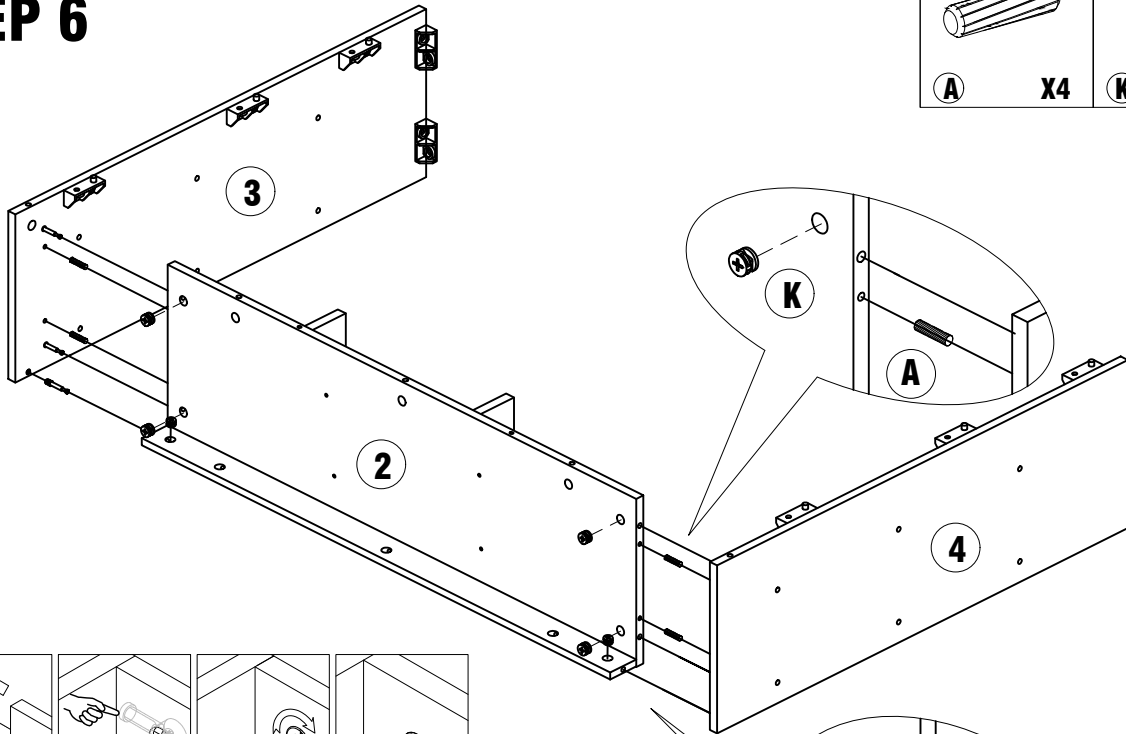
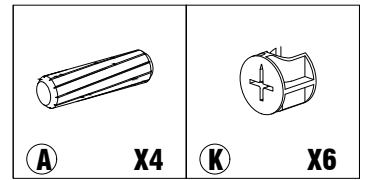
STEP 4



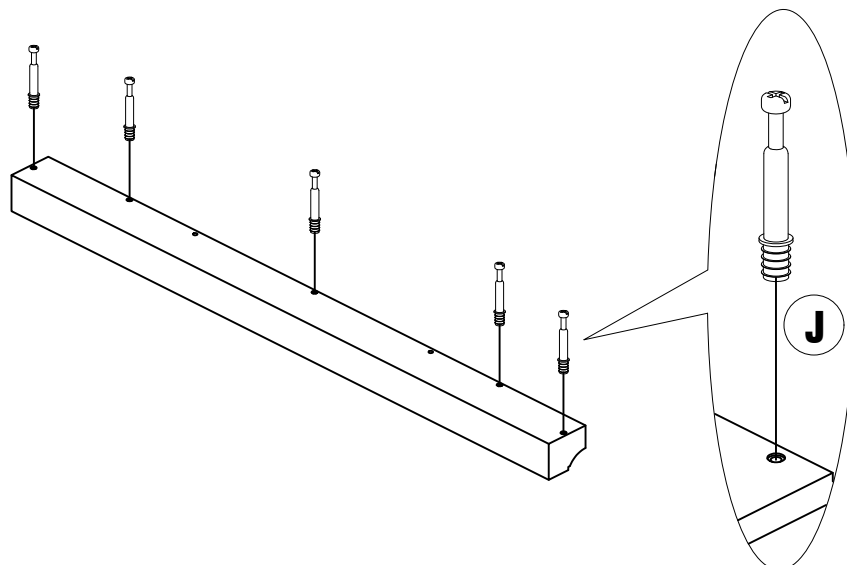
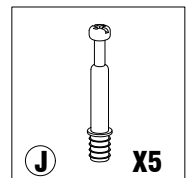
STEP 5



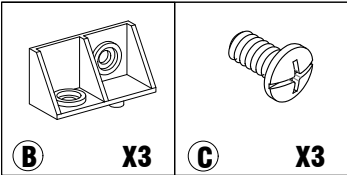
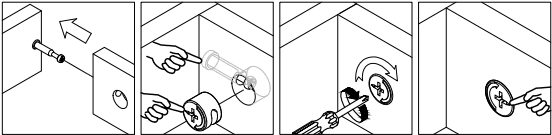
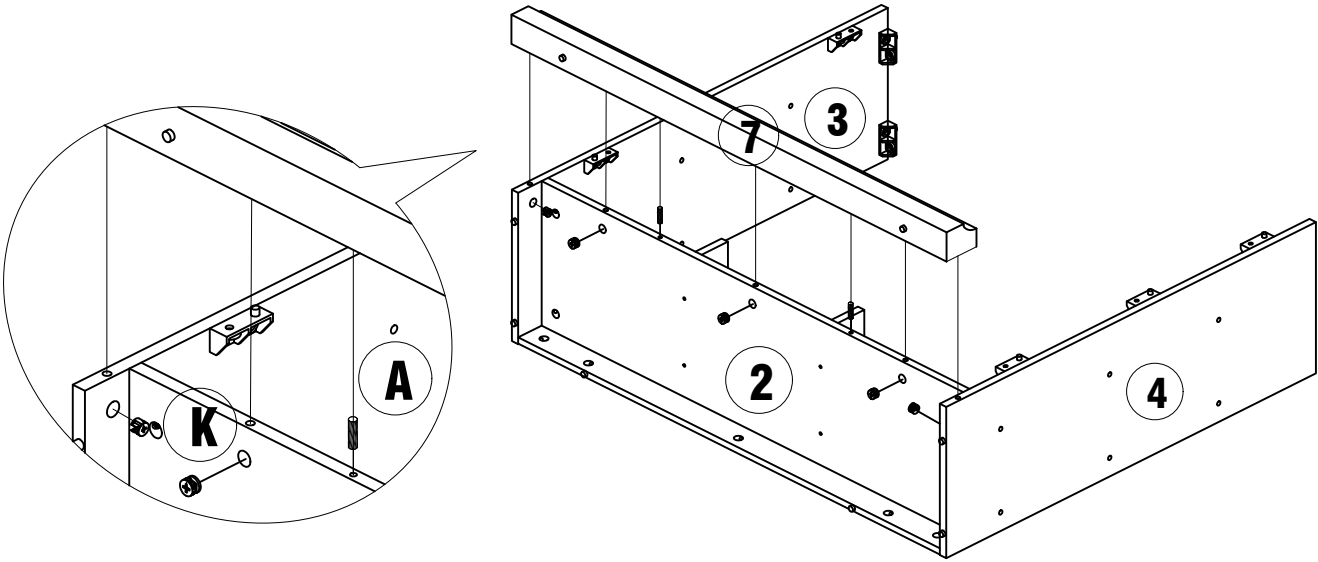
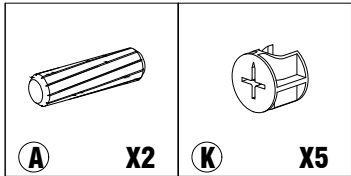
STEP 6



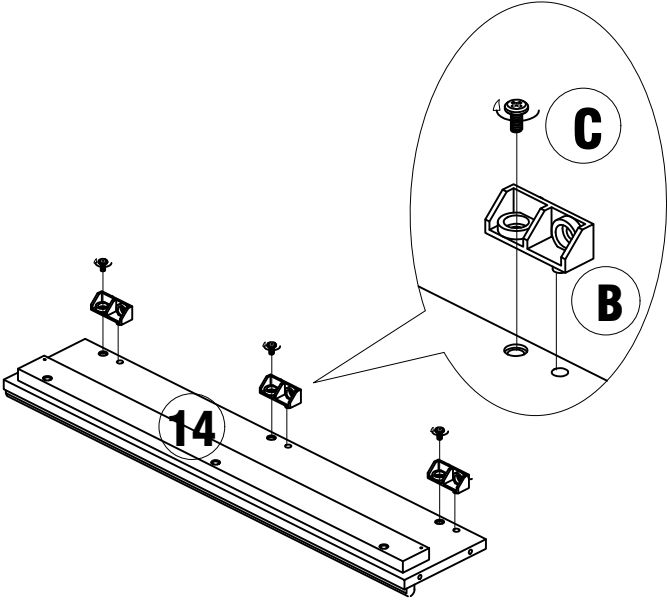
STEP 7



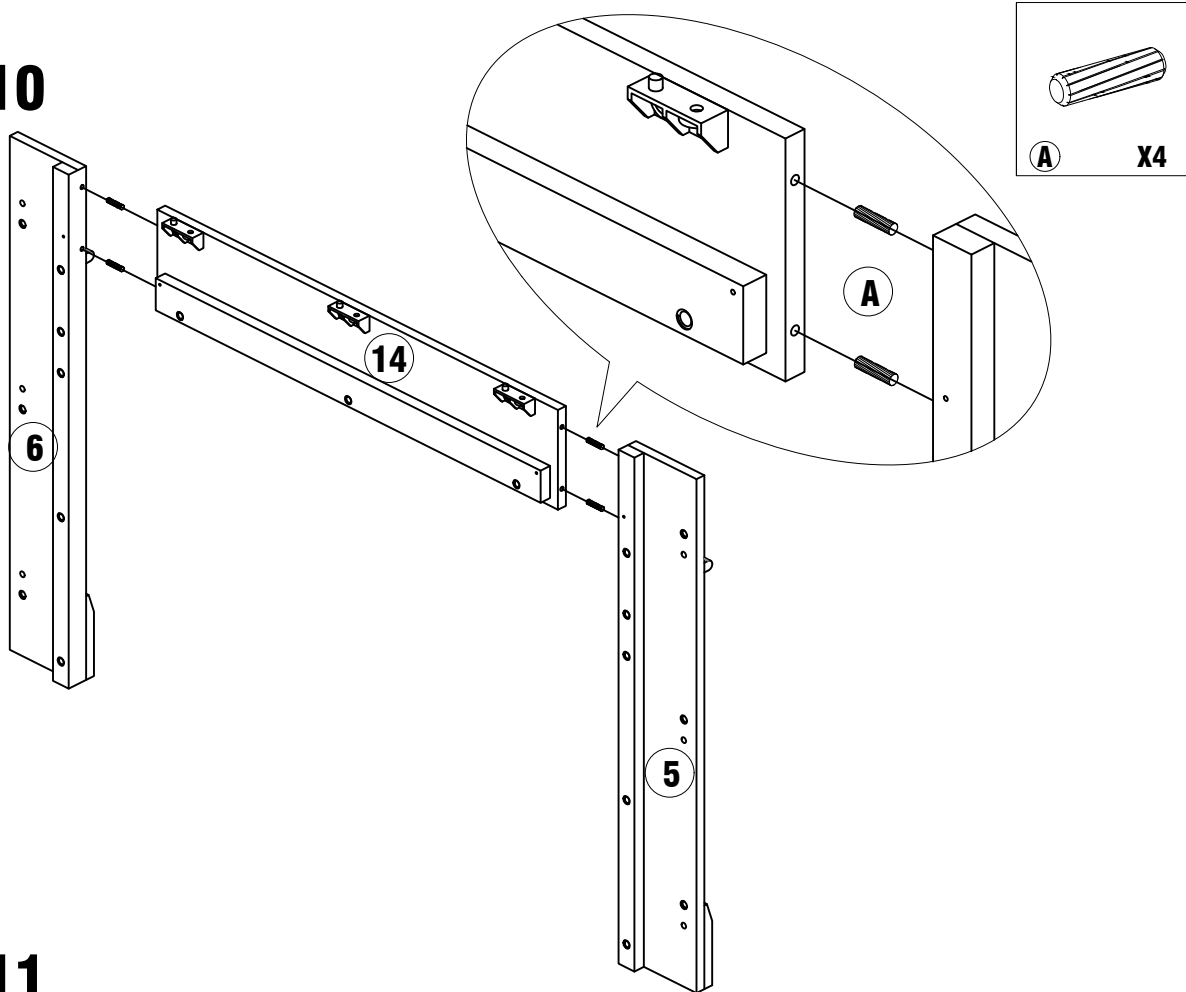
STEP 8



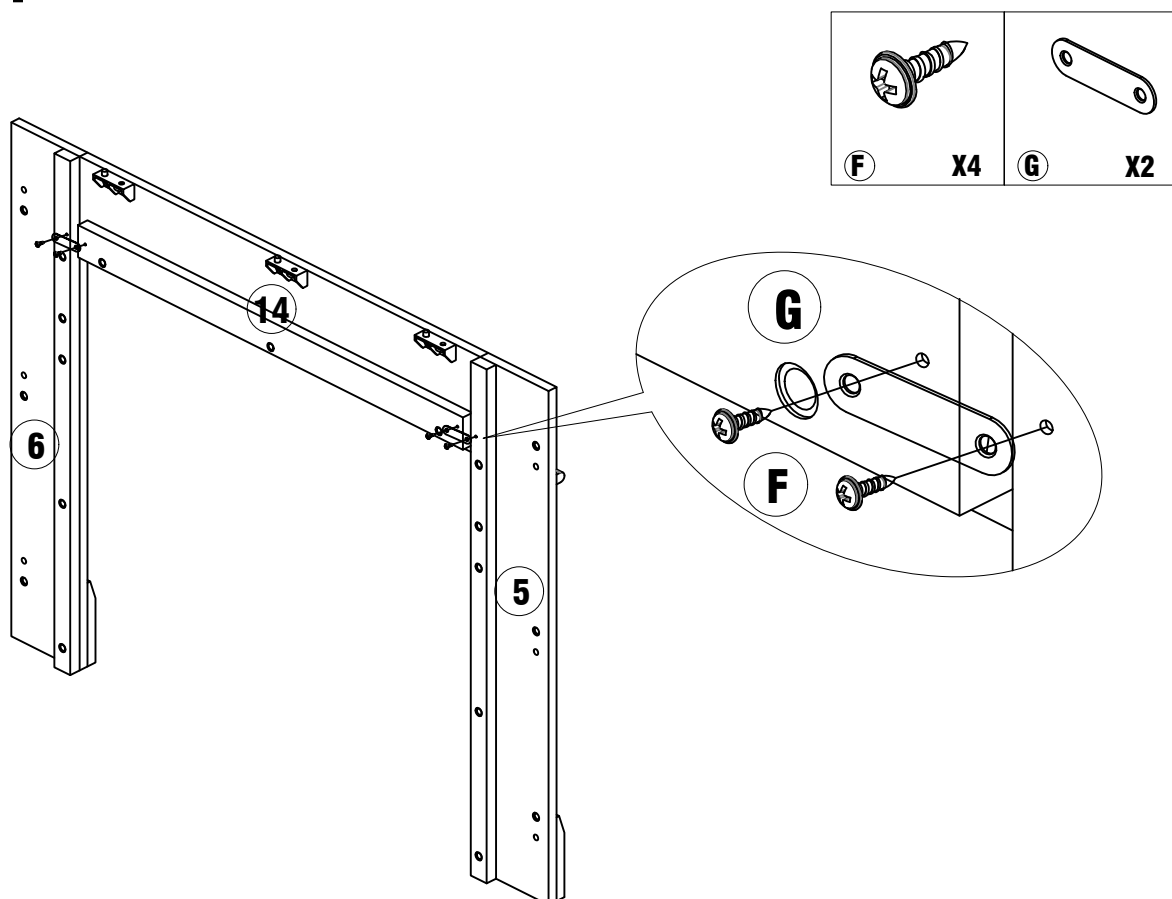
STEP 9



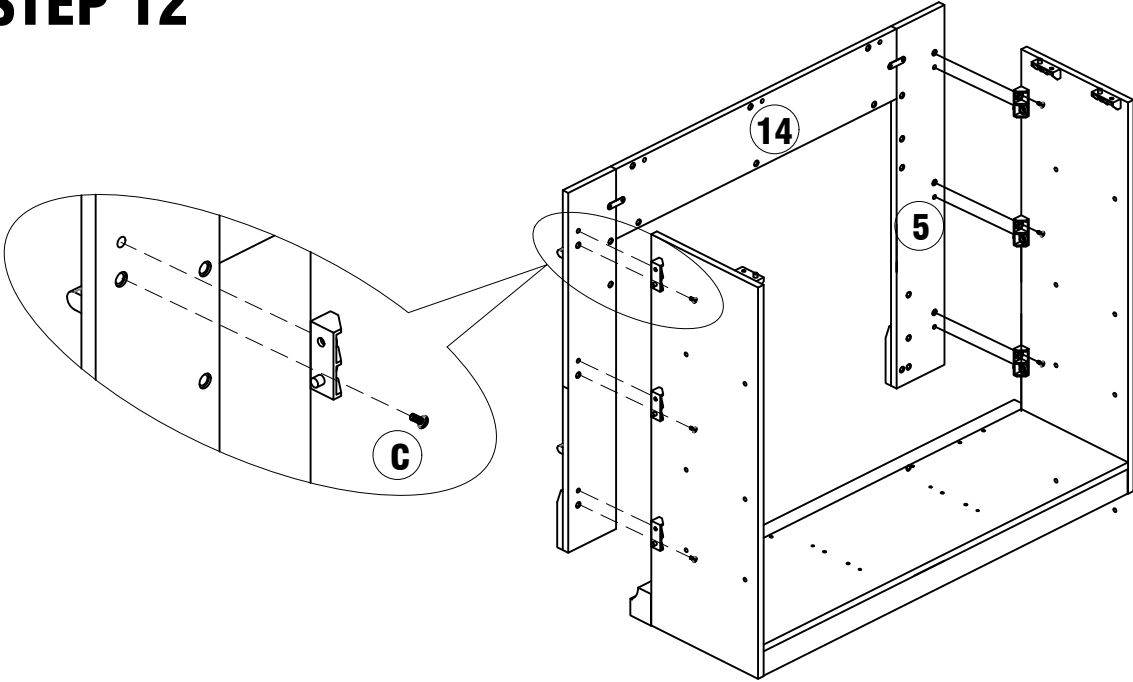
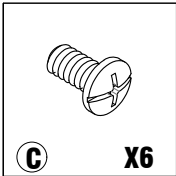
STEP 10



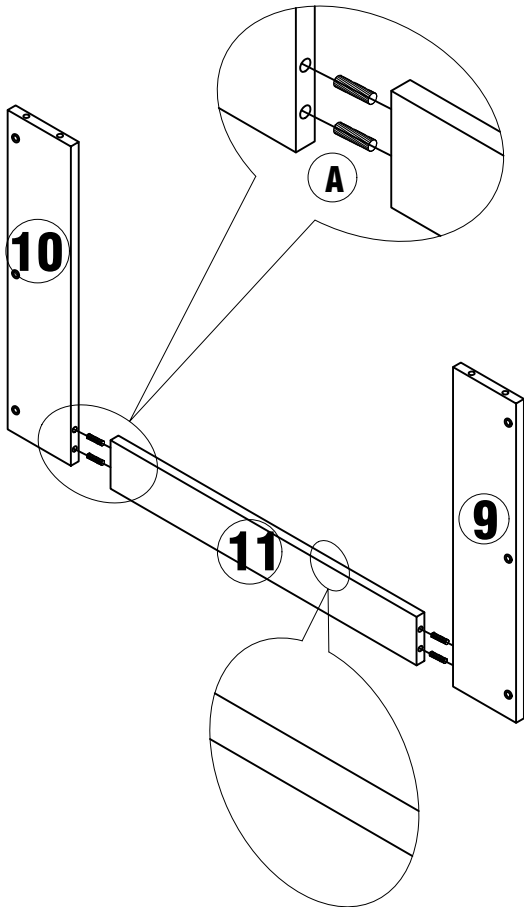
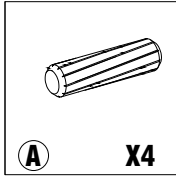
STEP 11



STEP 12

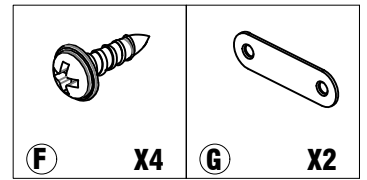
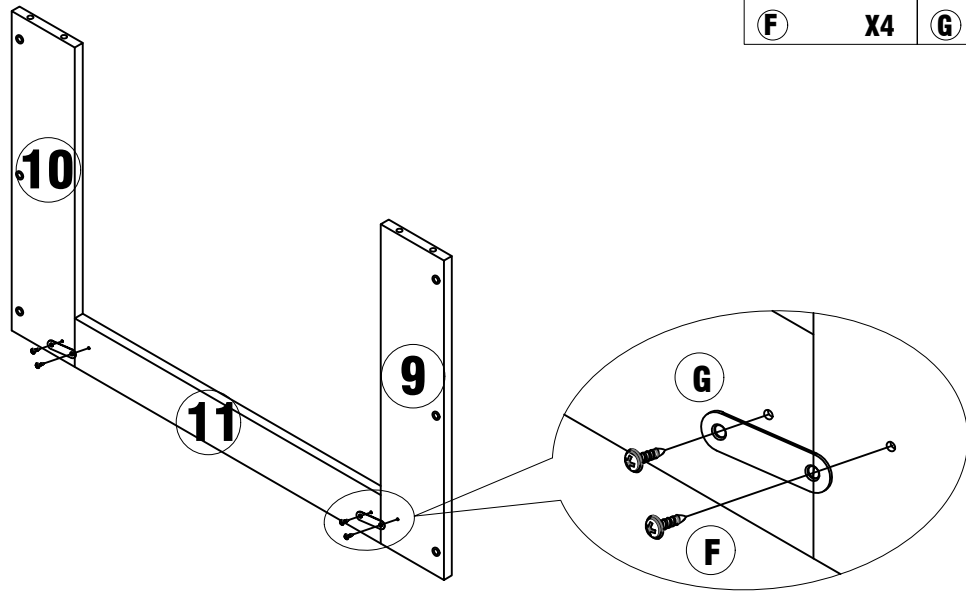


STEP 13

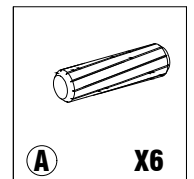
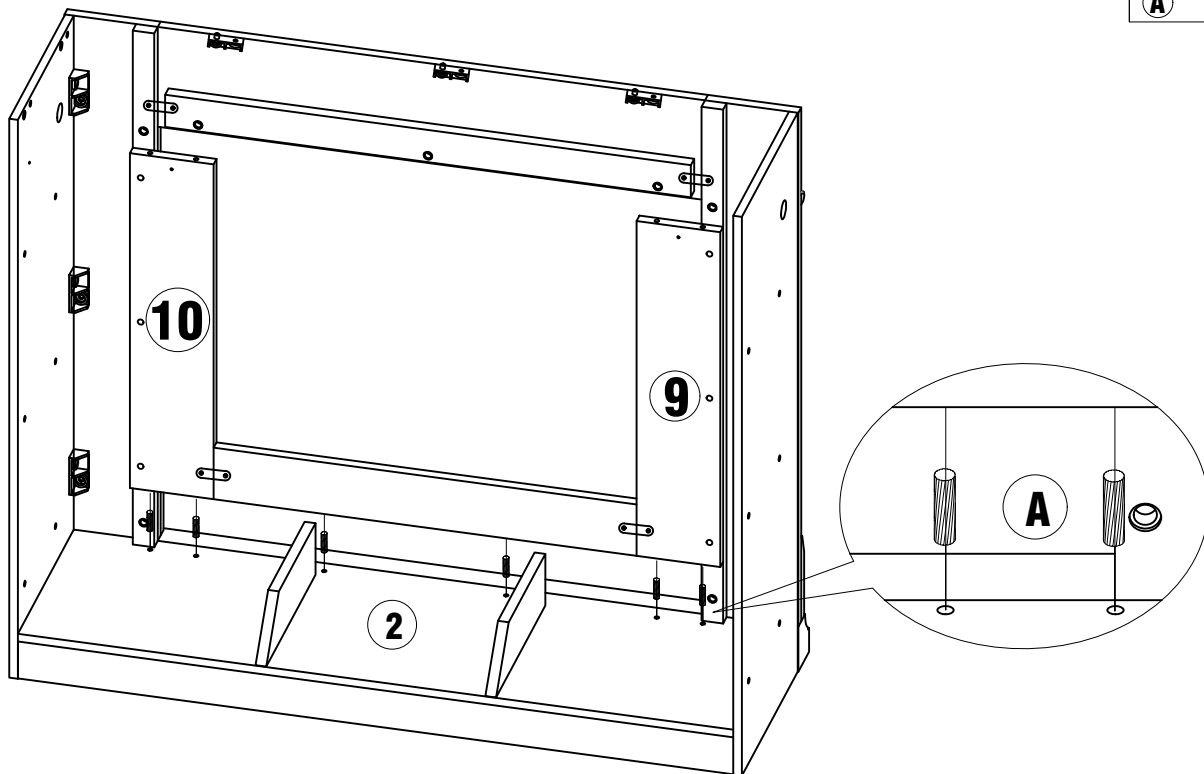


Tips: No holes in this side.

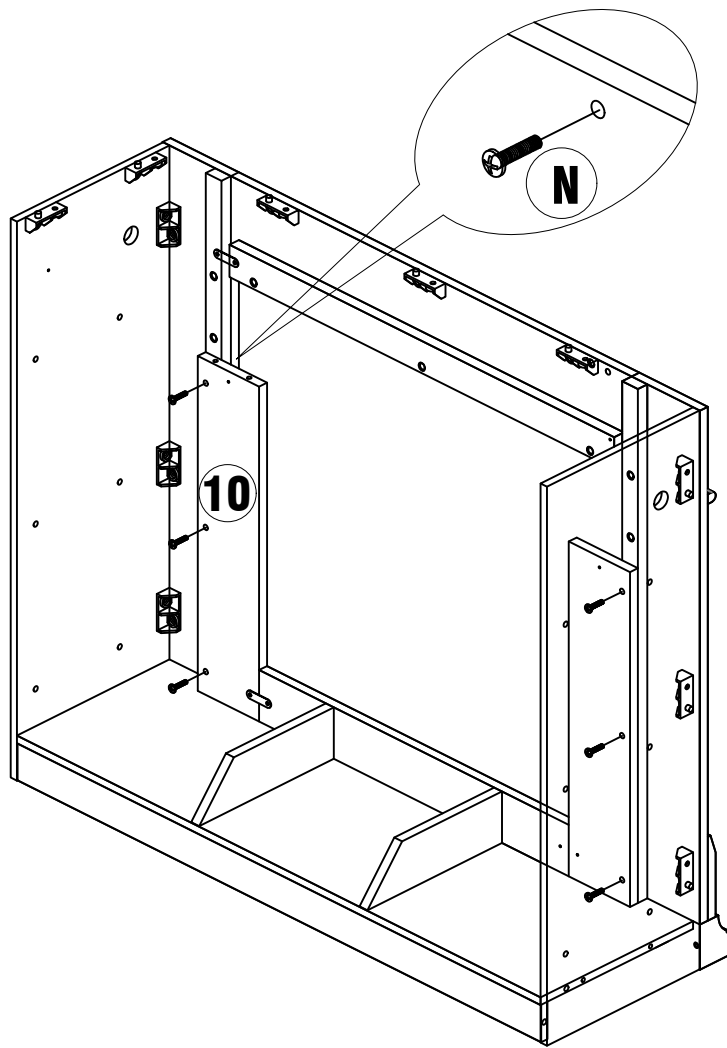
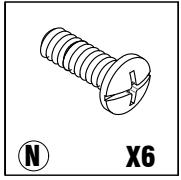
STEP 14



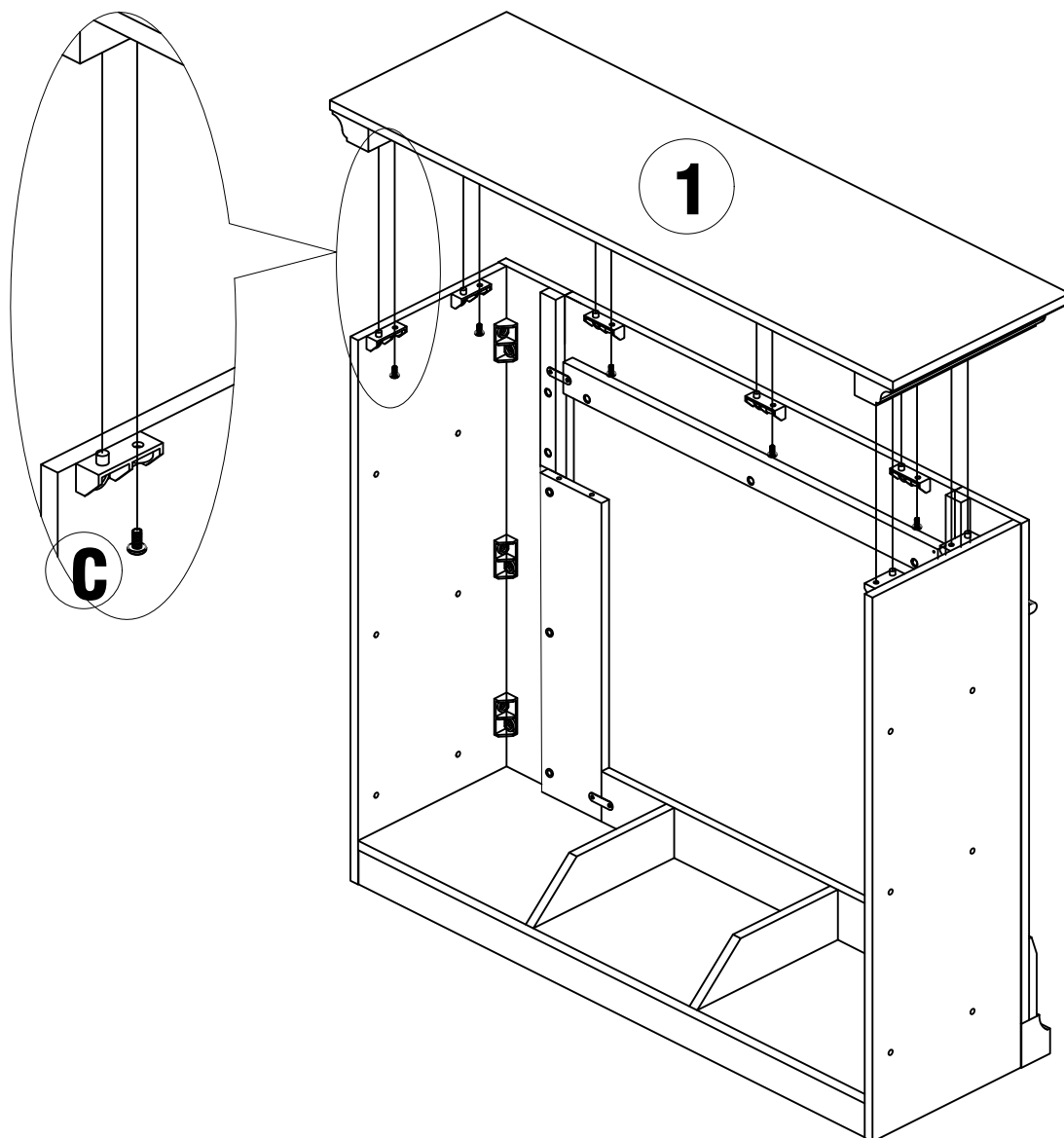
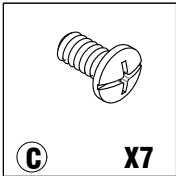
STEP 15



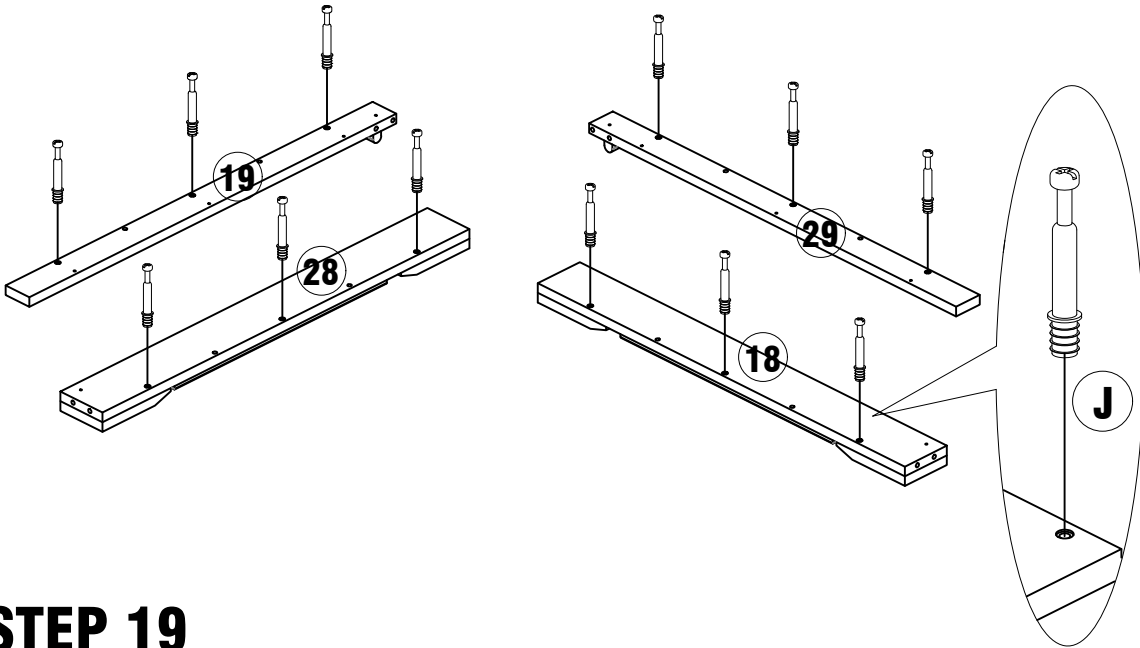
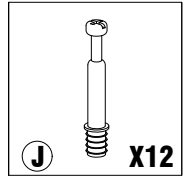
STEP 16



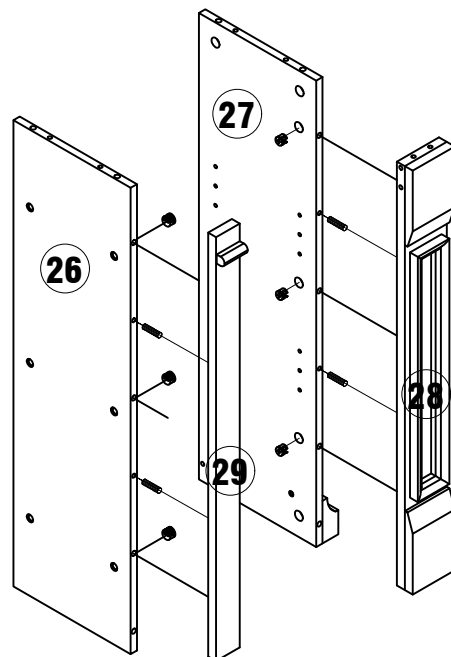
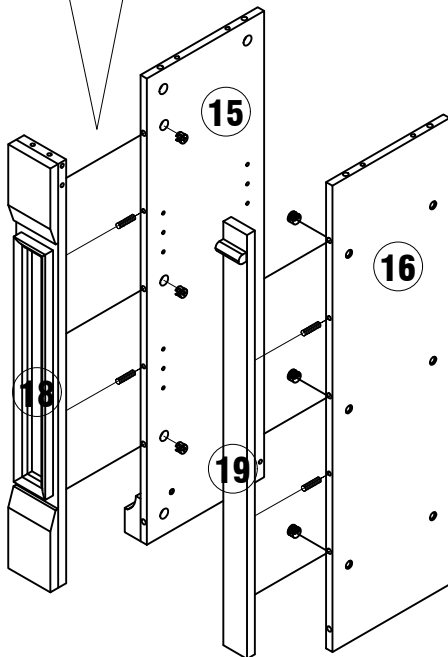
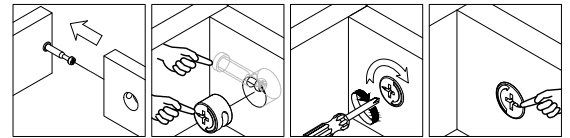
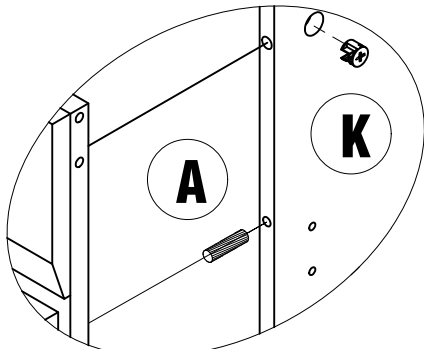
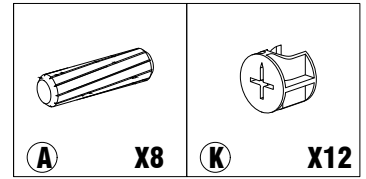
STEP 17



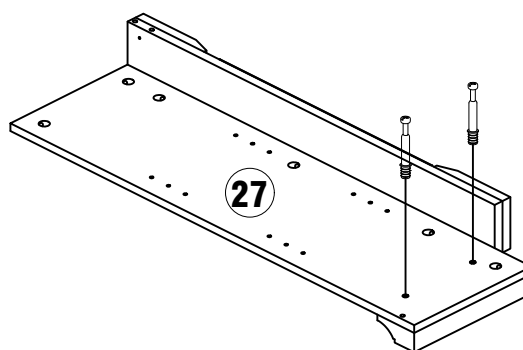
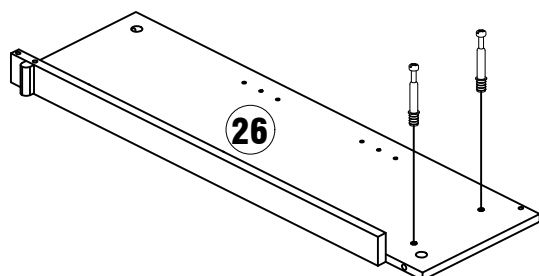
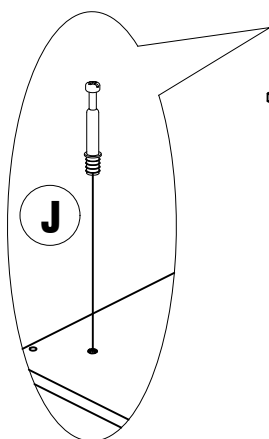
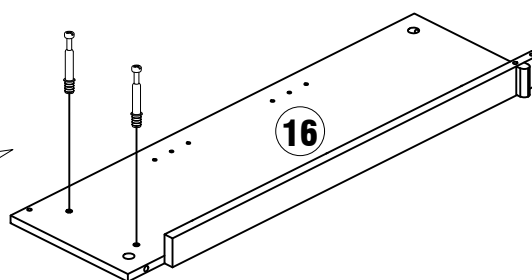
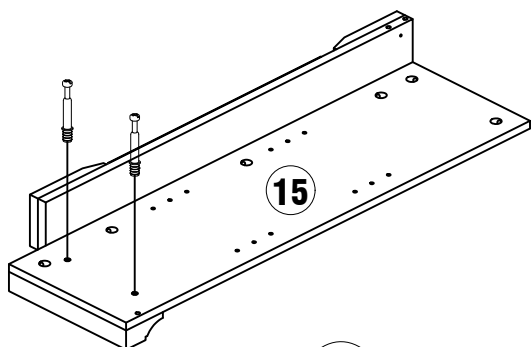
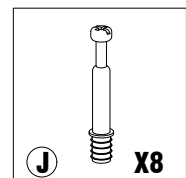
STEP 18



STEP 19

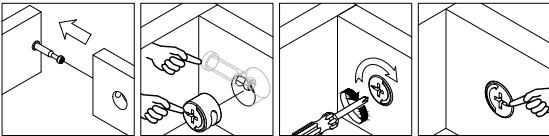
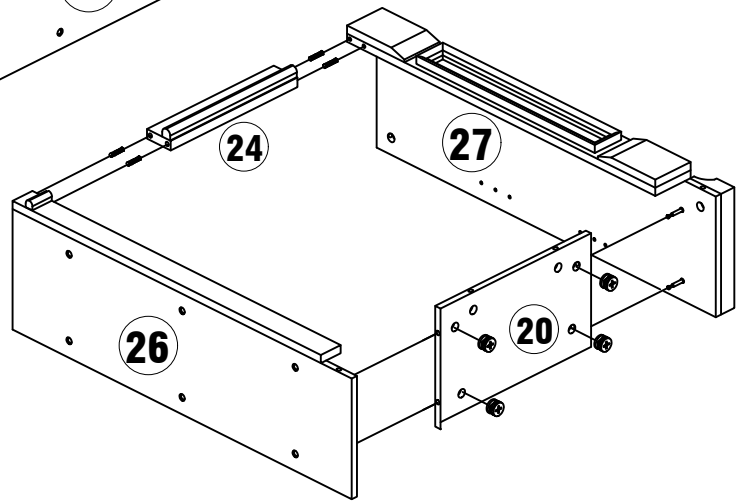
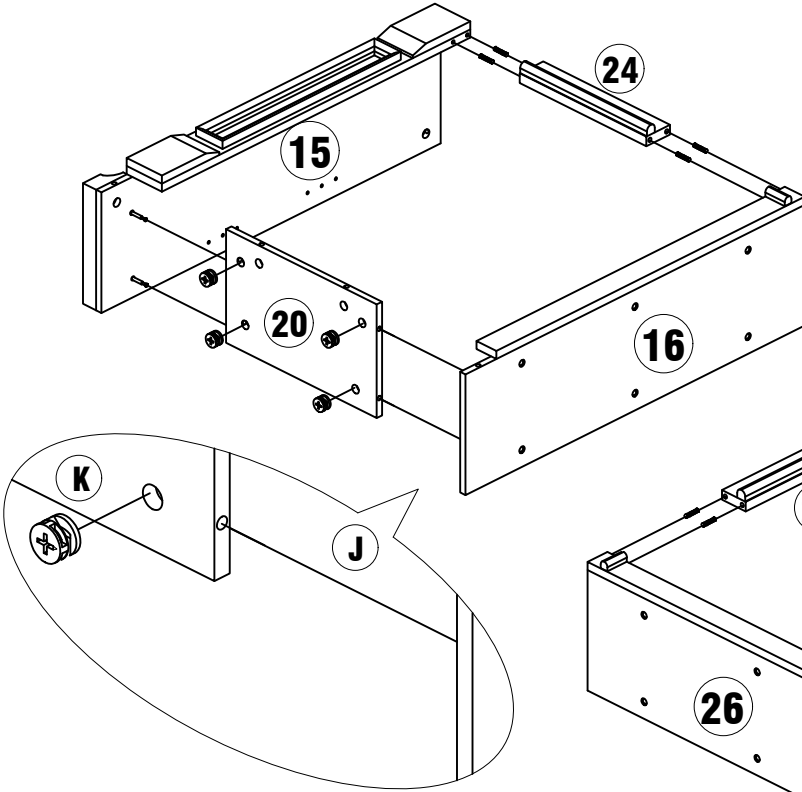
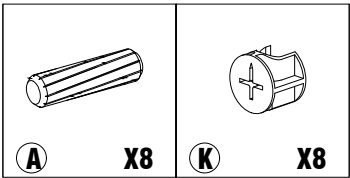


STEP 20

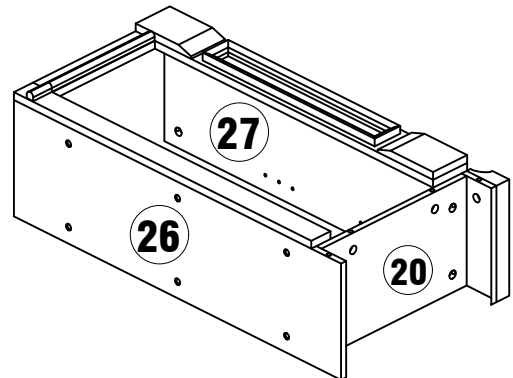
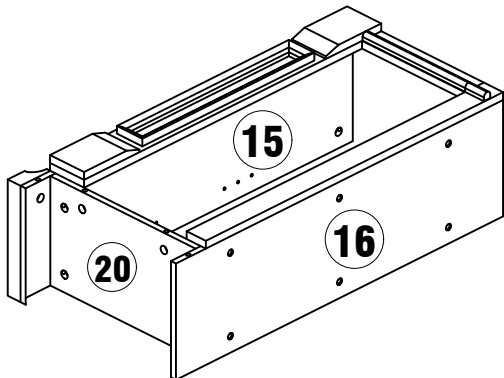


STEP 21

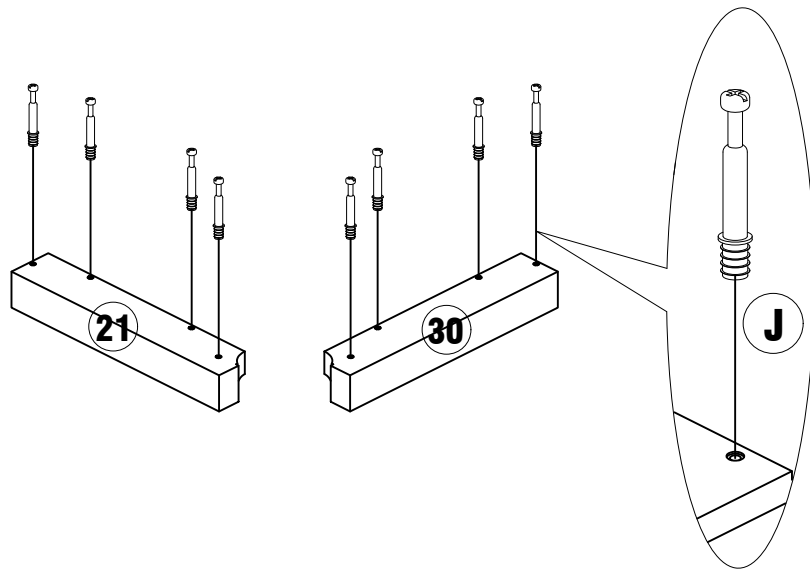
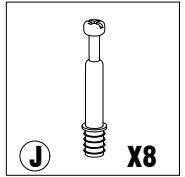
Connect now-assembled Base Panel (20) and (24) to outer panels (15 & 16).



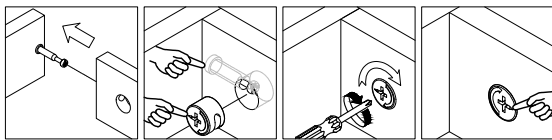
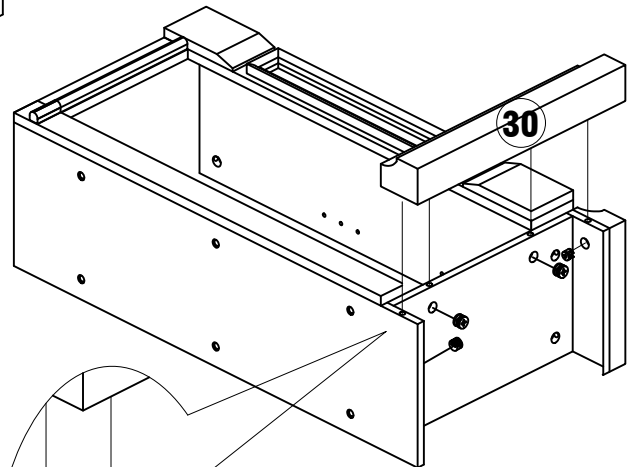
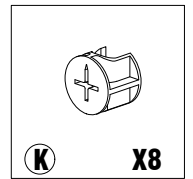
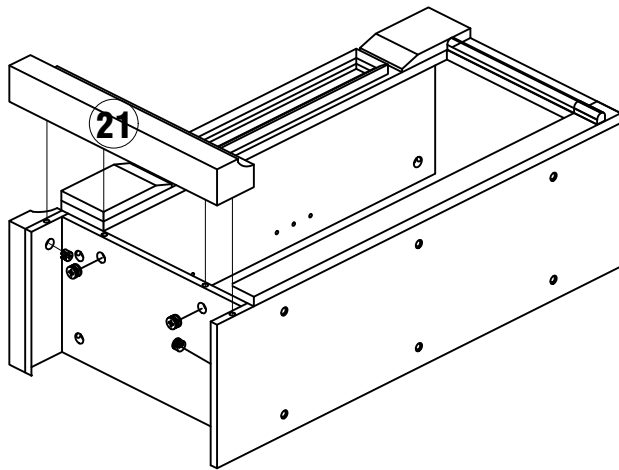
Connect now-assembled Base Panel (20) and (24) to outer panels (26 & 27).





STEP 22

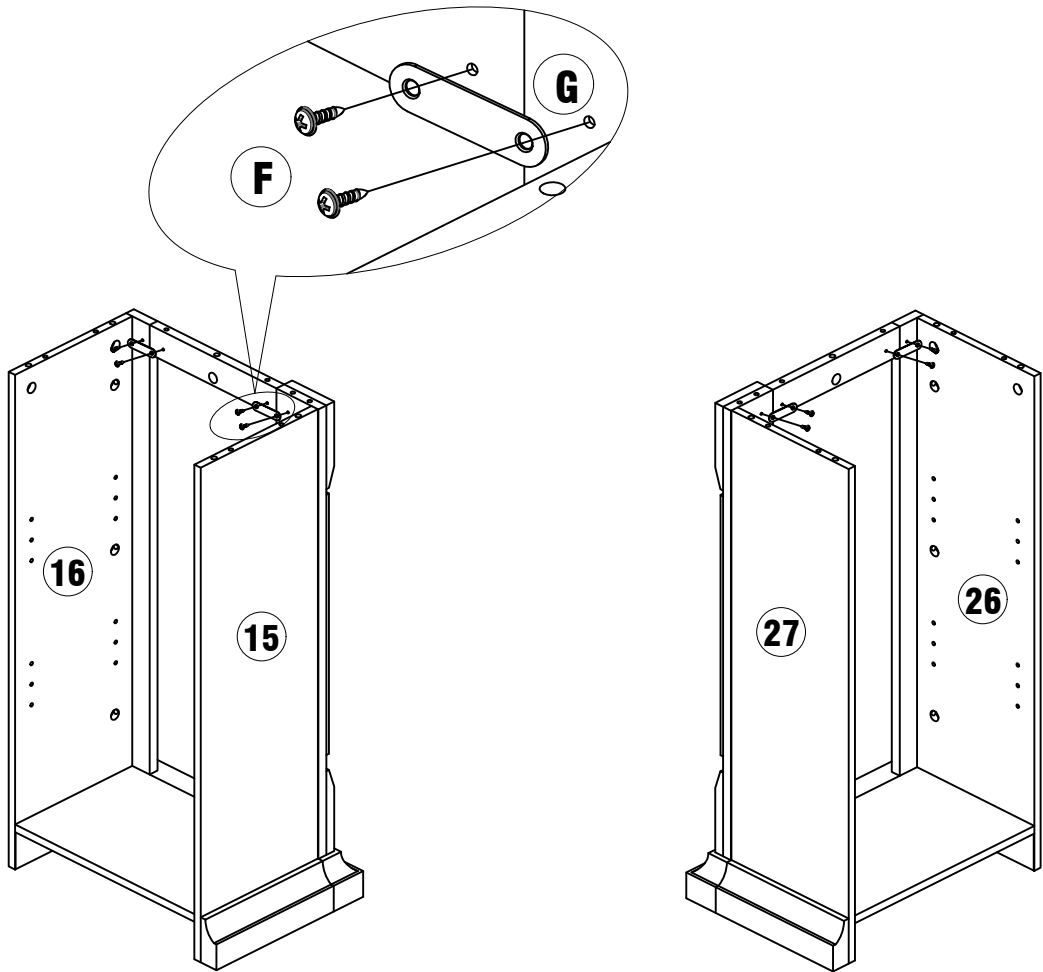


STEP 23

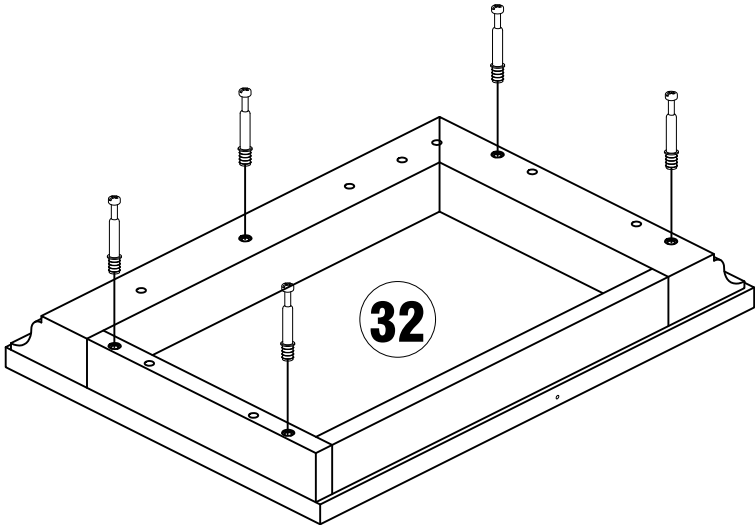
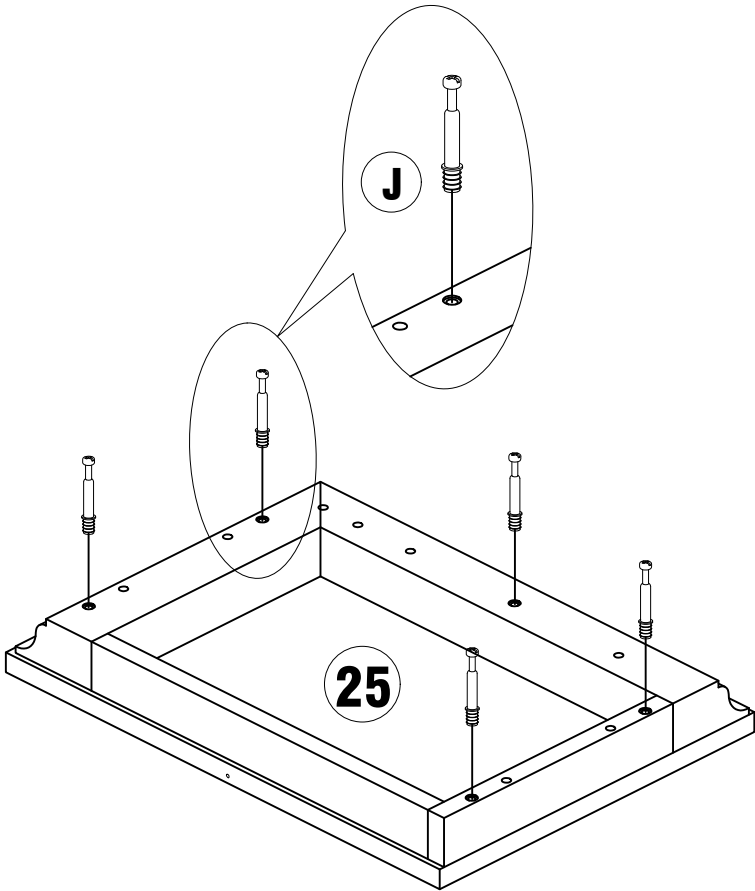
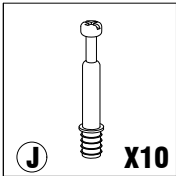


STEP 24



	
F	X8
G	X4

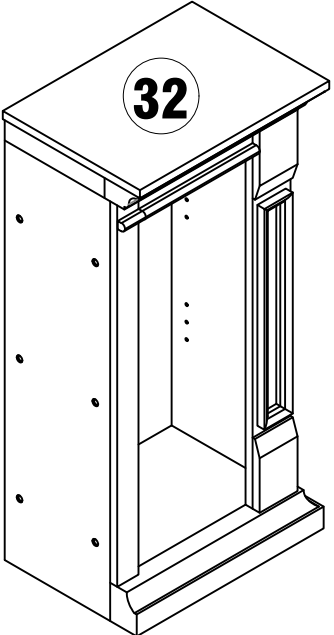
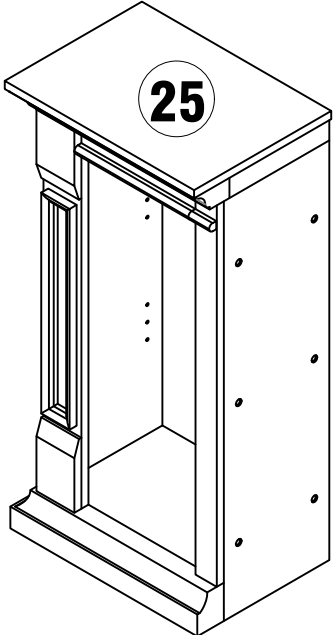
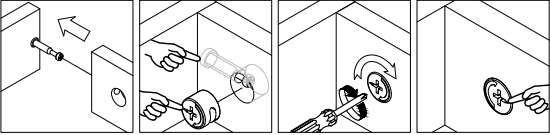
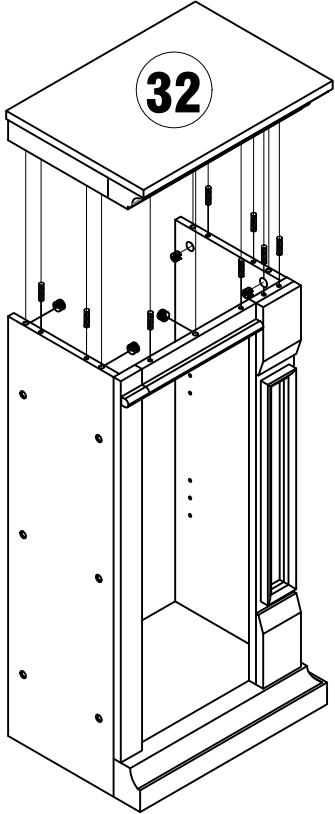
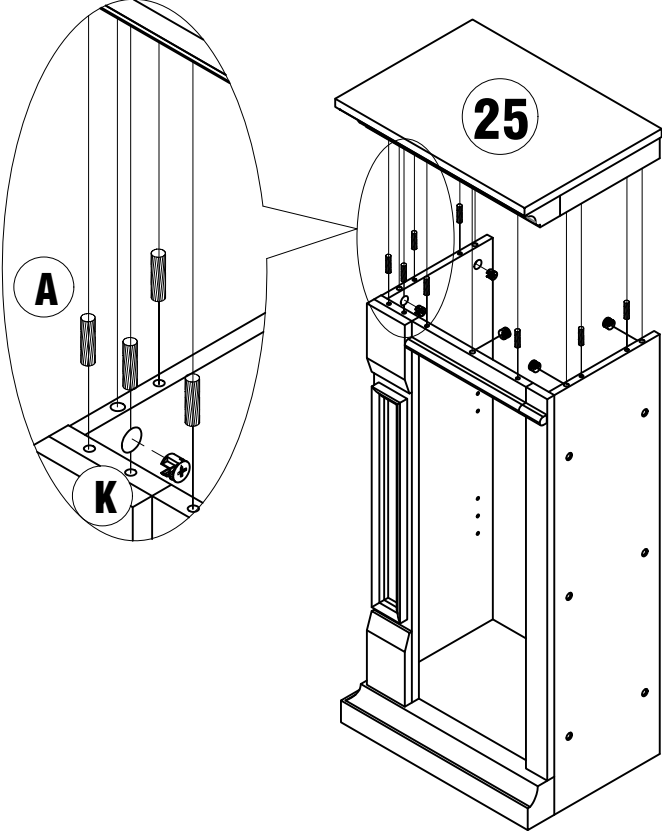


STEP 25

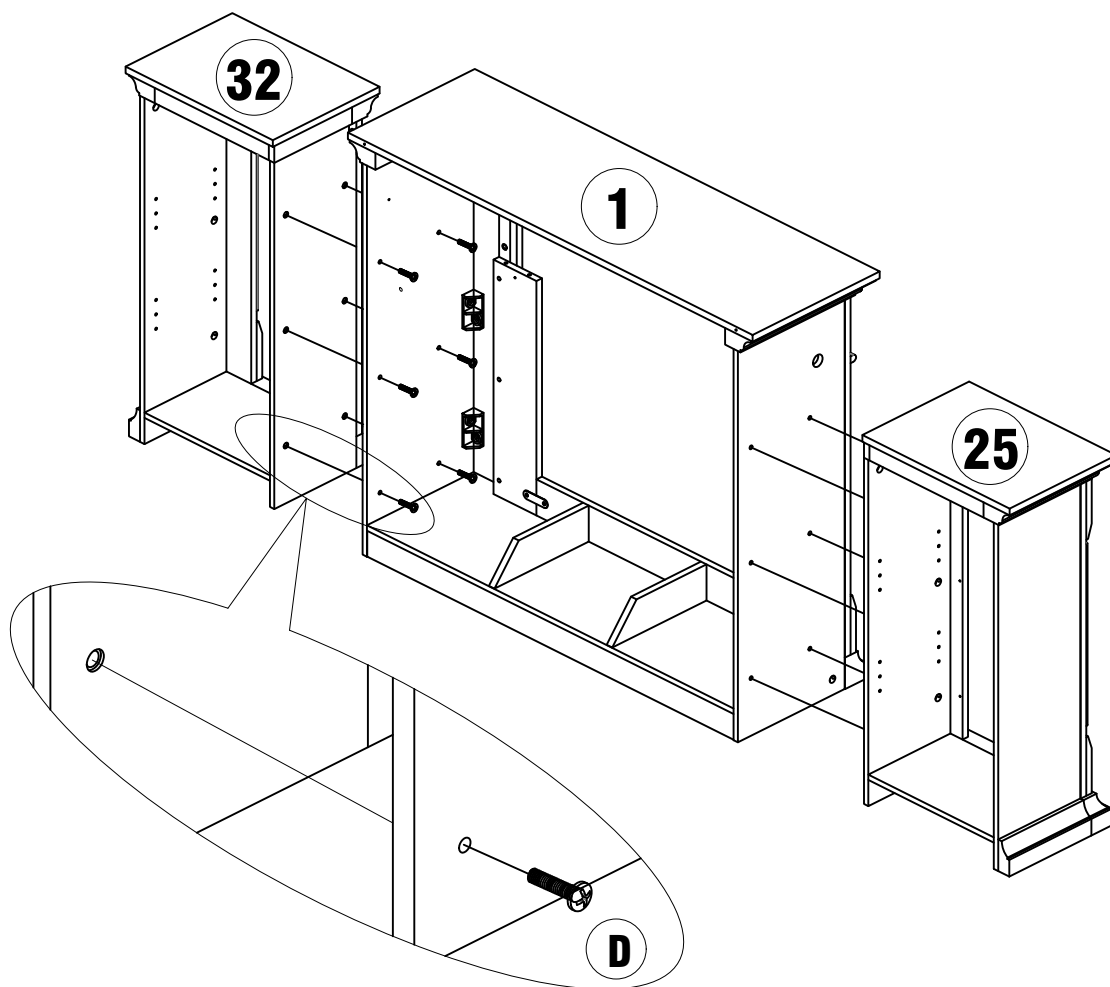
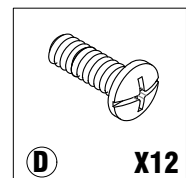


STEP 26


	
A	X16
	K
	X10



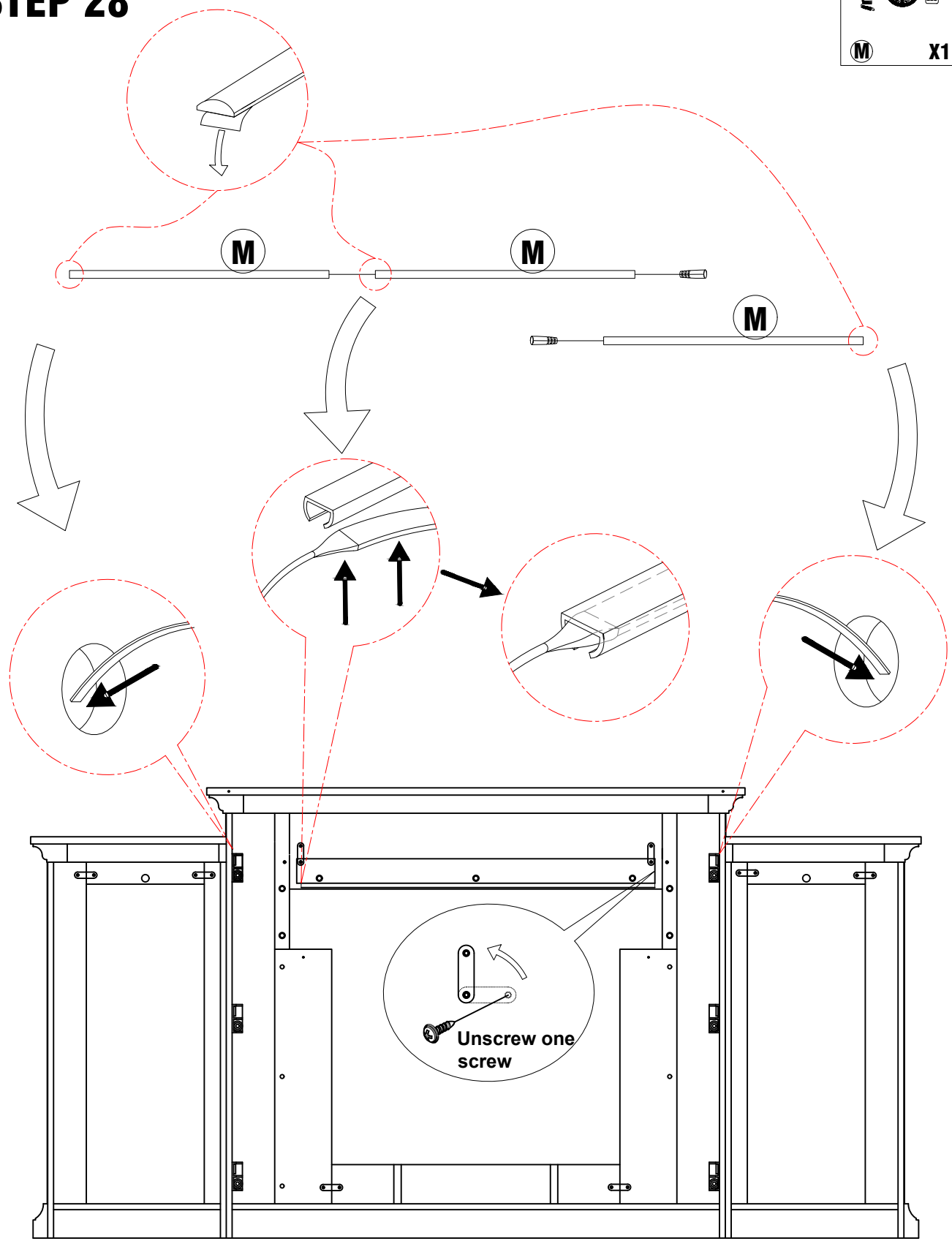
STEP 27





STEP 28

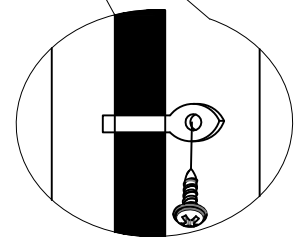
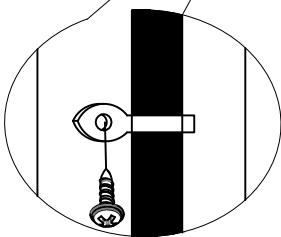
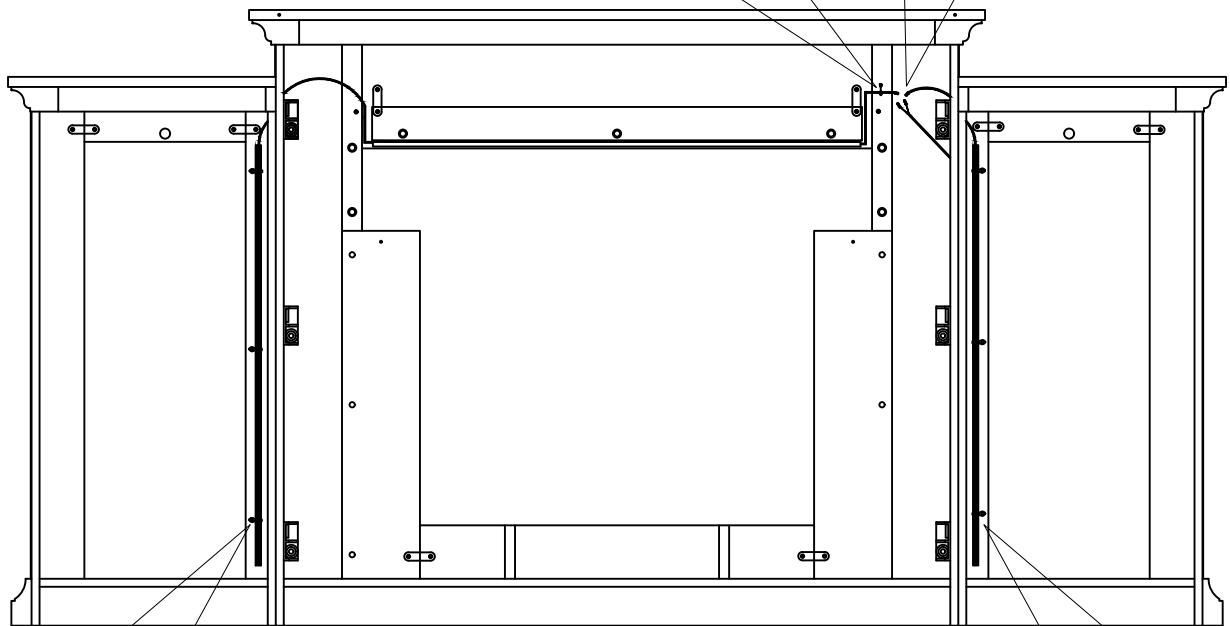
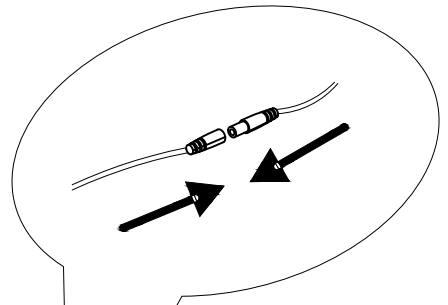
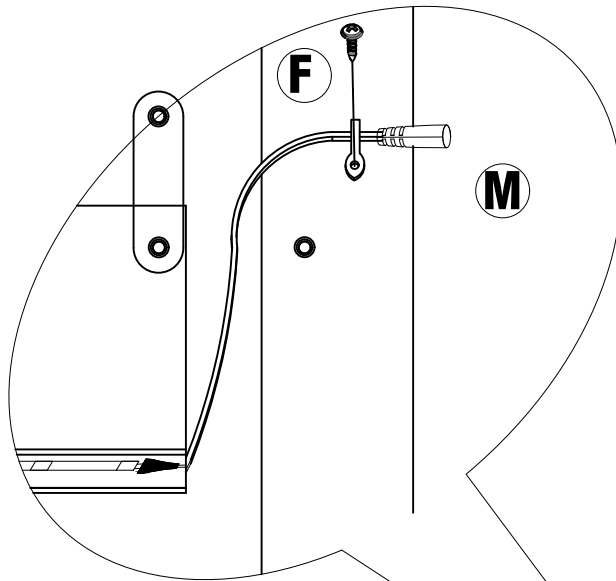


M X1

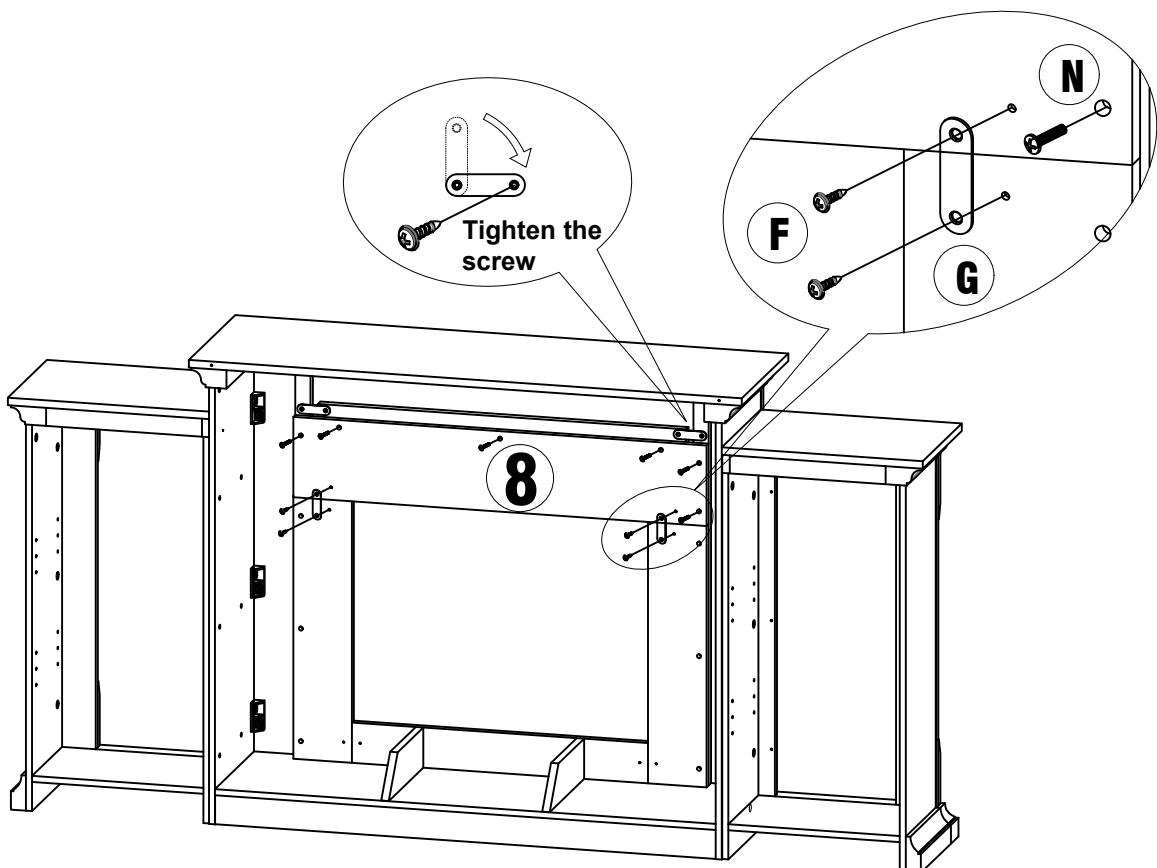
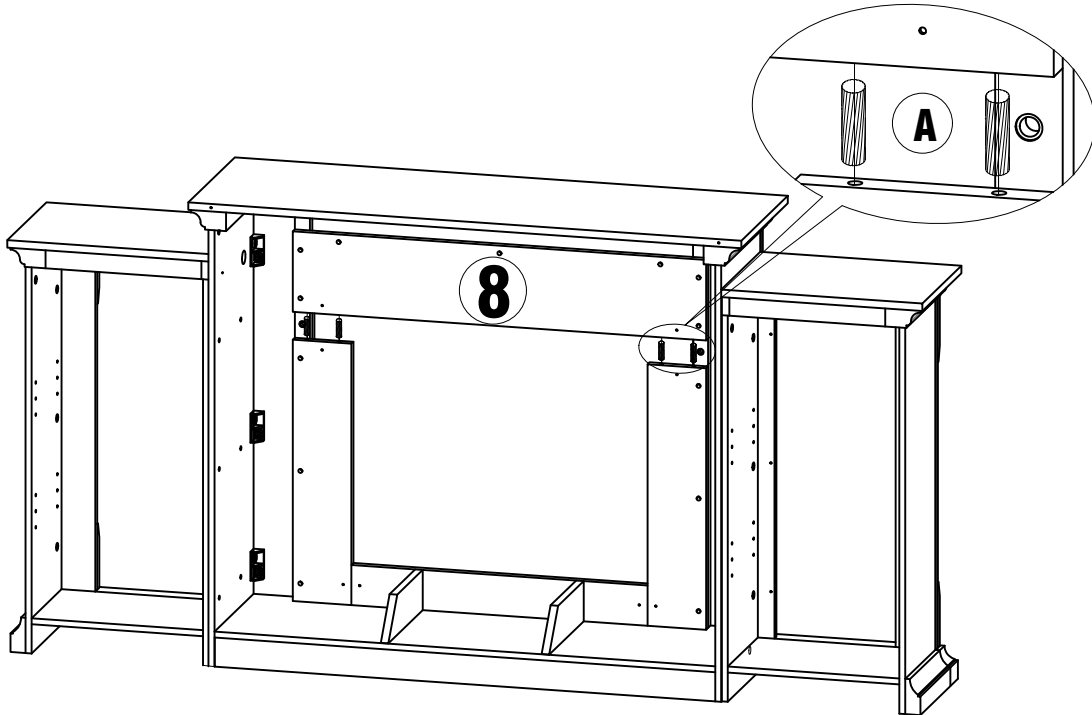
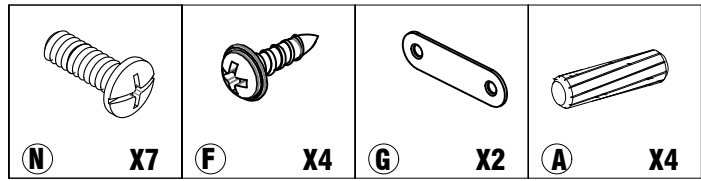


STEP 29

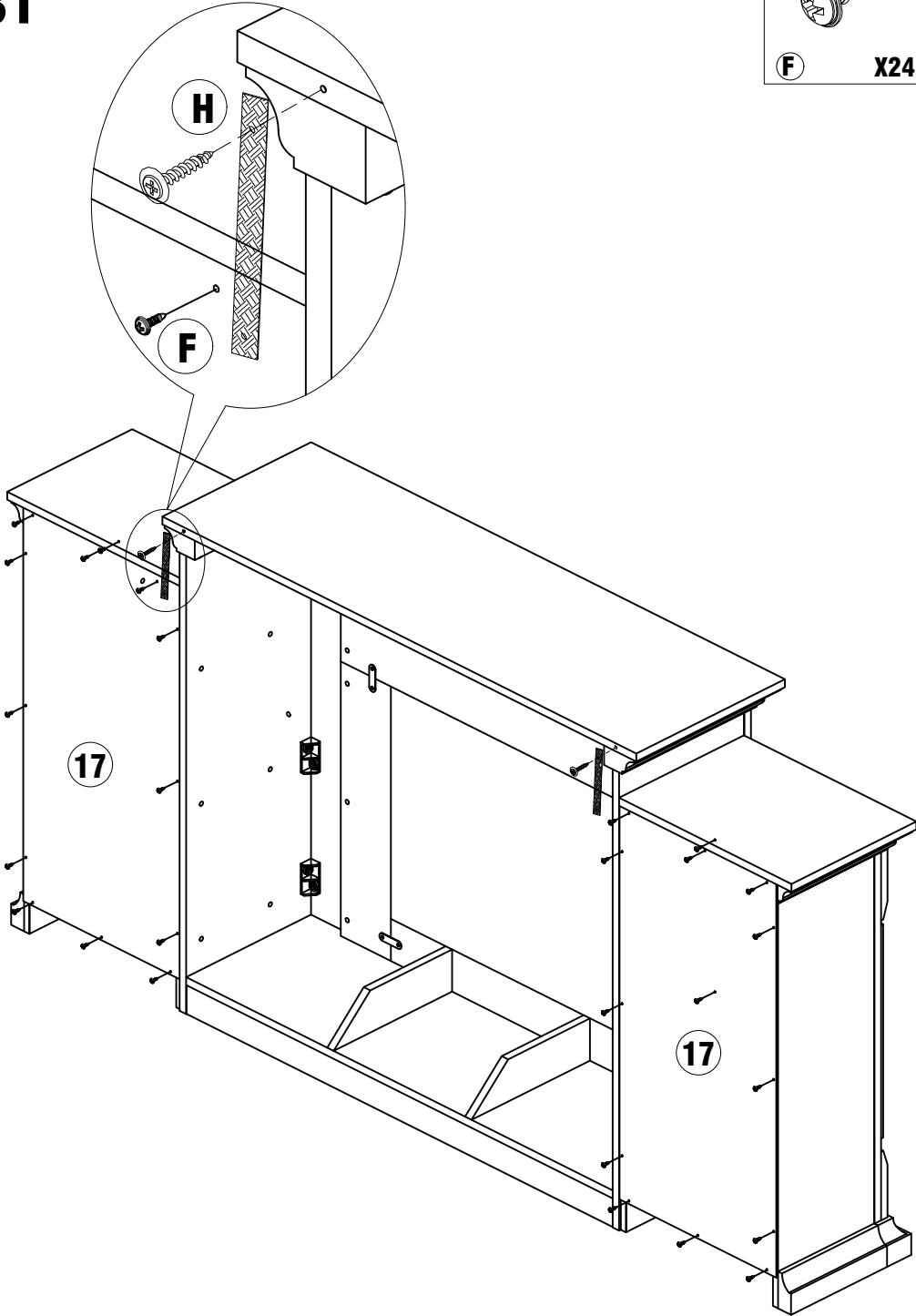
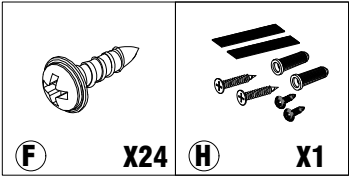
	
F	X7
M	X1



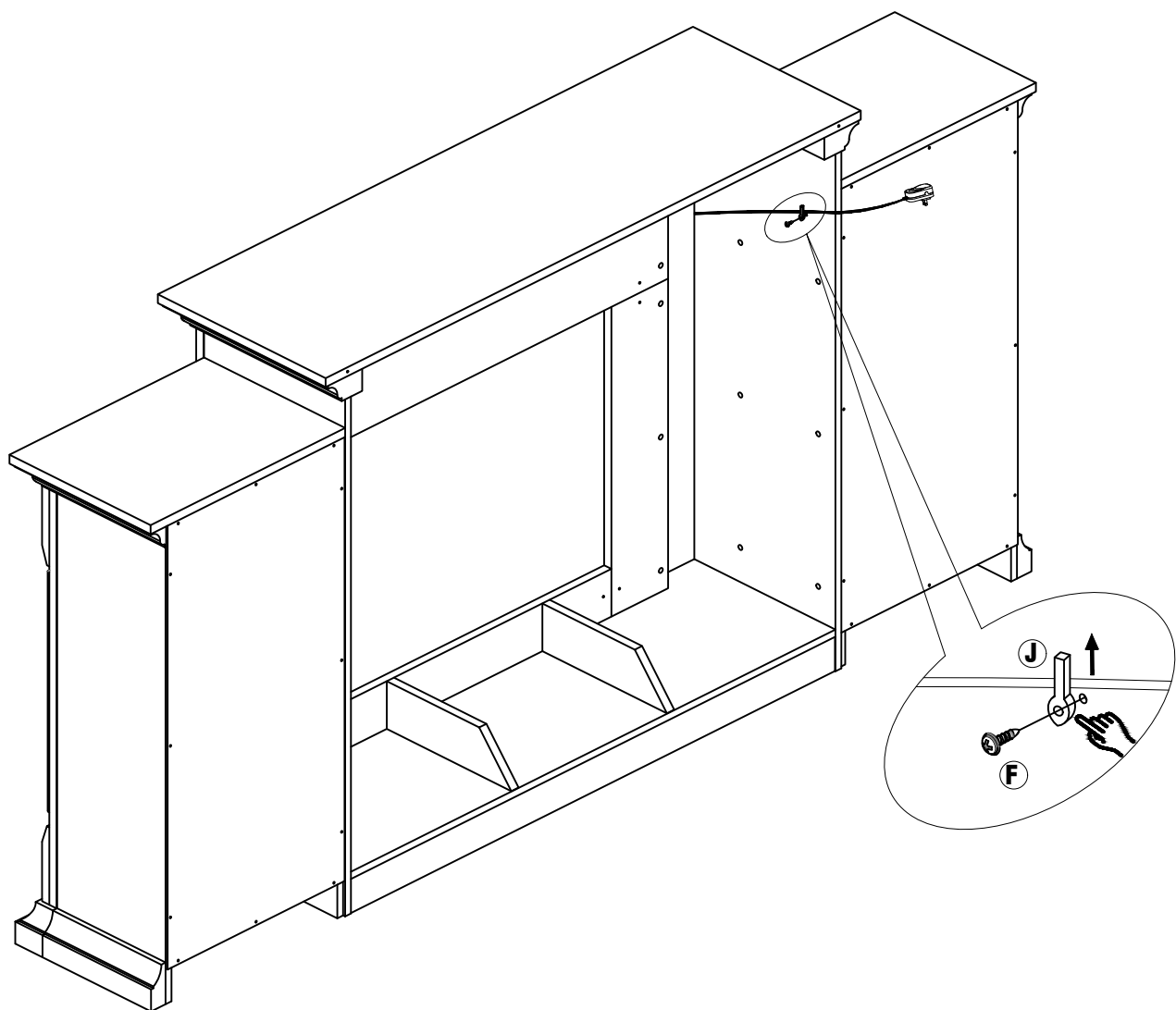
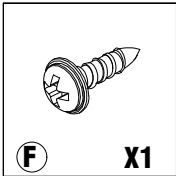
STEP 30



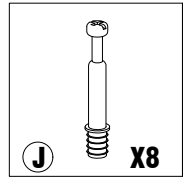
STEP 31



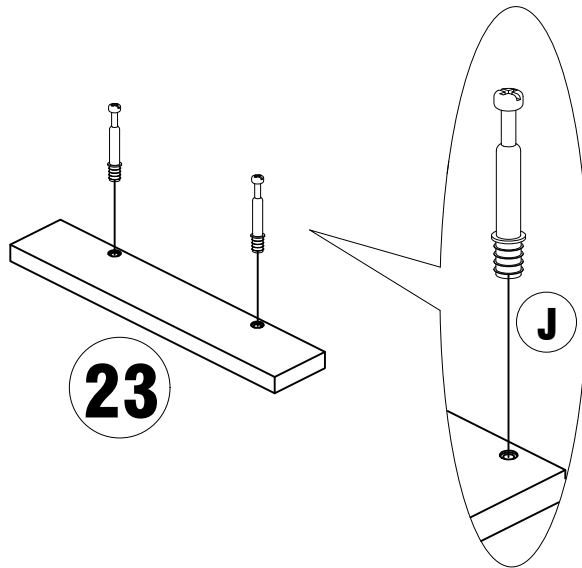
STEP 32



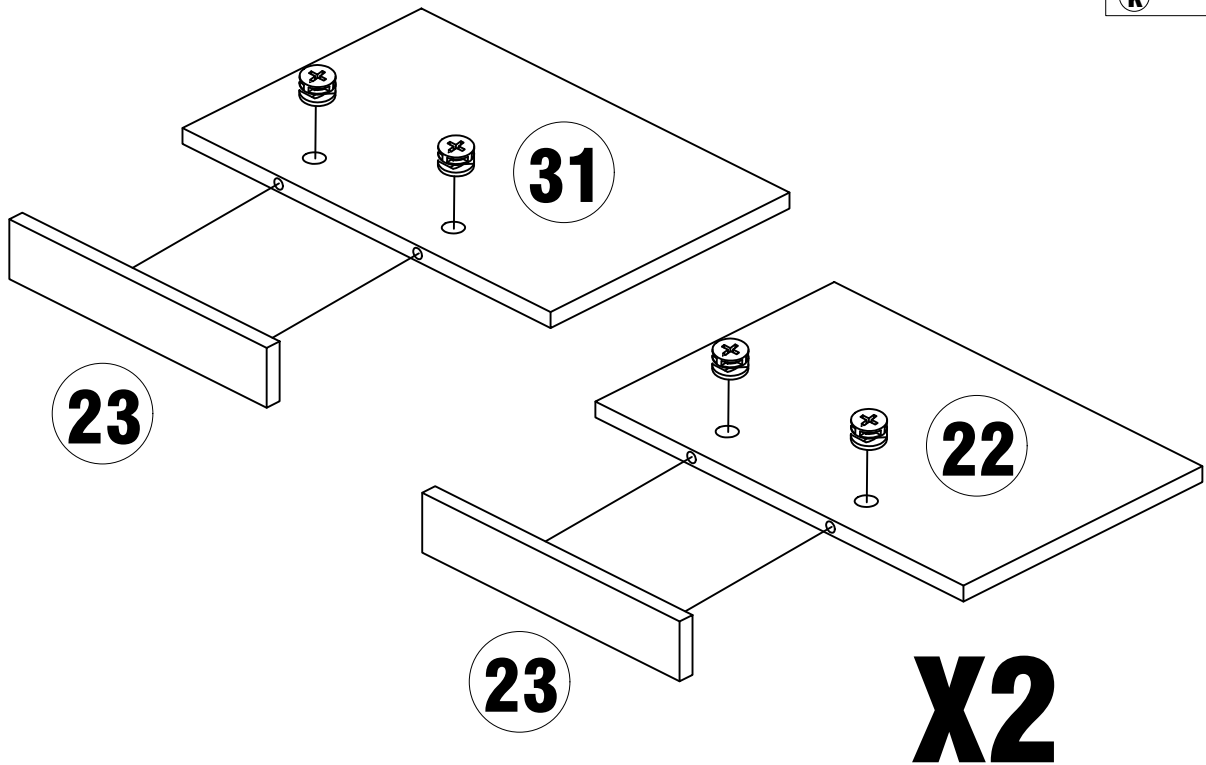
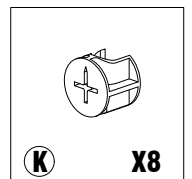
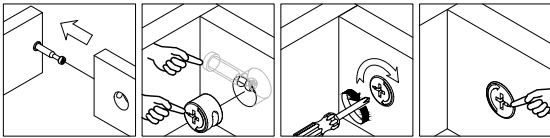
STEP 33



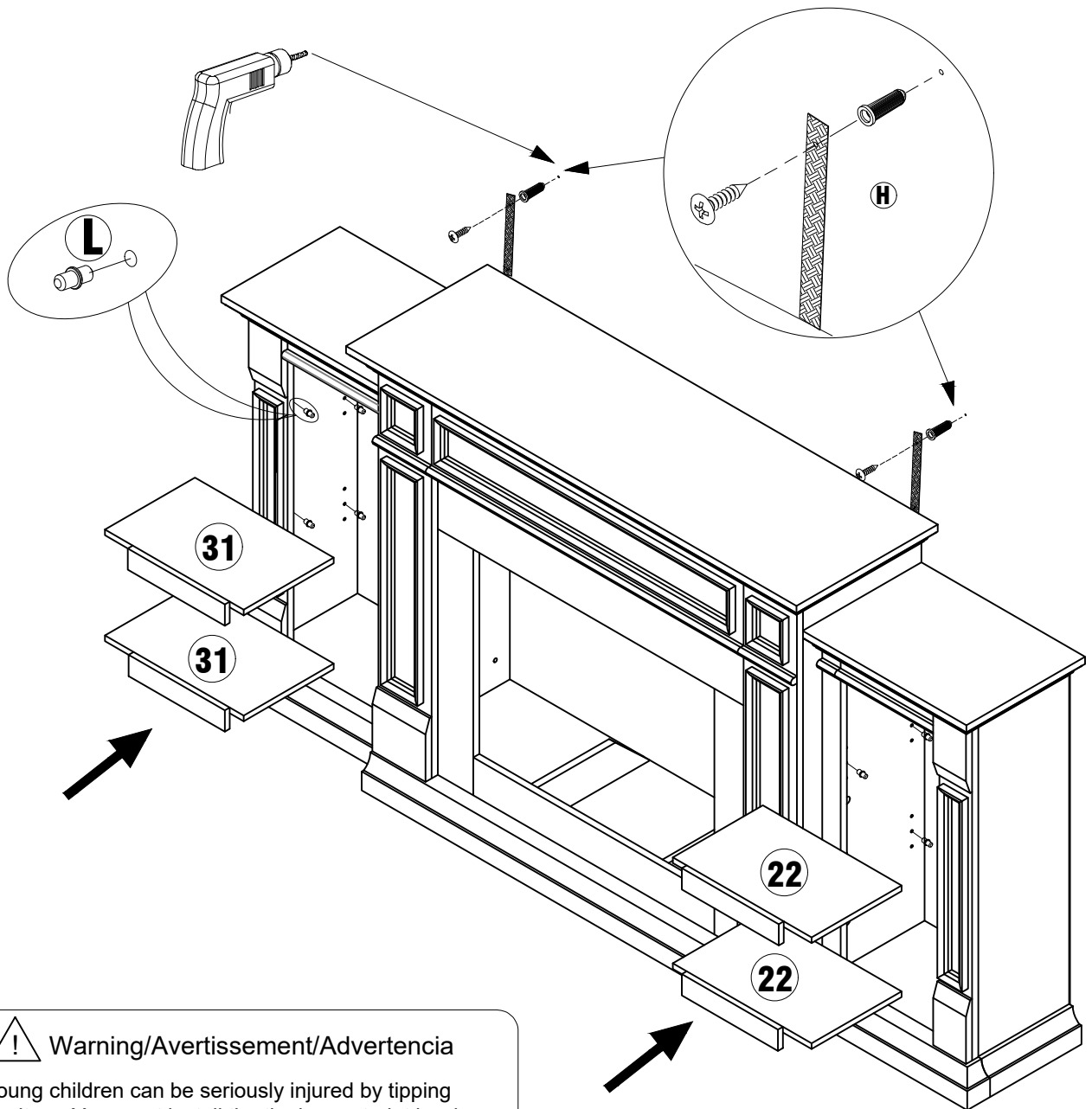
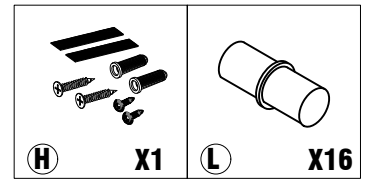
X4



STEP 34



STEP 35



Warning/Avertissement/Advertencia

Young children can be seriously injured by tipping furniture. You must install the tipping restraint hardware with the unit to prevent the unit from tipping, causing any accidents or damage.

Les jeunes enfants peuvent se blesser grièvement si le meuble bascule. La trousse antibascule doit être installée pour prévenir la chute du meuble causant des accidents ou des dommages à l'unité.

Los niños pequeños pueden sufrir graves por muebles que se caen. Debe instalar el herraje para restricción de movimiento con la unidad en servicio evitar que la unidad se vuelque, provocando accidentes o daños.

Drill a 3/16" diameter hole (5mm) in the wallboard. Tap the wall anchor into the hole until it is flush. Fasten the safety strap to the wall anchor with the 1" screw.

Percez un trou de 3/16" de diamètre (5 mm) dans le mur. Enfoncez l'ancrage mural dans le trou jusqu'à ce qu'il soit à égalité avec le mur. Fixez le courroie de sécurité à l'ancrage mural avec la vis de 25mm.

Taladre un agujero de 3/16" de diámetro (5mm) en la pared. Golpea la ancla de pared en el agujero hasta que sea parejo. Abroche la cordón de seguridad al la ancla de la pared con el tornillo de 25mm.