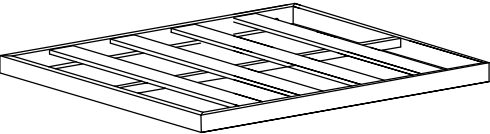
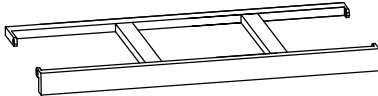
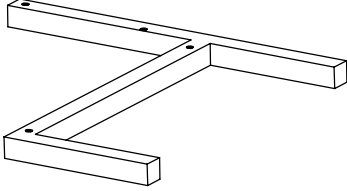
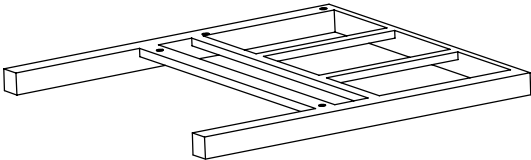
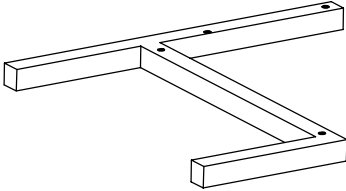
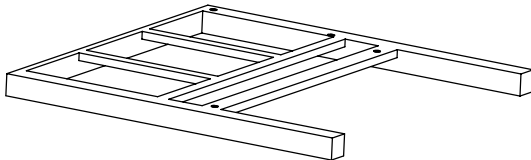
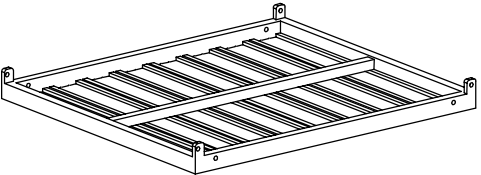
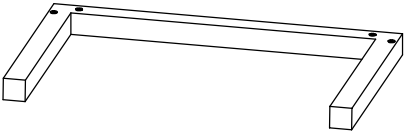
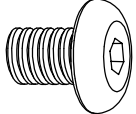
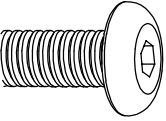
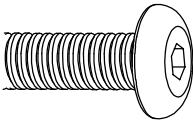
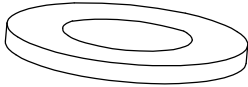
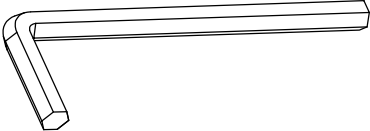
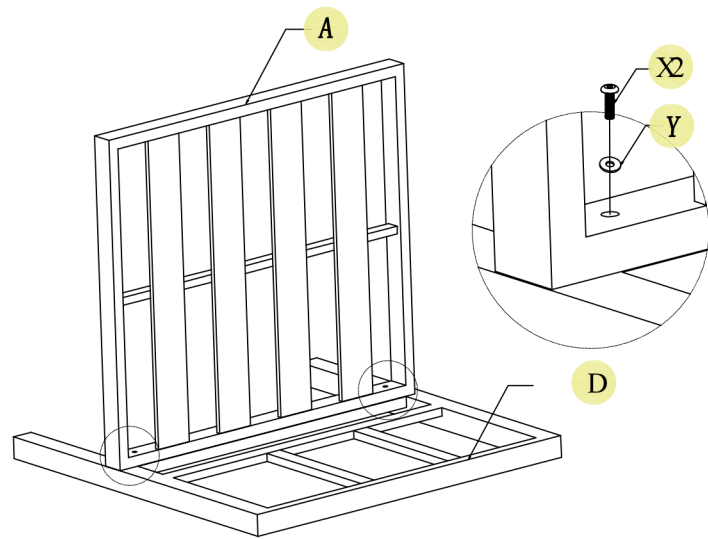
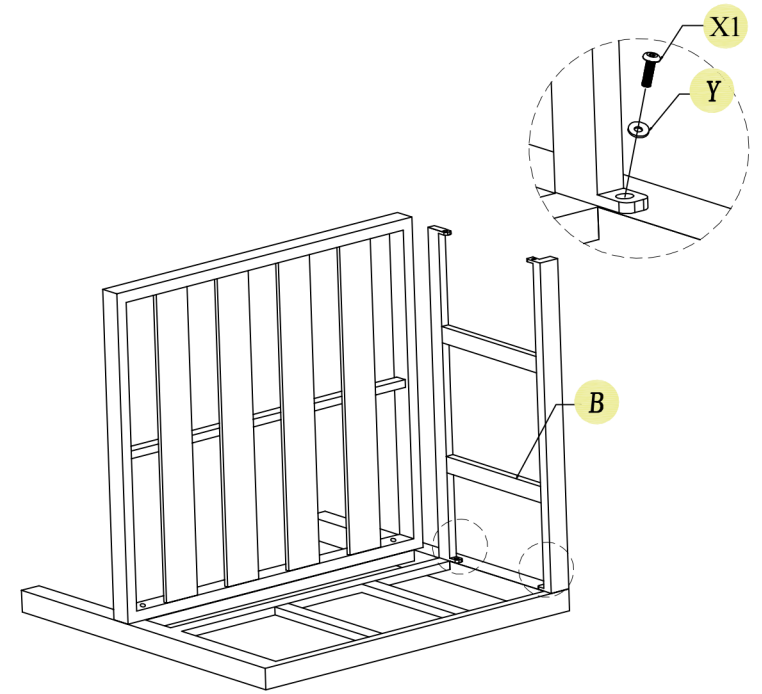


NO.		QTY	NO.		QTY	NO.		QTY
A		2	B		2	C		1
D		1	C1		1	D1		1
E		1	F		2	X1	 M6x20	12
X2	 M6x25	8	X3	 M6x30	4	Y		24
Z		2						

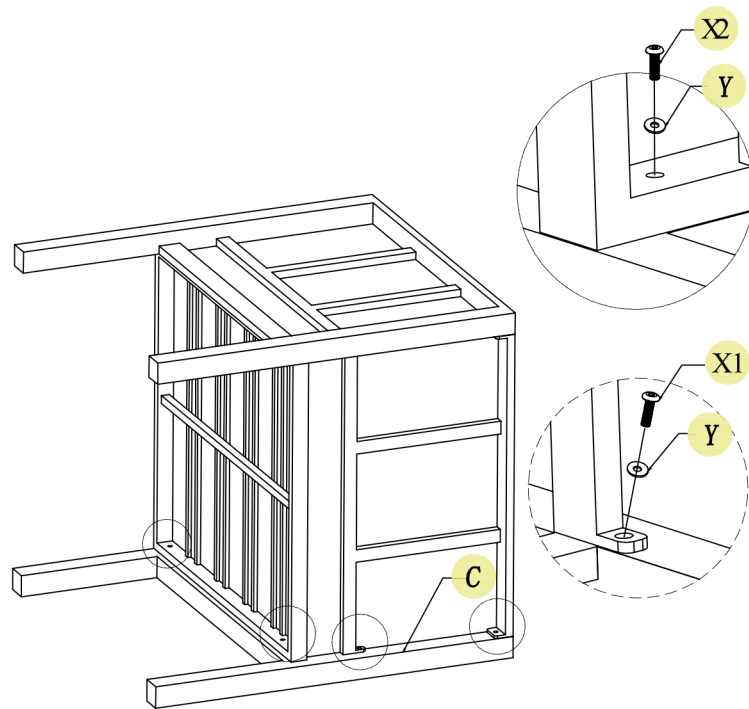
STEP 1



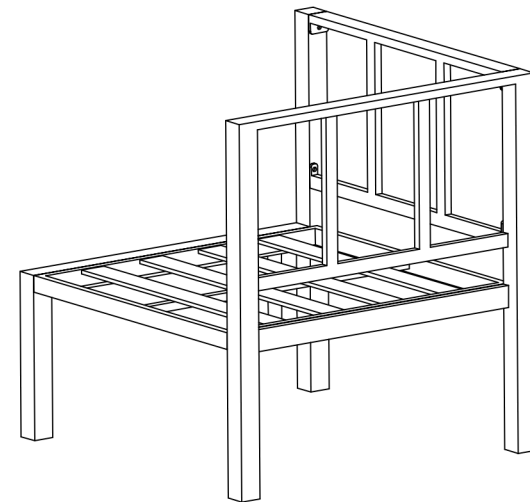
STEP 2



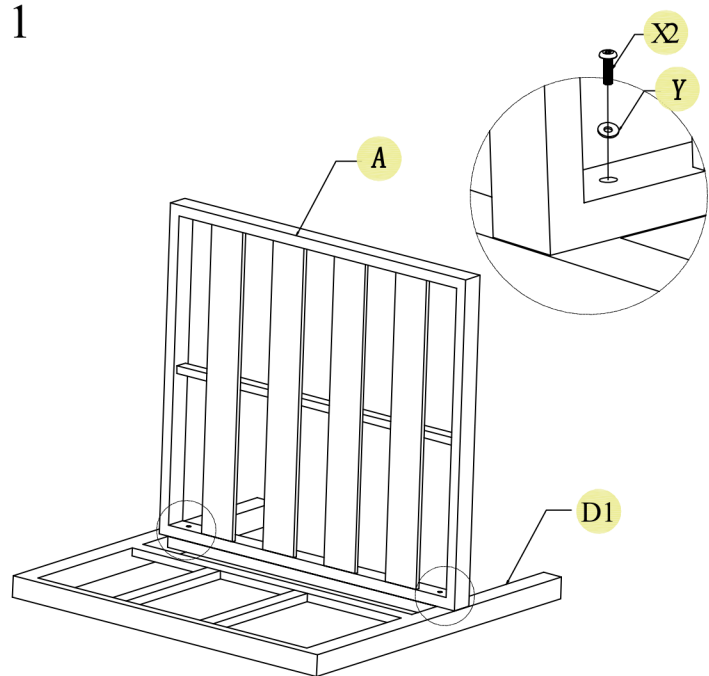
STEP 3



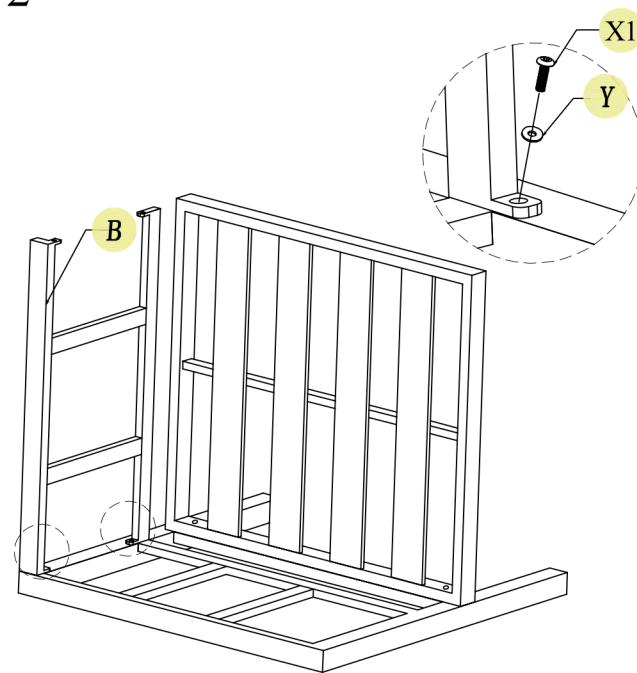
STEP 4



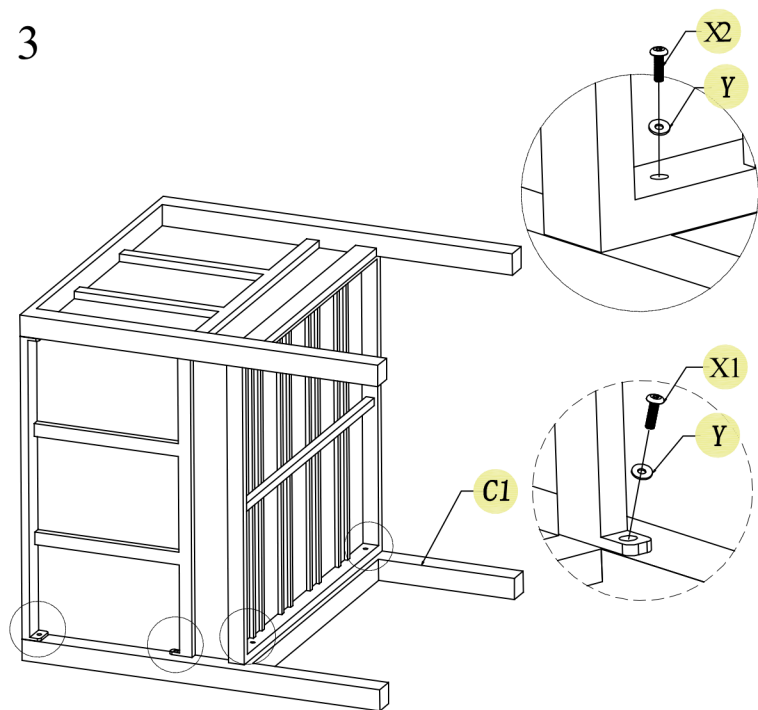
STEP 1



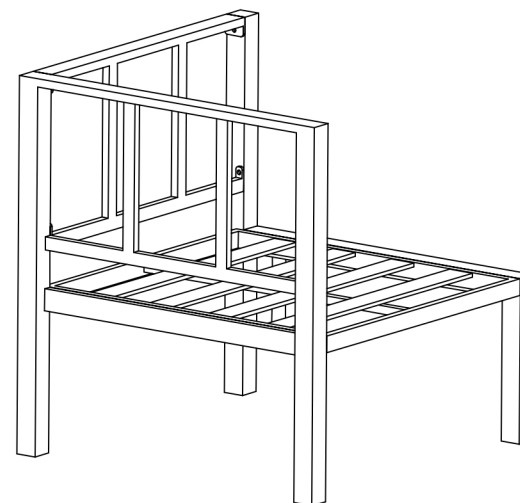
STEP 2



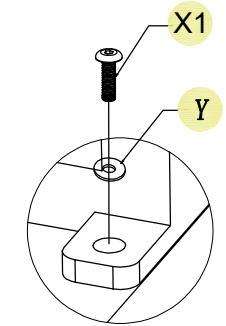
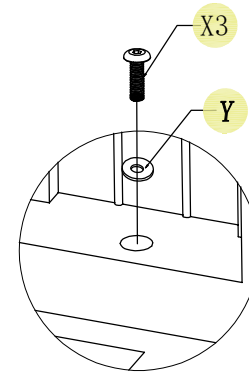
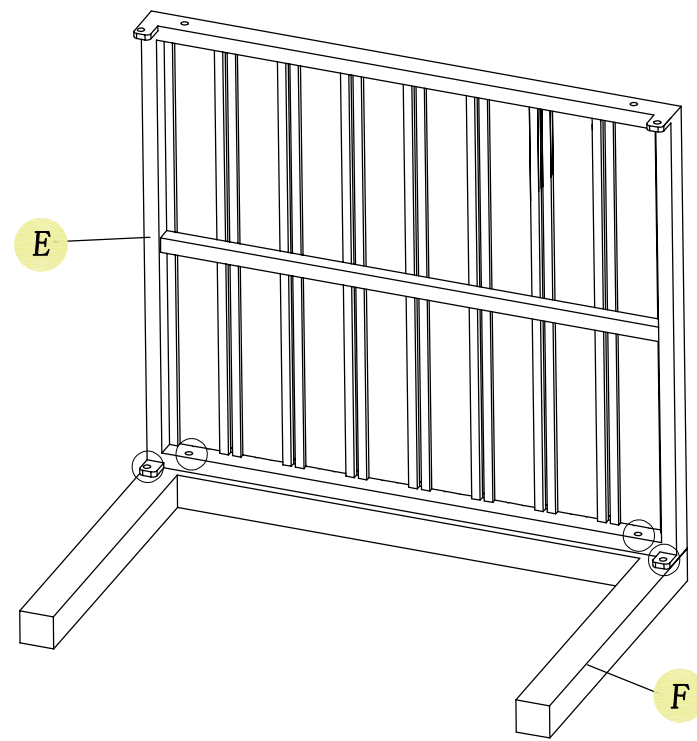
STEP 3



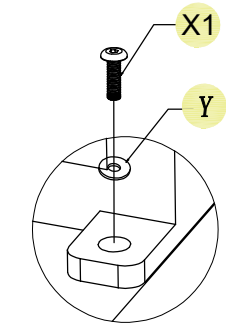
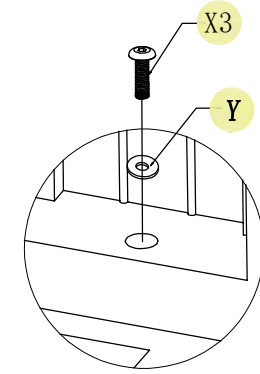
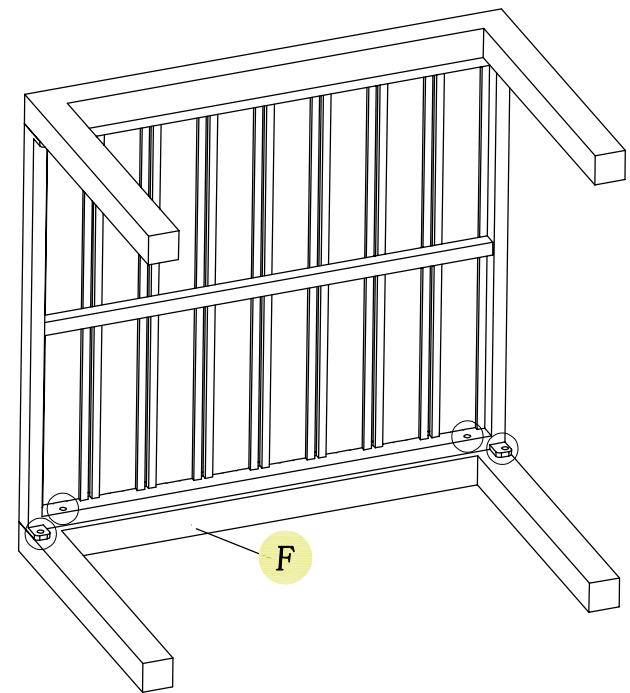
STEP 4

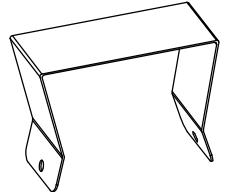
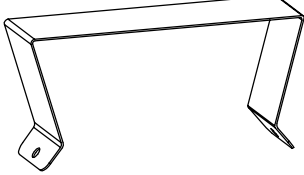


STEP 1



STEP 2



NO.		QTY
M1		4
M2		2

