


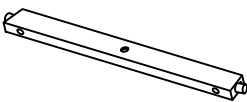
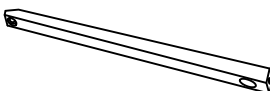


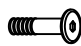



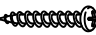

Product Assembly Instructions

DINING TABLE

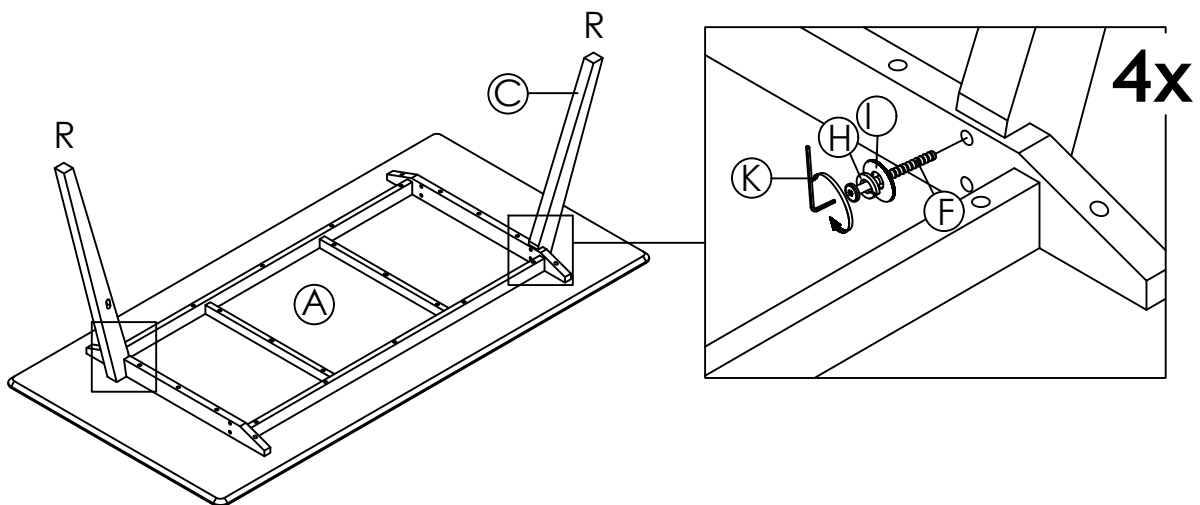
PART LIST

 A : TABLE TOP x1	 B : TABLE LEG (L) x2	 C : TABLE LEG (R) x2
 D : TABLE LEG STRETCHER x2	 E : TABLE LEG SUPPORT RAIL x2	

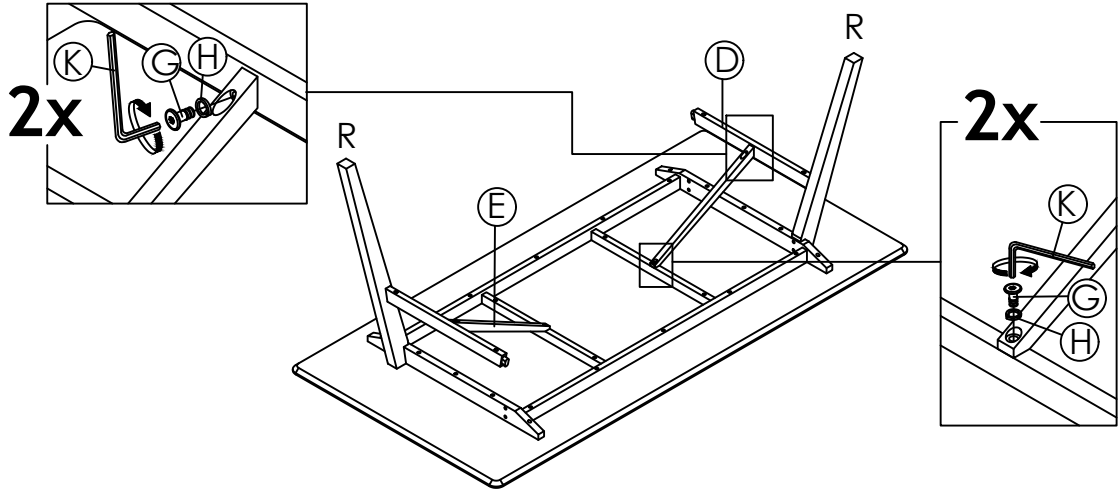
HARDWARE LIST

 F : JCBC SCREW M6 x 50mm x8	 G : JCBC SCREW M6 x 25mm x4	 H : SPRING WASHER 1/4" x12
 I : FLAT WASHER 1/4" x8	 J : PAN HEAD SCREW M5 x 32MM x4	 K : ALLEN KEY M4 x1

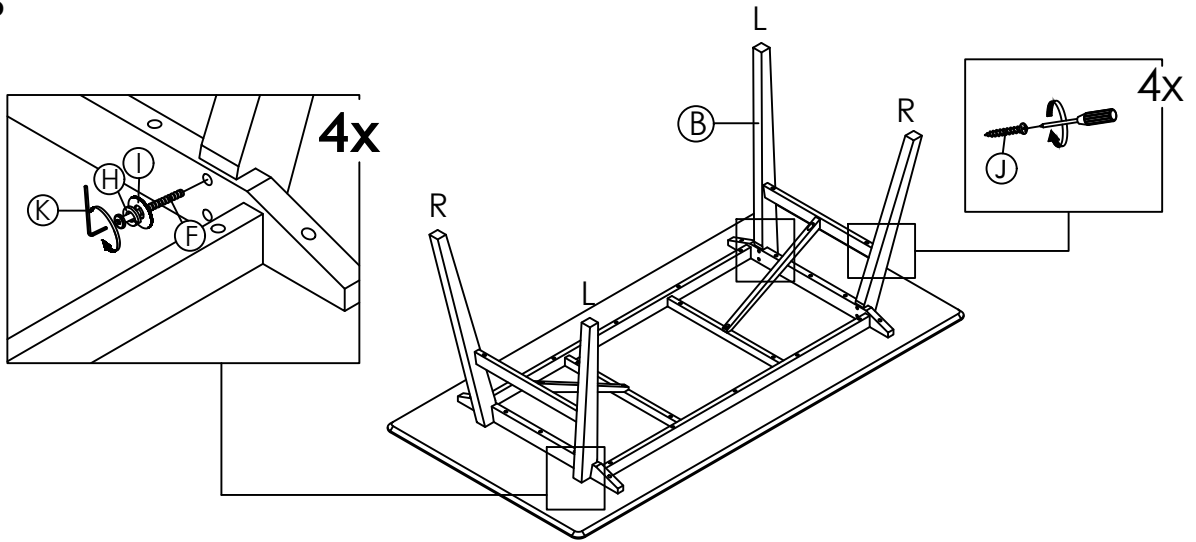
STEP 1



STEP 2



STEP 3



STEP 4

