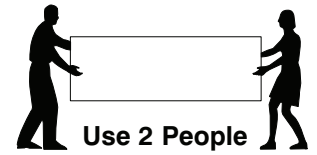
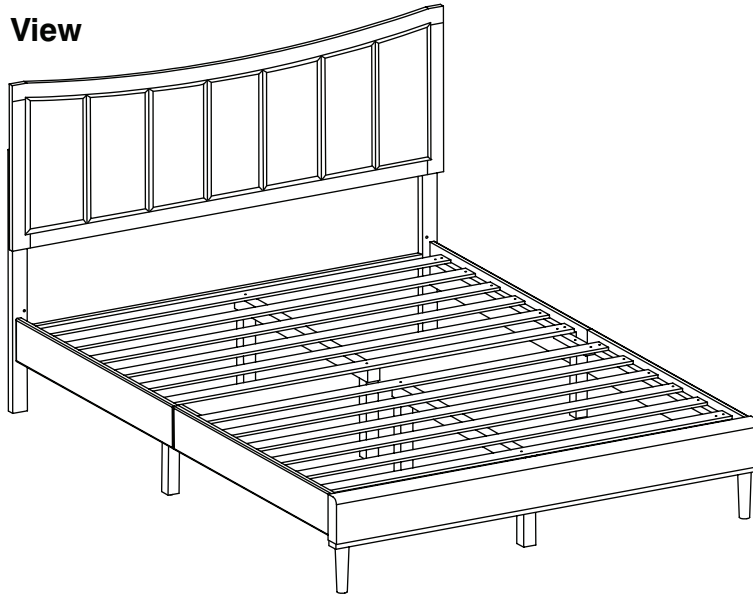


0226 Queen Bed

Assembly Instructions

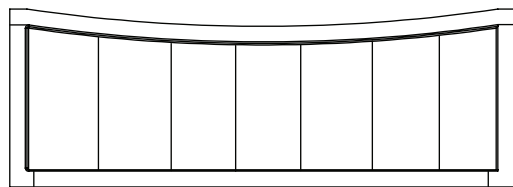
WI-0724

1 Assembled View



Note: Do not assemble using power tools. This can cause the bolts to be overtightened

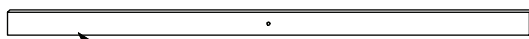
2 Parts List



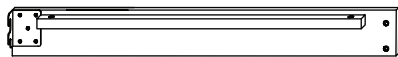
A Headboard Panel x 1



B Footboard Panel x 1



C Headboard Support x 1



D Side Rail (Left Hand) x 2



E Side Rail (Right Hand) x 2



J Headboard Post (Left Hand) x 1



K Headboard Post (Right Hand) x 1



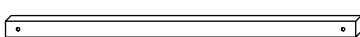
L Footboard Post x 2



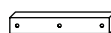
M Support Leg x 6



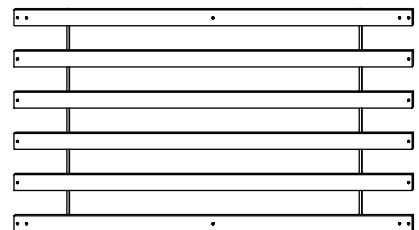
F Footboard Lower x 1



G Long Support x 2



H Support Bar x 2



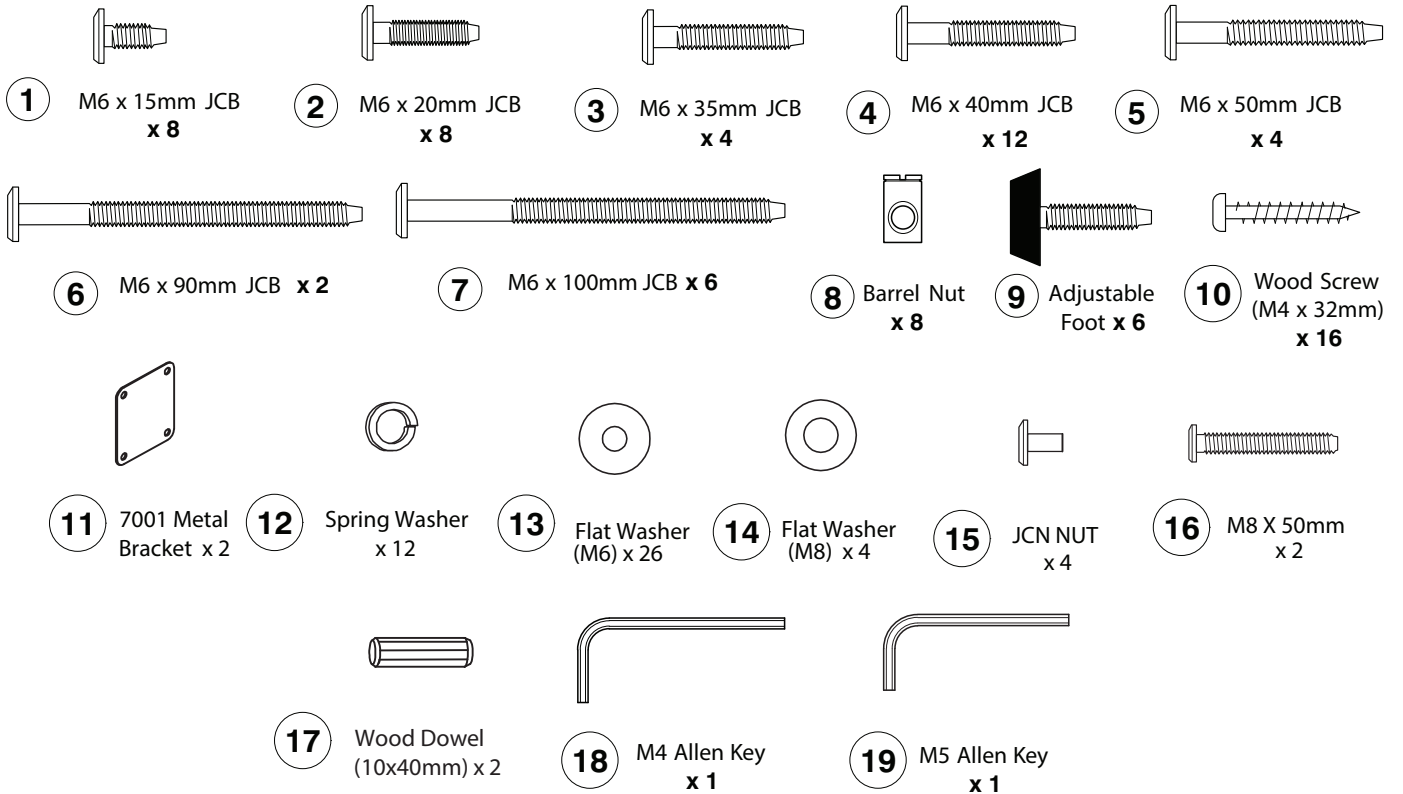
N Set of Bed Slats x 2

0226 Queen Bed

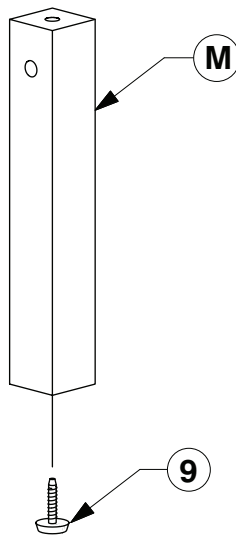
Assembly Instructions

WI-0724

3 Hardware List

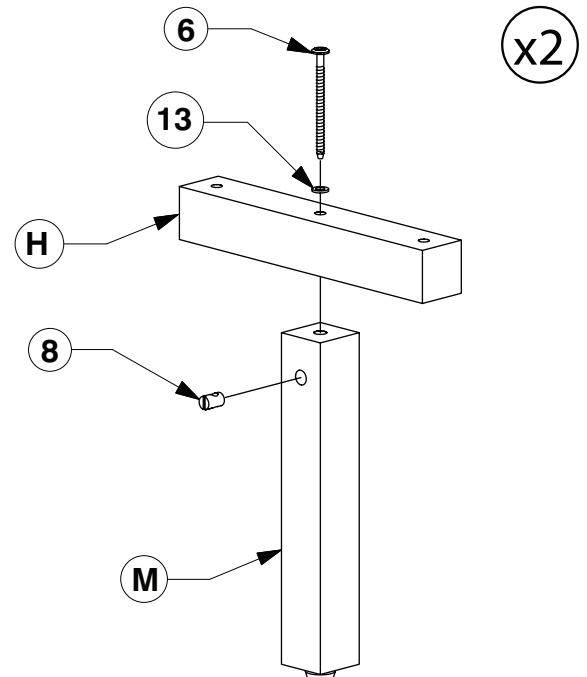


4 Fit the Adjustable foot to the bottom of the Support Leg (M).



5 Fit the Support Bar (H) to the Support Leg (M).

x6



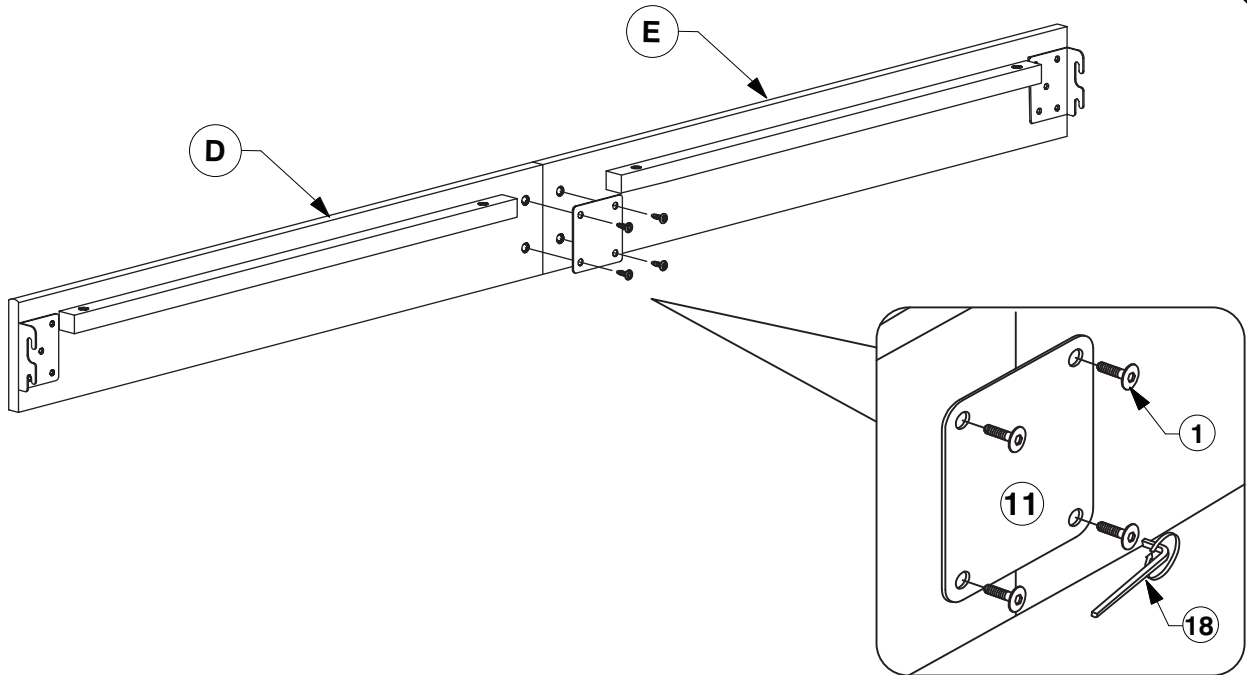
0226 Queen Bed

Assembly Instructions

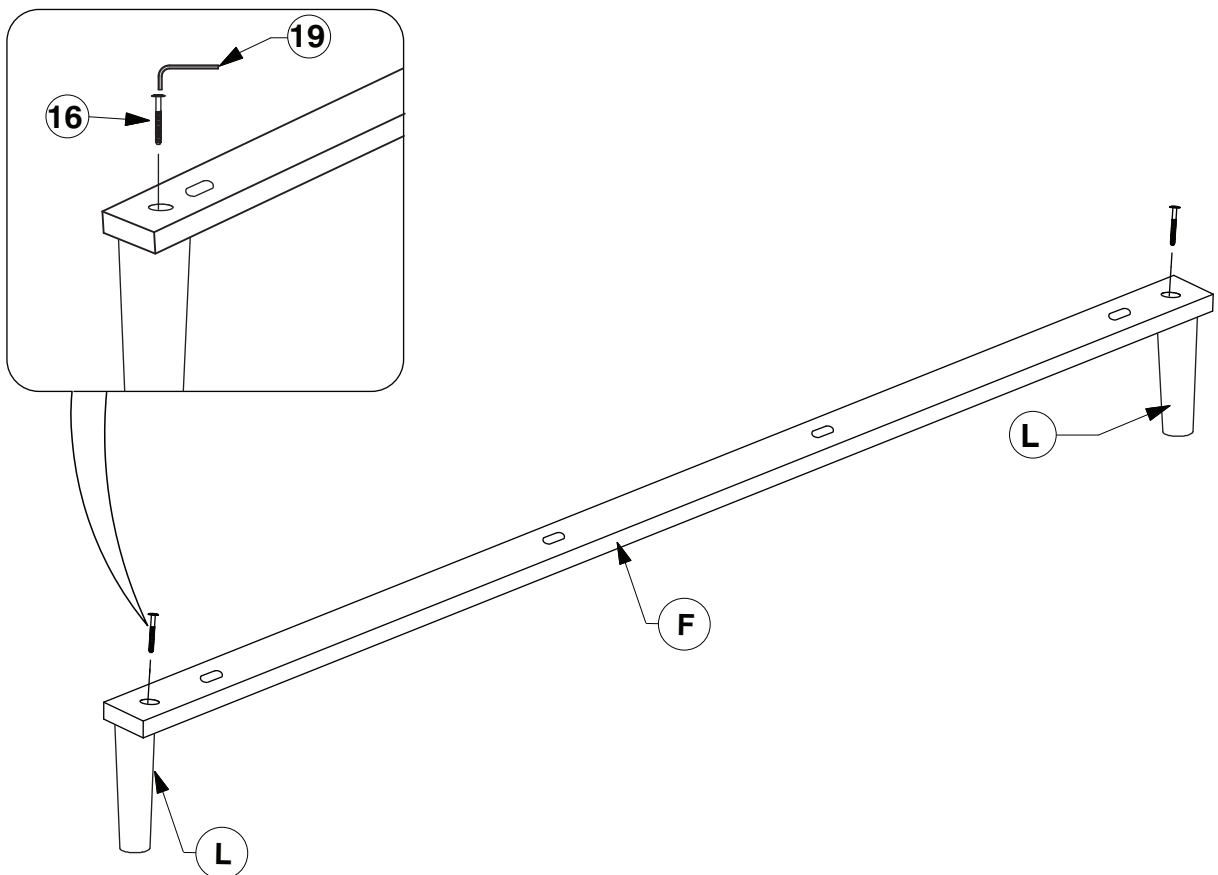
WI-0724

6 Fit the Metal Plate to the Side Rail (D & E).

x2



7 Assemble the Footboard Lower (F) to the FB Post (L).

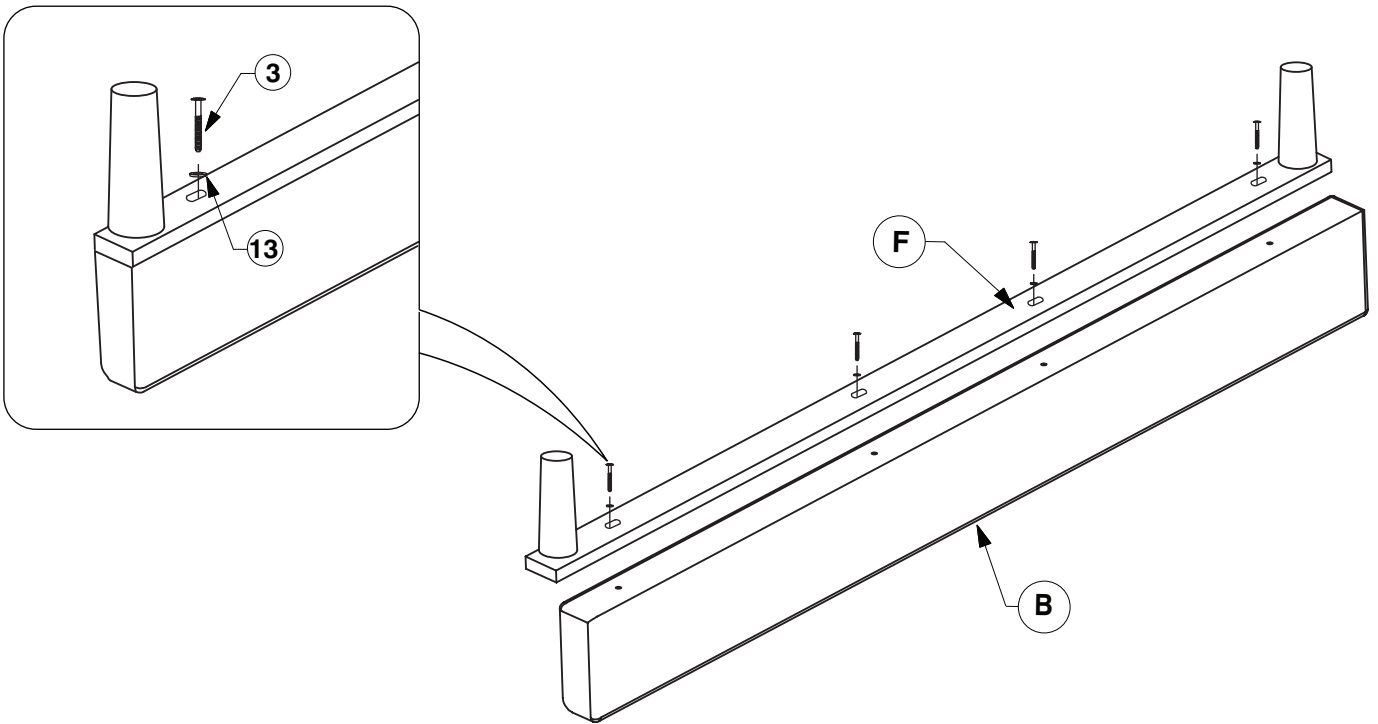


0226 Queen Bed

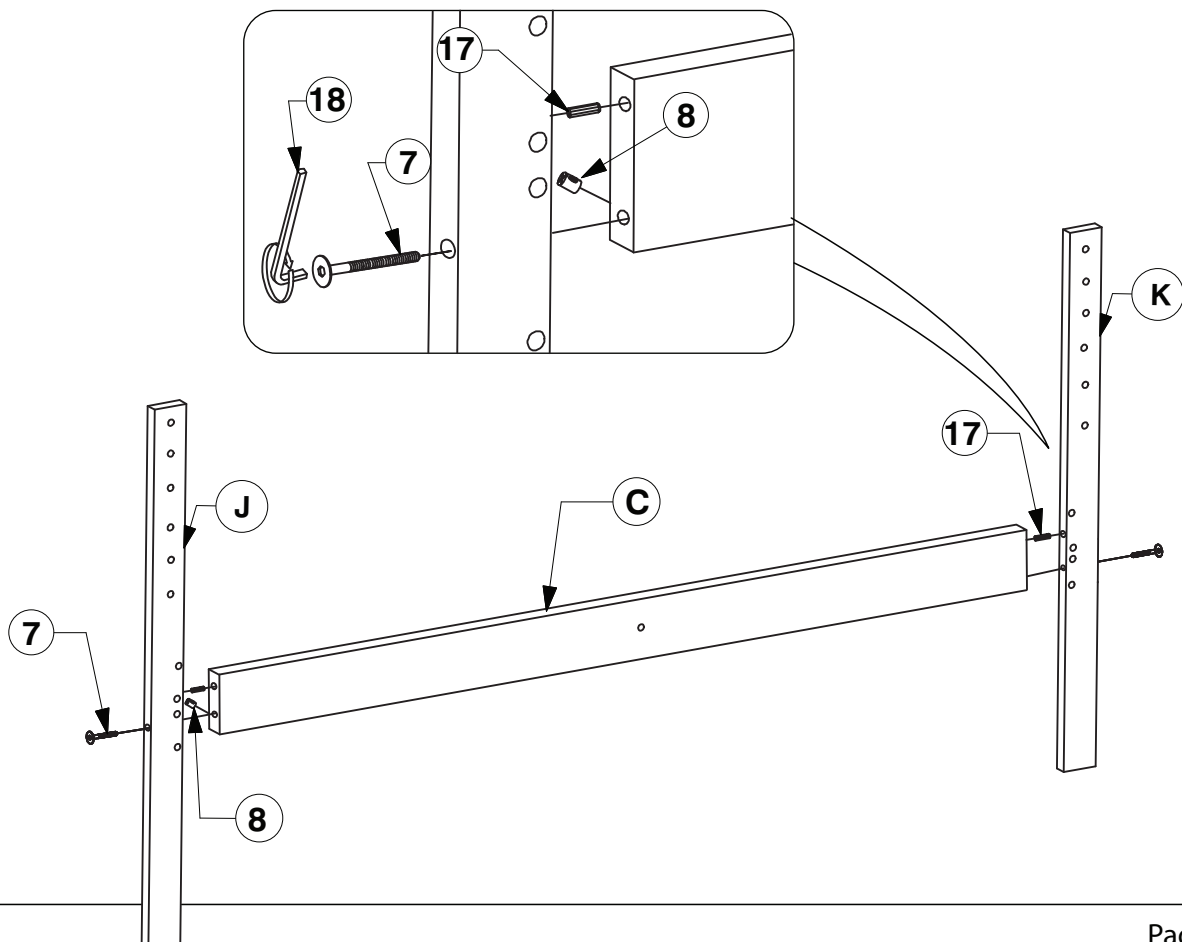
Assembly Instructions

WI-0724

- 8** Assemble the Footboard Lower (F) to the Footboard Panel (B).



- 9** Assemble the Headboard Support (C) to the HB Post (J & K) Left & Right.

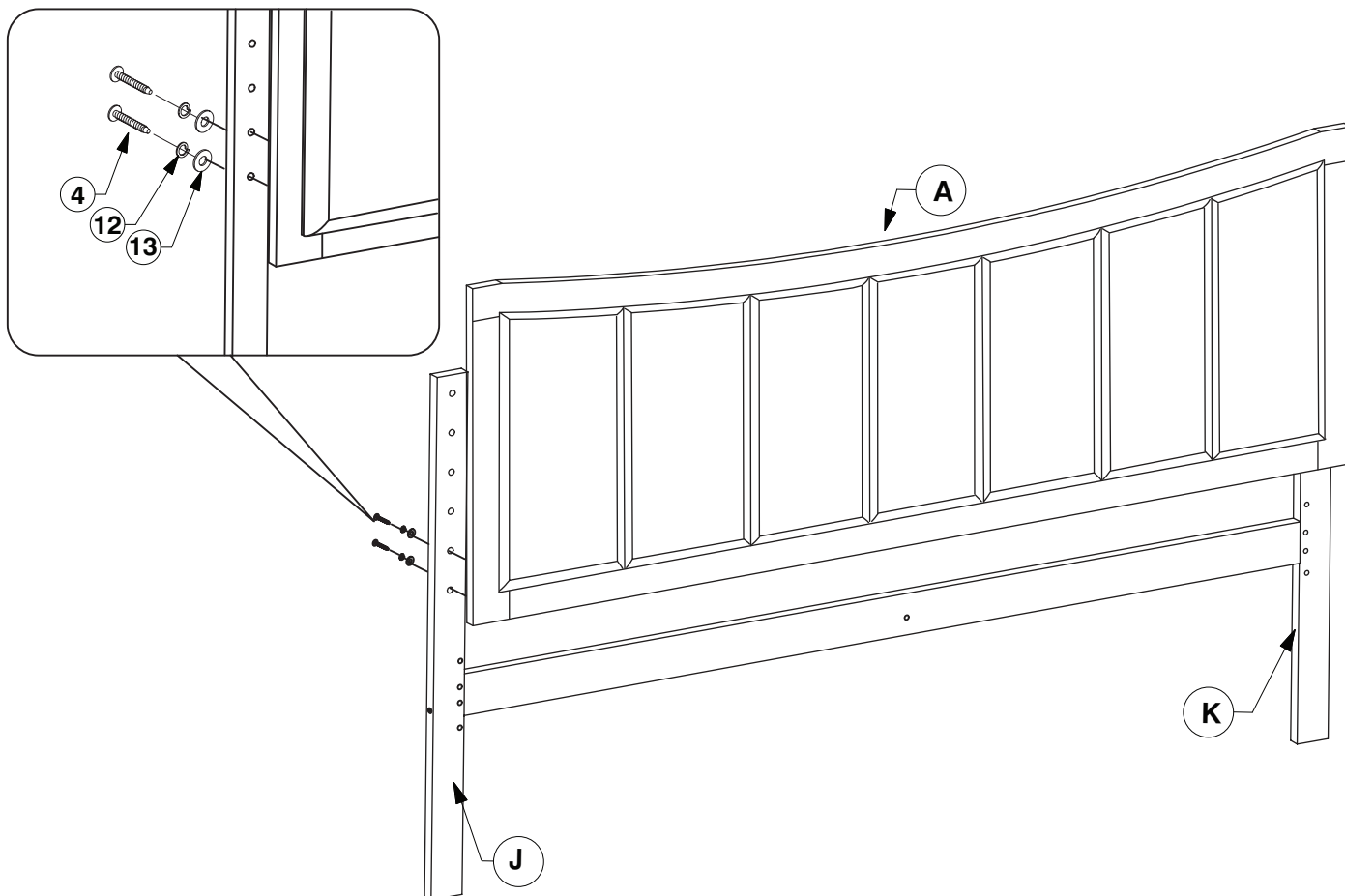


0226 Queen Bed

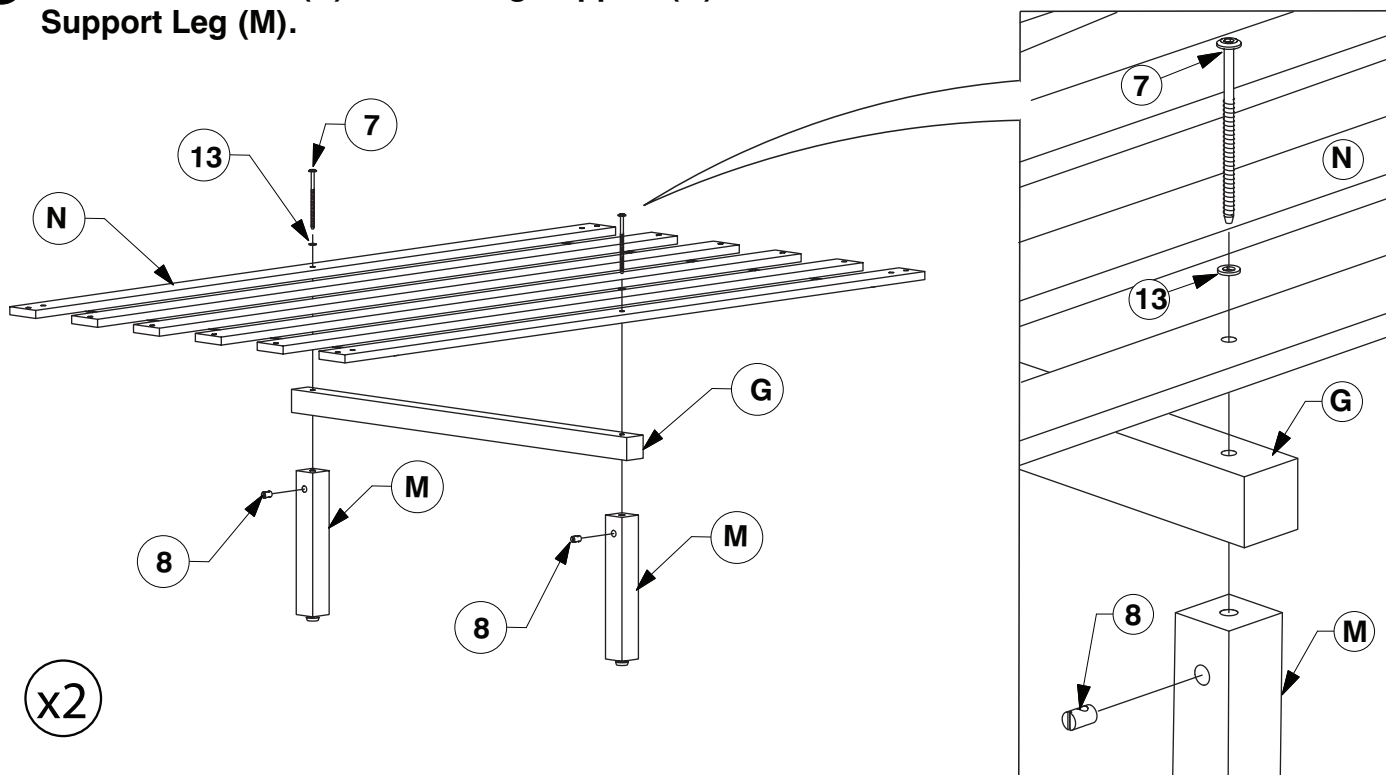
Assembly Instructions

WI-0724

- 10** Fit the Headboard Panel (A) to the HB Post (J & K).



- 11** Fit the Bed Slats (N) to the Long Support (G) & Support Leg (M).

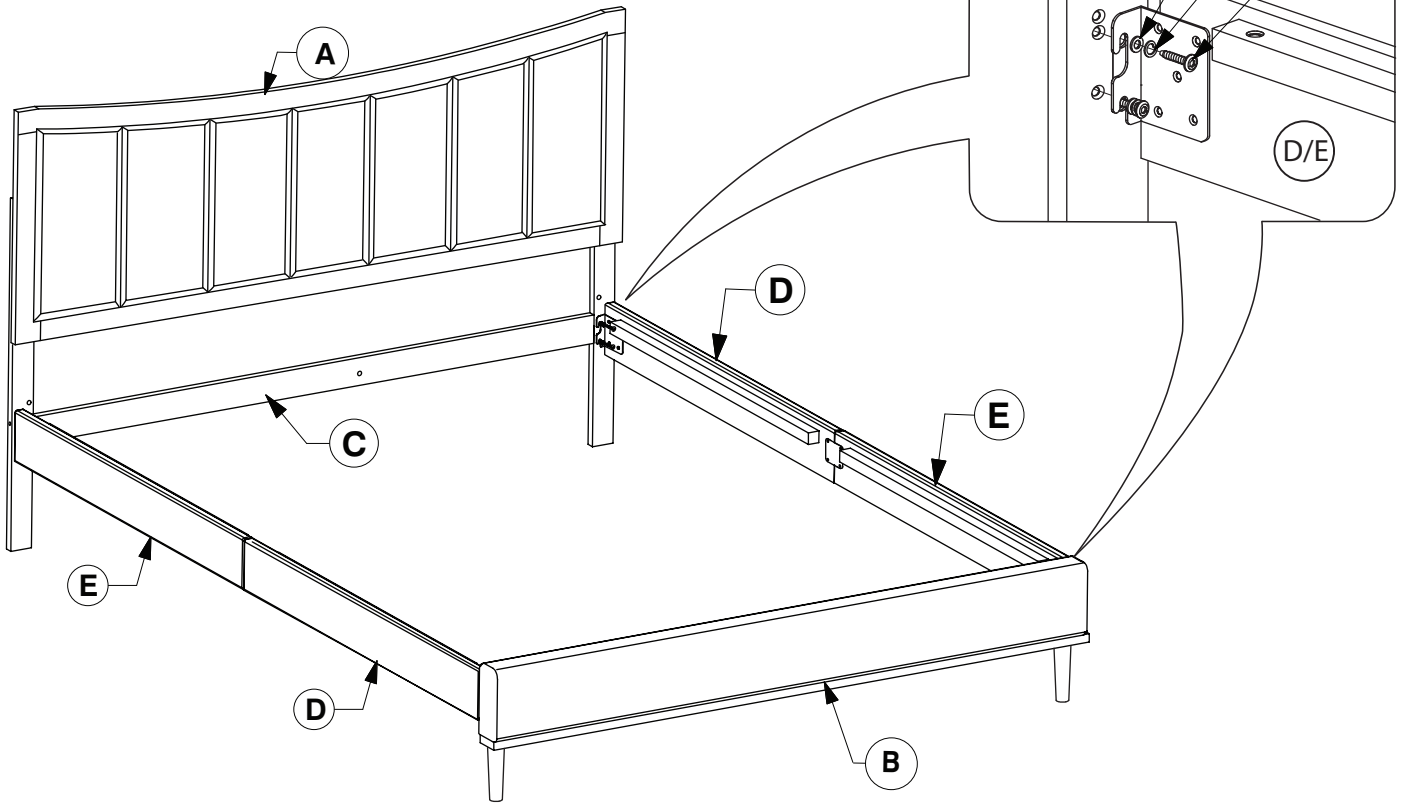


0226 Queen Bed

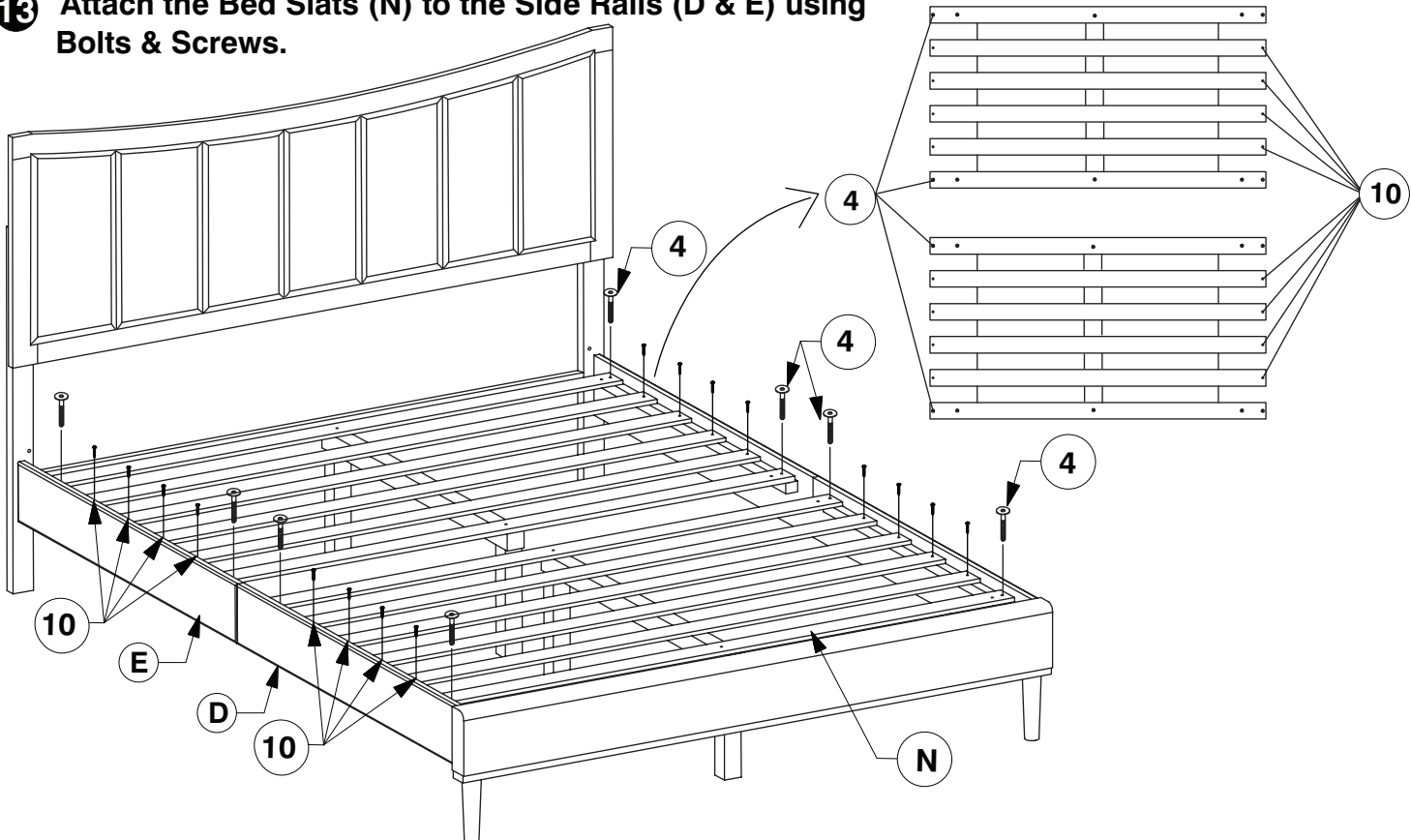
Assembly Instructions

WI-0724

12 Assemble the Side Rails (D & E) to the Headboard and Footboard Panels (A & B)



13 Attach the Bed Slats (N) to the Side Rails (D & E) using Bolts & Screws.



0226 Queen Bed

Assembly Instructions

WI-0724

14 Bolt the Support Bar (H) to the Bed Slats (N).

