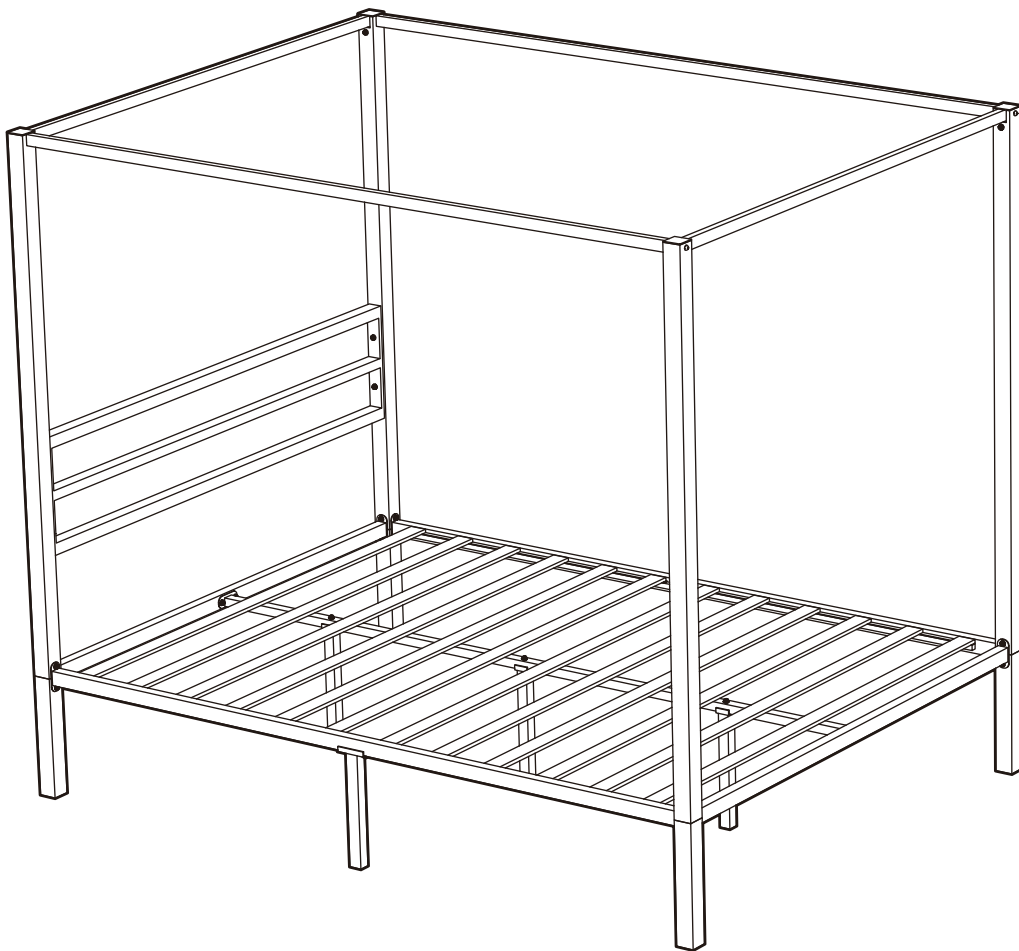


Canopy Platform Bed Frame

SBWZC005/SBWZC006

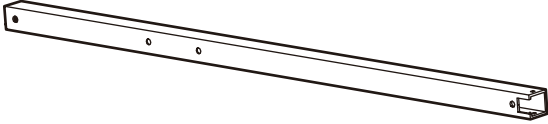
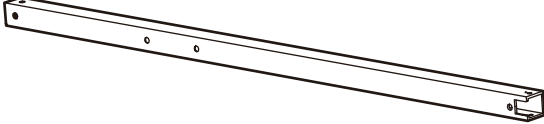
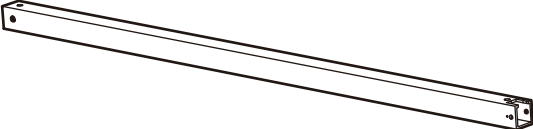
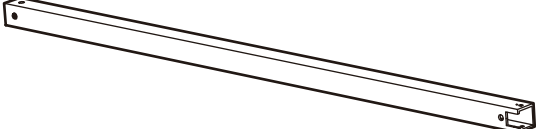
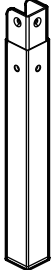
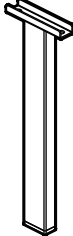


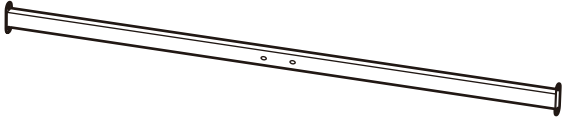
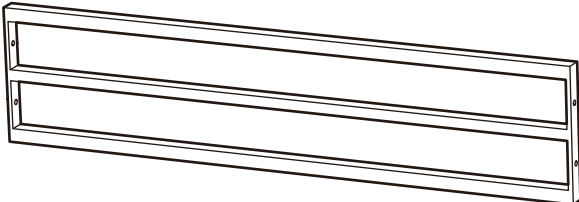

ORIGINAL INSTRUCTION MANUAL



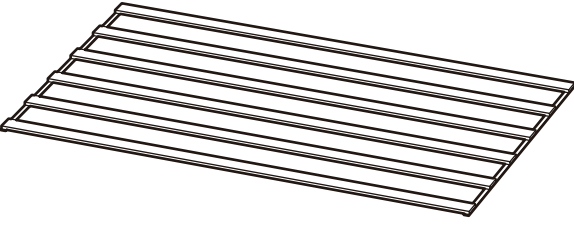
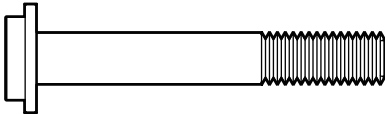
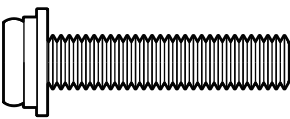
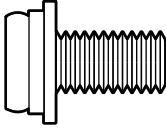



DEAR CUSTOMER,

Thank you for choosing our product. Please read this manual carefully before assembling or using the product, to avoid damage caused by improper use. If the product is passed on to third parties, this manual has to be passed on along with the product. For any question don't hesitate to contact us.

PARTS LIST

A  1×	B  1×	
C  1×	D  1×	
E  4×	F  2×	G  3×
H  2×	I  2×	
J  1×	K  2×	

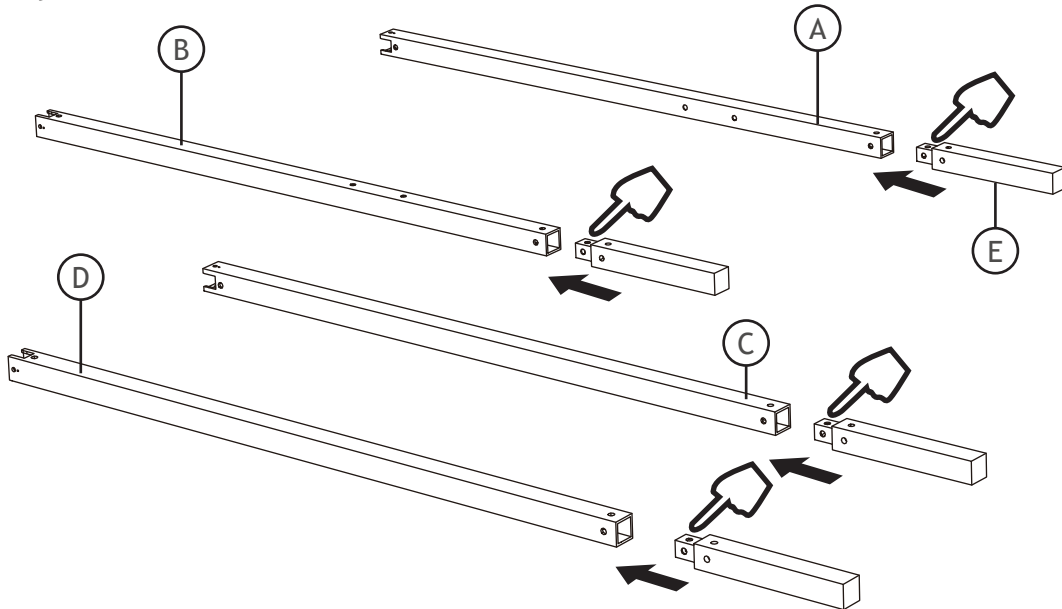
<p>L</p> <p>1×</p> 	<p>M</p> <p>2×</p> 	
<p>N</p> <p>2×</p> 	<p>P1</p> <p>4×</p>  <p>M8×55</p>	
<p>P2</p> <p>3×</p>  <p>M8×40</p>	<p>P3</p> <p>32×</p>  <p>M8×18</p>	<p>P4</p> <p>1×</p> 

Please do not completely tighten all the hardware, until the entire assembly is complete, unless otherwise indicated in the step-by-step instructions.

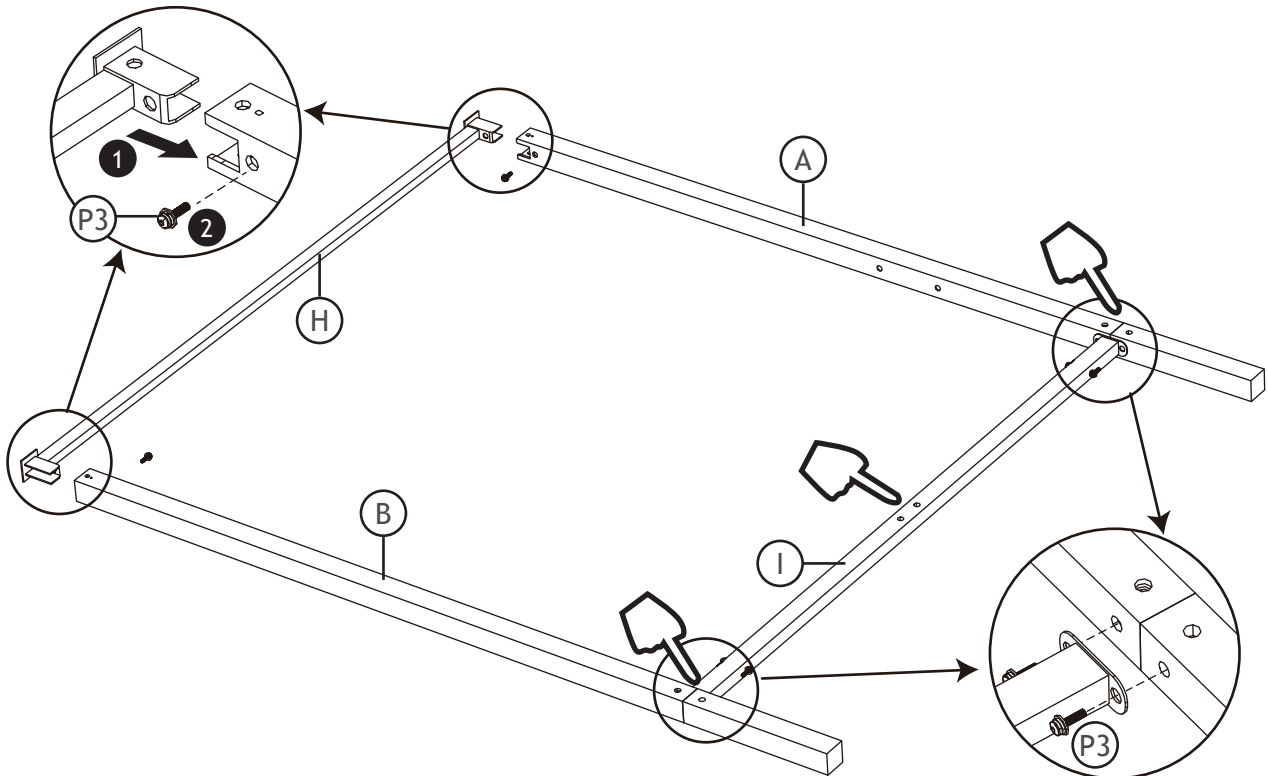
ASSEMBLY

Before your installation, please make sure that you have all the parts listed on the manual. If you find something missing, stop installing and contact your supplier immediately

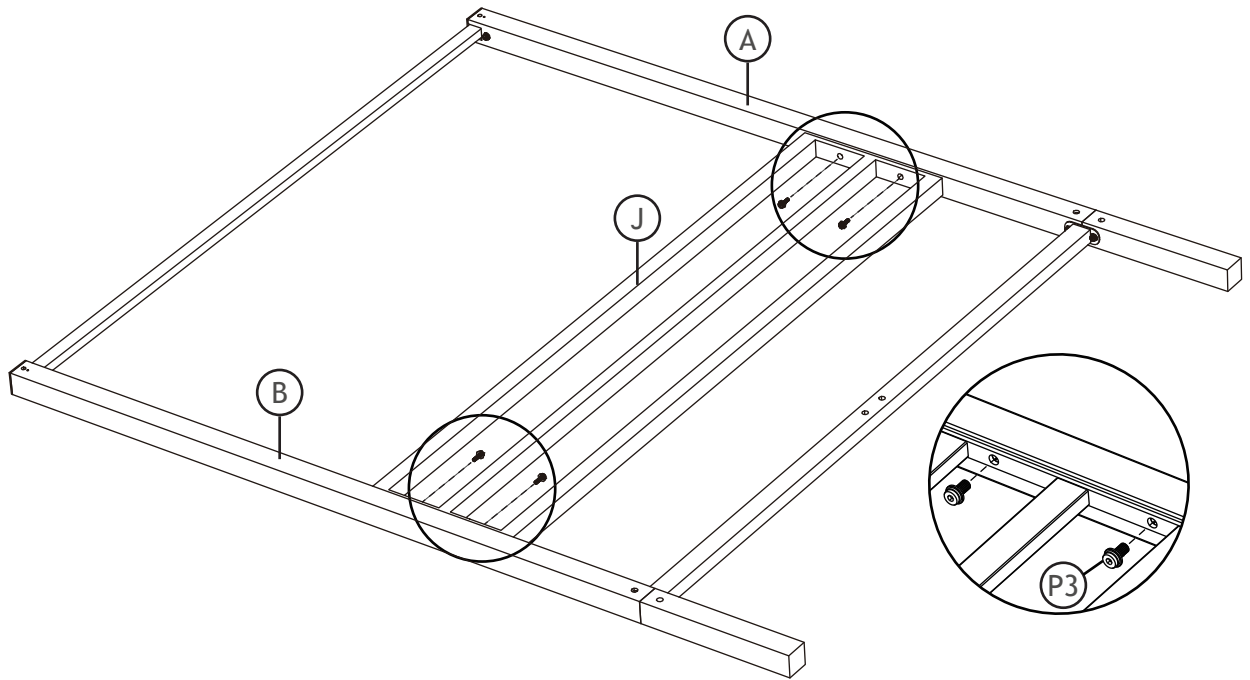
1 Pay attention to the orientation of the hole.



2 Pay attention to the orientation of the hole.

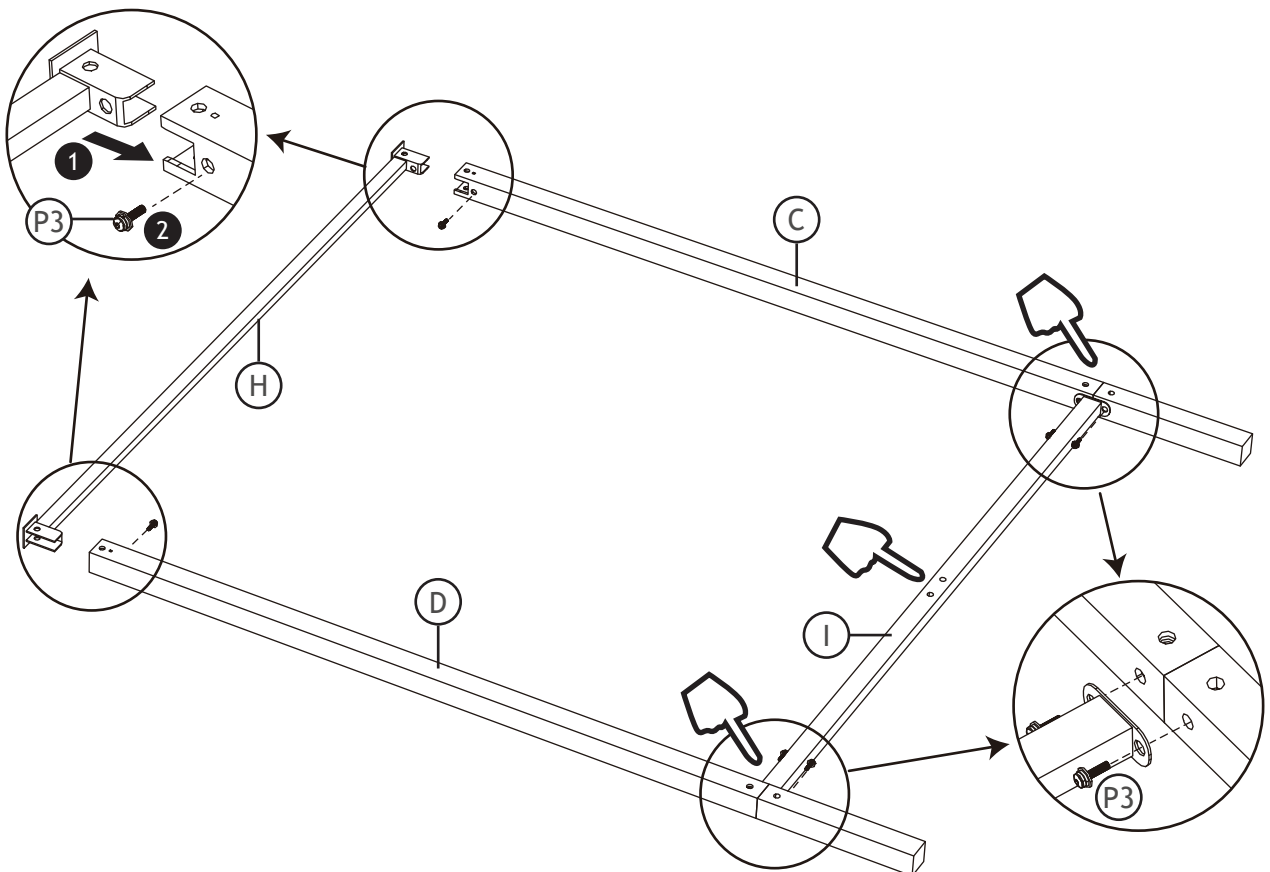


3

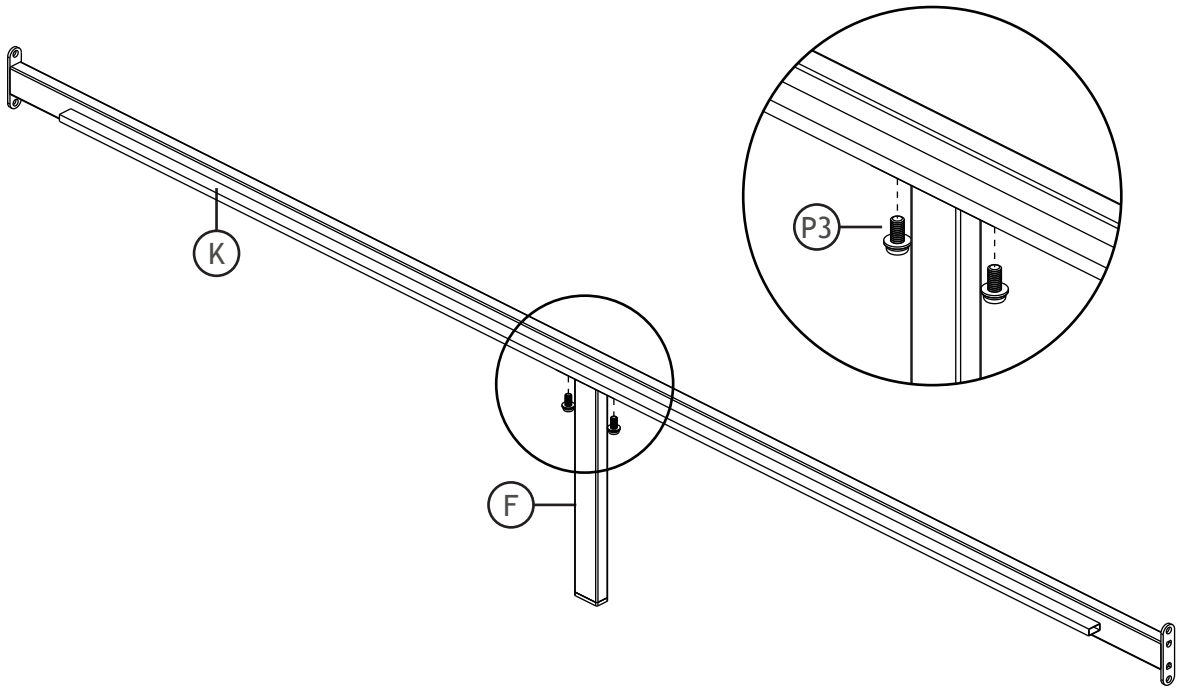


4

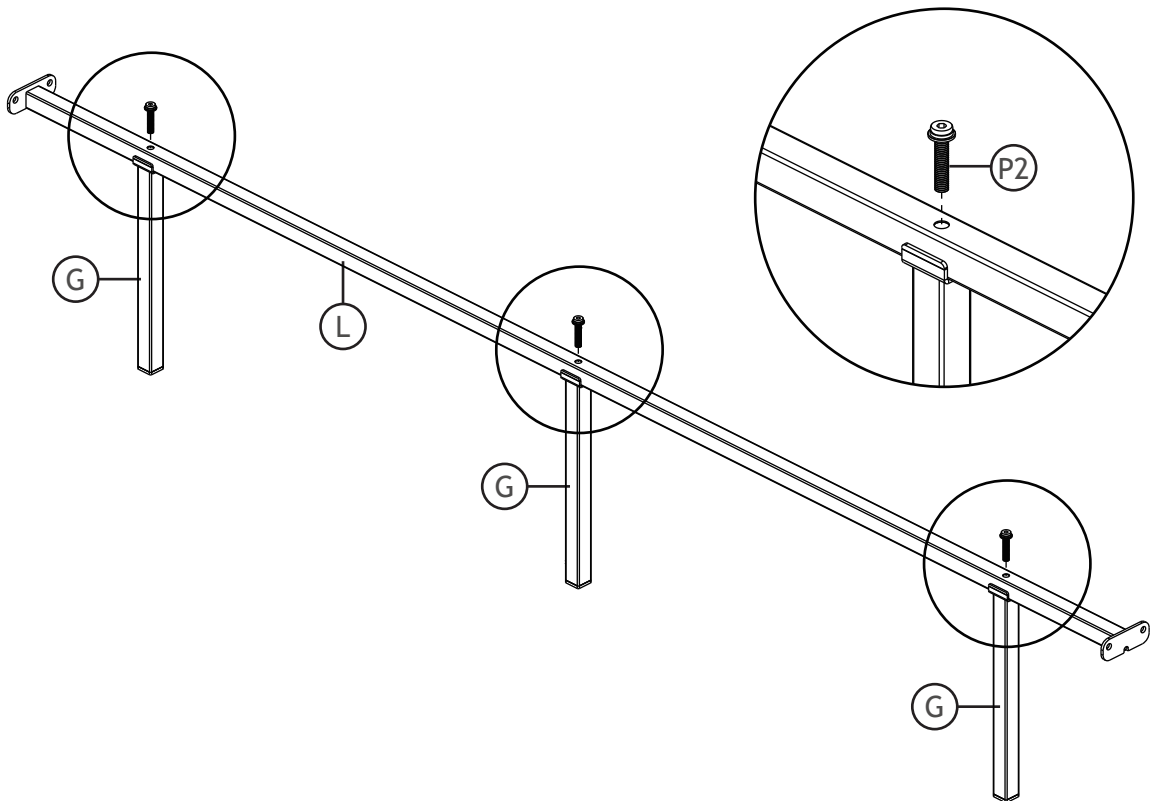
Pay attention to the orientation of the hole.



5

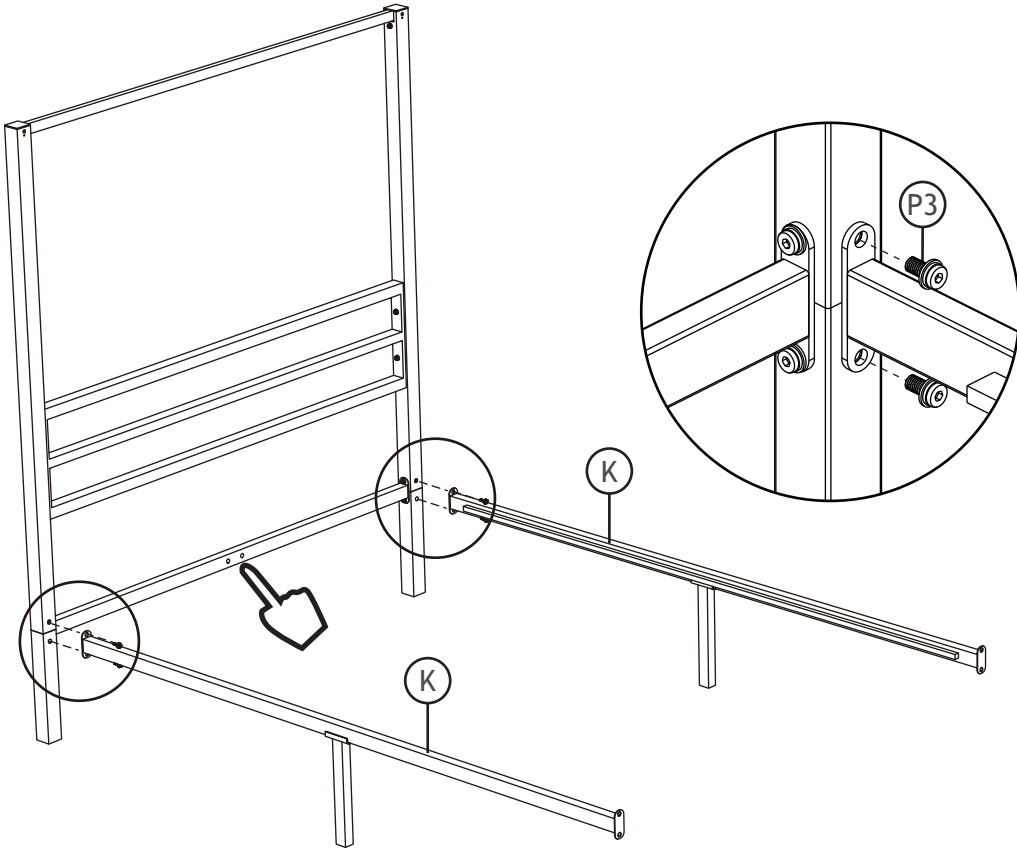


6

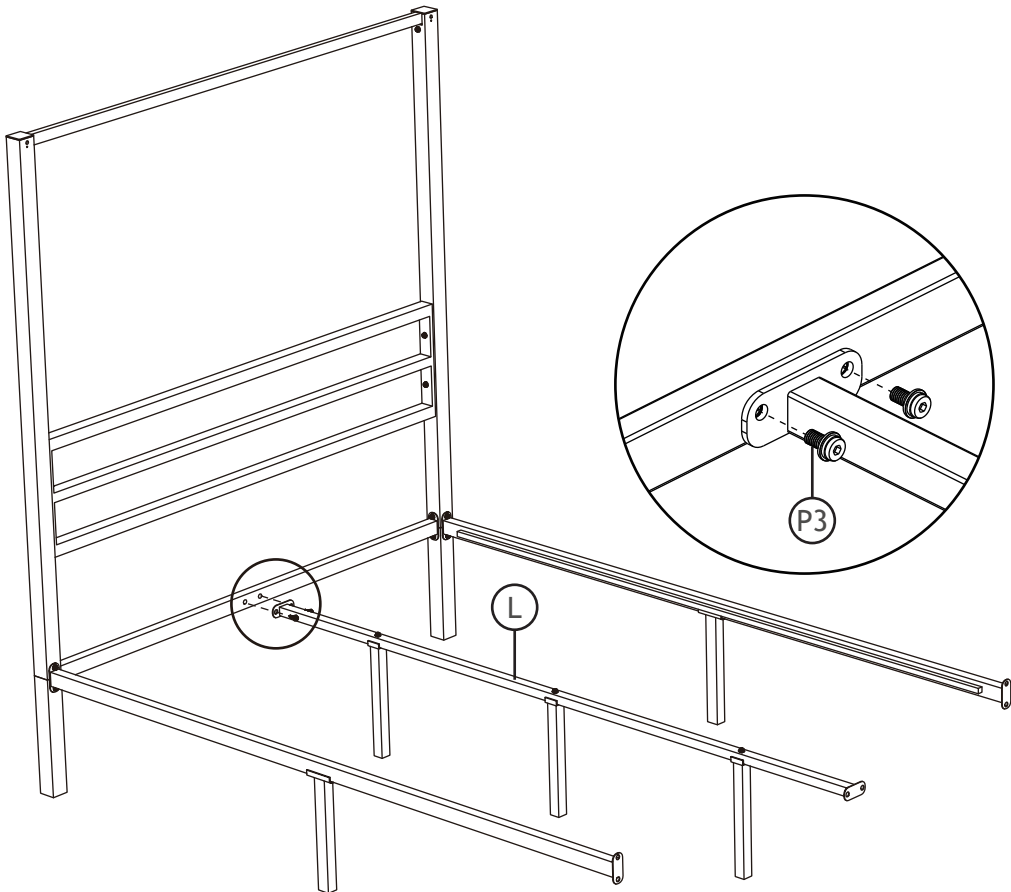


7

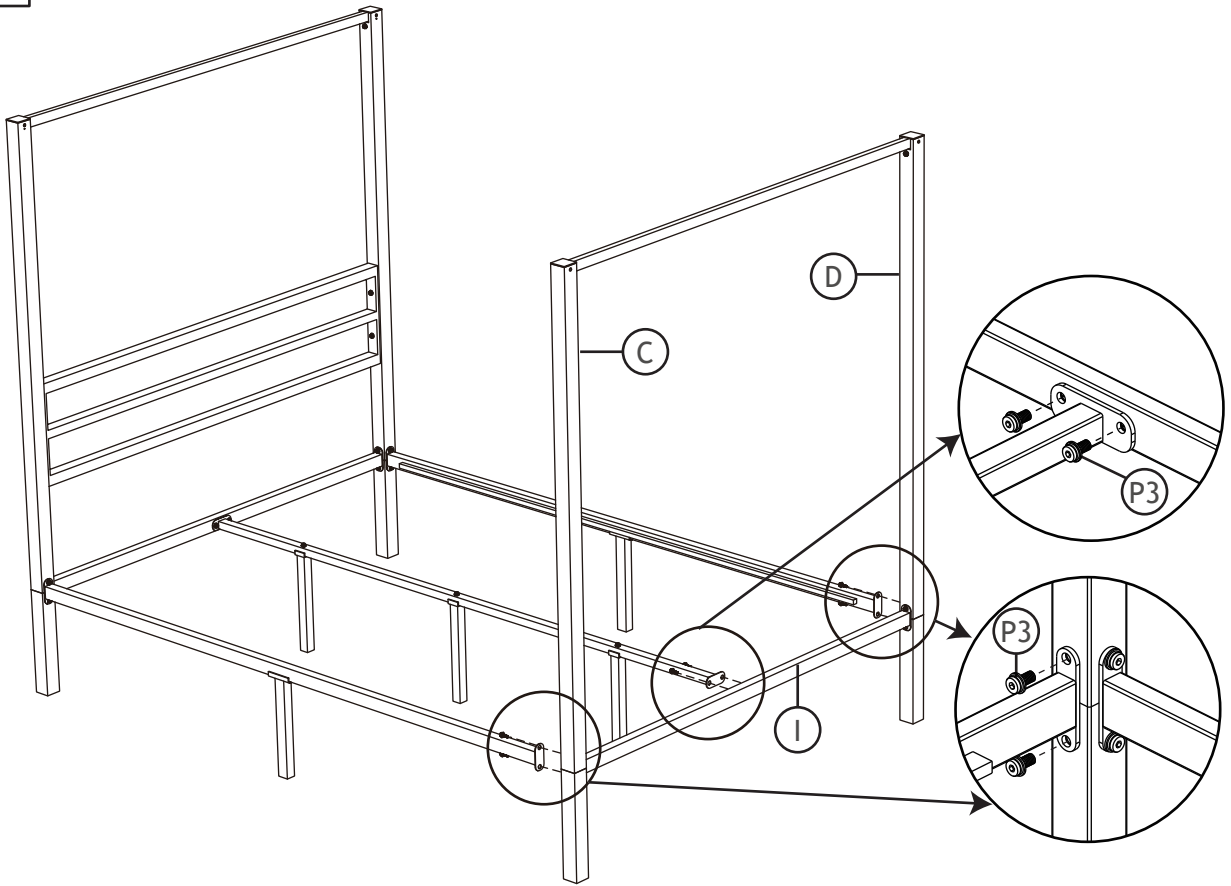
Pay attention to the orientation of the hole.



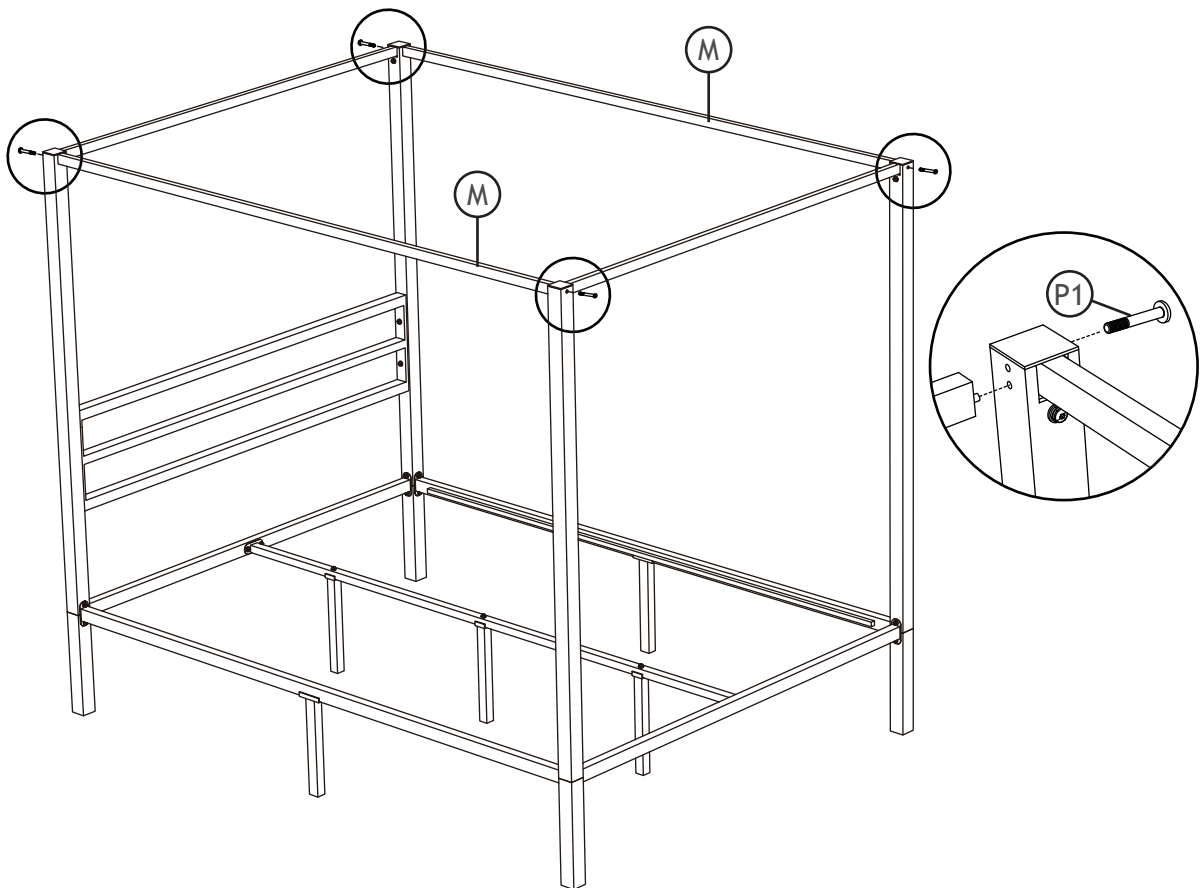
8



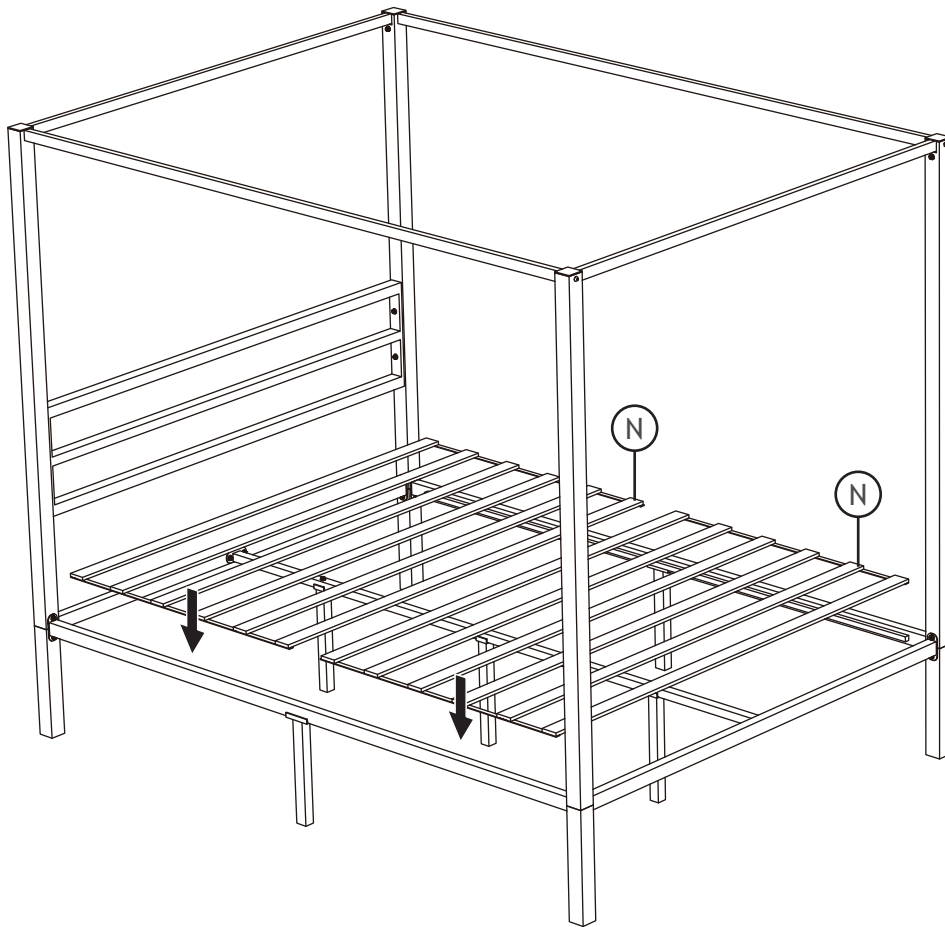
9



10



11



Xiamen Fitop healthtech co., Ltd
No.299 Jixian road, Tongan industrial park, Xiamen,China-361100
Made in china