




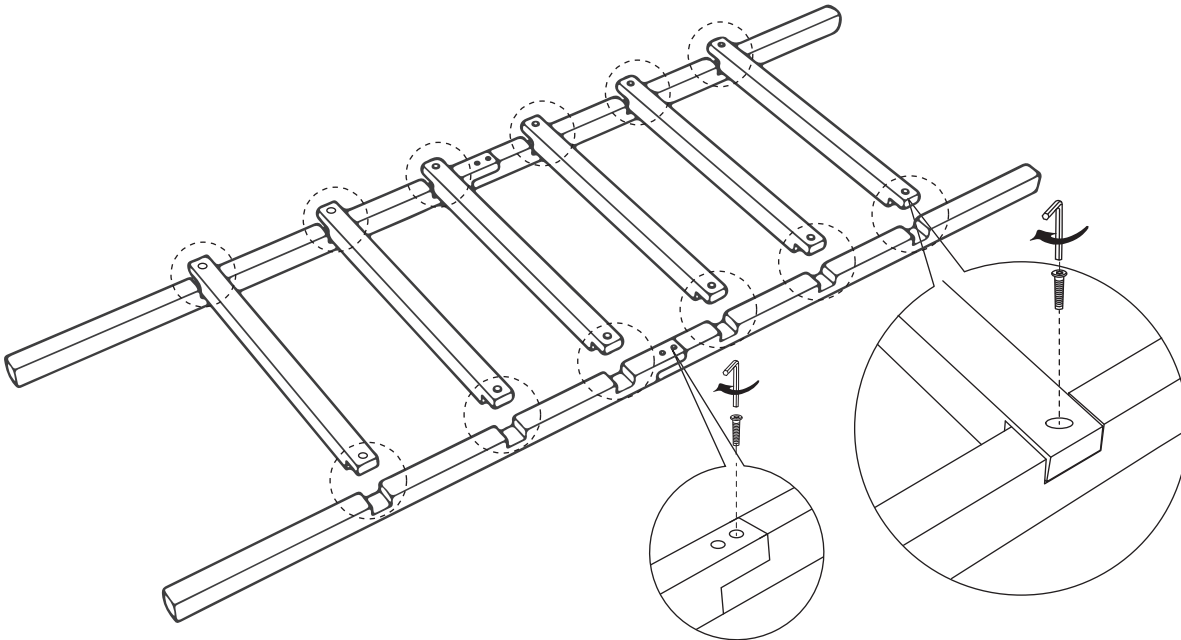
BLANKET LADDER

Assembly Instruction

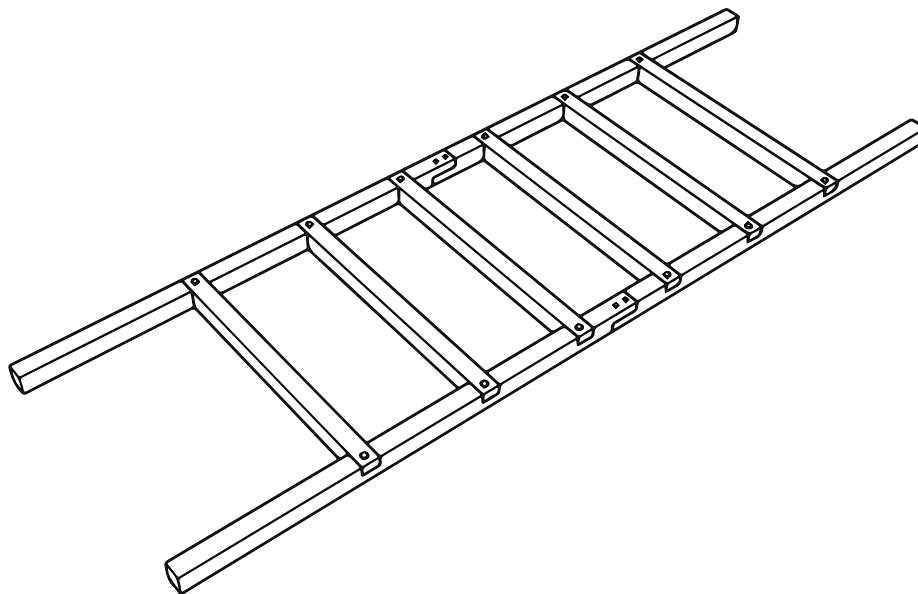


PARTS LIST				PARTS LIST		
NO.	DESCRIPTION		QTY	NO.	DESCRIPTION	QTY
A	leg		2	D	bolt	16
B	leg		2	E	allen key	1
C	shelf		6			

STEP1: PLACE SIDE RAIL ON THE GROUND. INSERT RUNG DOWELS INTO RAIL WHILE ALIGNING SCREW HOLES. INSERT SCREWS AND TIGHTEN USING SCREWDRIVER OR DRILL.



STEP2: IF THE PRE-DRILLED HOLES ON THE RUNG AND RAIL DO NOT LINE UP, SWAP THE RUNG, AND PLACE IT IN A DIFFERENT LOCATION ALONG THE LADDER RAIL. NOTE SOME RUNGS MAY NEED TO BE GENTLY MOVED TO FIT DOWEL INTO SIDE RAIL HOLE. INSERT SCREWS USING SCREWDRIVER OR DRILL.



Note: Rung dowels only assist with assembly. If a rung dowel breaks, it will not affect integrity or performance of the ladder so long as screws are inserted and tightened.

Warning: Blanket Ladder is to be used for decorative purposes only. Do not stand on or climb the Blanket Ladder.