

Portable Personal Steam Sauna Instruction Manual

FUNCTION AND EFFECT

This product is designed according to the therapy of steam, which takes advantage of the steam around 45 °C in bathtub to moisten your skin, expand capillary vessel, improve blood circulation, decrease blood consistency accelerate metabolism and eliminate extra fat and toxins, from your body. It helps relax your skin, stiff muscle or other organic tissue effectively!



▶ SAUNA INTRODUCTION

Portable steam sauna equipment is a kind of healthy product which is easy to assemble and operate. It combines the function of Chinese traditional Herbs "hot steam therapy" with Finnish steam sauna.

People can benefit a lot by using steam sauna. Some of the benefits include relief from joint pain and muscle soreness, improved circulation, reduced inflammation, and relief from allergies and asthma. It also serves as a beauty aid with benefits such as weight loss due to detoxification, beautiful skin and cellulite reduction.

With separated steam generator and bathtub, our product provides more safety for users. While using, one can add Chinese herbs, plant oil, which bring you not only health but also beauty.

▶ ATTENTION

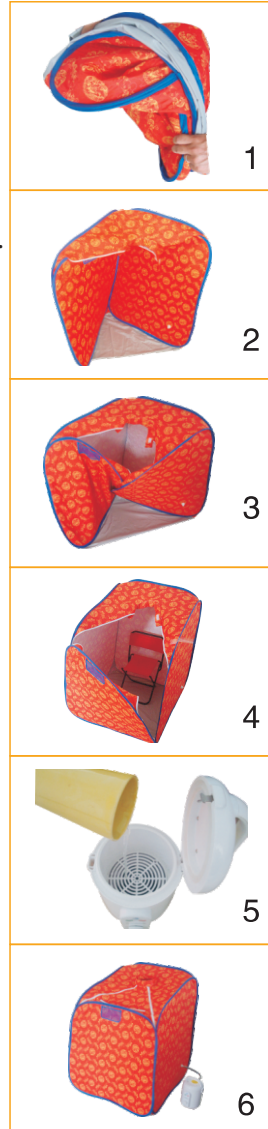
1. Please don't take it as medical instrument.
2. Please use it under doctor's instruction or consult a doctor if one has any diseases.
3. Please stop using it immediately if you feel uncomfortable.
4. Children and people in poor health should use it under supervision.
5. It is not fit for those who get a high fever and pregnant woman or people with hypertension, heart disease, ulcer, irritability, nervous system imbalance.
6. Please don't add any substances which is easily burn, poison, harmful, corrode and expand to the steamer for avoiding the body hurt and machine damage.
7. The steam generator designed for sauna bath only, please don't take it as other functions. It is not allowed to refit it by oneself.
8. Please don't put animal or plant into the bathtub when using.

9. Please put the bathtub and the steam generator horizontally while using. Please don't open the steam generator cover or pull out the steam pipe until 10mins later after the steam generator stop working.
10. Please don't use the sauna in bathroom or damp place in case of getting an electric shock or affecting machine's life span.
11. Please don't use it in any unbalanced place or near the inflammable.
12. Please drink a cup of warm water about 200~300ml before using. It's better to have a bath after using but do not exceed 20 minutes for first use.
13. Please switch off the steam generator when there is no water in it. Add proper water for continual use.
14. Please pull out the plug after using and clean it after cooling. Do not wash the shell directly with wet cloth.
15. Please clean the heating plate in time to protect sauna's heating function and lengthen its life span.
16. Please daub milk on body directly but not pour it in steam generator if one wants to enjoy milk sauna. If adding Chinese herbs or other materials please packet it in gauze and then put it in the medicine shelf.
17. Water in steam generator should not beyond the water line; 2cm under if Chinese herbs or other materials added.
18. Please keep your body away with the steam exit about 15cm to prevent being scalded. Please don't touch the steam exit when the machine is working.

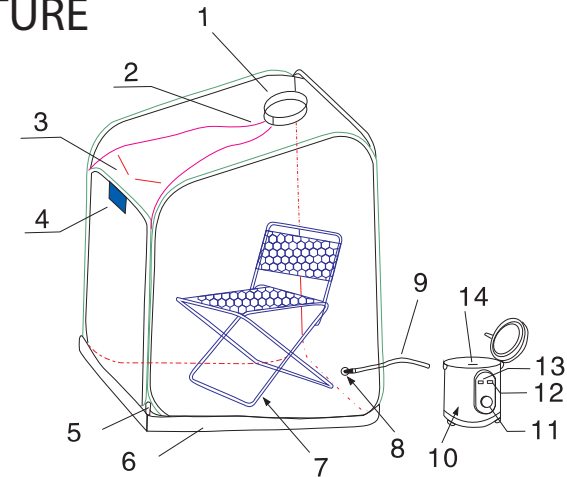


▶ OPERATION

1. Please open the carton and take out the bathtub with all other parts. (picture 1)
2. Please unfold the bathtub and clutch it tightly. (picture 2)
3. Please place the waterproof pad on the smooth board and bind to the bathtub bottom carefully. (Picture 3)
4. Please open the zip of bathtub and put a chair in it.(Picture 4)
5. Please open the steamer and add proper water in it. The water should not beyond the water line. Then connect the steamer and the bathtub with steam hose.(Picture 5)
6. Please insert the plug to the power supply and turn on the steamer. Set the time via timer. You may enjoy the sauna within 5 minutes. (picture 6)
7. Please open the zip to lower the inner temperature when you feel a little hot.
8. You may reach your hands out from the front zip for reading, watching, and calling.
9. Please switch off the power and clean the steamer by make it dry after using.
10. Please dry bathtub with towel and put it at a ventilated place before folding.
11. The steamer can be used as a humidifier.



▶ STRUCTURE



- | | | |
|----------------------|------------------------|-------------------|
| 1) Neckline | 6) Waterproof Pad | 11) Timer |
| 2) Main Zip | 7) Chair(not included) | 12) Working Light |
| 3) Zip for Hands | 8) Steam Inlet | 13)Power Light |
| 4)Front Pocket | 9) Steam Hose | 14) Water Line |
| 5) Sticky Magic Band | 10) Steam Generator | |

▶ PRINCIPLE AND SPECIFICATIONS

Components:

- | | | |
|---------------------------|------------------------|--------------------|
| 1) Tub Tent (1pc) | 2) Steam Generator | 3) Steam Hose(1pc) |
| 4)Instruction Manual(1pc) | 5) Waterproof Pad(1pc) | |

▶ CLEANING&STORING

Please cut off the power before cleaning in case of scald.

1. BATHTUB

- 1) Please pour out the condensation water inside the bathtub and clean it with dry cloth after using.
- 2) Please open zip to dry the inside space by putting the bathtub in the ventilated place.
- 3) Please clean the surface of the bathtub with neutral cleanser.

2. STEAM GENERATOR

- 1) Please pour water on the bathtub and then wipe it with dry cloth after using.
- 2) Please clean the heating plate by erasing Chinese herbs.
- 3) Please clean the surface of steam generator with wet cloth.

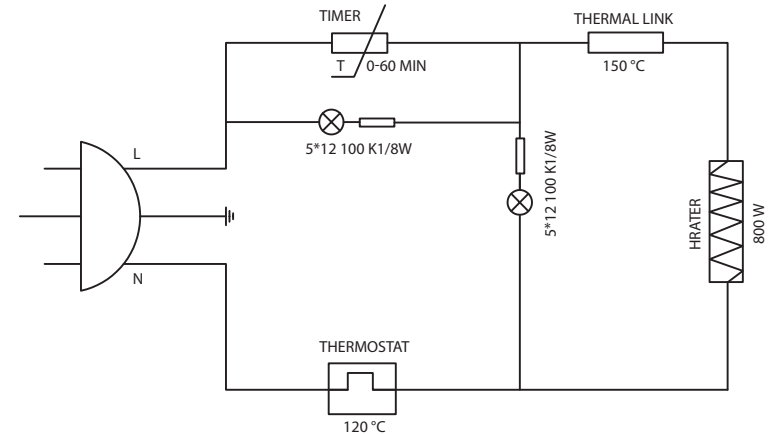
PROPORTION FOR SUPPLEMENTS

- Please follow the below table when add supplements.

| KINDS | WATER QTY | SUPPLEMENT QTY | What will happened for excessive supplements? |
|------------------------------------|----------------------|----------------------|--|
| Herb bag, Medicine Bag | 2cm under water line | No more than 5g | •Main engine interior and bottom has dirt which effect machine's function and safety |
| Bath Lotion, Spa Lotion | 2cm under water line | No more than 3g | |
| Aroma Oil; Bath Oil; Perfume & etc | 2cm under water line | Less than 1g | •Overflow air bubble or liquid which make one scalded or effect the machine's function |
| Lemon, Grape & etc | 2cm under water line | About 3~5pcs | •So strong flavor |
| Others | 2cm under water line | Appropriate quantity | |

- Please do not add salt, bath-salt or milk directly while using.
- Please do not add in alcohol, volatile or toxic liquid in case of danger.
- Please do not add medicinal materials or medicine powder directly, packed with gauze first and then added.

CIRCUIT DIAGRAM OF STEAM GENERATOR



"Remark: the plug connection for power line should be Y type connection " Type Y attachment -Damaged supply cords to be replaced by the manufacturer, service agent or similarly qualified person to avoid hazard.

RATED FREQUENCY : 50 / 60Hz

RATED POWER : 800W

STORAGE METHOD

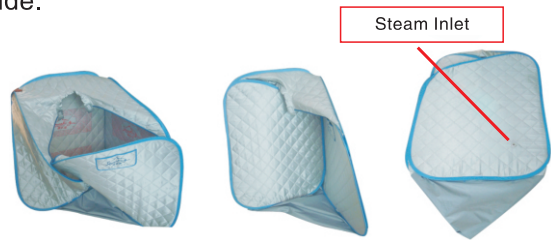
Warning: To avoid any mildew or rod, please dry the tent before packing.

Storage Method 1:

- 1) Please remove the water proof mat from the bottom of the tub tent and fold it separately before folding.



2) Push left bottom corner to diagonal corner (that is right corner inside the back panel) and the tent will be folded and like a thin clip, make the front panel to be neat with left right panel, left panel to be near to the back panel, if you fold it correct, the steam inlet should be in one outside.

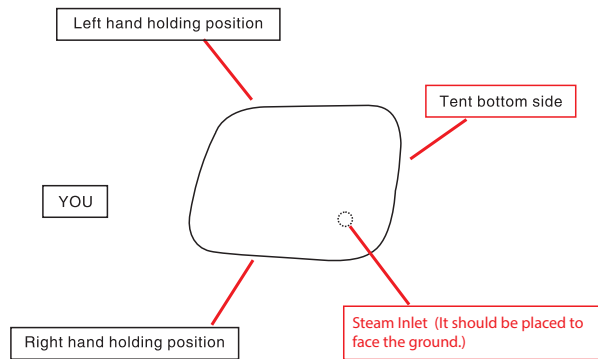


3) Fold the top and bottom part to be inside the tent clip and now the tent can be easily put in small and narrow free space.



Storage Method 2:

4) Place the tent clip with the top towards you and the side with steam inlet facing to the ground.



7

5) Use left hand to hold the left side at about 1/3 place of the tent clip left line and right hand to hold the right side at about 1/3 place of the tent slip right line. Then right hand pulls, left hand pushes to twist the tent like an "8", and there will be a small "circle" and a big "circle".



6) Now use left hand to hold the twisted tent at the cross point, use right hand to turn the corner of the big "circle" over and along its lines with the small 'circle', hold it and another "circle" will be naturally bent to the folded circles, then put them together and hold the circles. Please note that the steam inlet should be outside.



7) Please hold the folded tent and put it into the tent bag.



8

 TROUBLESHOOTING

| S/N | Problem | Possible Reason | Solution |
|-----|--------------------------|---|---|
| 1 | Power LED is off | a)LED damaged | Replace LED or PCB with LED |
| | | b)connection wire to LED is loose | Reconnect the wire |
| | | c)heat elements damaged | Replace heat elements |
| | | d)fuse broken | Replace the fuse |
| 2 | WORK LED is off | a)LEDdamaged | Replace LED or PCB with LED |
| | | b)connection wire to LED is loose | Reconnect the wire |
| | | c)fuse broken | Replace the fuse |
| | | d)Timer is not set on or Timer is damaged | Set on the Timer/Replace the Timer if it is damaged |
| 3 | Heat elements don't work | a)Heat elements damaged | Replace heat elements |
| | | b)fuse broken | Replace the fuse |
| | | c)Timer is not set on | Set on the Timer |
| 4 | No enough steam out | a)Temperature controller damaged | Replace Temperature controller |
| | | b)Too much dirt on the surface of heat elements | Clean the heat elements surface |
| 5 | Timer is not in time | Timer damaged | Replace Timer |
| 6 | Tent is out of shape | Steal wire is out of shape | 1. Check the wire and make it go in one direction and no twisting place. 2. Open the zip in the bottom and get out the wire end from the connection, make the wire into shape then put the wire end into the connection. |

NOTE:

To continuously improve its products, VIVOHOME reserves the right to modify this information without prior notification.
For any questions during assembly, please watch the video in the product page for reference. Or contact customer service via support@vivohome.com with any questions, comments, or concerns. Thank you for using VIVOHOME products in your home!

Thank You For Purchasing From
VIVOHOME
MADE IN CHINA