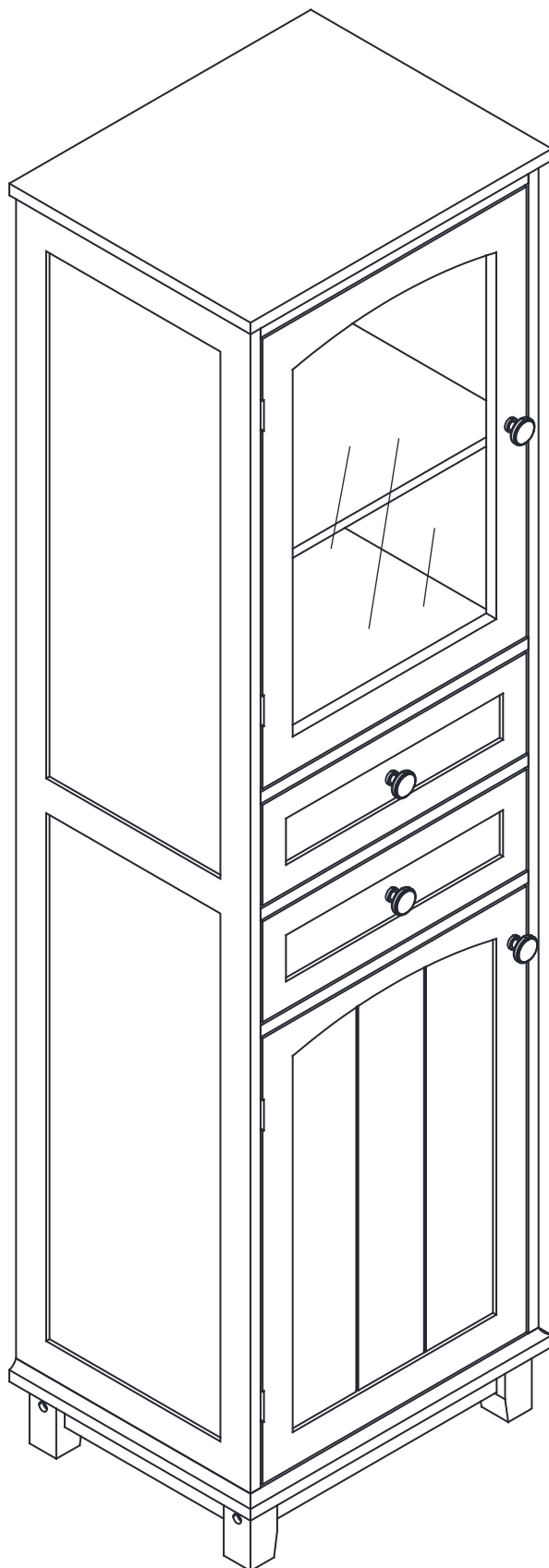
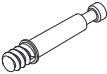

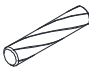
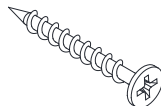


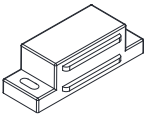


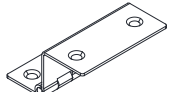

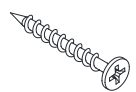



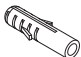

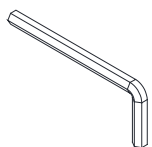
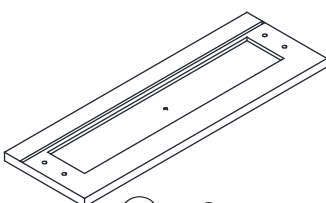
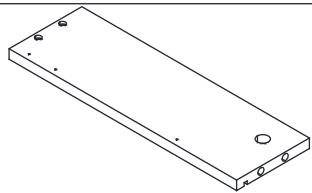
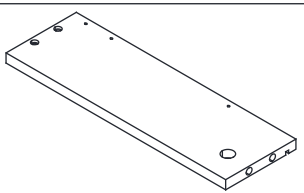
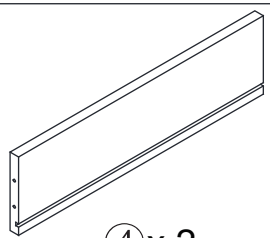
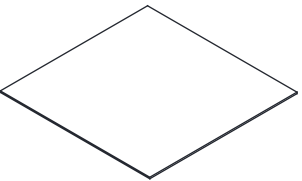
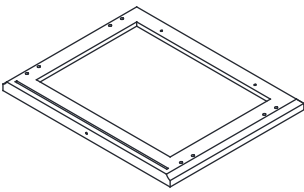
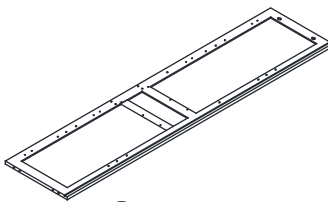
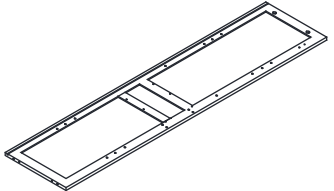
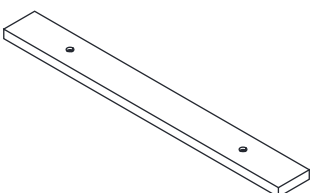
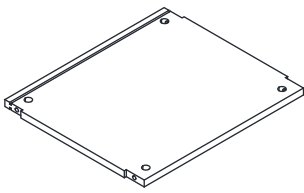
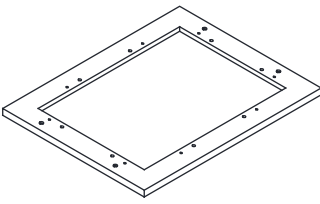
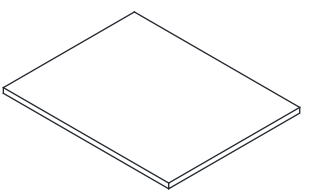
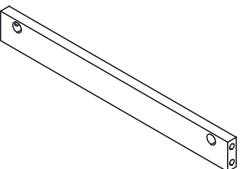
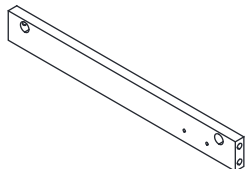
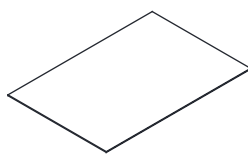
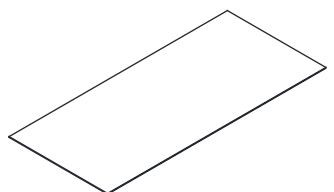
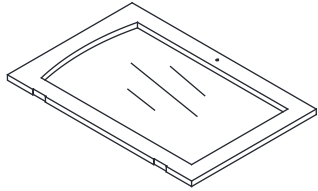
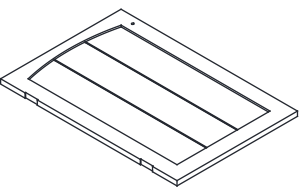
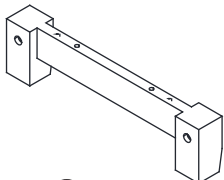
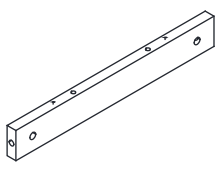
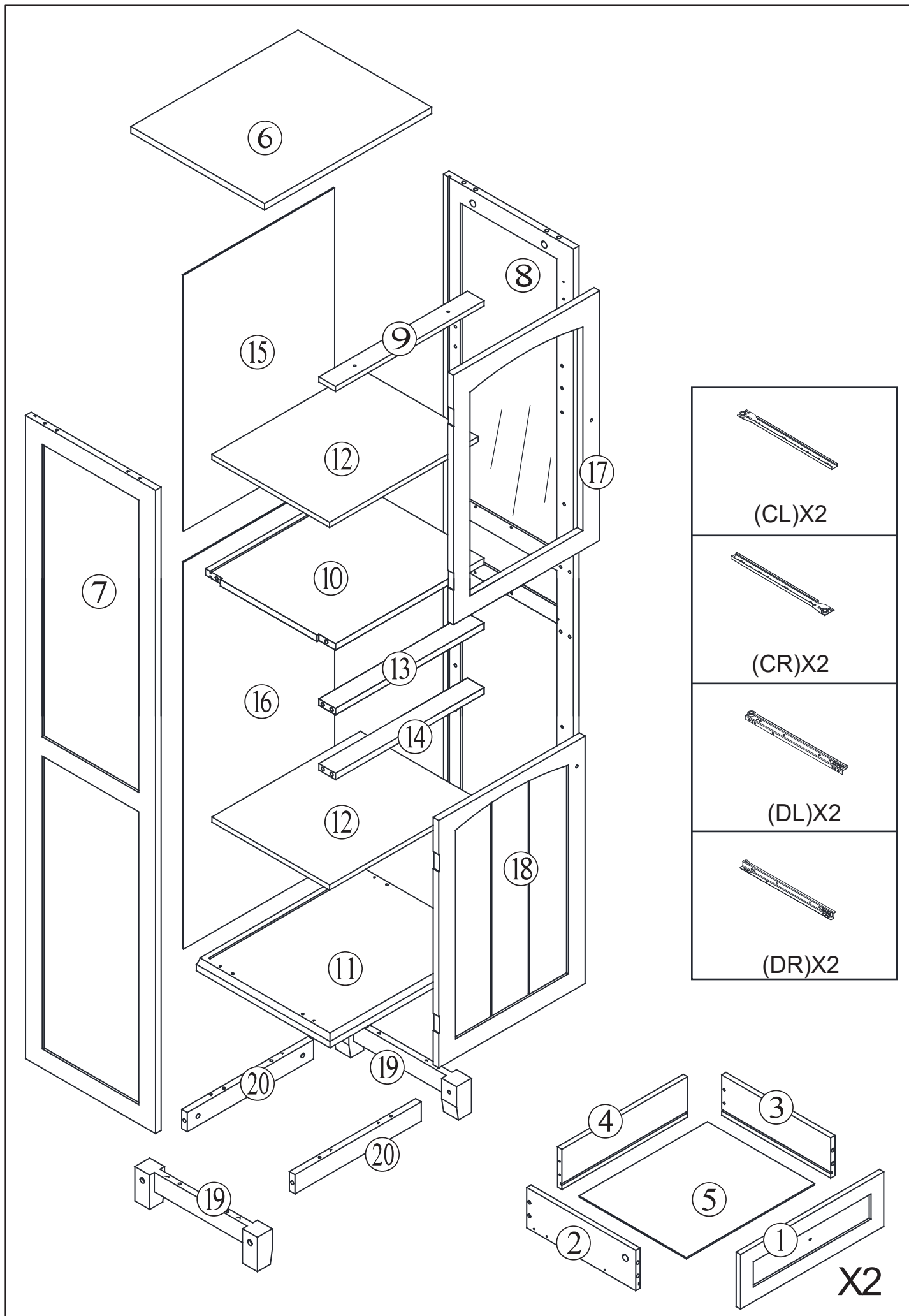


ASSEMBLY INSTRUCTION

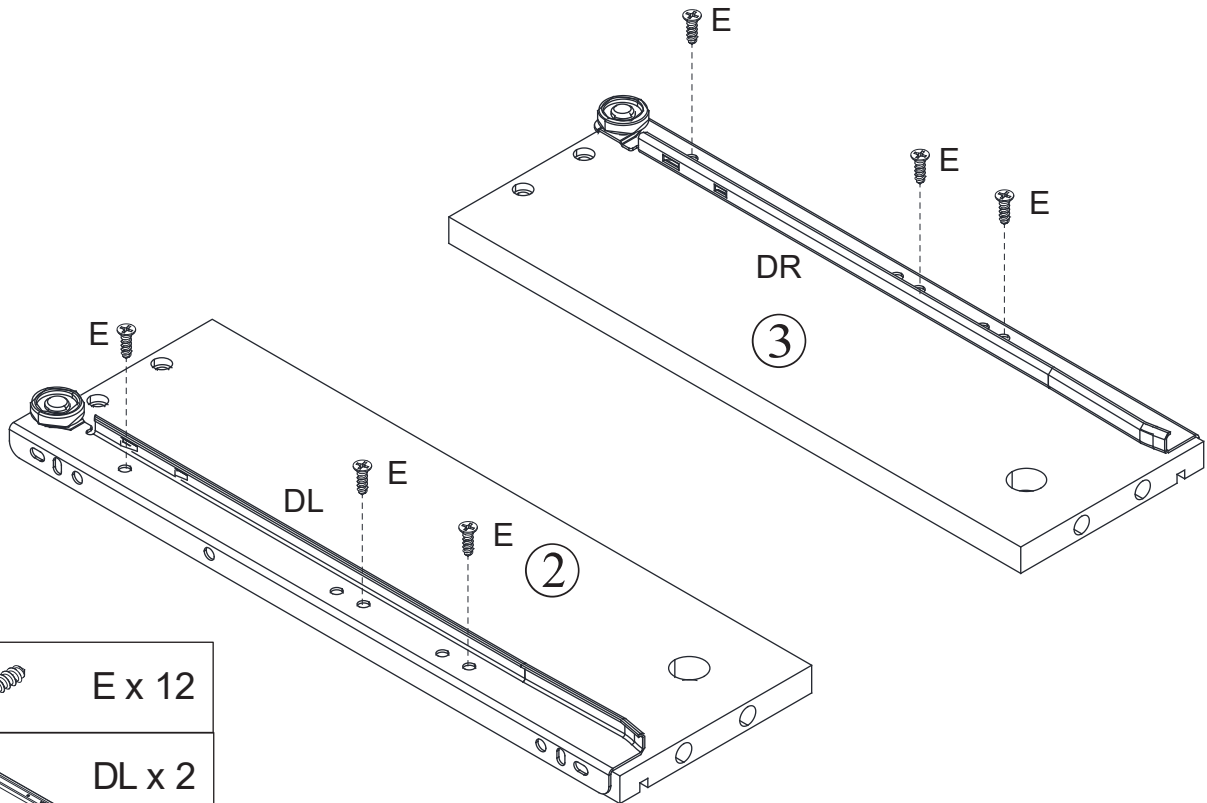



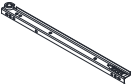
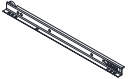
 A x 16	 B x 16	 C x 24	 Ø 4*40 D x 13	 Ø 3*12 E x 42	 F x 2
 G x 2	 H x 4	 Ø 3*14 I x 14	 J x 4	 K x 1	 Ø 4*30 L x 10
 M x 8	 N x 4	 O x 10	 P x 1	 Q x 1	 R x 1

 ① x 2	 ② x 2	 ③ x 2	 ④ x 2
 ⑤ x 2	 ⑥ x 1	 ⑦ x 1	 ⑧ x 1
 ⑨ x 1	 ⑩ x 1	 ⑪ x 1	 ⑫ x 2
 ⑬ x 1	 ⑭ x 1	 ⑮ x 1	 ⑯ x 1
 ⑰ x 1	 ⑱ x 1	 ⑲ x 2	 ⑳ x 2



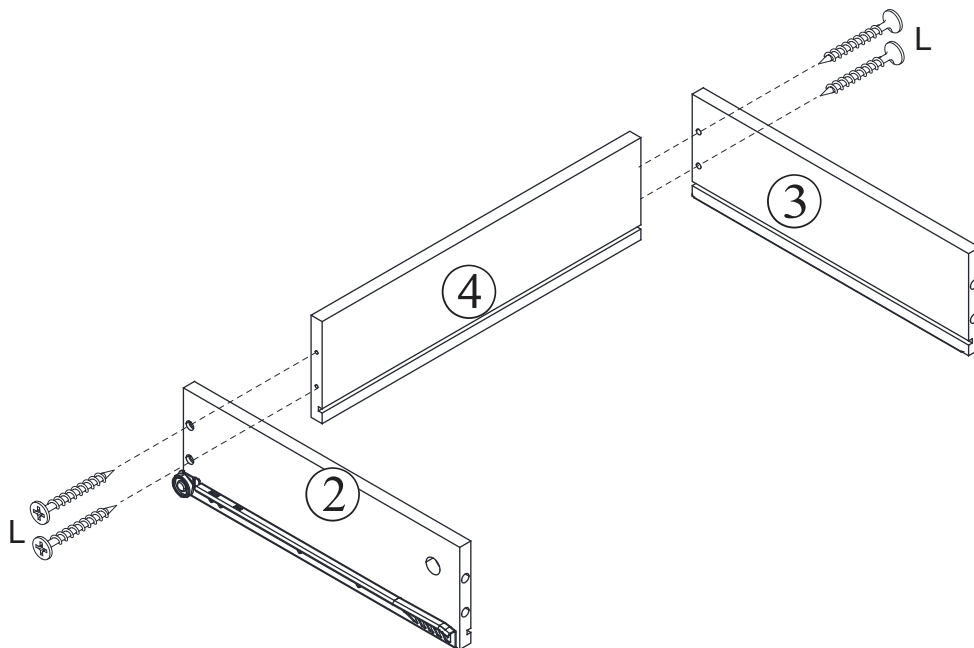
step 1



	E x 12
	DL x 2
	DR x 2

X2

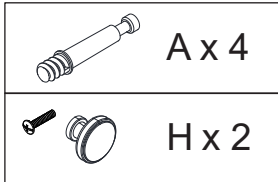
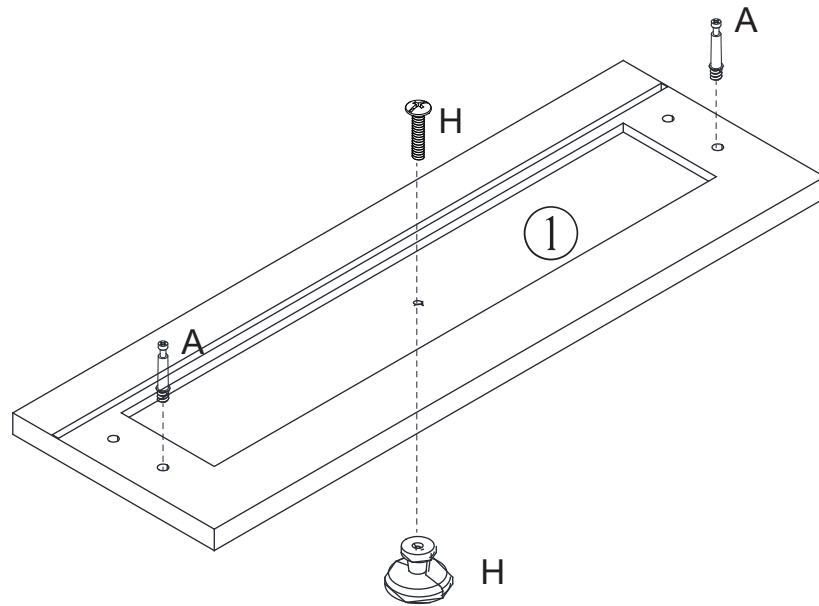
step 2



	L x 8
---	-------

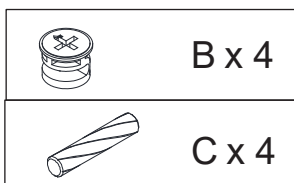
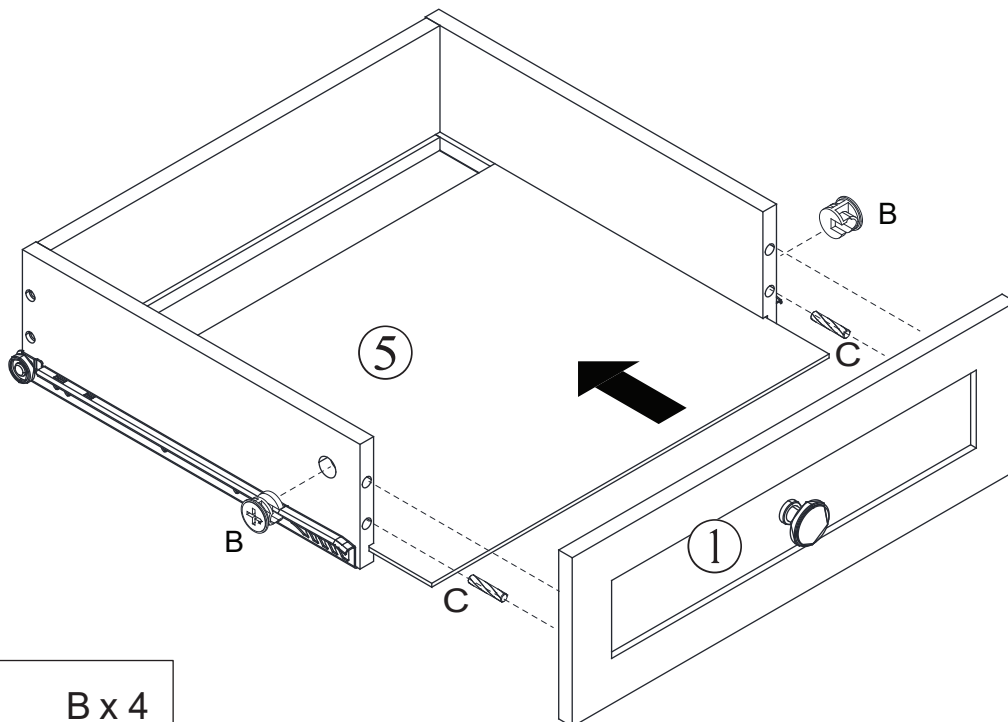
X2

step 3



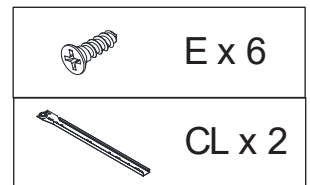
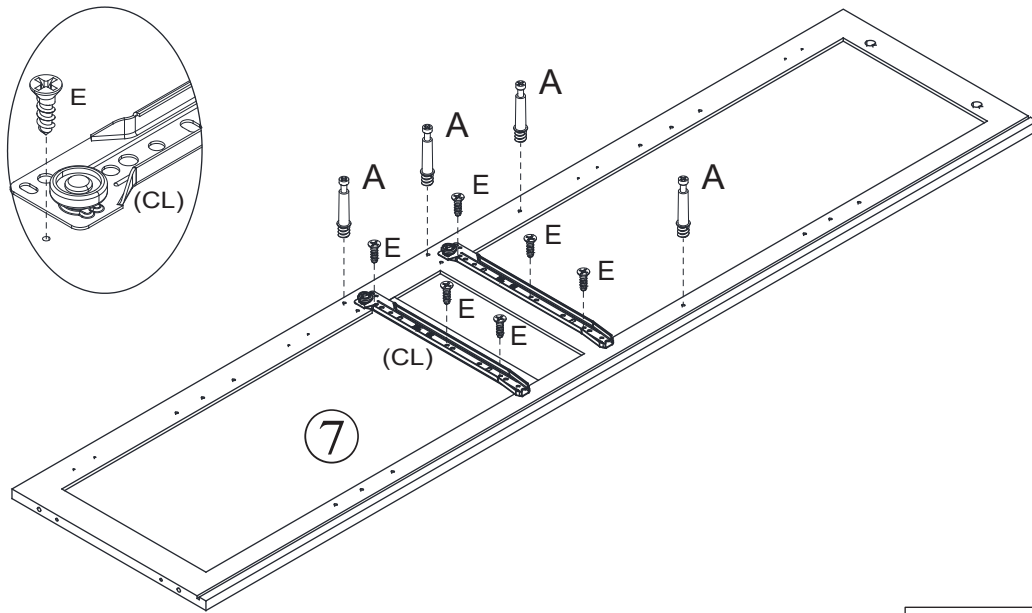
X2

step 4

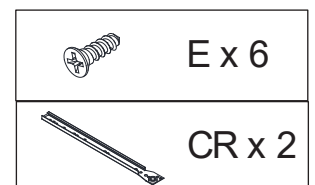
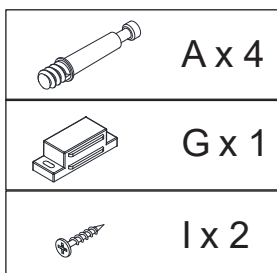
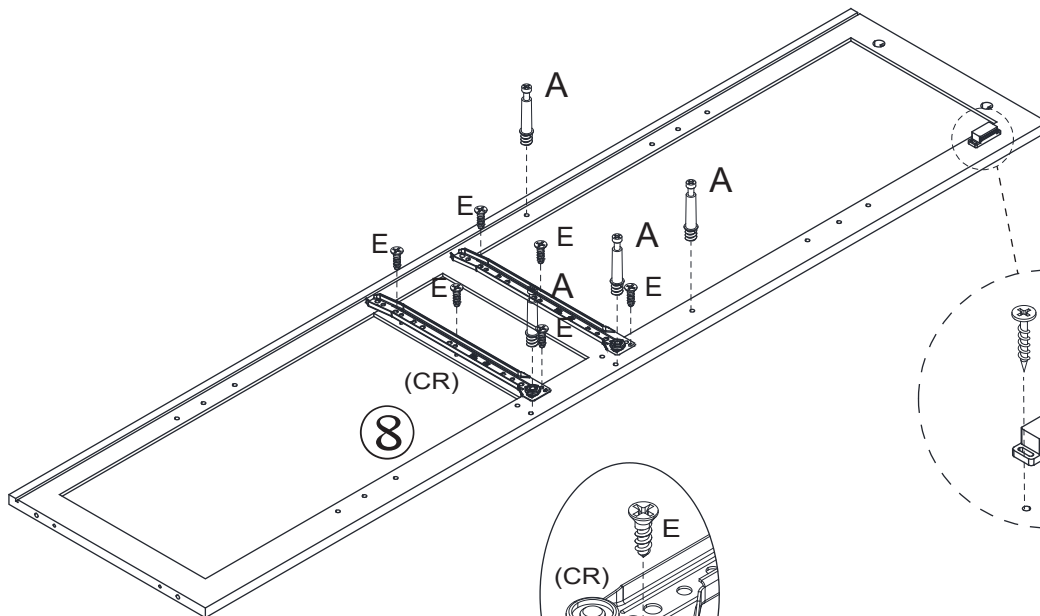


X2

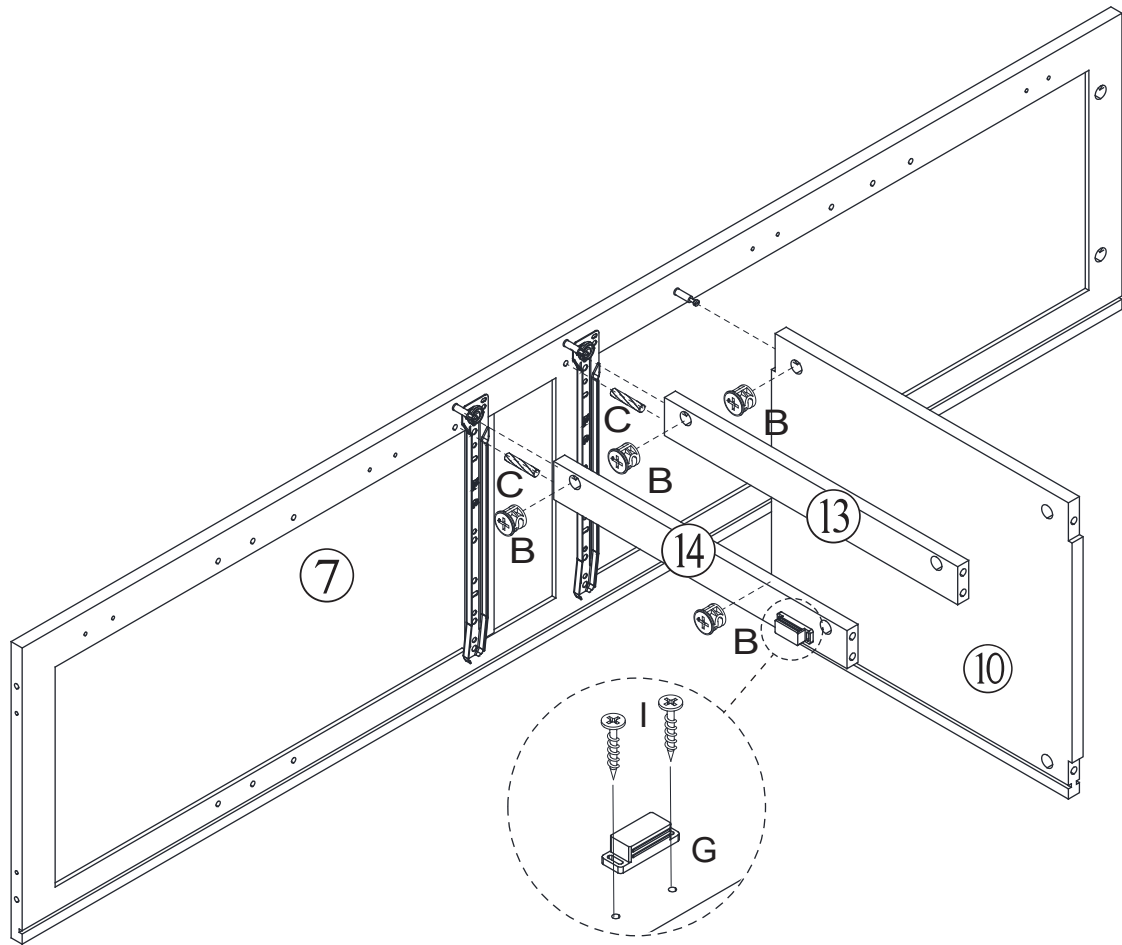
step 5


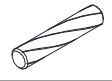
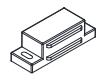



step 6

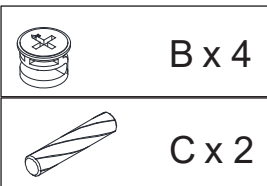
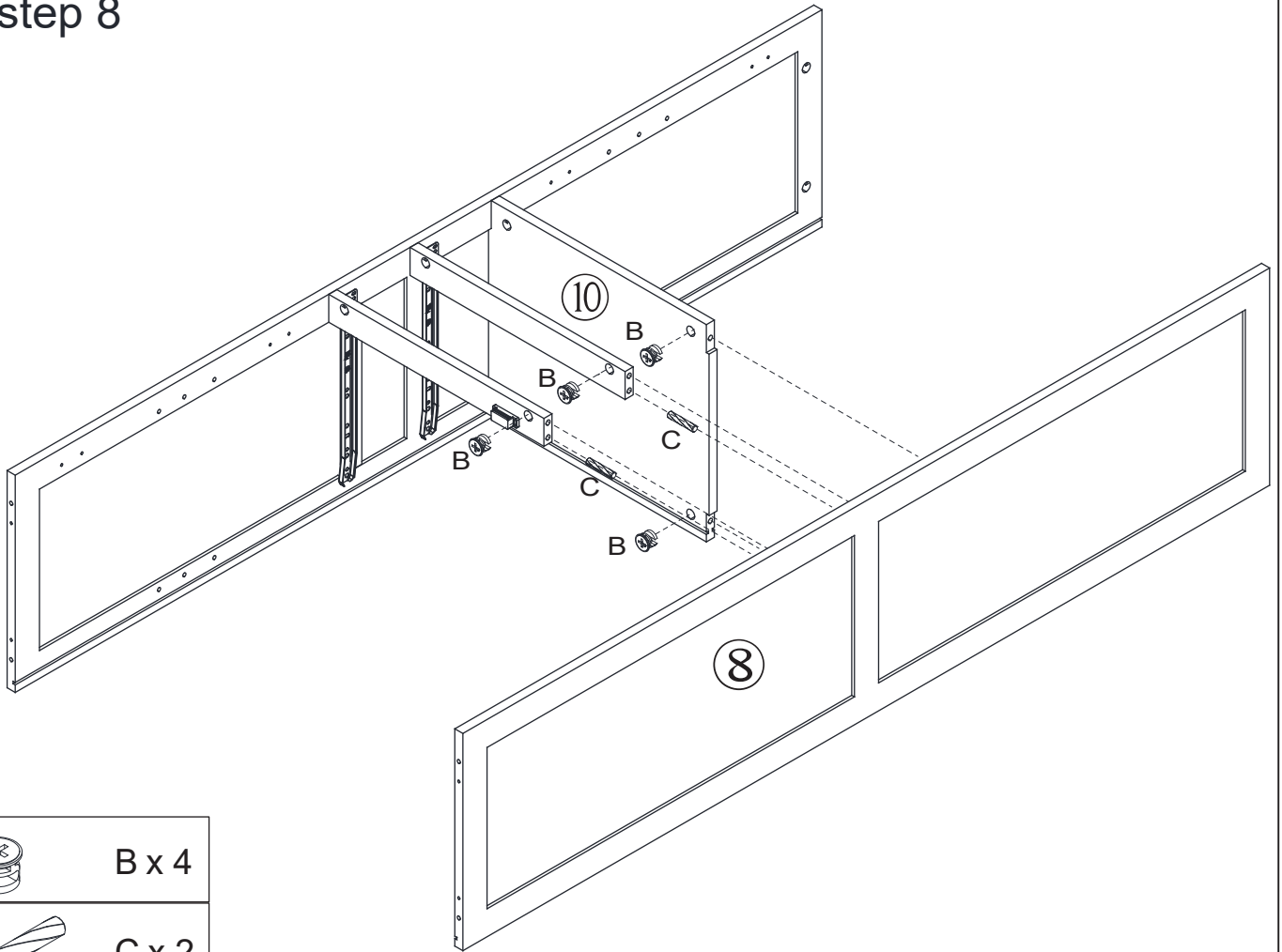


step 7

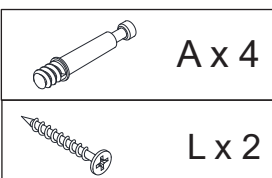
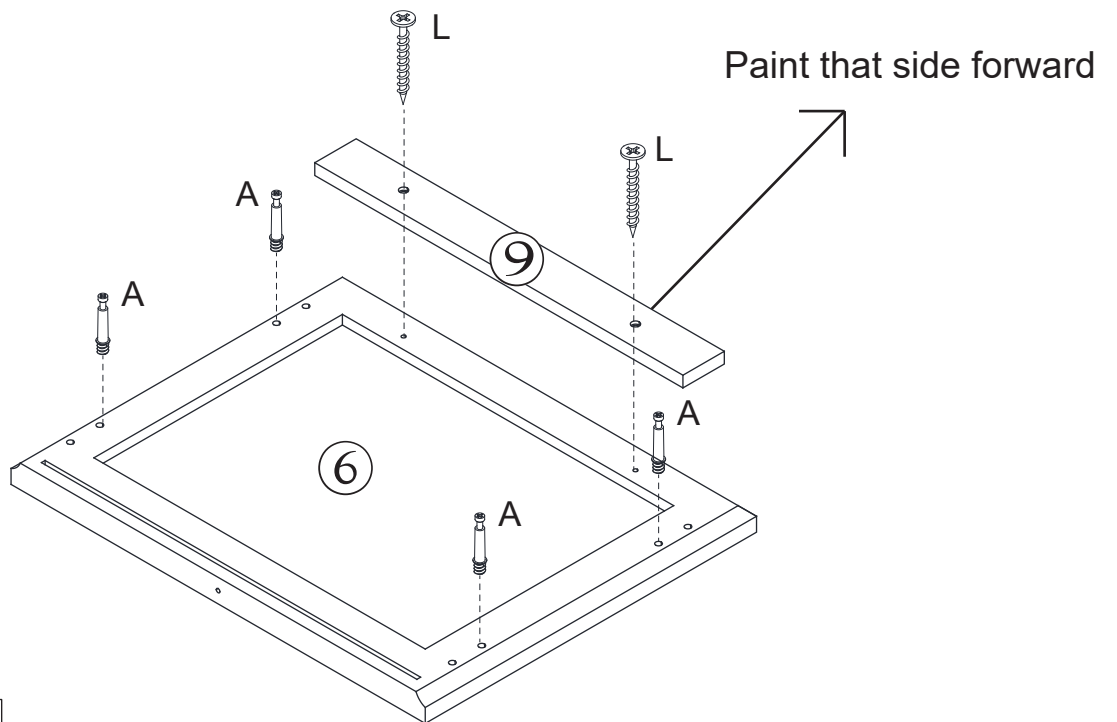


	B x 4
	C x 2
	G x 1
	I x 2

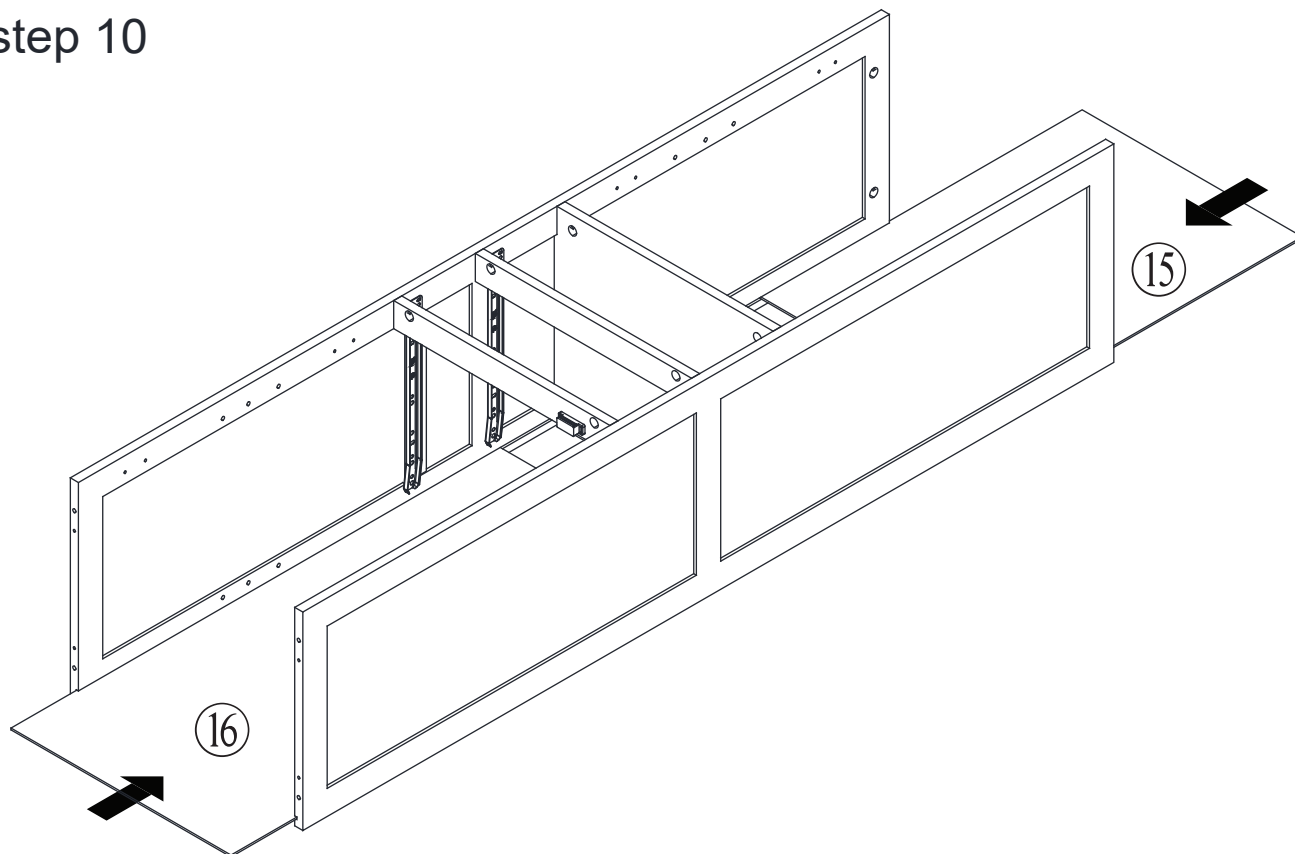
step 8



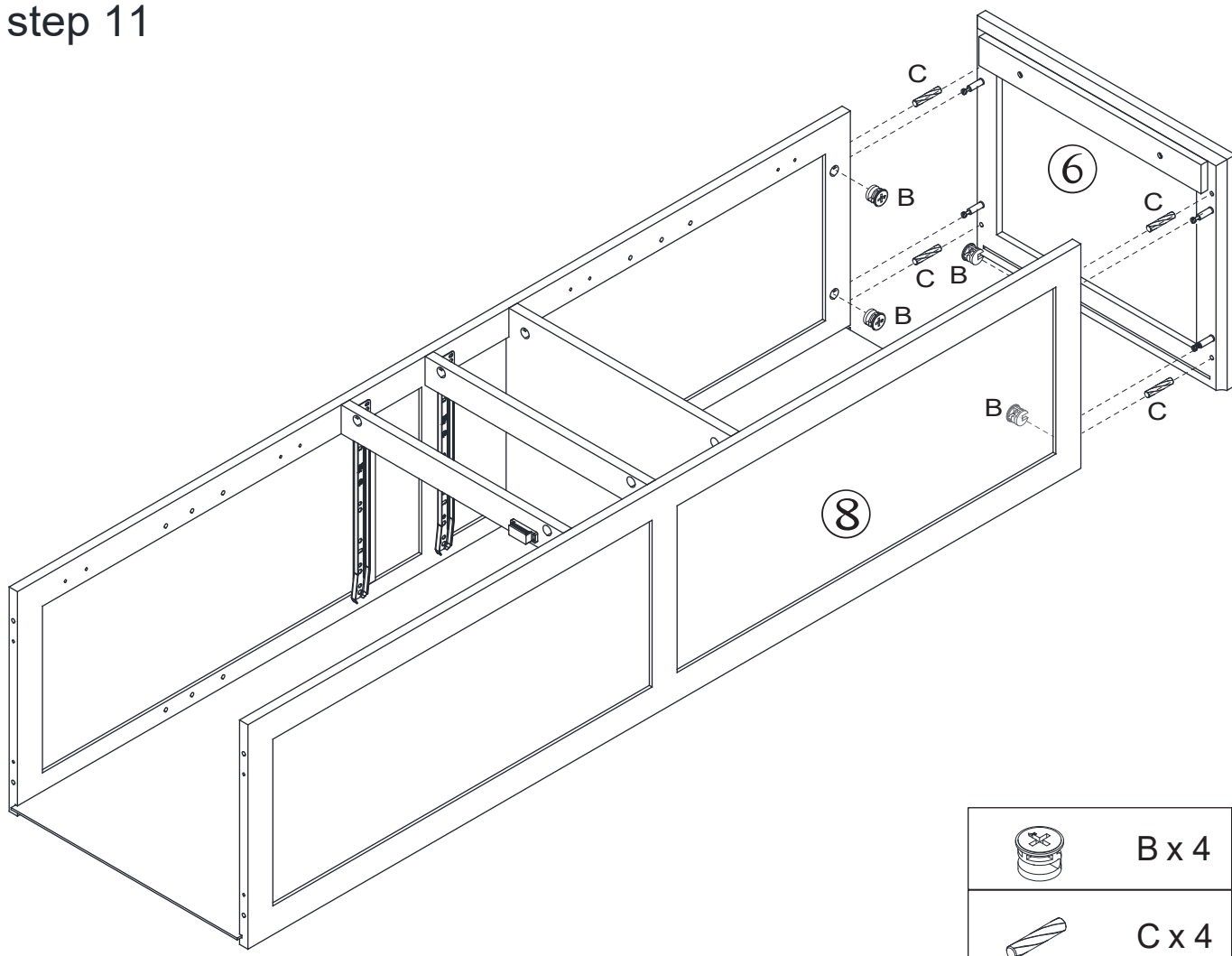
step 9





step 10

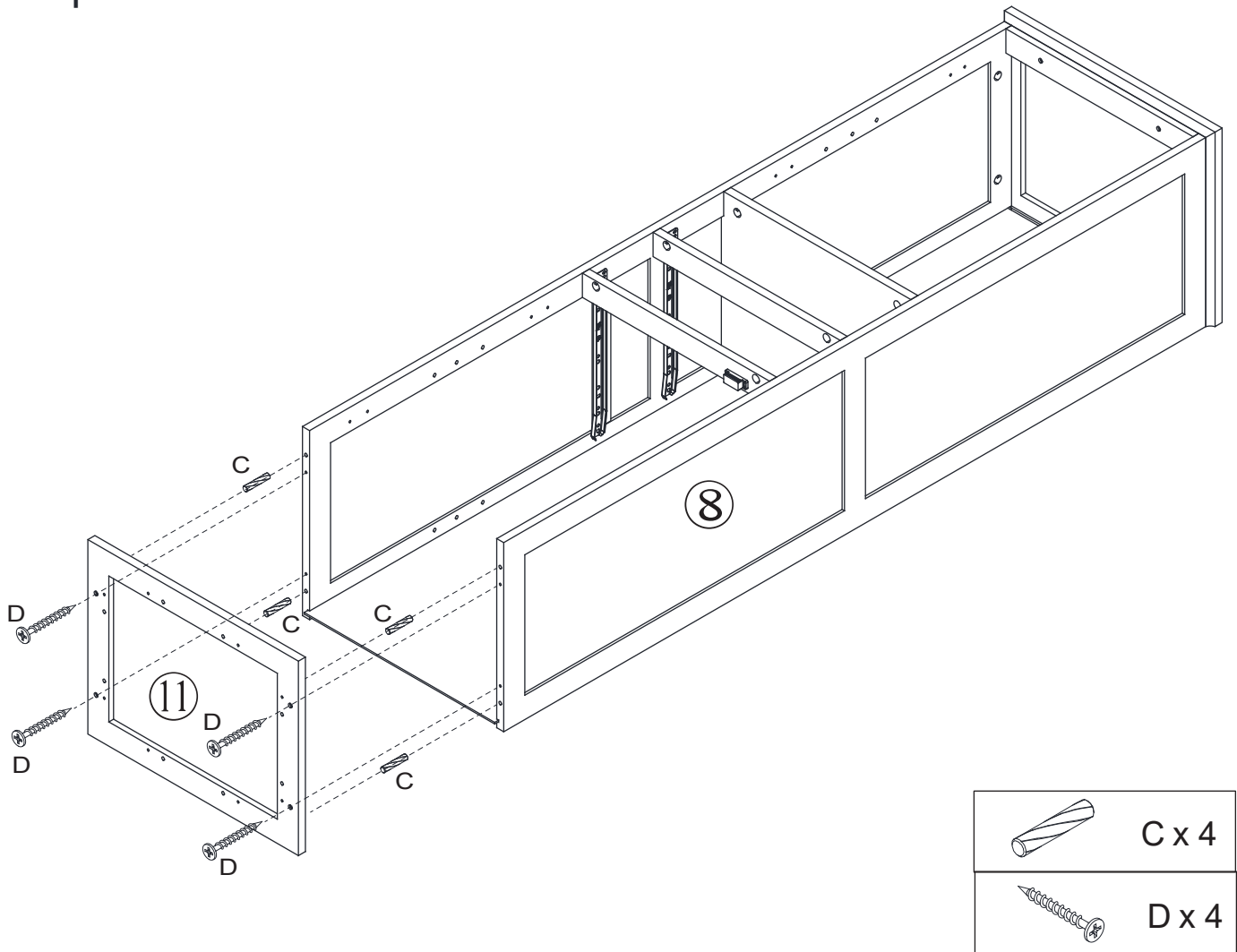


step 11

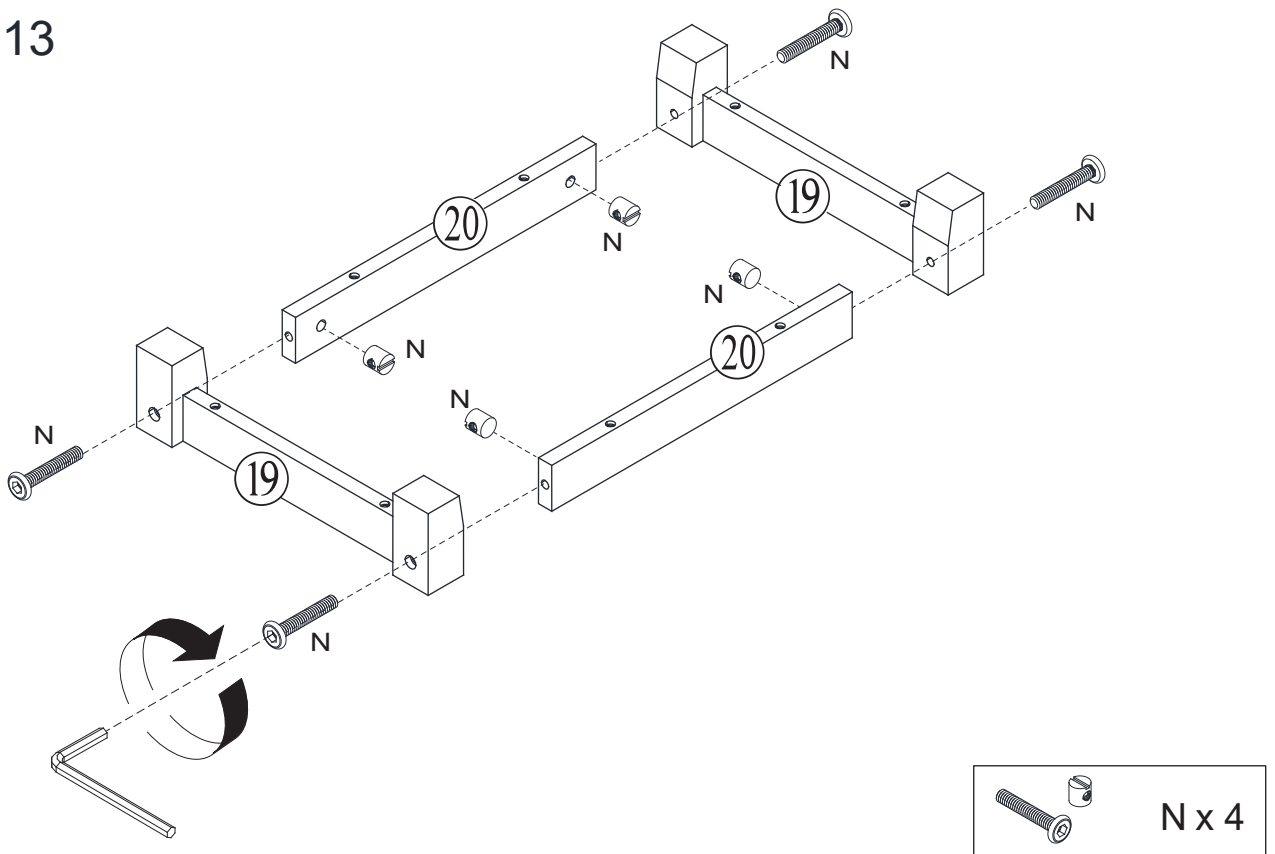


	B x 4
	C x 4

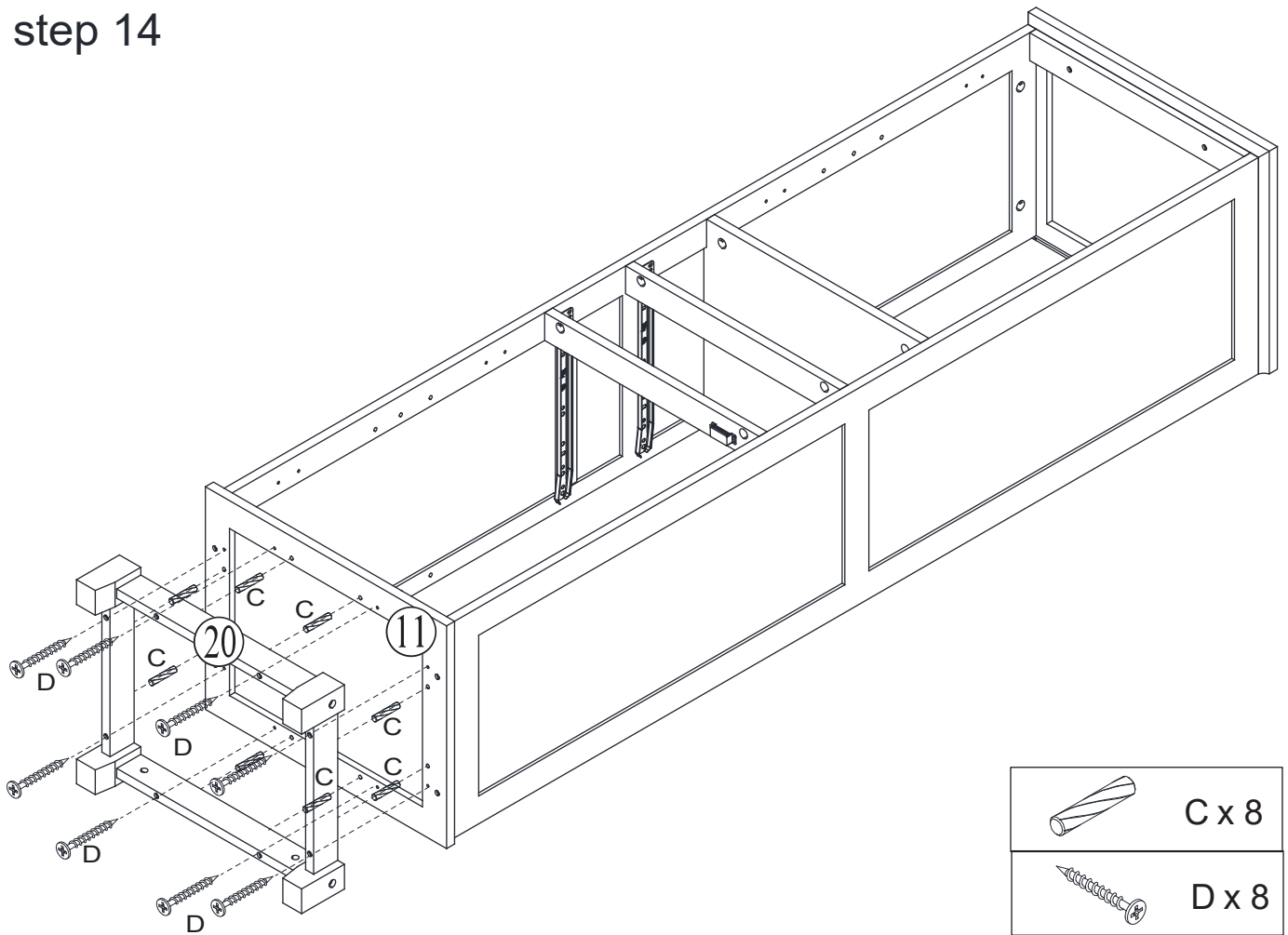
step 12



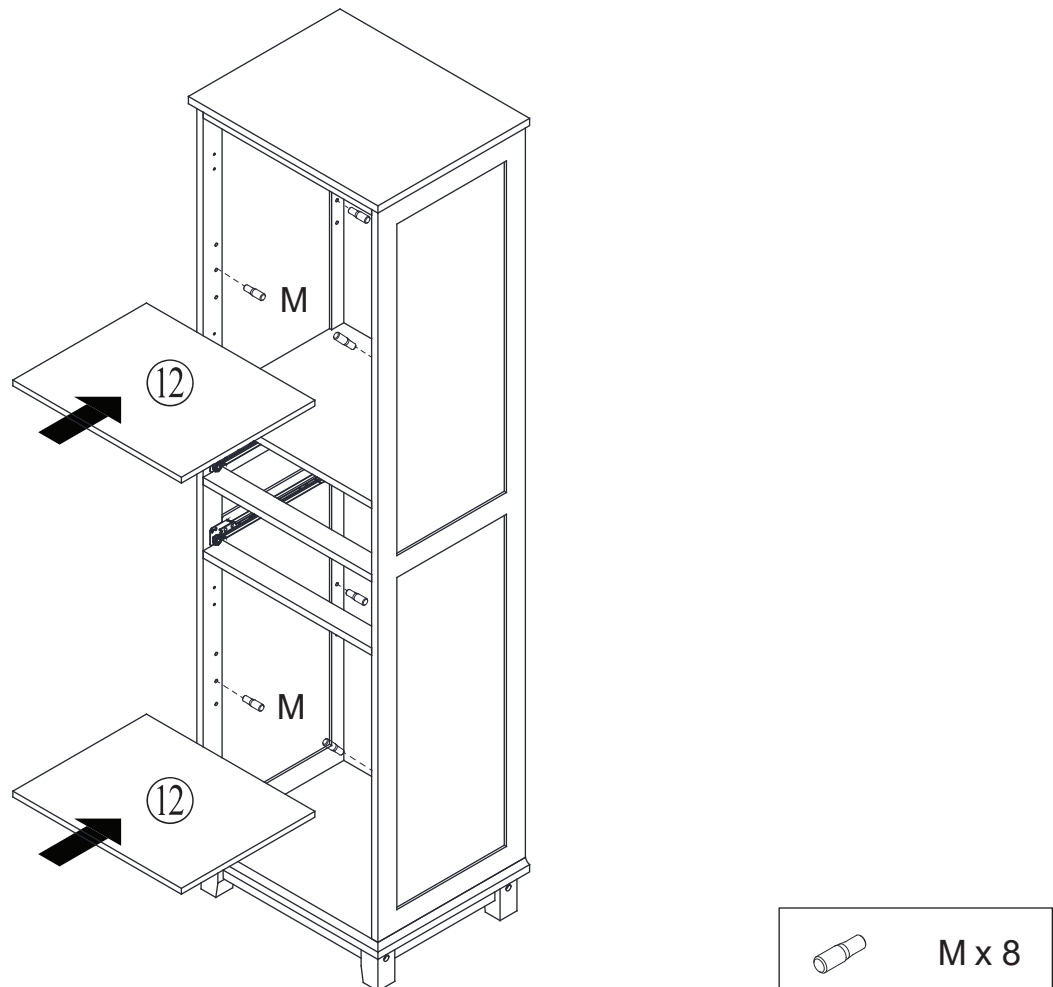
step 13



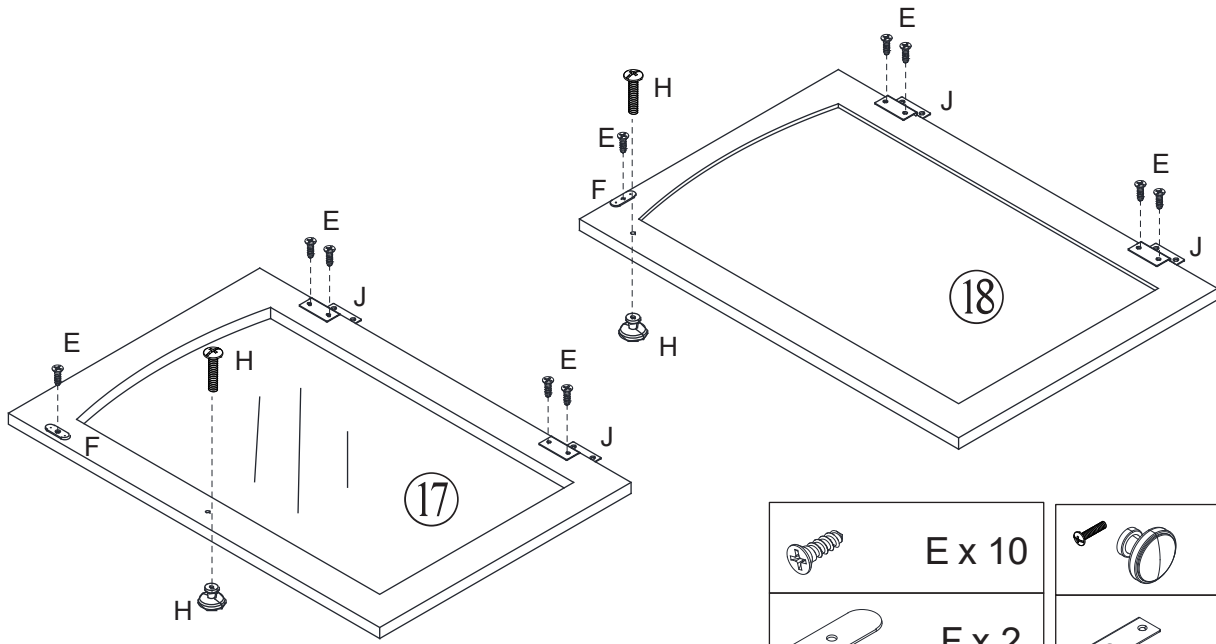
step 14



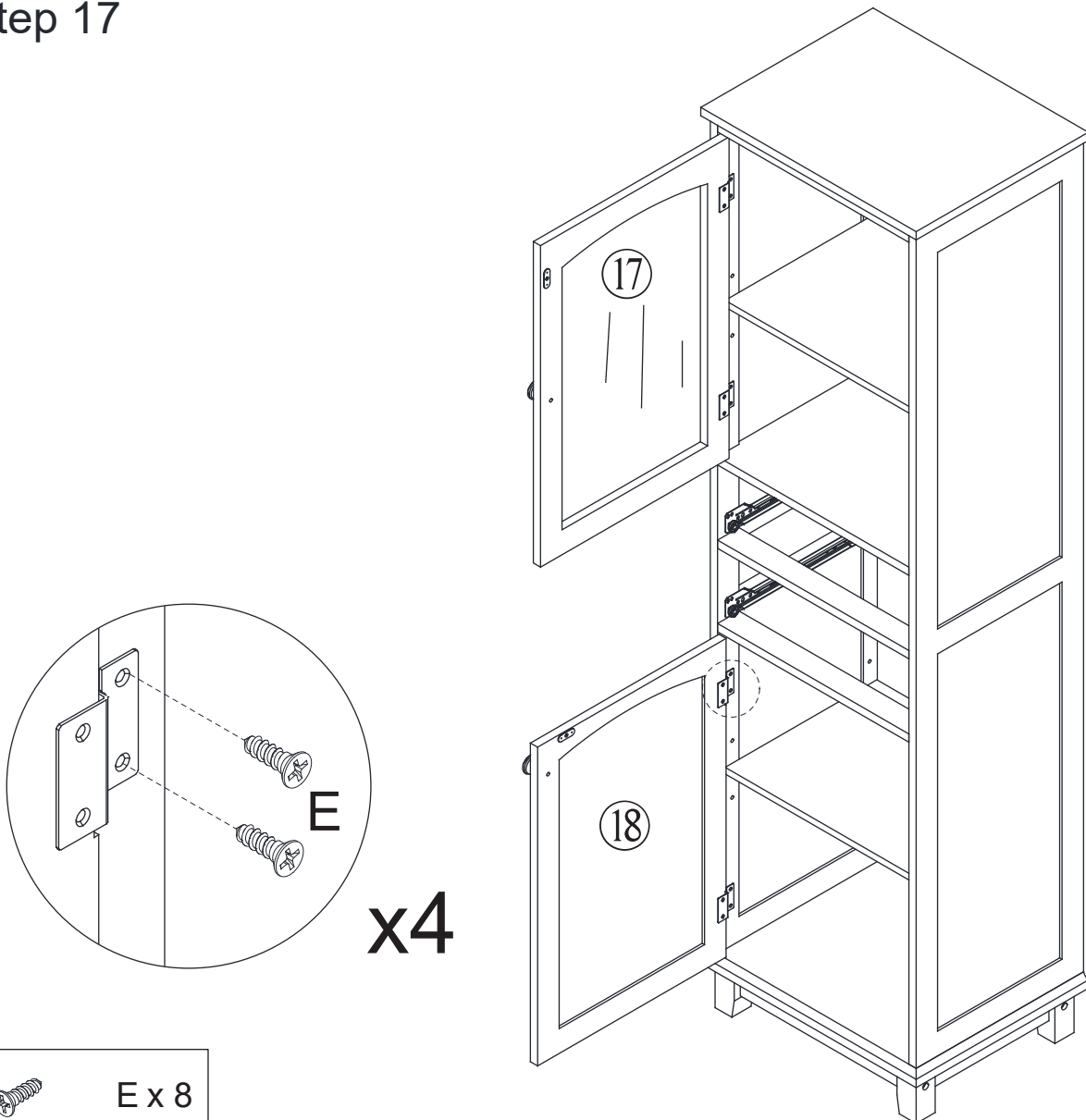
step 15



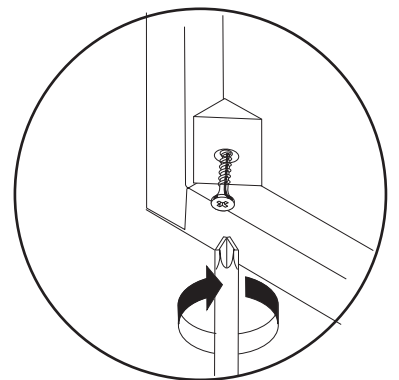
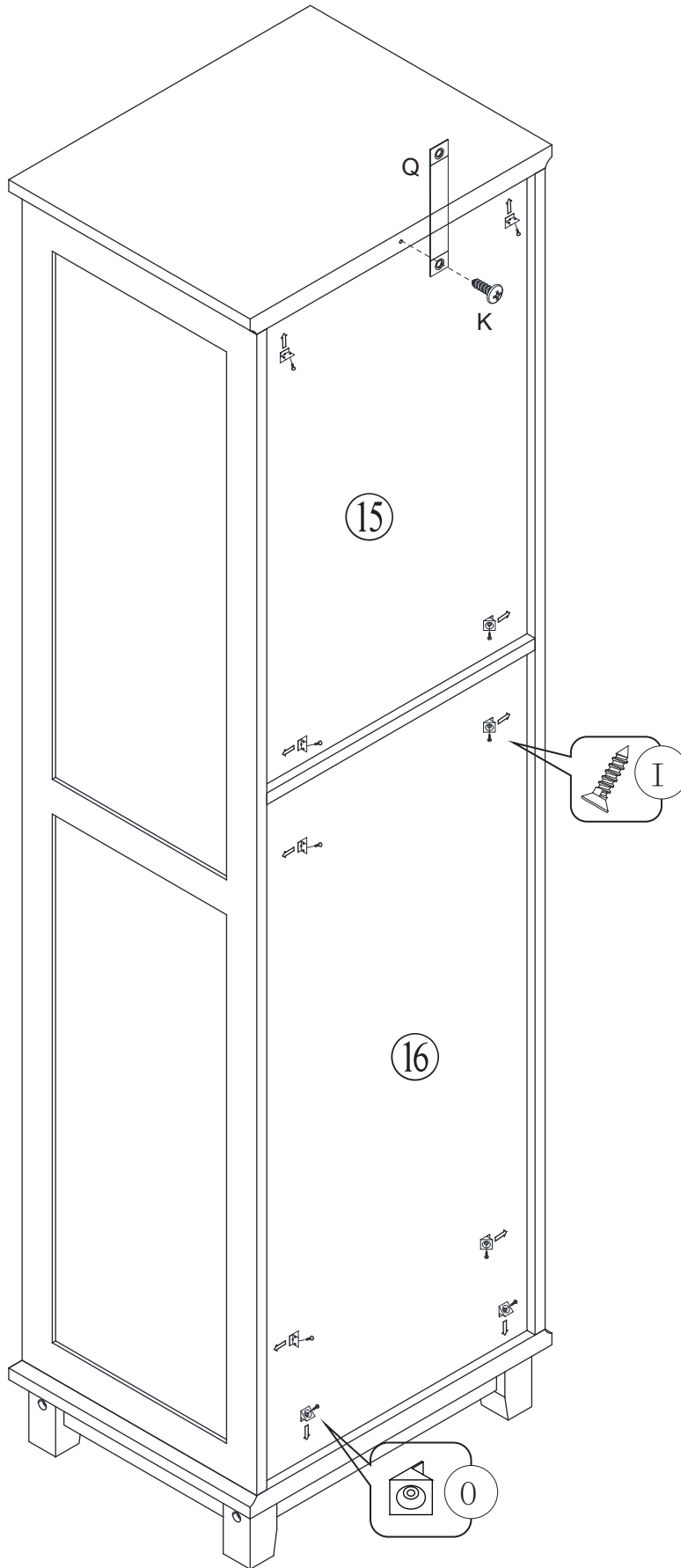
step 16







step 17

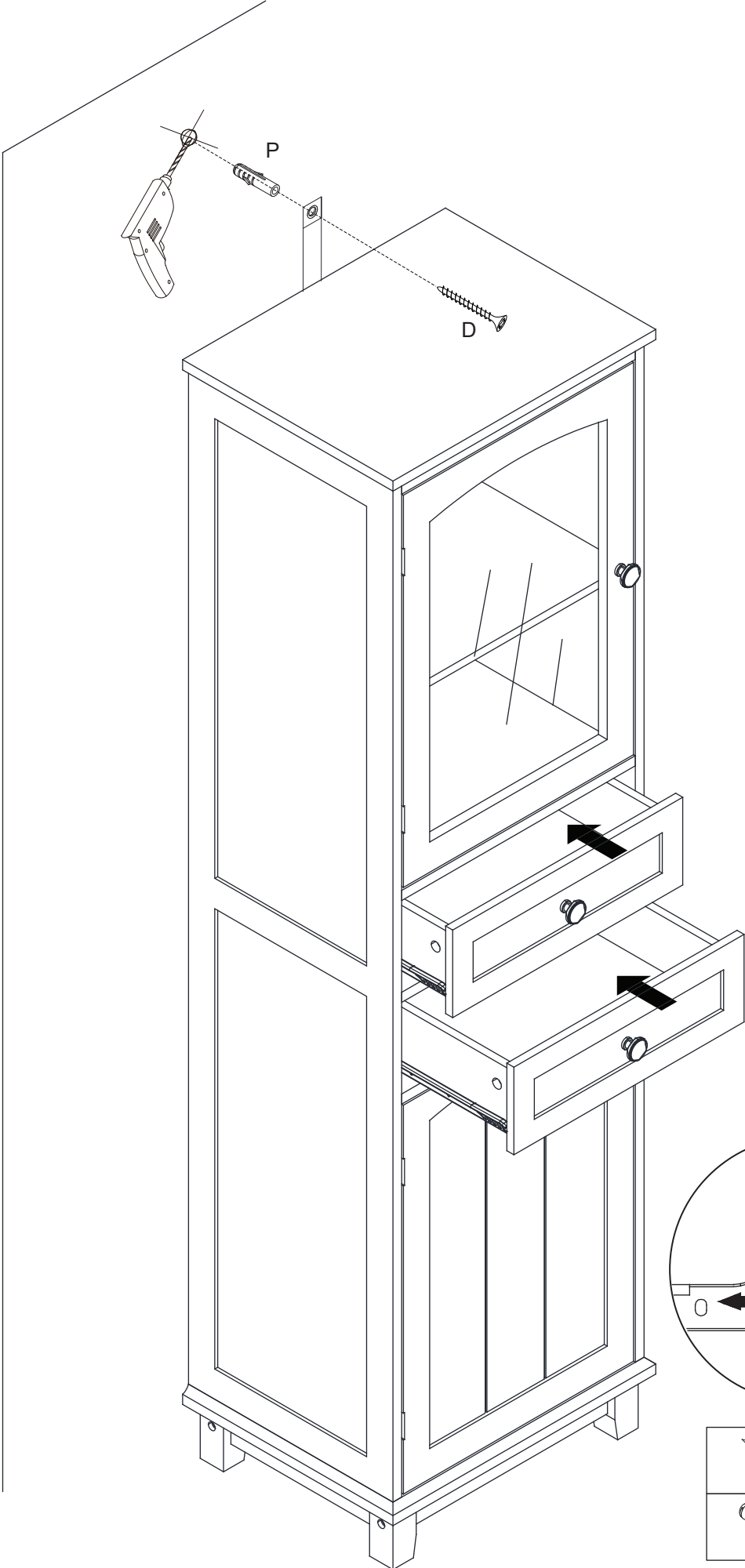



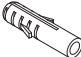
step 18



	K x 1
	Q x 1
	I x 10
	O x 10

step 19



- | | |
|---|-------|
|  | D x 1 |
|  | P x 1 |