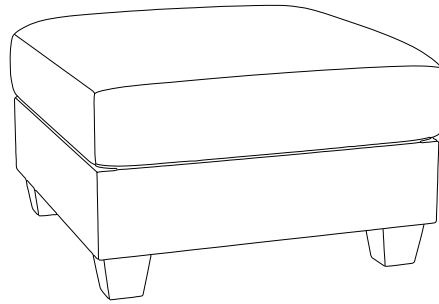
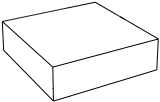
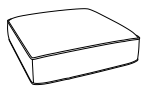







ASSEMBLY INSTRUCTION



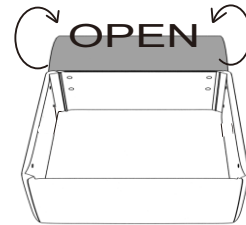
PARTS LIST

				
A	x1	B	x1	C Leg x4

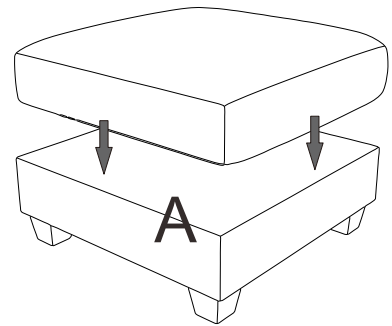
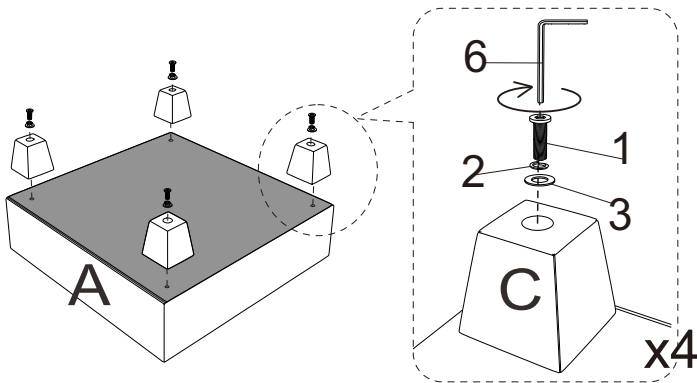
HARDWARE LIST

							
1	x4	2	x4	3	x4	6	x1

Open up Velcro of Non-Woven Fabric cover on the bottom of the to remove **HARDWARE** and **legs**.



Step1



Step2

