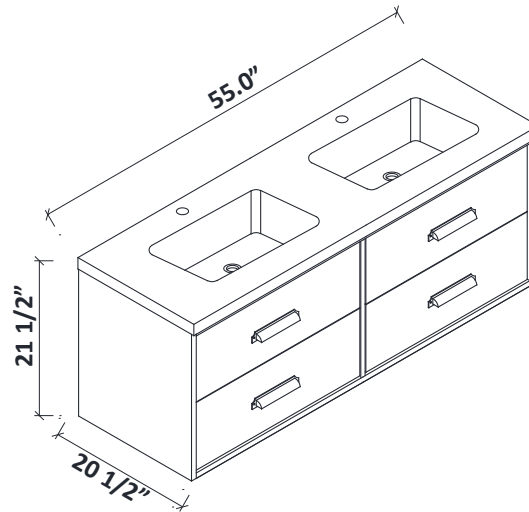
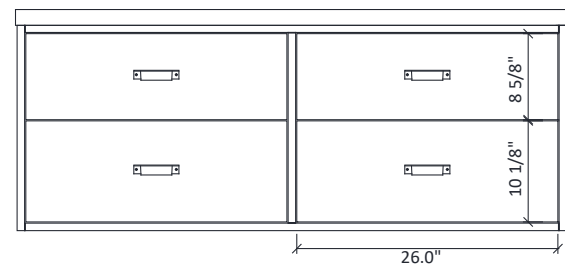
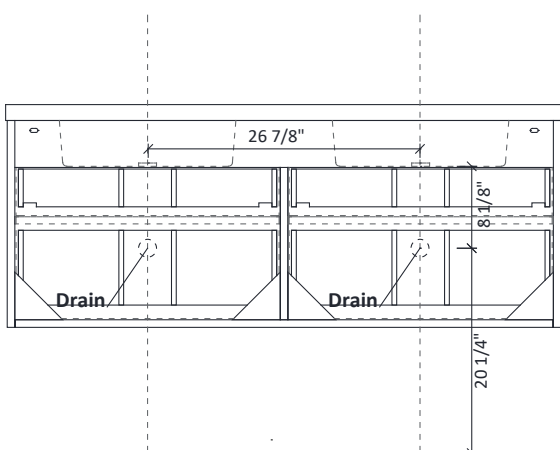
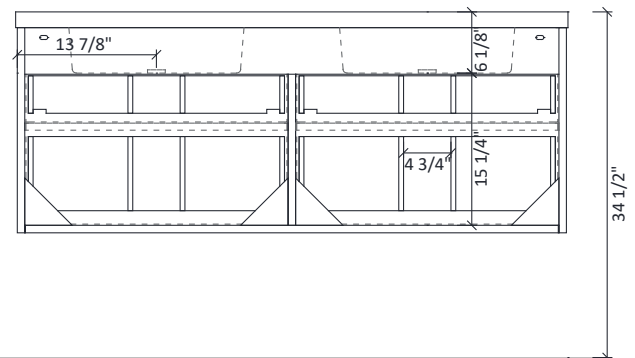
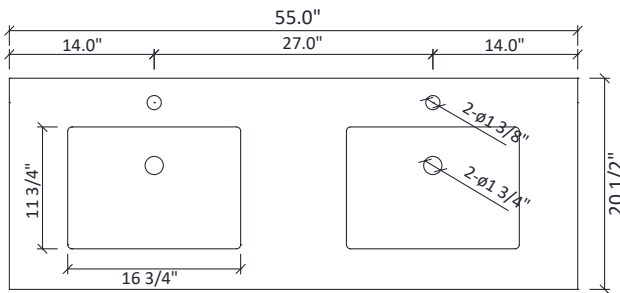


# S2407-55 Floating Vanity Installation Instruction



## DIMENSIONS



### **WARNING !**

*In the hole on the wall, please be sure to be careful to avoid the internal cables and pipelines.*



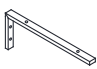
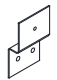



## MATERIALS & TOOLS

*Safety glasses, Pencil, Level, Tape measure, Stud Finder, Assorted screwdrivers, Assorted Wrenches, Drill, Screw gun, Caulking gun, Hammer, Screws, Nail anchors/Molly screws.*

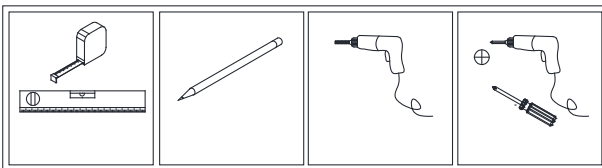
# INSTALLATION GUIDE

## Step 1

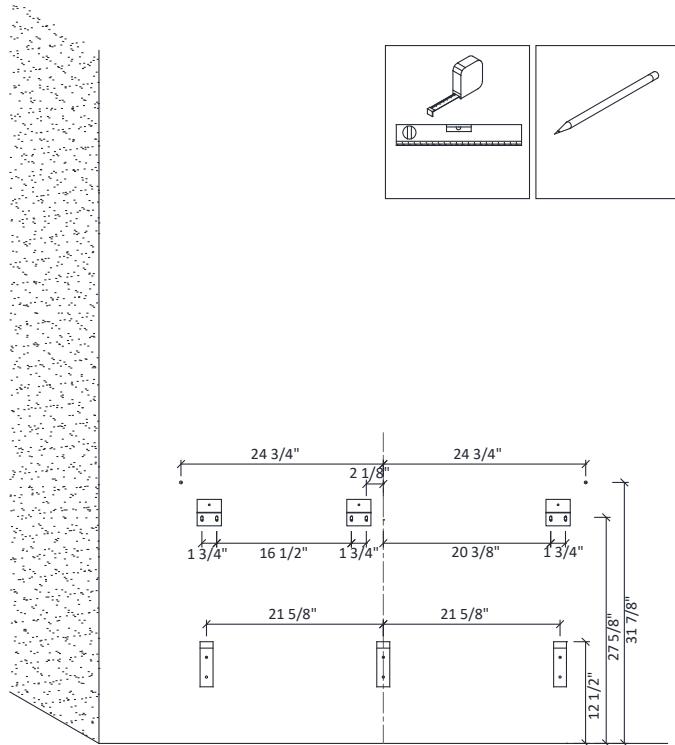
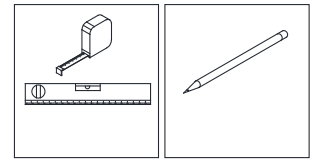
### PARTS

 A x8	 B x8	 C x3	 D x3
 E x14	 F x6	 G x3	

### TOOLS REQUIRED

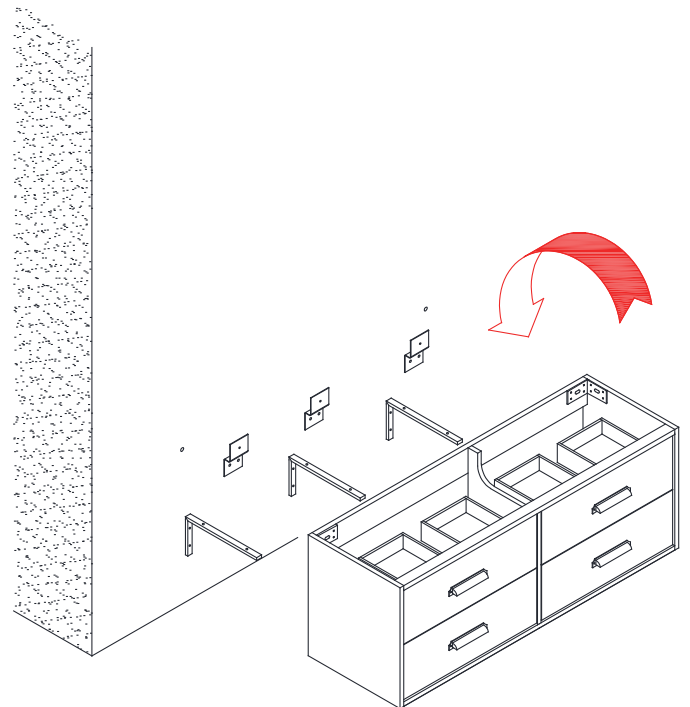
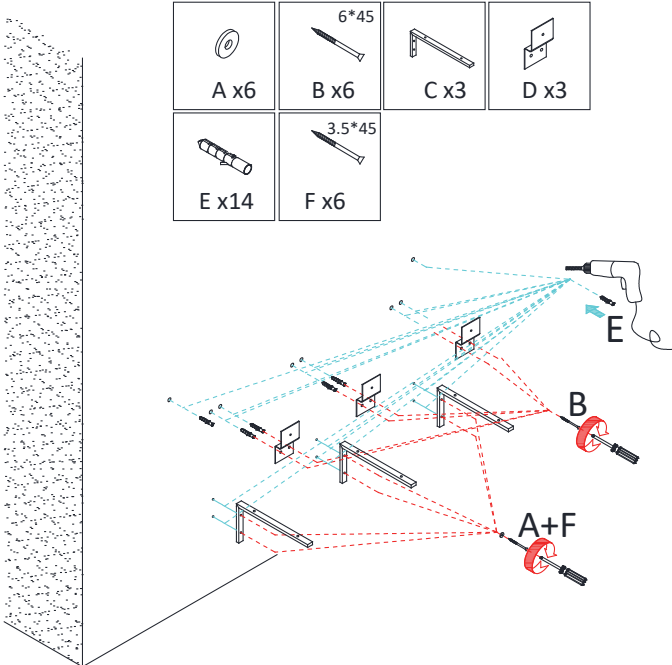


## Step 2



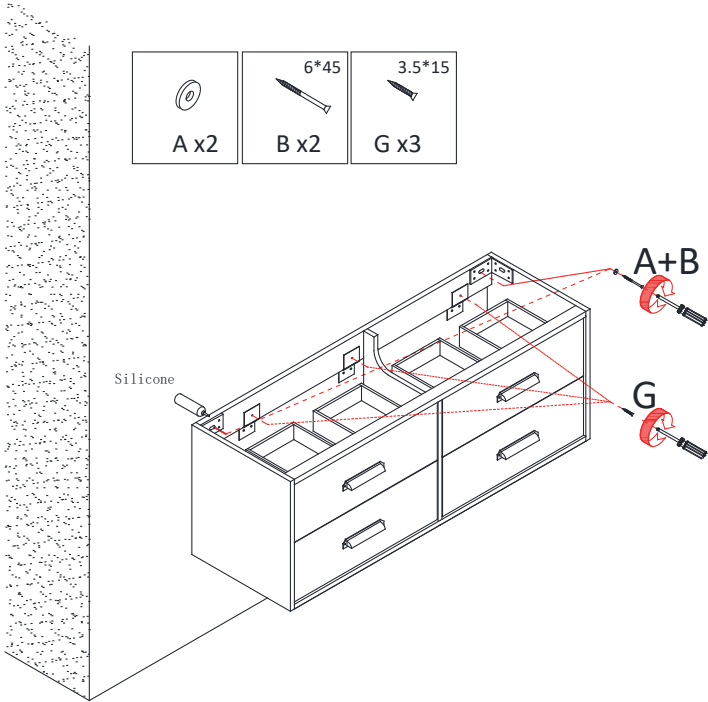
## Step 3

## Step 4

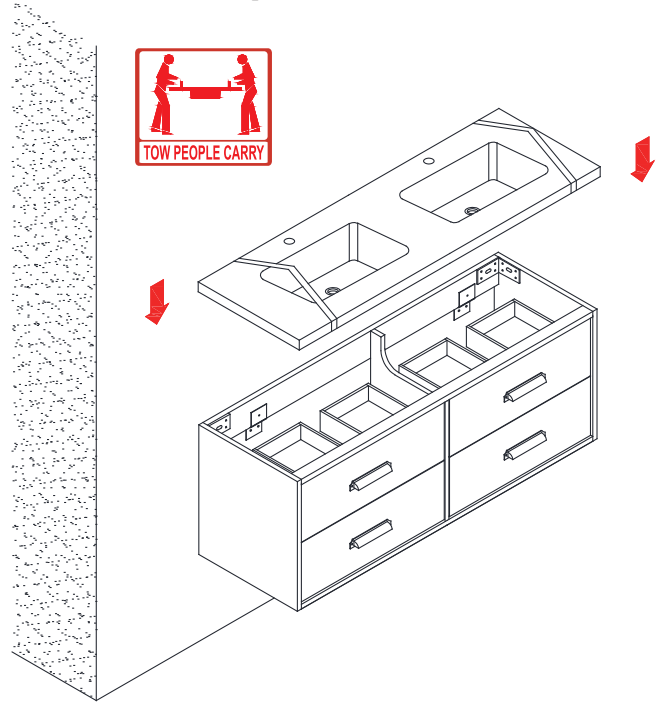


# INSTALLATION GUIDE

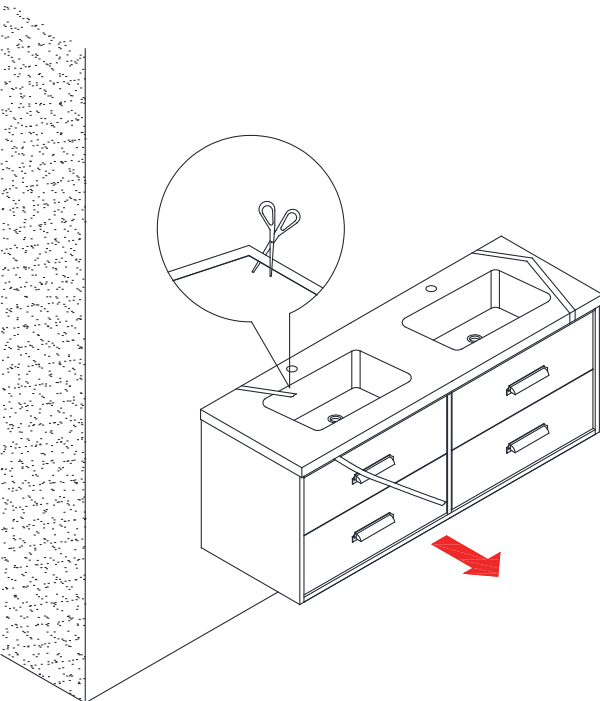
## Step 5



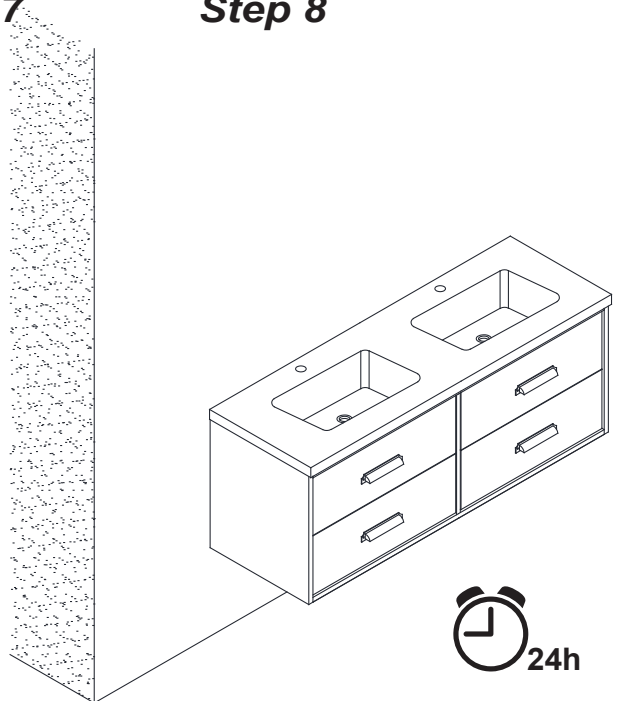
## Step 6



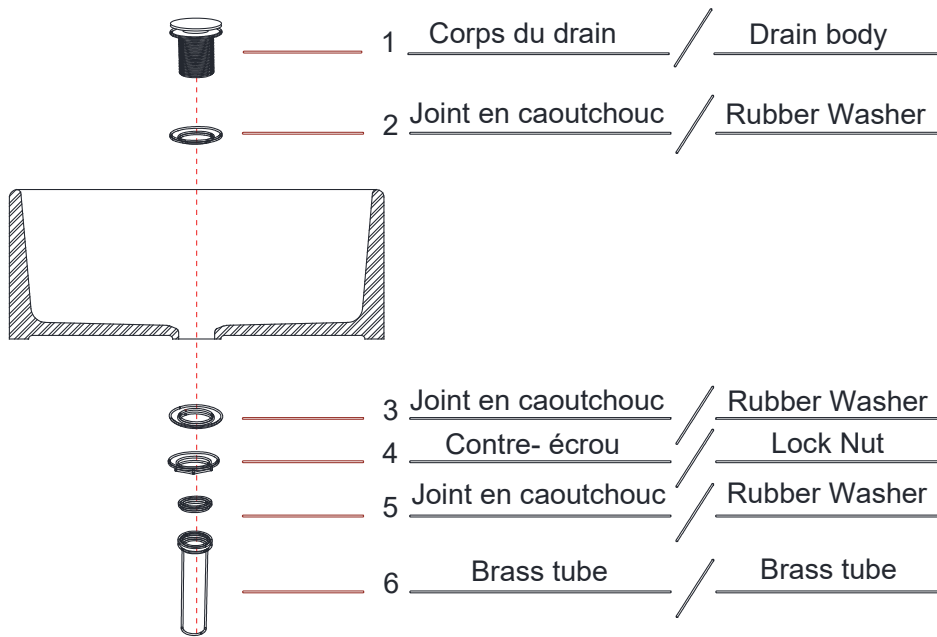
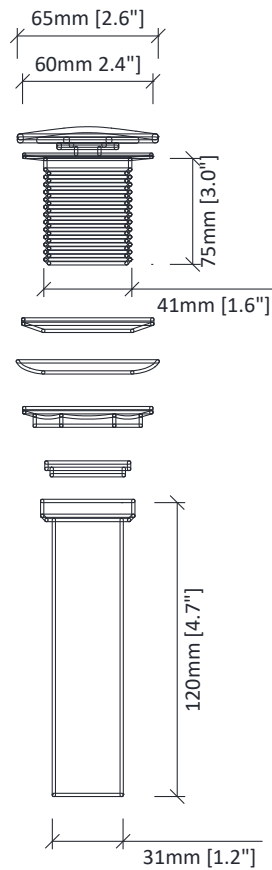
## Step 7



## Step 8



# Drain Installation Instruction



## WARNING !

*In the hole on the wall, please be sure to be careful to avoid the internal cables and pipelines.*