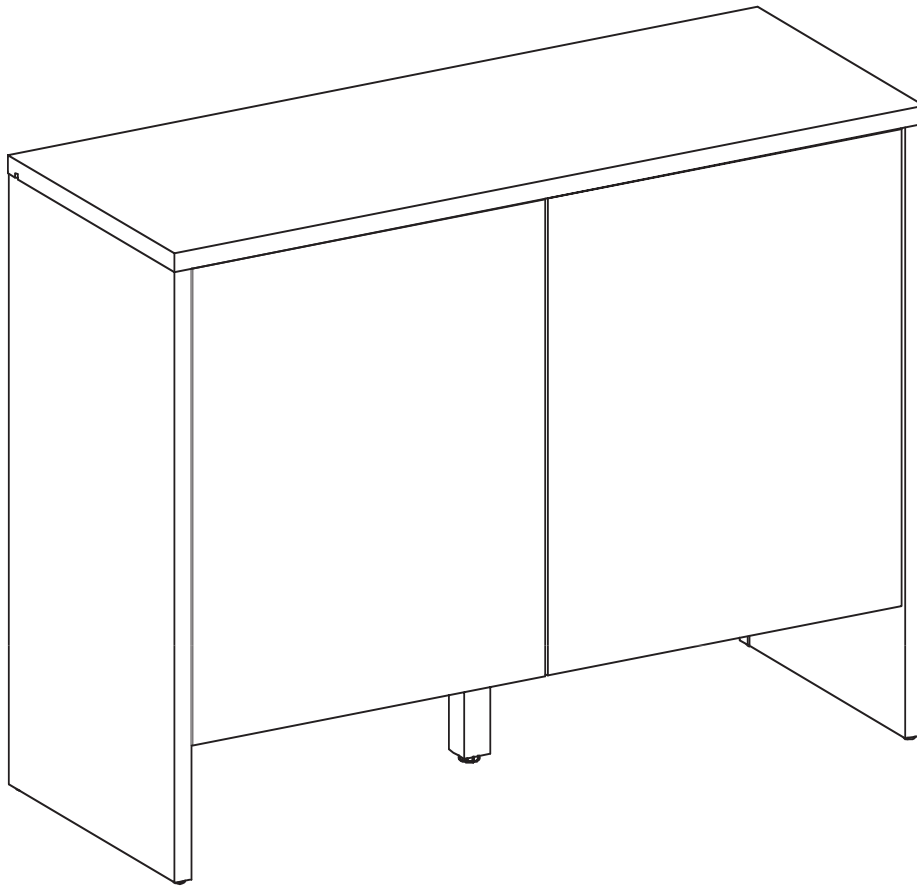


# ASSEMBLY INSTRUCTIONS

# EEI-6859

V0.01.01.24



## Questions? Contact us!

609.256.9000 • [cs@modway.com](mailto:cs@modway.com)  
[www.modway.com](http://www.modway.com)

\*modway



Read through all of the instructions before starting



Care instructions are listed in the last step of this manual



Approx. 60 minutes assembly time



Make sure you have all parts and components before discarding any packing materials



2 people recommended for assembly

Only use hand tools to assemble this item. Do not use power tools. Do not tighten bolts or screws completely until all hardware is lined up and inserted into the holes.

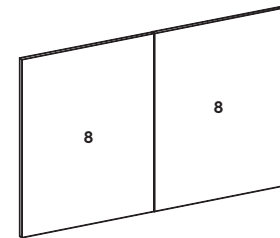
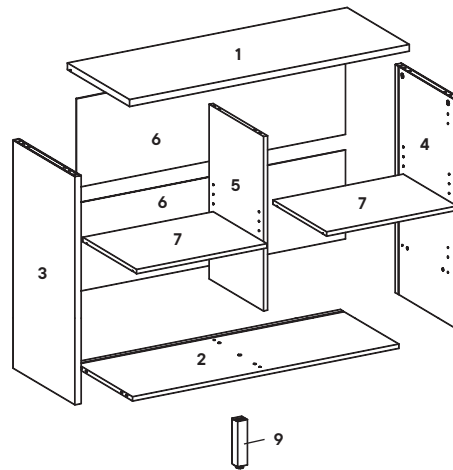
Do not over-tighten screws and bolts to avoid stripping the hardware or cracking the item.

Assemble your item on a flat, carpeted area, with plenty of space to work. This will prevent damage and scratches to your floors or the item while you're assembling the product.

Keep all components and packaging out of reach of children or animals to avoid risk of choking or suffocation.

## Furniture components:

1	Top Board	x1
2	Bottom Board	x1
3	Left Board	x1
4	Right Board	x1
5	Divider Board	x1
6	Backboard	x2
7	Adjustable Shelf	x2
8	Door	x2
9	Leg	x1



## Provided hardware:

A		Cam Lock Ø15 mm	x10	I		Wall Bracket Set	x1
B		Cam Bolt Ø7.5 x 32 mm	x10	J		H-Profile	x1
C		Cam Cover Ø17 mm	x10	K		Push to Open	x2
D		Plastic Dowel M8 x 32 mm x12		L		Shelf Pin M7 x 16.5 mm	x8
E		Screw M6 x 8 mm	x4	M		Door Hinge	x4
F		Screw M4 x 19 mm	x16	N		Screw M3 x 12 mm	x4
G		Backply Stopper	x16	O		Screw M4 x 10 mm	x8
H		Screw M10 x 33.5 mm	x3				

## What you need:



Missing parts or hardware? Need assistance?  
Contact us before returning your item. We're here to help!  
609.256.9000 • cs@modway.com

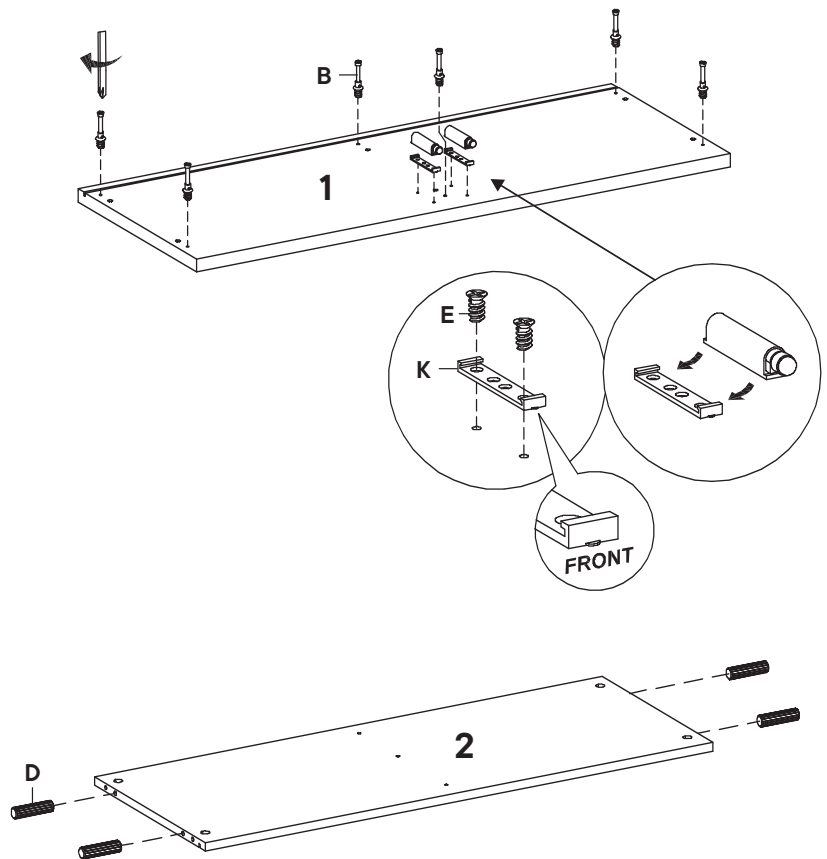
# Step 1

## HARDWARE

- B** Cam Bolt  $\varnothing 7.5 \times 32$  mm x6
- D** Plastic Dowel M8 x 32 mm x4
- E** Screw M6 x 8 mm x4
- K** Push To Open x2

## COMPONENTS

- 1** Top Board x1
- 2** Bottom Board x1



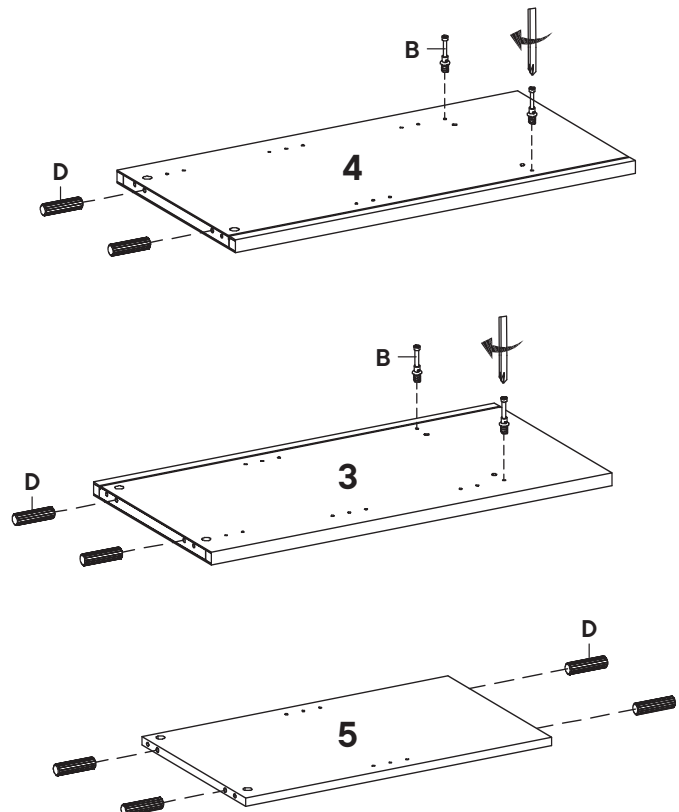
# Step 2

## HARDWARE

- B** Cam Bolt  $\varnothing 7.5 \times 32$  mm x4
- D** Plastic Dowel M8 x 32 mm x8

## COMPONENTS

- 3** Left Board x1
- 4** Right Board x1
- 5** Divider Board x1



# Step 3

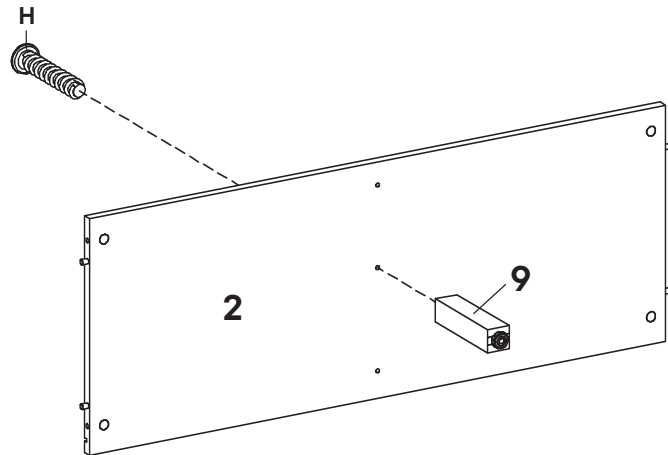
## HARDWARE

**H** Screw M10 x 33.5 mm x1

## COMPONENTS

**2** Bottom Board x1

**9** Leg x1



# Step 4

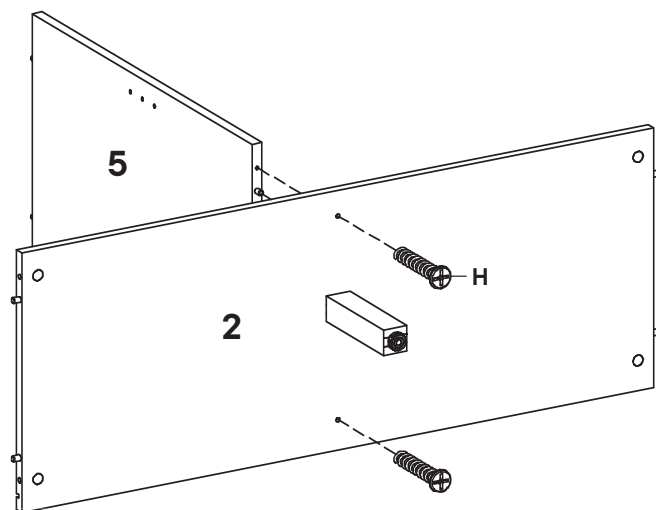
## HARDWARE

**H** Screw M10 x 33.5 mm x2

## COMPONENTS

**2** Bottom Board x1

**5** Divider Board x1



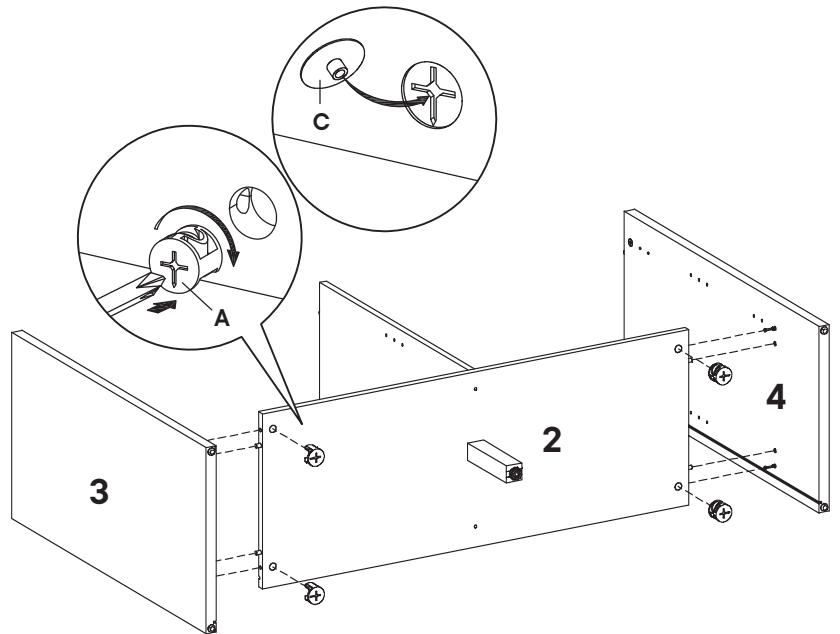
# Step 5

## HARDWARE

- A** Cam Lock  $\varnothing 15$  mm x4
- C** Cam Cover  $\varnothing 17$  mm x4

## COMPONENTS

- 2** Bottom Board x1
- 3** Left Board x1
- 4** Right Board x1



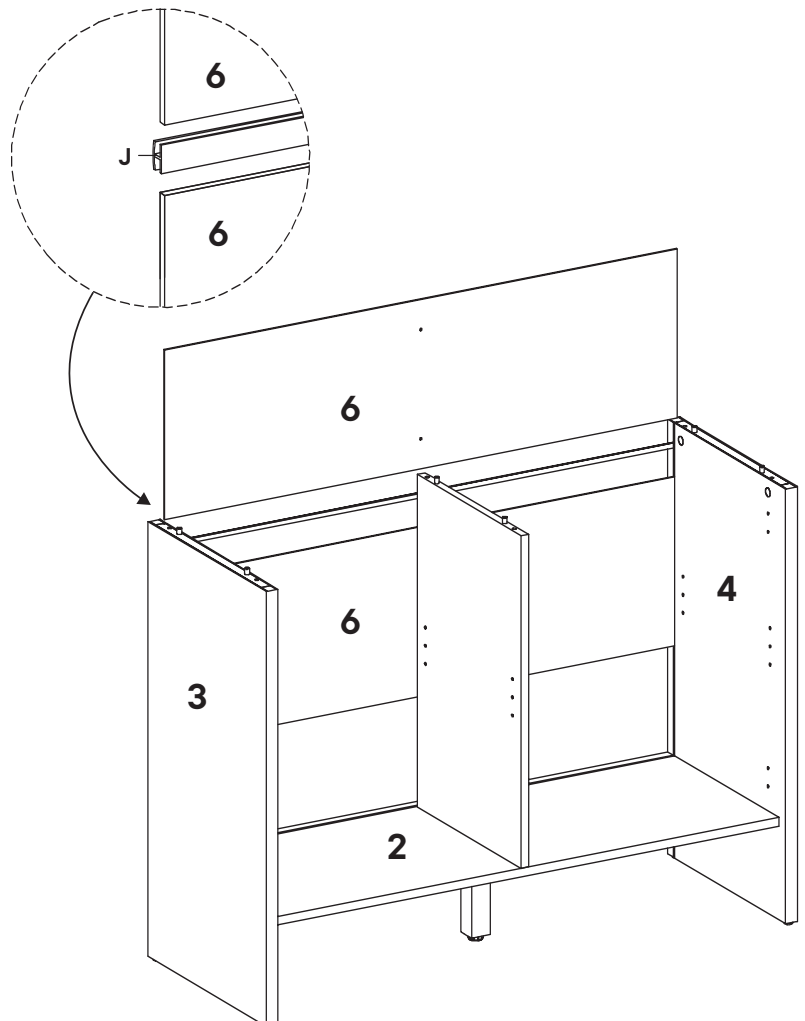
# Step 6

## HARDWARE

- J** H-Profile x1

## COMPONENTS

- 2** Bottom Board x1
- 3** Left Board x1
- 4** Right Board x1
- 6** Backboard x2



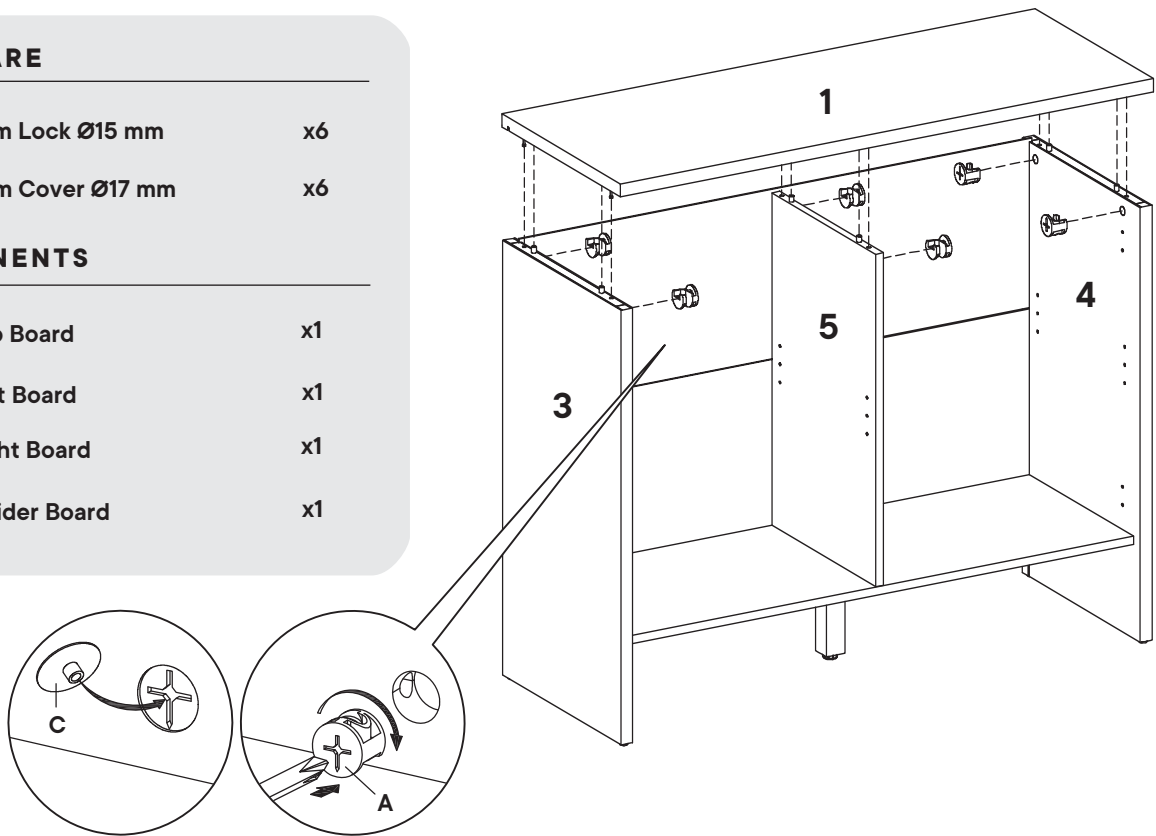
# Step 7

## HARDWARE

- A** Cam Lock  $\varnothing 15$  mm x6
- C** Cam Cover  $\varnothing 17$  mm x6

## COMPONENTS

- 1** Top Board x1
- 3** Left Board x1
- 4** Right Board x1
- 5** Divider Board x1



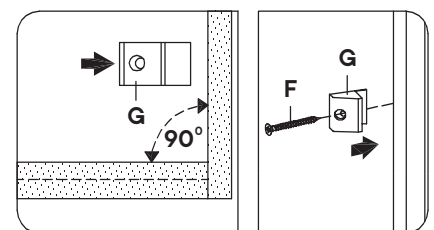
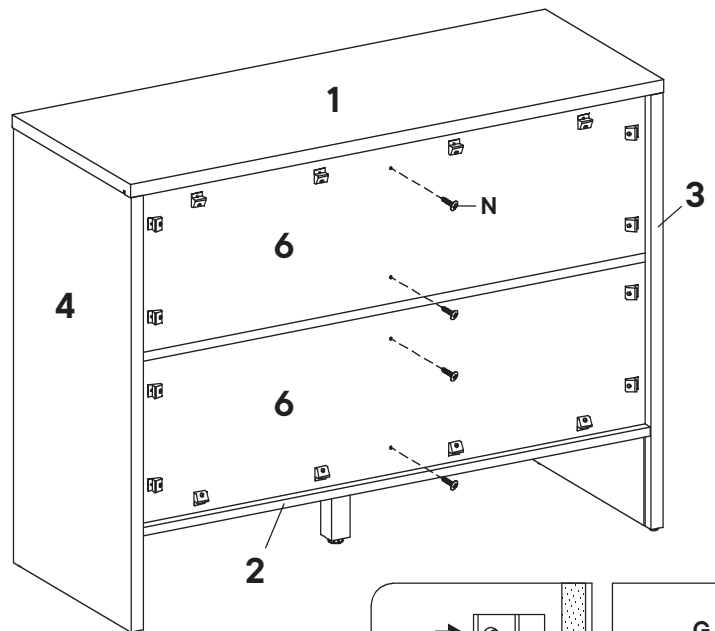
# Step 8

## HARDWARE

- F** Screw M4 x 19 mm x16
- G** Backply Stopper x16
- N** Screw M3 x 12 mm x4

## COMPONENTS

- 1** Top Door x1
- 2** Bottom Board x1
- 3** Left Board x1
- 4** Right Board x1
- 5** Divider Board x1
- 6** Backboard x2



MUST INSTALLED BACKBOARD AT FLAT SURFACE

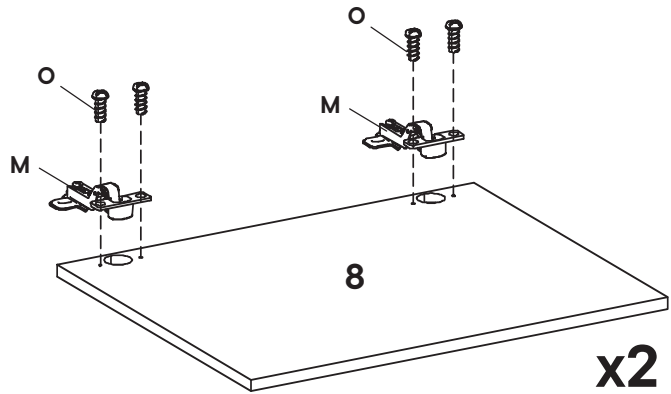
# Step 9

## HARDWARE

- M** Door Hinge x4
- O** Screw M4 x 10 mm x8

## COMPONENTS

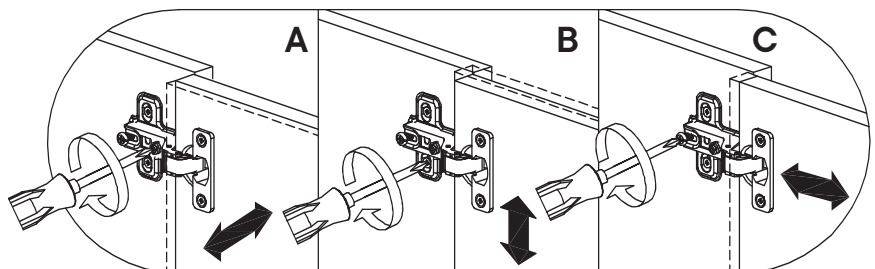
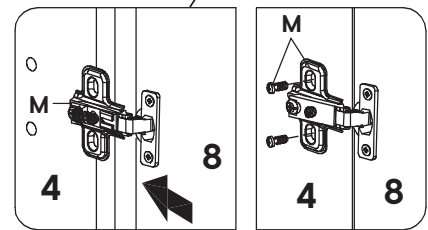
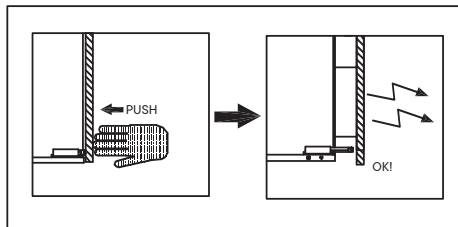
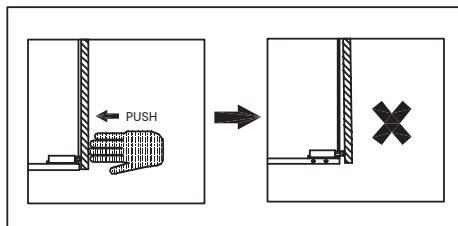
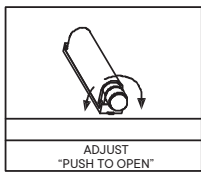
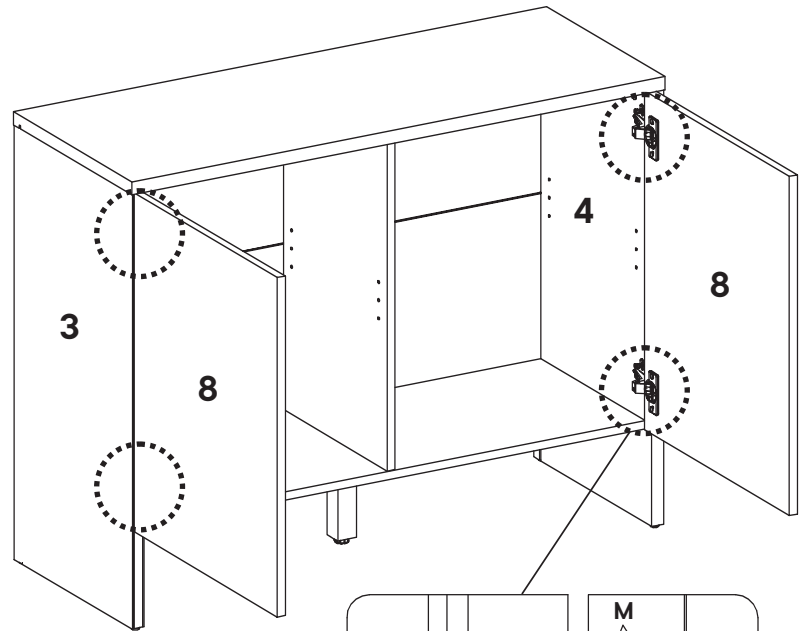
- 8** Door x2



# Step 10

## COMPONENTS

- 3** Left Board x1
- 4** Right Board x1
- 8** Door x2



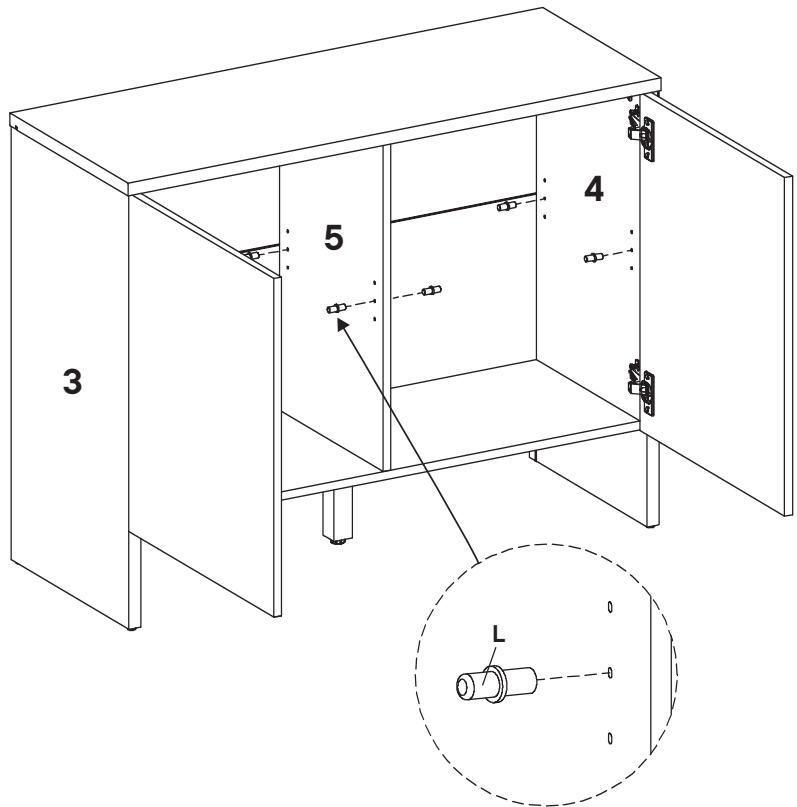
# Step 11

## HARDWARE

- L** Shelf Pin M7 x 16.5 mm x8

## COMPONENTS

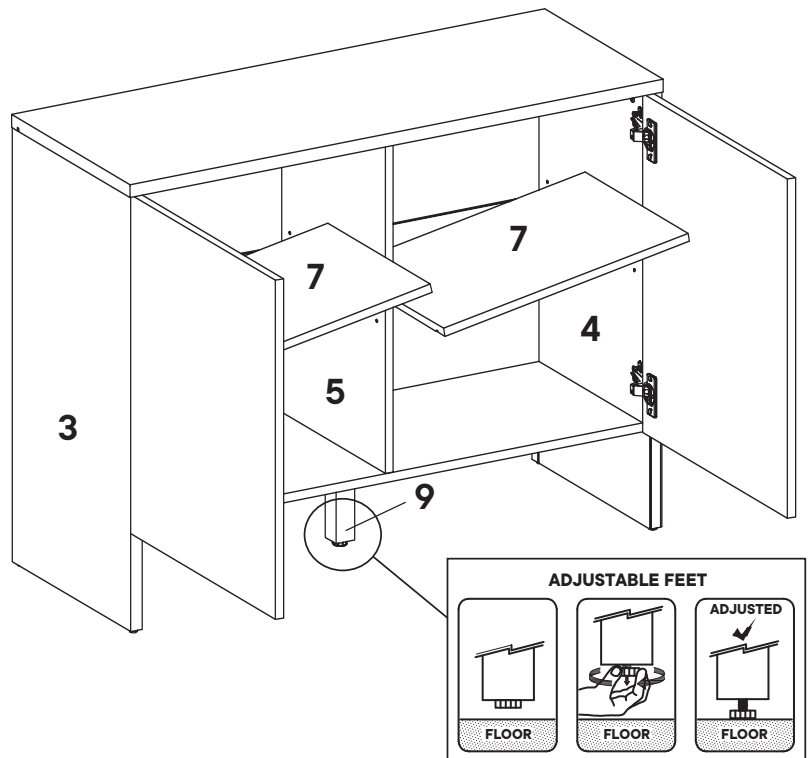
- 3** Left Board x1
- 4** Right Board x1
- 5** Divider Board x1



# Step 12

## COMPONENTS

- 3** Left Board x1
- 4** Right Board x1
- 5** Divider Board x1
- 7** Adjustable Shelf x2
- 9** Leg x1



# Great job!

Sideboard assembly is complete.

## ♥ CARING FOR YOUR ITEM

Indoor use only.

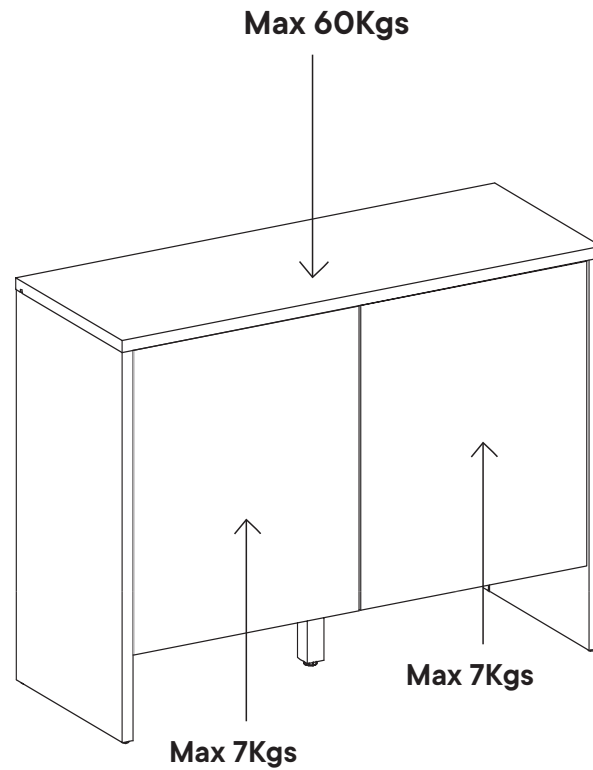
Not contract grade.

Clean using a non-abrasive cloth and a mild cleaner.

Never use harsh chemicals, as they could damage the finish or integrity of the item.

CONNECT WITH US!   

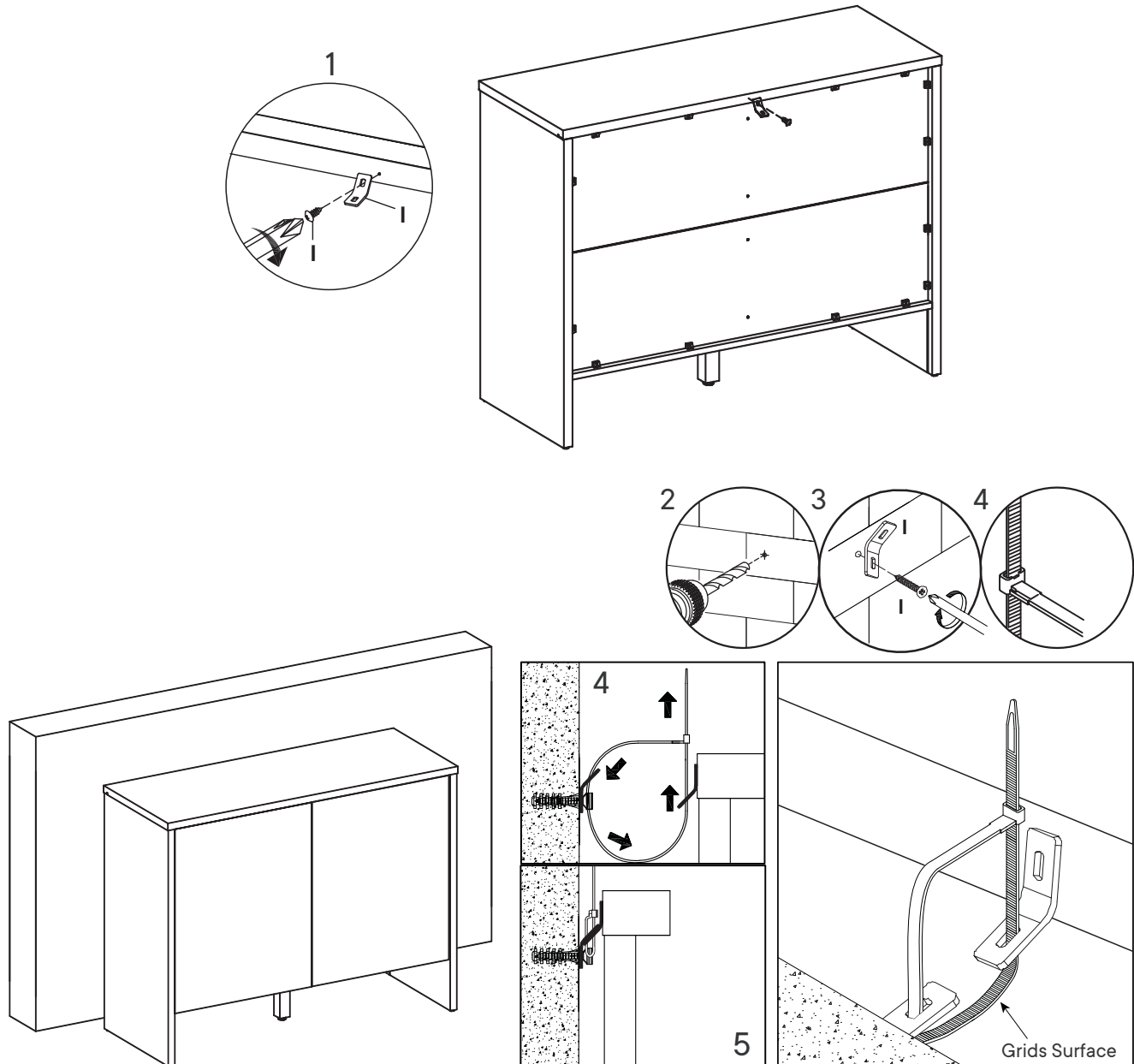
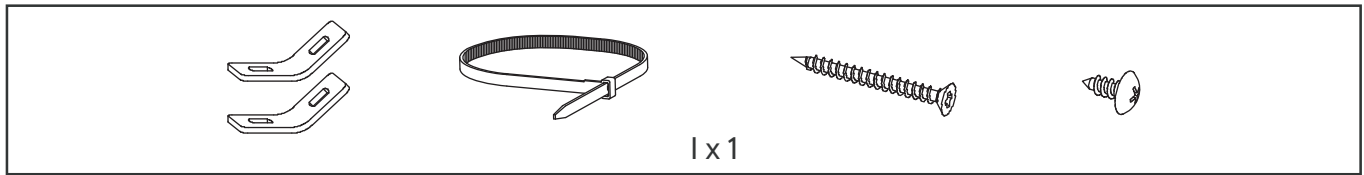
Tag us [@modway\\_furniture](#) and [#modway](#) for a chance to be featured.



## TIPPING RESTRAINTS KIT INSTALLATION GUIDANCE

Different wall materials require unique wall fasteners.

Please consult your local hardware store to ensure you are using the correct hardware for you wall type.



### **Installation Instructions :**

1. Attach bracket (I) securely to the back top of the furniture using short screw (I) provided.
2. Please make a hole on the wall for attach the bracket (I) to the back of unit.
3. Attach bracket (I) on the wall using long screw (I) as shown.  
Locate the other bracket (I) on the wall. Place furniture into position so both brackets (I) as shown.
4. Lace the end of the restrains strap through the larger hole in each bracket. Ensure the restrains strap with grids surface facing the inner loops. Bring both ends together and slide the flat end through the locking end and draw it through until all slack is removed.
5. Make sure that the strap is securely laced & locked.