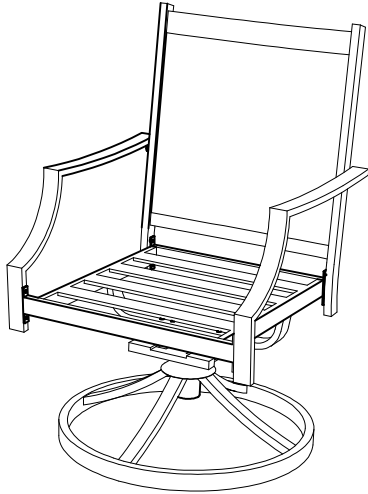
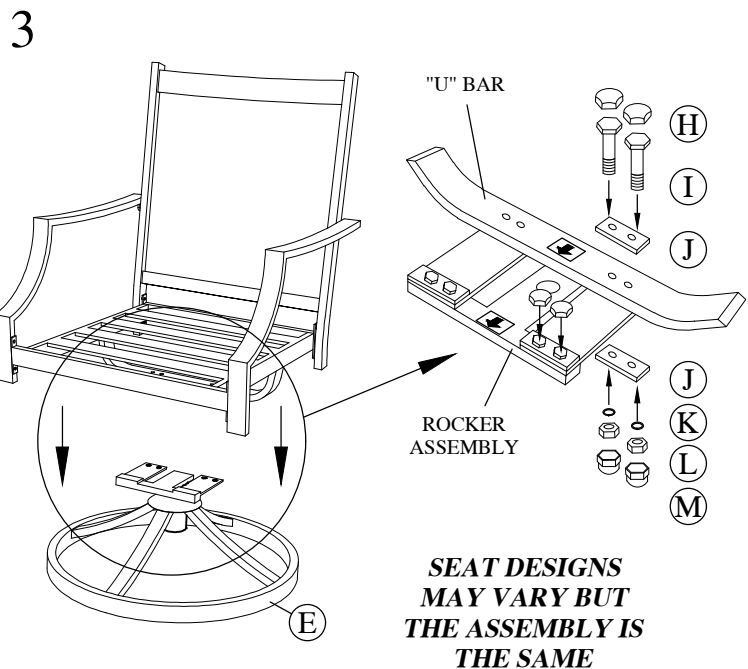
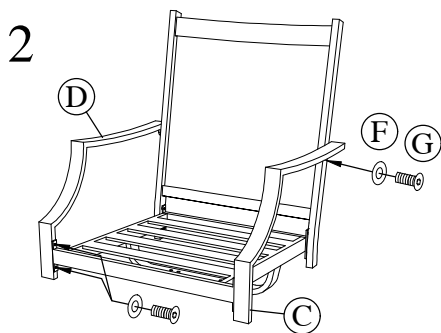
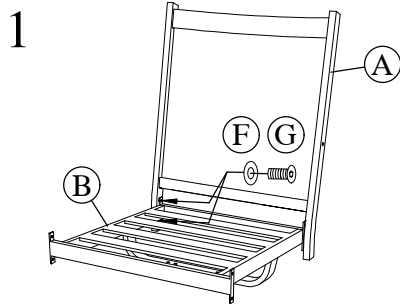


# ASSEMBLE INSTRUCTION



<b>A</b>  x1	<b>F</b>  Ø6.5*1.0 x10	<b>K</b>  5/16" x4
<b>B</b>  x1	<b>G</b>  1/4"x16 x10	<b>L</b>  5/16" x4
<b>C</b>  x1	<b>H</b>  x8	<b>M</b>  x4
<b>D</b>  x1	<b>I</b>  5/16"x58 x4	<b>N</b>  x1
<b>E</b>  x1	<b>J</b>  x4	<b>O</b>  x1
		<b>P</b>  x1



1. Fix all the screws in place, without tightening them first.
2. After confirming the position of all the screws, tighten the screws and nuts.