

ASSEMBLY&INSTRUCTION MANUAL

Thank you for your recent purchase of our product. We hope you will be pleased with both the product and service you received. If you received the product with missing accessories/damaged parts/installation problem, please do not worry. Please provide(1)copy of your order, (2)pictures of your damaged parts, (3) your problem, contact us via Amazon order.

IMPORTANT:

Please read all the instructions and warnings before assembling. In order to make the whole product adjust to the best, please install all the screws on the product and tighten all the screws after adjusting the product which can stand on the floor even.

Use tips:


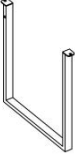
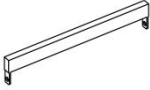





1. Maximum table weight: 100 pounds
2. Please do not put excessive weight on the product, this could damage to the coffee table.
3. Do not use in adverse weather condition and cover furniture when not in use.

Maintenance and cleaning:

1. Rattan and coffee table: Please wipe with a soft towel.

Coffee Table

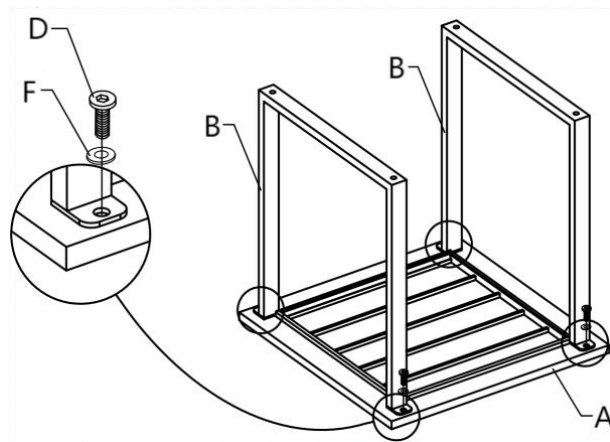
Spare parts list:

			
A: table face x 1	B: table foot x 2	C: bracing piece x 2	D: M6*15mm x 8
			
E: M6*40mm x 4	F: 12PCS	G: 4PCS	H: wrench x 1

NOTICE: Before verifying the alignment and adjust on a smooth flat surface, do not tighten all screws.

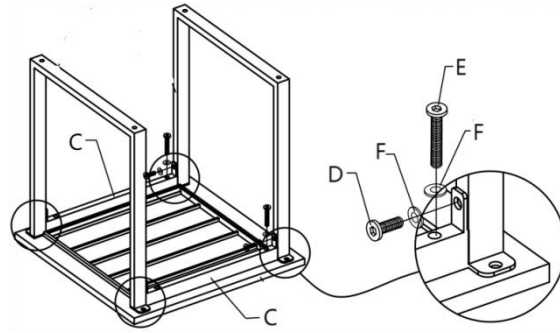
Step 1

A: 1pc B: 2pcs D(M6*15mm): 4pcs F: 4pcs



Step 2

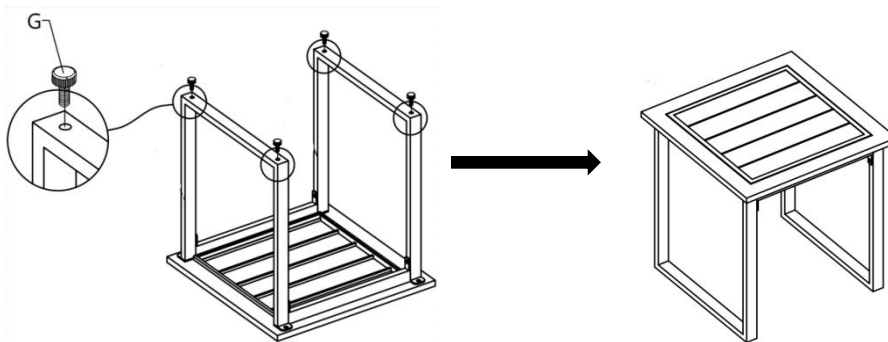
C: 2pcs D(M6*15mm): 4pcs E(M6*40mm): 4pcs F: 8pcs



NOTICE: Place table, legs down, on a flat smooth surface and verify table alignment. Fully tighten all screws now to maintain alignment.

Step 3

G: 4pcs



Caution: Please do not put excessive weight on the product, this could damage to the coffee table!

Warning

DO NOT STAND ON THE TABLE. Any improper use of product may result in injury.

