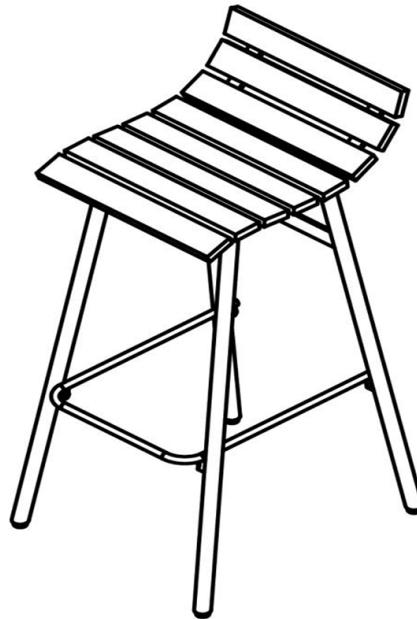


Assembly Instructions

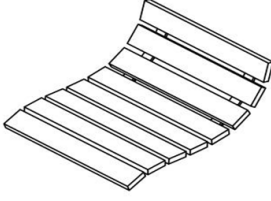



Caution: You must read this before you proceed

Please look in the leg for hardware packs


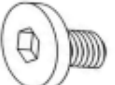

Barstool



Part List

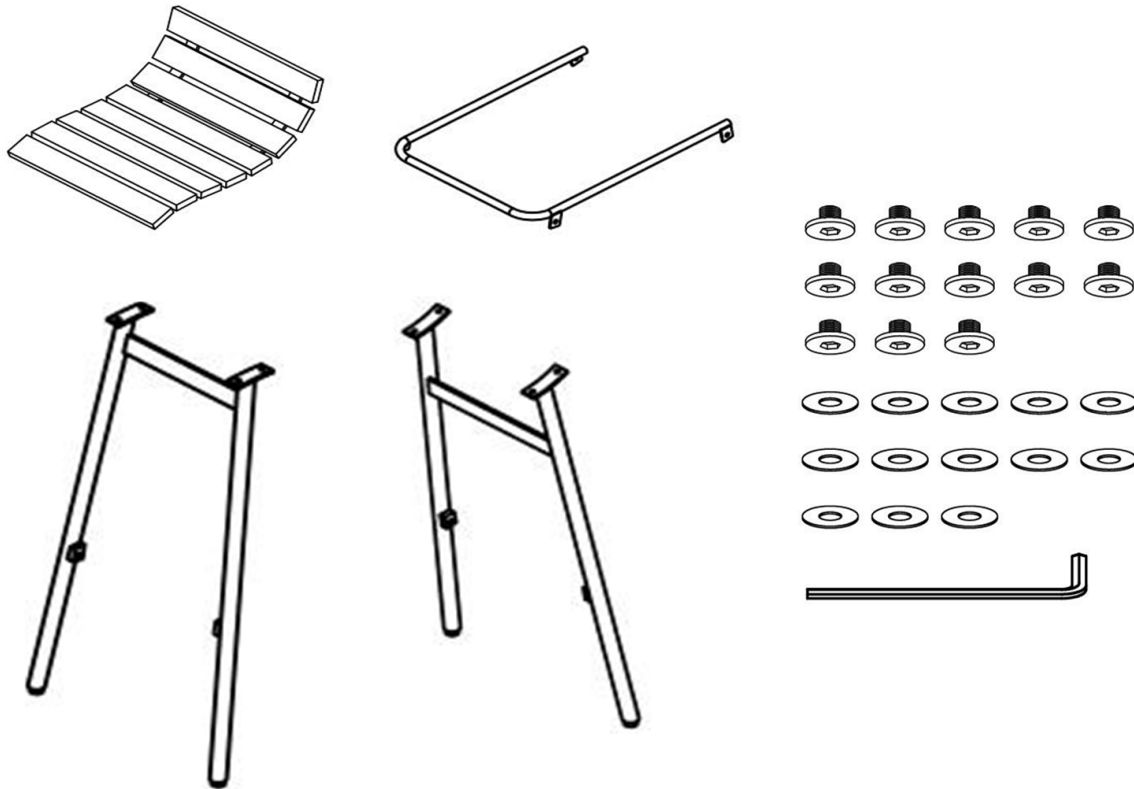
Label	Picture	Description	QTY
A		Seat Panel	1
B		Front Leg	1
C		Back Leg	1
D		Leg Support Rail	1

Hardware

Label	Picture	Description	QTY
①		Washer (M6.5/16x1mm)	13
②		Bolt (M6x15mm)	13
③		Allen Key	1

Assembly Preparation

Before Beginning Assembly:



- Read instructions, cover to cover-



- Have 2 adults on hand for assembly-



- Do not assemble on flooring or carpet-



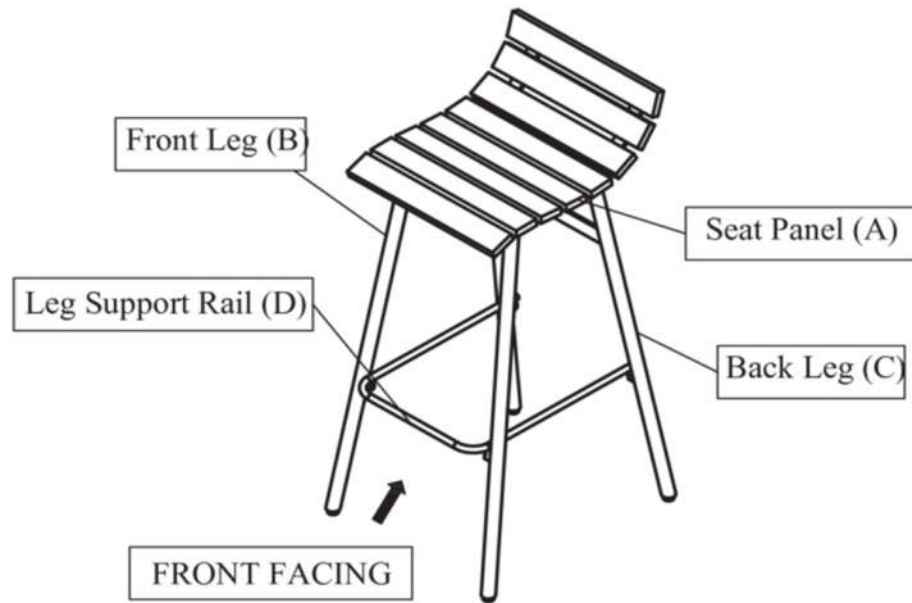
- Assemble on a clean non-marring surface (packing foam)-



- Save all packaging until finished-

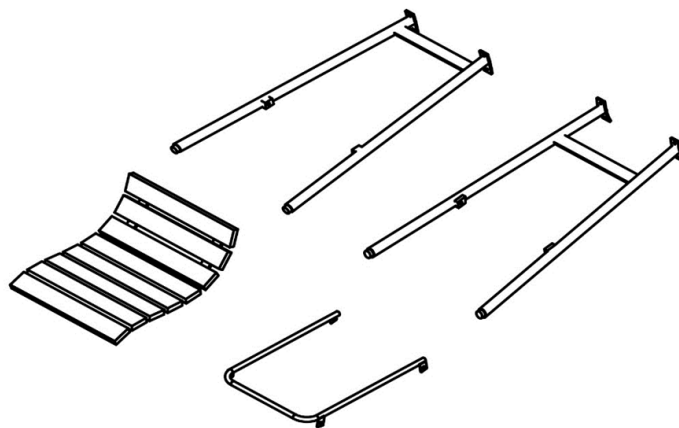
Assembly Steps

Overview



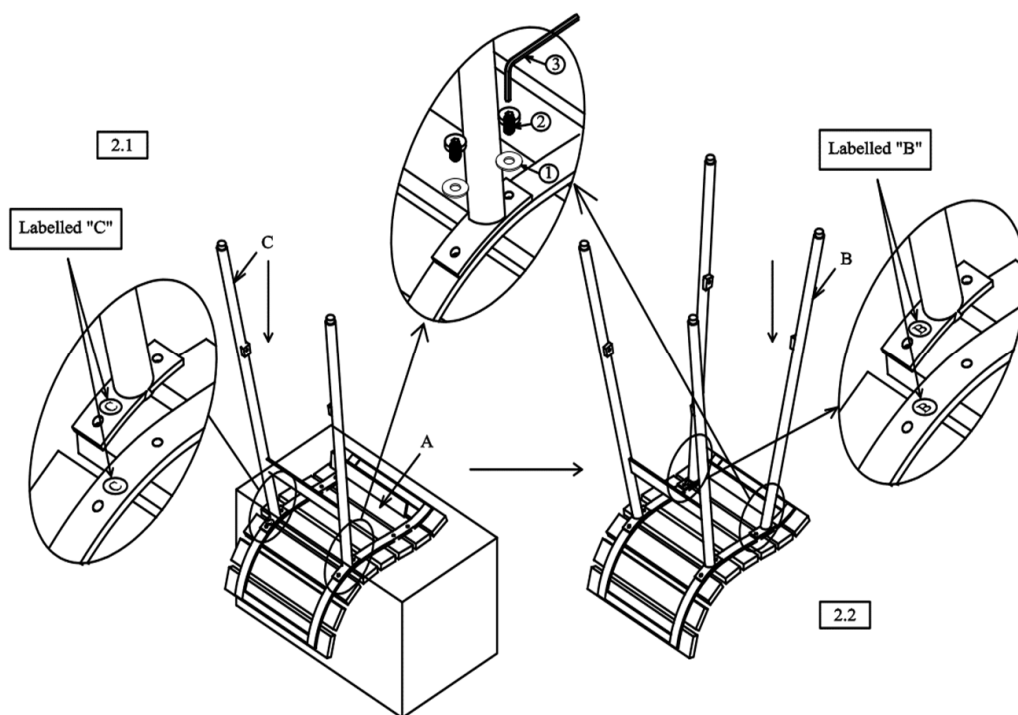
This Barstool has multiple parts and may require up to 30 minutes to assemble. To give you an overview of the Barstool parts, the above picture is to help you put the various parts into perspective. Please read through the instructions below to familiarise yourself with the parts and steps before assembly.

Step 1



Unpack and place all parts on a clean, non-marring surface.

Step 2



2.1) Place the Seat Panel (A) onto the side of a table or a box as shown in above picture.

You will have the Barstool bottom and legs facing skywards.

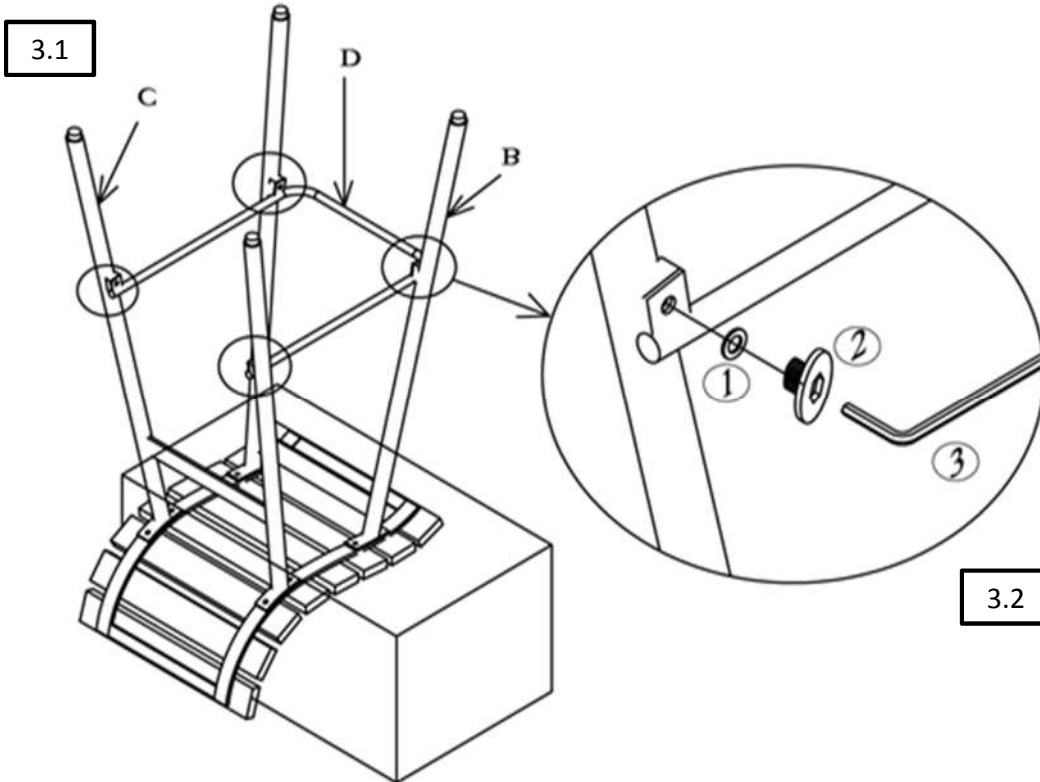
Attach the Back Leg(C) to Seat Panel(A) using Bolts(②), Washers(①) with Allen Key(③) as shown in above picture.

Note: the Labelled "C" on Seat Panel(A) and Back Leg(C) must be in the same side.

2.2) Repeat same process from Step 2.1 to attach Front Leg(B) to Seat Panel(A) as pictured.

Do not fully tighten Bolts.

Step 3

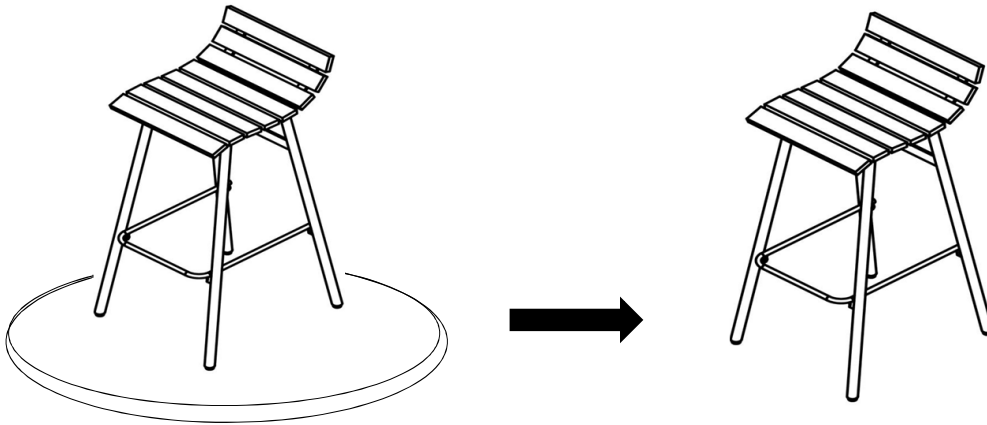


3.1) Align Leg Support Rail(D) to Legs(B,C) as shown in above picture.

3.2) Attach Leg Support Rail(D) to Legs(B,C) using Bolts(②), and Washers(①) with Allen Key(③) as shown in above picture.

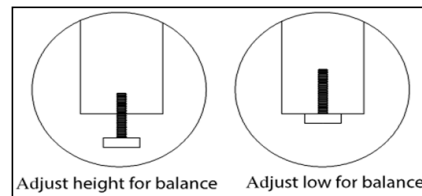
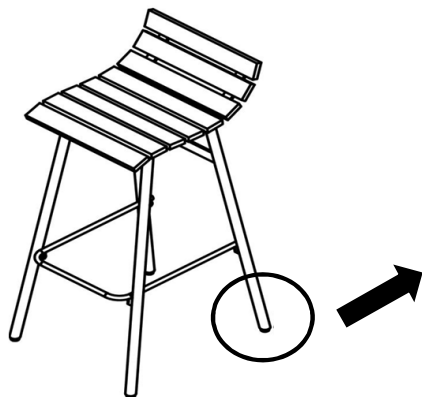
Do not fully tighten Bolts.

Step 4



Stand the Barstool up, with assistance from your adult partner.
Exert pressure floorwards, onto the Barstool with both your hands.
This pressure will help the Legs and Seat reach full alignment status.
Check for wobbles on a LEVEL surface.
If no wobbles are found proceed to tighten Bolts and Screws in a sequential manner, until evenly secured.
When tightening Bolts and Screws tighten sequentially.
Do not tighten any Bolt and Screw fully and then move on towards the next one.
If there are still wobbles, loosen Bolts and Screws and execute the same above process.











Step 5



Adjust Pre-installed Levellers
height for balance

With assistance from your adult partners, adjust the Levellers to desired height to avoid wobbles.
Your Barstool is ready for use.
This Barstool can only be used on a flat, level surface.

Care & Maintenance

- ⊘  • Prolonged exposure to rain may cause rusting which can stain floors.
- ⊘  • Do not put hot items directly on furniture surface.
- ⊘  • Do not clean furniture with harsh cleansers or polish.
- ✓  • To obtain the longest lifespan of your outdoor products, minimizing exposure to direct sunlight is recommended.
- ⊘  • Children should not climb or jump on the furniture.
- ⊘  • Do not write on furniture without a padded barrier to protect the surface.
- ✓  • To obtain the longest lifespan of your outdoor products, avoid extended and lengthy exposure to rain, snow, and direct sunshine. Whenever possible cover the product and /or place under patio or awnings.
- ⊘  • Not for commercial use. For residential use only.
- ⊘  • Stains may be removed with mild soap solution and damp cloth.
- ✓  • Dust and pick-up spills using a clean, non-colored, lint-free cloth.