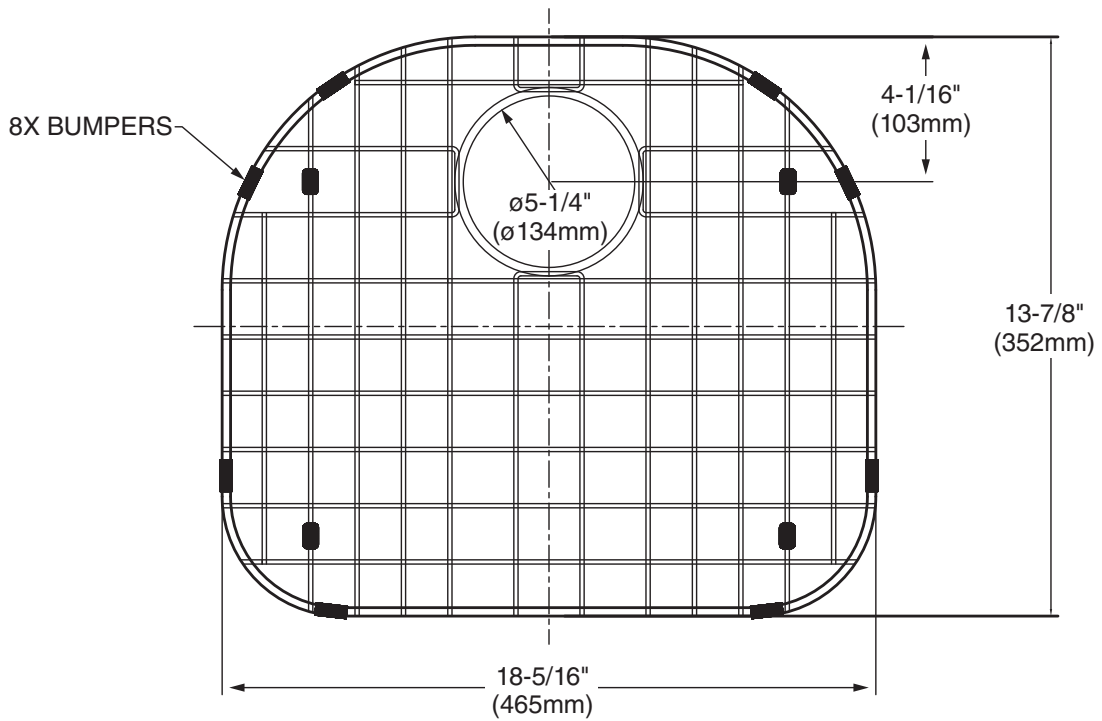
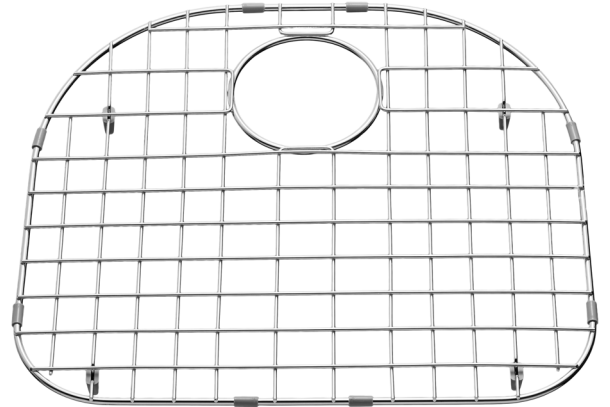


STAINLESS STEEL KITCHEN SINK BOTTOM GRID

- ☐ Polished stainless with coordinating plastic feet and side bumpers
  - For use with 18SB.9232100S.075 Kitchen Sink

**Nominal Dimensions:**  
18-5/16" x 13-7/8" x 1"  
(465 x 353 x 25mm)

**IMPORTANT:** These measurements are subject to change or cancellation. No responsibility is assumed for use of superseded or voided leaflet.



To Be Specified: