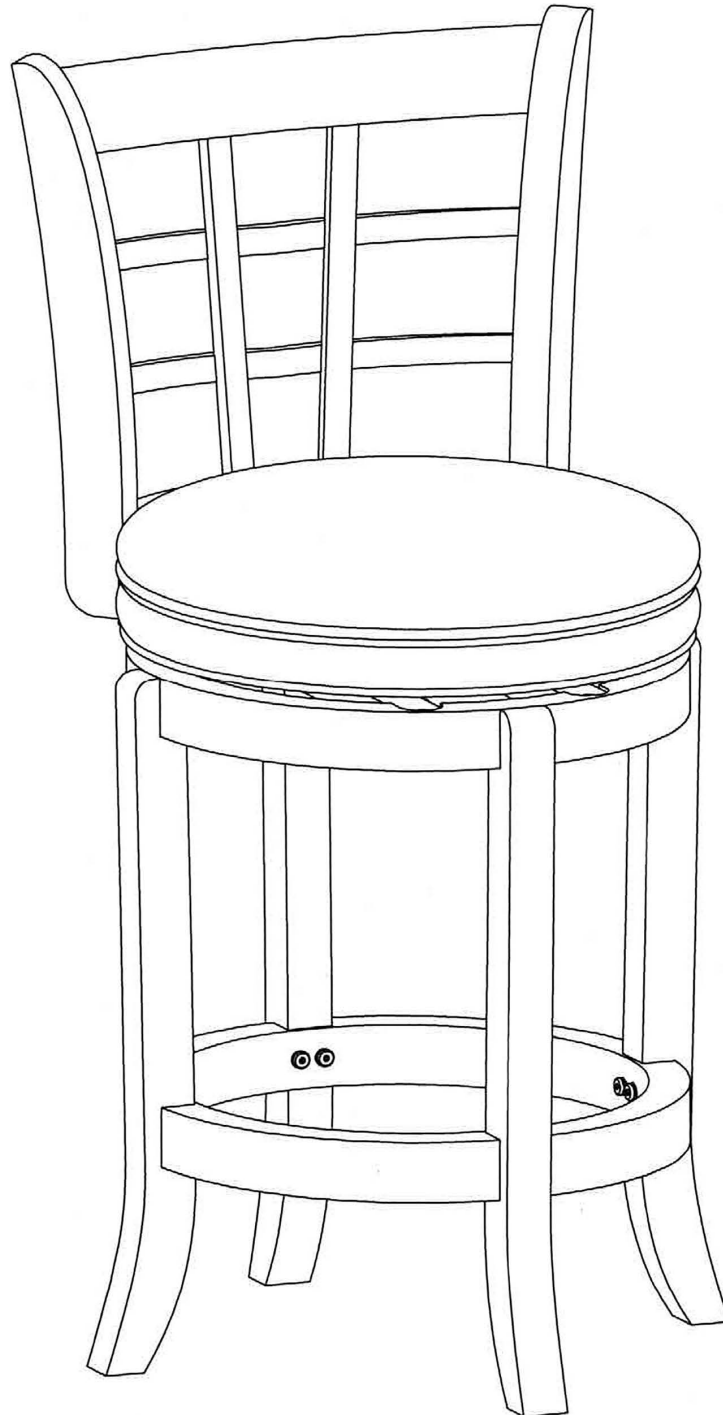


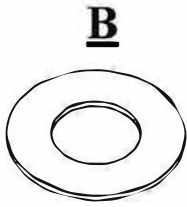
ASSEMBLY INSTRUCTIONS

KYOTO SWIVEL STOOL

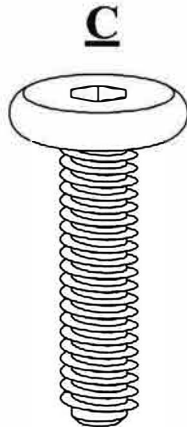




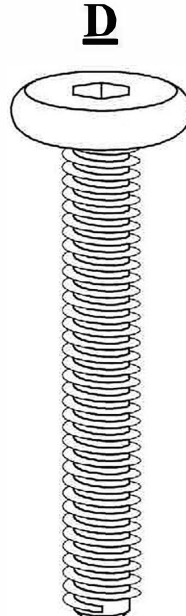
22 PCS



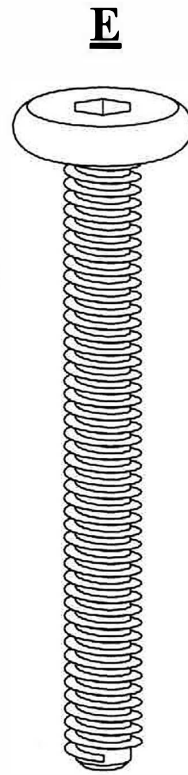
26 PCS



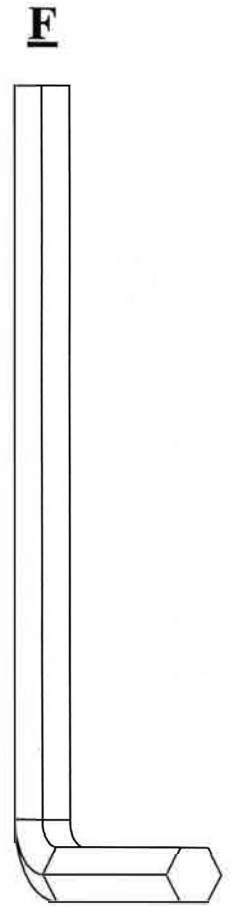
4 PCS



16 PCS

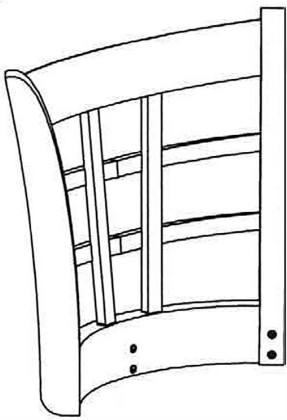


6 PCS

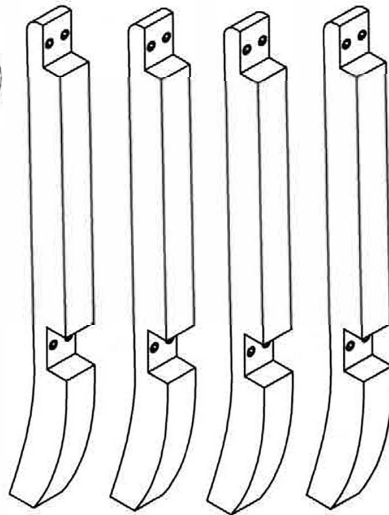


1 PC

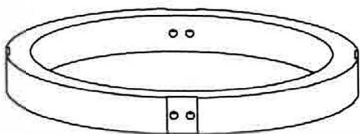
1



2



3



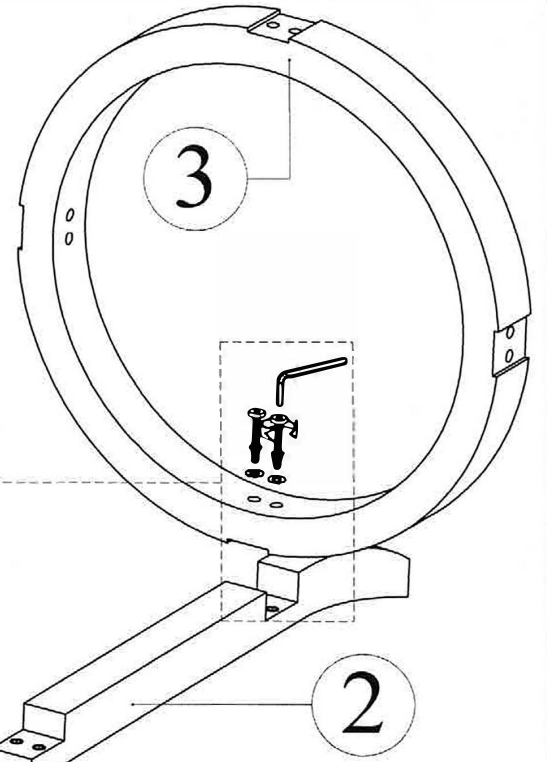
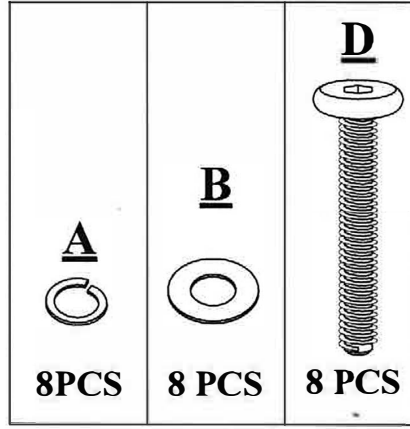
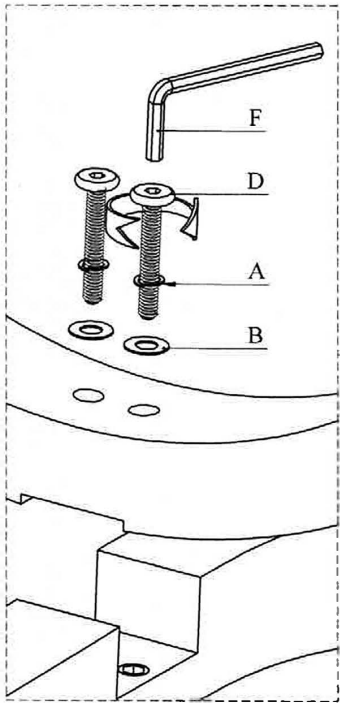
4



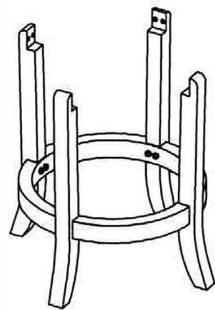
5



01

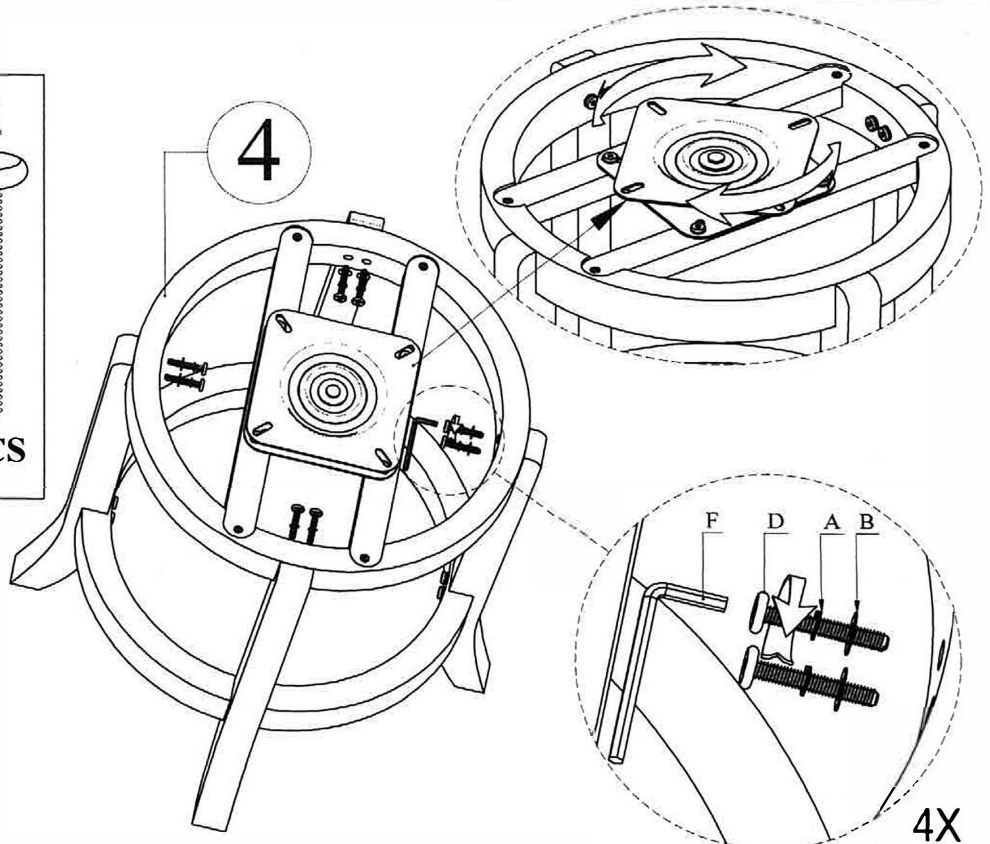
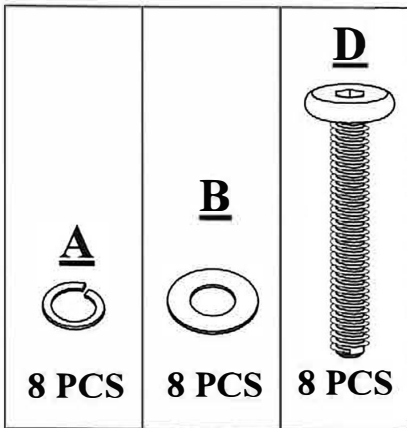


4X



DO NOT TIGHTEN BOLT COMPLETELY.

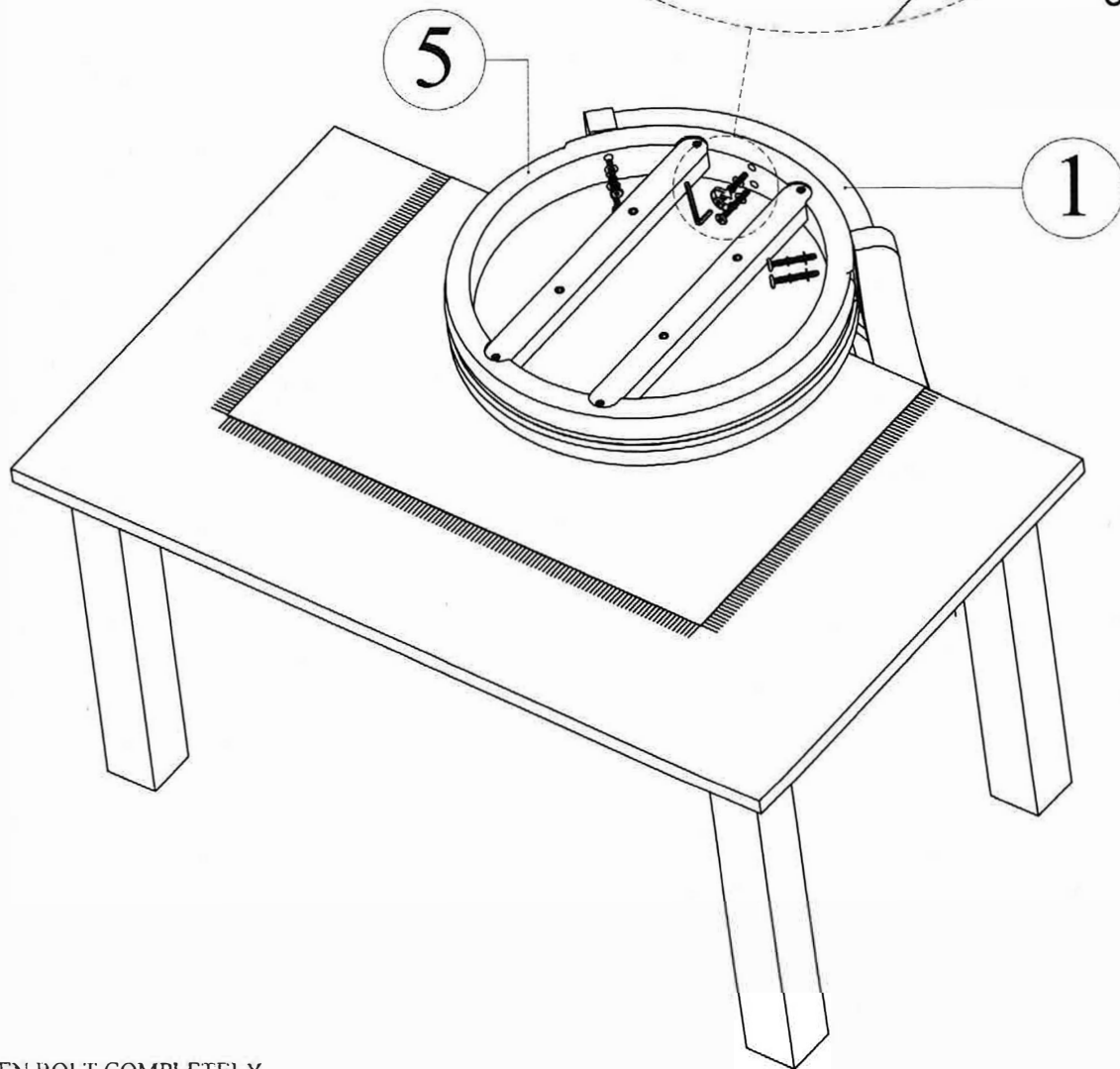
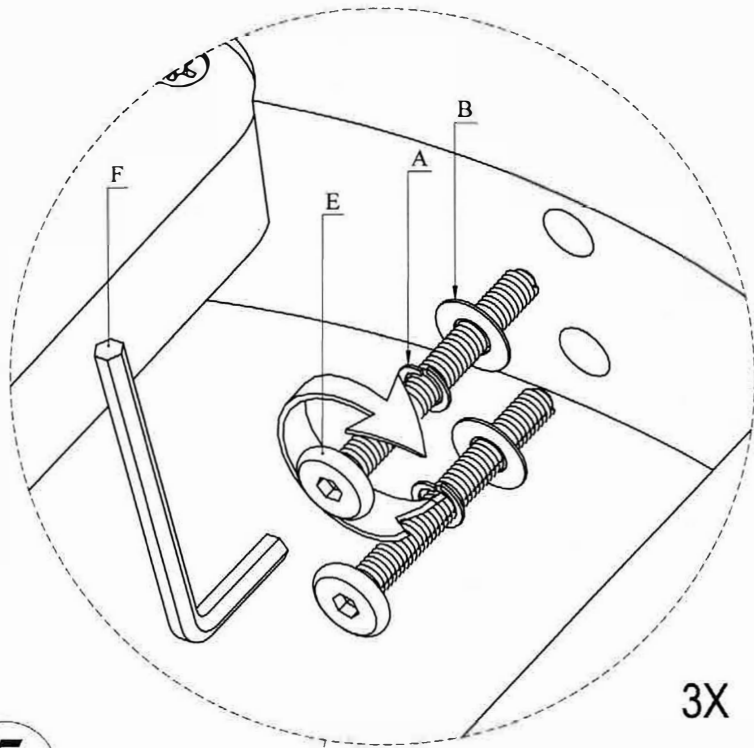
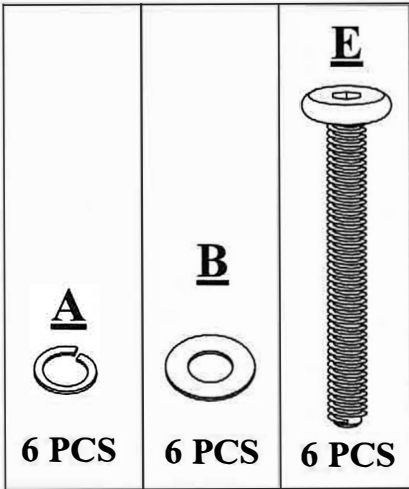
02



TIGHTEN BOLT COMPLETELY.

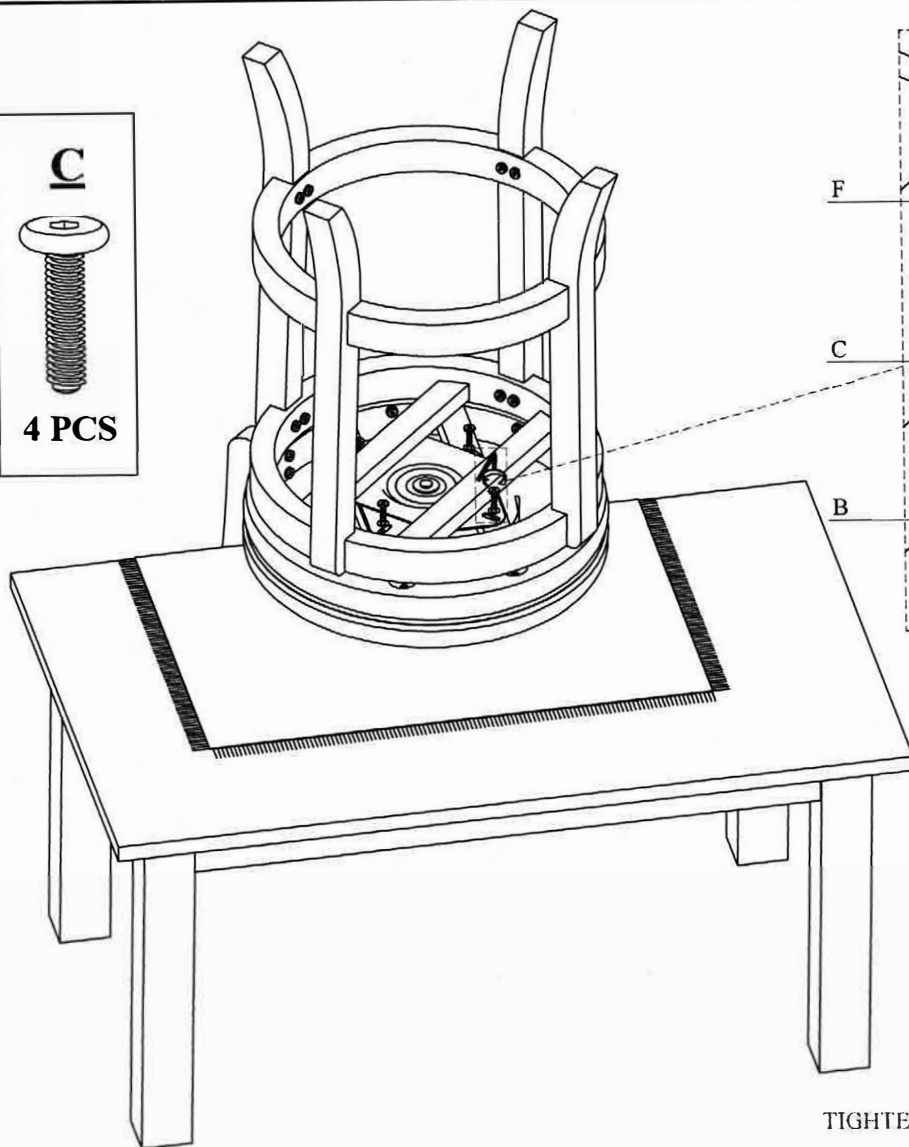
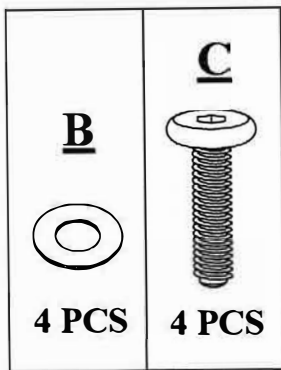
4X

03

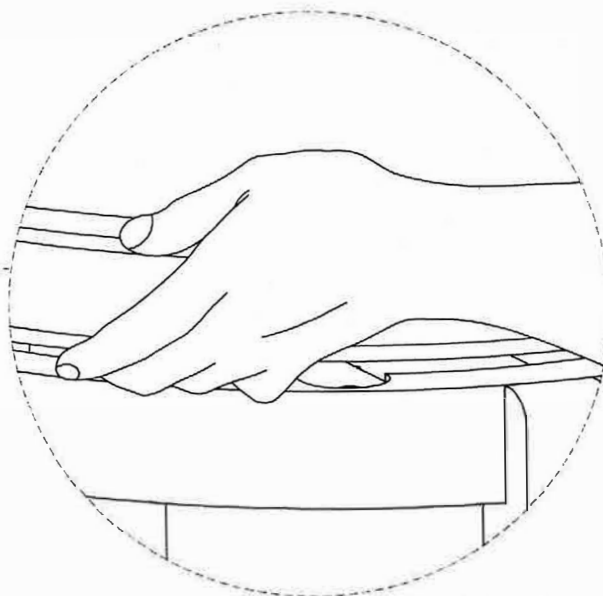


TIGHTEN BOLT COMPLETELY.

04



TIGHTEN BOLT COMPLETELY.



BE SURE TO CHECK ALL BOLTS ARE SECURELY TIGHTENED PRIOR USING THIS STOOL.