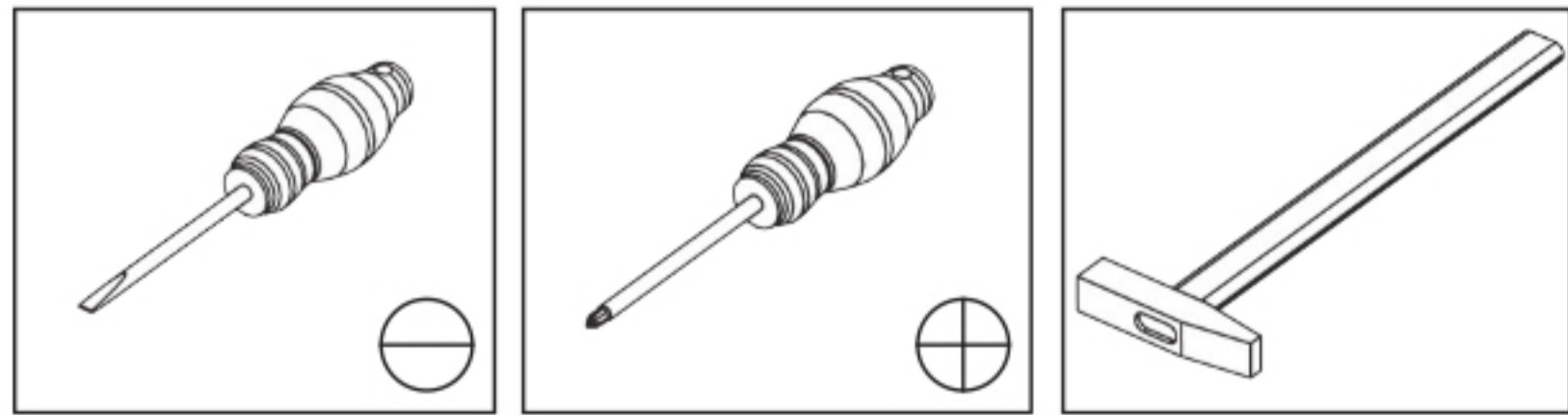
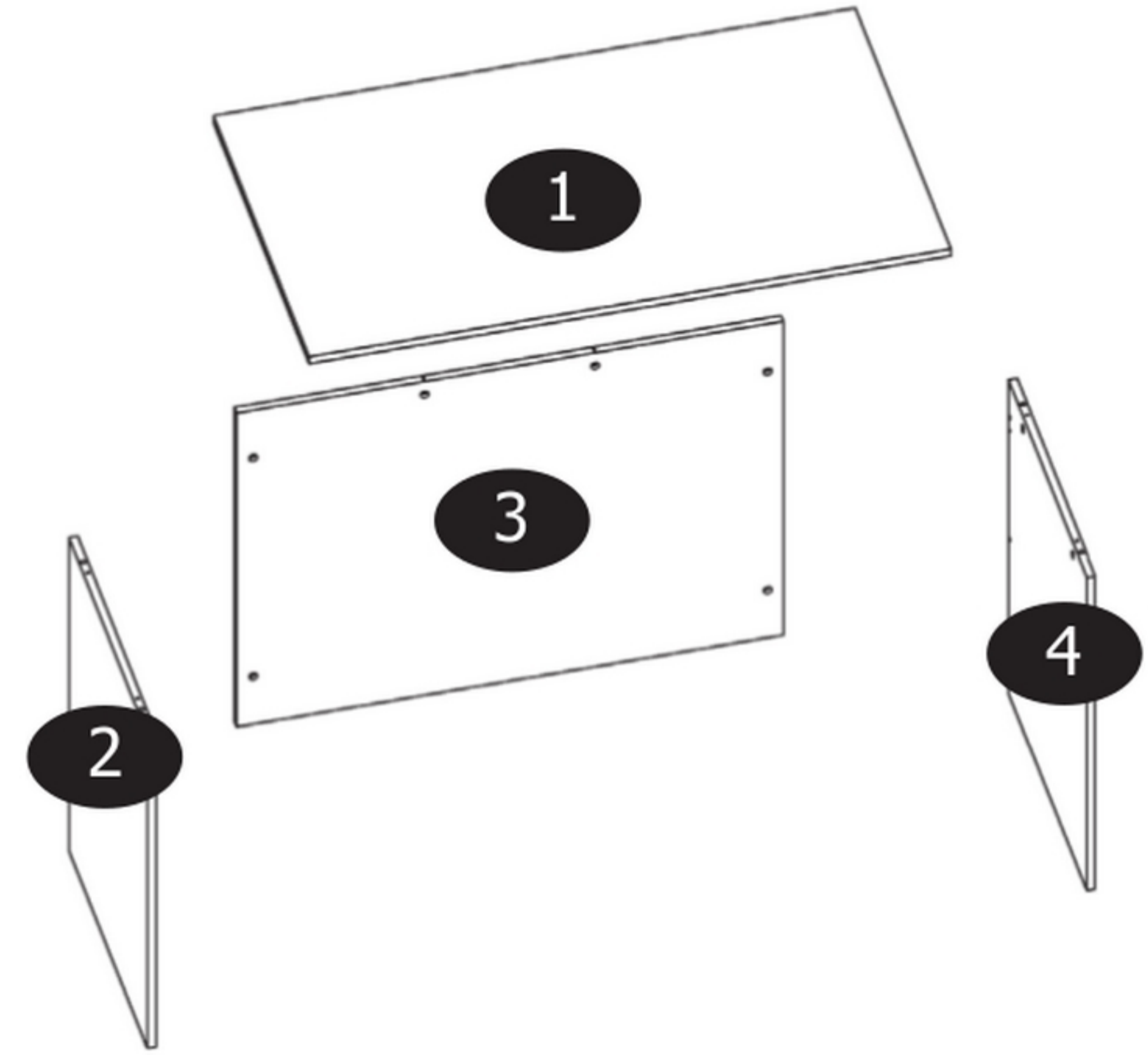
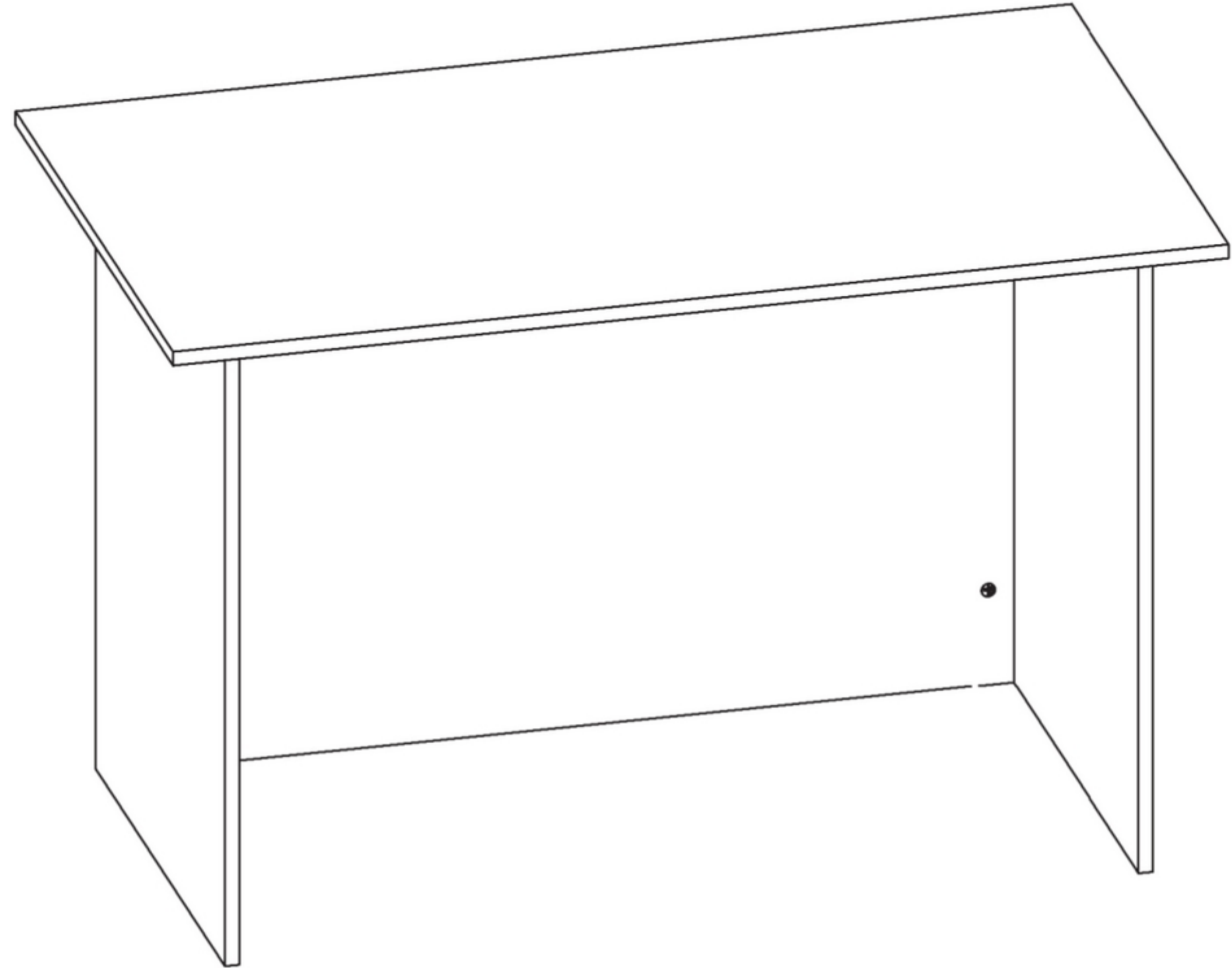
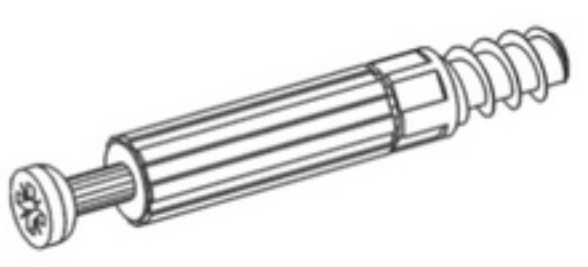
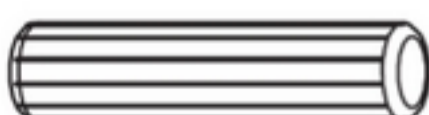

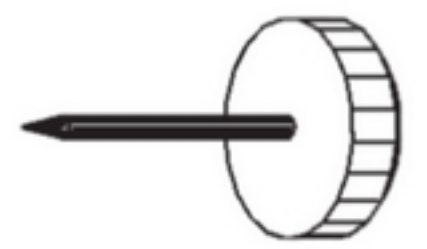
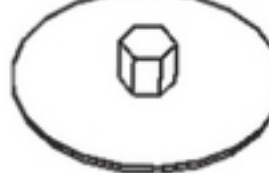


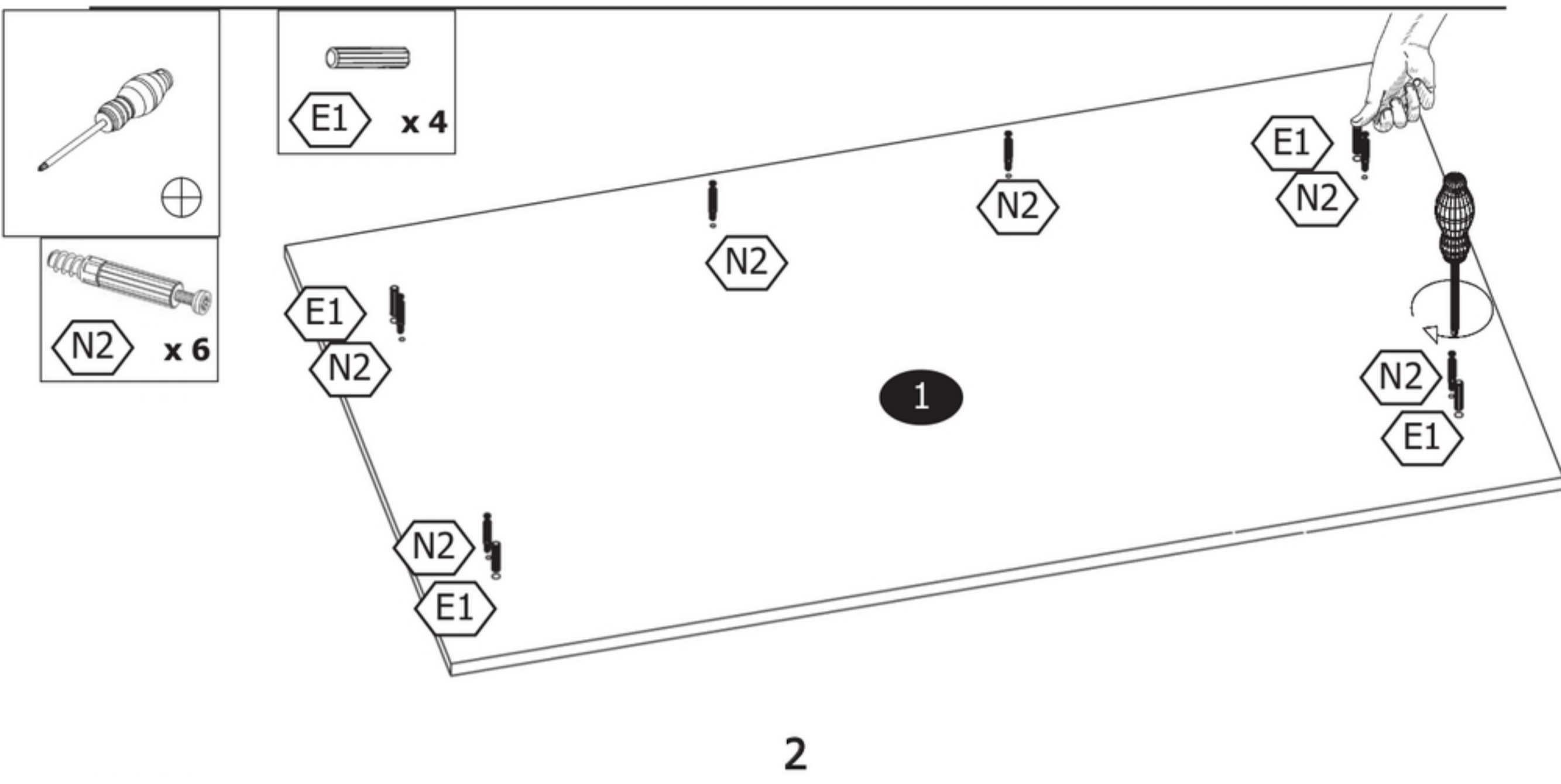
BS



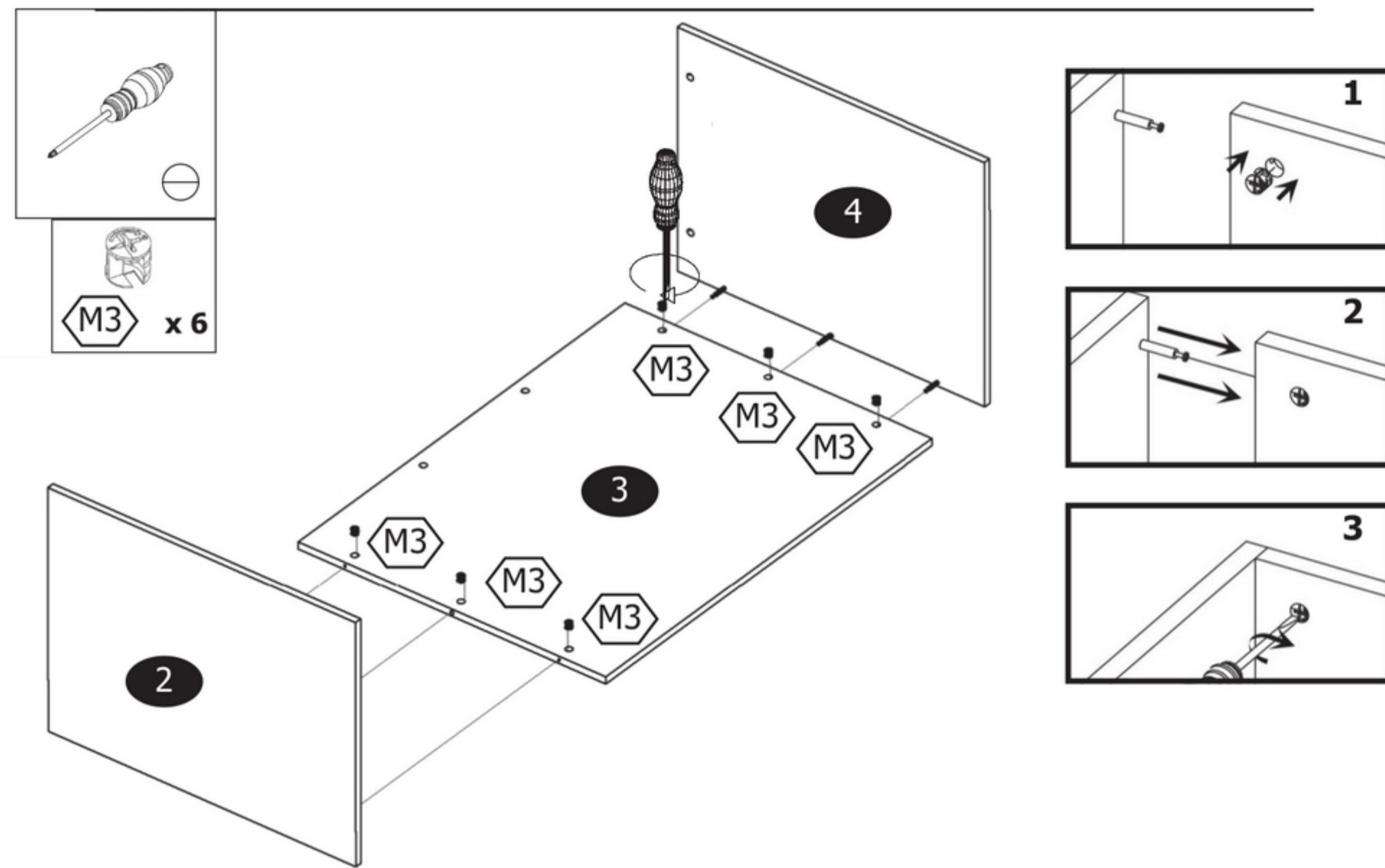
 x12	 x4	 x12
 x6	 x12	

- 1 x1**
- 2 x1**
- 3 x1**
- 4 x1**

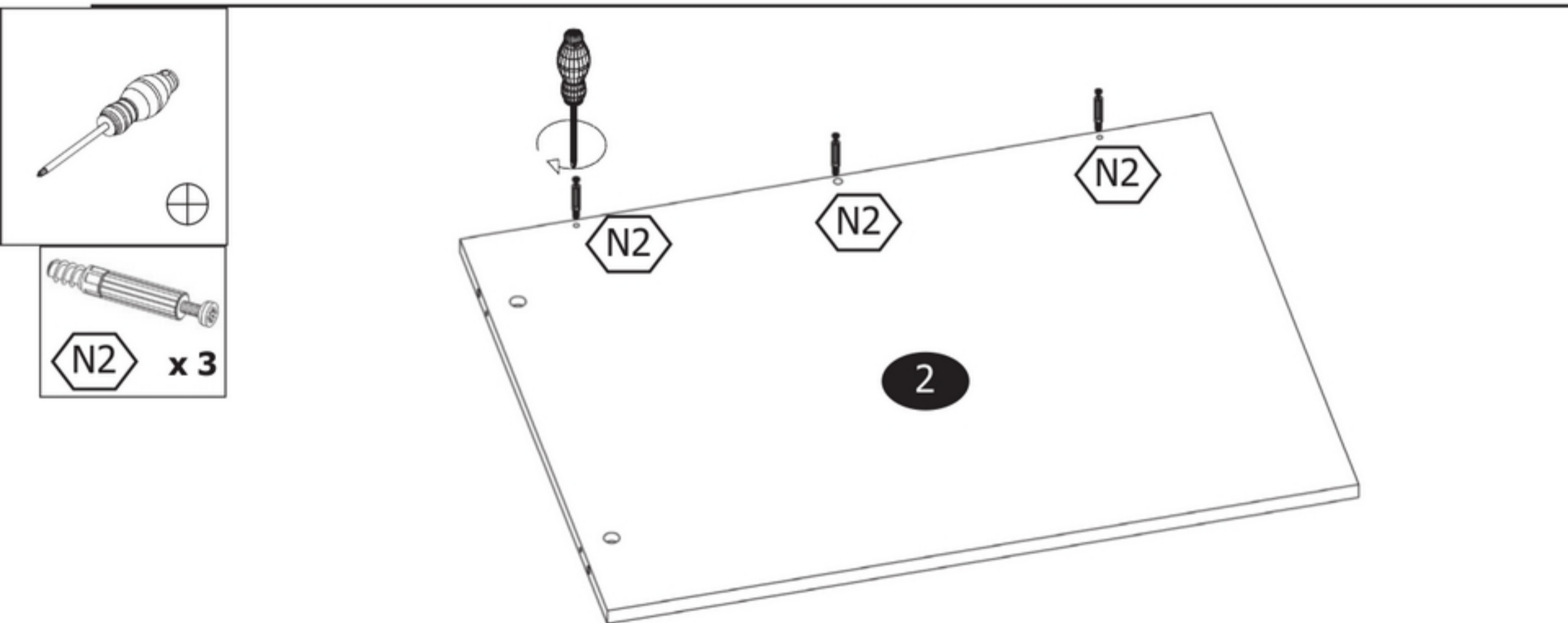
1



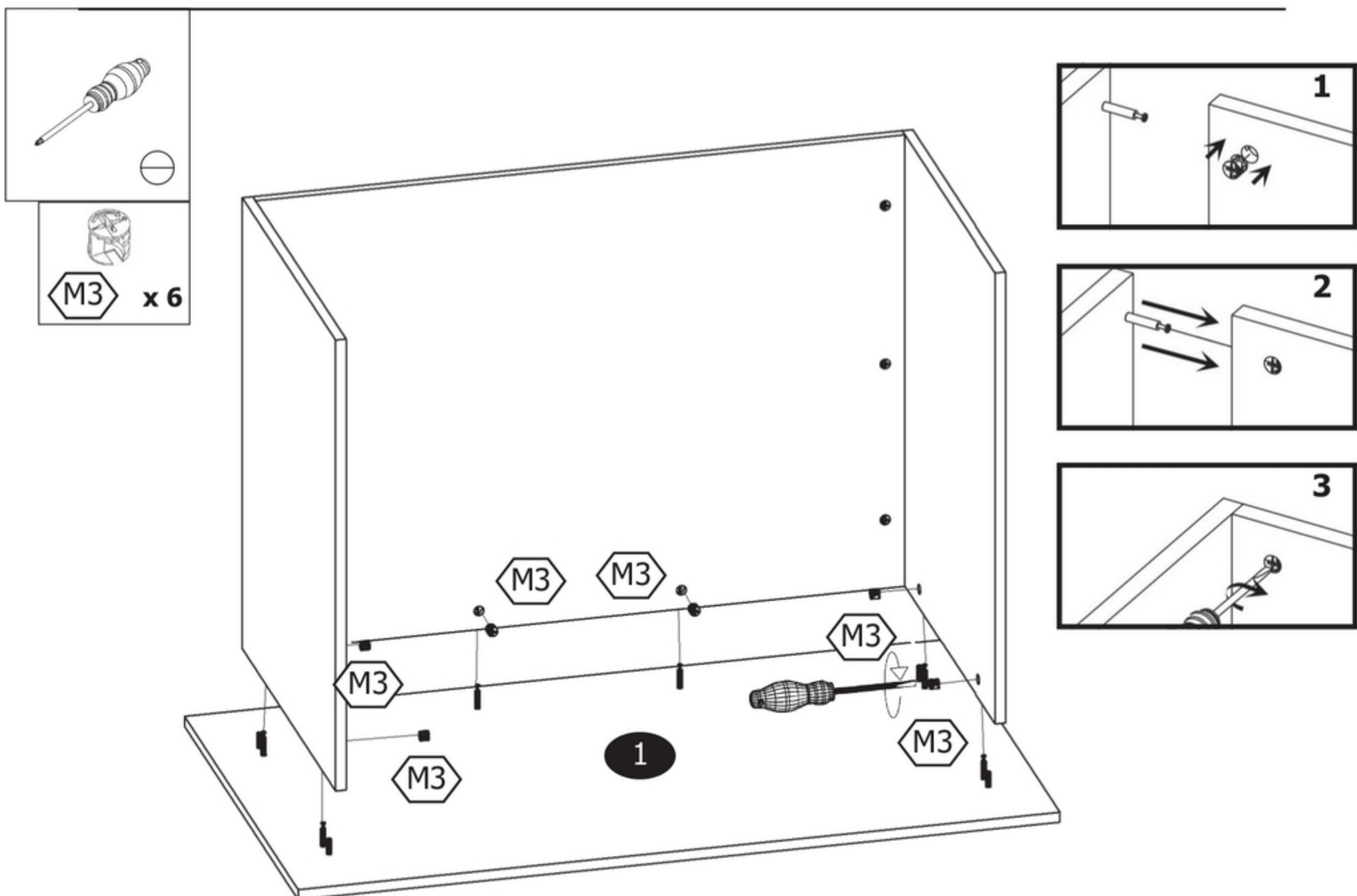
4



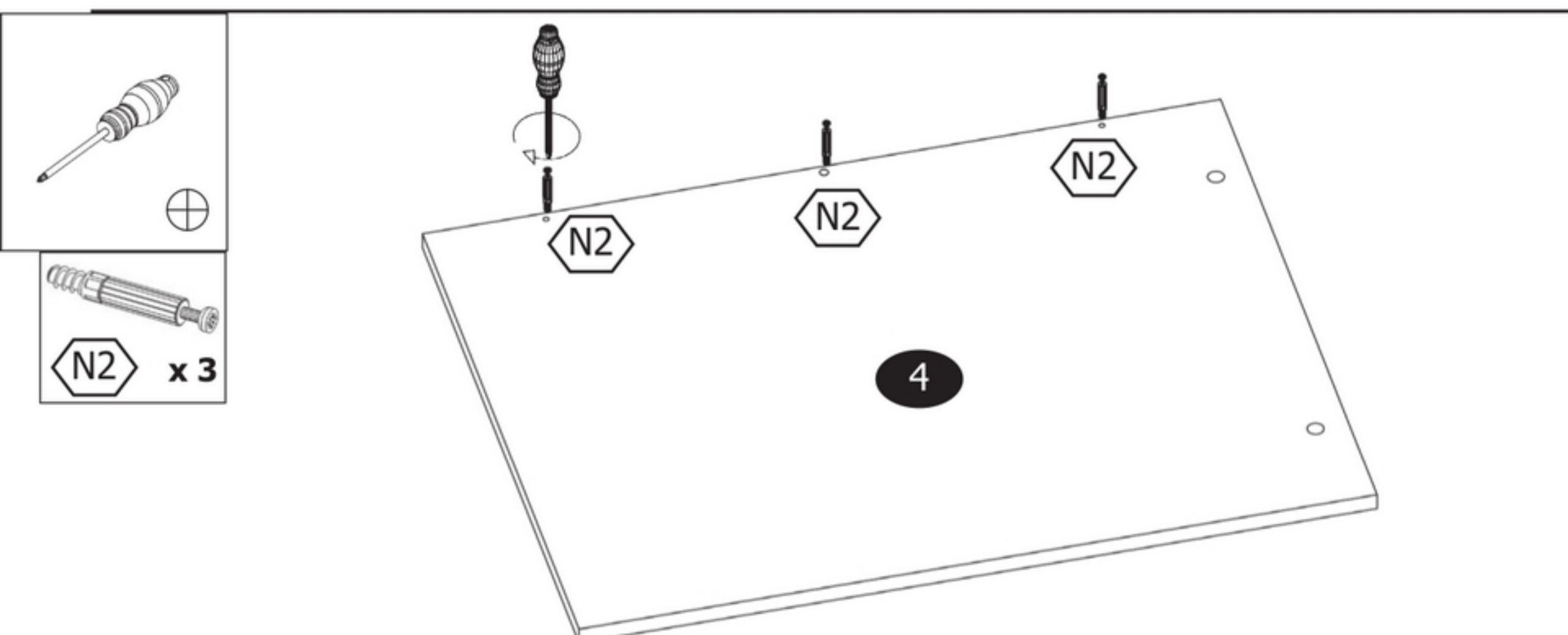
2



5



3



4

