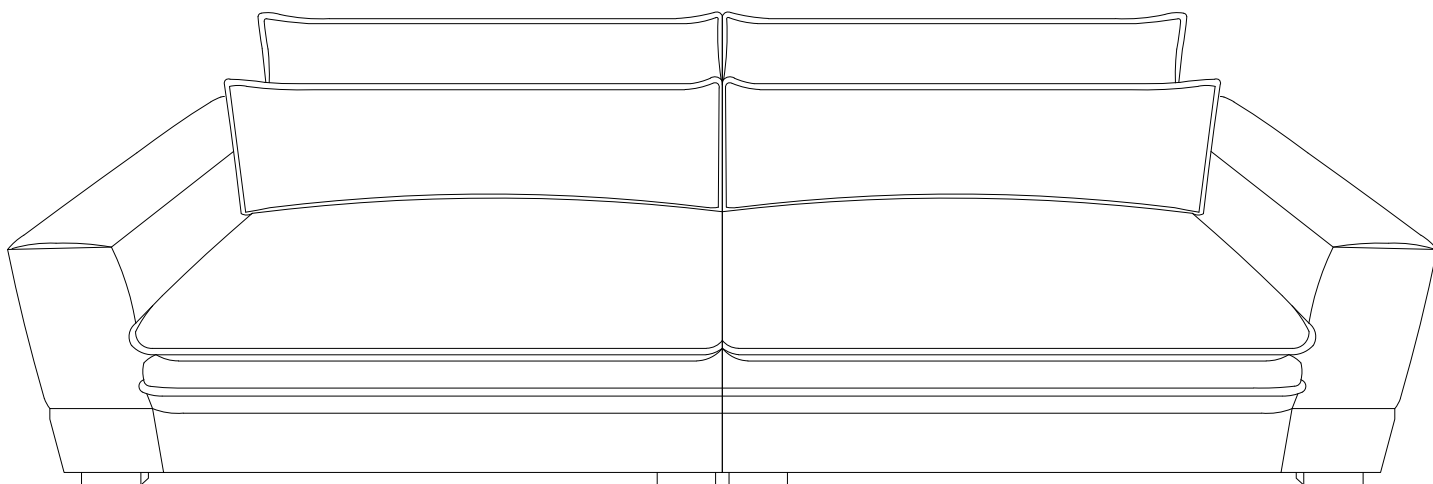
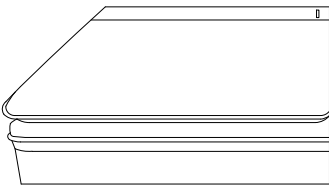
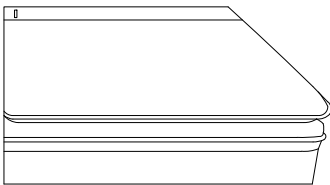
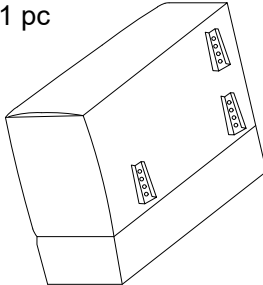
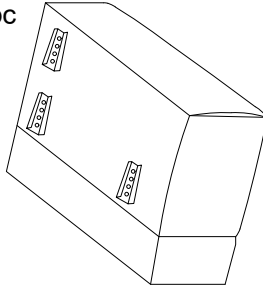
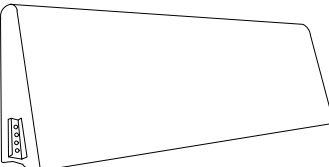
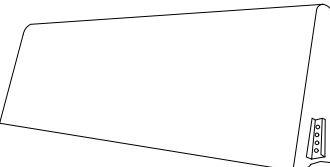
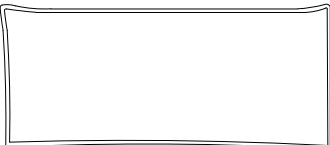

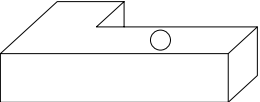
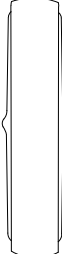
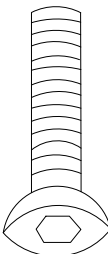

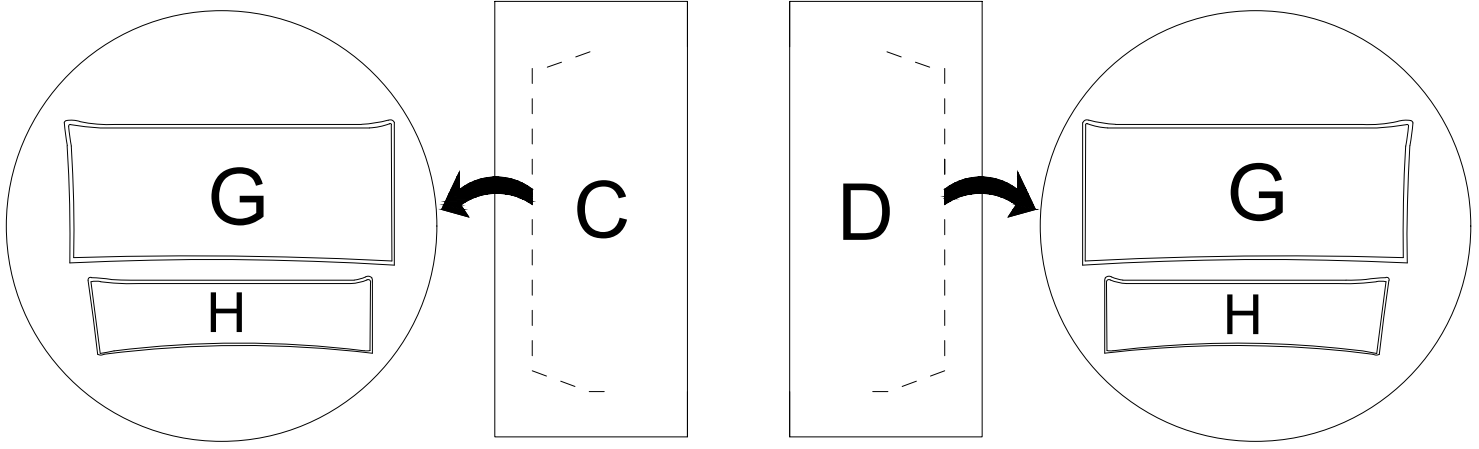


ASSEMBLY INSTRUCTION

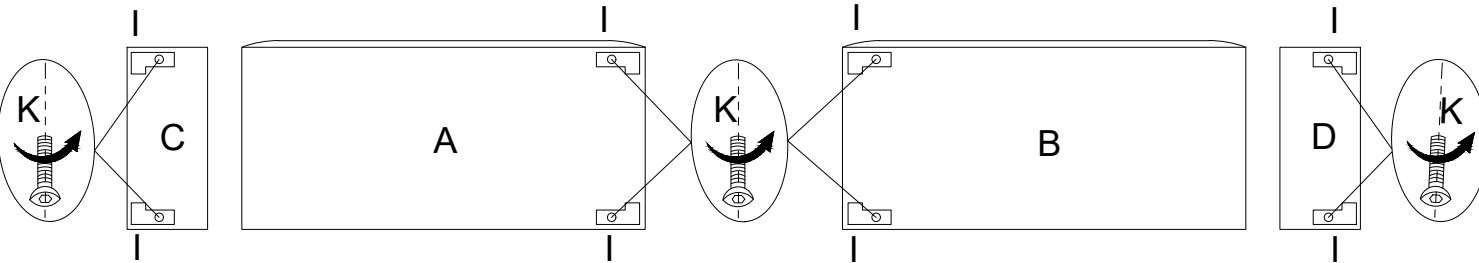


<p>A:Left Seat 1 pc</p> 	<p>B:Right Seat 1 pc</p> 	<p>C:Left Armrest 1 pc</p> 	<p>D:Right Armrest 1 pc</p> 
<p>E:Left Backrest 1 pc</p> 	<p>F:Right Backrest 1 pc</p> 	<p>G:Back Cushion 2 pcs</p> 	<p>H:Pillow 2 pcs</p> 
<p>I:Leg 8 pcs</p> 	<p>J:Hardware 2 pcs</p> 	<p>K:Screw 8 pcs</p> 	<p>L:Allen Key 1 pc</p> 

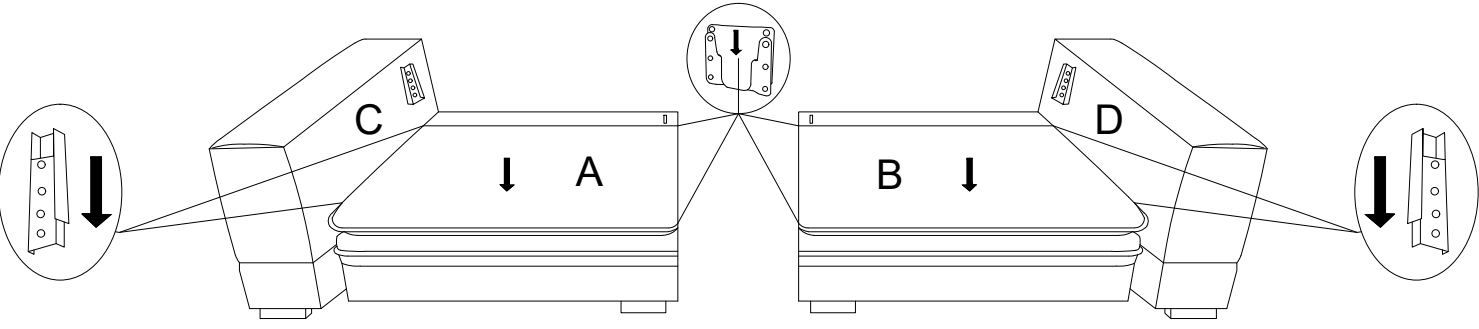
STEP 1: Open the zipper under the arm and take out the cushion and pillow



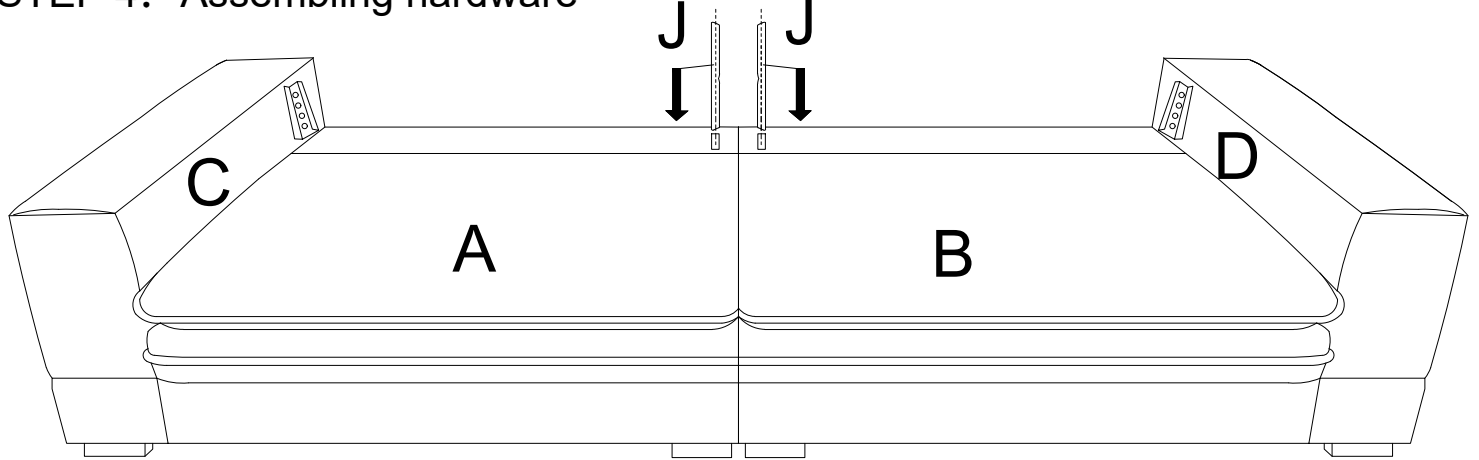
STEP 2: Assembly legs



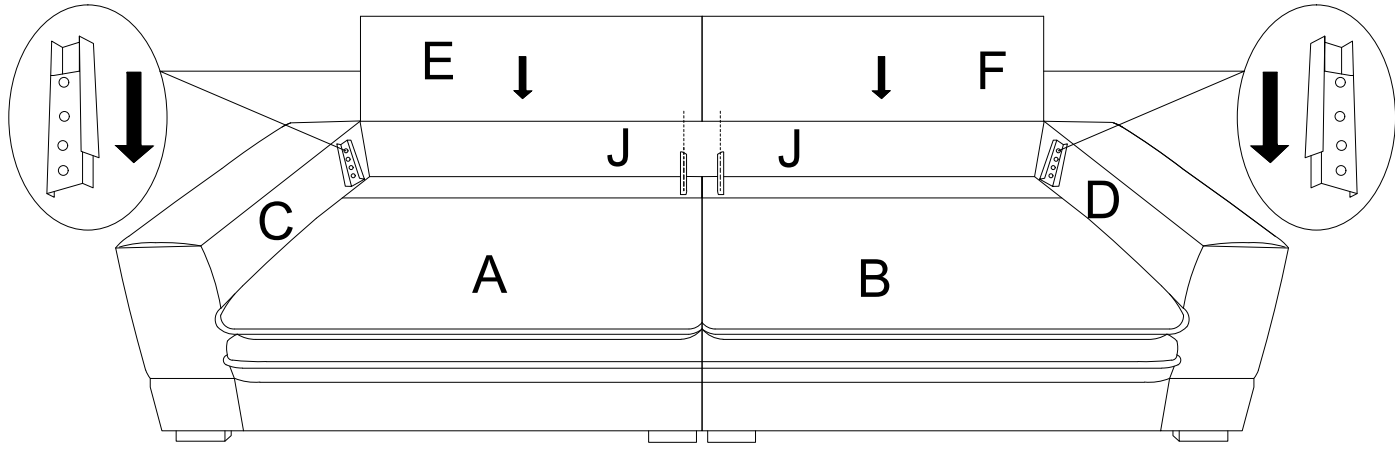
STEP 3: Assemble the armrest to the seat and connect the left and right parts



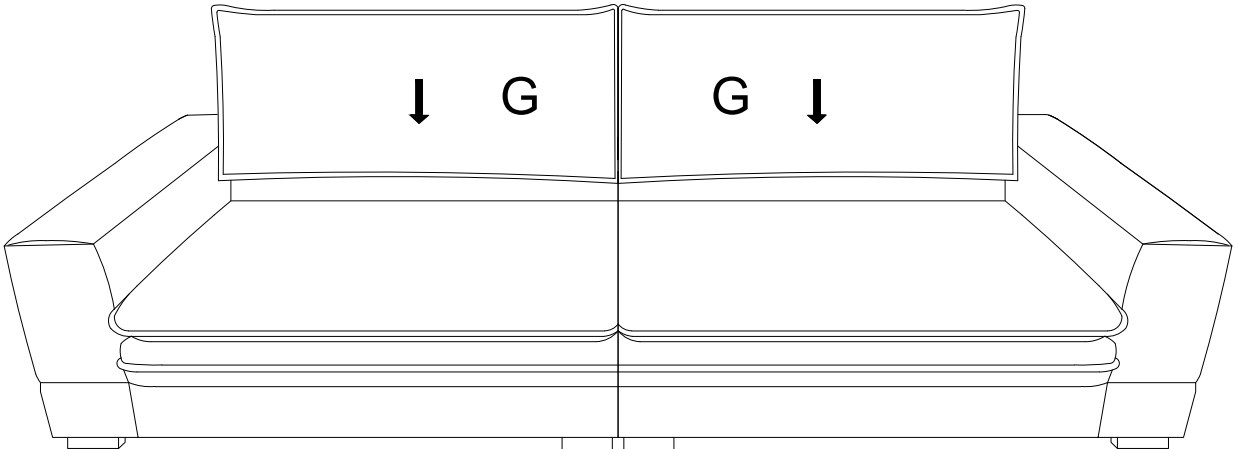
STEP 4: Assembling hardware



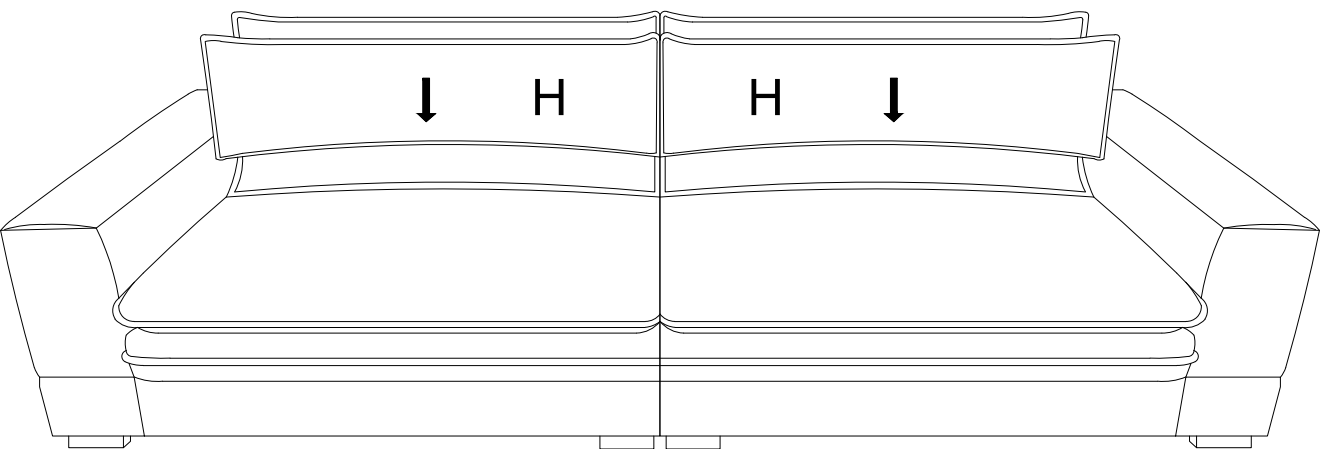
STEP 5: Assembling backrest



STEP 6: Placing back cushions



STEP 7: Placing pillows



STEP 8: Assembly completed

