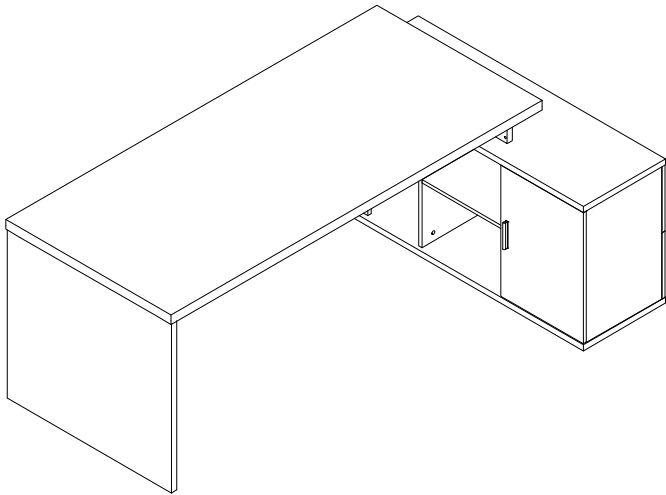
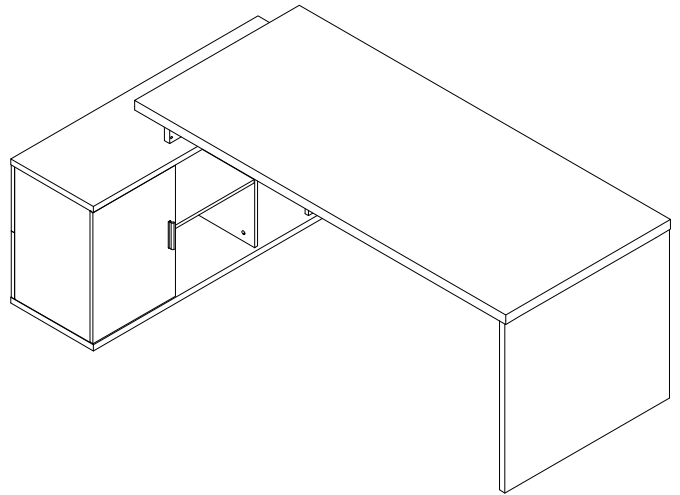


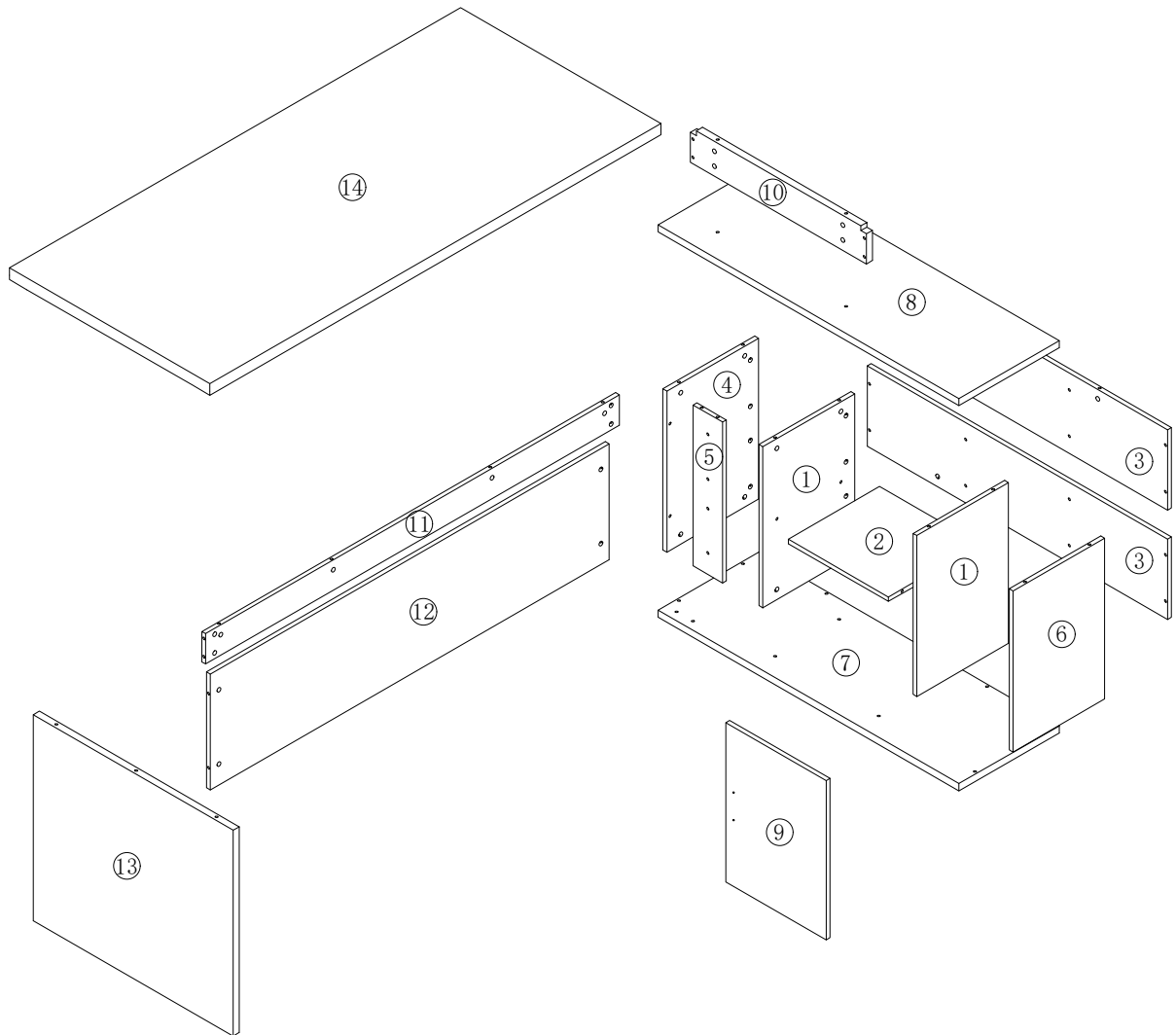
ASSEMBLY INSTRUCTION



Attention, please! The installation steps for the left direction are completed from step 1 to step 13.



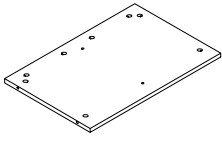
Attention, please! The installation steps for the right direction are completed from step 1 to step 9, and steps 14 to 18.



ASSEMBLY INSTRUCTION

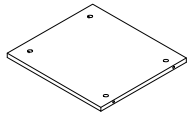
①

2PCS



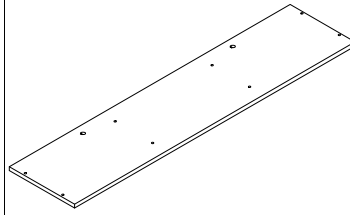
②

1PC



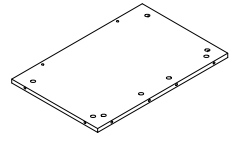
③

2PCS



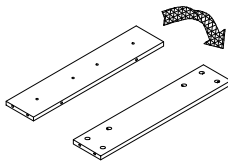
④

1PC



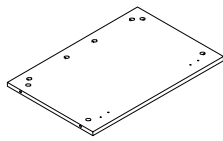
⑤

1PC



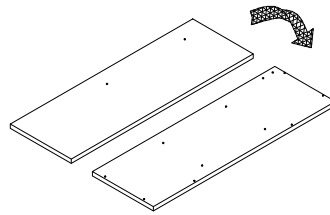
⑥

1PC



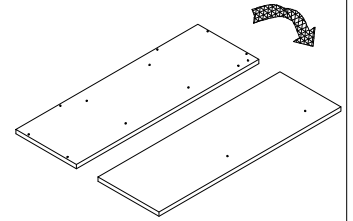
⑦

1PC



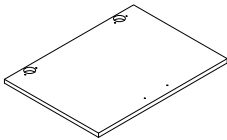
⑧

1PC



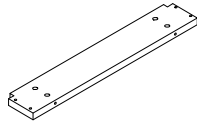
⑨

1PC



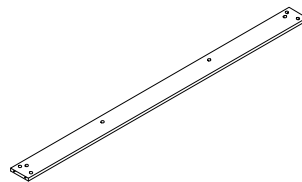
⑩

1PC



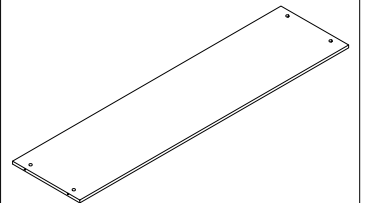
⑪

1PC



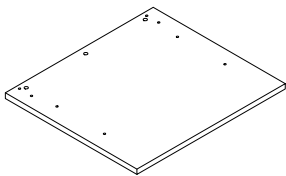
⑫

1PC



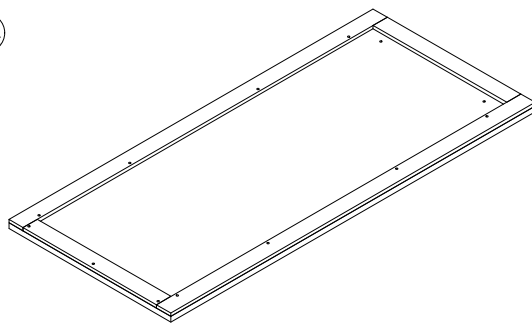
⑬

1PC

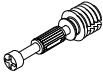


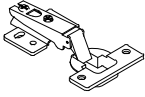
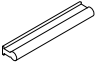






⑭

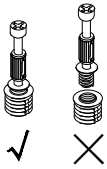
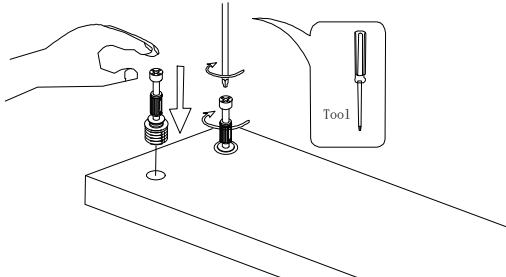
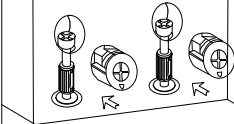
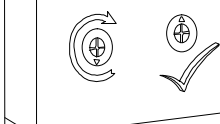
1PC



ASSEMBLY INSTRUCTION


<p>A 65PCS</p>  <p>M6*40</p>	<p>B 65PCS</p>  <p>Ø15*9.5</p>	<p>C 12PCS</p>  <p>Ø3.5*14</p>	<p>D 2PCS</p> 
<p>E 1set</p>  <p>96#</p>  <p>M4*18</p>	<p>F 12PCS</p> 	<p>G 60PCS</p> 	

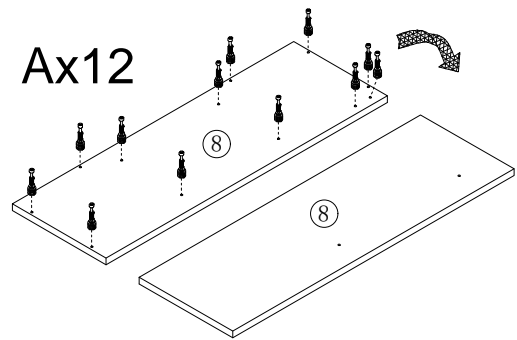
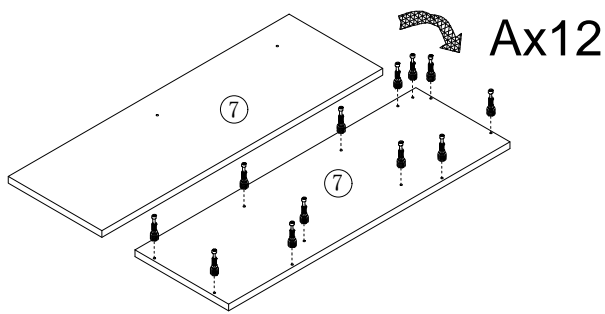
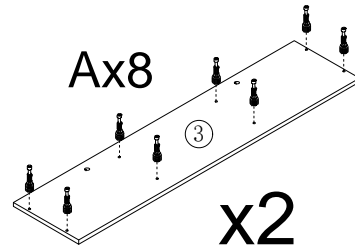
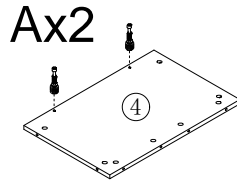
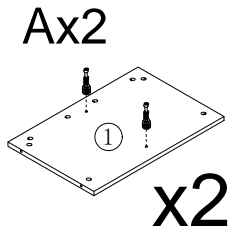
"A" Hardware installation example

<p>I</p>  <p>This part cannot be separated, please install in strict accordance with the assembly requirements</p>	<p>II</p> 
<p>III</p> 	<p>IV</p> 


ASSEMBLY INSTRUCTION

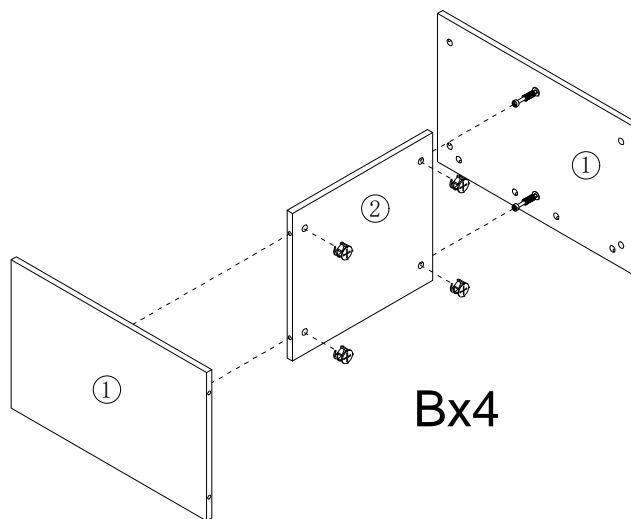
Step 1

A 46PCS

M6*40




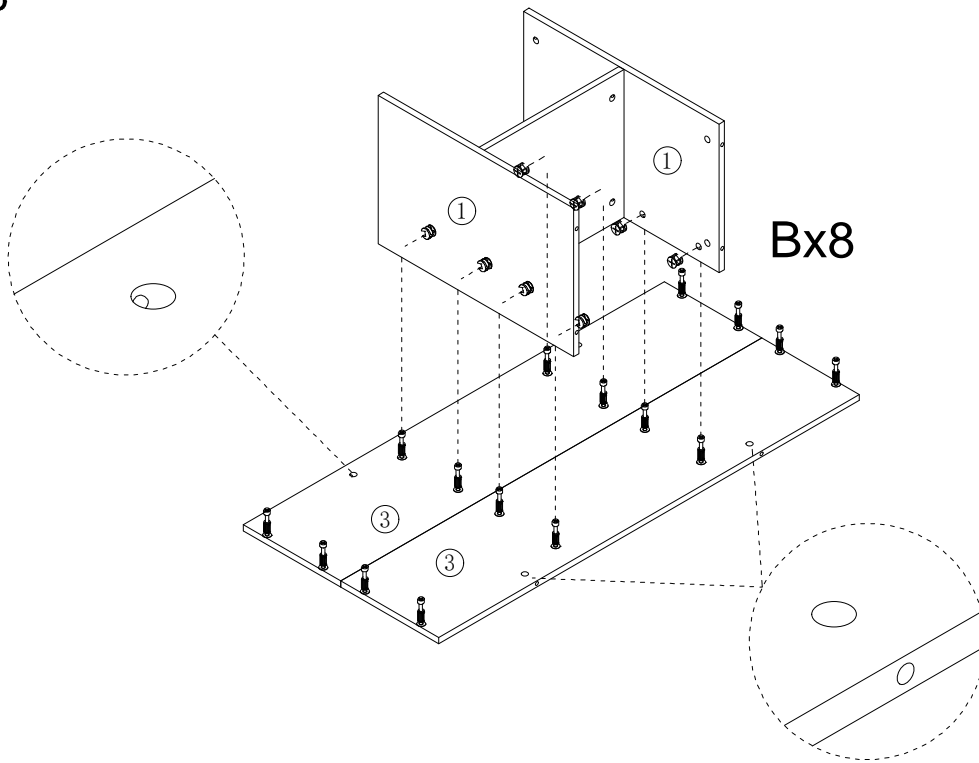
Step 2

B 4PCS

Ø15*9.5




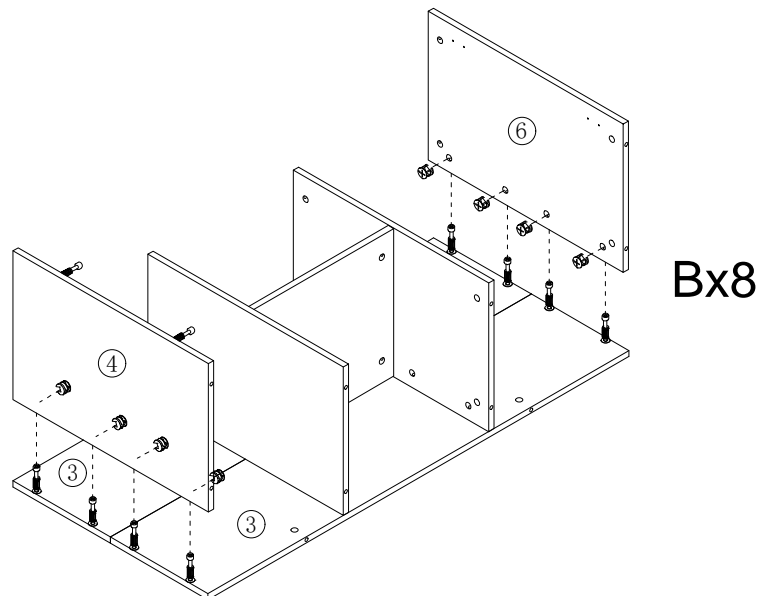
Step 3

B 8PCS

Ø15*9.5




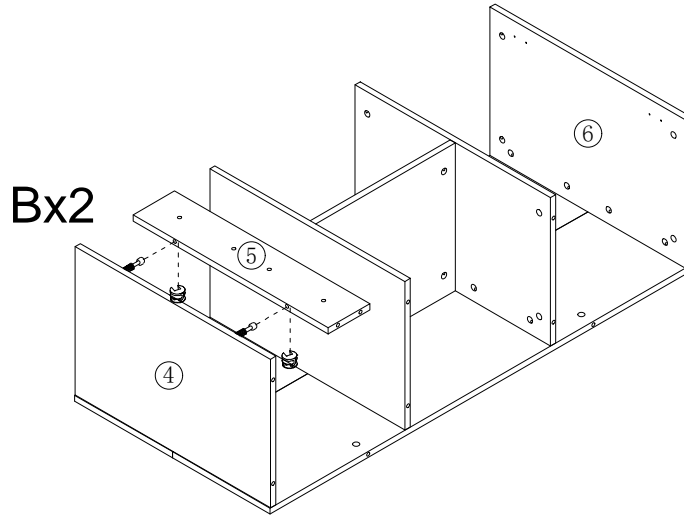
Step 4

B 8PCS

Ø15*9.5




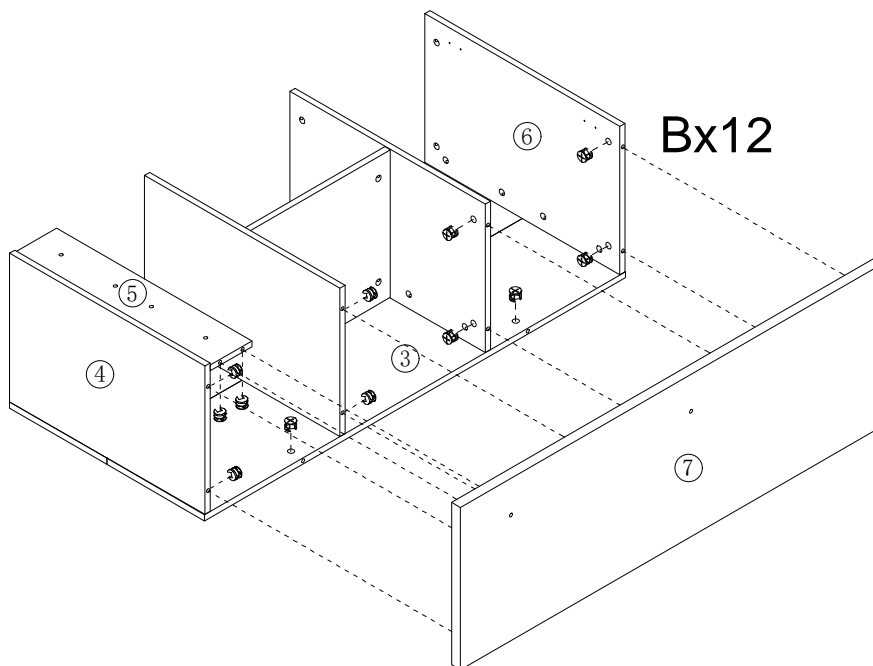
Step 5

B 2PCS

Ø15*9.5




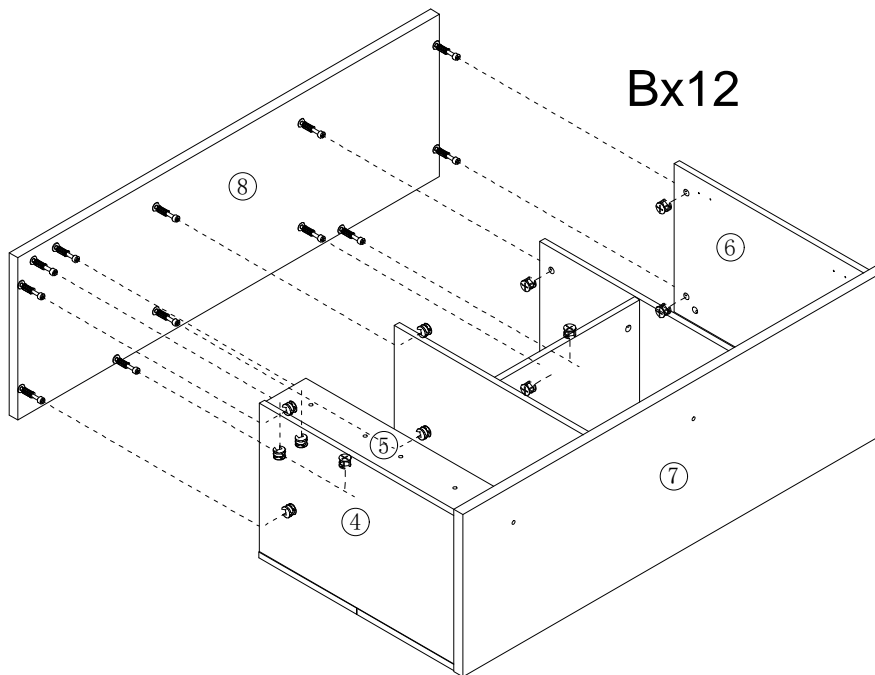
Step 6

B 12PCS

Ø15*9.5





Step 7


B 12PCS

Ø15*9.5

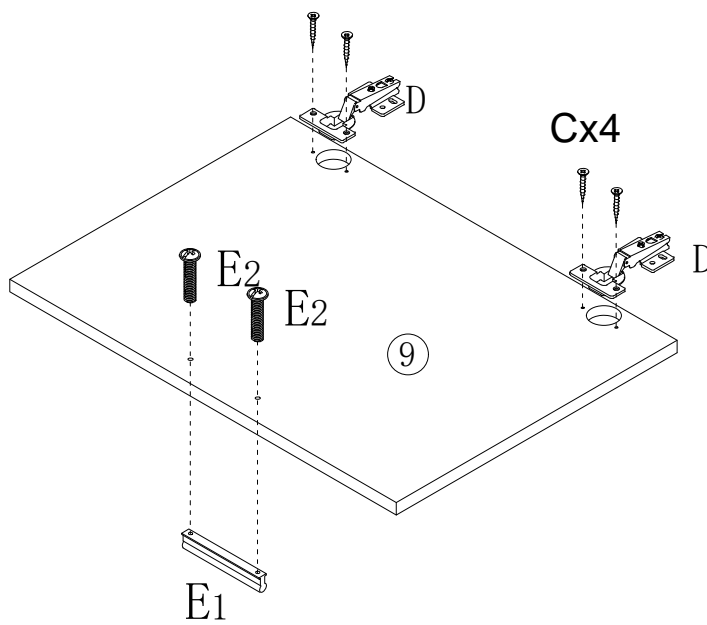


Step 8


C 4PCS

Ø3.5*14

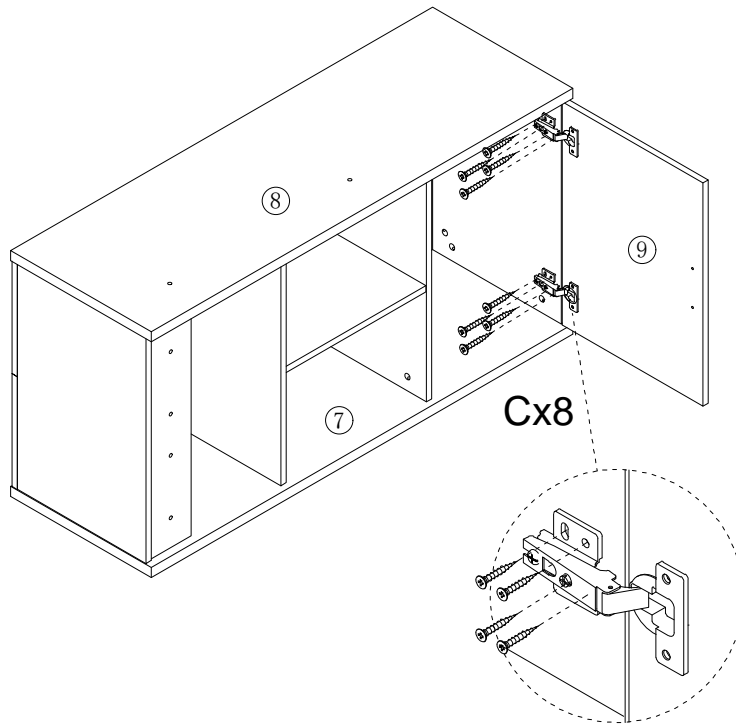
E 1set

96# M4*18

D 2PCS






Step 9

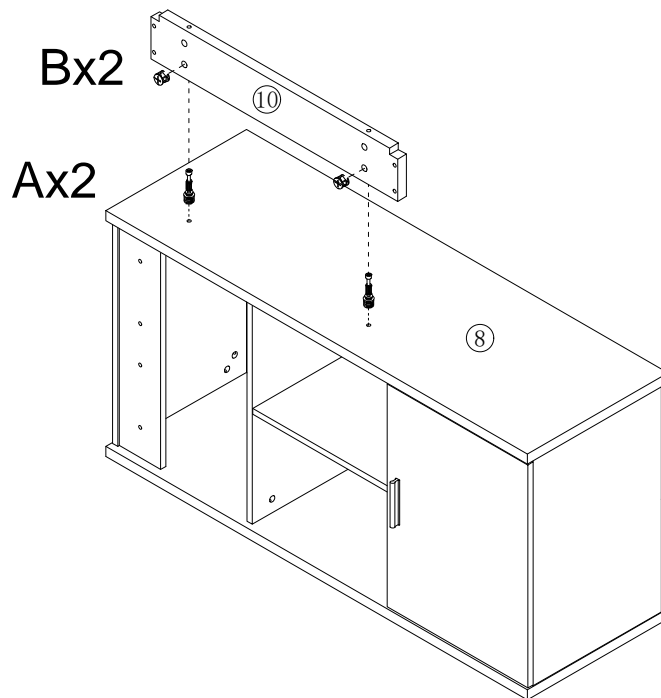
C 8PCS

Ø3.5*14




Step 10

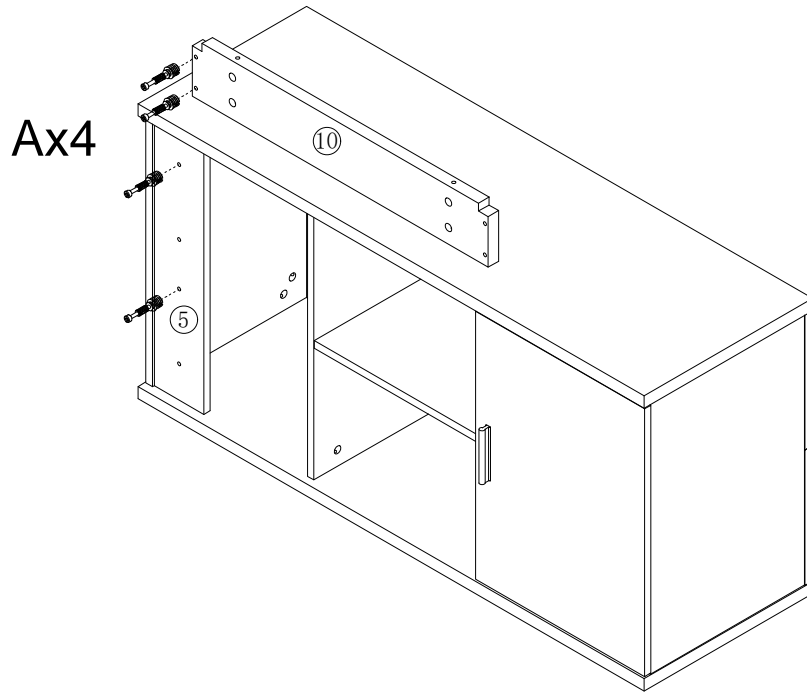
A 2PCS

M6*40

B 8PCS

Ø15*9.5





Step 11

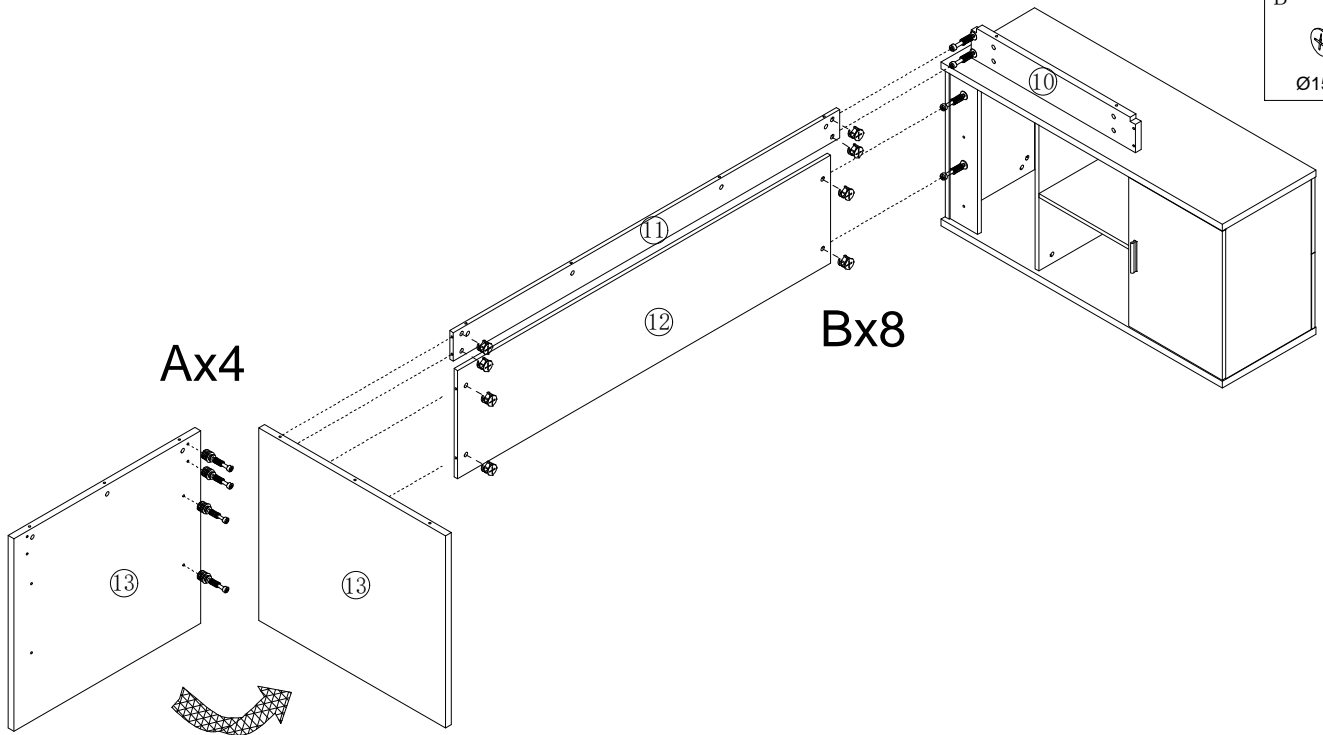
A 4PCS

M6*40



Step 12

A 4PCS

M6*40

B 8PCS

Ø15*9.5



ASSEMBLY INSTRUCTION

Step 13

A 9PCS

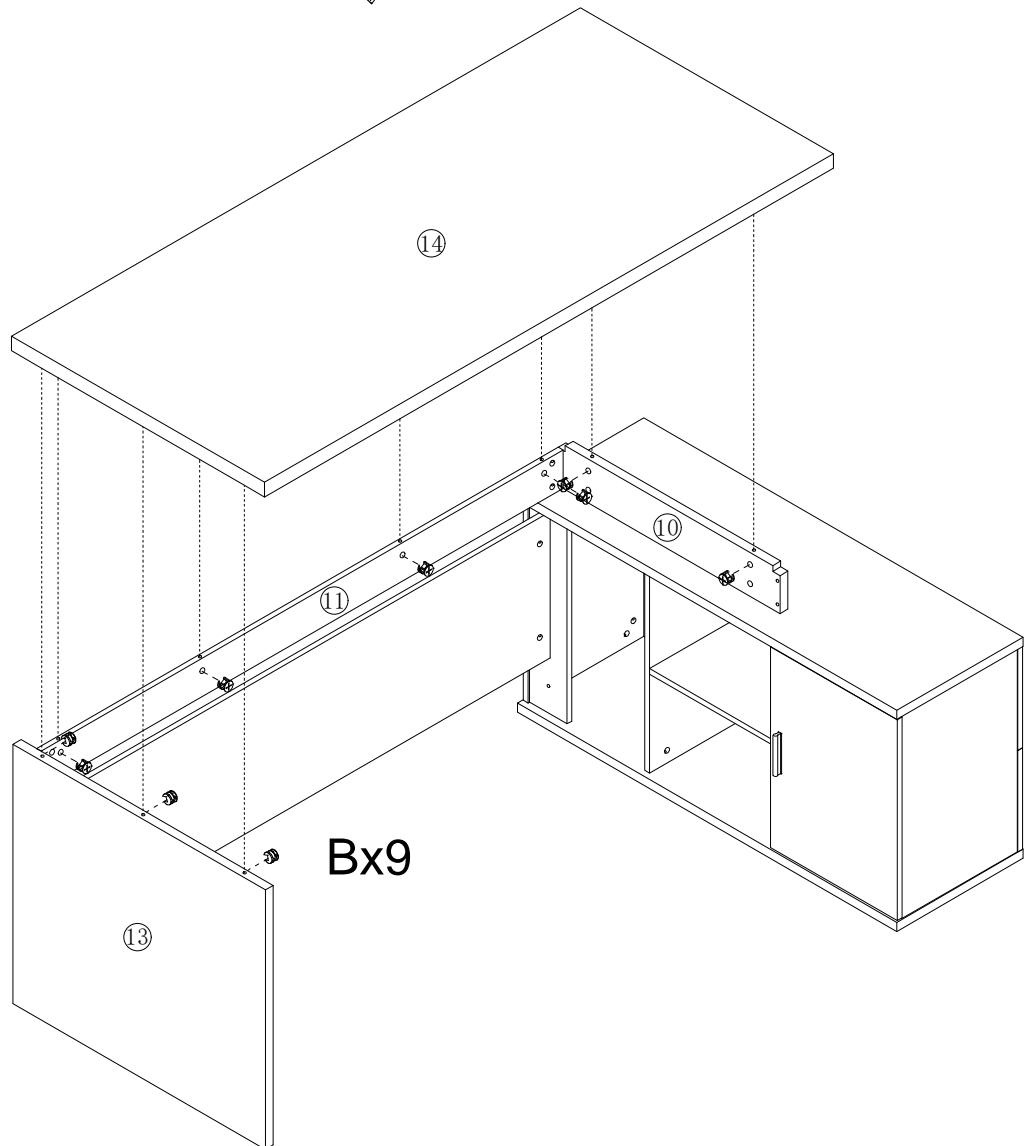
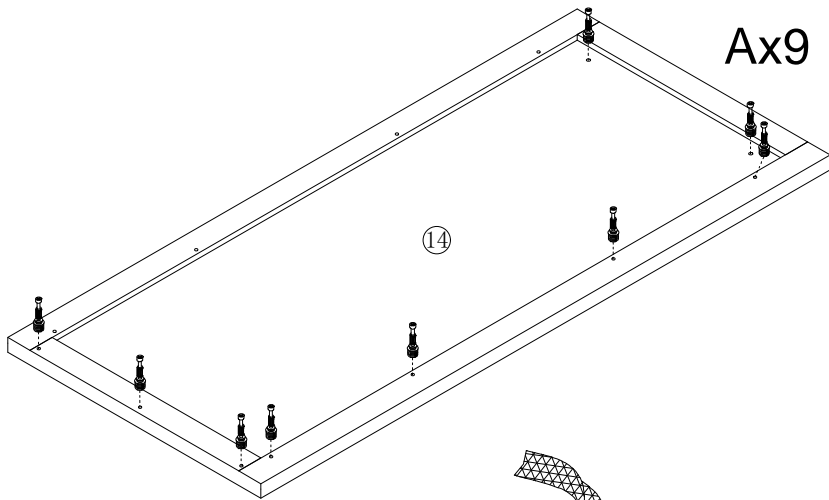


M6*40

B 9PCS



Ø15*9.5



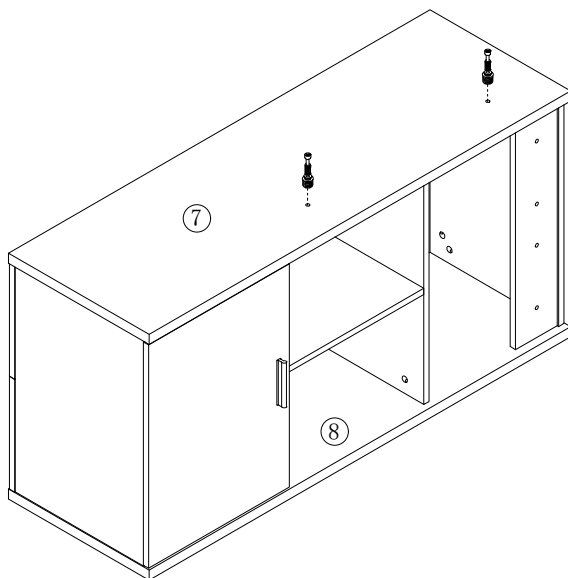
OK

Step 14

A 2PCS



M6*40

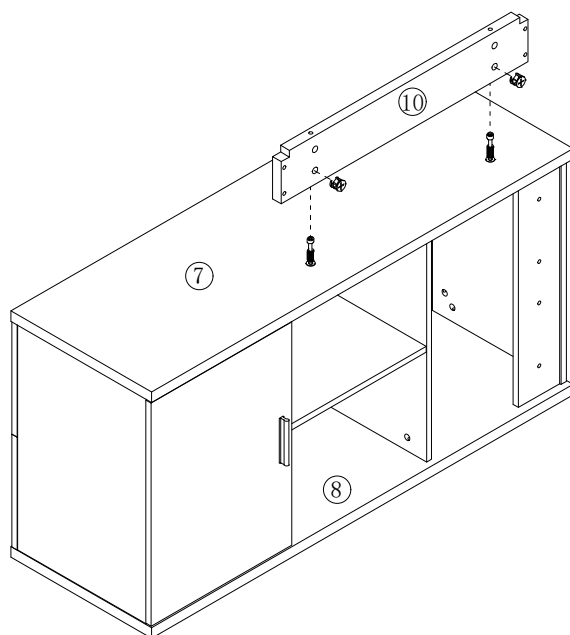


Step 15


B 8PCS

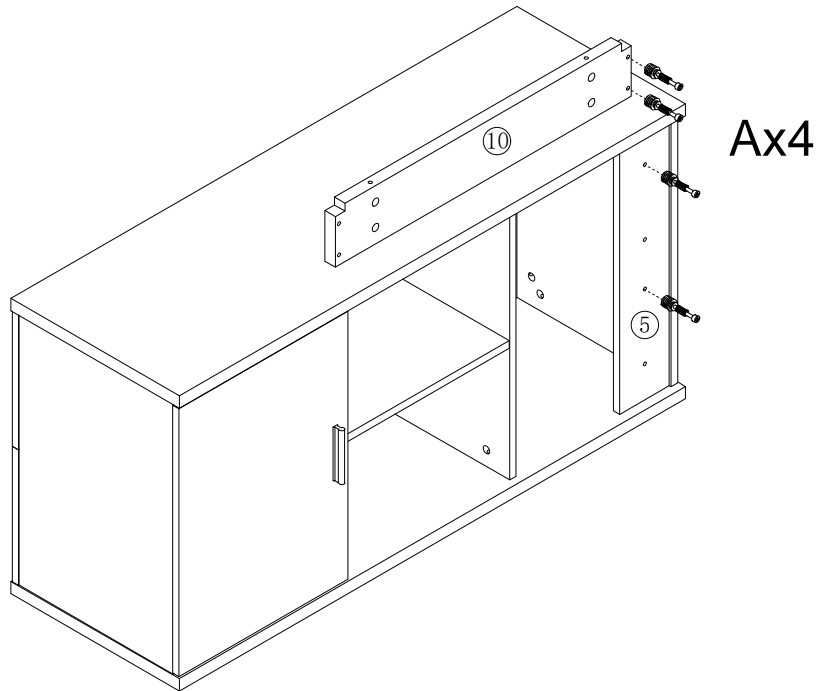


Ø15*9.5





Step 16

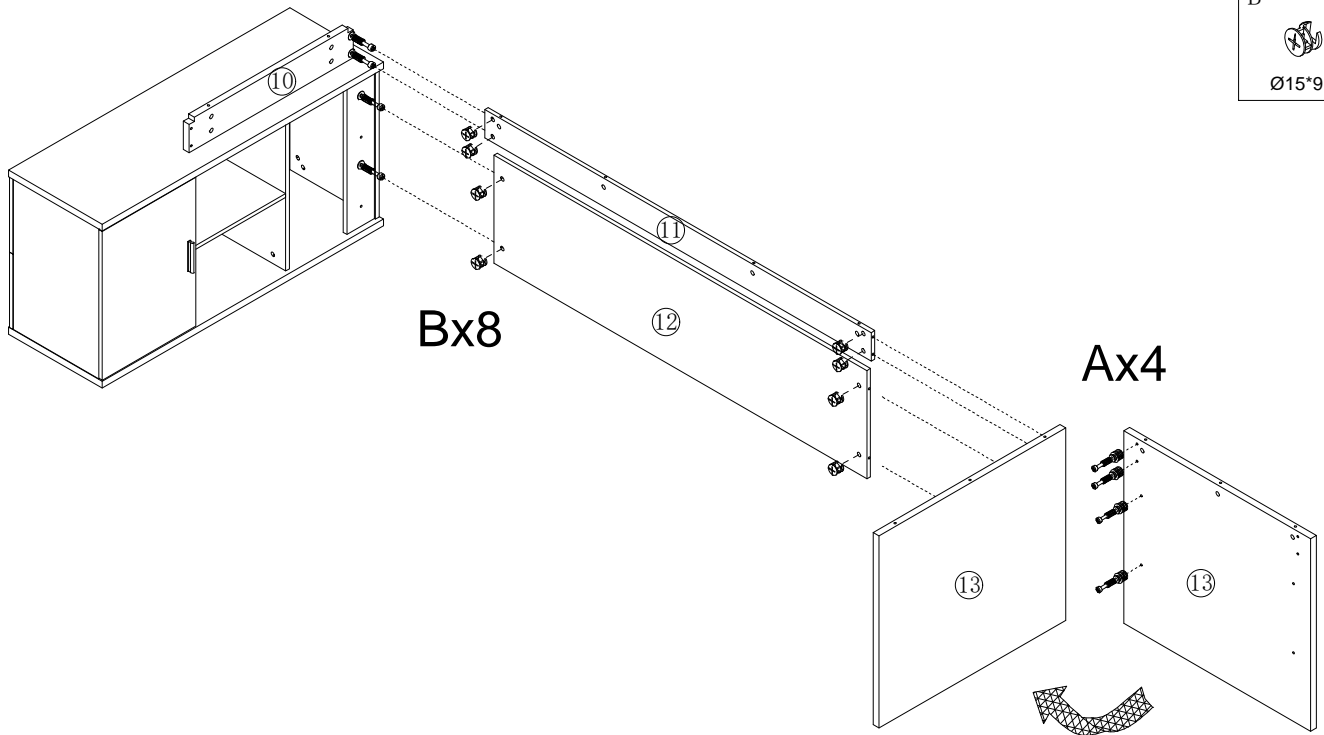
A 4PCS

M6*40



Step 17

A 4PCS

M6*40

B 8PCS

Ø15*9.5



Step 18

A 9PCS

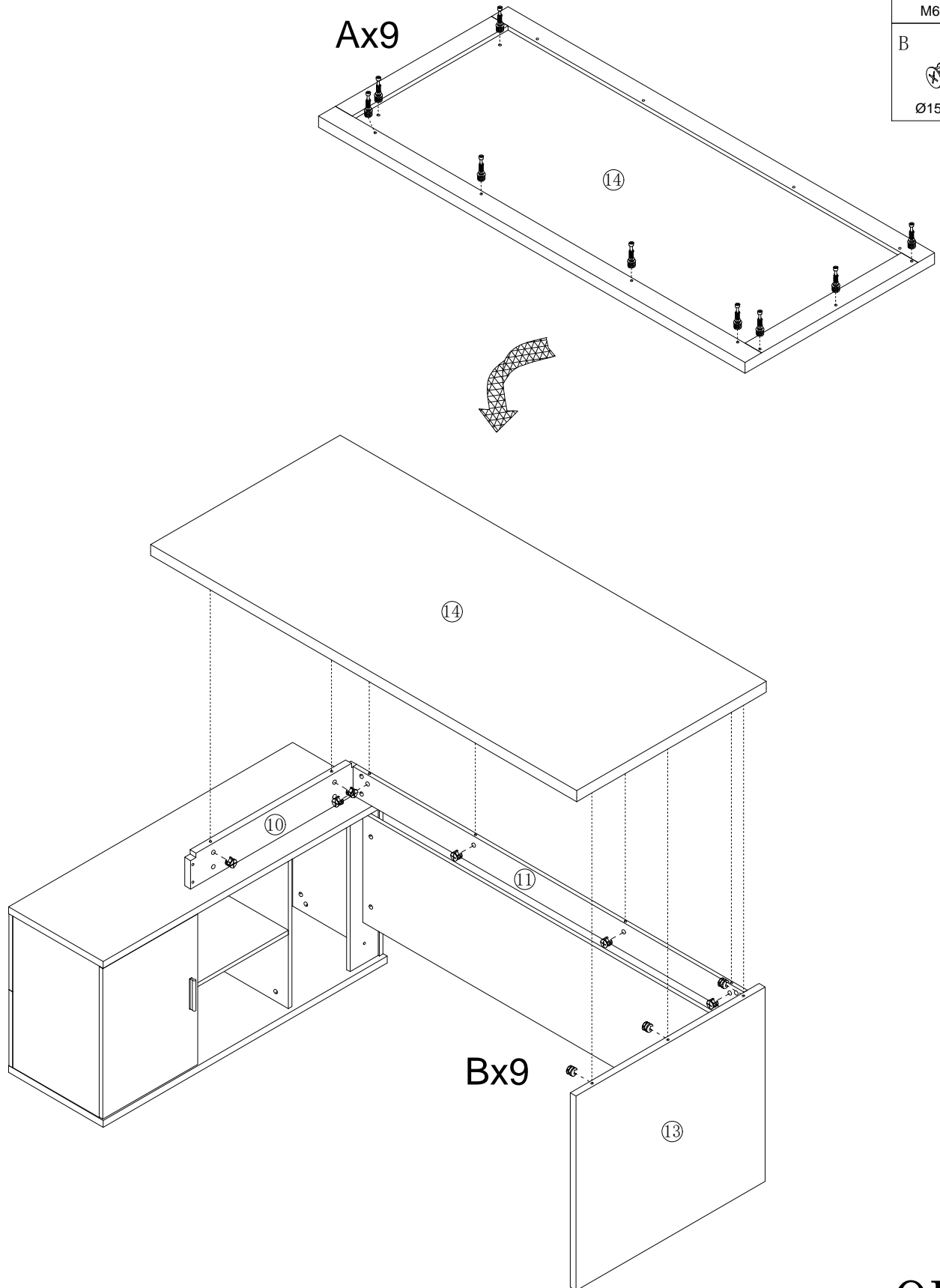


M6*40

B 9PCS



Ø15*9.5



OK