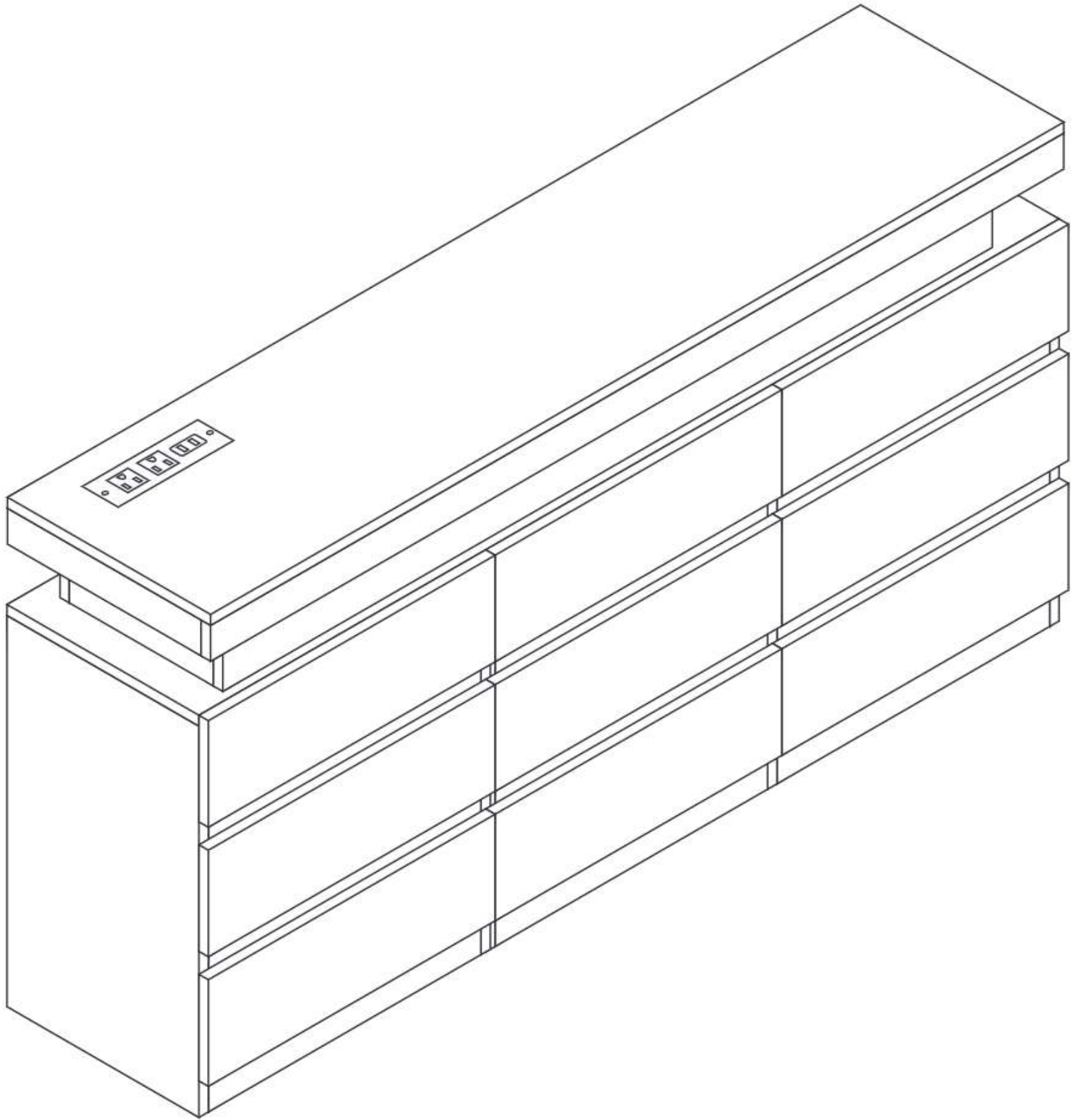


ASSEMBLY INSTRUCTIONS

COD02 Storage Cabinet



Thank you for purchasing our product!

Please refer and use this assembly instruction to assemble the product.

Contact our customer service department in case there are any missing or damage parts or hardware. Please also tell us your "Order ID", We will solve for you as soon as possible.

EMAIL: customerservice@hkfoam.com

ASSEMBLY PREPARATION:

1. Remove all packaging materials, staples and packing straps from the carton.
2. Refer to Parts List and Hardware List and ensure they are correct before assembly. Contact customer service for missing parts.
3. Place all wooden parts on a clean, flat and soft surface (e.g. carpet or rug) to prevent parts from getting scratched.

SAFETY PRECAUTION:

1. Keep all hardware parts out of reach of children.
2. Dispose plastic packaging material immediately to avoid any risk of suffocation to children and animals..

TIPS FOR ASSEMBLY:

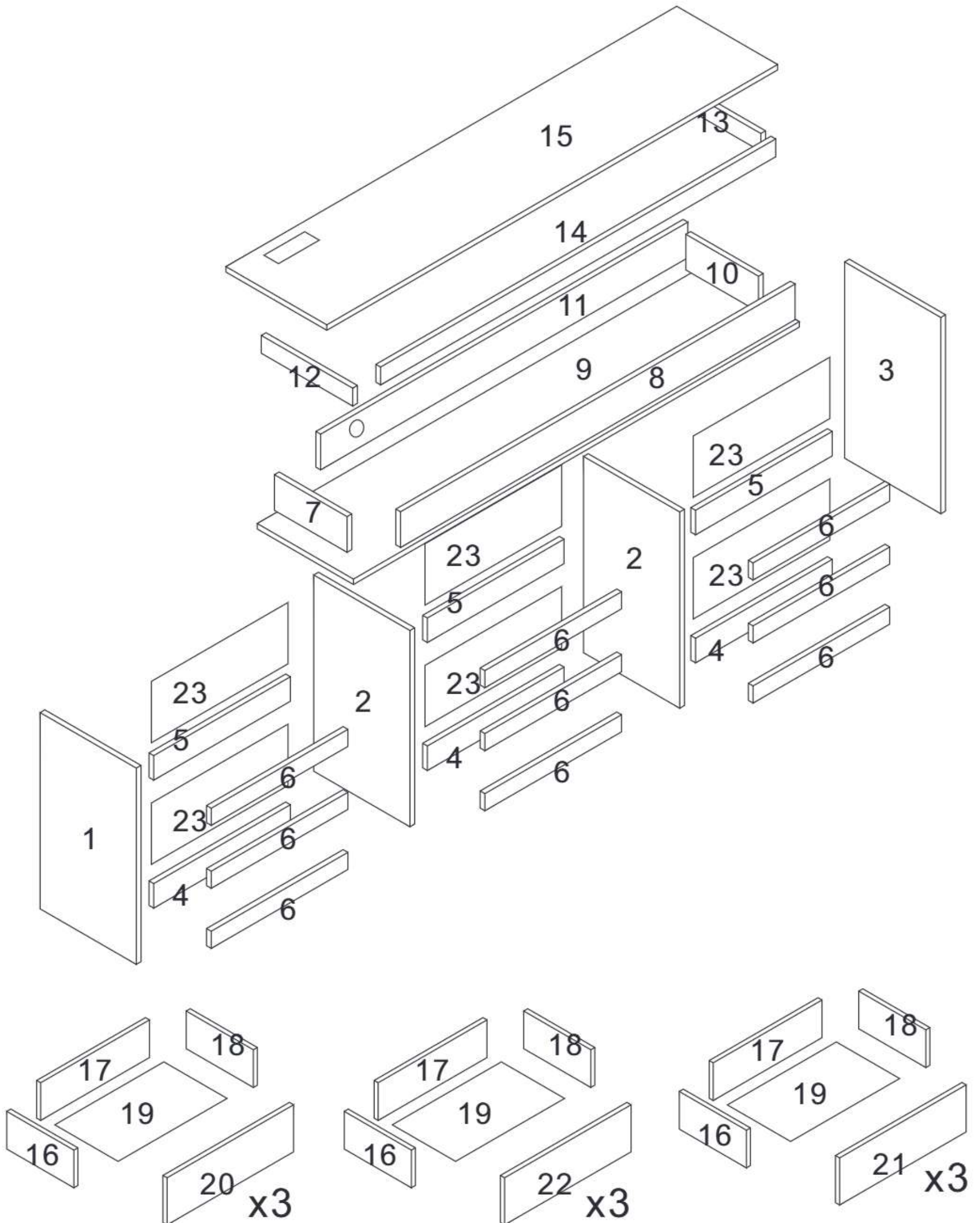
1. Allow ample room for assembly and in close proximity to where product will be placed.
2. Assemble the product on a surface that does not scratch or damage the exterior gloss and finish of the furniture.
3. Identify all of the parts, hardware and quantities required for each step.
4. During assembly, do not over-tighten any fittings as this may cause damage.
5. DO NOT USE POWER TOOLS TO ASSEMBLE THIS PRODUCT.
6. Always place the product on a flat, level surface.
7. Do not sit or stand on the partially assembled product; only use the product for which it is intended.

CARE AND MAINTENANCE:

- Use a slightly damp cloth to clean the product. Do not use bleach or abrasive cleaning material.
- Check all the fittings periodically and re-tighten as necessary. Do not use the product if any of the parts is damaged or broken.
- Never allow any kind of liquid to remain on your furniture. Absorption can cause wood to warp or delaminate.
- Do not place hot items (e.g. hot drinks) directly onto the wood surface.



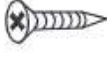






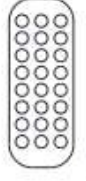

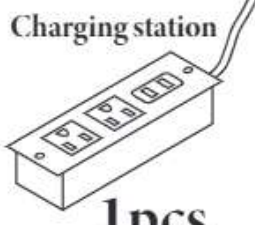

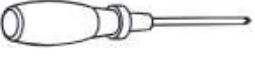
Part List

Please check if all the pieces listed bellow are received



Hardware List

Please check if all the piece listed bellow are received

A Cam bolt  172pcs	B Cam lock  172pcs	C Screw  86pcs	D Long screws  12pcs	E Short slide rail   18pc
F Plastic wedge  12pcs	G Anti-dumping accessories  2pcs	H Light strip  1pcs	H Remote control  1pcs	H Plastic clips  4pcs
I Charging station  1pcs	J Hexagon screwdriver  1pcs	K Screwdriver  1pcs		

**ASSEMBLY
REQUIREMENTS**

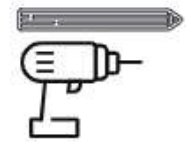
**4-5Hours
Assembly Time
(Approximate)**

2 -Person Assembly



Tools Required (Not Provided):

**Mark Pencil
Power Drill**



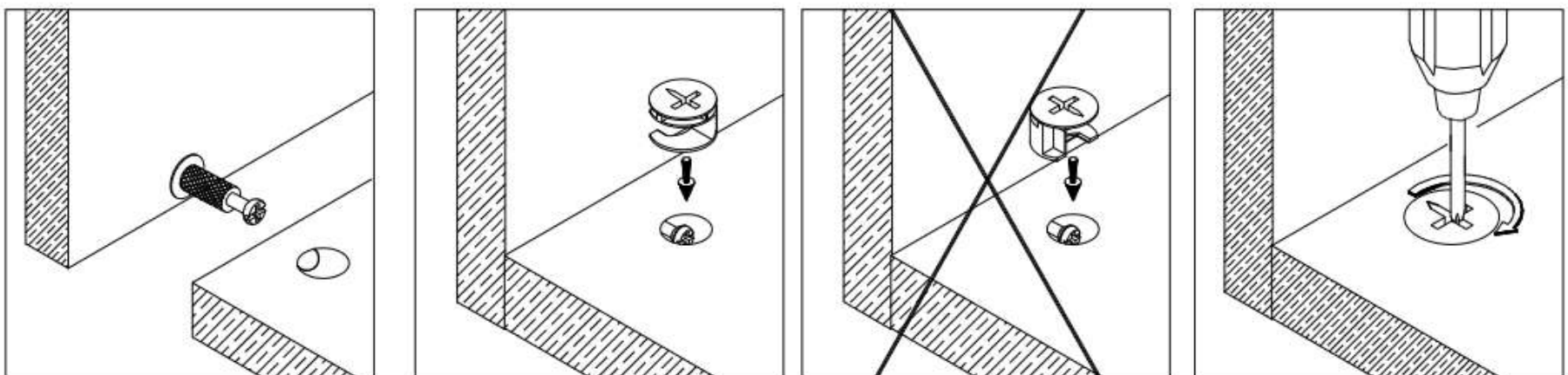
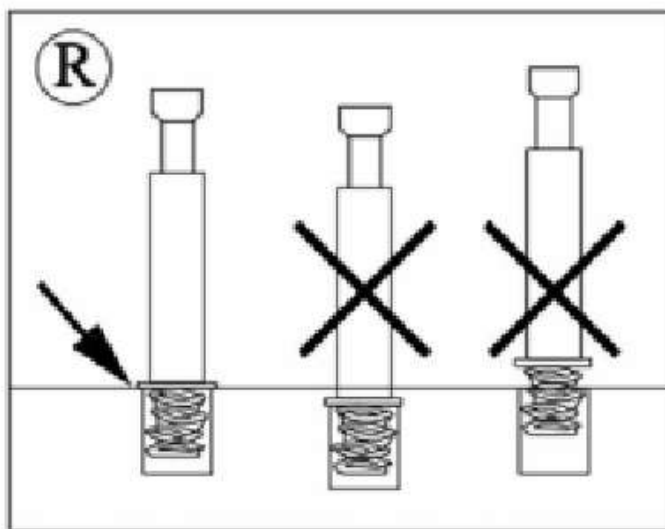
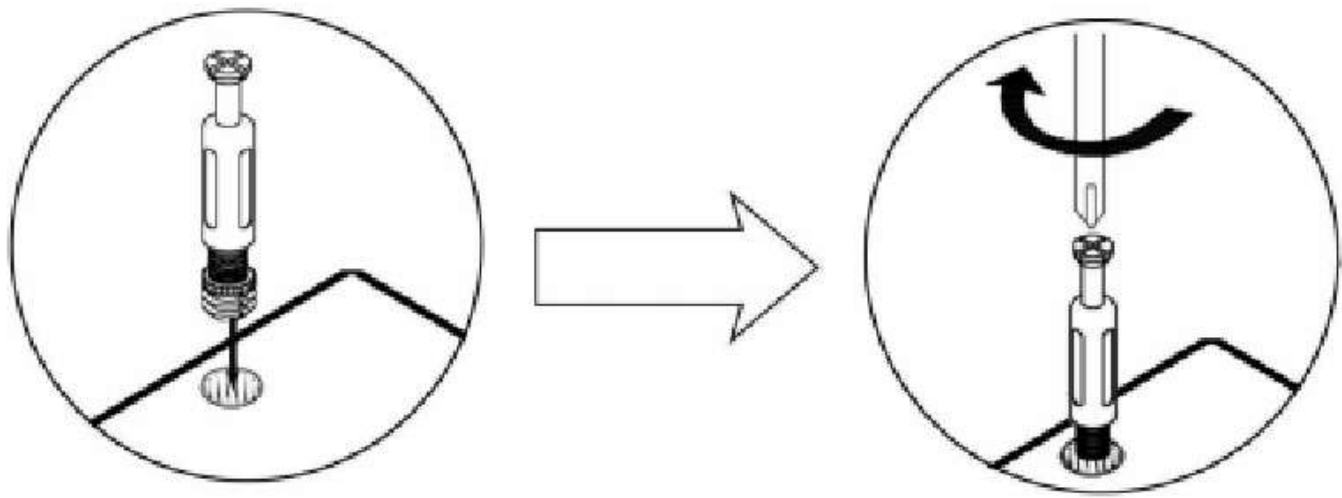
CAM LOCK SYSTEM OPERATION

NOTE: When inserting the Cam Lock, make sure that the Open End of the Cam Lock faces the Cam Screw Entry. The Dowel will be inserted in the hole NEXT to the Cam Lock/Cam Screw Hole.

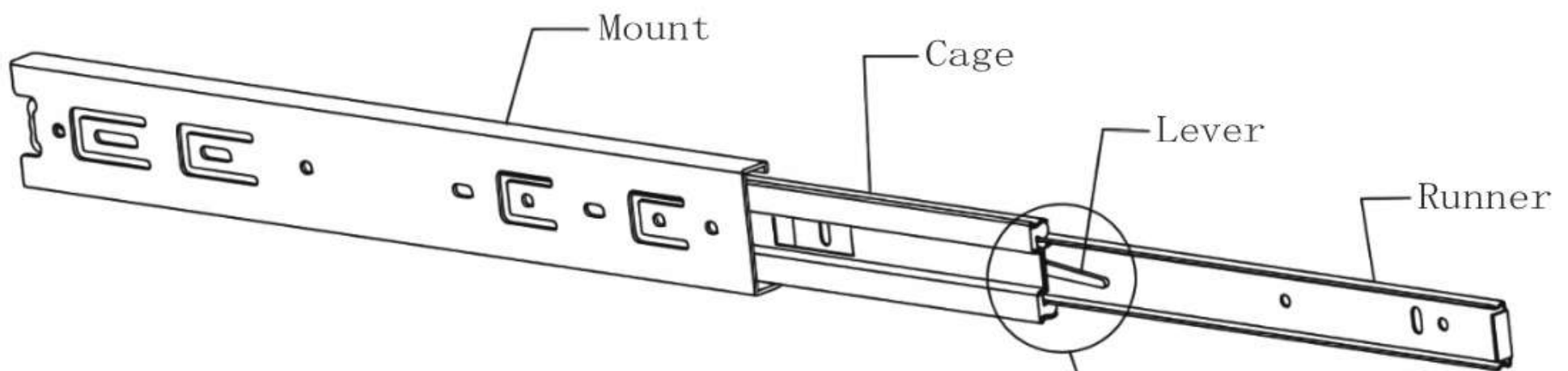
NOTE: The Cam Lock is backwards in this illustration. The Cam Screw can not connect to the Cam Lock because the Dowel is in the incorrect hole.

NOTE: To tighten, turn the Cam Lock CLOCKWISE until the arrow point AWAY from the connected Panel.

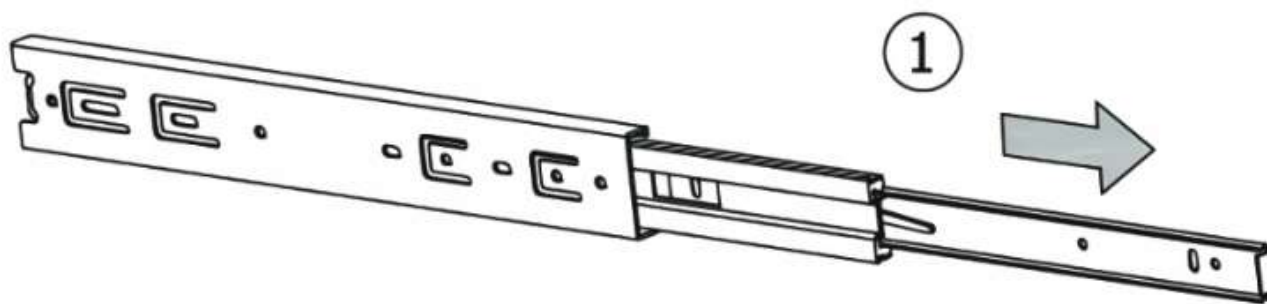
NOTE: DO NOT USE AN AUTOMATIC SCREWDRIVER TO TIGHTEN CAM LOCKS, DO NOT OVER-TIGHTEN.



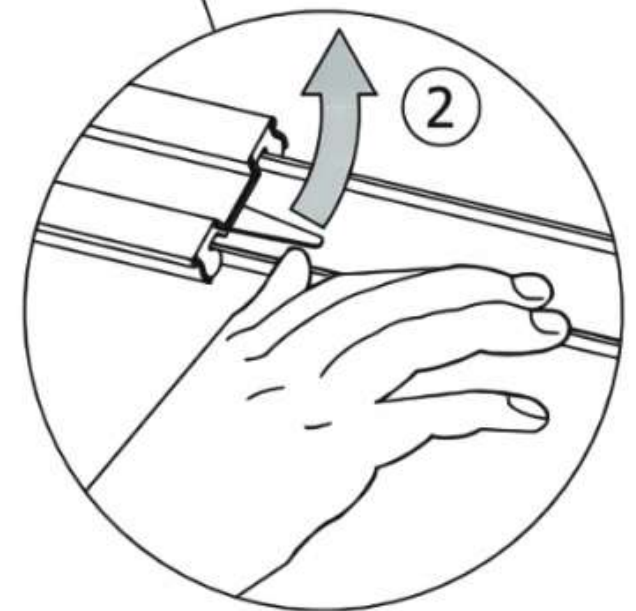
Before installing the drawer rail, you need to separate the E1 and E2 first.



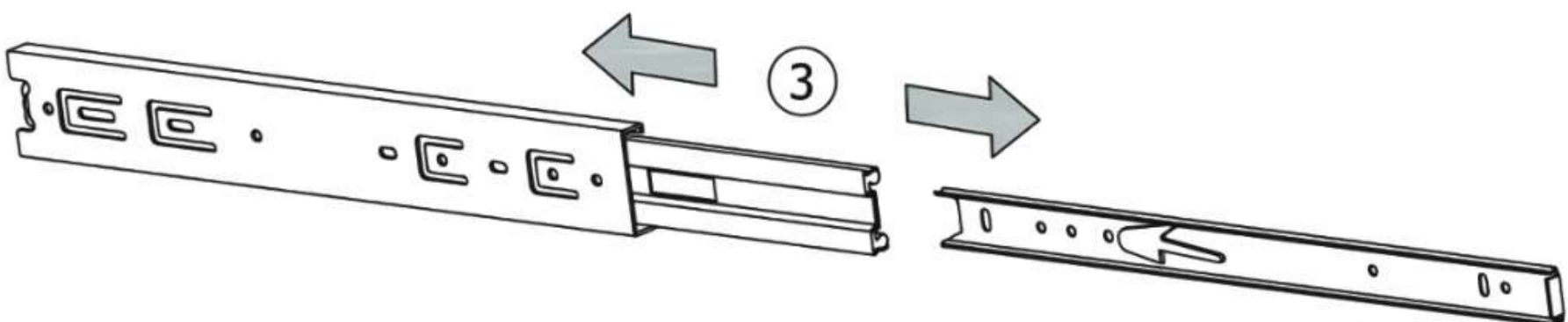
STEP 1: Extend Slider



STEP 2: Push Lever Up



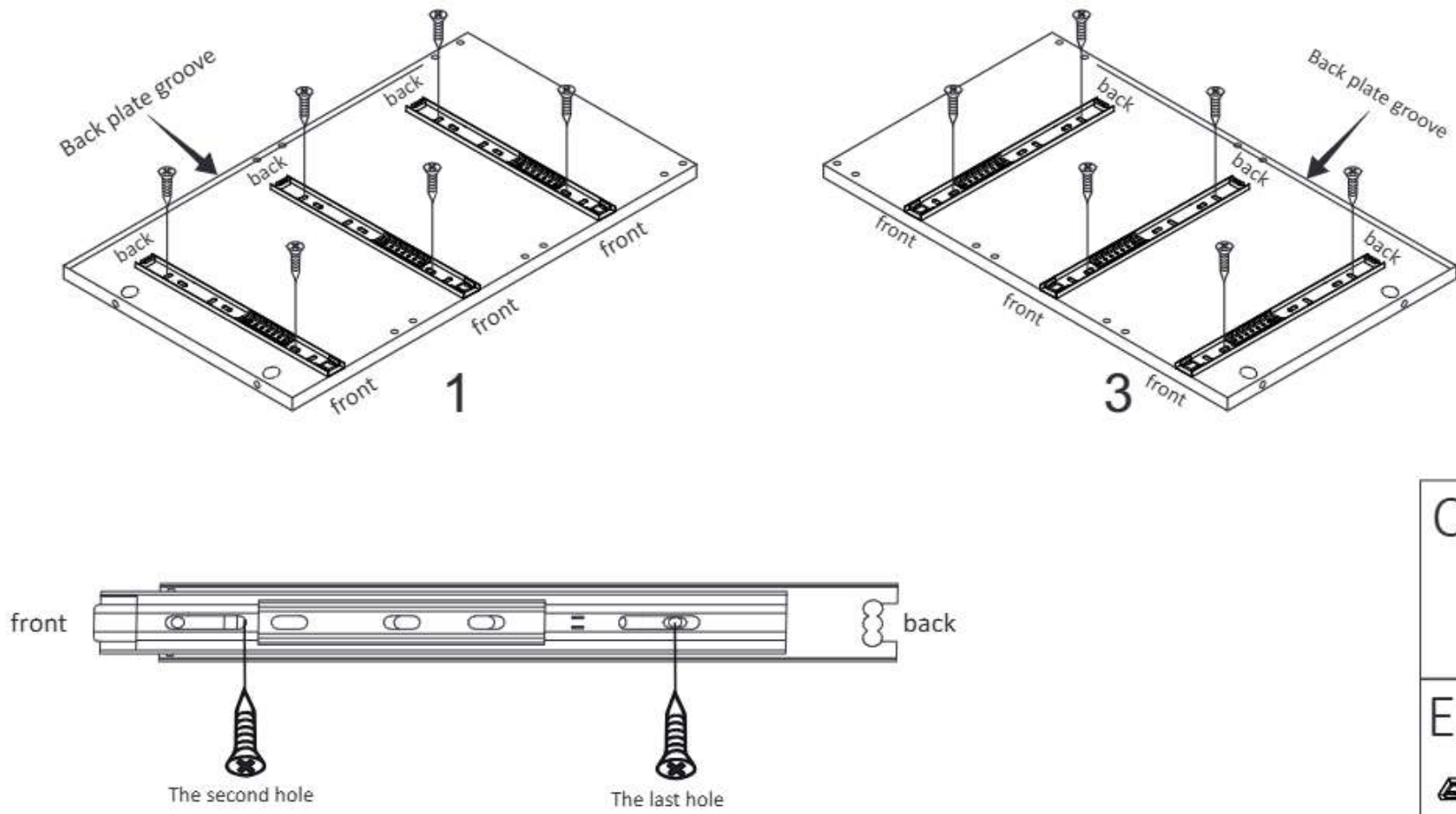
STEP 3: Remove Runner



Step 1

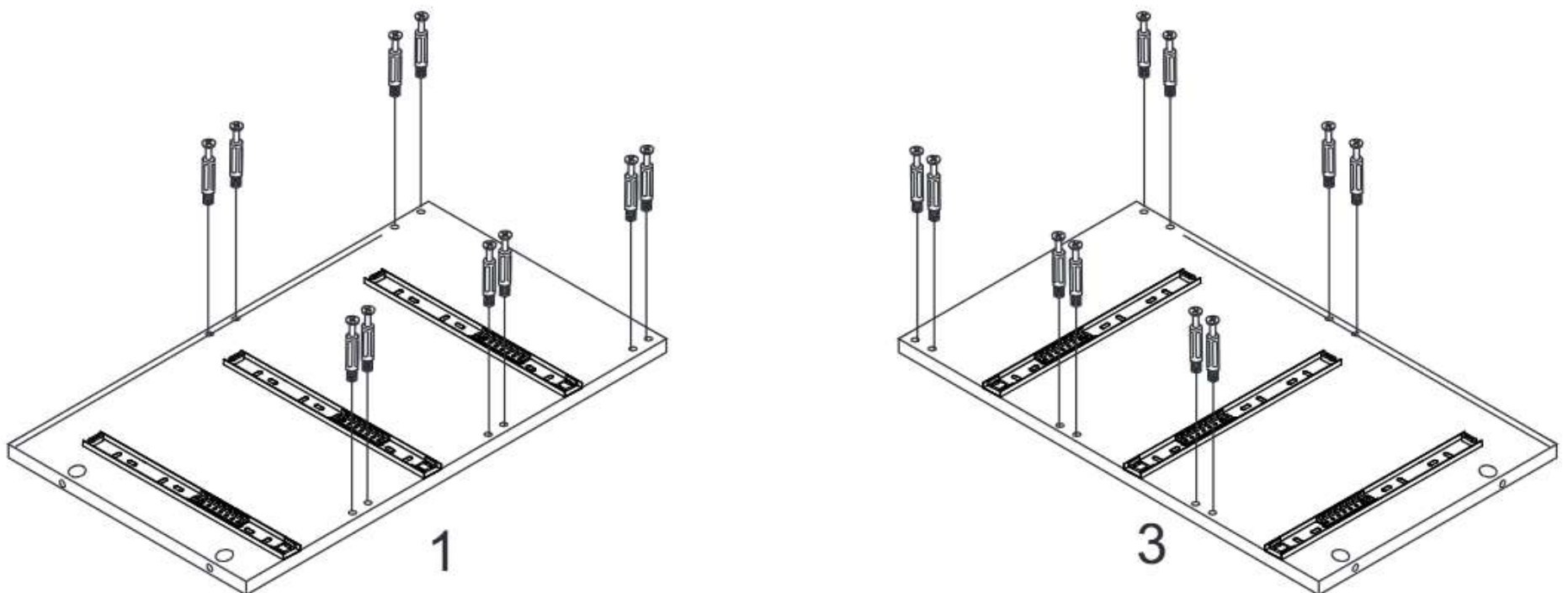
I. Use screws (C) to secure the slide rail (E1) to the panel (1,3), and tighten them with a screwdriver.

Note: For the correct orientation of slide rail (E1), please refer to the image.(front and back)



Step 2

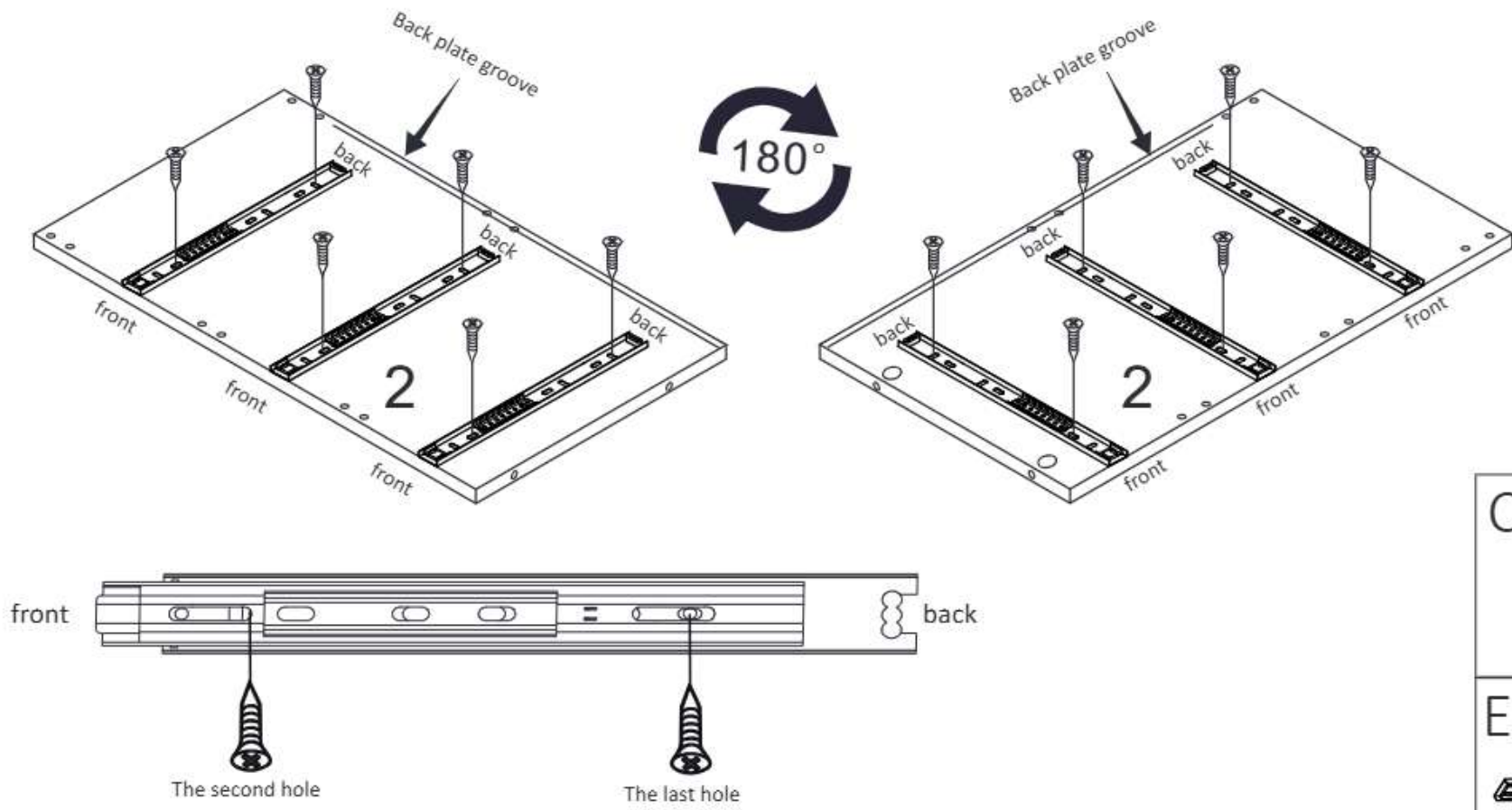
I. Screw in cam-bolt (A) into the designated holes on panel (1,3).



Step 3

I. Use screws (C) to secure the slide rail (E1) to the panel (2), and tighten them with a screwdriver.

Note: For the correct orientation of slide rail (E1), please refer to the image.(front and back)

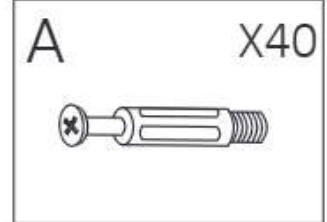
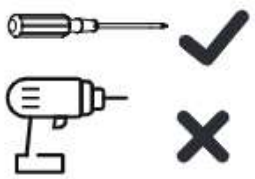


Step 4

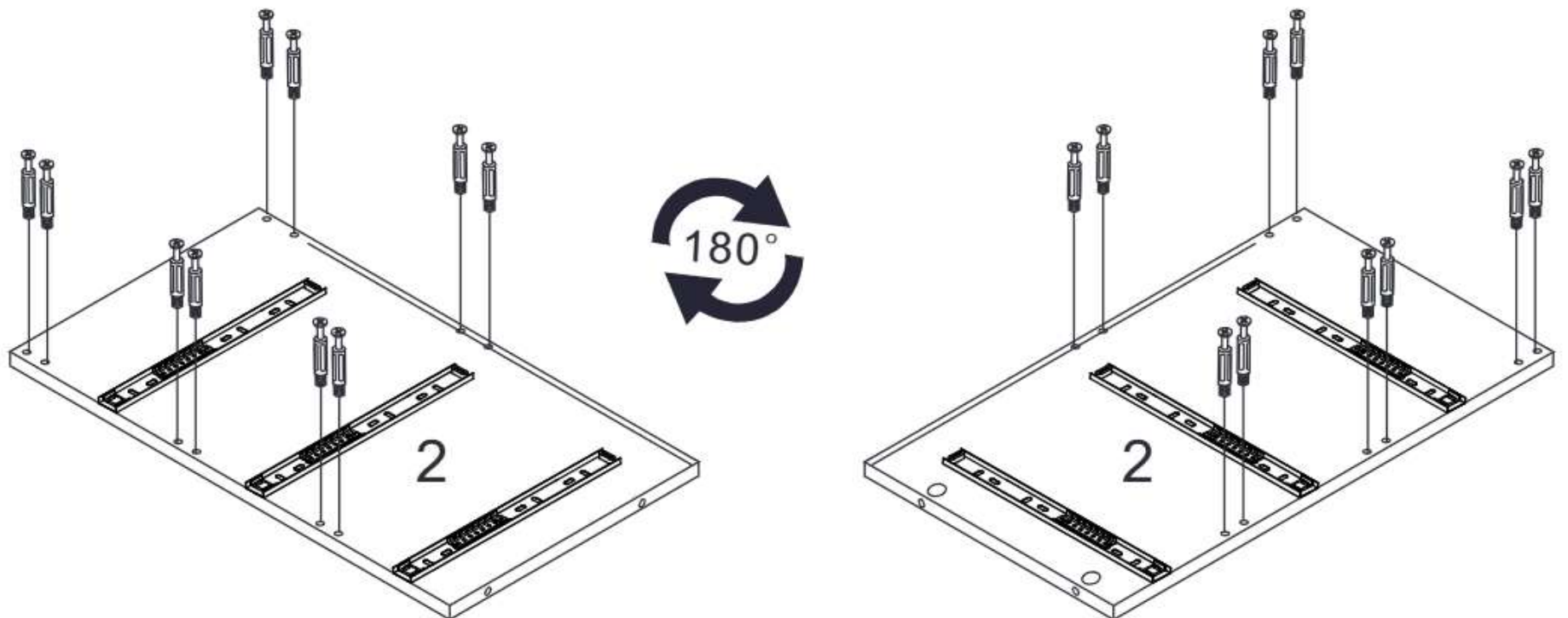
I. Screw in cam-bolt (A) into the designated holes on panel (2).

Note: Install cam-bolt (A) on panel 2, please use a manual screwdriver.

It is not recommended to use an electric screwdriver.



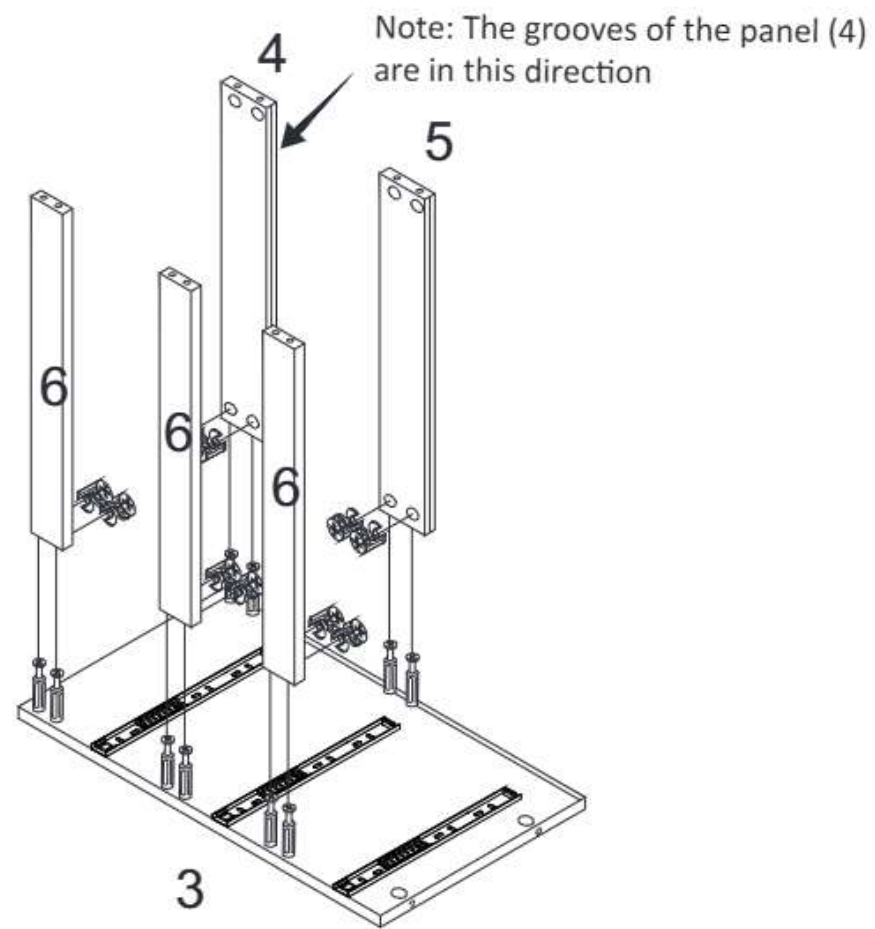
X2



Step 5

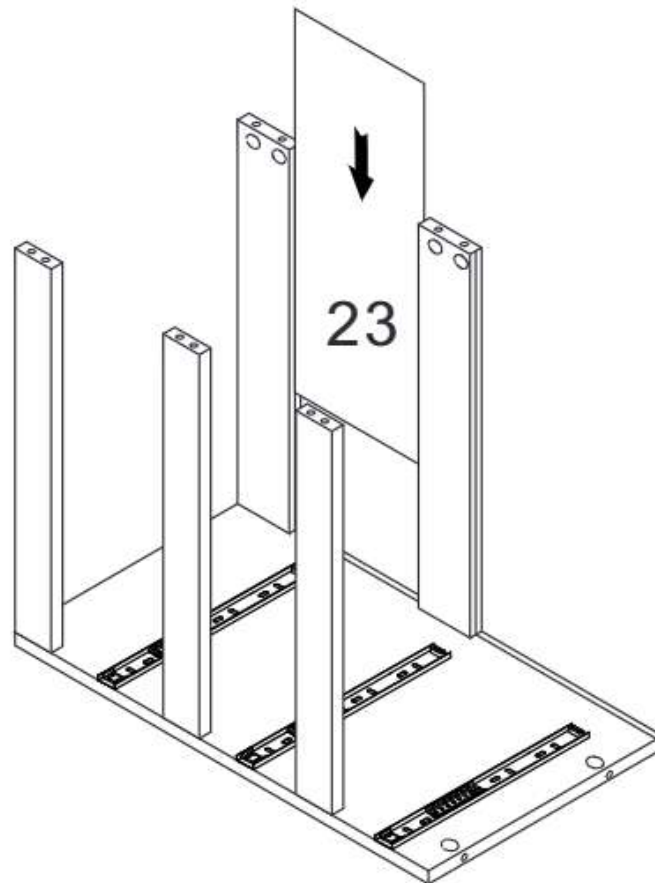
I. Attach panel (4,5,6,6,6) to panel (3), insert cam-lock (B) into the panel (4,5,6,6,6), then turn clockwise to lock onto cam-bolt.

Note: The direction of installing cam-lock (B) is shown in the figure



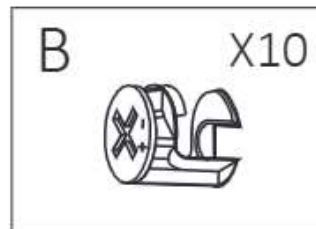
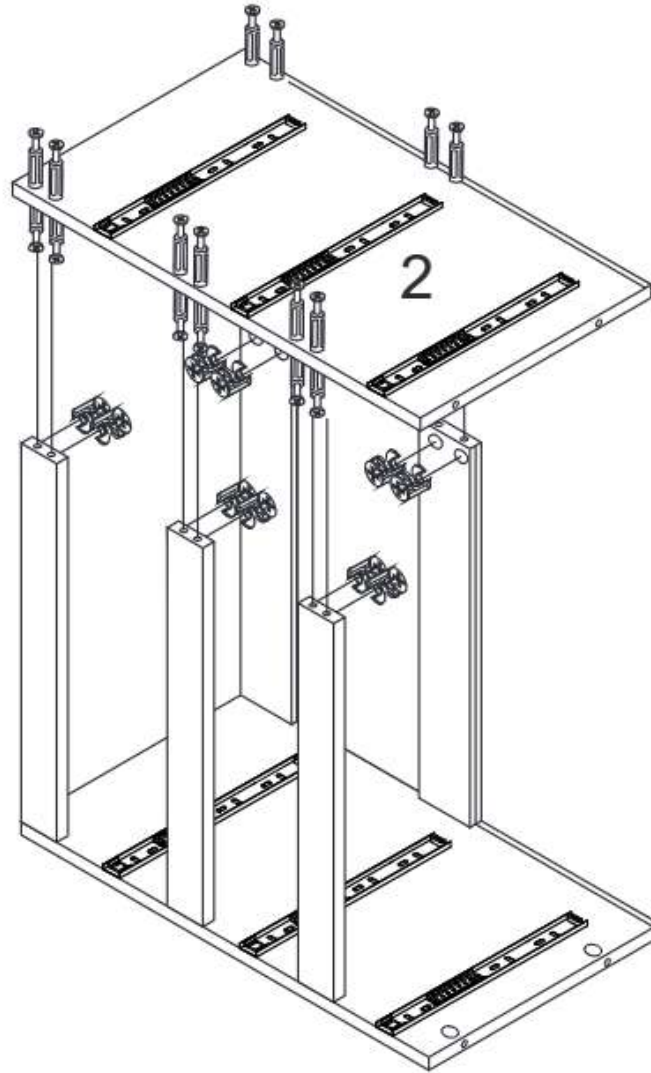
Step 6

I. Install panel (23) as per diagram and slide them into the grooves until they are fully seated.



Step 7

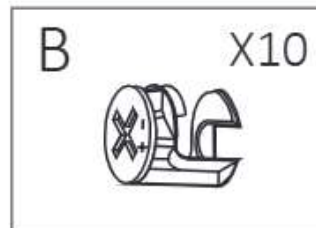
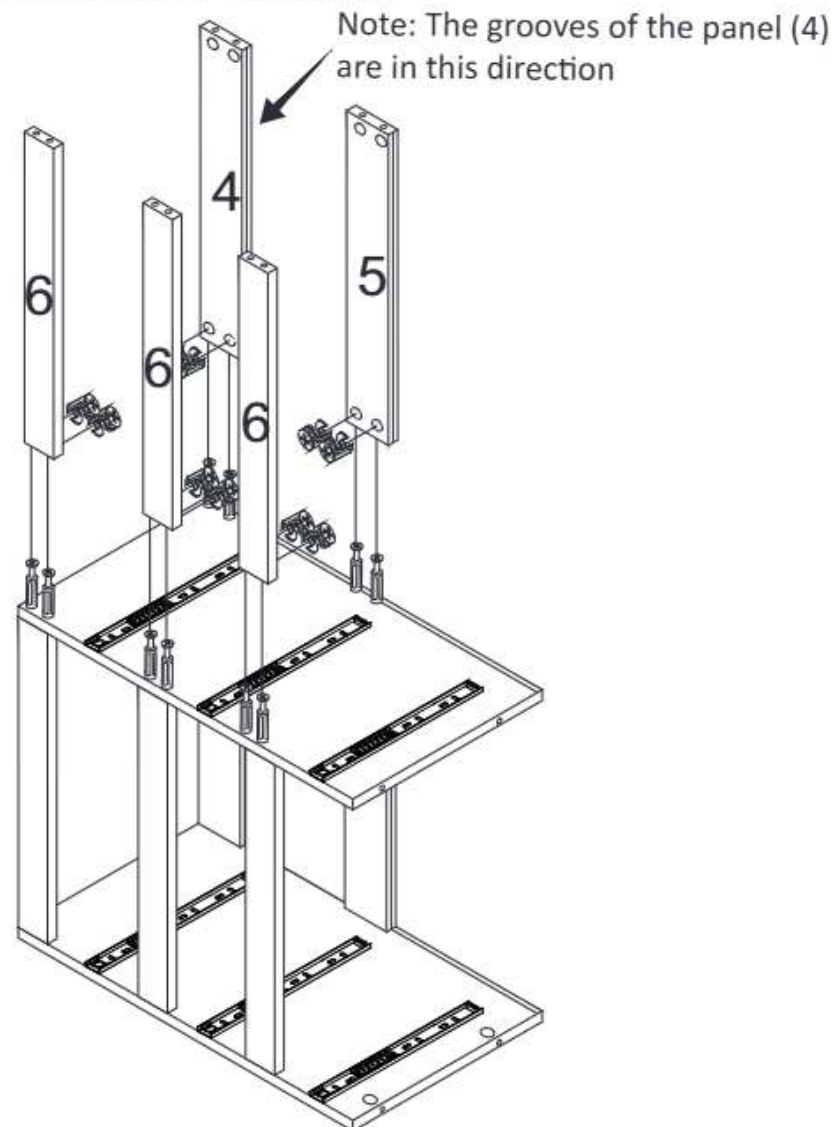
I. Attach panel (2) to panel (4,5,6,6,6,23), insert cam-lock (B) into the panel (4,5,6,6,6), then turn clockwise to lock onto cam-bolt .



Step 8

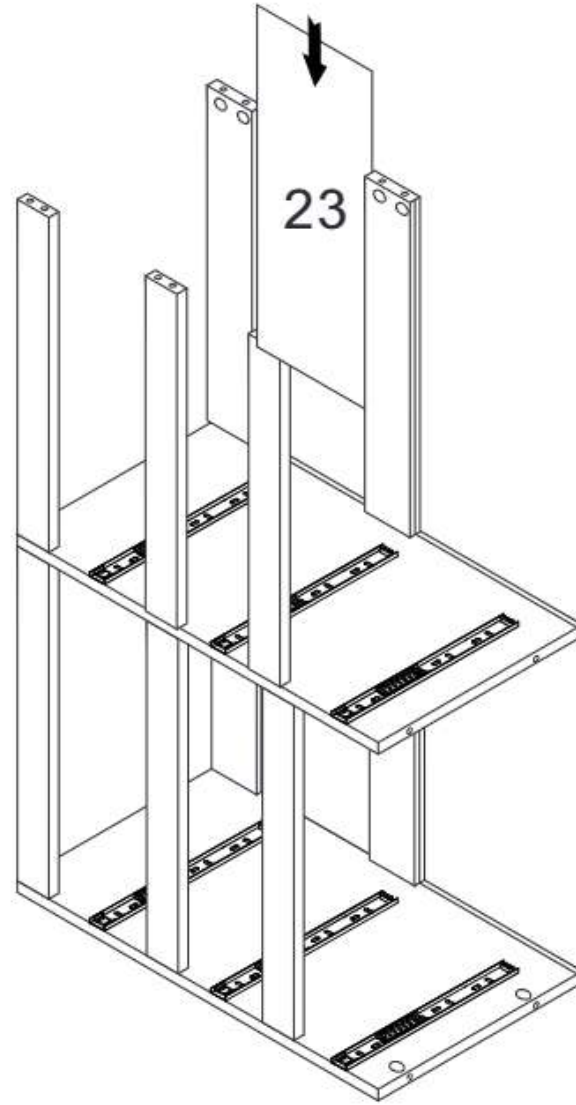
I. Attach panel (4,5,6,6,6) to panel (2), insert cam-lock (B) into the panel (4,5,6,6,6), then turn clockwise to lock onto cam-bolt.

Note: The direction of installing cam-lock (B) is shown in the figure



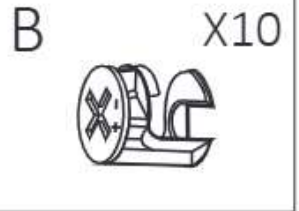
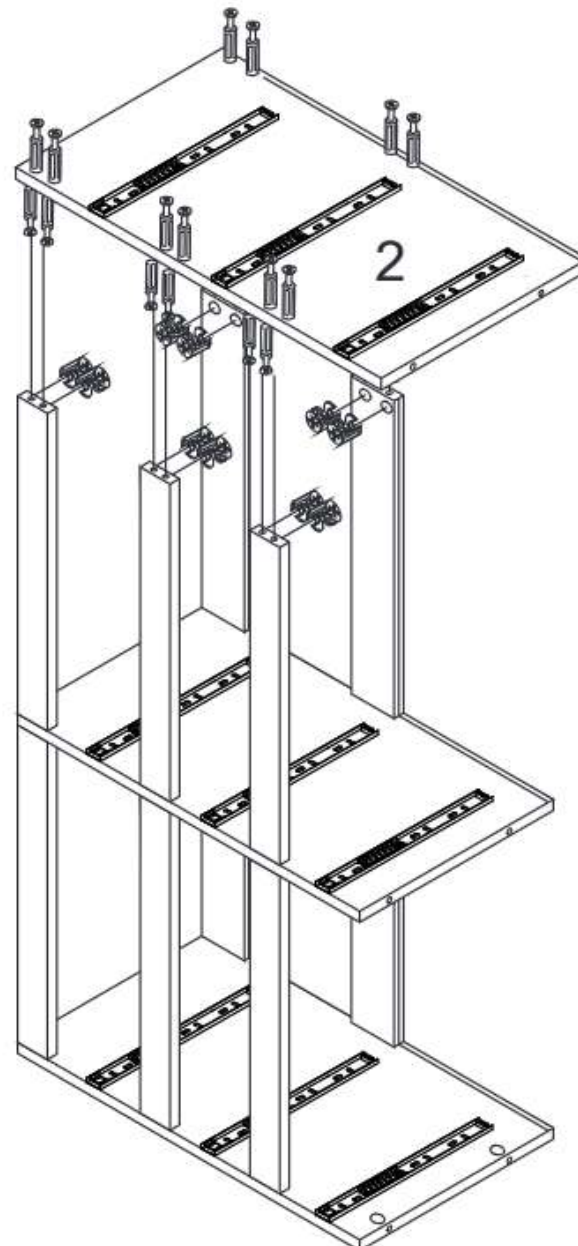
Step 9

I. Install panel (23) as per diagram and slide them into the grooves until they are fully seated.



Step 10

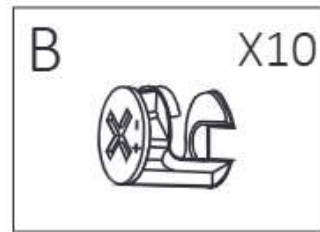
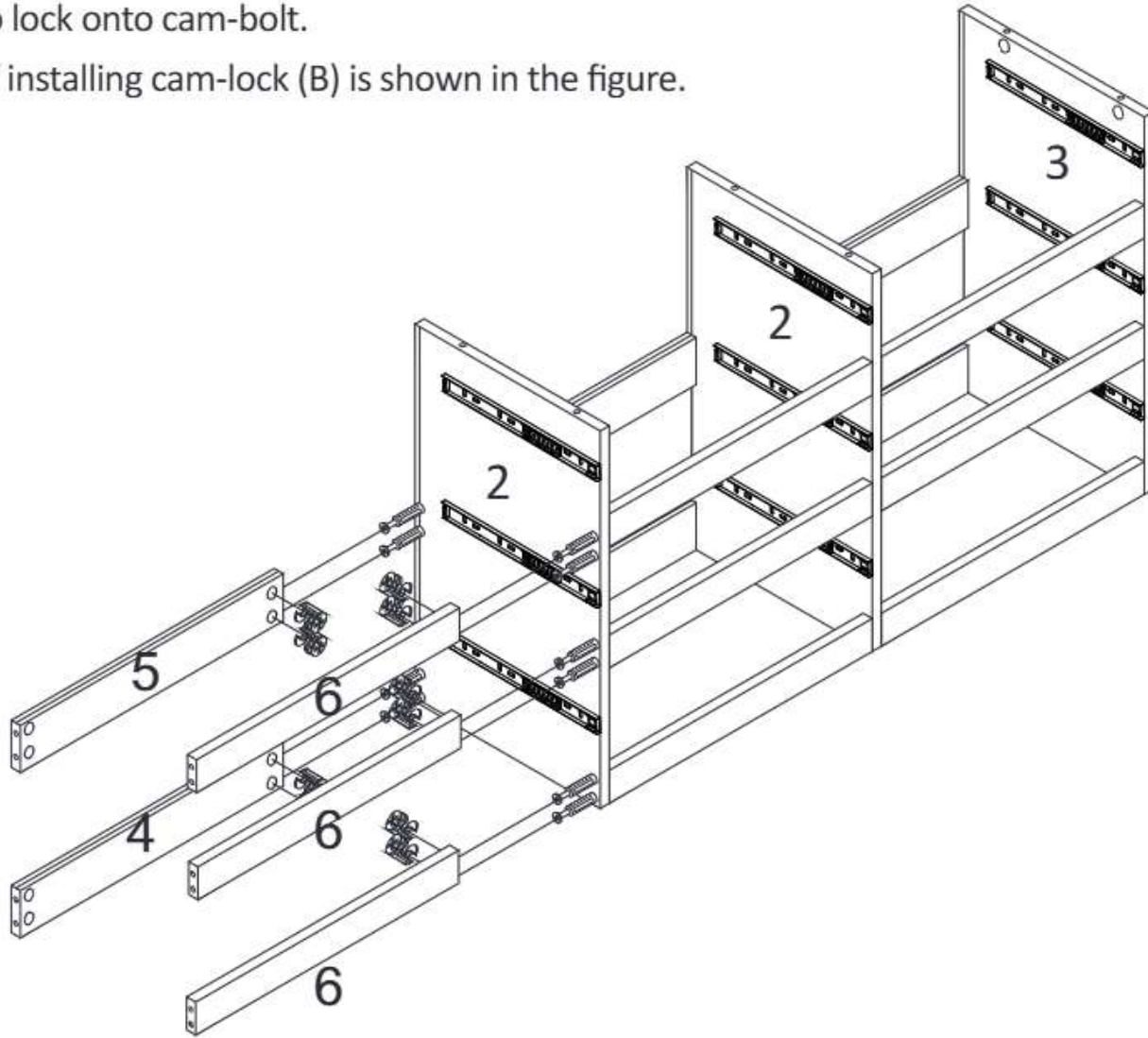
I. Attach panel (2) to panel (4,5,6,6,6,23), insert cam-lock (B) into the panel (4,5,6,6,6), then turn clockwise to lock onto cam-bolt.



Step 11

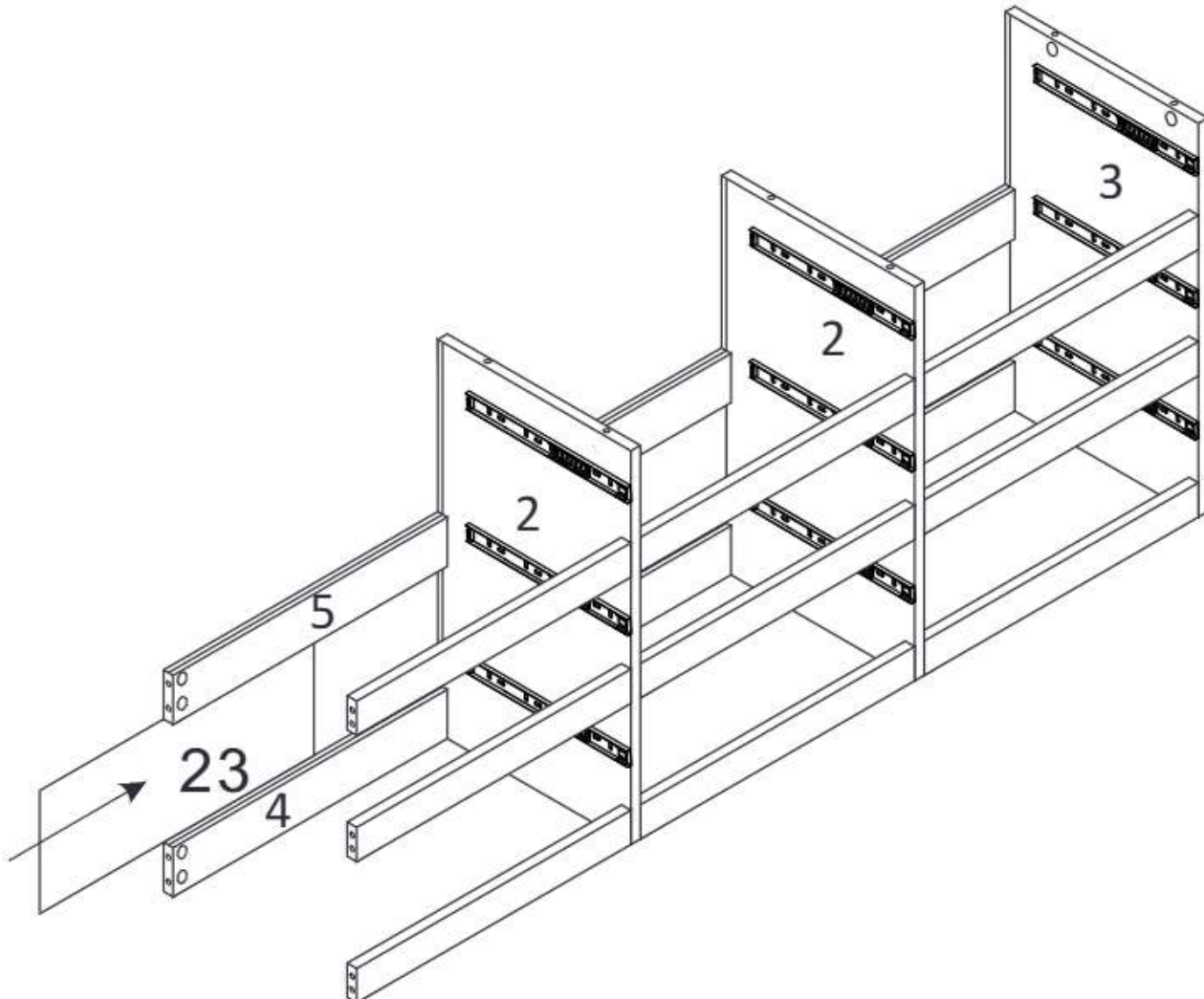
I. Attach panel (4,5,6,6,6) to panel (2), insert cam-lock (B) into the panel (4,5,6,6,6), then turn clockwise to lock onto cam-bolt.

Note: The direction of installing cam-lock (B) is shown in the figure.



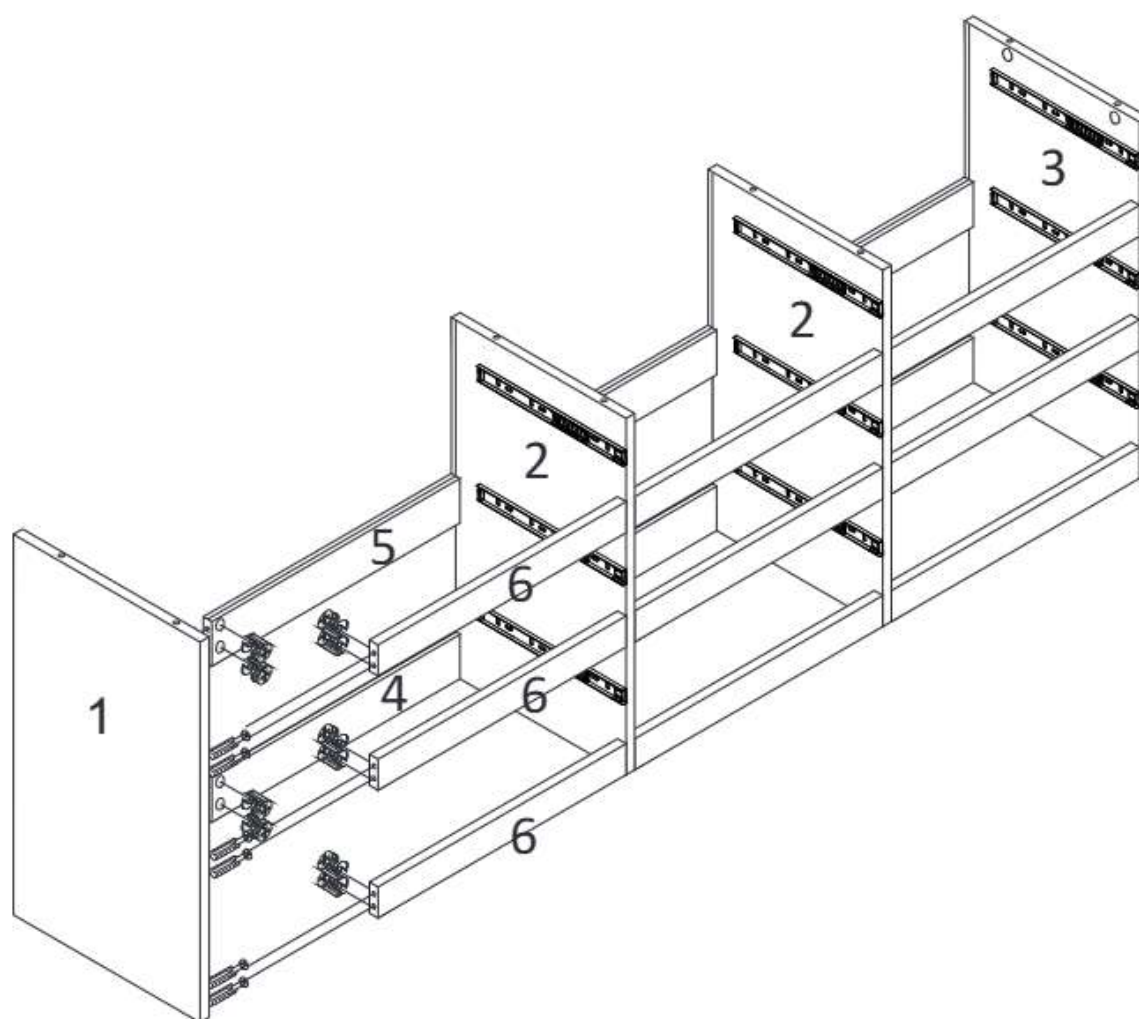
Step 12

I. Install panel (23) as per diagram and slide them into the grooves until they are fully seated.



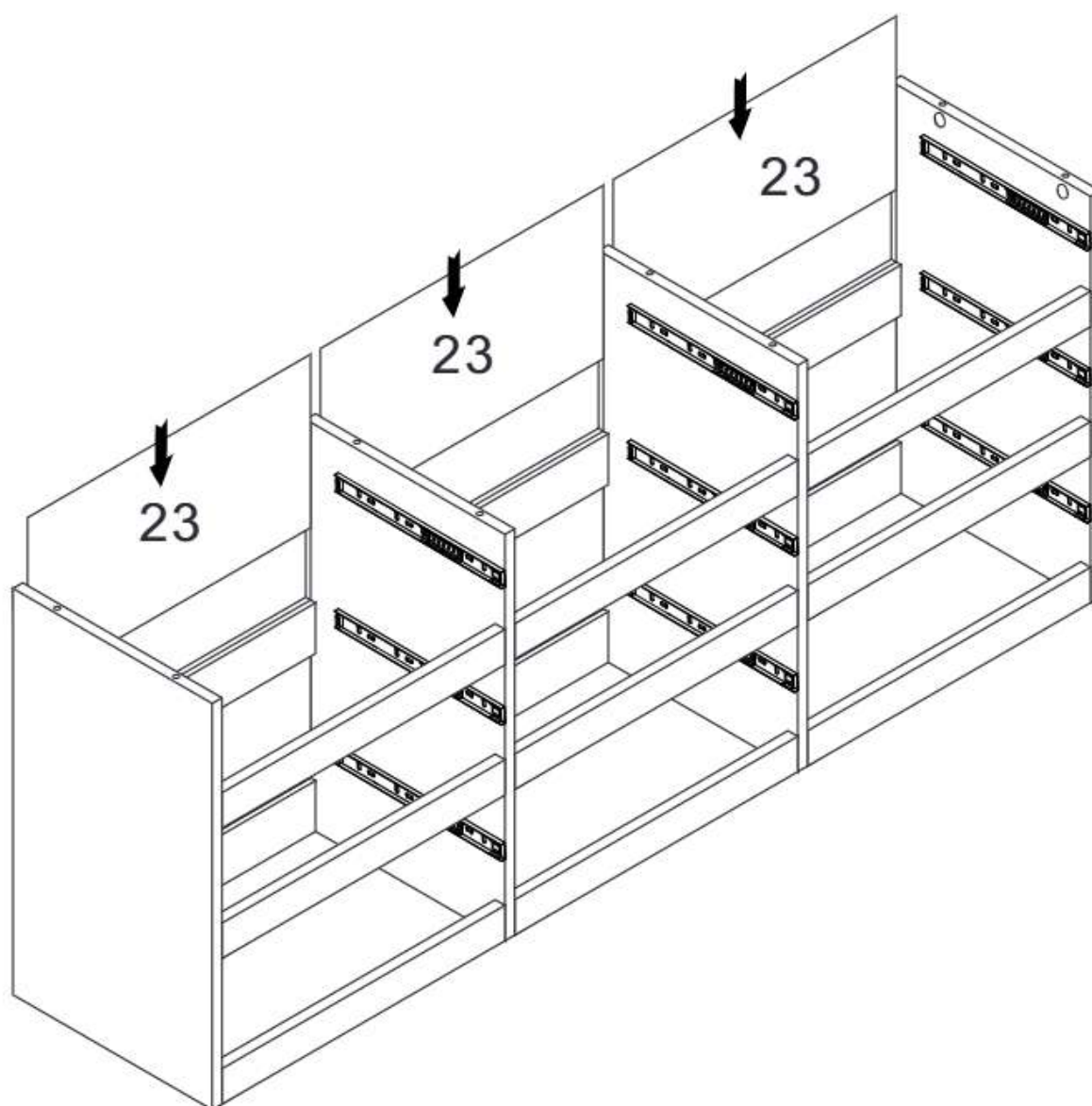
Step 13

I. Attach panel (1) to panel (4,5,6,6,6,23), insert cam-lock (B) into the panel (4,5,6,6,6), then turn clockwise to lock onto cam-bolt.



Step 14

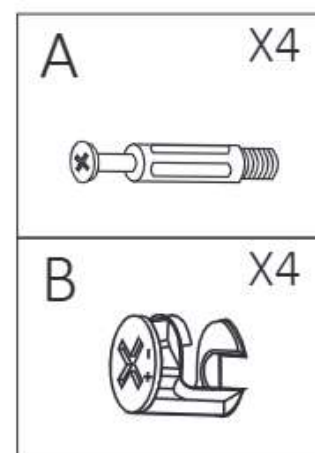
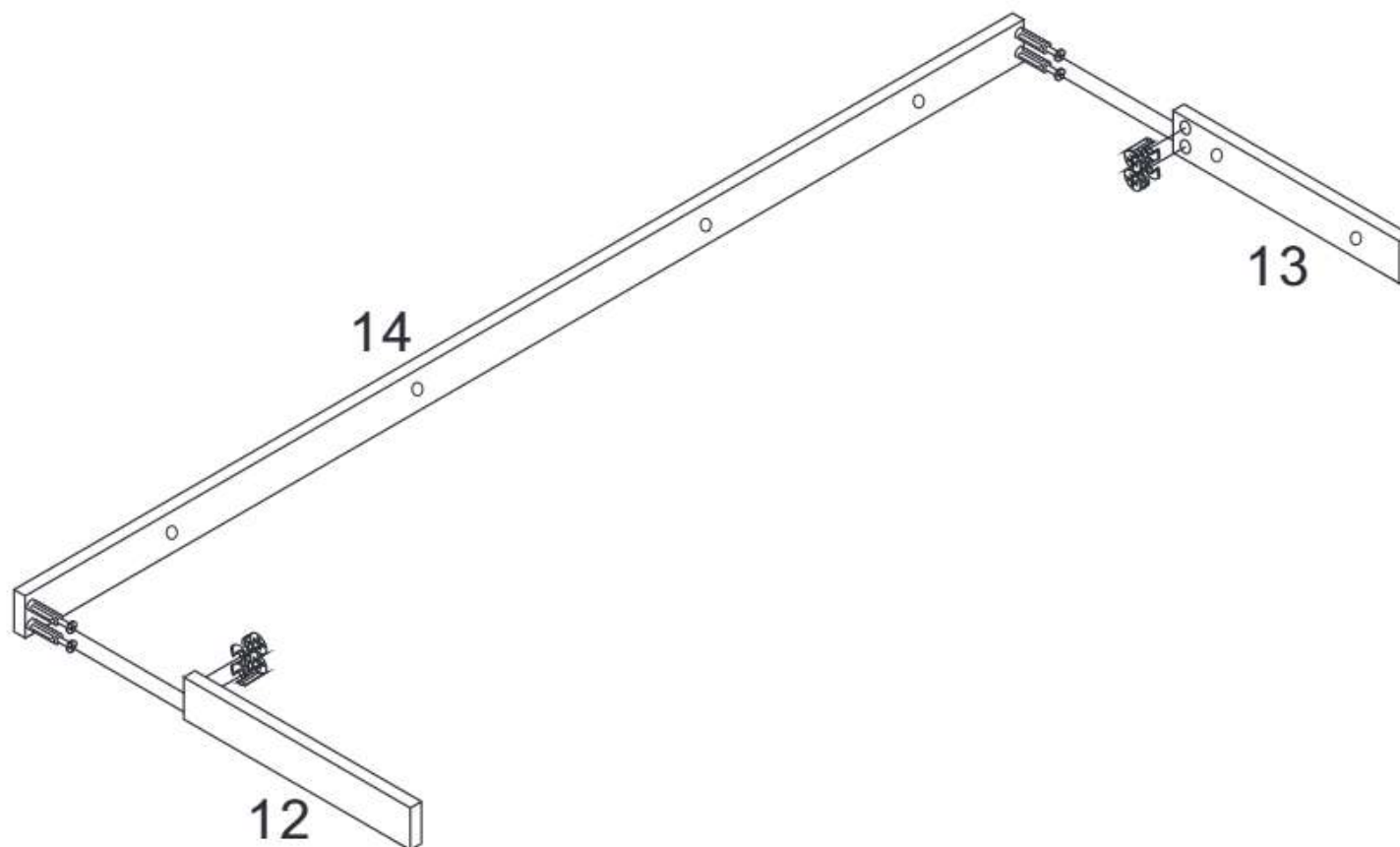
I. Install panel (23,23,23) as per diagram and slide them into the grooves until they are fully seated.



Step 15

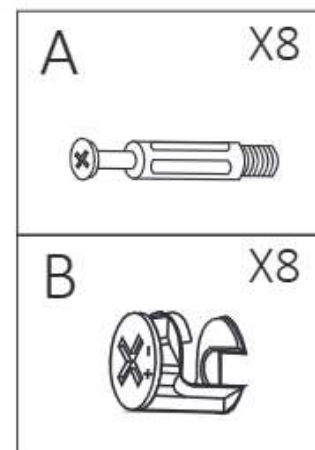
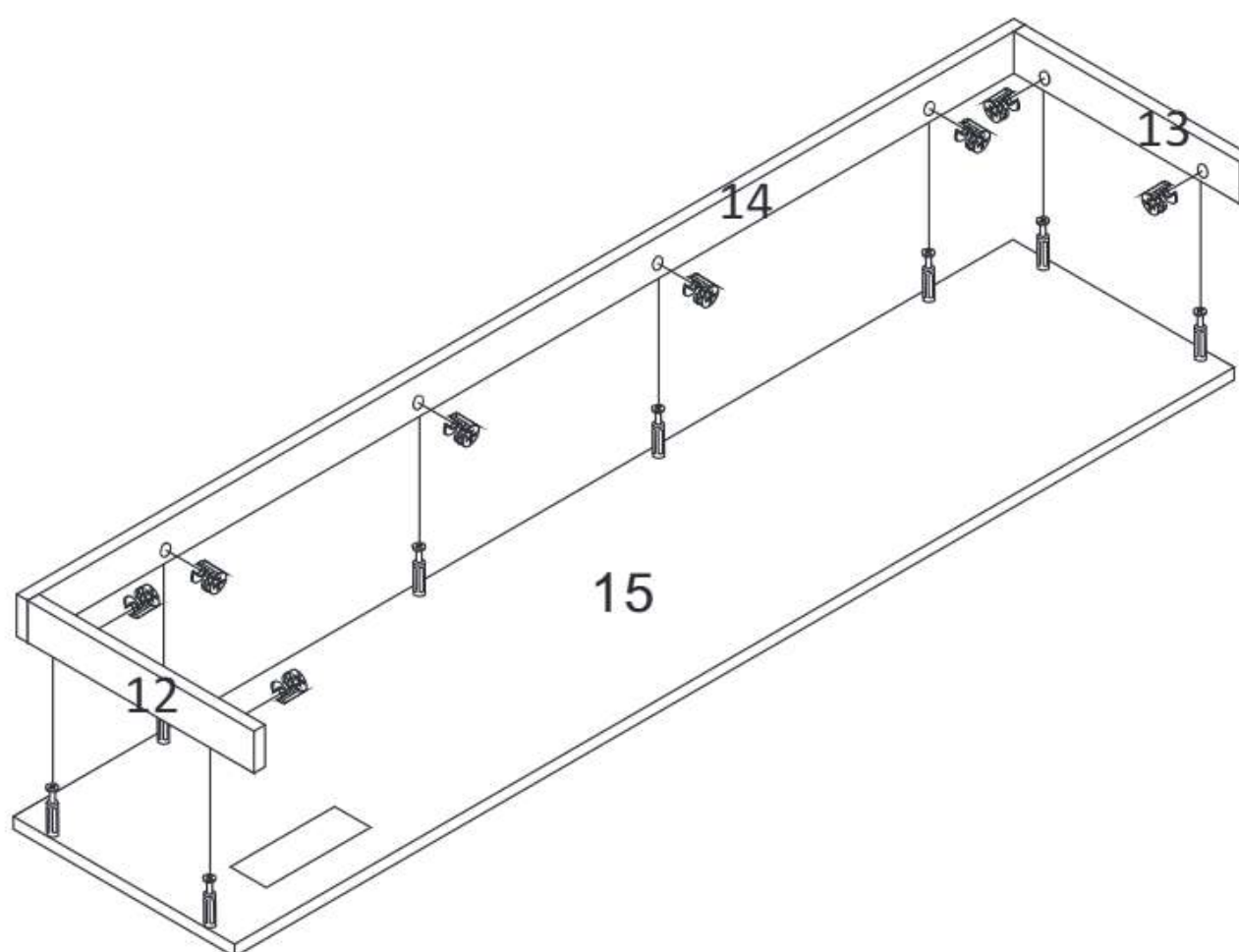
I.Screw in cam-bolt (A) into the designated holes on panel (14).

II.Attach panel (12,13) to panel (14),insert cam-lock (B) into the panel (12,13),then turn clockwise to lock onto cam-bolt.



Step 16

I.Attach the assembled panel (12,13,14) to panel (15),insert cam-lock (B) into the panel (12,13,14), then turn clockwise to lock onto cam-bolt.



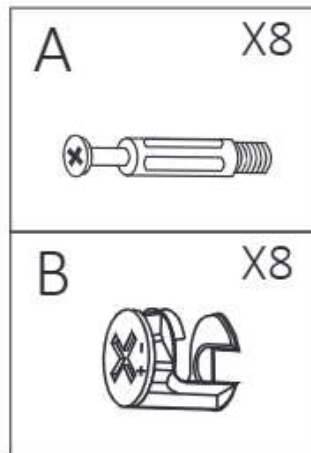
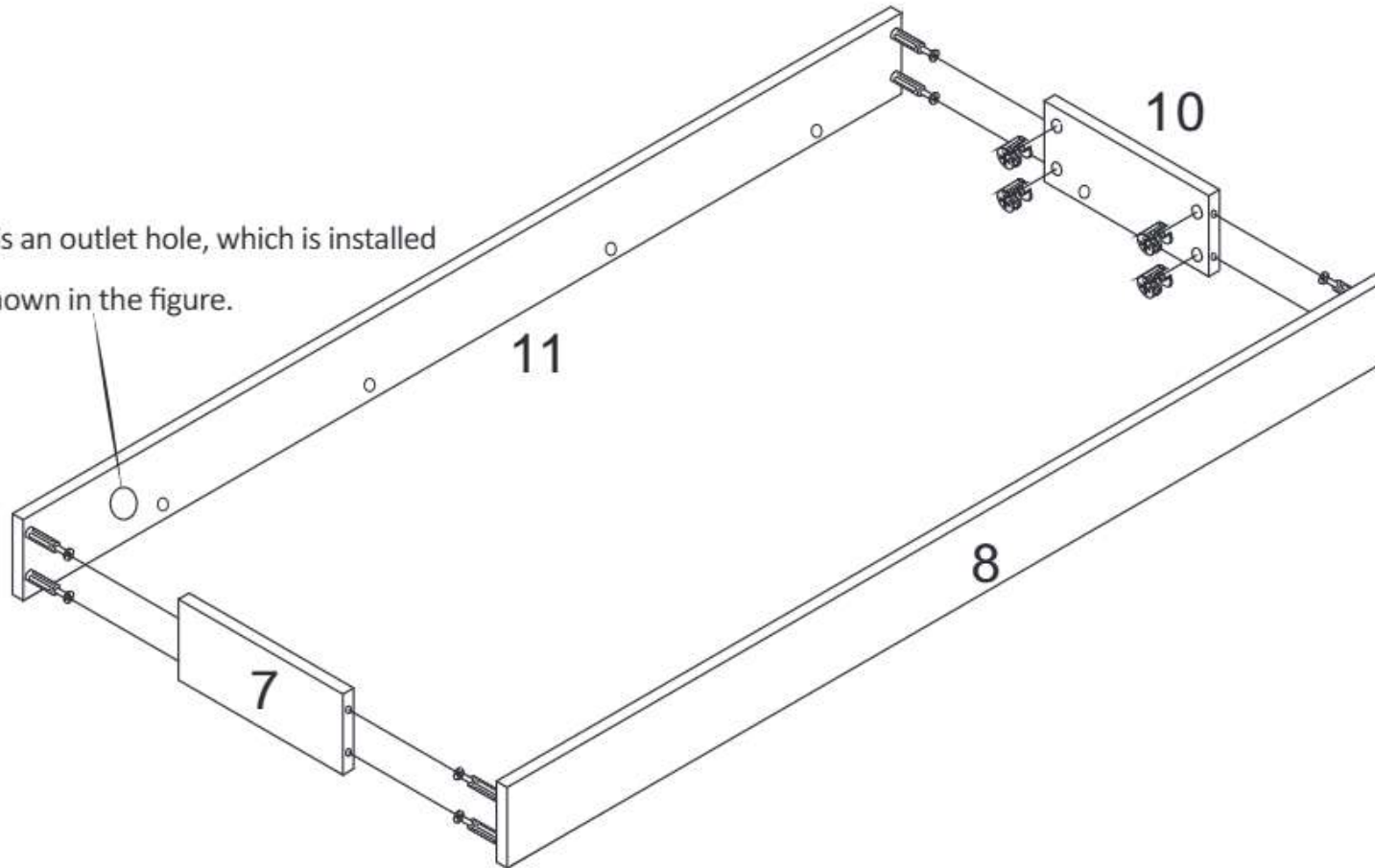
Step 17

I.Screw in cam-bolt (A) into the designated holes on panel (8,11).

II.Attach panel (7,10) to panel (11),insert cam-lock (B) into the panel (7,10),then turn clockwise to lock onto cam-bolt.

III.Attach panel (8) to panel (7,10),insert cam-lock (B) into the panel (7,10),then turn clockwise to lock onto cam-bolt.

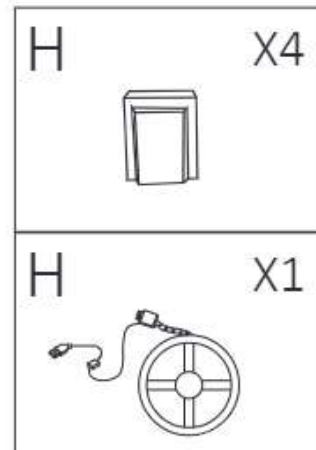
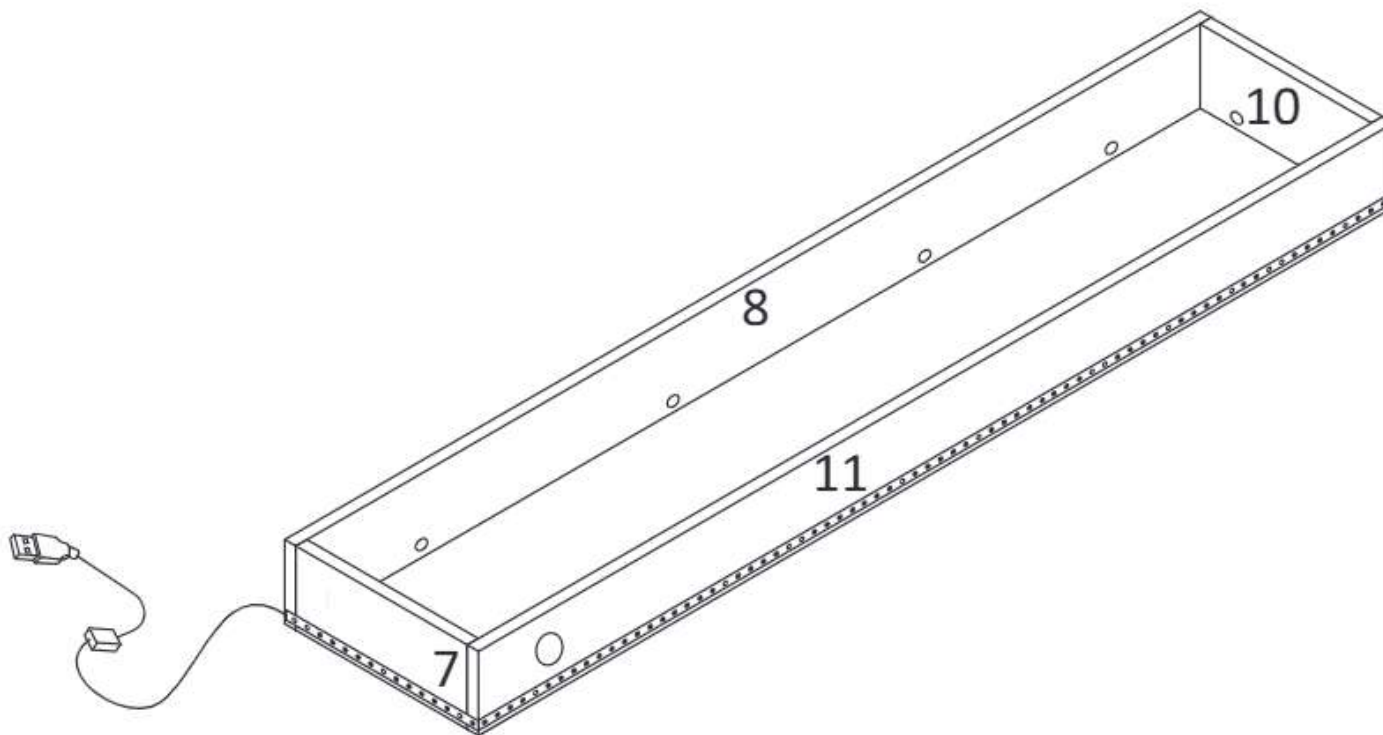
Note: This hole is an outlet hole, which is installed on the left as shown in the figure.



Step 18

I.Stick the light strip (H) on the panel (7,8,10,11).

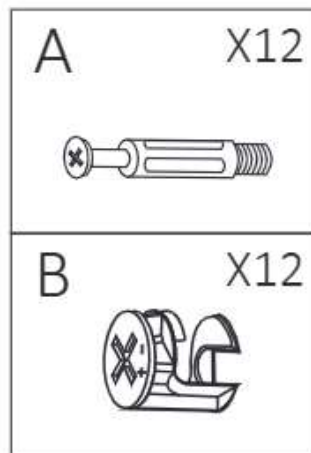
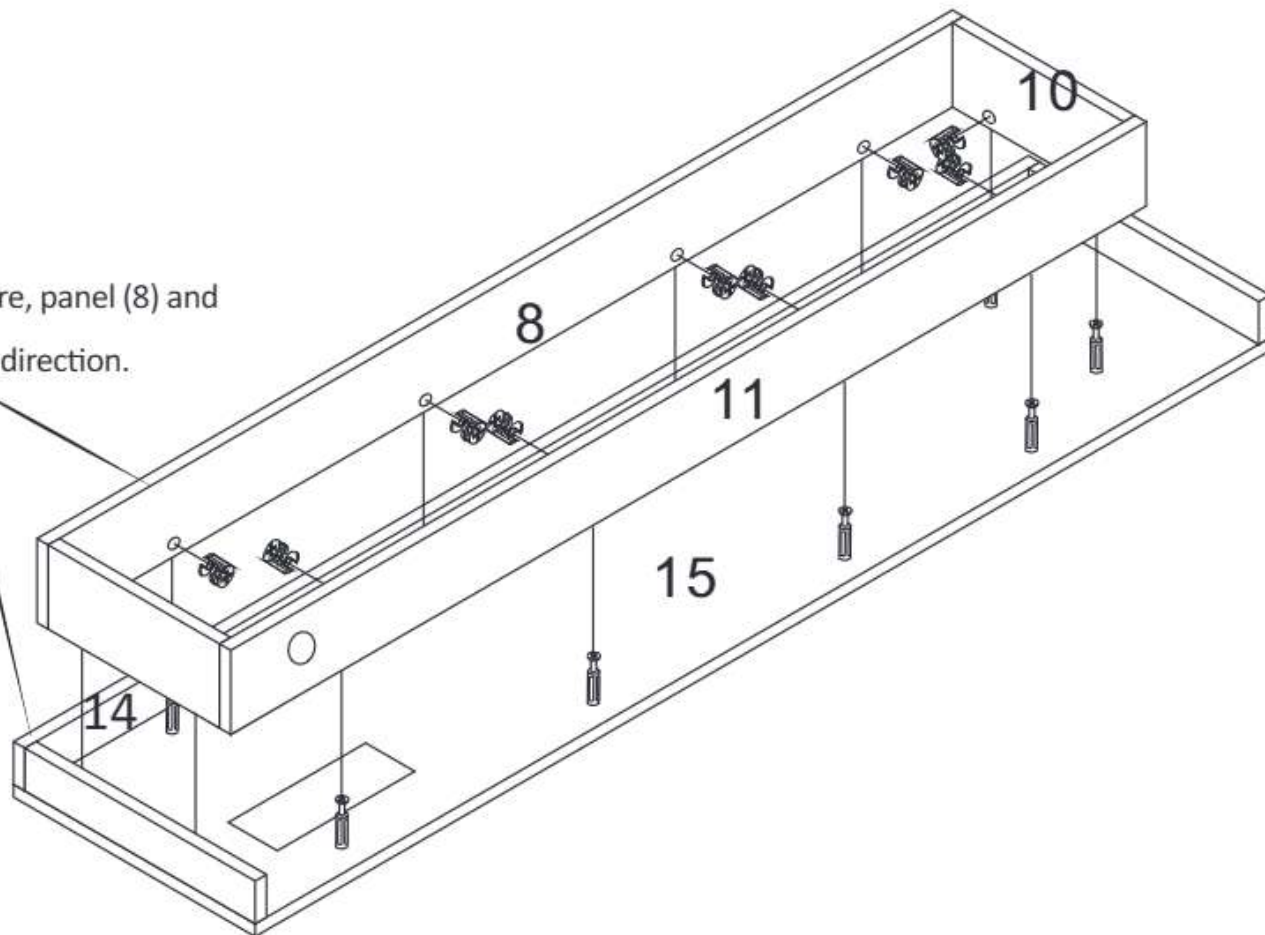
II.Clip the plastic clip (H) to the light strip (H) and stick it to the panel to make the light strip stick firmly to the panel. t



Step 19

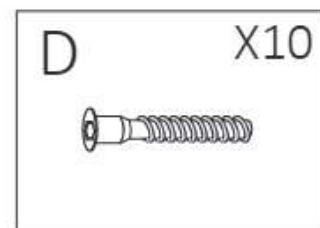
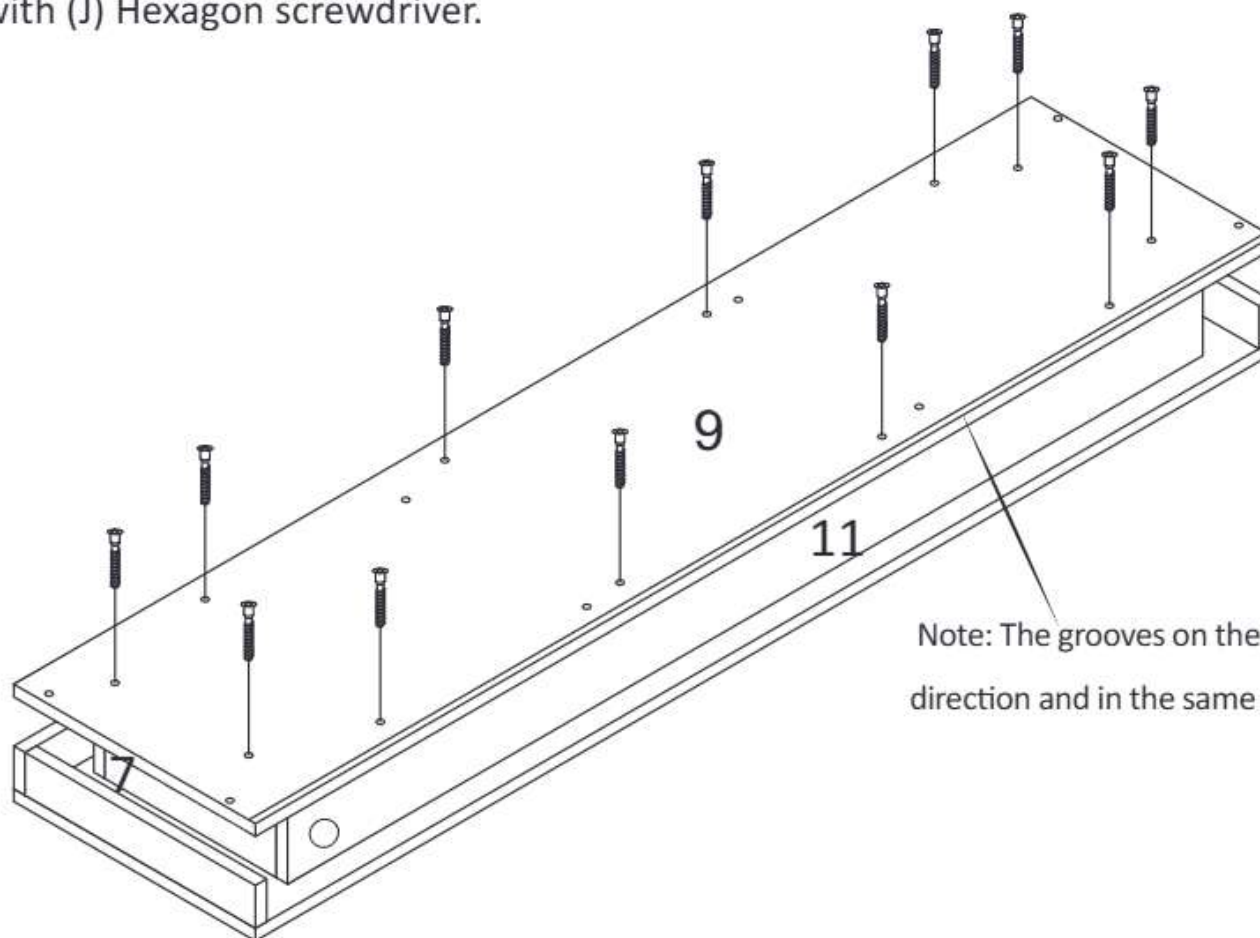
I. Attach the assembled panel (7,8,10,11) to panel (15), insert cam-lock (B) into the panel (7,8,10,11), then turn clockwise to lock onto cam-bolt.

Note: As shown in the figure, panel (8) and panel (14) are in the same direction.



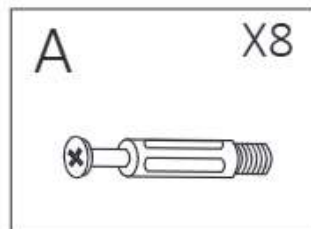
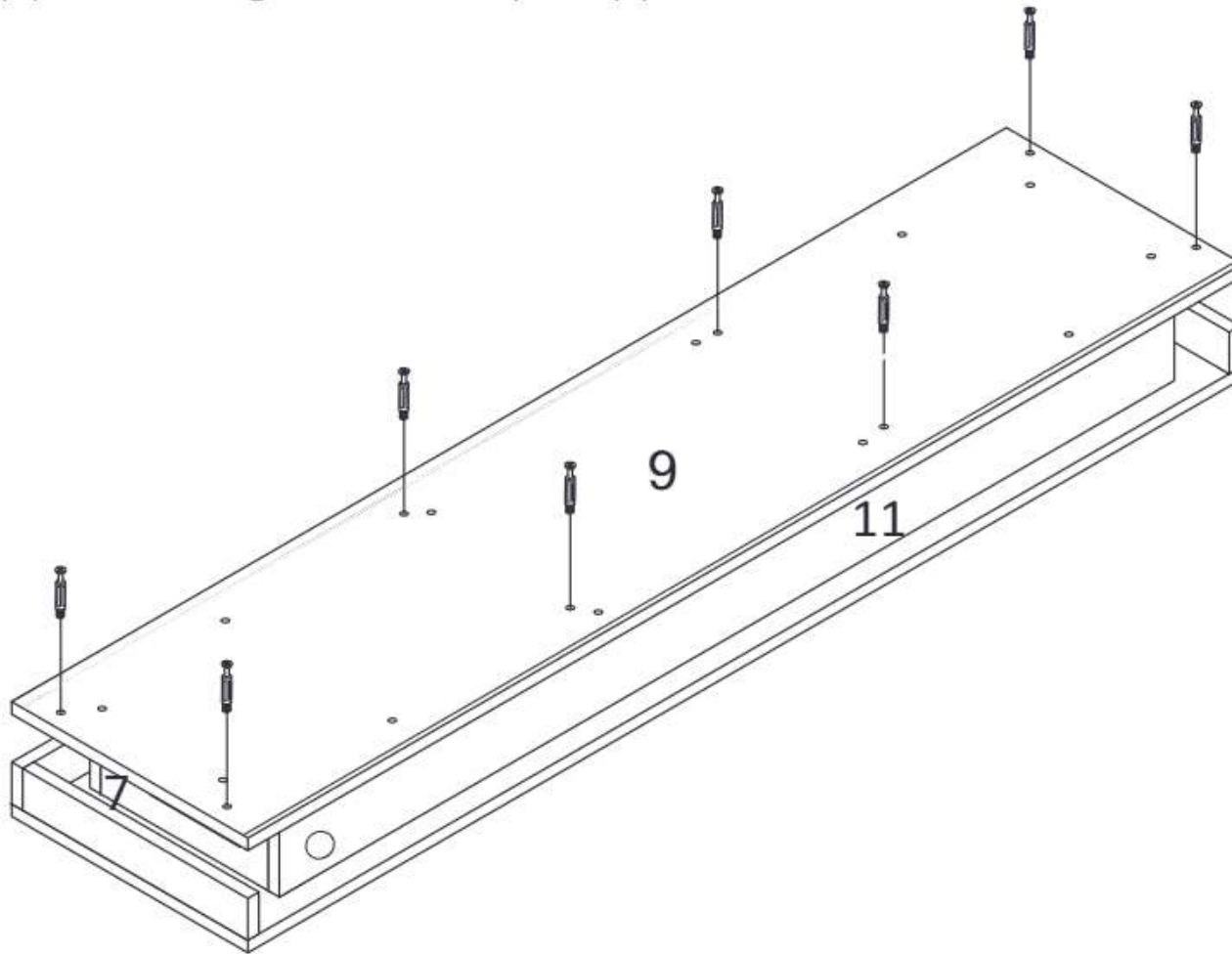
Step 20

II. Attach panel (9) to panel(7,8,10,11), using screw (D) attach panel (9) to panel (7,8,10,11) and tighten them with (J) Hexagon screwdriver.



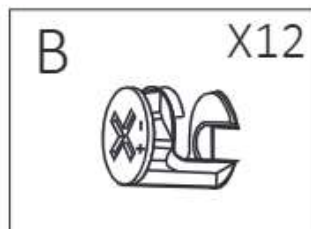
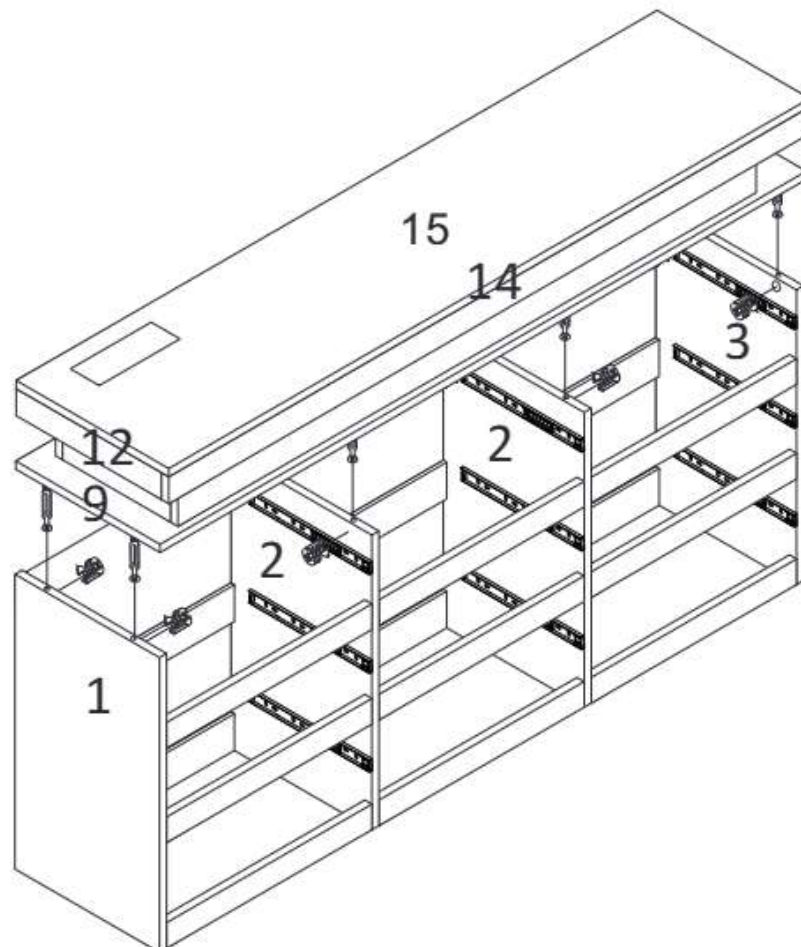
Step 21

I.Screw in cam-bolt (A) into the designated holes on panel (9).



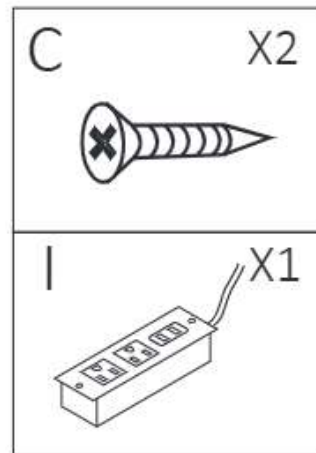
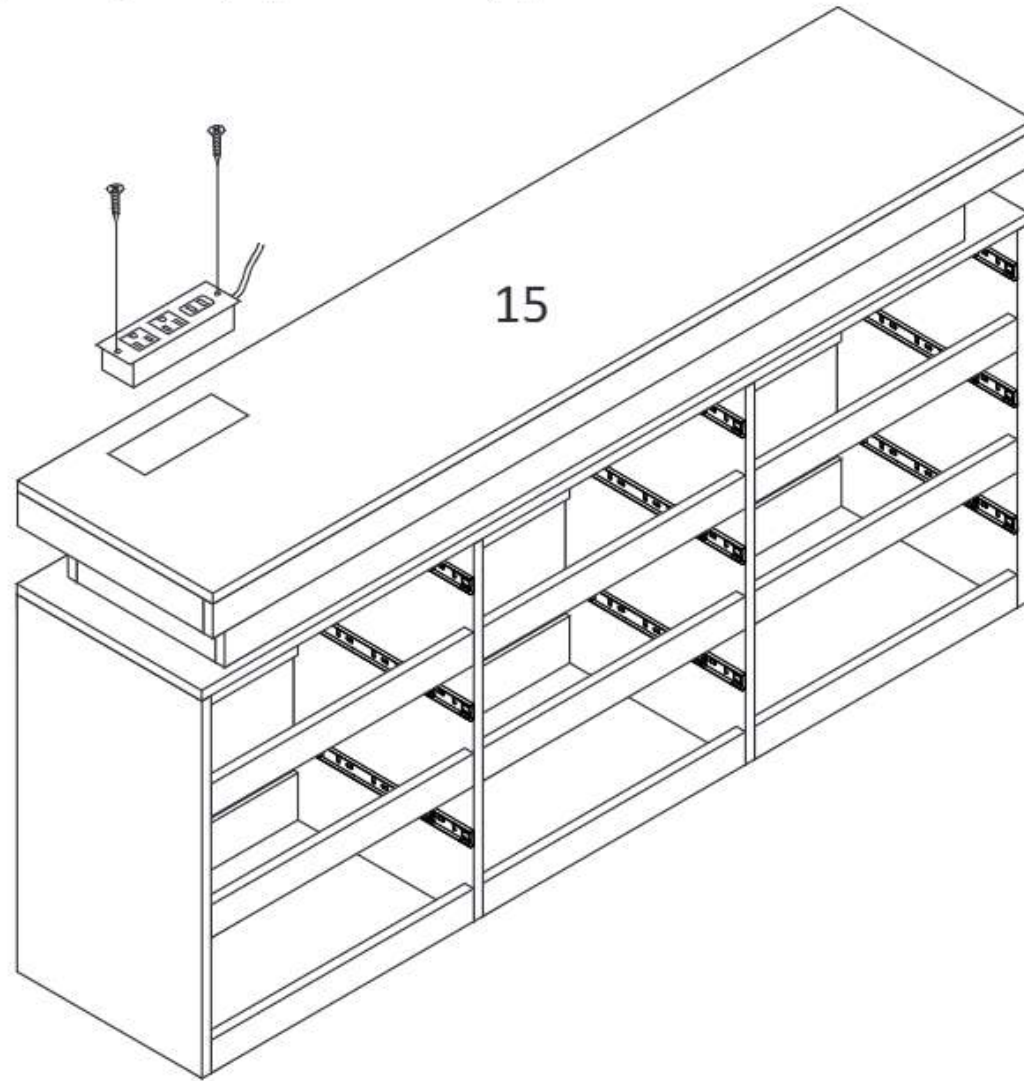
Step 22

I.Attach the assembled panel (7,8,9,10,11,12,13,14,15) to panel (1,2,2,3),insert cam-lock (B) into the panel (1,2,2,3),then turn clockwise to lock onto cam-bolt.



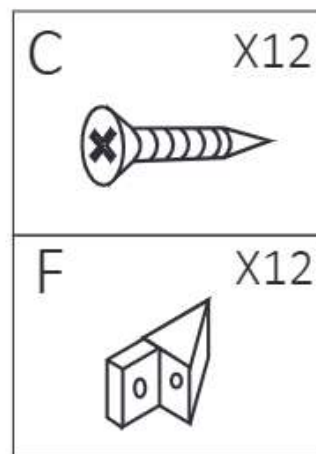
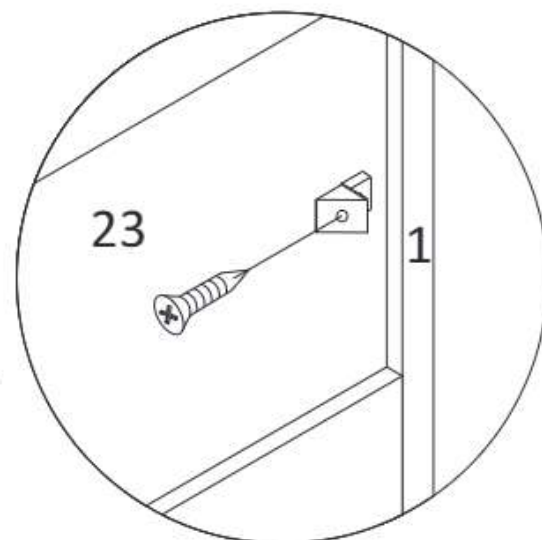
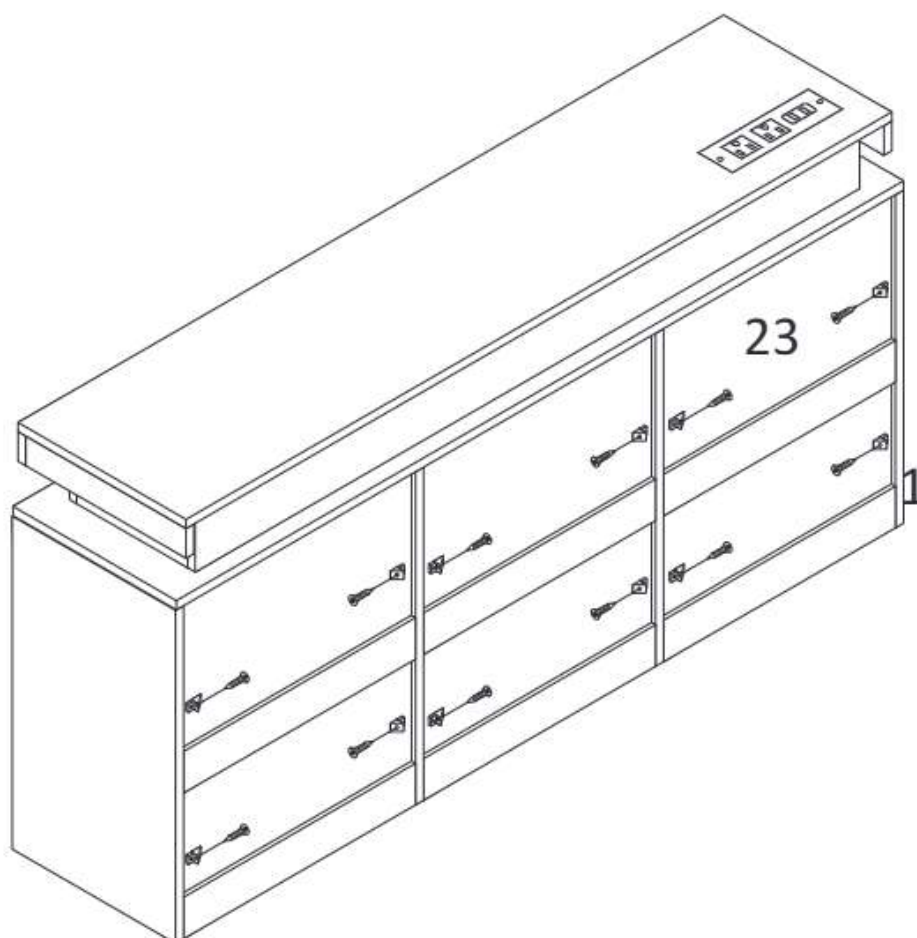
Step 23

I. Fix the charging station (I) to the panel (15) with screws (C).



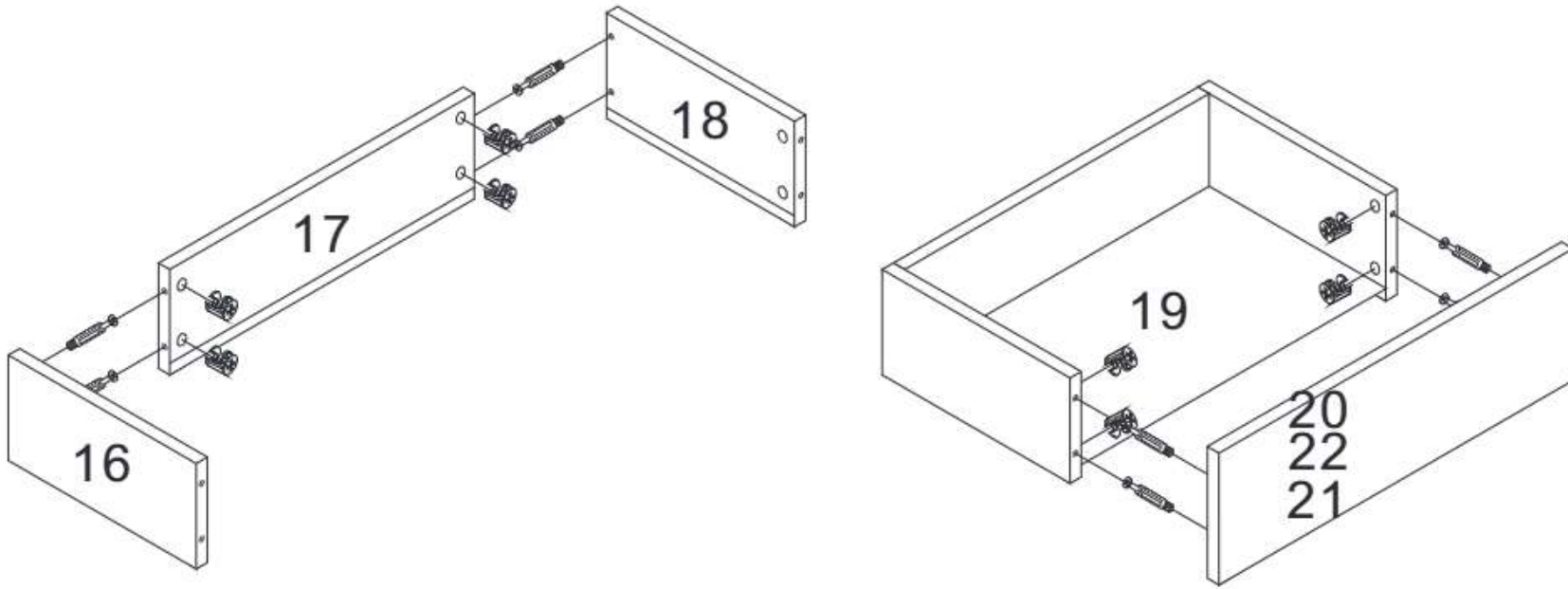
Step 24

I. Fix the charging station (I) to the panel (15) with screws (C).

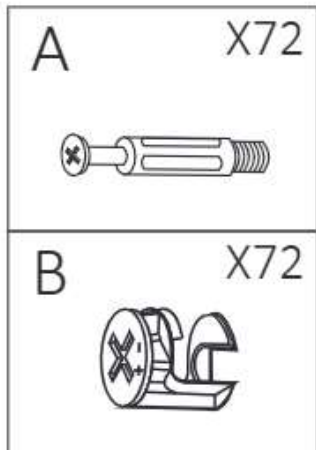


Step 25

- I. Screw in cam-bolt (A) into the designated holes on panel (16,18,20,21,22).
- II. Attach panel (16,18) to panel (17), insert cam-lock (B) into the panel (17), then turn clockwise to lock onto cam-bolt.
- III. Install panel (19) as per diagram and slide them into the grooves until they are fully seated.
- IV. Attach panel (20 or 21 or 22) to panel (16,18,19), insert cam-lock (B) into the panel (16,18), then turn clockwise to lock onto cam-bolt.

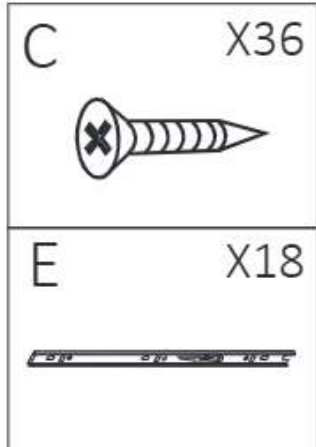
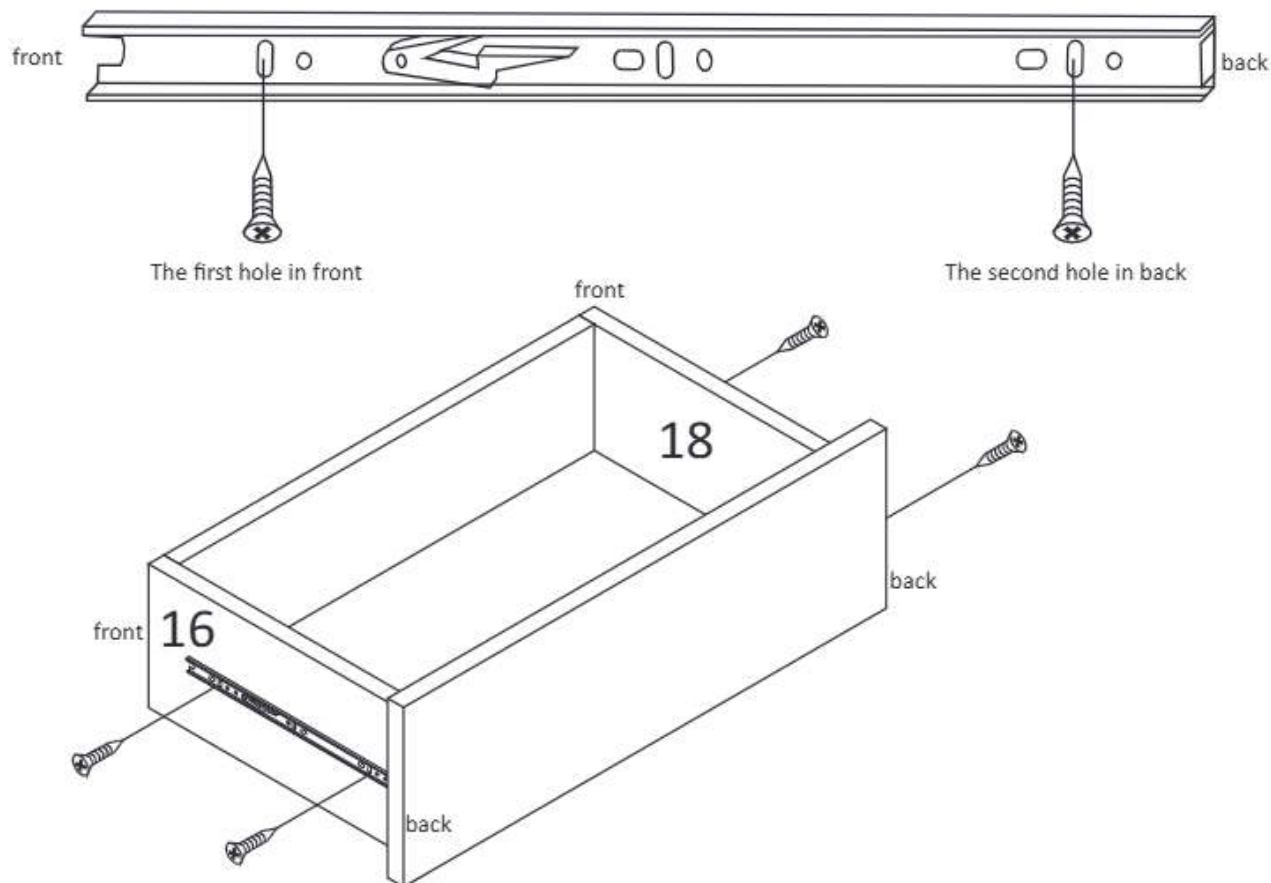


X9



Step 26

- I. Use screws (C) to secure the slide rail (E1) to the panel (16,18), and tighten them with a screwdriver.
- Note: For the correct orientation of slide rail (E1), please refer to the image.(front and back)



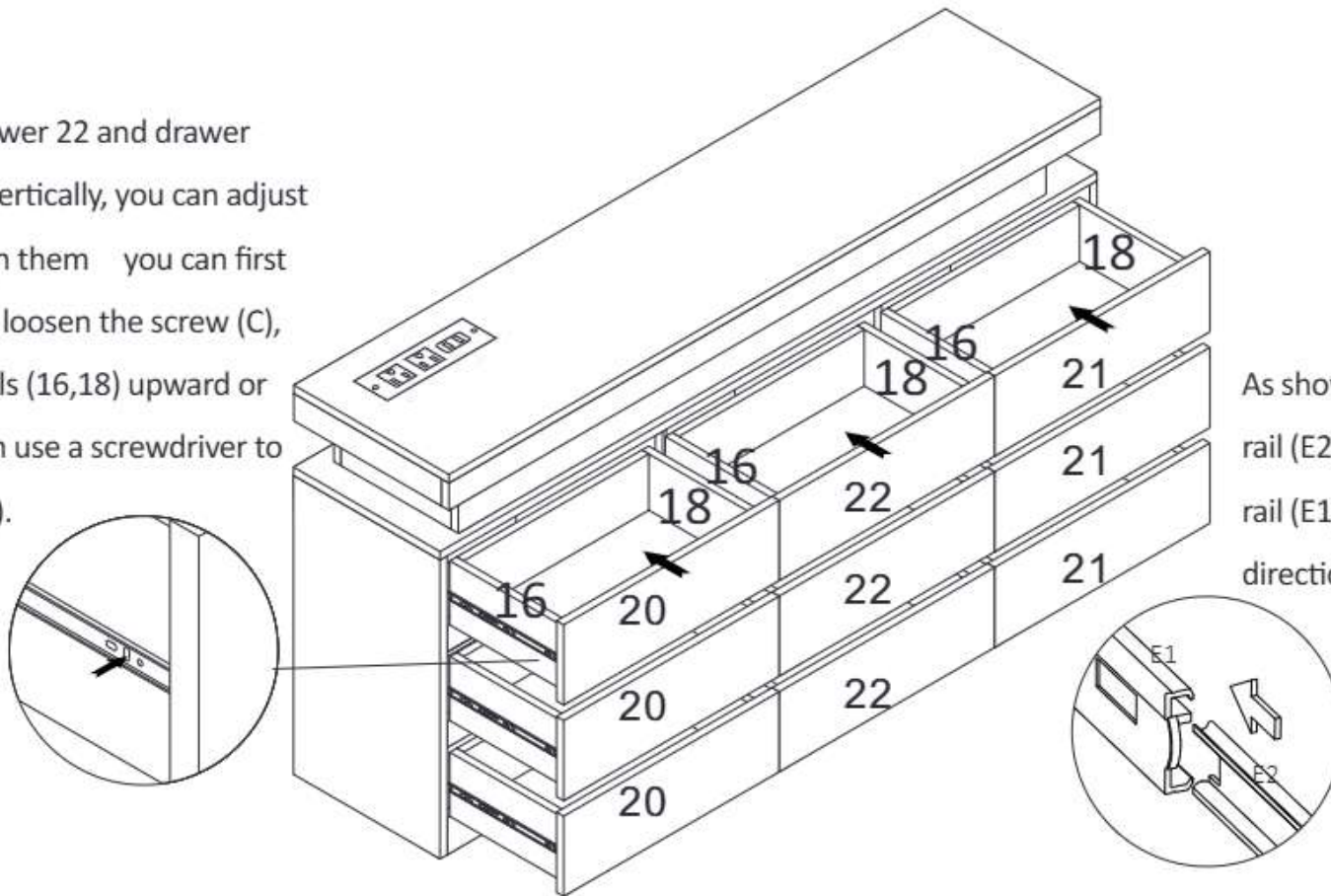
X9

Step 27

I. Install the assembled drawer on the cabinet.

Note: Please install the panel (21) of the assembled drawer on the right as shown in the figure, and install the panel (22) of the assembled drawer on the middle, and install the panel (20) of the assembled drawer on the left.

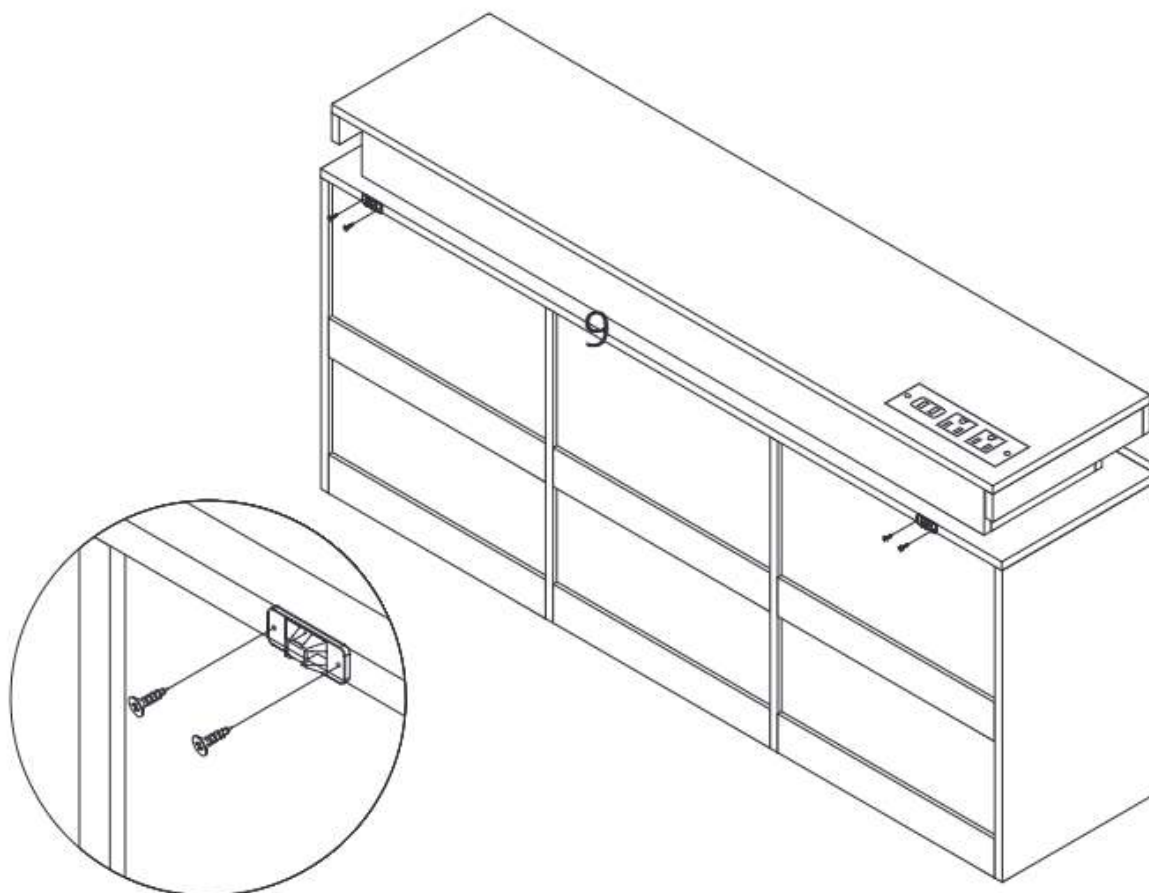
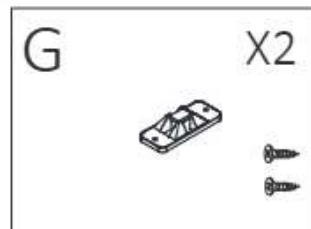
If drawer 20 and drawer 22 and drawer 21 are not aligned vertically, you can adjust this screw (C) to align them. You can first use a screwdriver to loosen the screw (C), then move the panels (16,18) upward or downward, and then use a screwdriver to tighten the screw (C).



As shown in the figure, the slide rail (E2) is aligned with the slide rail (E1), and then push it in the direction of the arrow.

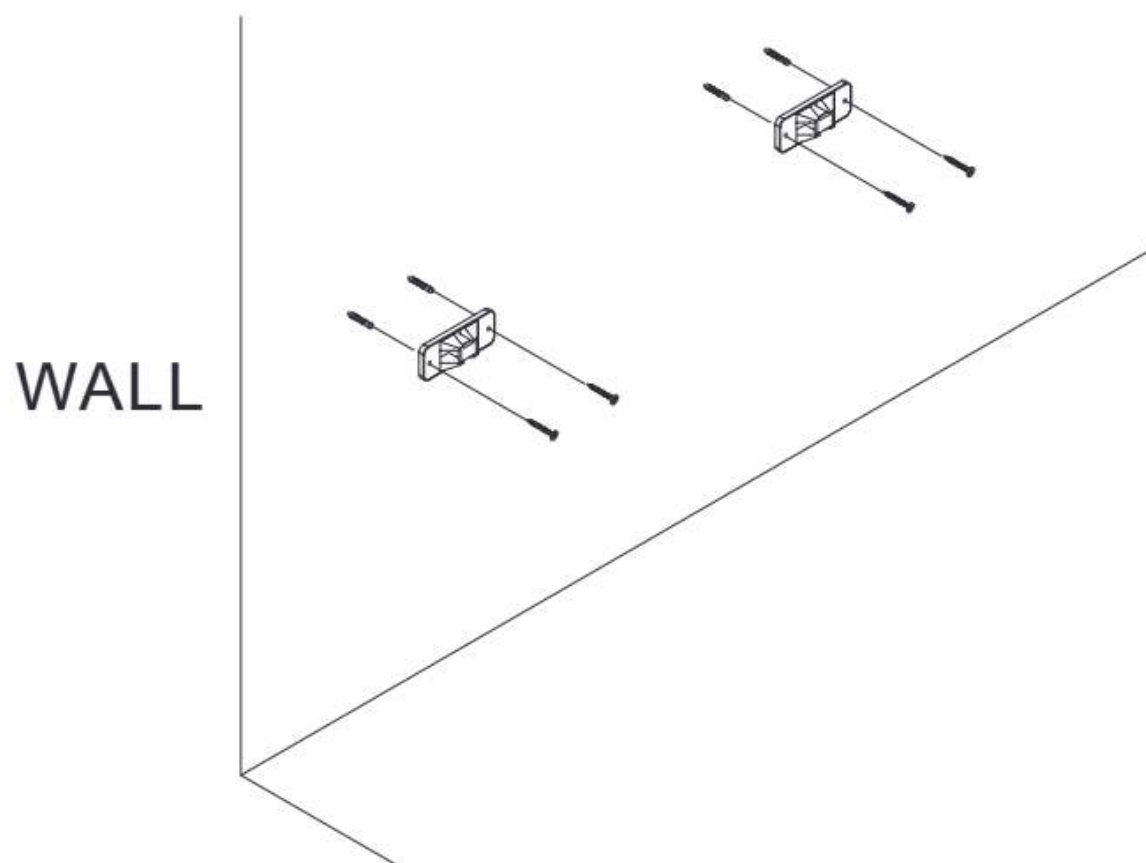
Step 28

I. Install anti-tilt accessories: As shown in the figure, use short screws (G) to fix 2 pieces of plastic sheet to the panel (9).



Step 29

- I. Mark the drill position on the wall with a pencil.
- II. Drill a small hole on the marked position.
- III. Insert the plastic peg into the drilled hole..
- IV. Fix the plastic sheet to the plastic peg with a long screw.



Step 30

- I. Use plastic strips to connect the plastic plate on the panel (9) to the plastic plate on the wall.

