

MX19227-4WH-P

OPERATIONS MANUAL



4 MODERN
4 HOME

Assembly & Installation Instructions

Dear Customer :

Thank you for choosing 4modernhome!

We appreciate your business. Should you have **any questions** or encounter **any issues**, please don't hesitate to contact us. You can reach us via email at **support@4modernhome.com** or by **calling 469-312-6428**. Our team is dedicated to ensuring your complete **satisfaction** with your purchase. We value your feedback, as it helps future customers in making informed decisions. We encourage you to share your experience by leaving a brief product review on the platform where you made the purchase. Additionally, you can scan the **provided code for an installation video** to assist you further. Once again, thank you for choosing 4modernhome!

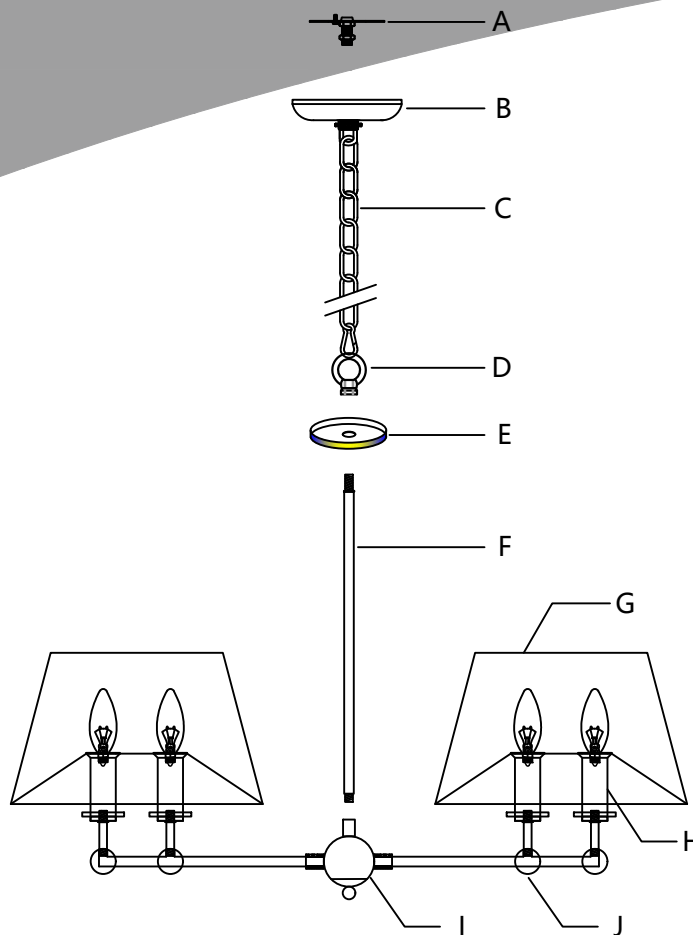
Best regards!

[4Modern home/Support Team]

Warning: If any special control devices are used with this fixture, follow the instructions carefully to assure full compliance with N.E.C.requirements. If there are any questions, contact a qualified electric contractor.

Warning: California Residents Proposition 65
This product contains lead, a chemical known to the state of California to cause cancer and birth defects or other reproductive harm. Do not place the product in your mouth. Wash your hands after handling this product.

Caution: It is highly recommended to get an electrician to install this light. Please make sure to turn the electricity off at the main circuit breaker before beginning installation. All glass is fragile. Use care when handling glass component(s)and/or lamp(s).



Installation video

Applicable bulbtype:
B10、CA10
(Not included)



E12

(Rated 120V/60Hz, bulb 60W maximum.)

WIRE CONNECTION DIAGRAM

Wires meeting safety standards are required to connect the electrical circuit.

CAUTION: Risk of fire

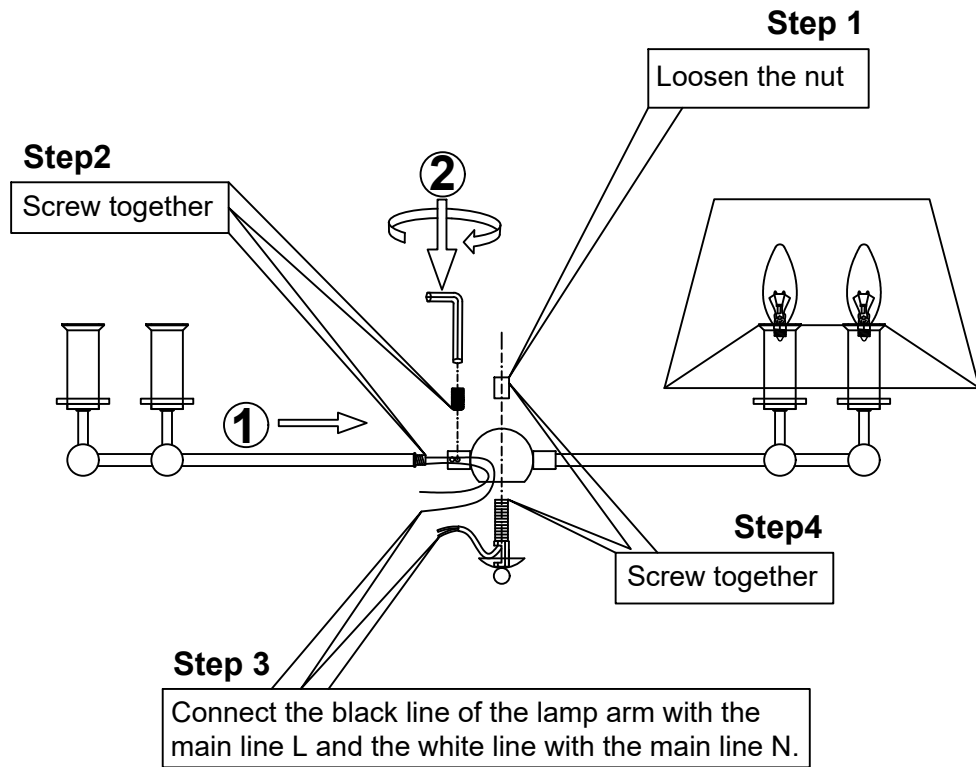


Please read all instructions carefully. Before you proceed to install, make sure that the power supply is turned off and remains off until installation is completed.

PARTS INCLUDED

Code	Part Description	QTY
A	Mounting Bracket	1 PCS
B	Canopy	1 PCS
C	Chain	1 PCS
D	Lifting Ring	1 PCS
E	Cover	1 PCS
F	Central Pipe	1 PCS
G	Lamp Shade	2 PCS
H	Metal Pipe	4 PCS
I	Lamp Body	1 PCS
J	Lamp Arm	2PCS

Assembly and Installation Steps



Step 7

7A. Lock the crossbar to the junction box of the ceiling by using 2 pcs of 5/32 screws in the accessories bag.

7B. Connect the wires. The hot/positive wire (+) has an "L" label on it. The other one is the negative wire (-) has an "N" label on it. And the bare cooper is the ground wire.

7C. Attach the canopy to the ceiling with screws

