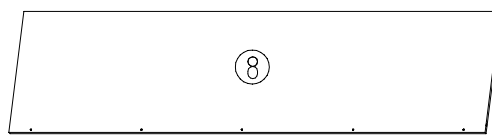
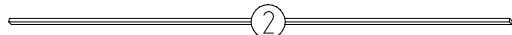


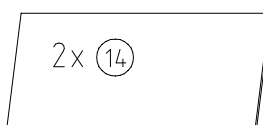
2205x560x15



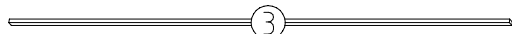
2205x560x15



2204x32x15

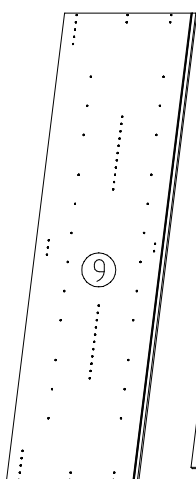


2x 14

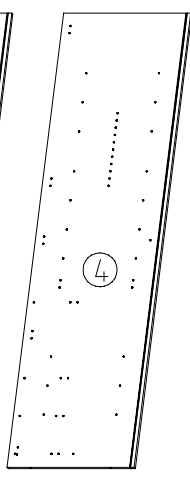


2204x32x15

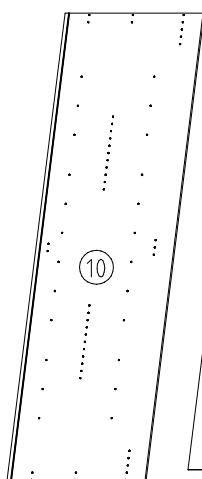
1095x500x18



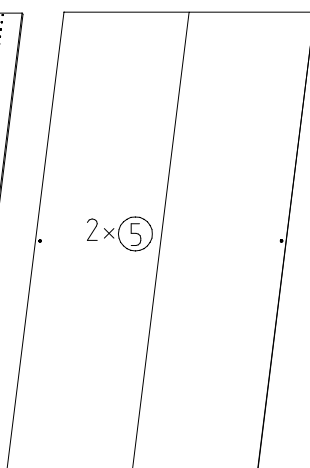
2064x577x15



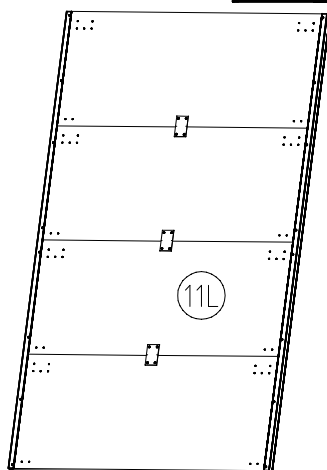
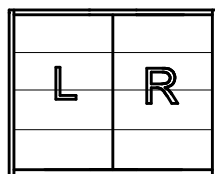
2001x560x15



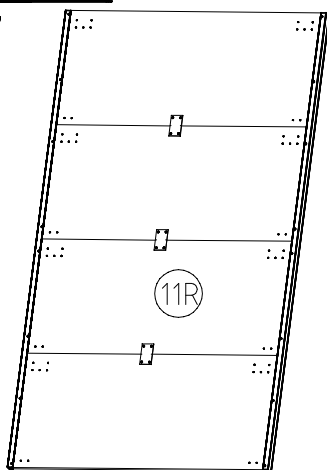
2064x607x15



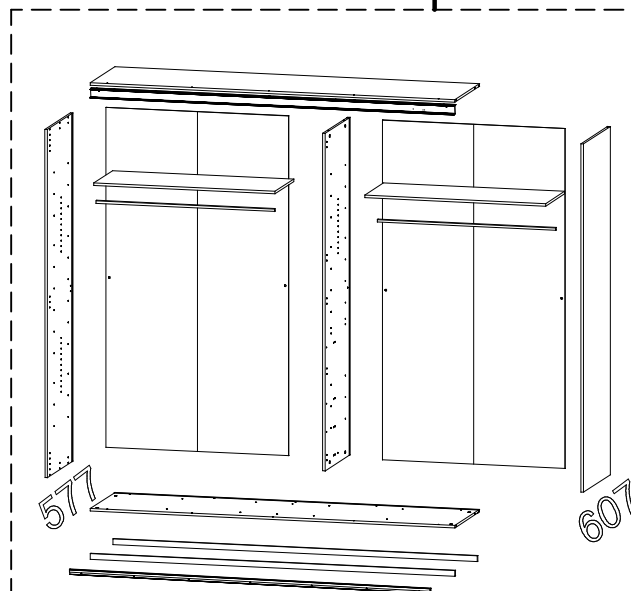
2015x1104x2,5

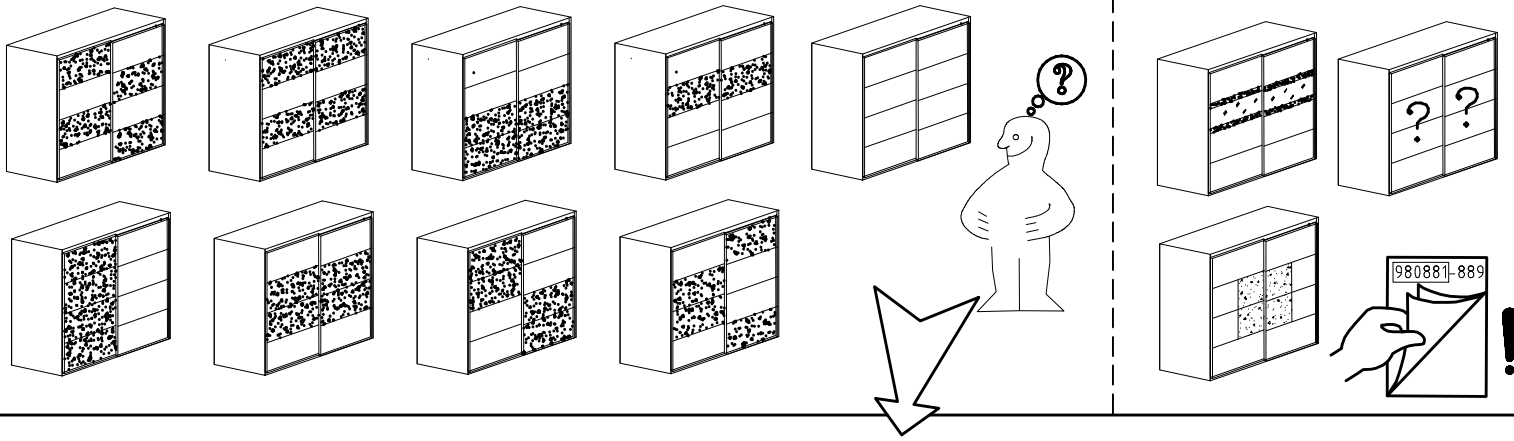


2018x1135x15



2018x1135x15





1x **FPN**  
1316/1760  
2204/2648/3092/3536

1x **LP**  
1316/1760  
2204/2648/3092/3536

<b>SWH1</b>	2x	<b>SWH 6</b>	2x	<b>SWH-ST</b>	2x	<b>SP13</b> 4 X 13mm	65x
<b>SWH2</b>	1x	<b>SWH 7</b>	2x	<b>SWH-MS</b>	2x	<b>G24</b> 3,5 x 22 mm	9x
<b>SWH3</b>	1x	<b>SWH-SKL</b>	1x	6,3 x 10,5 mm <b>T2</b>	24x	<b>GH13</b> M4 x 13 mm	5x
<b>SWH-D</b>	1x	<b>SWH-SKR</b>	1x	111 030 <b>H5</b>	6x	<b>G43</b> M4 x 10 mm	5x

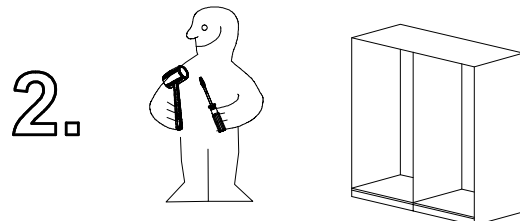
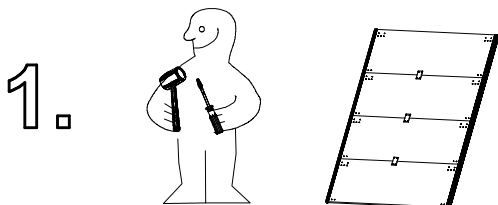
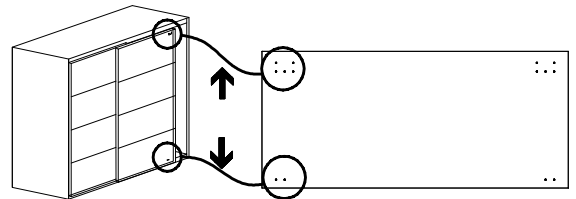
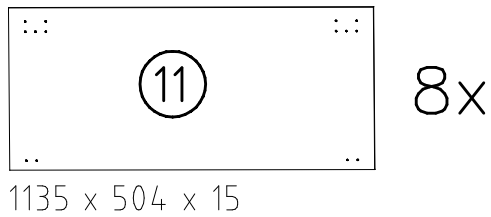
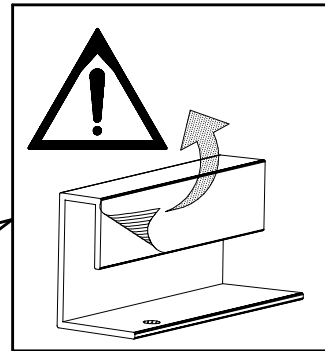
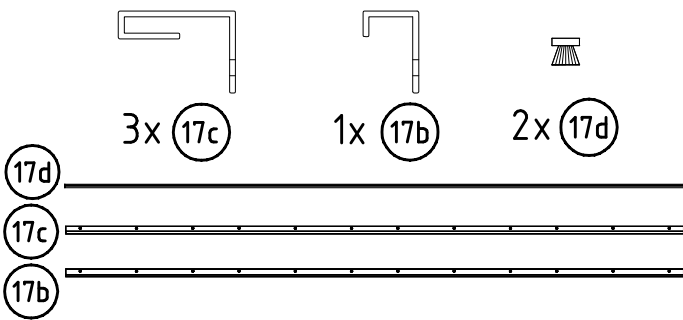
<b>A</b>	12x
<b>C</b>	12x

M6 x 11 mm <b>T6</b>	4x
<b>J1</b>	4x

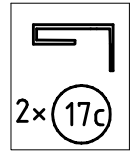
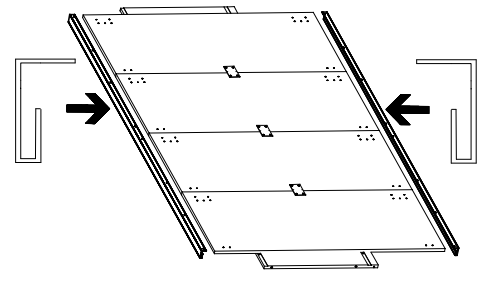
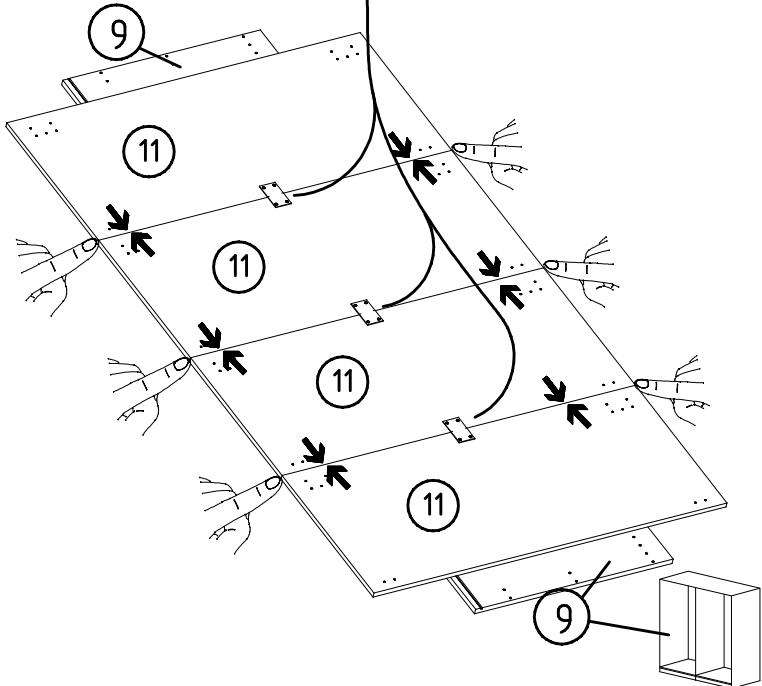
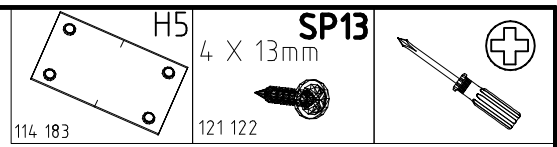
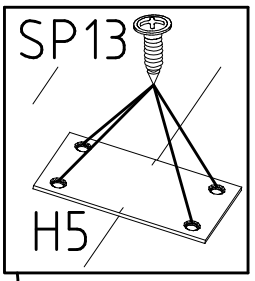
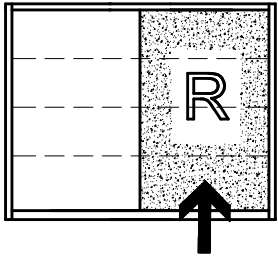
<b>L7</b>	8x
<b>K1</b>	4x

3,5 x 35 mm <b>G14</b>	10x
3,5 x 15 mm <b>G1</b>	8x

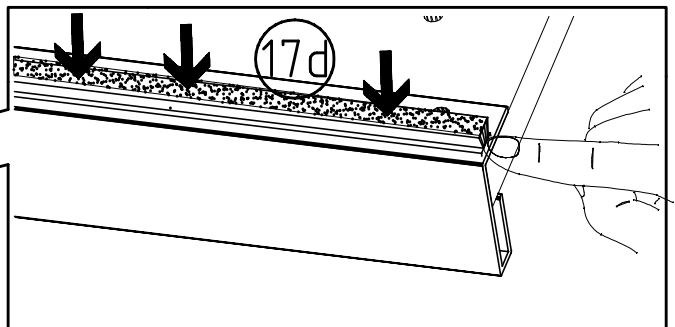
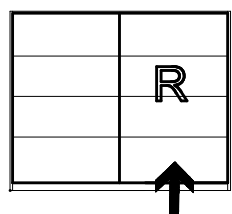
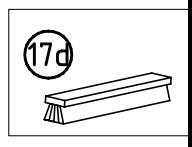
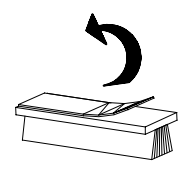
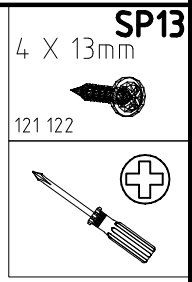
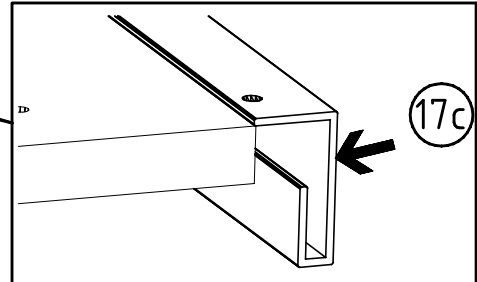
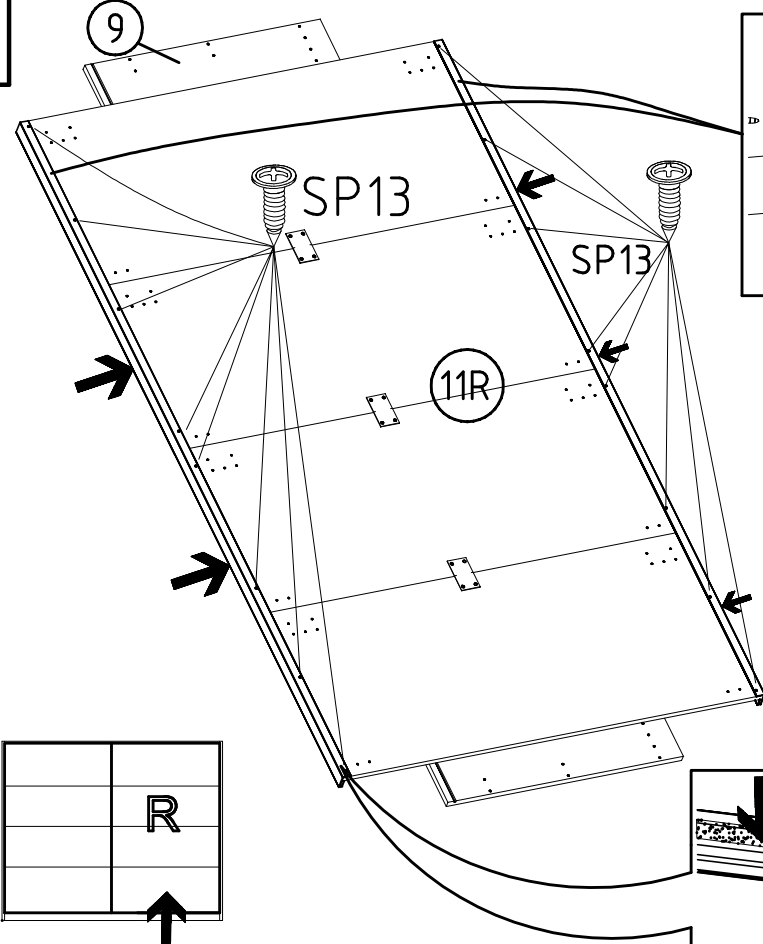
<b>K22</b> 1088mm	2x
----------------------	----



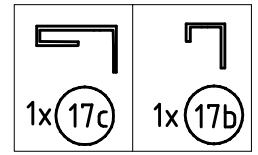
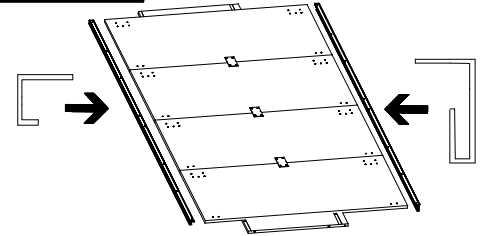
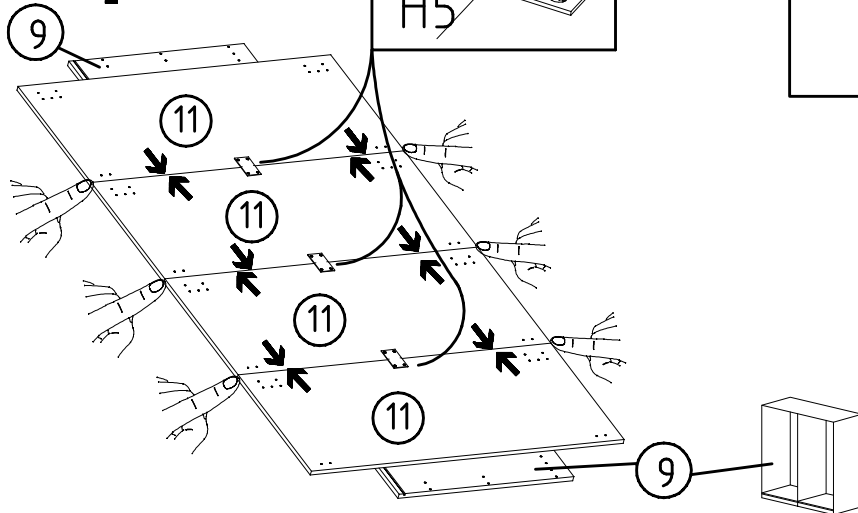
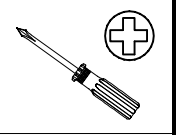
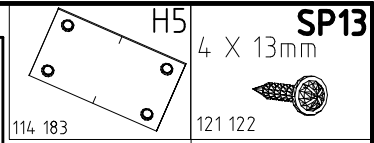
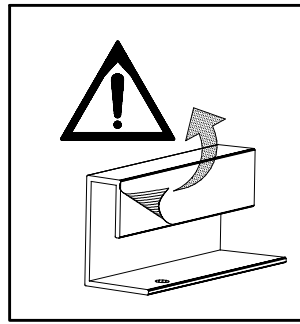
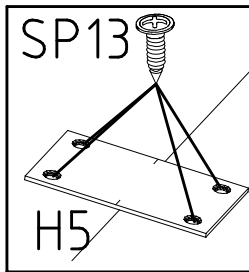
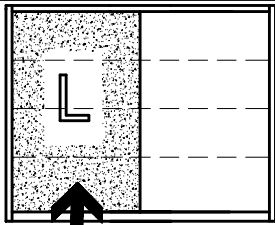
1



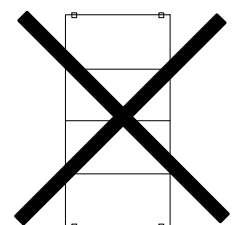
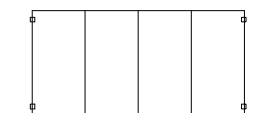
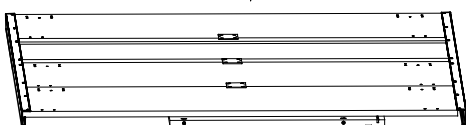
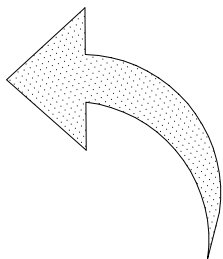
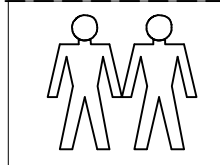
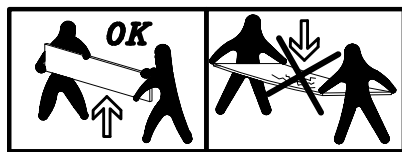
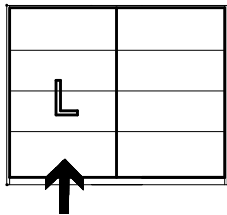
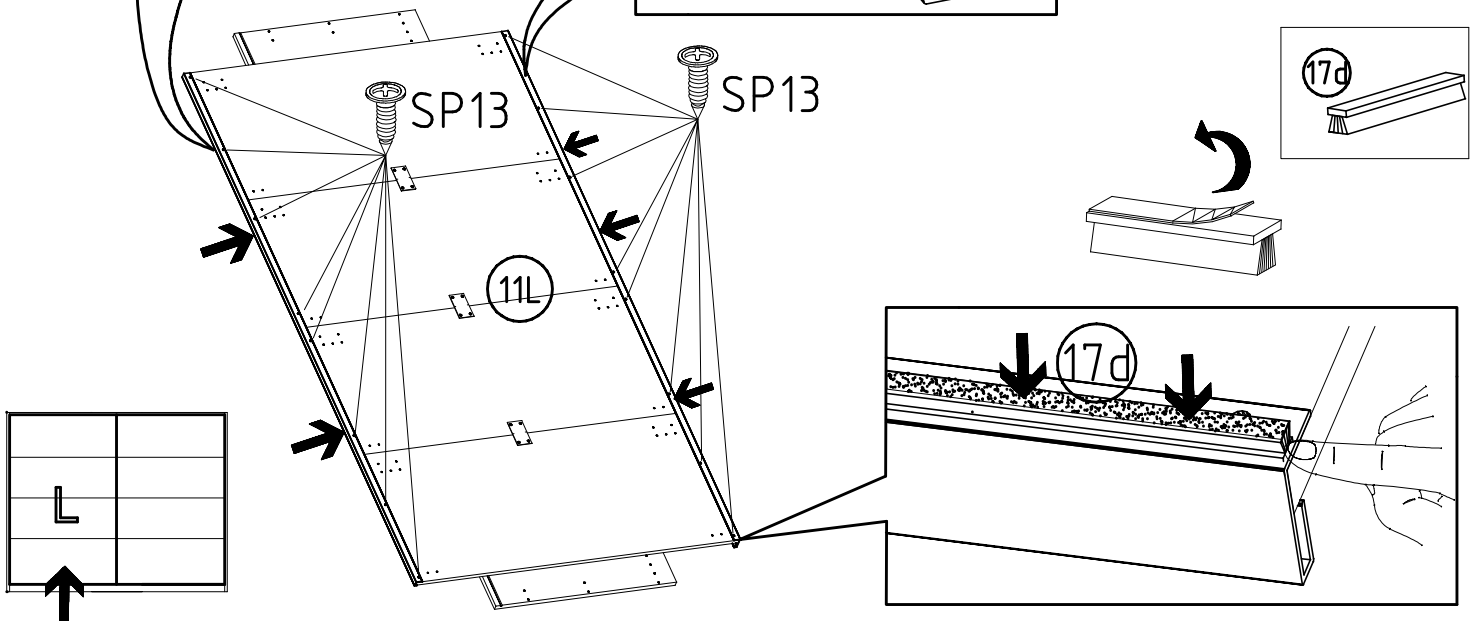
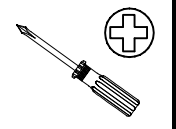
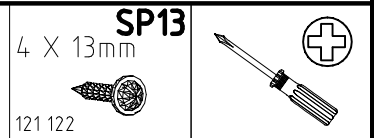
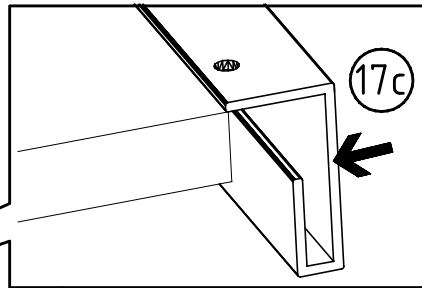
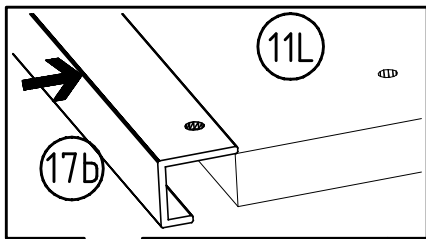
2



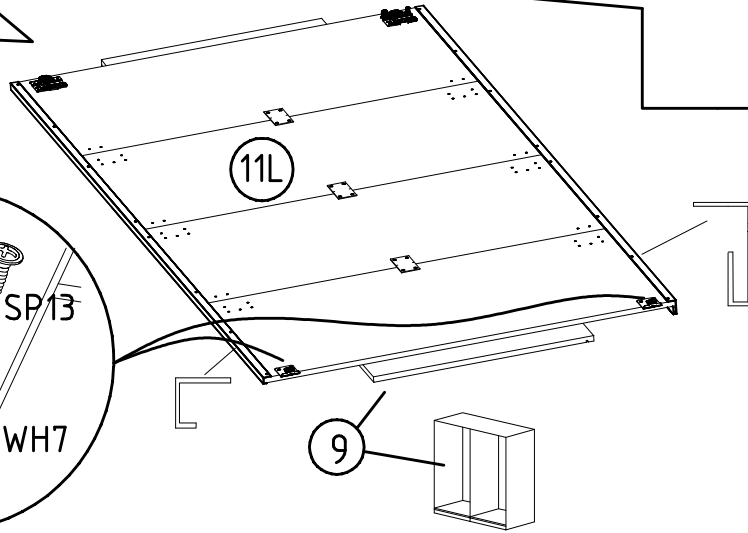
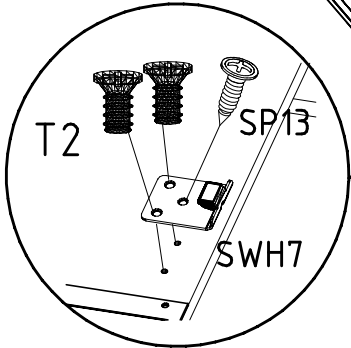
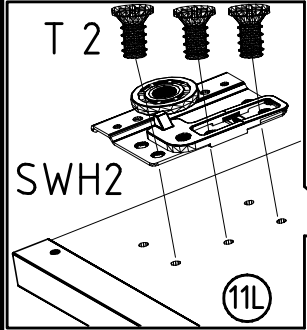
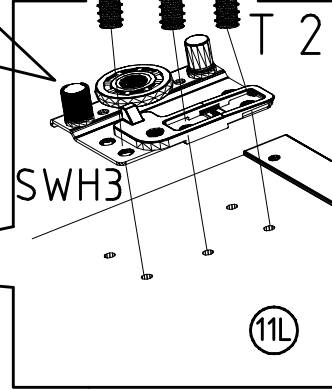
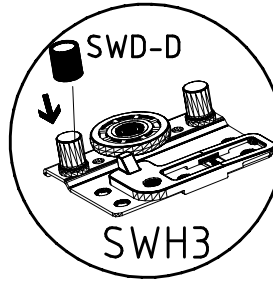
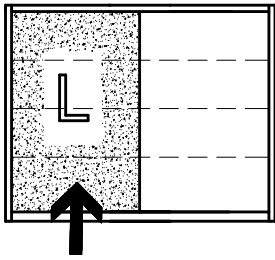
3



4

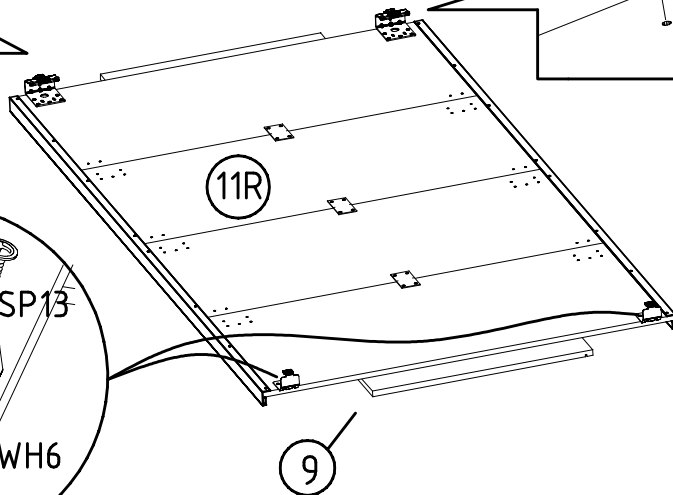
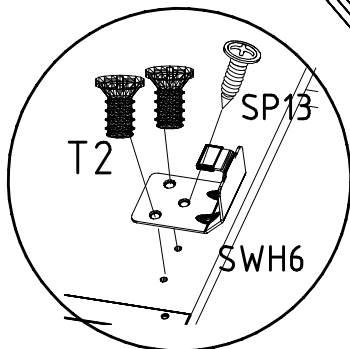
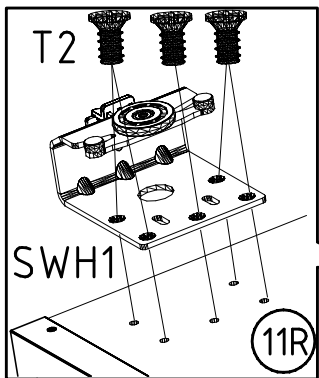
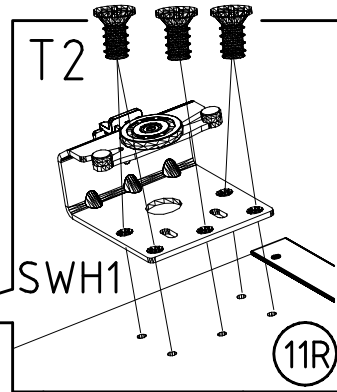
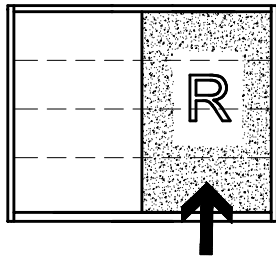


5

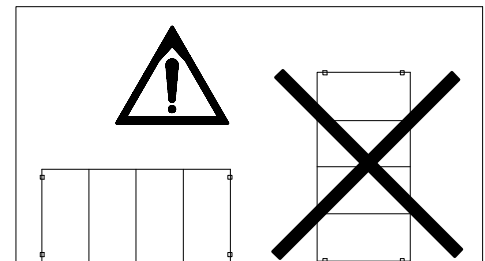


- SWH2
- SWH3
- SWH 7
- SWH-D
- 6,3 x 10,5 mm T2
- 111.030
- SP13
- 4 X 13mm
- 121 122
- +

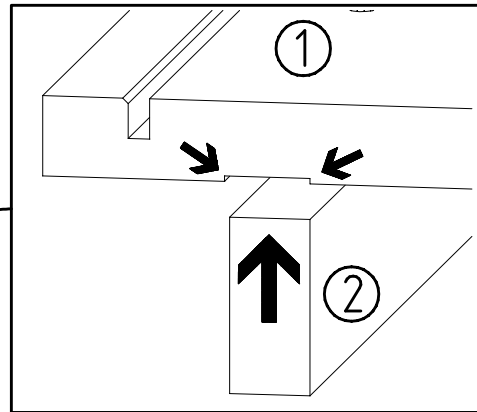
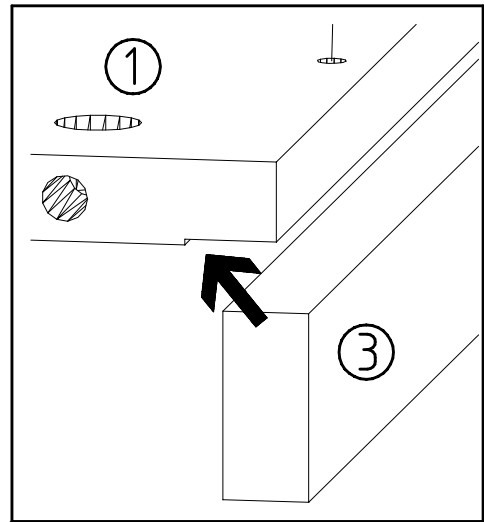
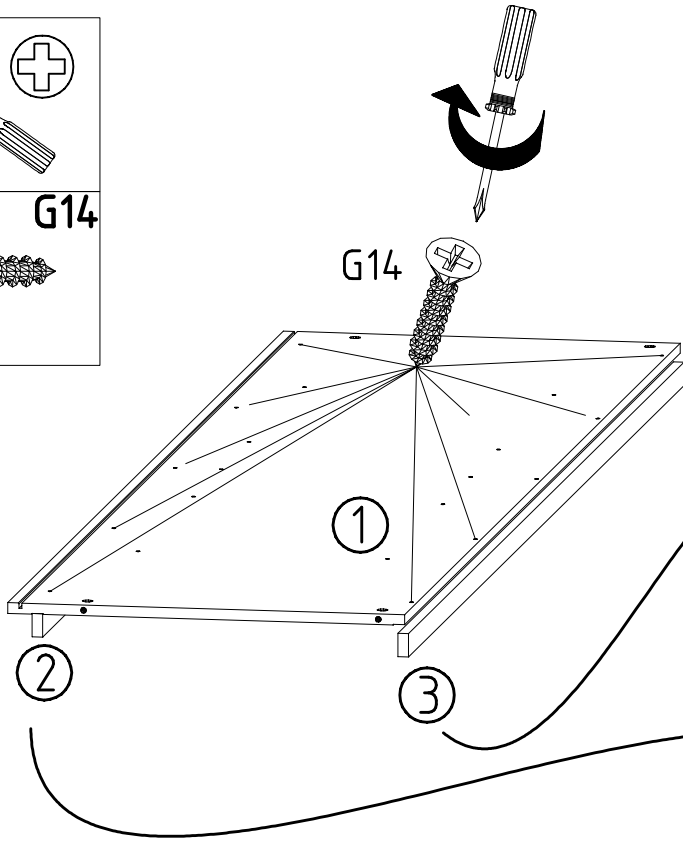
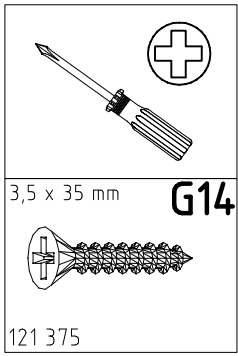
6



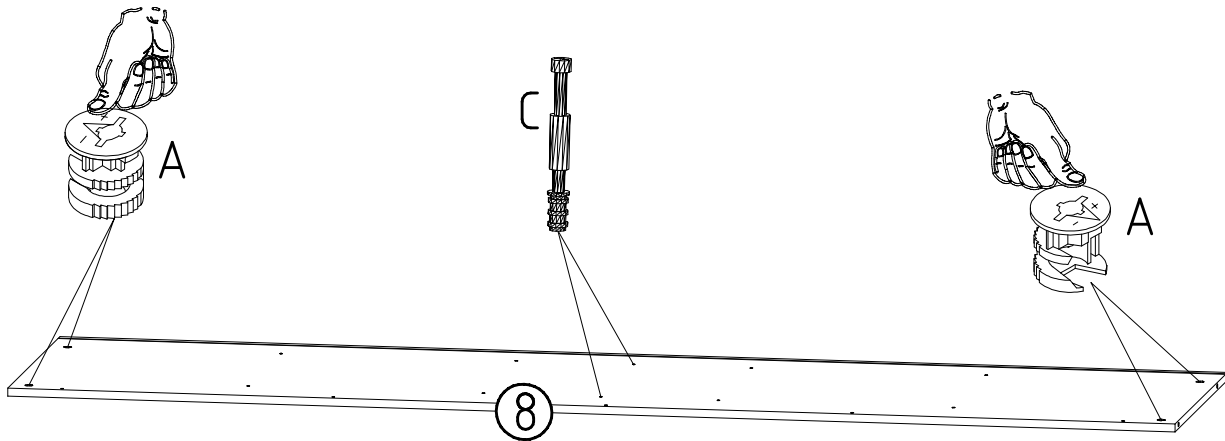
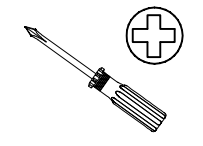
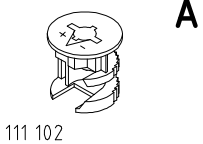
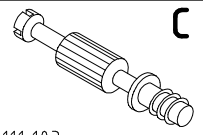
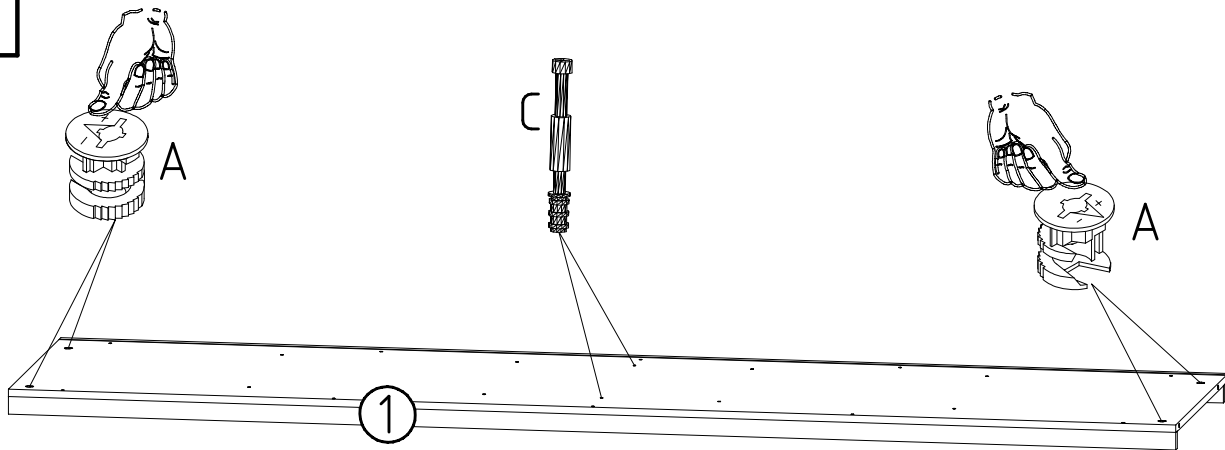
- SWH1
- SWH 6
- 6,3 x 10,5 mm T2
- 111.030
- SP13
- 4 X 13mm
- 121 122
- +



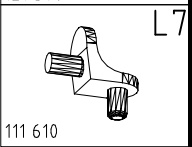
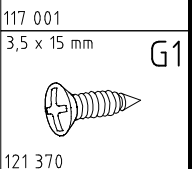
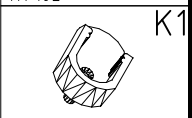
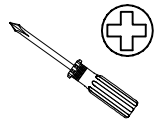
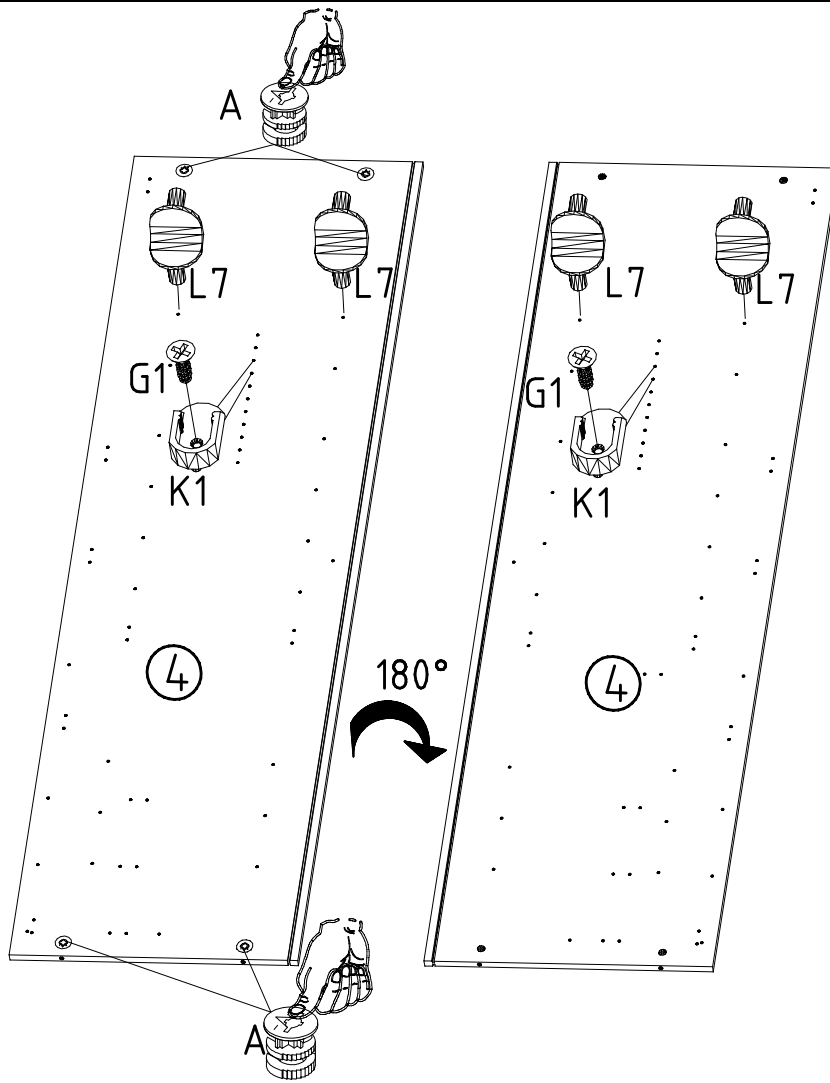
7



8



9



111 102

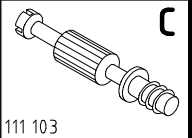
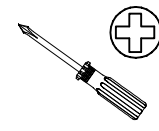
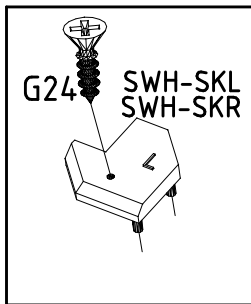
117 001

3,5 x 15 mm

121 370

111 610

10



111 103

3,5 x 15 mm

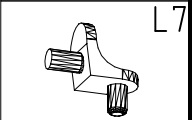
**G1**



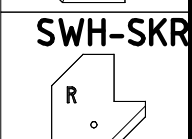
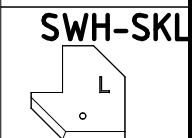
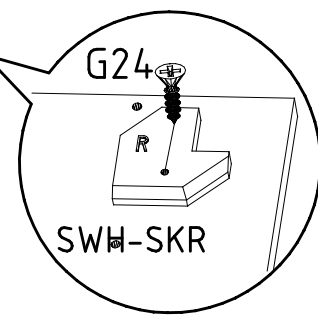
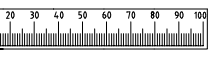
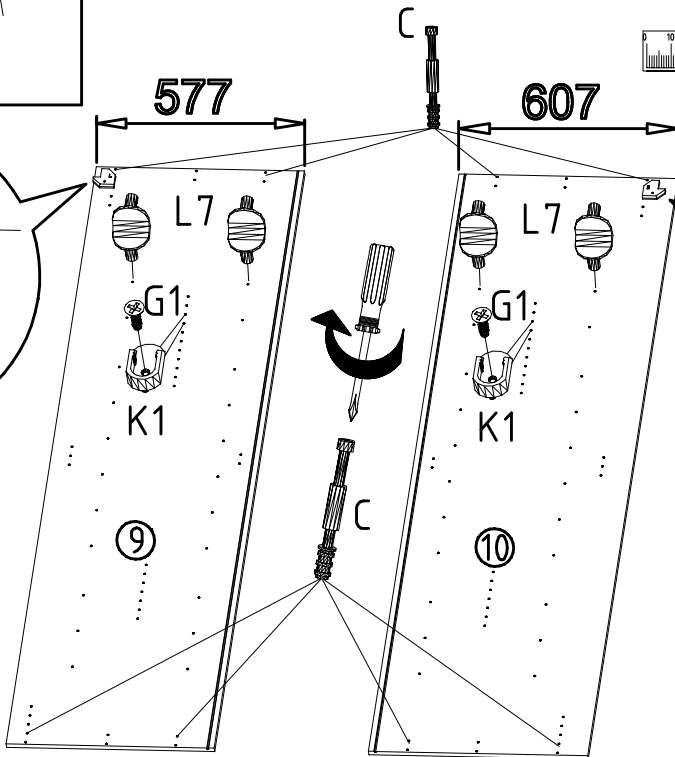
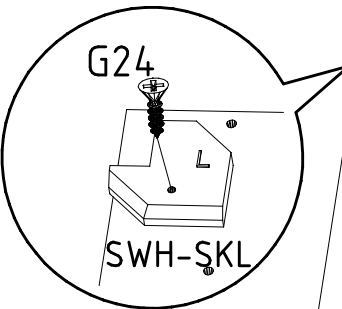
121 370



117 001

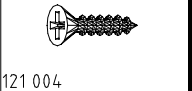


111 610



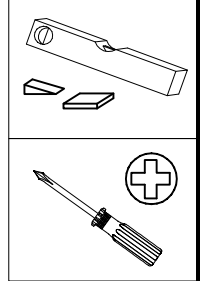
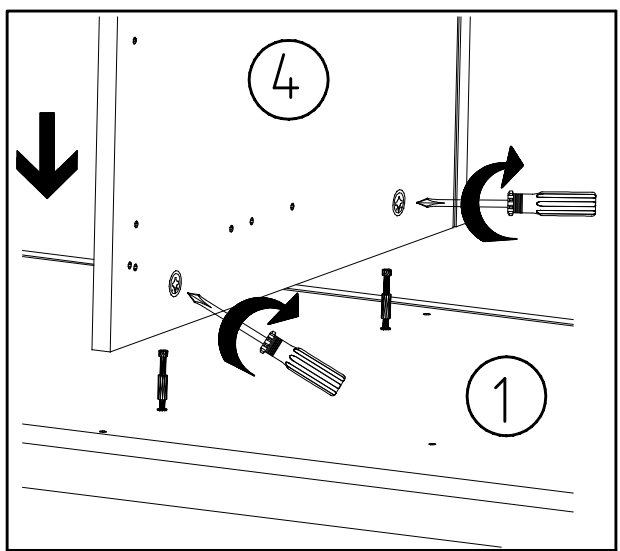
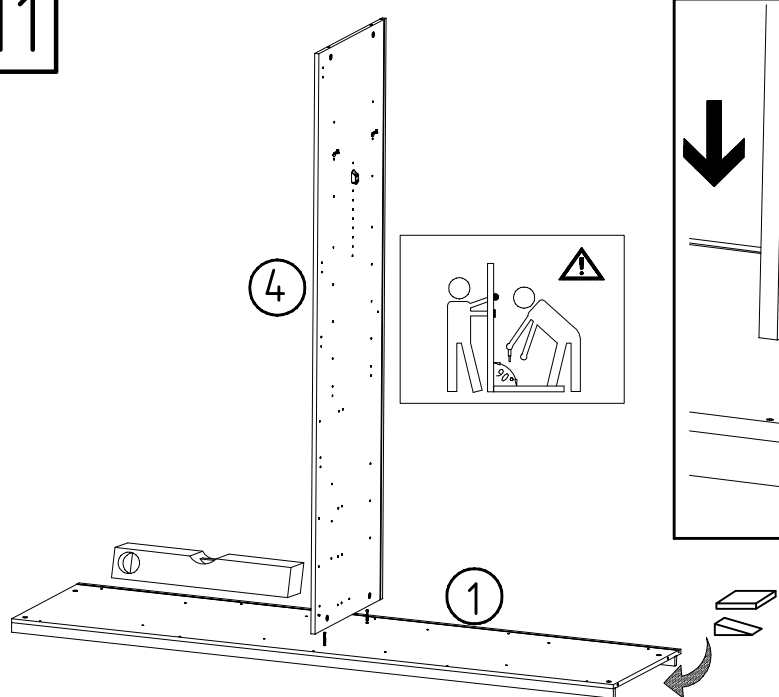
3,5 x 22 mm

**G24**

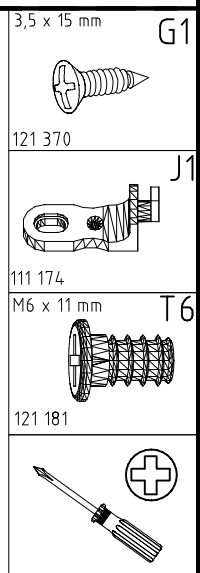
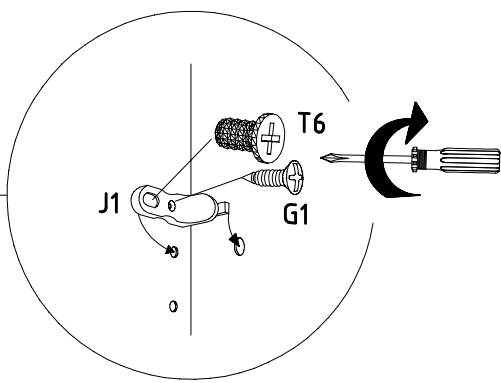
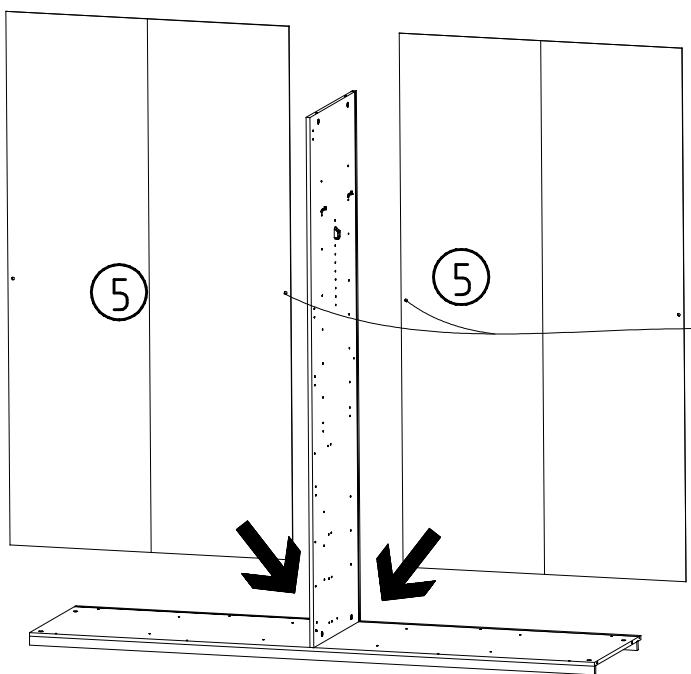


121 004

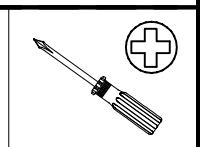
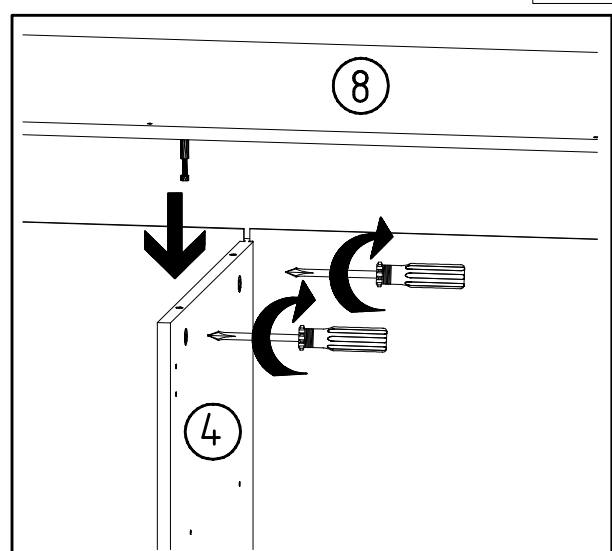
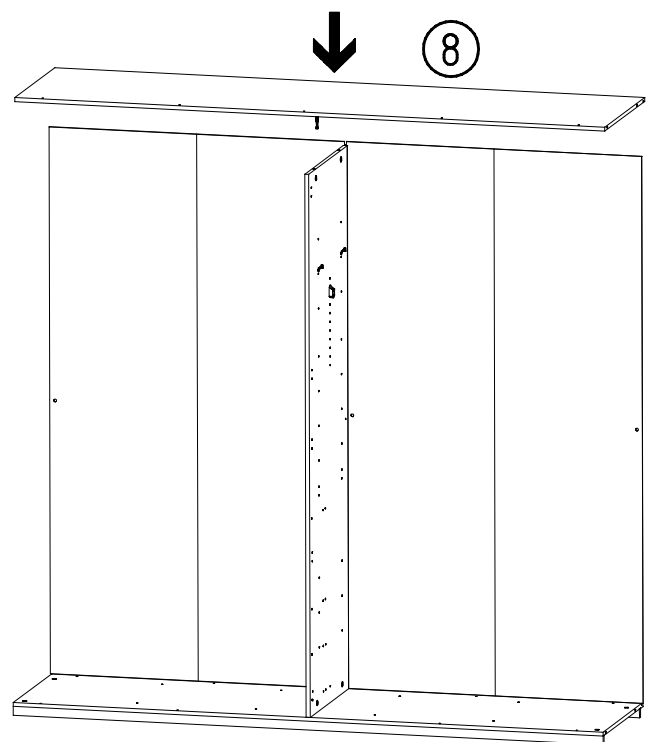
11



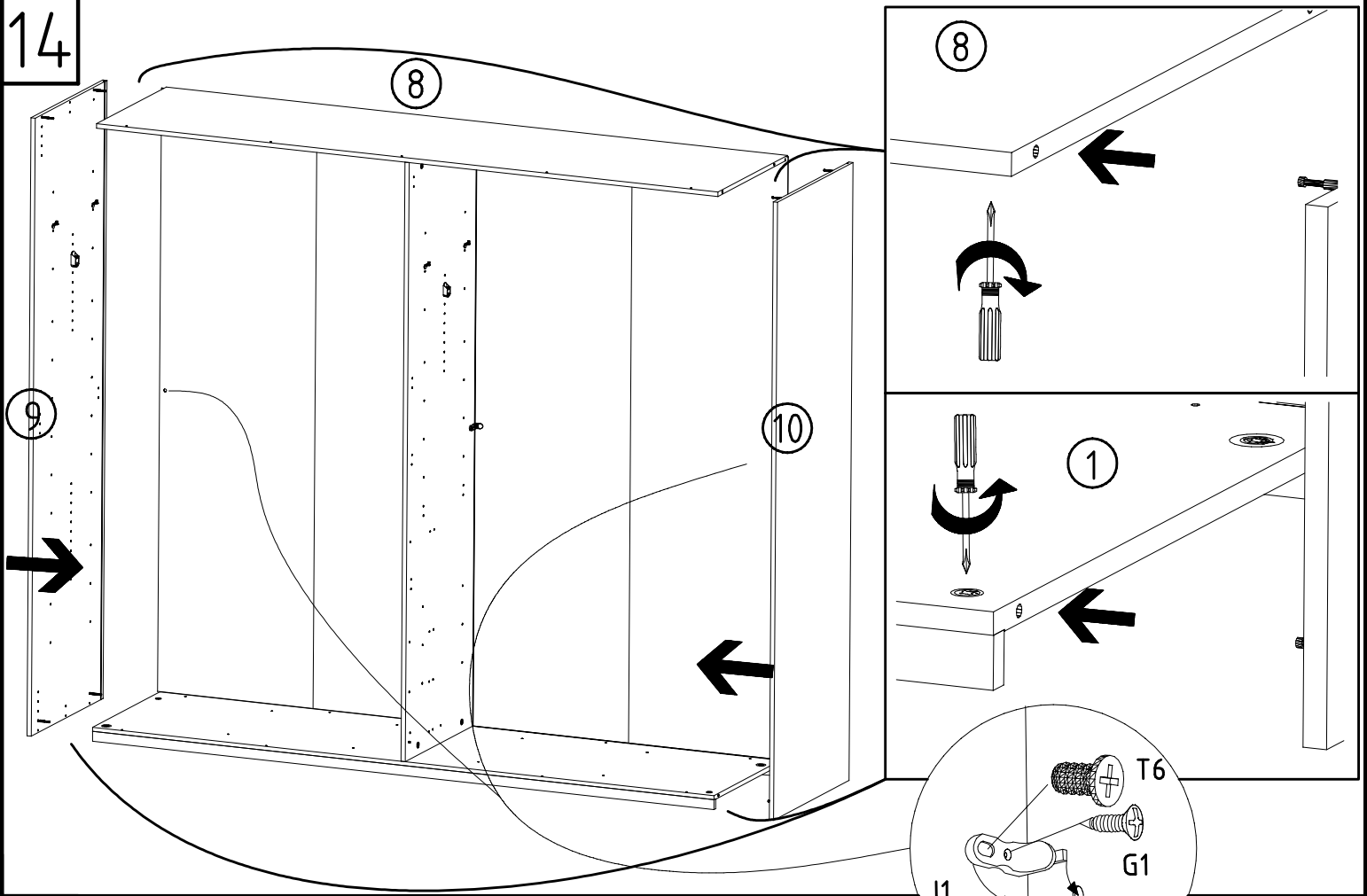
12



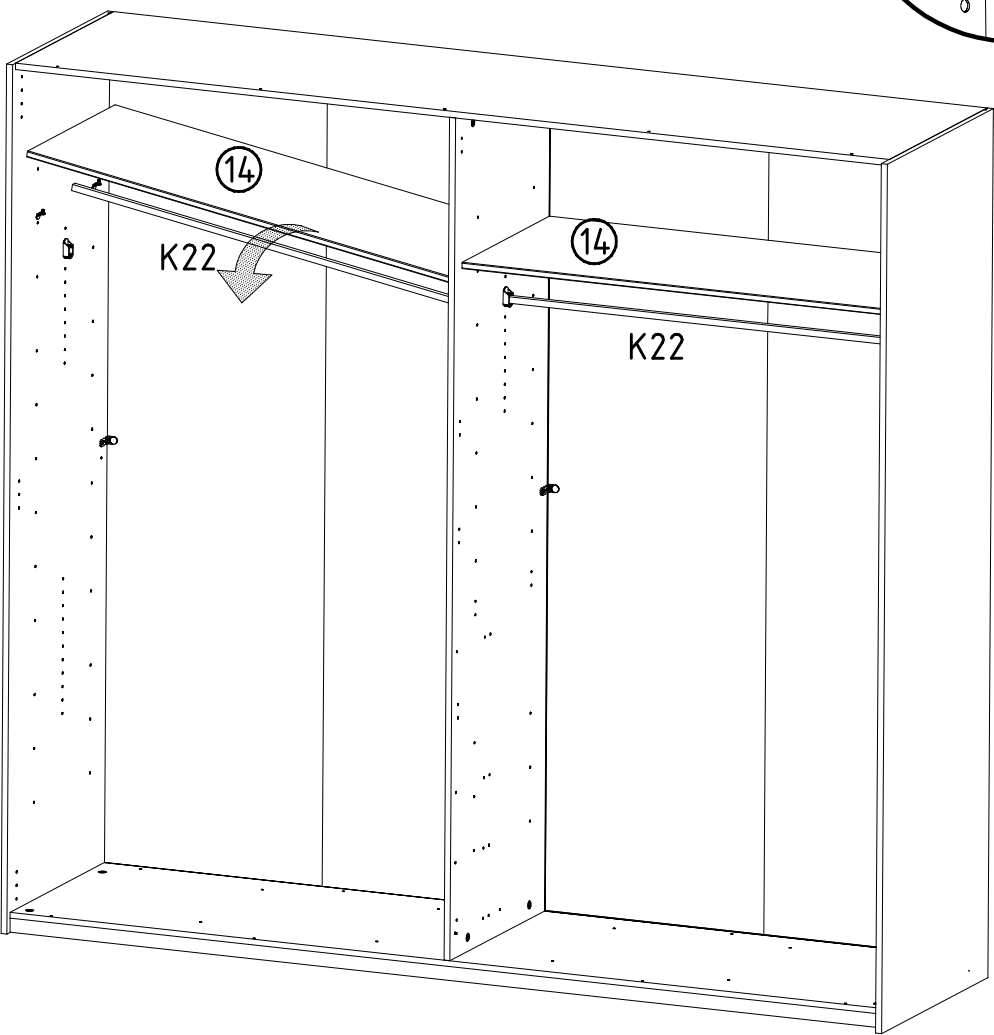
13



14

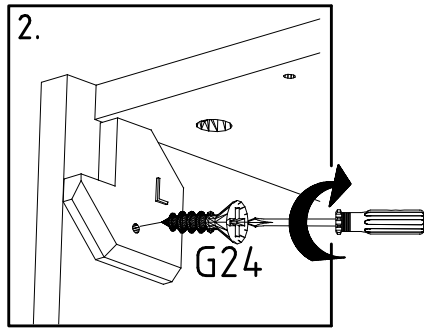
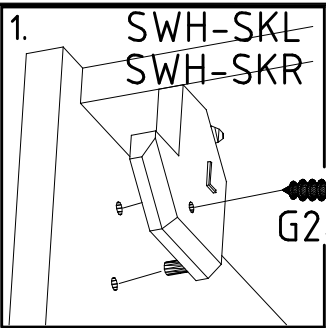


15

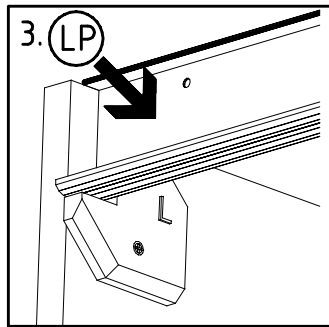


K22  
1088mm  
112 404

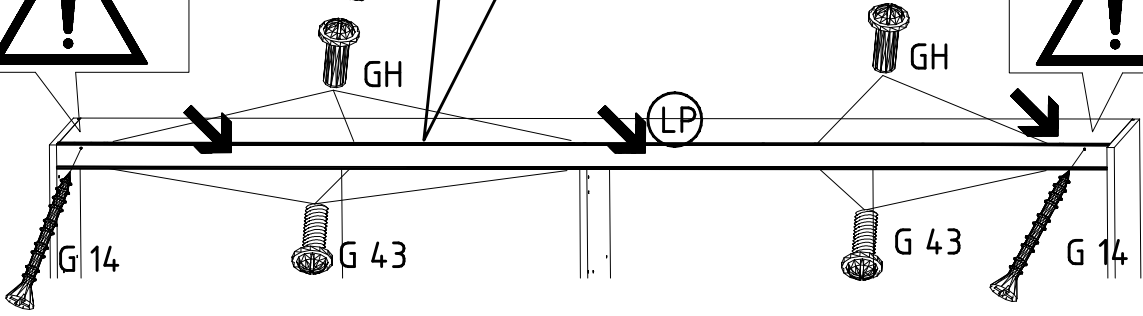
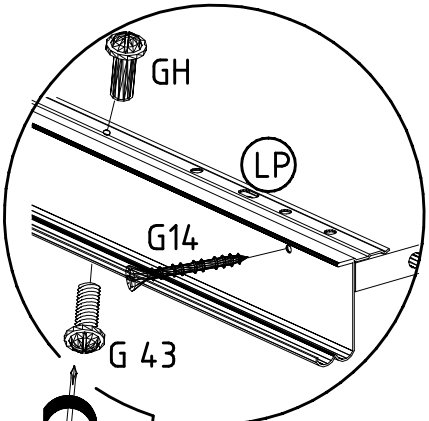
16



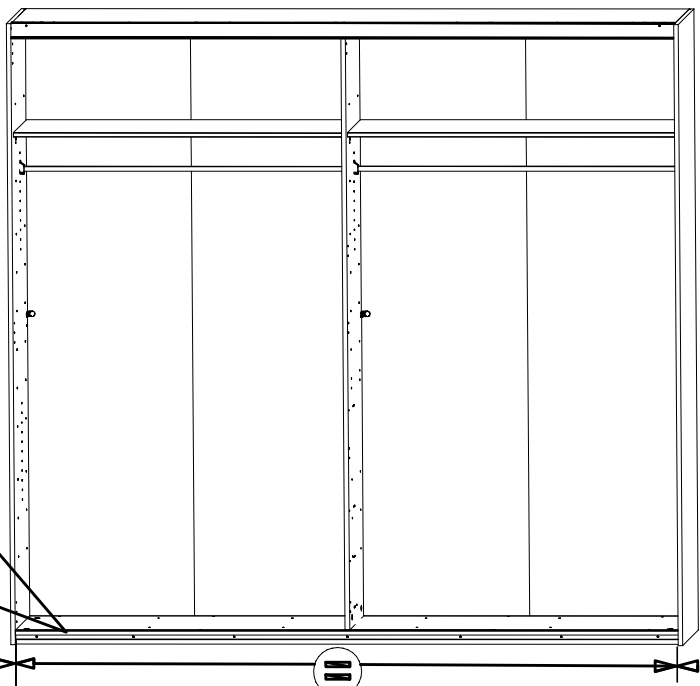
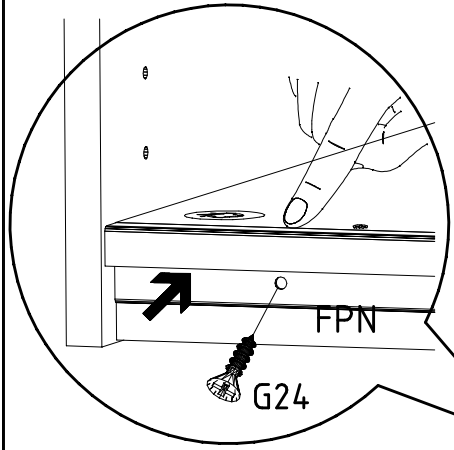
- |                        |            |                       |            |                       |             |
|------------------------|------------|-----------------------|------------|-----------------------|-------------|
| 3,5 x 35 mm<br>121 375 | <b>G14</b> | M4 x 10 mm<br>121 xxx | <b>G43</b> | M4 x 13 mm<br>121 xxx | <b>GH13</b> |
|------------------------|------------|-----------------------|------------|-----------------------|-------------|



**LP**  
1316/1760  
2204/2648/3092/3536



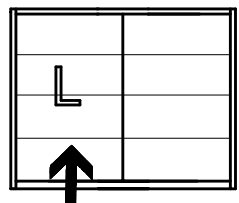
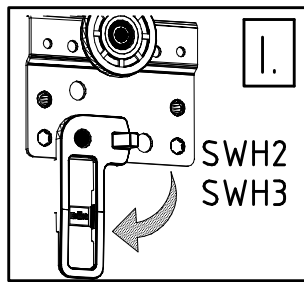
17



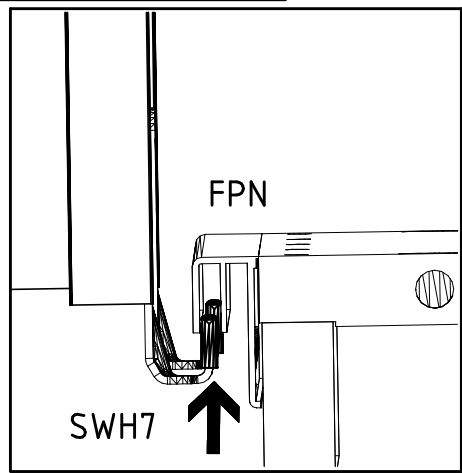
**FPN**  
1316/1760  
2204/2648/3092/3536

- |                        |            |
|------------------------|------------|
| 3,5 x 22 mm<br>121 004 | <b>G24</b> |
|------------------------|------------|

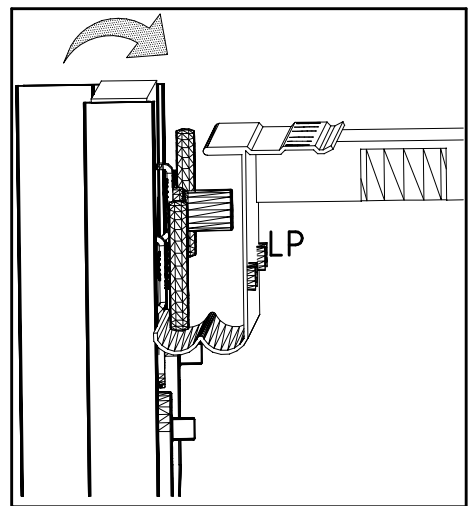
18



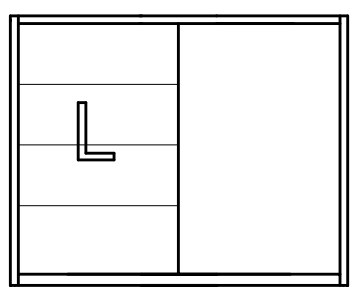
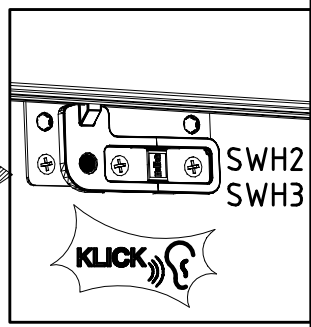
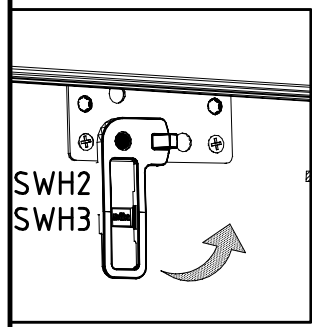
II.



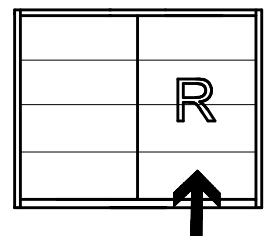
III.



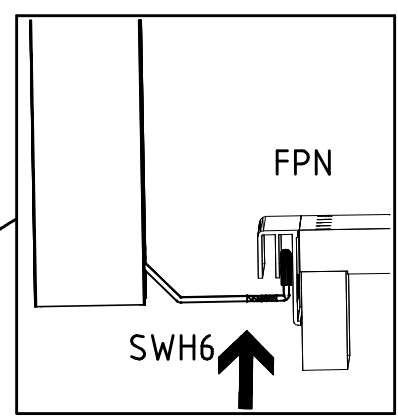
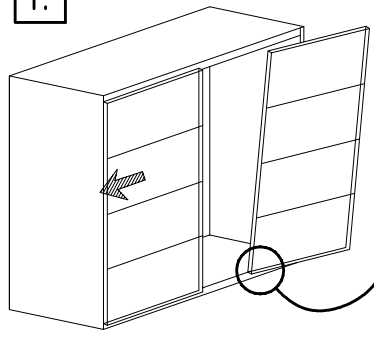
IV.



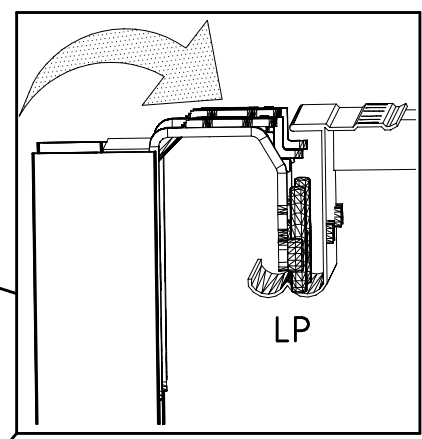
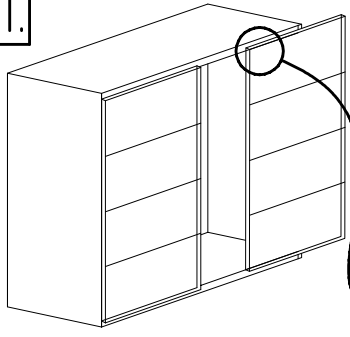
19



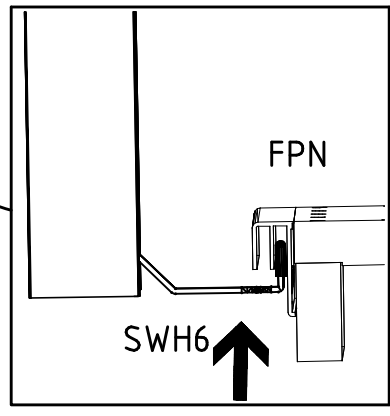
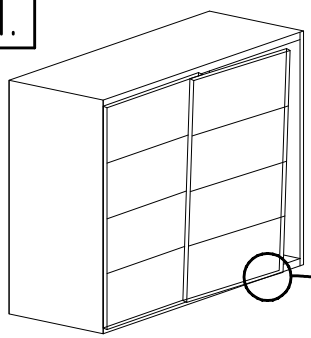
I.



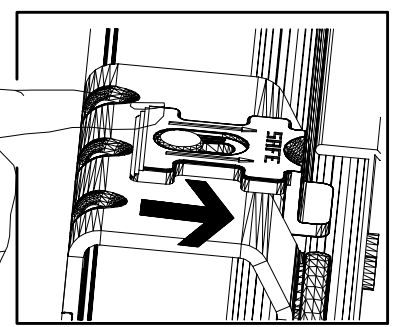
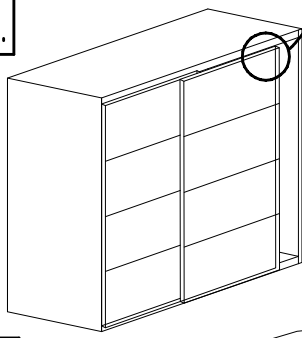
II.



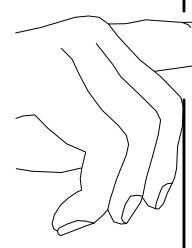
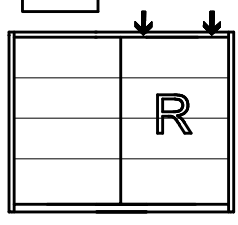
III.

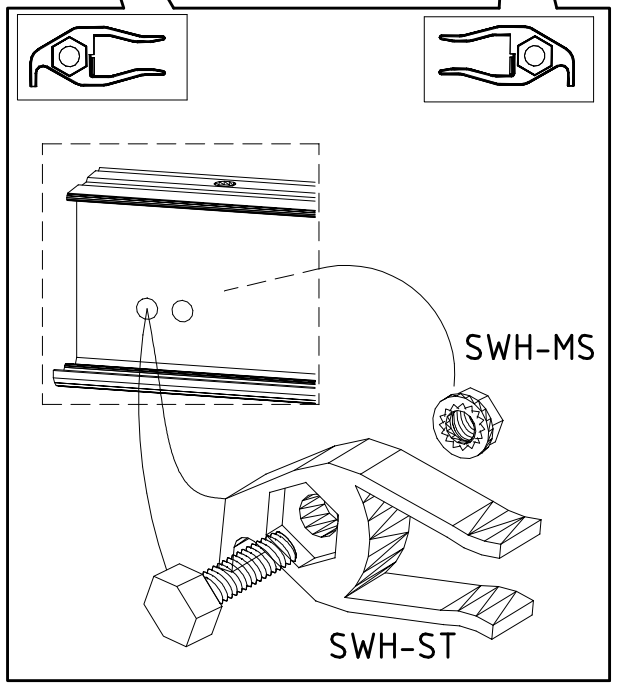
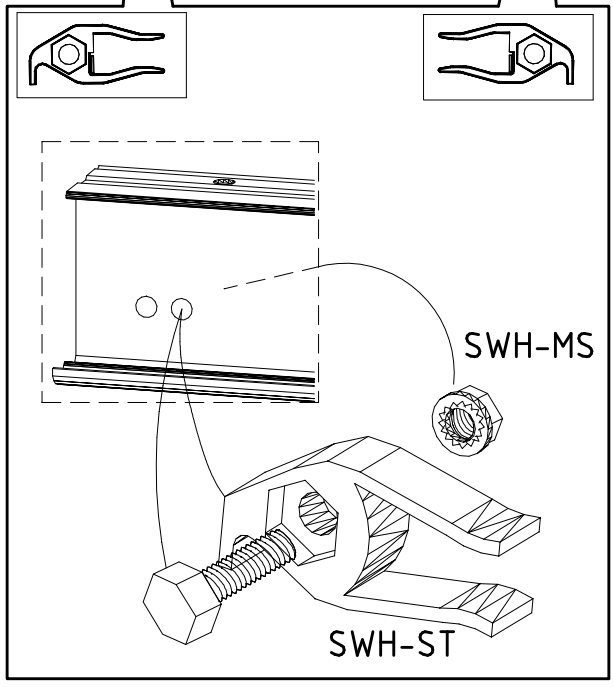
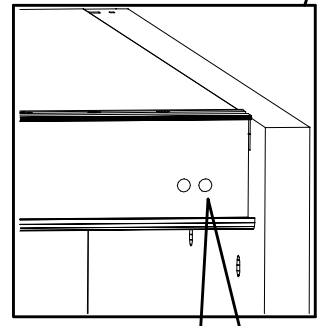
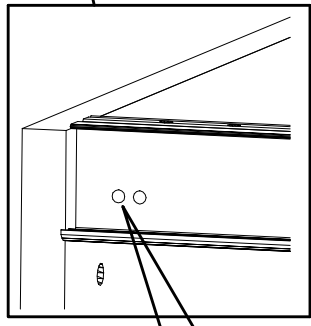
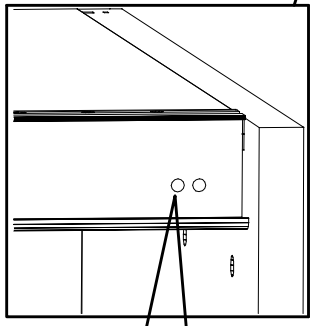
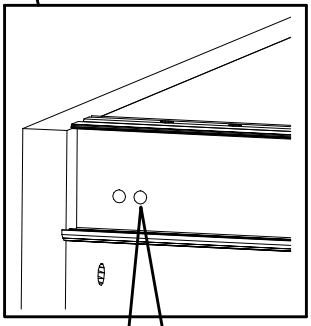
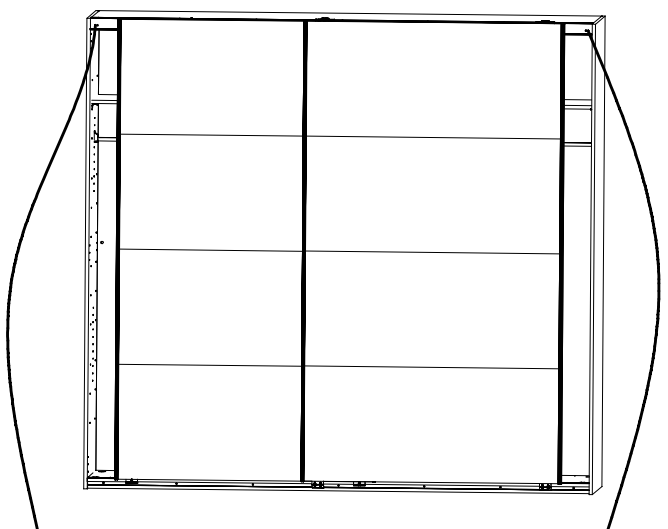
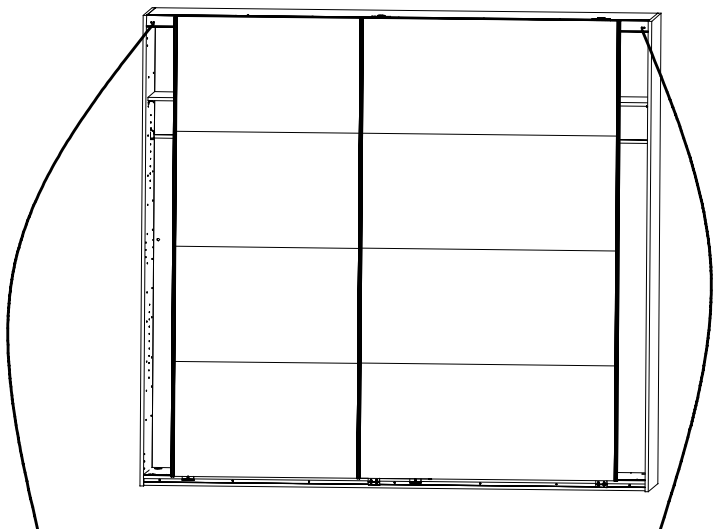
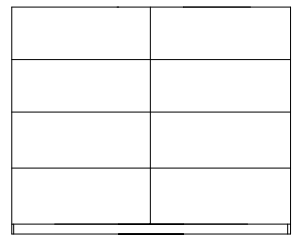
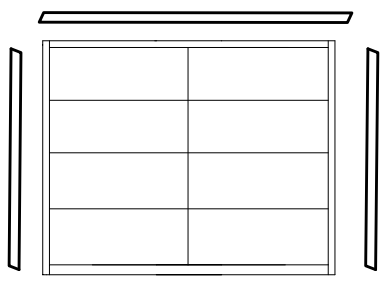
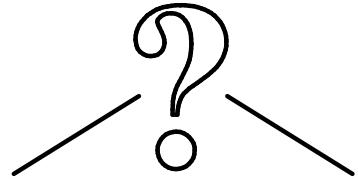
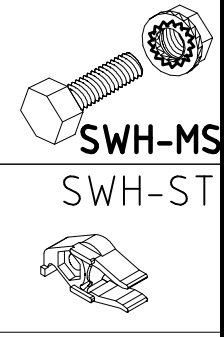


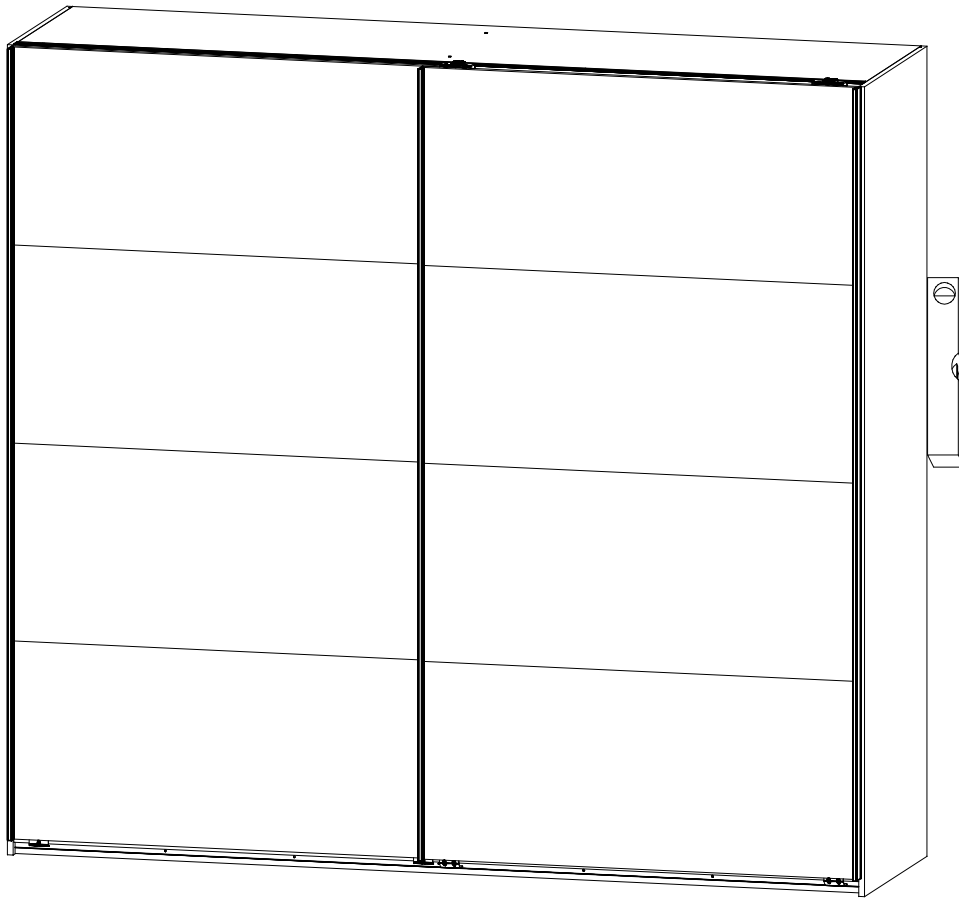
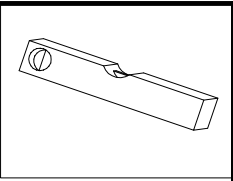
IV.

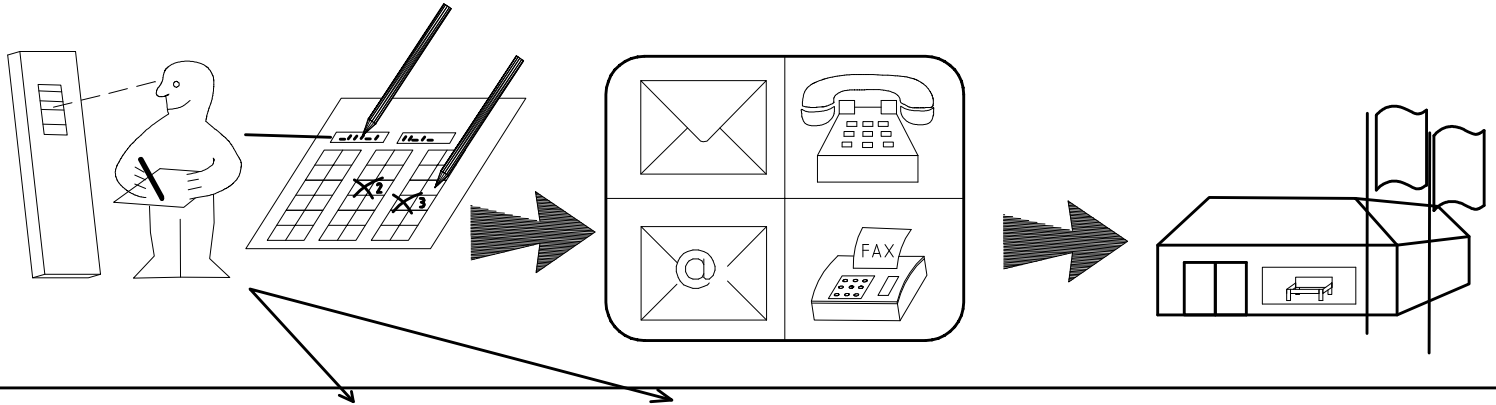
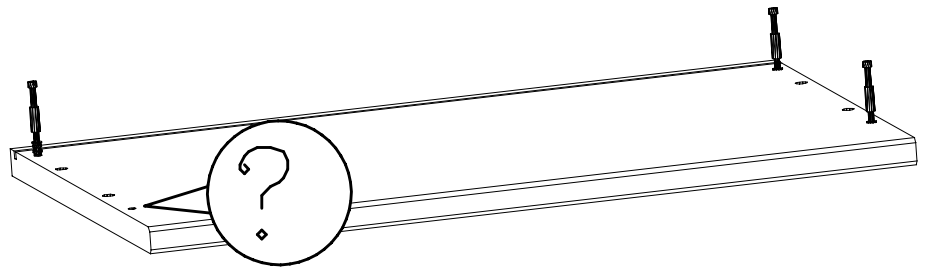
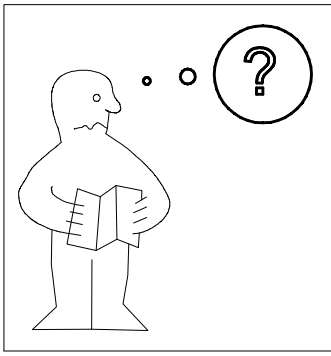


V.









Auftrag/Order-No  
No. de Commande

Kunde/Customer  
Client

	<b>SWH1</b>
	<b>SWH2</b>
	<b>SWH3</b>
	<b>SWH 6</b>
	<b>SWH 7</b>
	<b>SP13</b> 4 X 13mm
	121 122

	<b>SWH-D</b>
	<b>SWH-SKL</b>
	<b>SWH-SKR</b>
	<b>SWH-ST</b>
	<b>SWH-MS</b> 6,3 x 10,5 mm
	<b>T2</b> 111 030

	<b>G1</b> 3,5 x 15 mm
	<b>G24</b> 121 370 3,5 x 22 mm
	<b>A</b> 121 004
	<b>L7</b> 111 102
	<b>H5</b> 114 183
	<b>G14</b> 3,5 x 35 mm
	121 375

	<b>K1</b> 117 001
	<b>C</b> 111 103
	<b>J1</b> 111 174
	<b>T6</b> M6 x 11 mm
	<b>K22</b> 1088mm
	<b>G43</b> 112 404 M4 x 10 mm
	<b>GH13</b> 121 xxx M4 x 13 mm
	121 xxx

