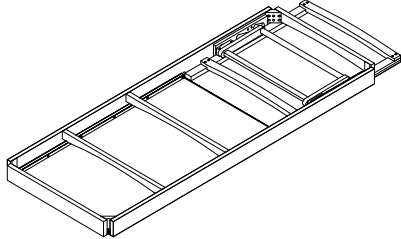
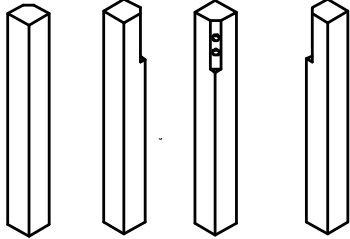


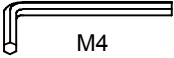


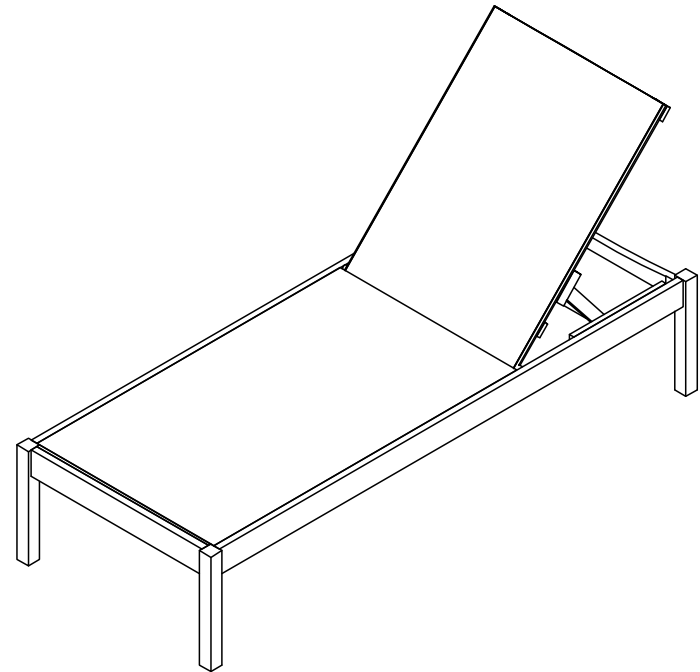
## Part List and Hardware List

| PIECE | DESCRIPTION | PICTURE   | QUANTITY |
|-------|-------------|---|----------|
| A     | Seat        |              | 1x       |
| B     | Leg         |              | 4x       |
| ①     | Bolt        |  M8x65     | 8x       |
| ②     | Washer      |  M8.5x20x2 | 8x       |
| ③     | Allen Key   |  M4        | 1x       |

**JY**  
JONATHAN Y




MODEL#LNG1001

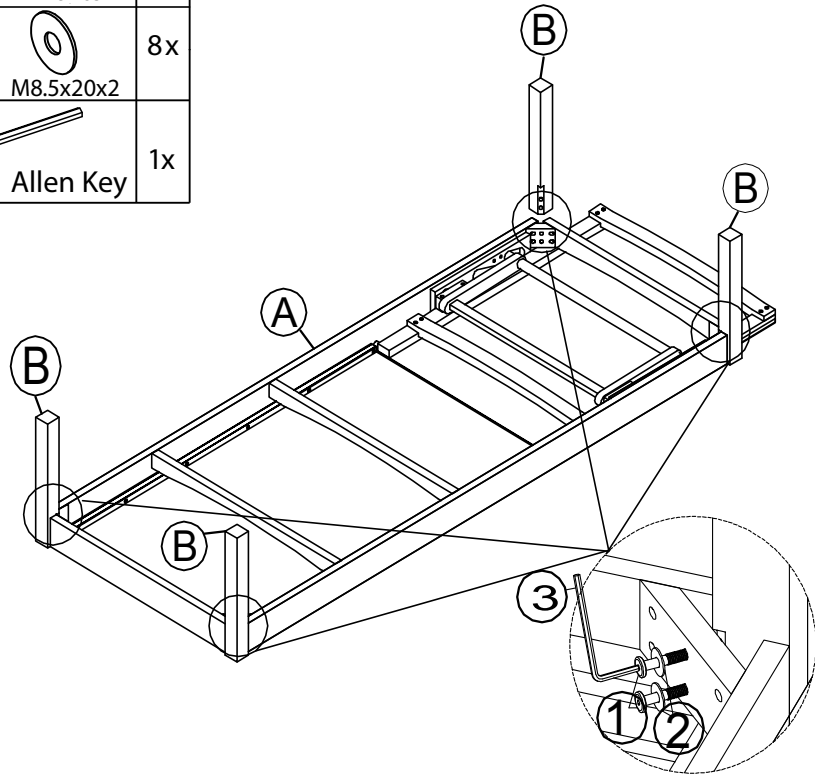
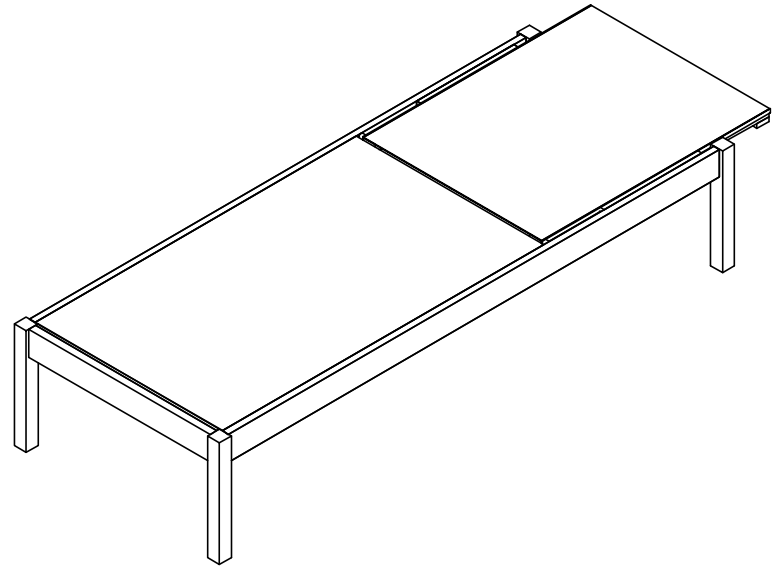
Product Dimension: 77.56"D x 26.4"W x 33.47"H



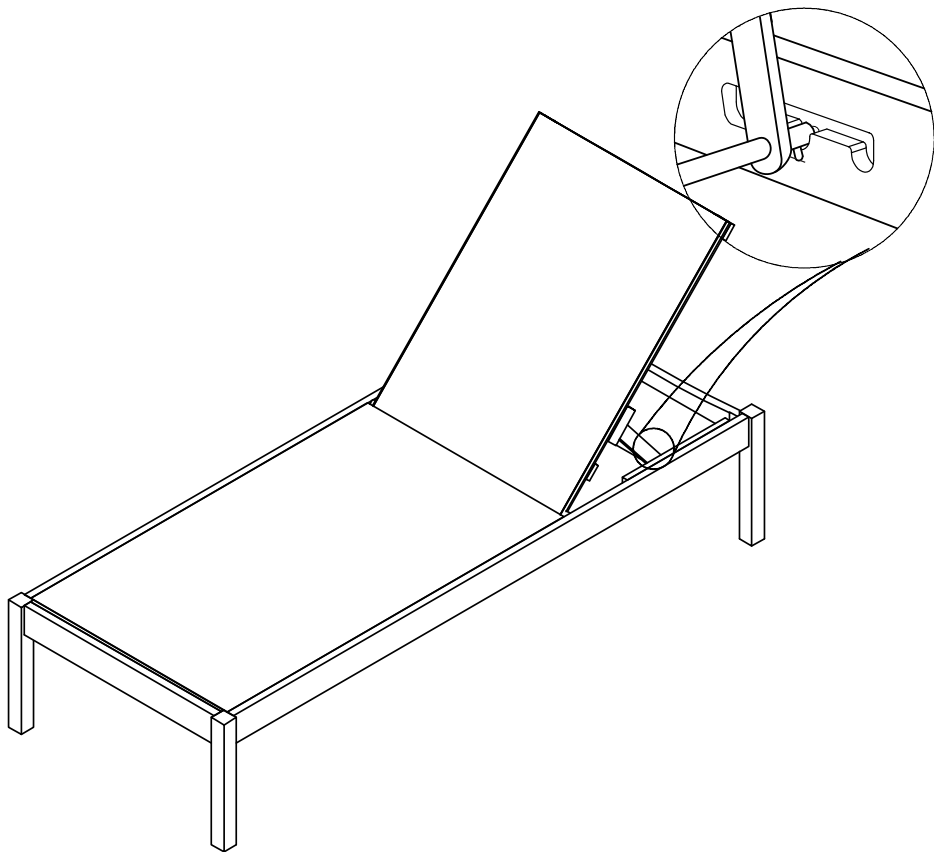
If there are any questions relating to defects, missing parts, assembly issues or replacements, please send a detailed email to [cs@jonathany.com](mailto:cs@jonathany.com).

**1**

|   |  |    |
|---|--|----|
| 1 | <br>M8x65     | 8x |
| 2 | <br>M8.5x20x2 | 8x |
| 3 | <br>Allen Key | 1x |

**2**

3



4

