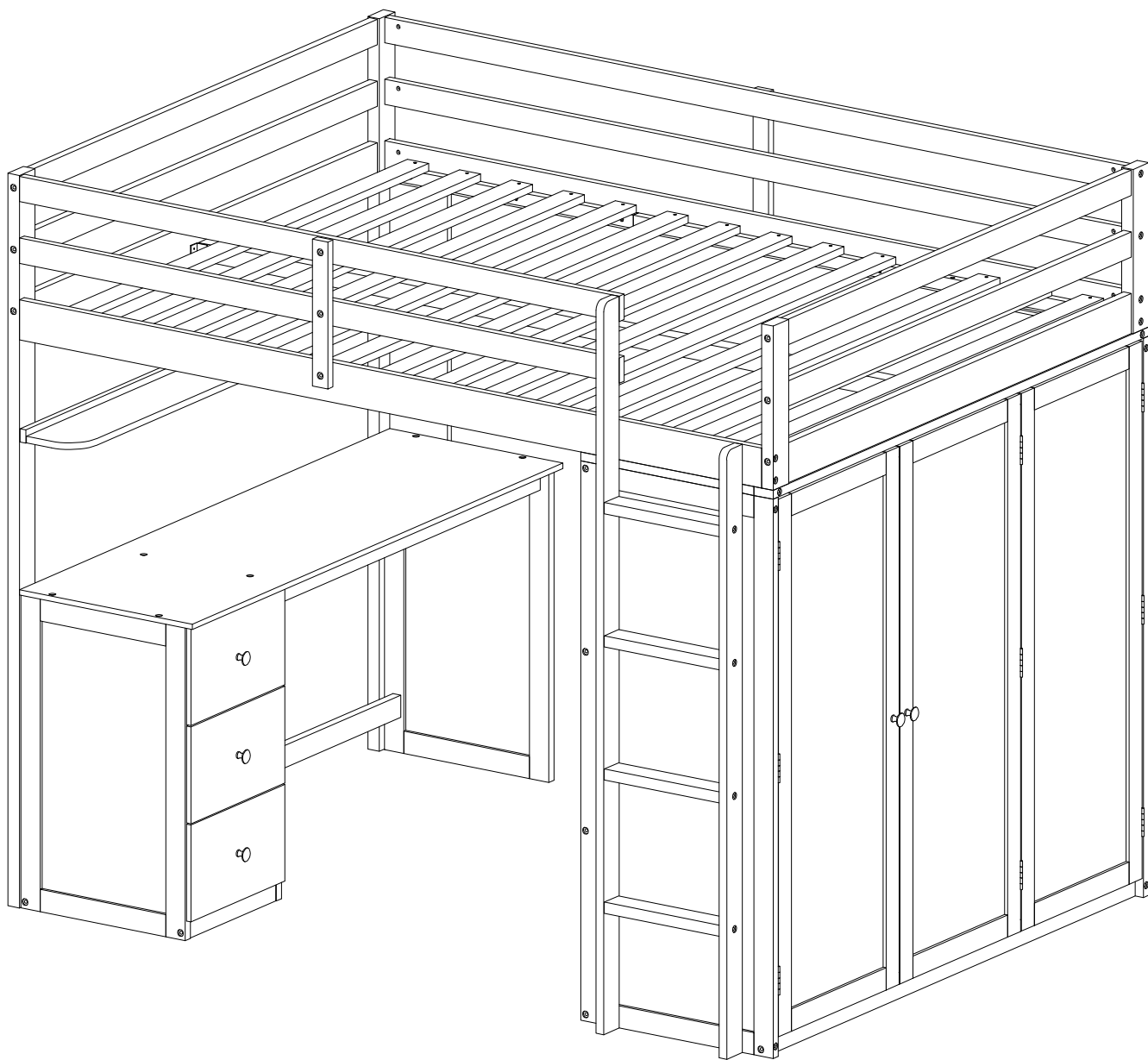


ASSEMBLY INSTRUCTION




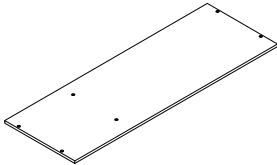
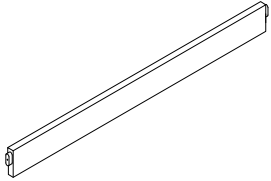
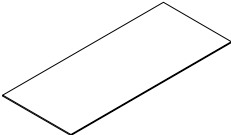


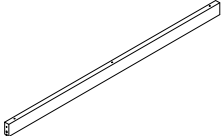
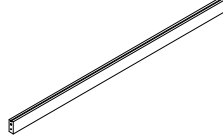
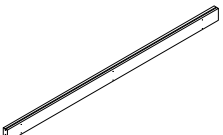
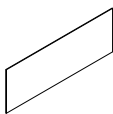
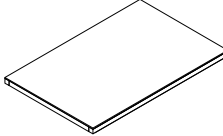


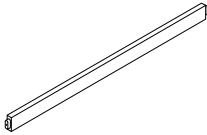
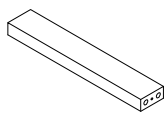

! SAFETY WARNINGS !

1. This bed is designed for use only mattress (es) meeting the following specifications on the upper bunk, and lower bunk

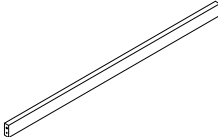
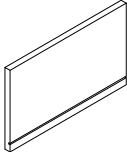

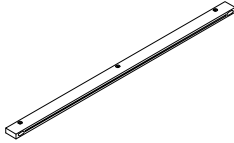
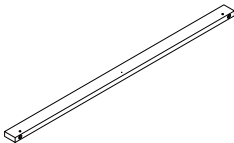
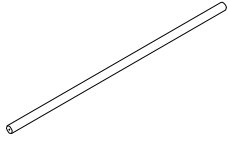
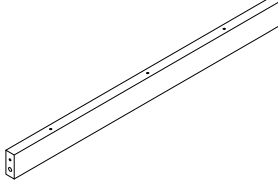


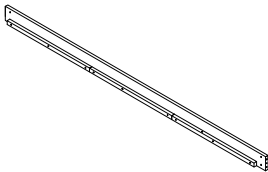
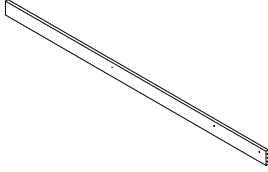
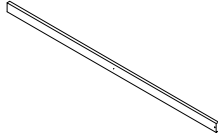

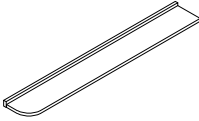
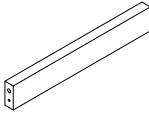
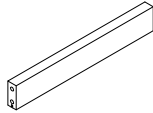

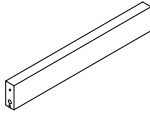
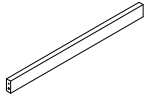
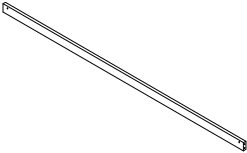

Upper bed Bed Type	Length	Width	Thickness
<i>Full Standard</i>	<i>74" - 75"</i>	<i>53 1/2"</i>	<i>6" max</i>

2. Replacement parts, including additional guardrails, maybe obtained from any of our (GIGACLOUD TECHNOLOGY (USA) INC. 18961 ARENTH AVENUE CITY OF INDUSTRY, CA, 91748) dealers
3. Follow the information on the warnings appearing on the upper bunk bed end structure and on the carton. Do not remove warning label from bed
4. Always use the recommended size mattresses or mattress supports, or both, to help prevent the likelihood of entrapment or falls.
5. Surface of mattress must be at least 5" (127mm) below the upper edge of guardrails
6. Do not allow children under 6 years of age to use the upper bunk.
7. Periodically check and ensure that the guardrail, ladder, and other components are in their proper position, free from damage, and that all connectors are tight.
8. Do not allow horseplay on or under the bed and prohibit jumping on the bed.
9. Always use the ladder for entering and leaving the upper bunkAlways use the ladder for entering and leaving the upper bunk.
10. Do not use substitute part. Contact the manufacture or dealer for replacement part
11. Use of a night light may provide added safety precaution for a child using the upper bunk..
12. Always use guardrails on both long sides of the upper bunk. If the bunk bed will be placed next to the wall, the guardrail that runs the full length of the bed should be placed against the wall to prevent entrapment between the bed and wall.
13. The use of water or sleep flotation mattresses is prohibited
14. STRANGULATION HAZARD - Never attach or hang items to any part of the bunk bed that are not designed for use with the bed; for example, but not limited to, hook, belts and jump ropes
15. Keep these instruction for future reference
16. Prohibit more than one person on upper bunk
17. We recommend assembling your bunk bed on the shipping carton to protect your floor or carpet
18. Be certain all staples are out of the box before beginning assembly on the shipping carton.



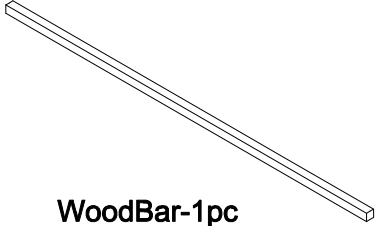

Part List

<p>F6</p>  <p>Panel-3pcs</p>	<p>C1</p>  <p>Panel-1pc</p>	<p>B7</p>  <p>WoodBar-2pcs</p>
<p>D6</p>  <p>Panel-1pc</p>	<p>F8</p>  <p>WoodBar-3pcs</p>	<p>E1</p>  <p>Panel-2pcs</p>
<p>E7</p>  <p>WoodBar-1pc</p>	<p>E8</p>  <p>WoodBar-1pc</p>	<p>E9</p>  <p>WoodBar-2pcs</p>
<p>F1</p>  <p>Panel-3pcs</p>	<p>F2</p>  <p>Panel-2pcs</p>	<p>A3</p>  <p>Leg-1pc</p>
<p>A4</p>  <p>Leg-1pc</p>	<p>A5</p>  <p>WoodBar-4pcs</p>	<p>A6</p>  <p>WoodBar-4pcs</p>
<p>F9</p>  <p>WoodBar-2pcs</p>		


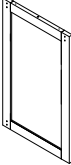
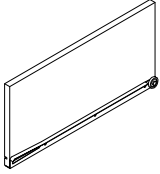
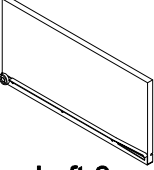
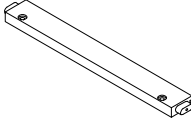
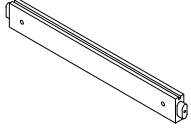
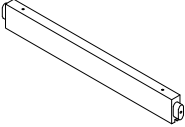
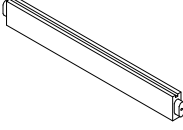
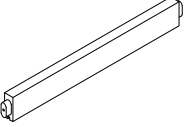
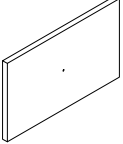
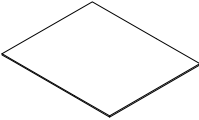
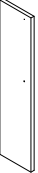
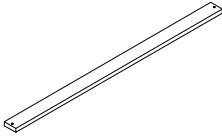

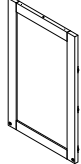
Part List & Hardware List

<p>G1</p>  <p>WoodBar-1pc</p>	<p>C8</p>  <p>Drawer Rear-3pcs</p>	<p>D4</p>  <p>WoodBar-2pcs</p>
<p>D8</p>  <p>WoodBar-1pc</p>	<p>D9</p>  <p>WoodBar-1pc</p>	<p>E6</p>  <p>WoodBar-1pc</p>
<p>B5</p>  <p>WoodBar-2pcs</p>	<p>A1</p>  <p>Leg-1pc</p>	<p>A2</p>  <p>Leg-1pc</p>
<p>A7</p>  <p>Side Rail-1pc</p>	<p>A8</p>  <p>Side Rail-1pc</p>	<p>A9</p>  <p>WoodBar-2pcs</p>
<p>B1</p>  <p>WoodBar-1pc</p>	<p>B2</p>  <p>Panel-1pc</p>	<p>D2</p>  <p>WoodBar-1pc</p>
<p>C5</p>  <p>WoodBar-1pc</p>	<p>F3</p>  <p>WoodBar-1pc</p>	<p>G3</p>  <p>WoodBar-1pc</p>
<p>B9</p>  <p>WoodBar-1pc</p>	<p>D3</p>  <p>WoodBar-2pcs</p>	<p>E4</p>  <p>WoodBar-2pcs</p>

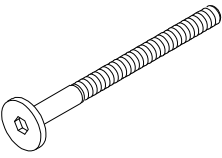
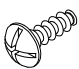
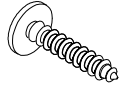

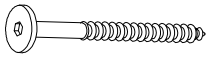
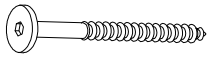


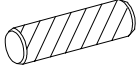
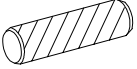

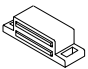
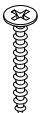

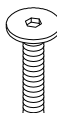
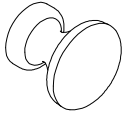
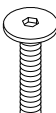
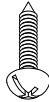

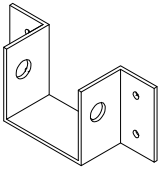

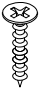
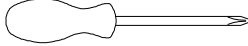
Part List & Hardware List

E5  WoodBar-1pc	G2  WoodBar-1pc	B6  WoodBar-1pc
B8  WoodBar-1pc		

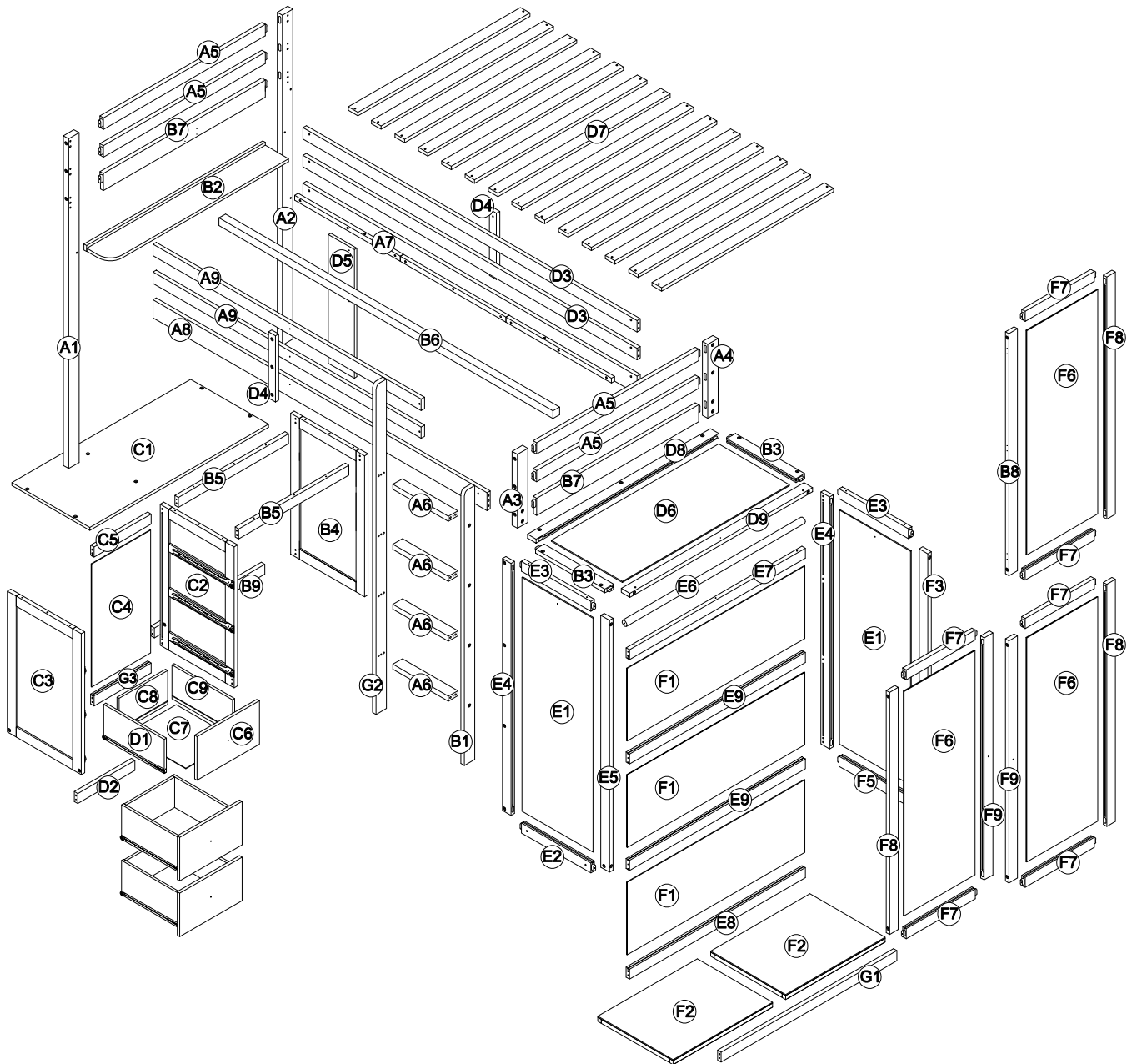
Part List

C4  Panel-1pc	B4  Panel-1pc	C9  Drawer Right-3pcs
D1  Drawer Left-3pcs	B3  WoodBar-2pcs	E2  WoodBar-1pc
E3  WoodBar-2pcs	F5  WoodBar-1pc	F7  WoodBar-6pcs
C6  Drawer front panels-3pcs	C7  Panel-3pcs	D5  Panel-1pc
D7  Slats-14pcs	C2  Panel-1pc	C3  Panel-1pc

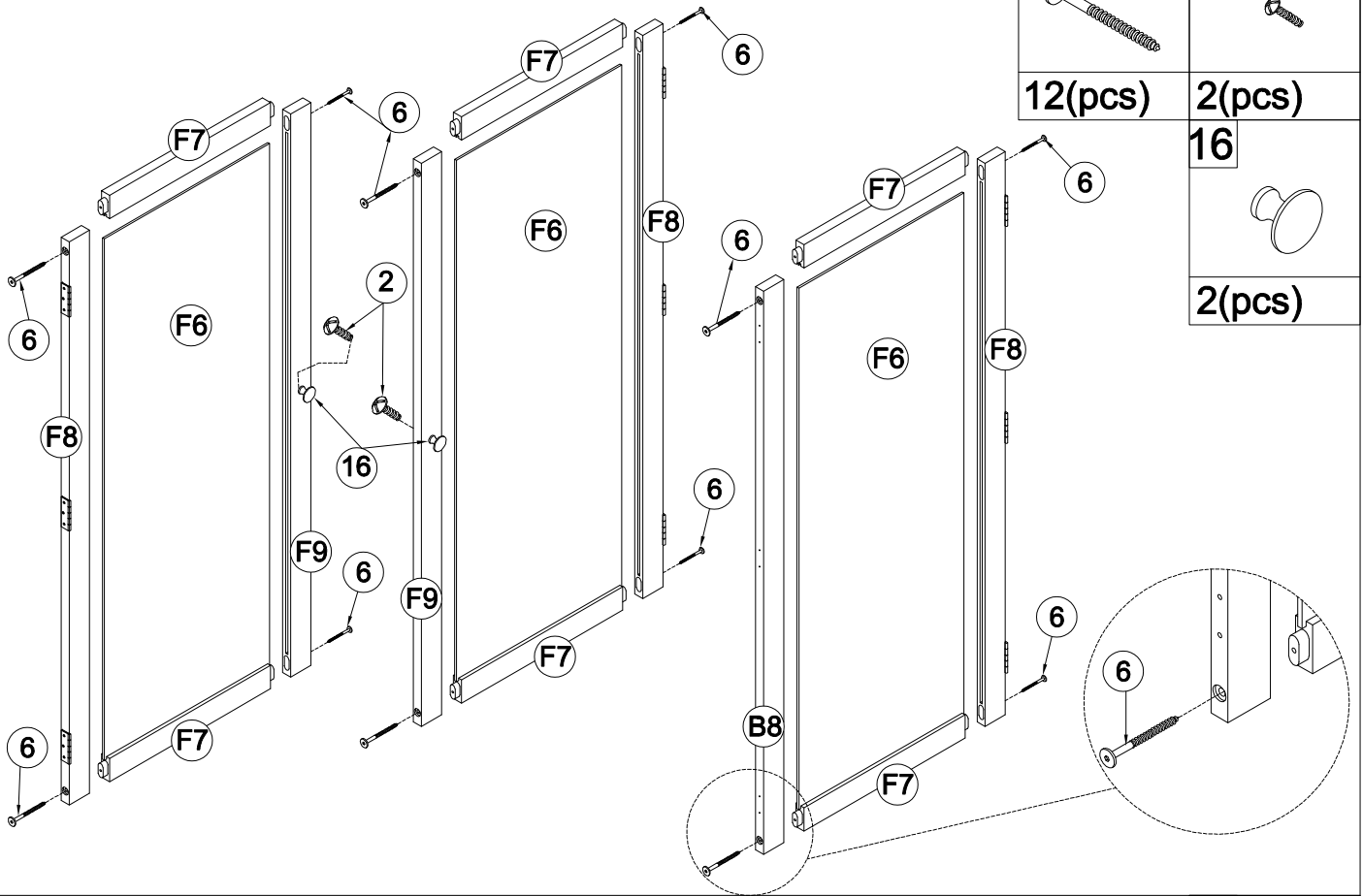
Hardware List

<p>1</p>  <p>Ø1/4" x 70 mm Hex-Head bolts 14pcs</p>	<p>2</p>  <p>M4 x 25 mm Wood Screws 5pcs</p>	<p>3</p>  <p>Screws 1/4" x30 12pcs</p>
<p>4</p>  <p>Screws 1/4" x40 13pcs</p>	<p>5</p>  <p>Screws 1/4" x50 30pcs</p>	<p>6</p>  <p>Screws 1/4" x70 24pcs</p>
<p>7</p>  <p>Screws 1/4" x80 12pcs</p>	<p>8</p>  <p>Ø1/4" x 13 mm Horizontal-Hole bolts 14pcs</p>	<p>9</p>  <p>Ø10 x 40 mm Wood dowel 26pcs</p>
<p>10</p>  <p>Ø8 x 30 mm Wood dowel 25pcs</p>	<p>11</p>  <p>Allen Key 1pc</p>	<p>12</p>  <p>Door Catches 45x17x13 6pcs</p>
<p>13</p>  <p>M4 x 30 mm Wood Screws 62pcs</p>	<p>14</p>  <p>M3 x 15 mm Wood Screws 27pcs</p>	<p>15</p>  <p>Ø1/4" x 40 mm Hex-Head bolts 4pcs</p>
<p>16</p>  <p>Handle Wood 5pcs</p>	<p>17</p>  <p>Ø1/4" x 30 mm Hex-Head bolts 1pc</p>	<p>18</p>  <p>M4 x 15 mm Wood Screws 12pcs</p>
<p>19</p>  <p>M4 x 15 mm Wood Screws 16pcs</p>	<p>20</p>  <p>Steel Bracket 2pcs</p>	<p>21</p>  <p>M4 x 40 mm Wood Screws 2pcs</p>
<p>22</p>  <p>M4 x 20 mm Wood Screws 8pcs</p>	<p></p> <p>Assembly Tools Required (Not Included)</p>	

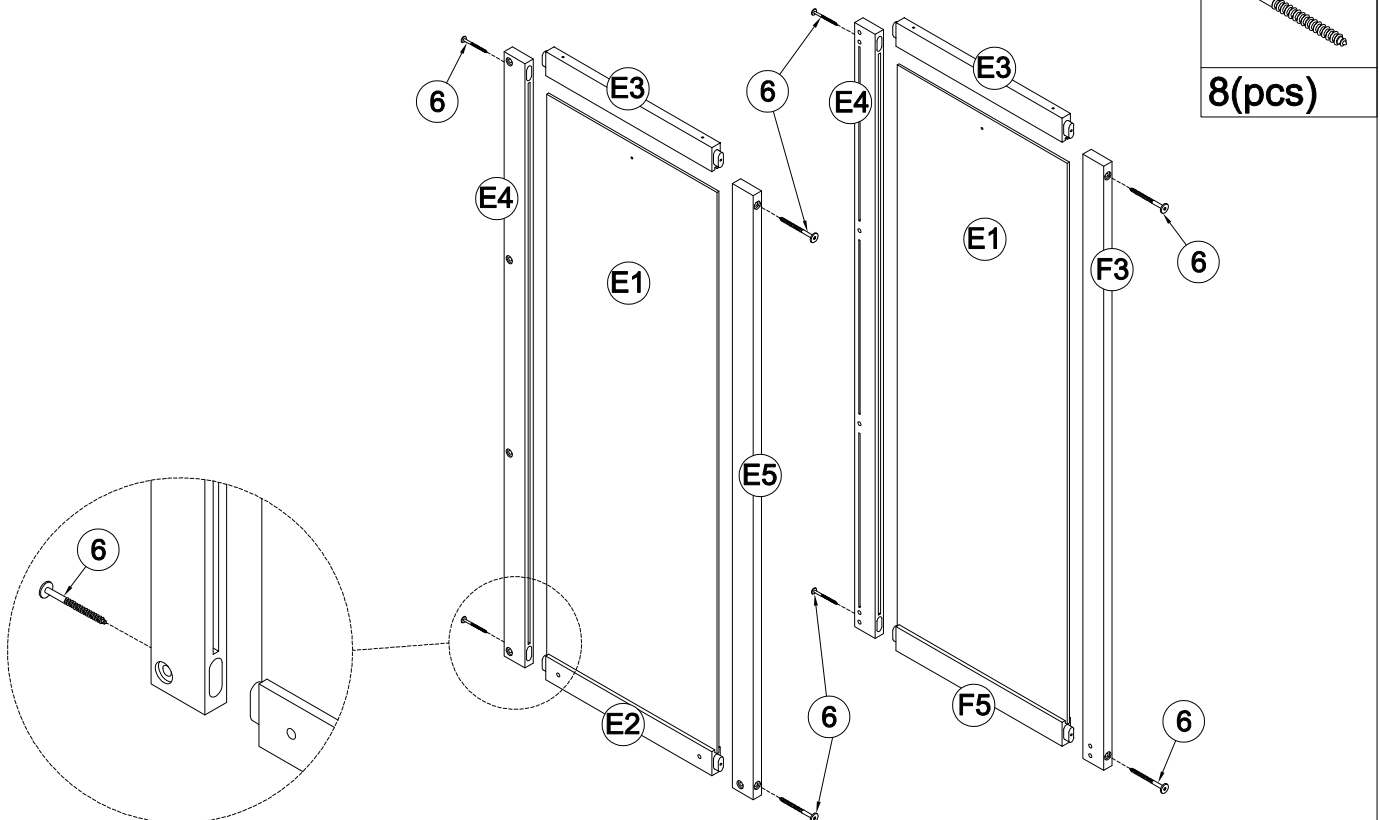
ASSEMBLY INSTRUCTION



STEP1: Following below illustration.

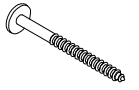


STEP2: Following below illustration.

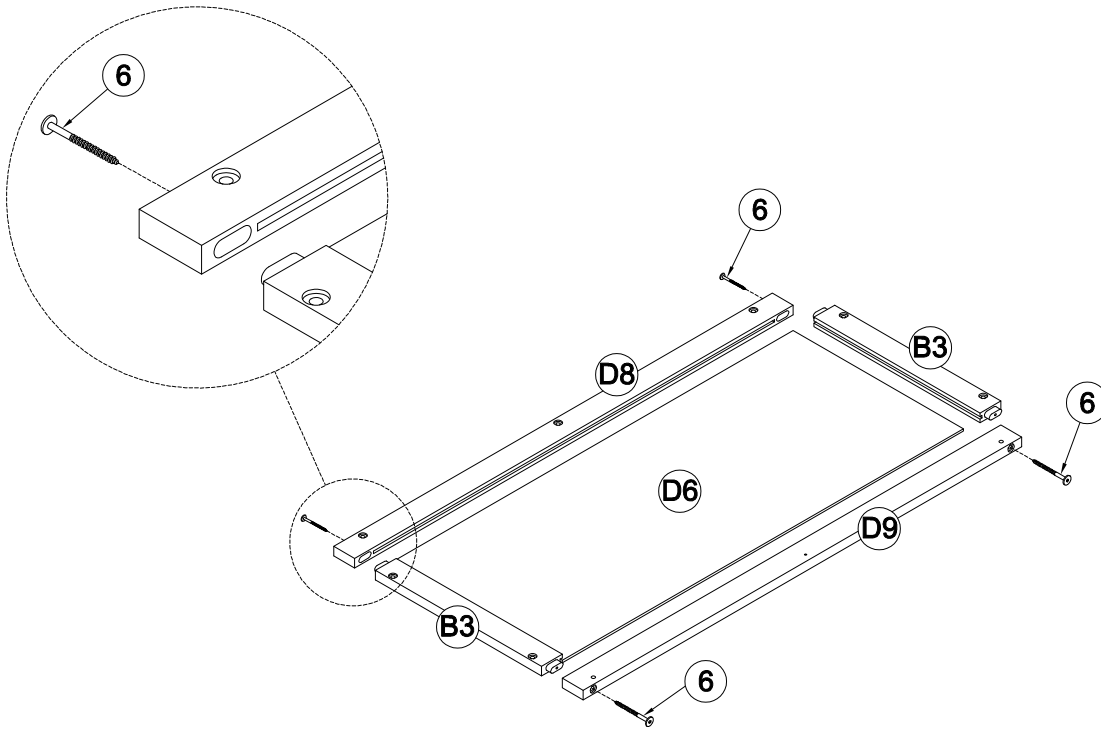


STEP3: Following below illustration.

6



4(pcs)



STEP4: Following below illustration.

9

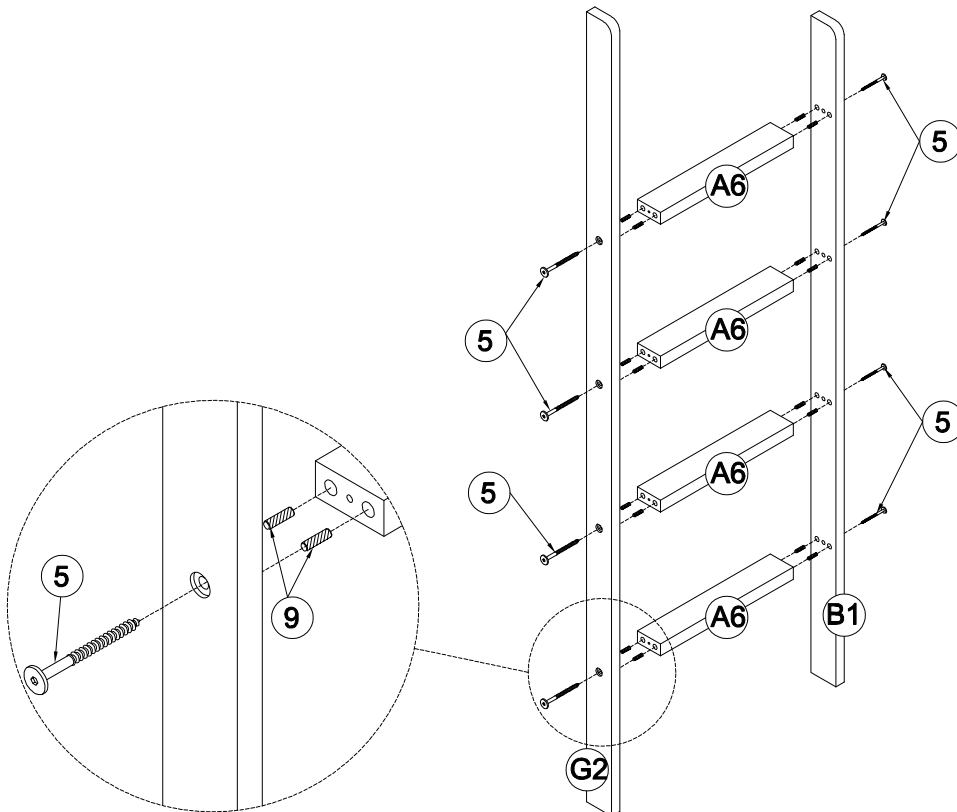


16(pcs)



5

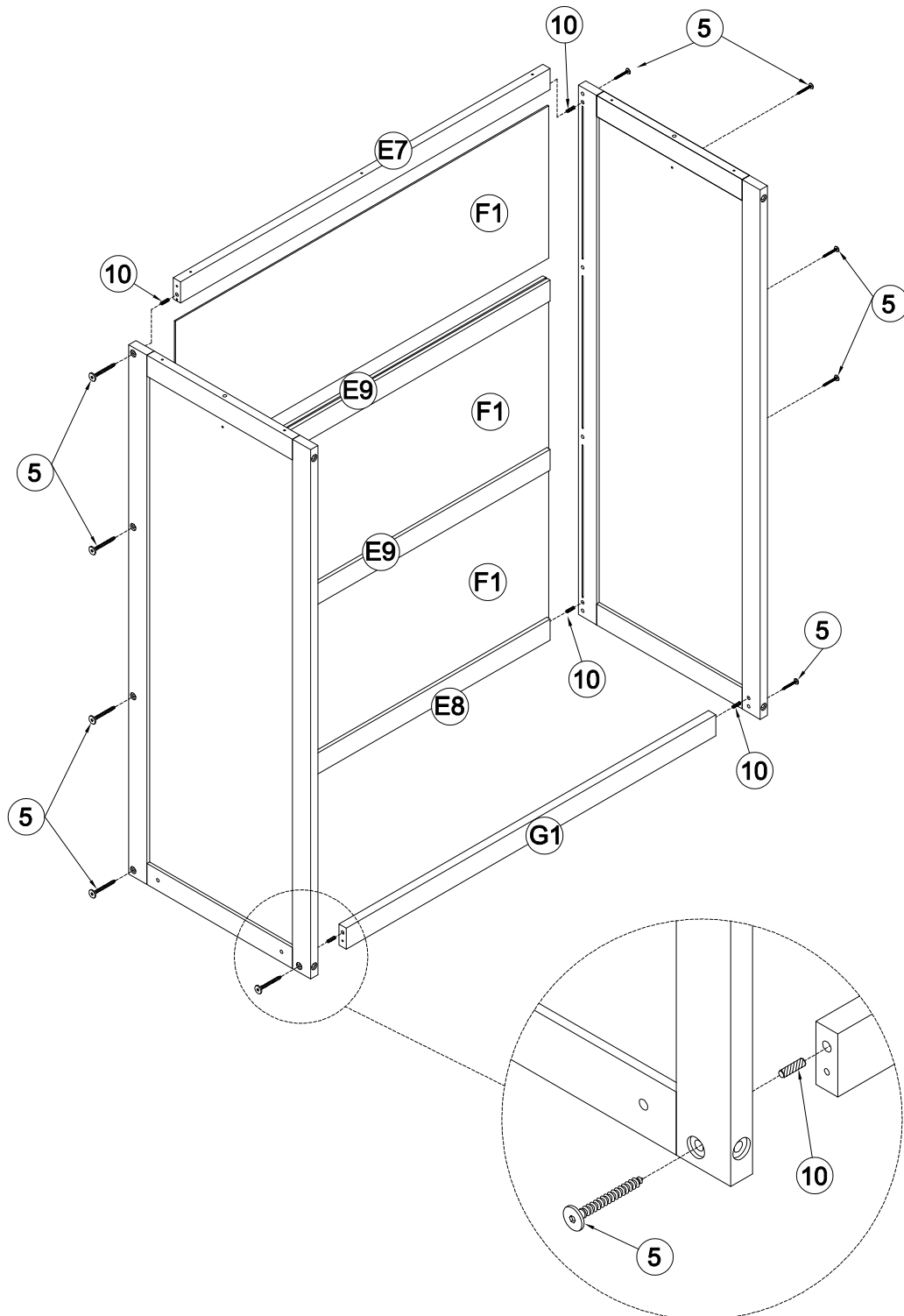


8(pcs)







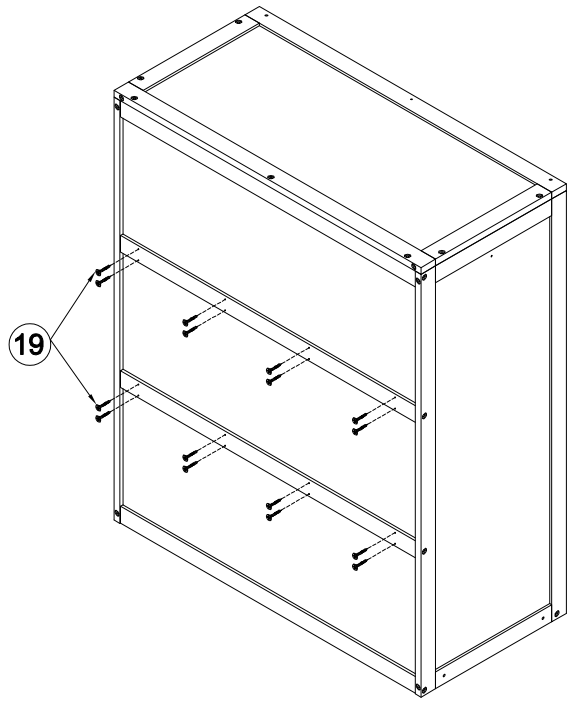
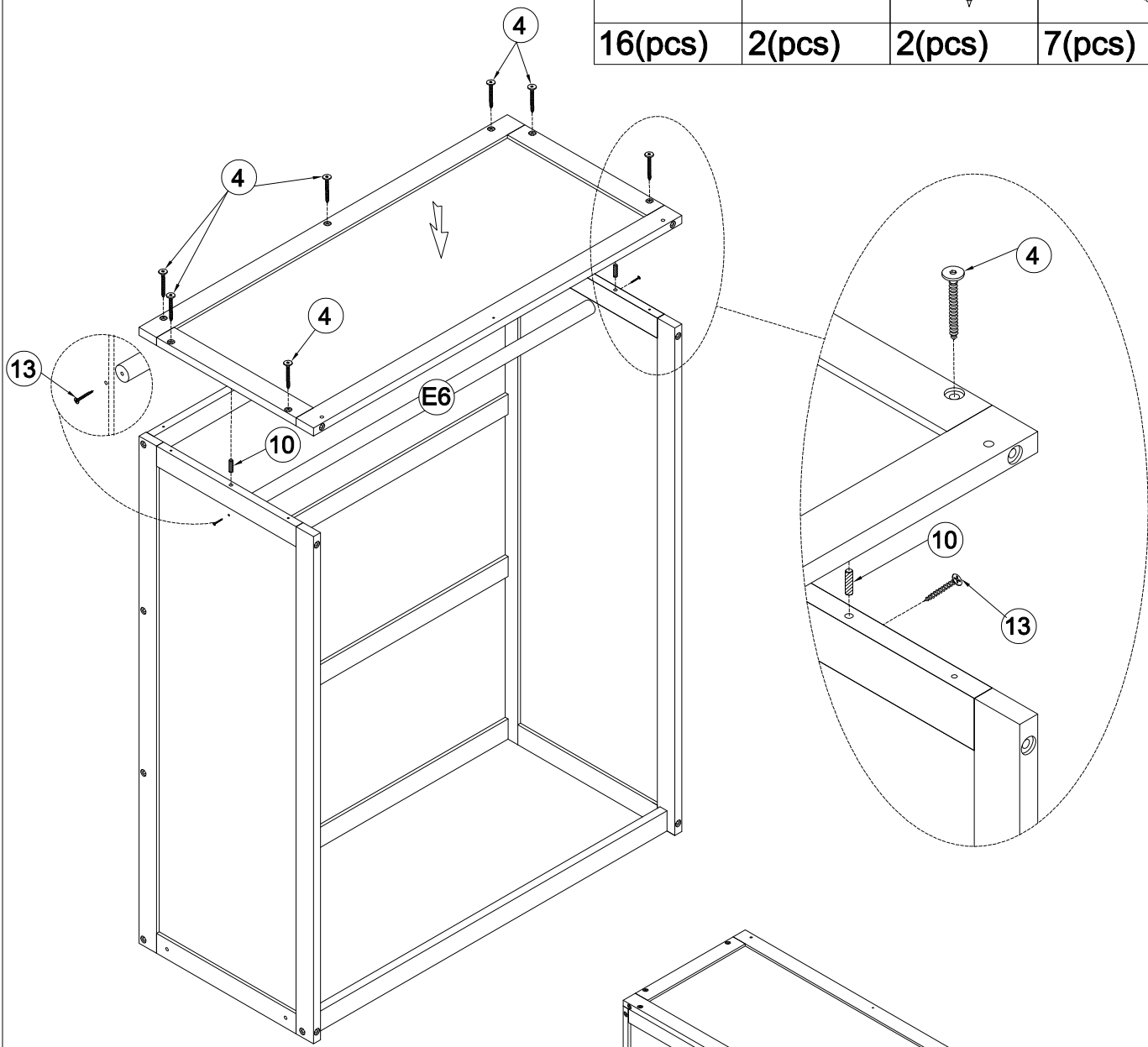
STEP5: Following below illustration.

10		5	
6(pcs)		10(pcs)	



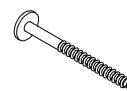
STEP6: Following below illustration.

<p>19</p> 	<p>10</p> 	<p>13</p> 	<p>4</p> 
<p>16(pcs)</p>	<p>2(pcs)</p>	<p>2(pcs)</p>	<p>7(pcs)</p>

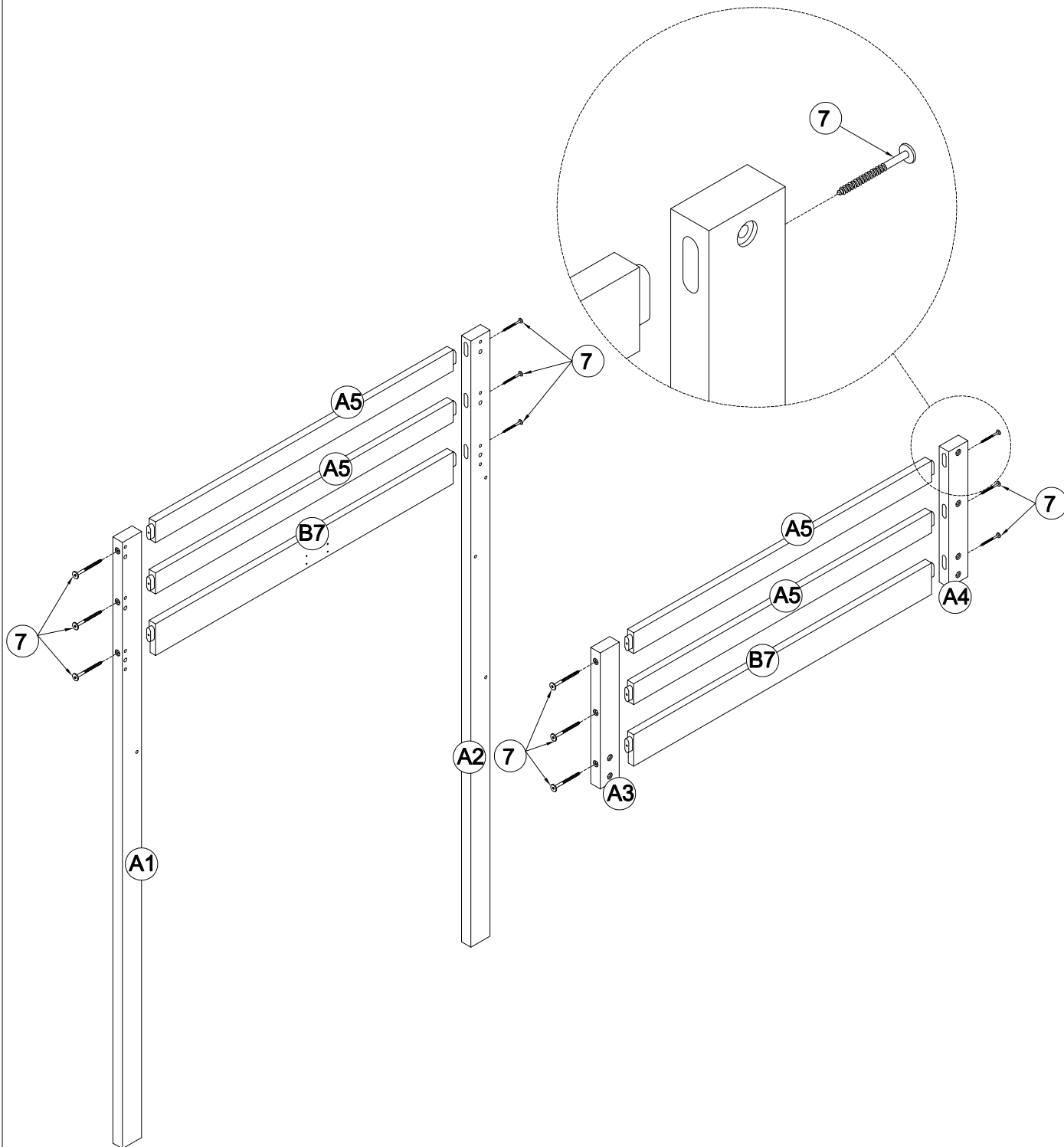


STEP 7: Following below illustration.



7

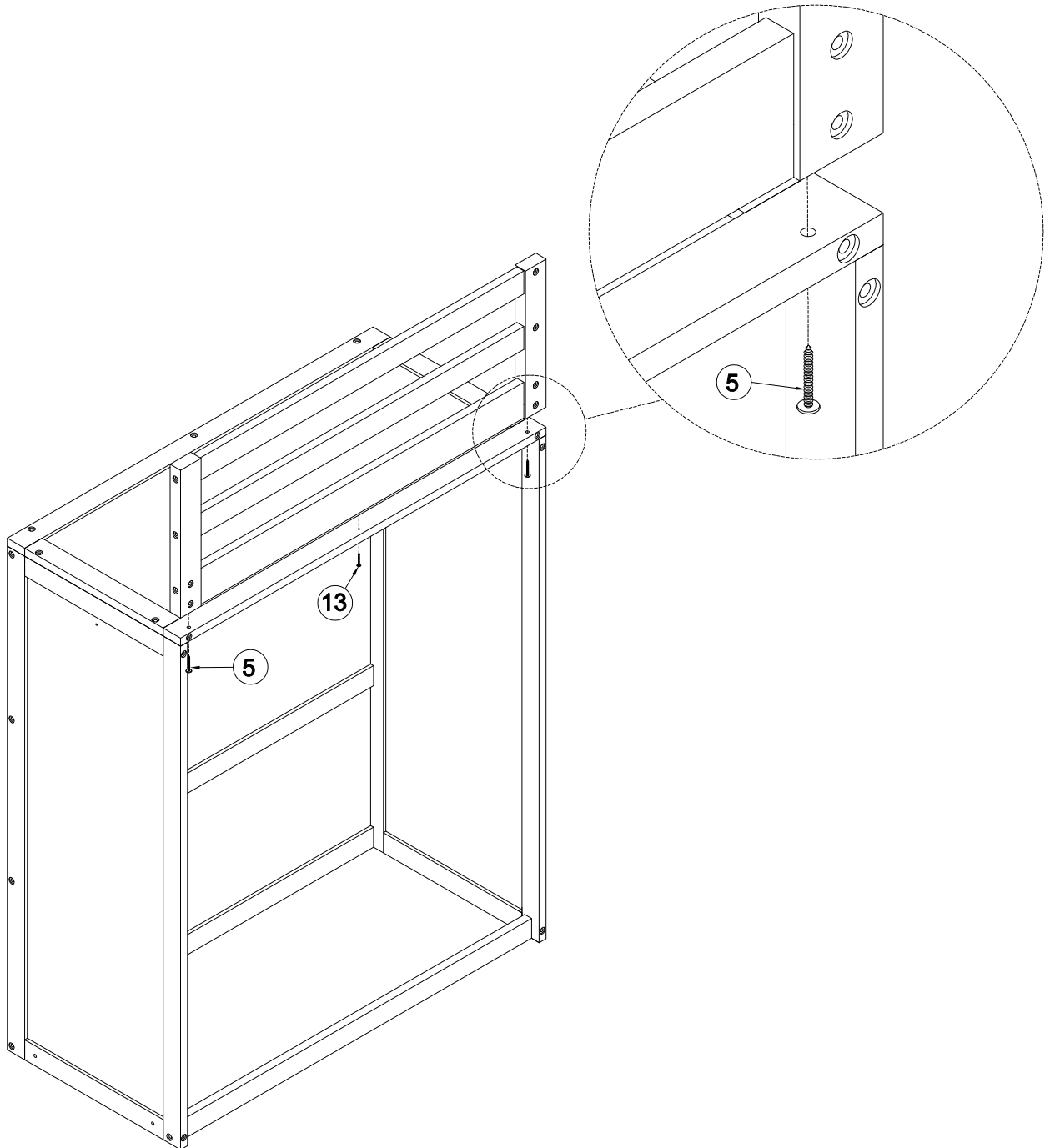


12(pcs)



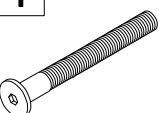



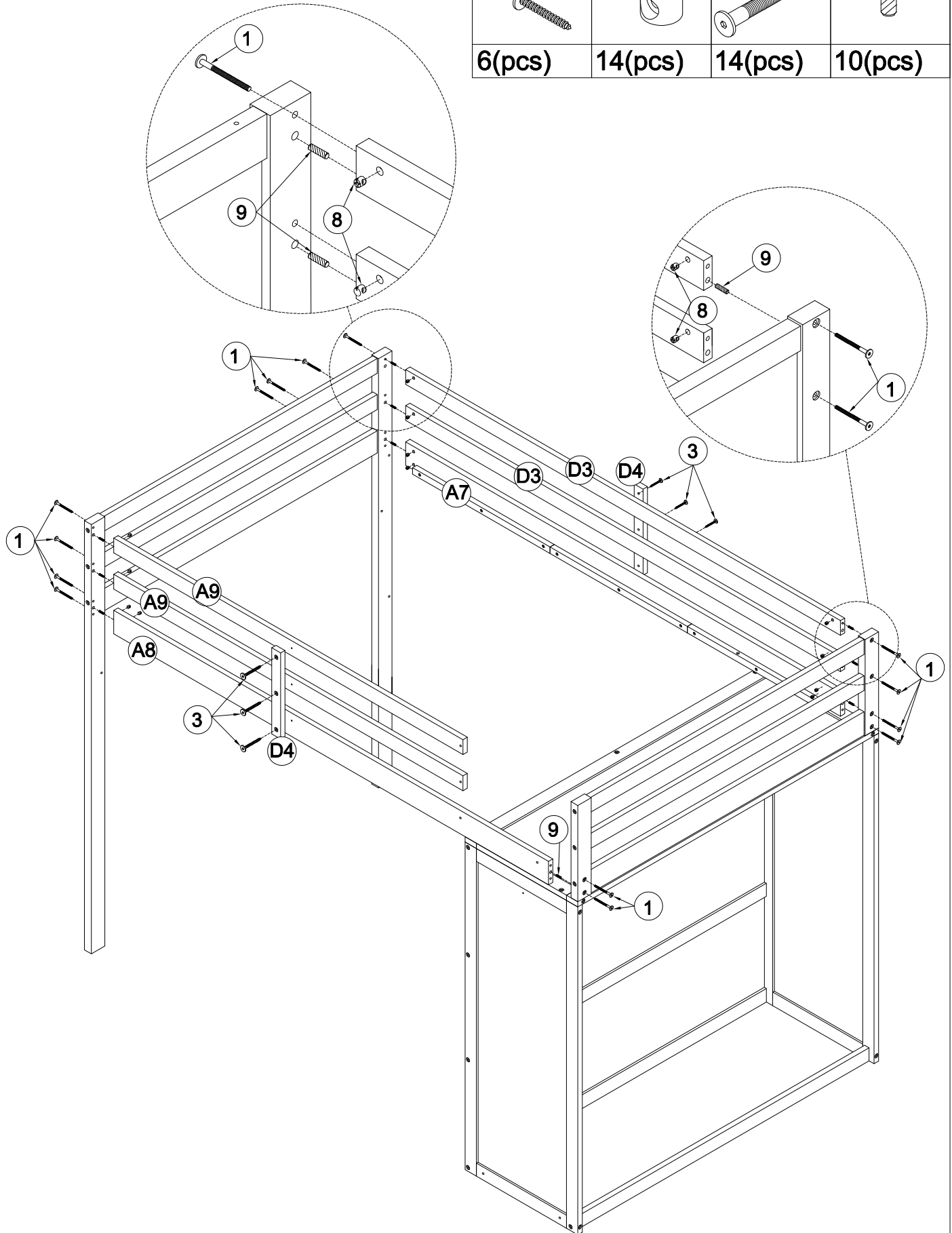
STEP8: Following below illustration.

13		5	
1(pc)		2(pcs)	



STEP9: Following below illustration.

<p>3</p> 	<p>8</p> 	<p>1</p> 	<p>9</p> 
<p>6(pcs)</p>	<p>14(pcs)</p>	<p>14(pcs)</p>	<p>10(pcs)</p>

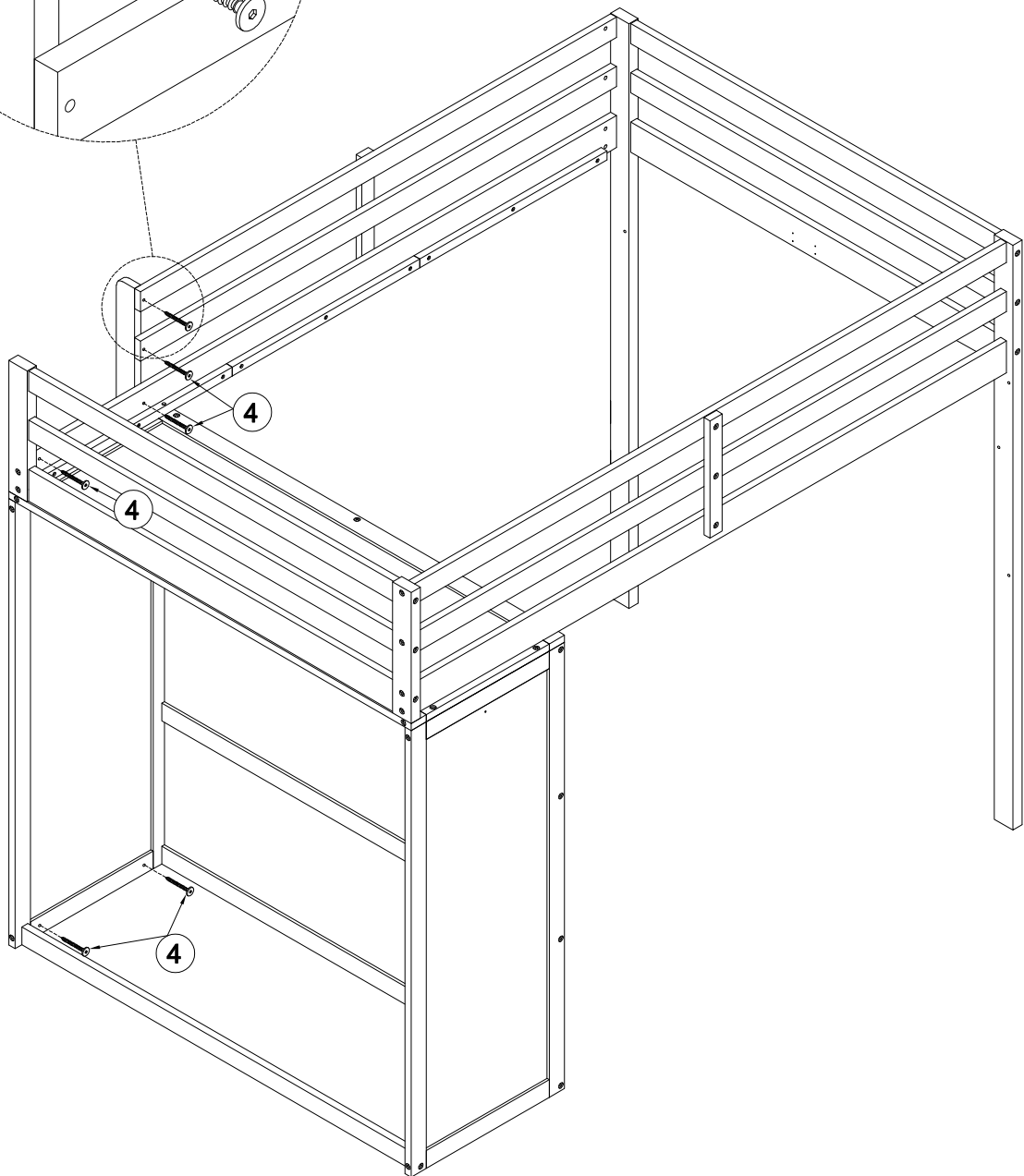
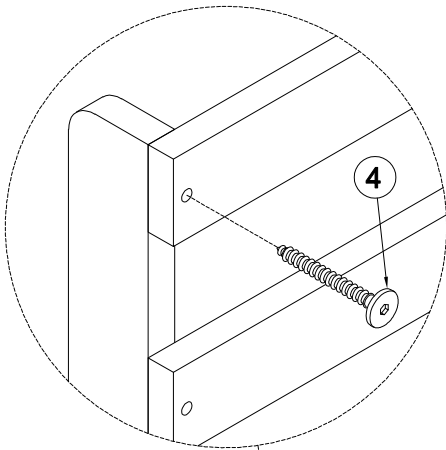


STEP10: Following below illustration.


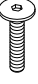
4

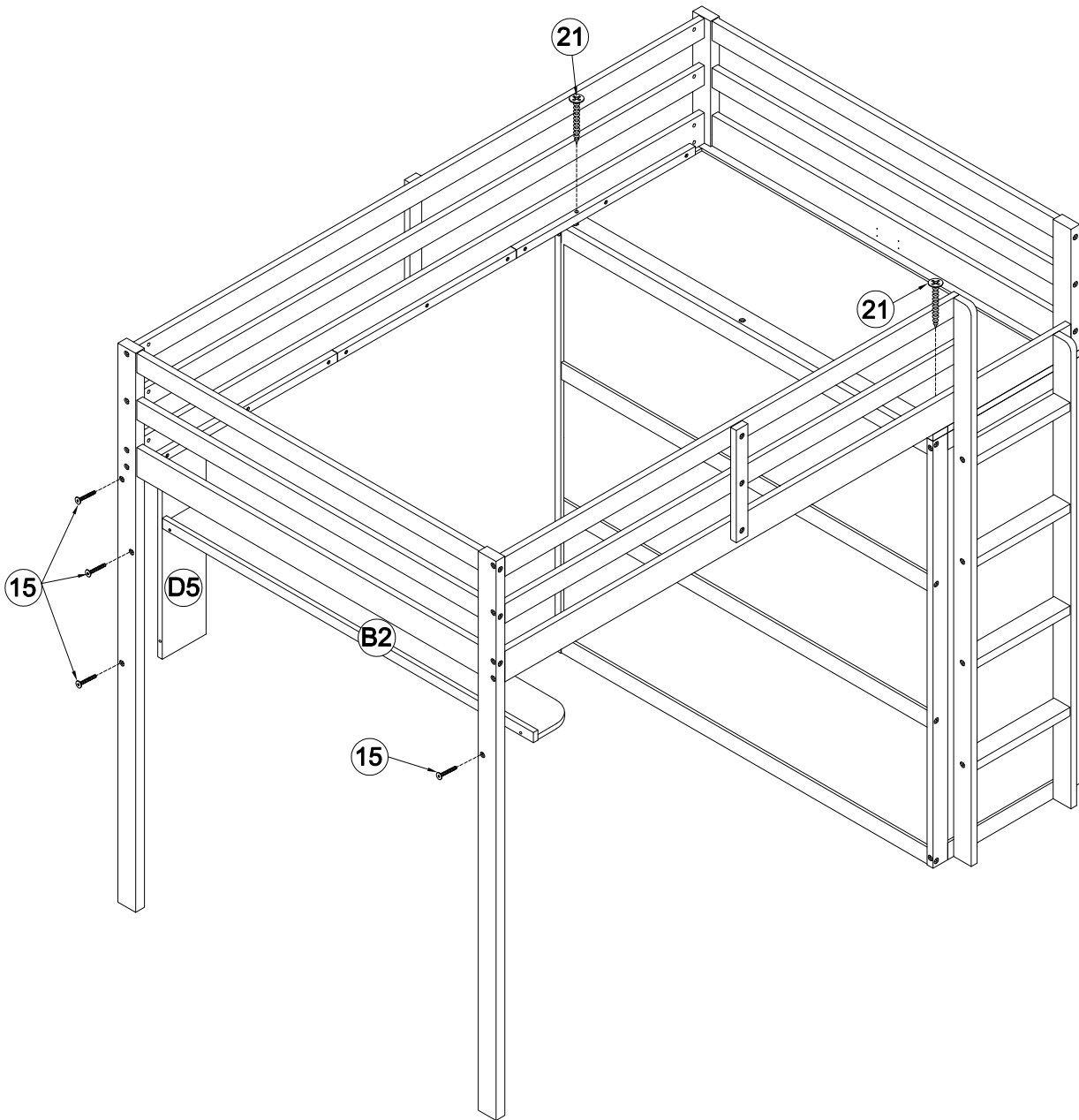


6(pcs)

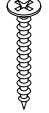
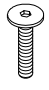
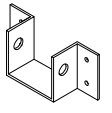



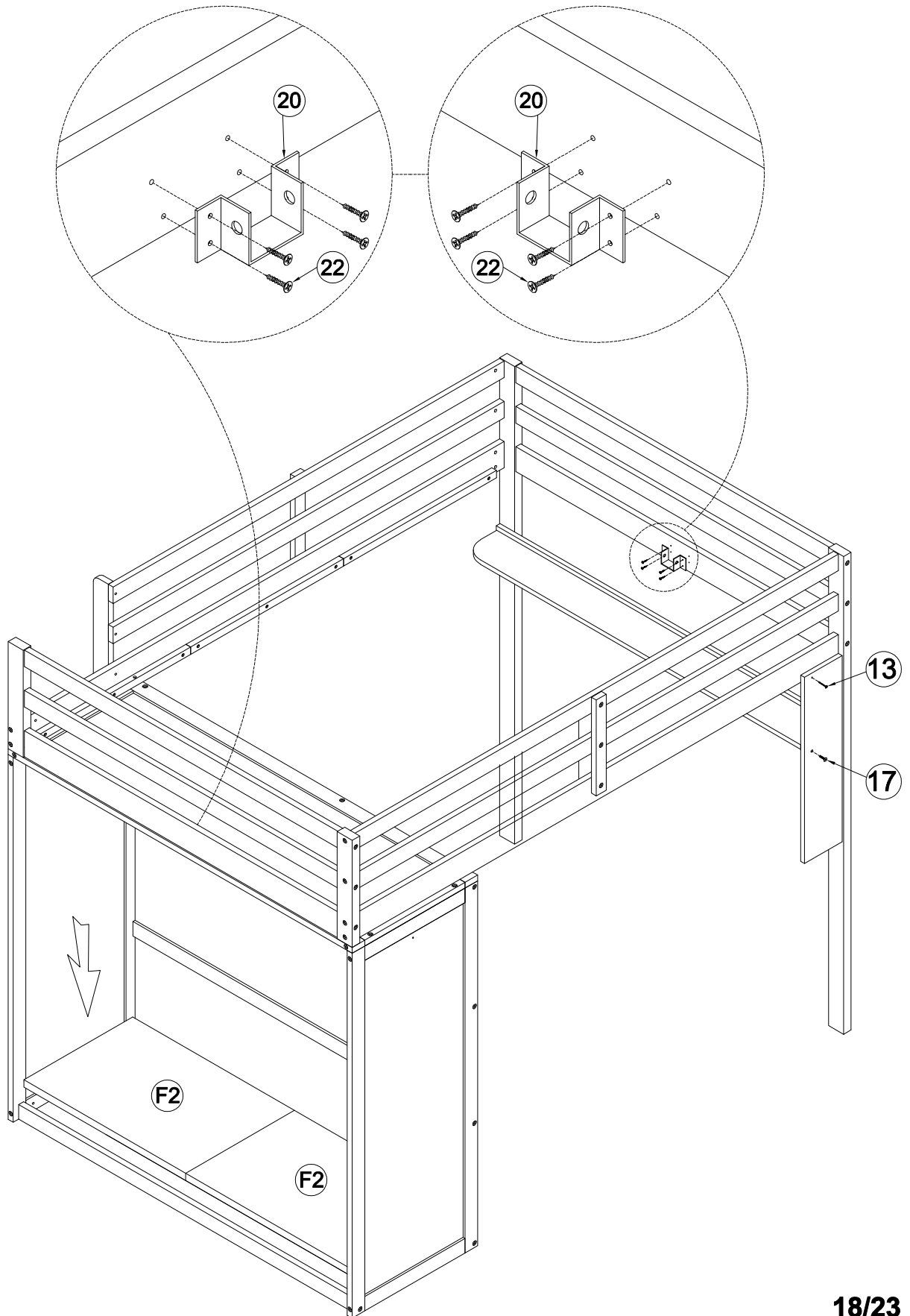
STEP 11: Following below illustration.

21		15	
2(pcs)		4(pcs)	




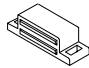


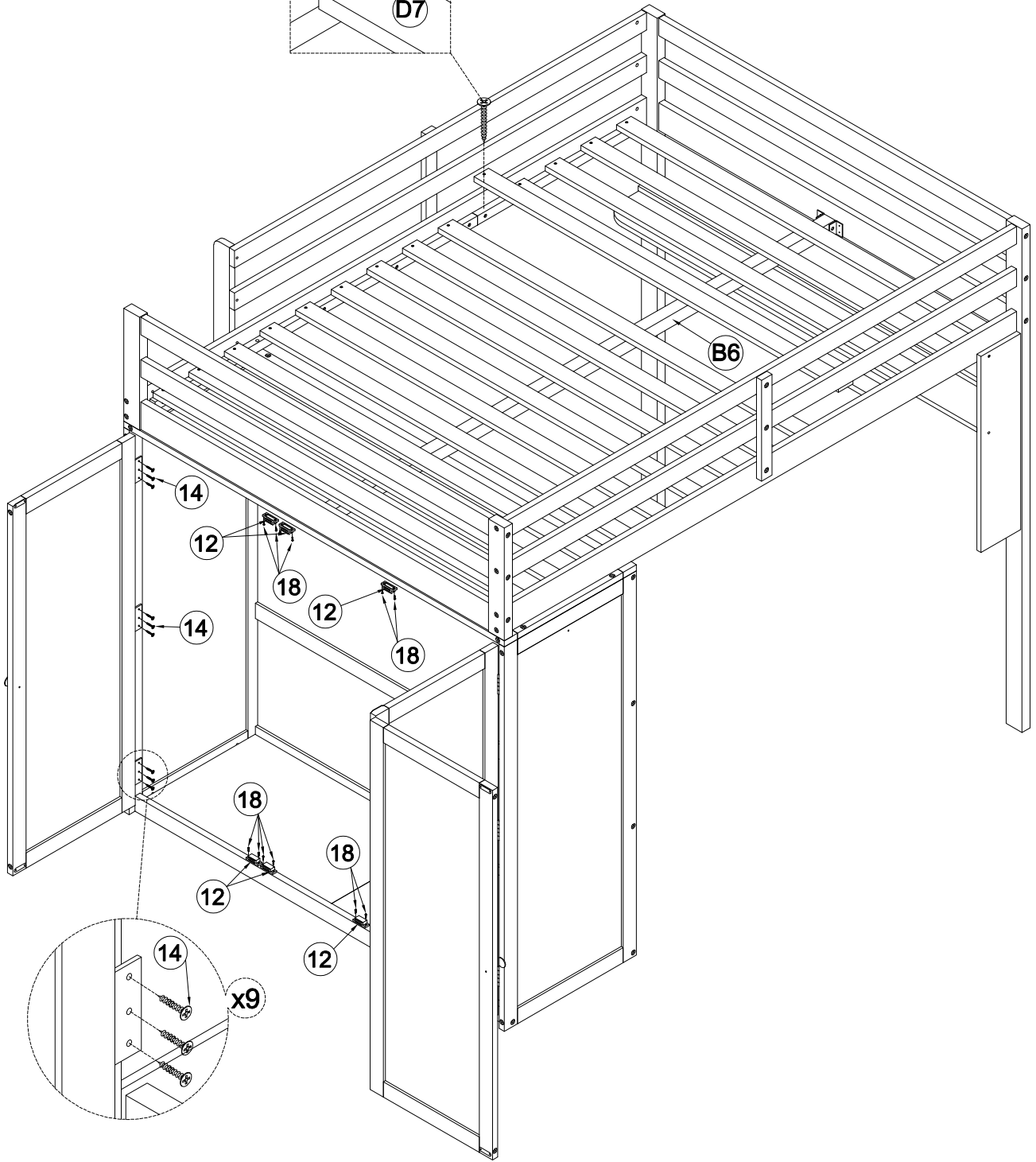
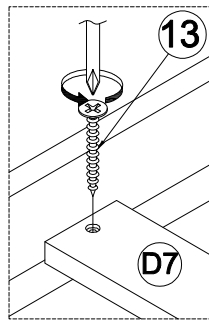
STEP 12: Following below illustration.

13		17		20		22	
1(pc)		1(pcs)		2(pcs)		8(pcs)	

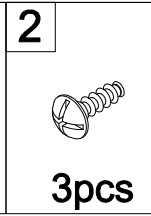
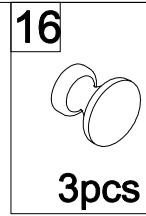
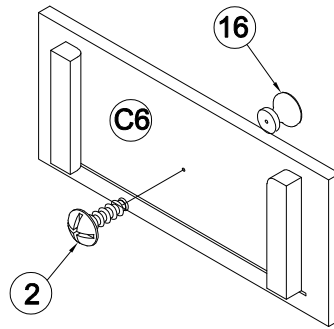


STEP 13: Following below illustration.

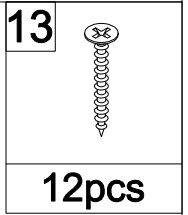
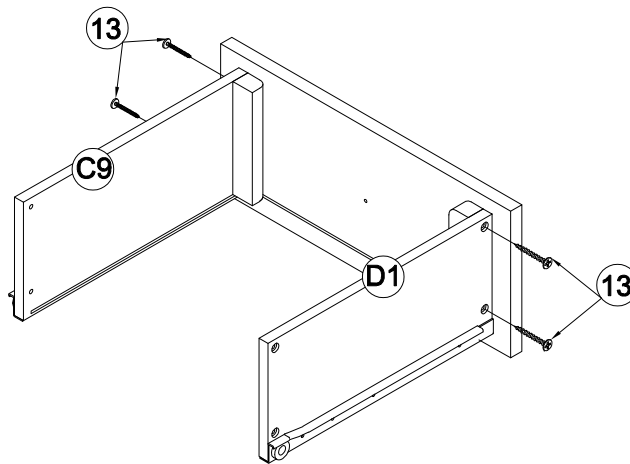
18	13	14	12
			
12(pcs)	28(pcs)	27(pcs)	6(pcs)



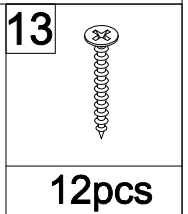
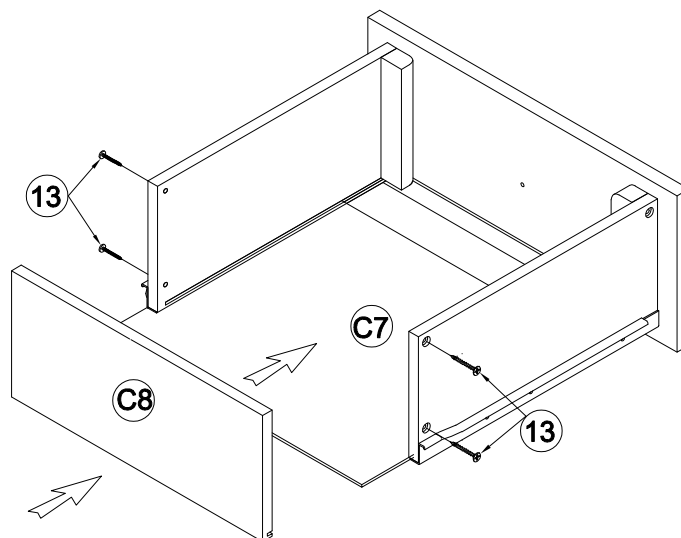
STEP14-1 x 3: Following below illustration.





STEP14-2 x 3: Following below illustration.

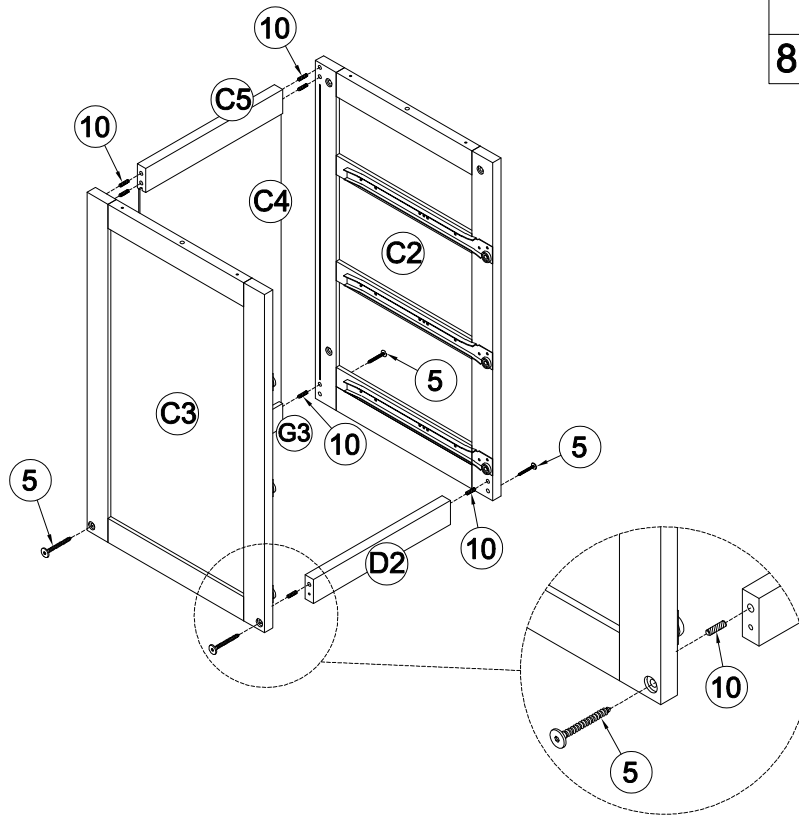


STEP14-3 x 3 : Following below illustration.





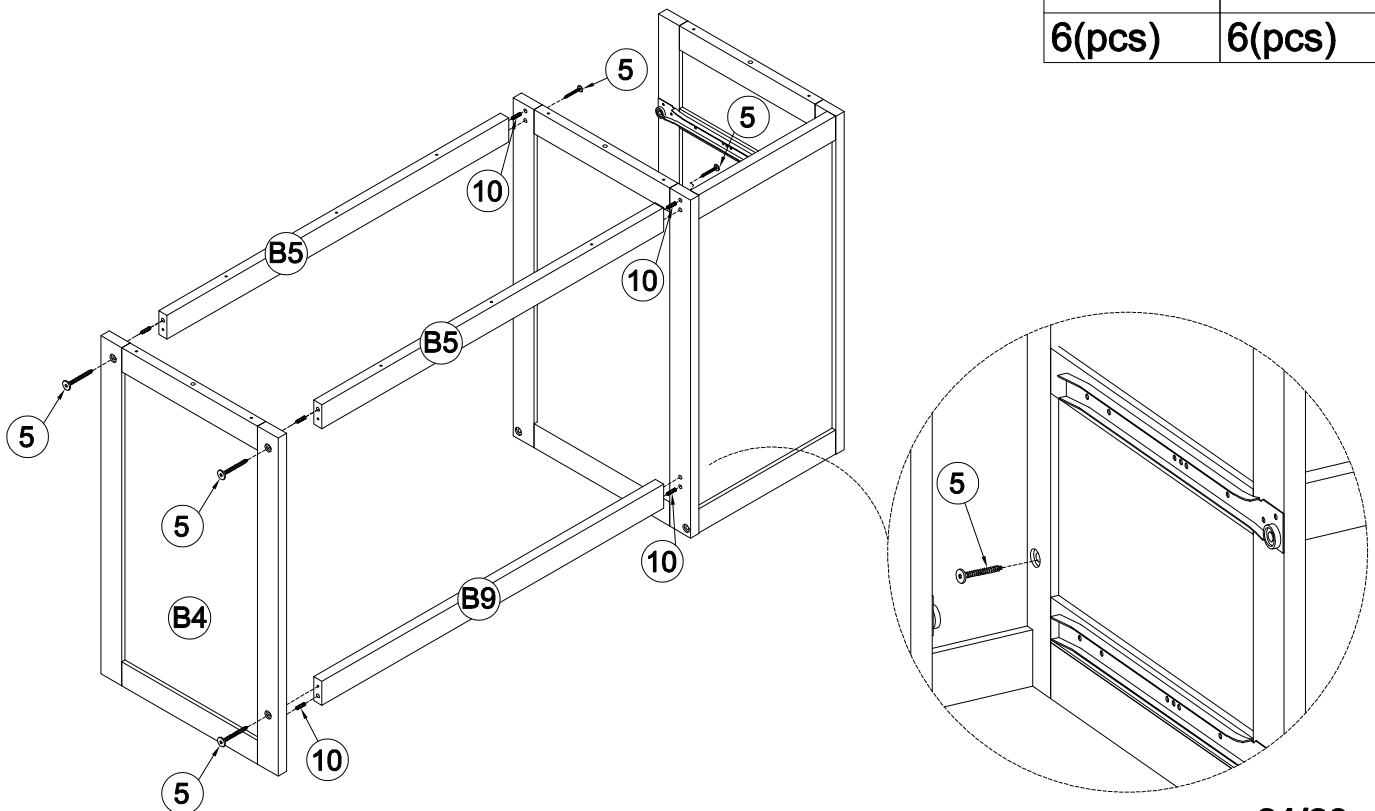
STEP 15: Following below illustration.

10		5	
8(pcs)		4(pcs)	

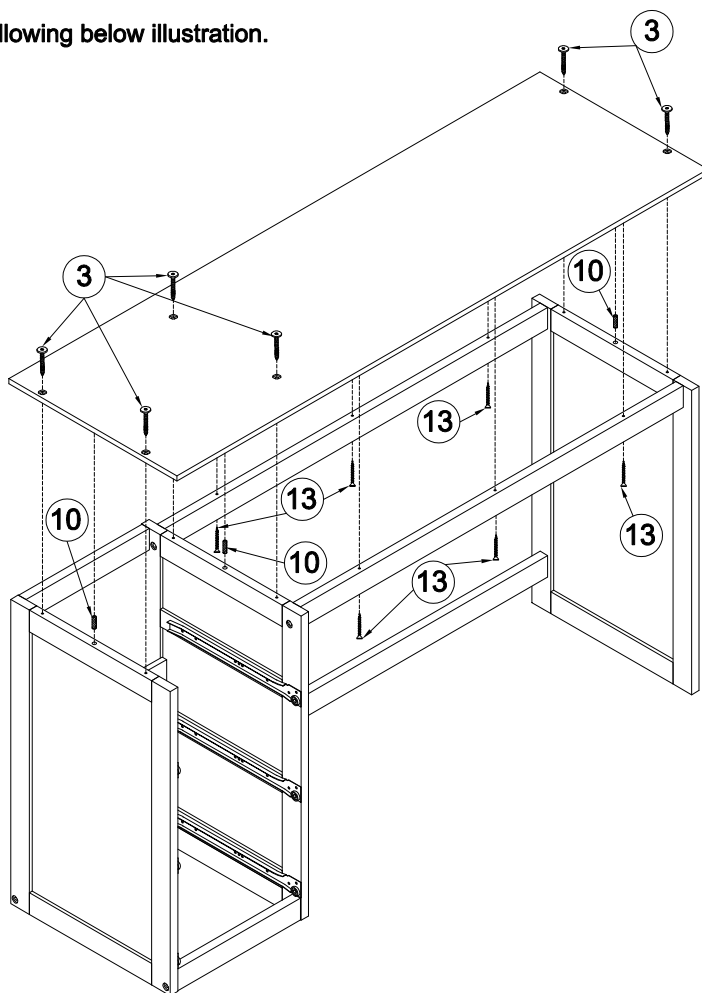


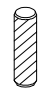

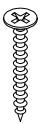
STEP 16: Following below illustration.

10		5	
6(pcs)		6(pcs)	

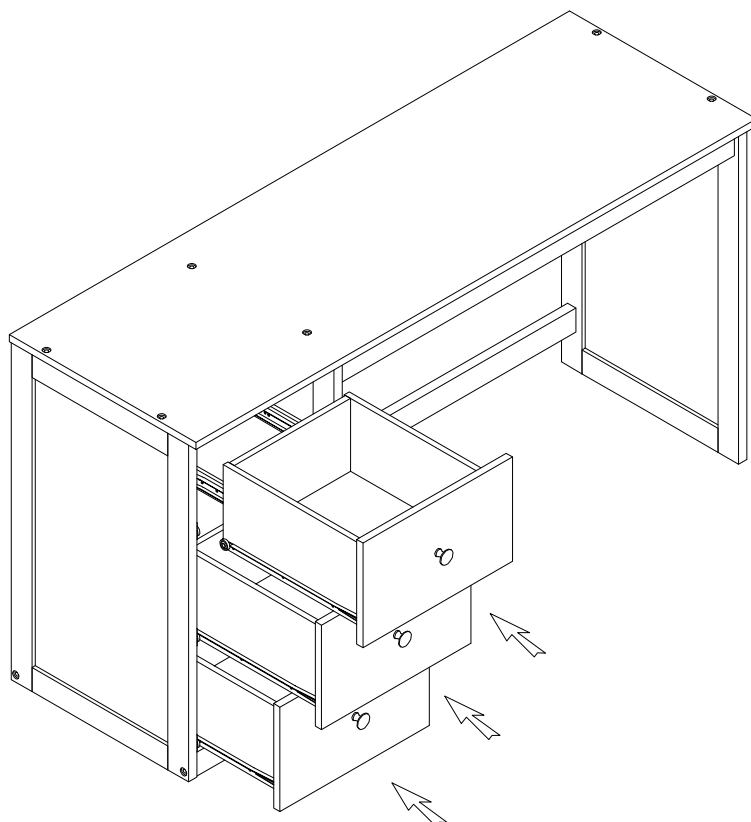


STEP17: Following below illustration.



10 	3 
3(pcs)	6(pcs)
13 	
6pcs	

STEP18: Following below illustration.



STEP 19: Following below illustration.

