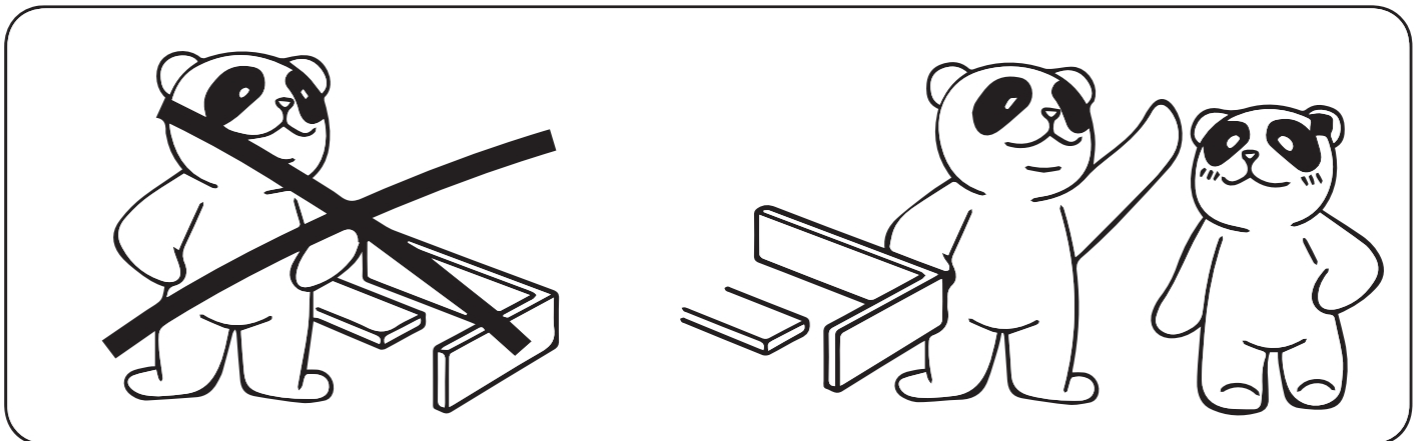
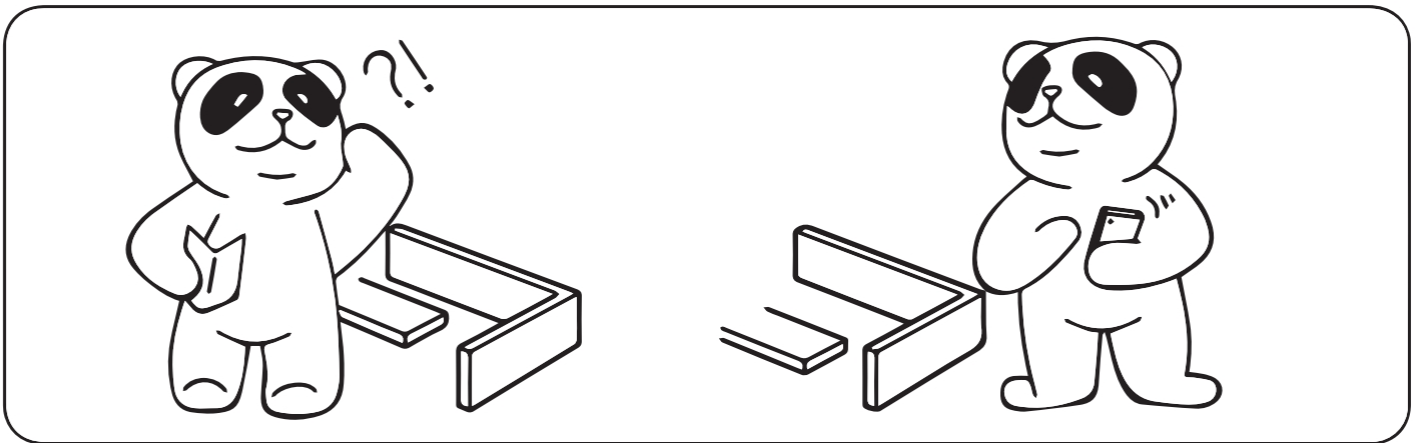
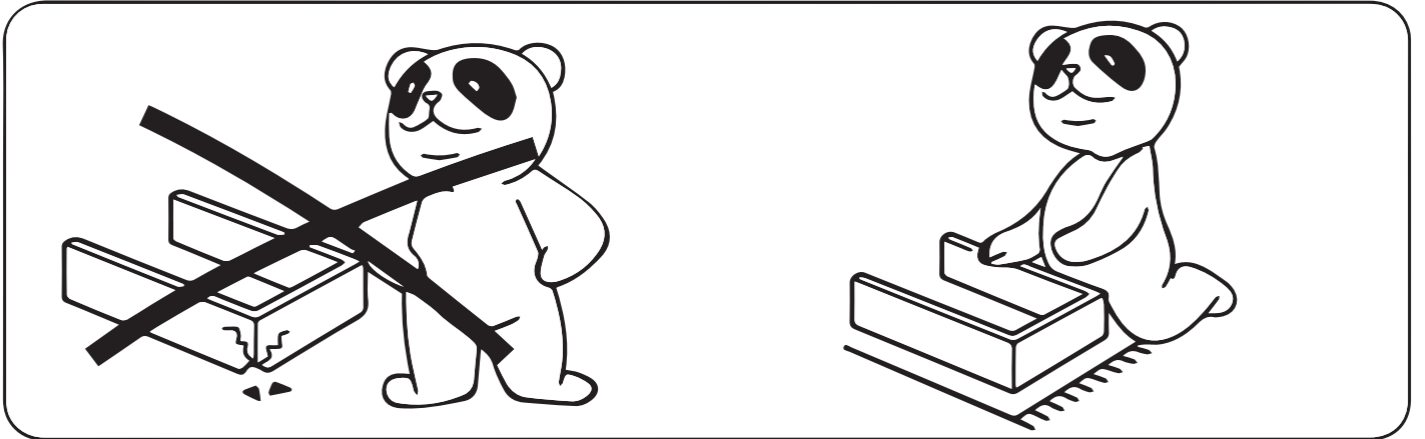
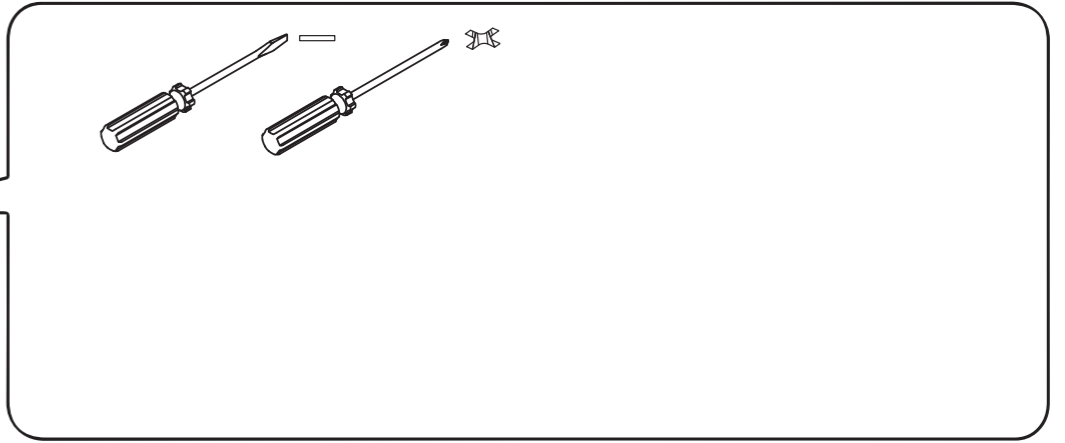
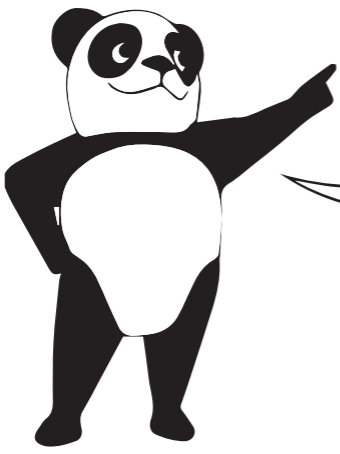
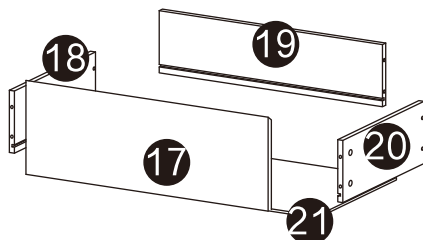
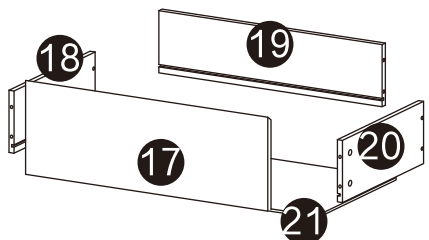
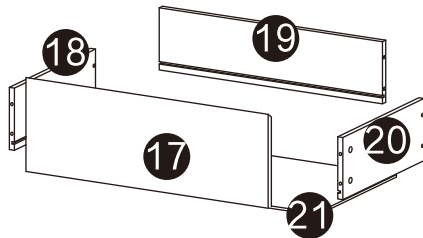
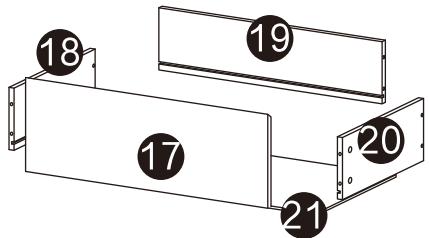
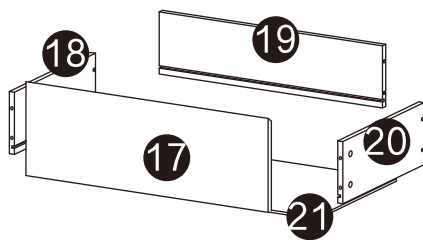
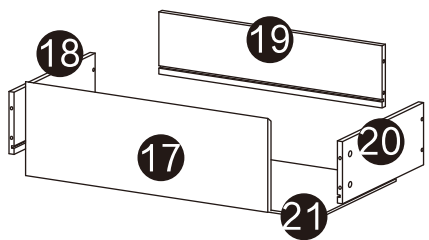
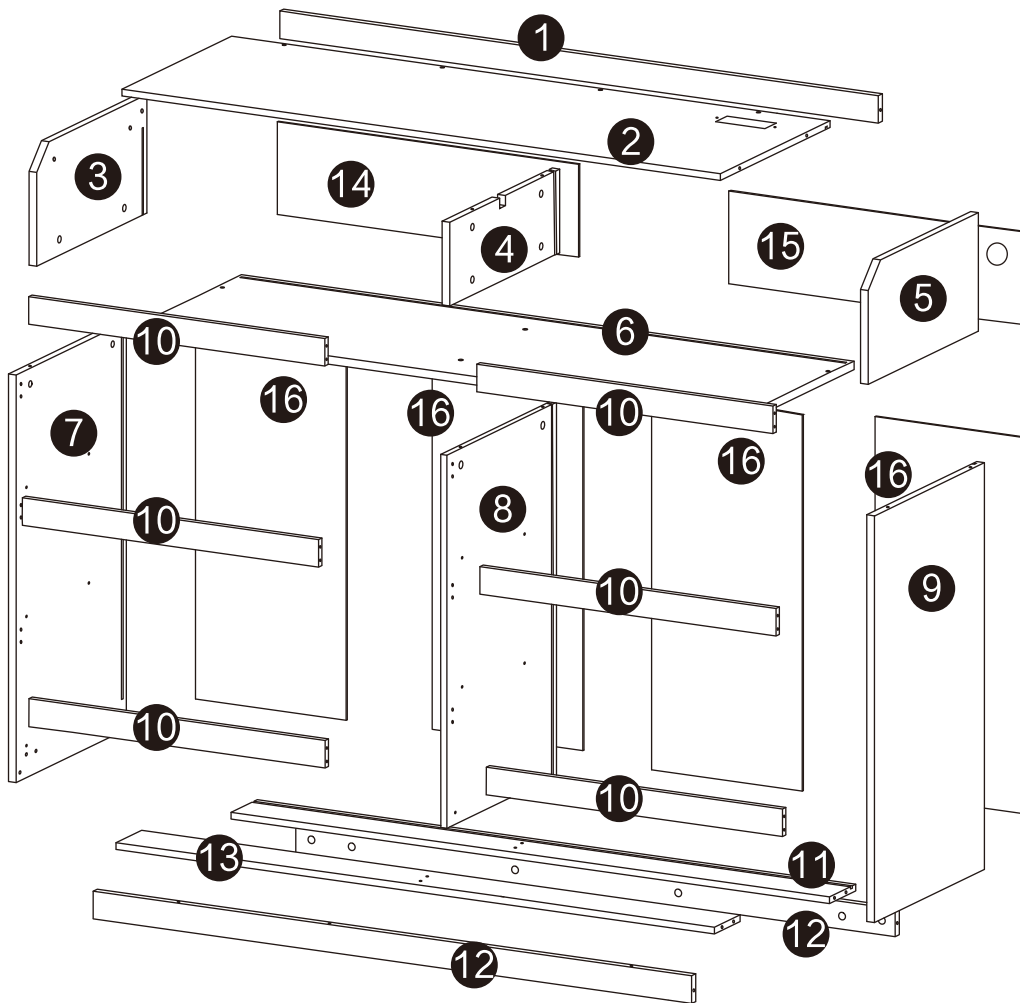
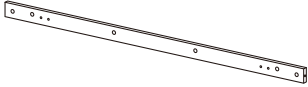
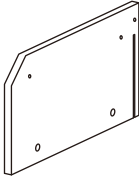
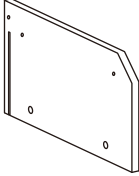



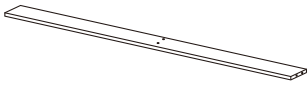
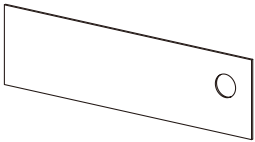

Instruction Manual

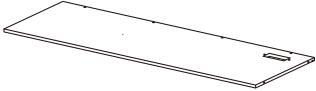
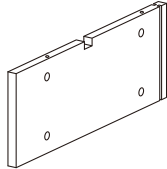
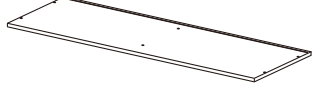

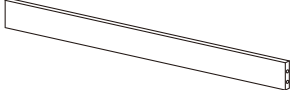
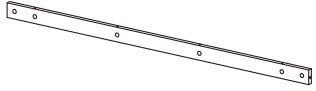
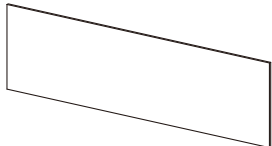

Thanks a lot your support and purchasing.
Please feel free to contact us if you have any questions with assembly or need replacement parts.



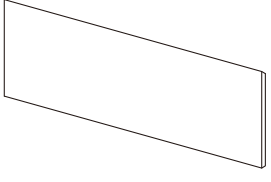
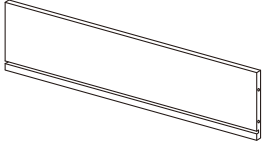
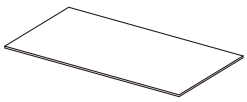


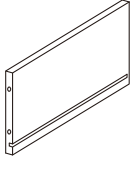
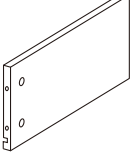
PARTS LIST

Project Number.	Refer to the diagram.	Quantity.
1		x1
3		x1
5		x1
7		x1
9		x1
11		x1
13		x1
15		x1


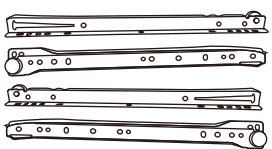


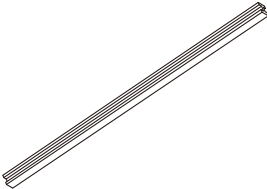
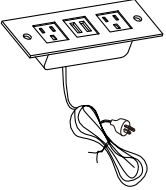
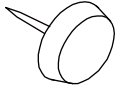
Project Number.	Refer to the diagram.	Quantity.
2		x1
4		x1
6		x1
8		x1
10		x6
12		x2
14		x1
16		x4


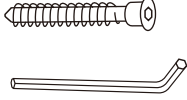


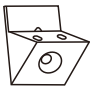
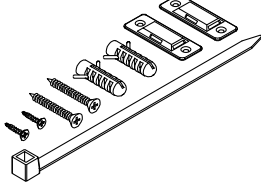

PARTS LIST

Project Number.	Refer to the diagram.	Quantity.
17		x6
19		x6
21		x6

Project Number.	Refer to the diagram.	Quantity.
18		x6
20		x6

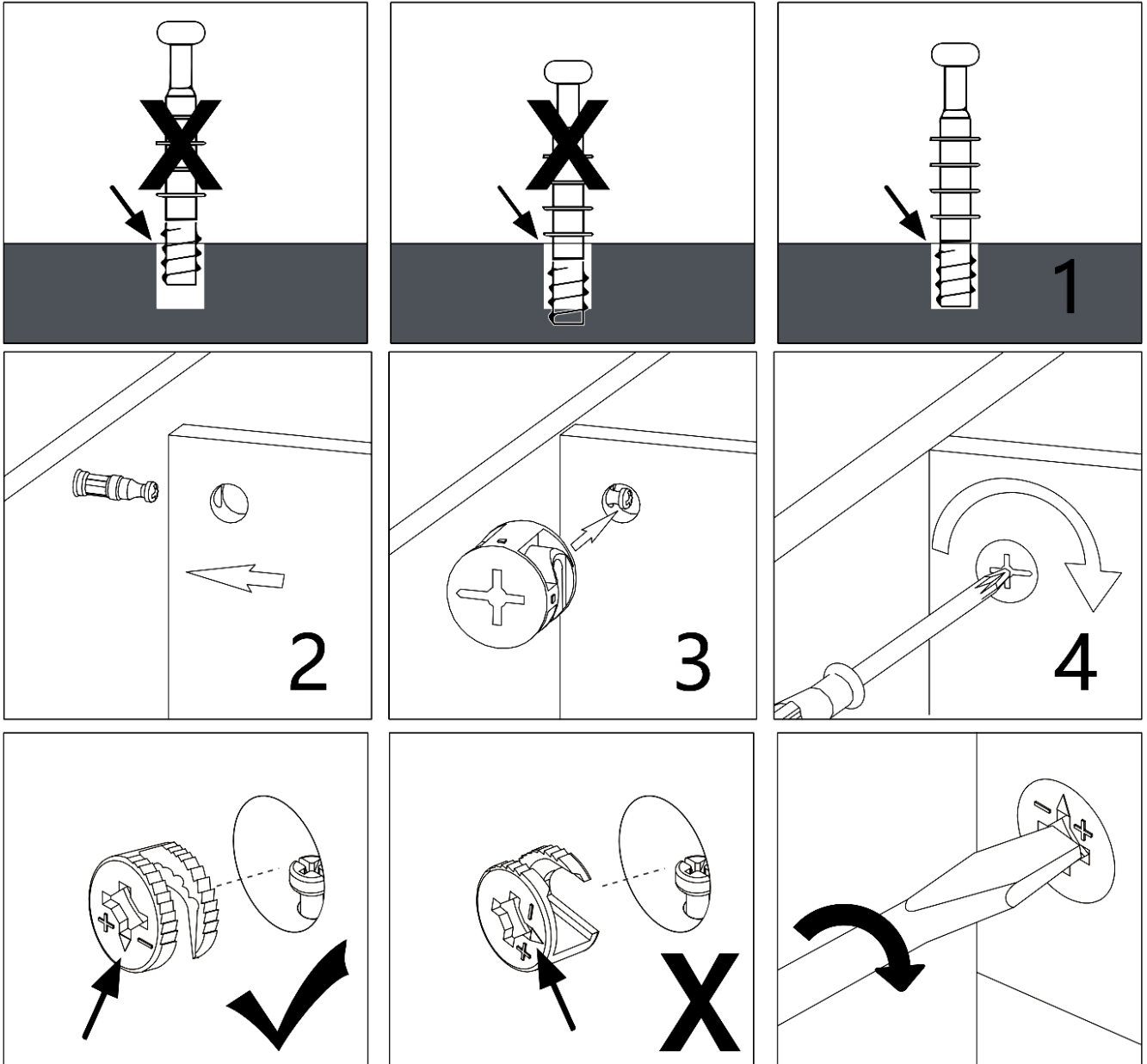
HARDWARE LIST

Project Number.	Refer to the diagram.	Quantity.
Ⓐ		x80
Ⓒ	C=CL+CR+DL+DR 	x6
Ⓔ		x87
Ⓖ		x1
Ⓘ		x2
Ⓚ		x1
Ⓜ		x10

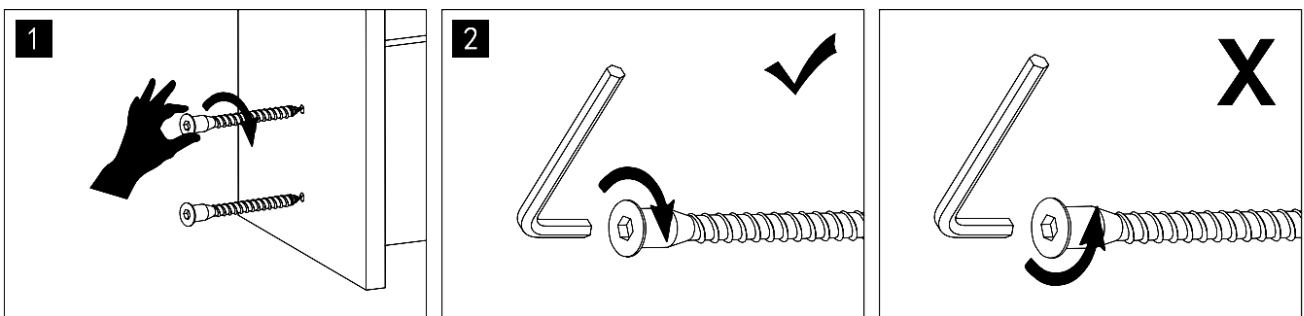
Project Number.	Refer to the diagram.	Quantity.
Ⓑ		x80
Ⓓ		x28
Ⓕ		x12
Ⓗ		x5
Ⓙ		x32
Ⓛ		x2
Ⓝ		x10

Hardware installation indication

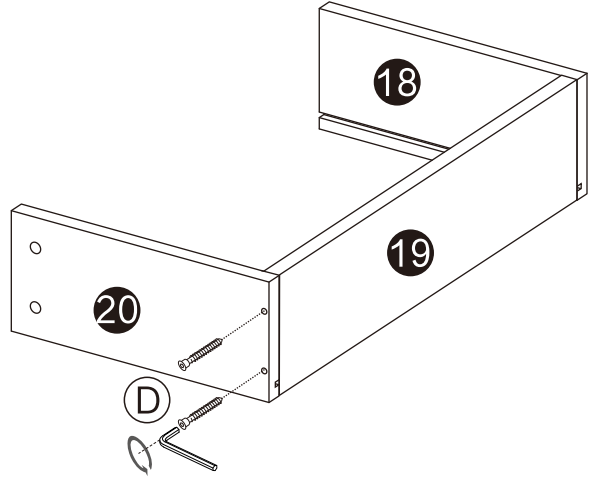
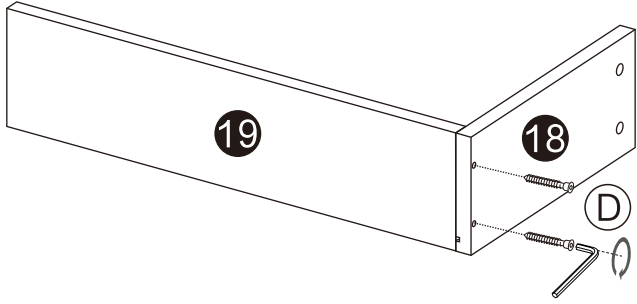
Installation method of three in one rod and buckle



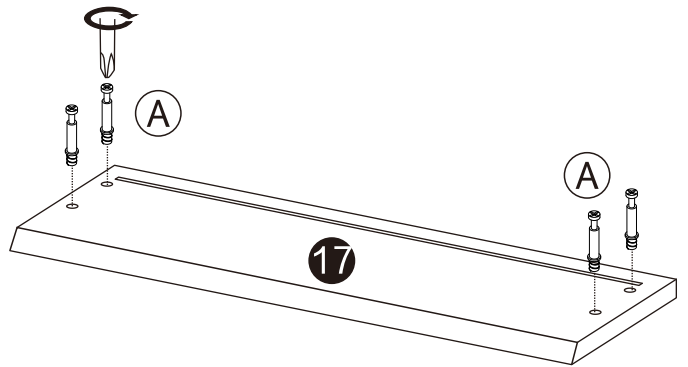
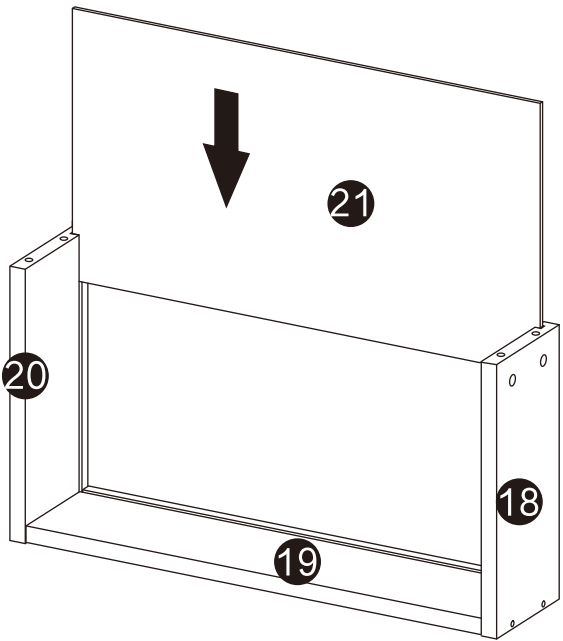
Screw installation method

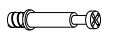



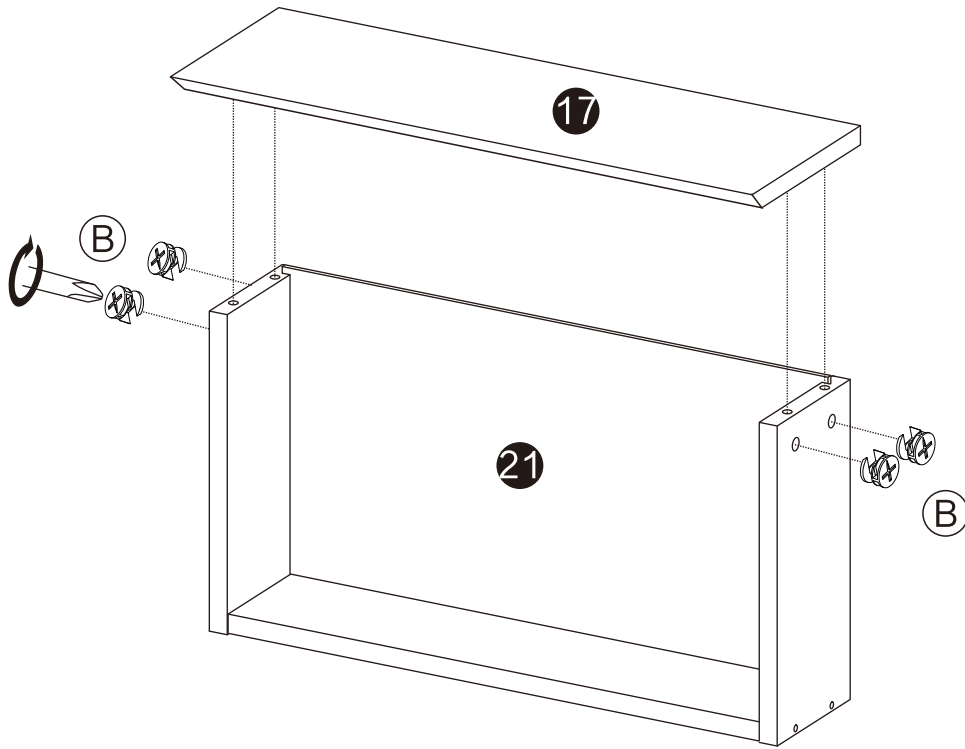
1



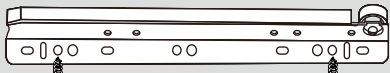
X6



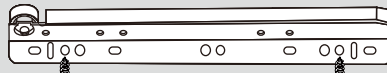
A		x24
D		x24



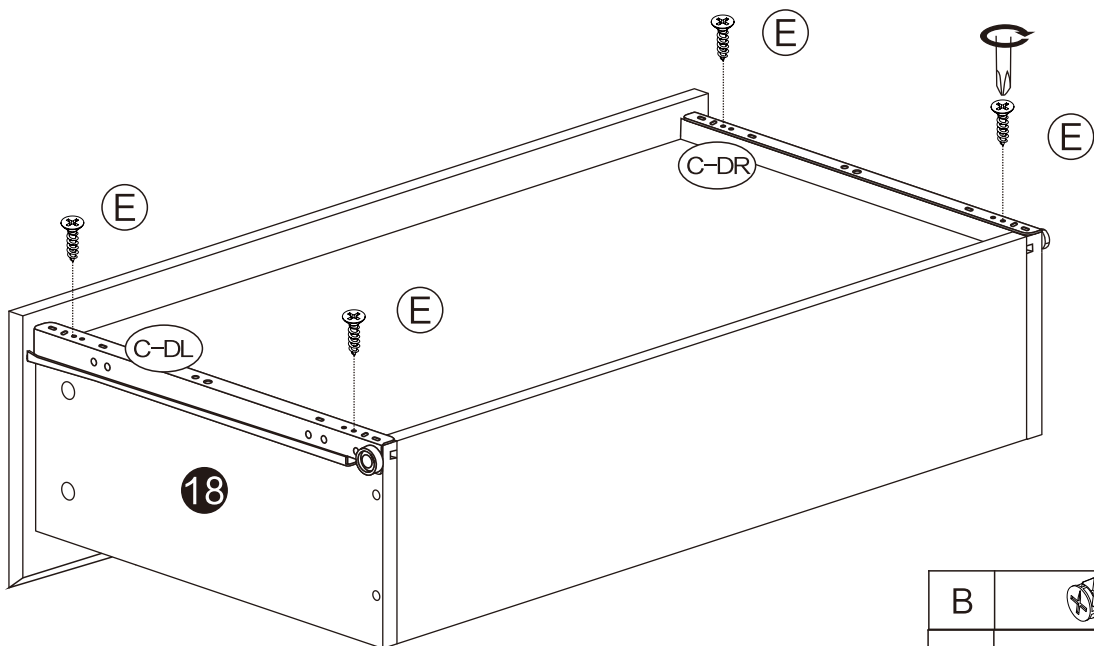
X6







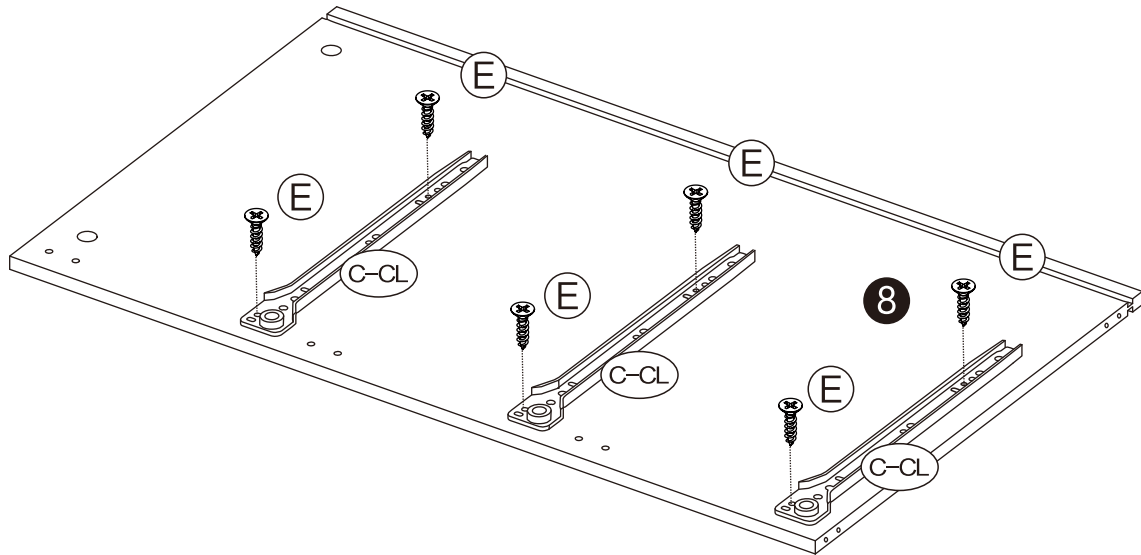
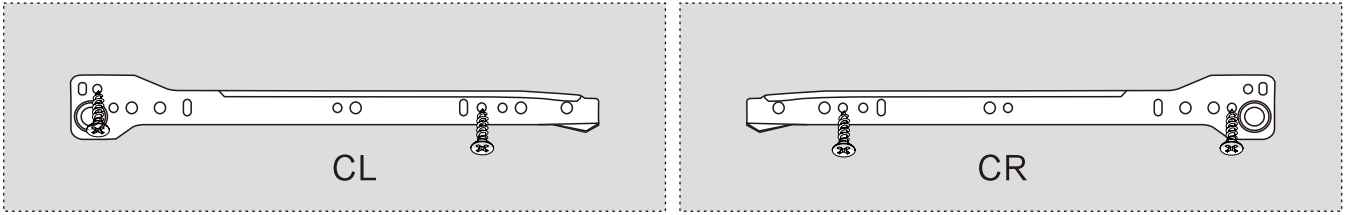
DL



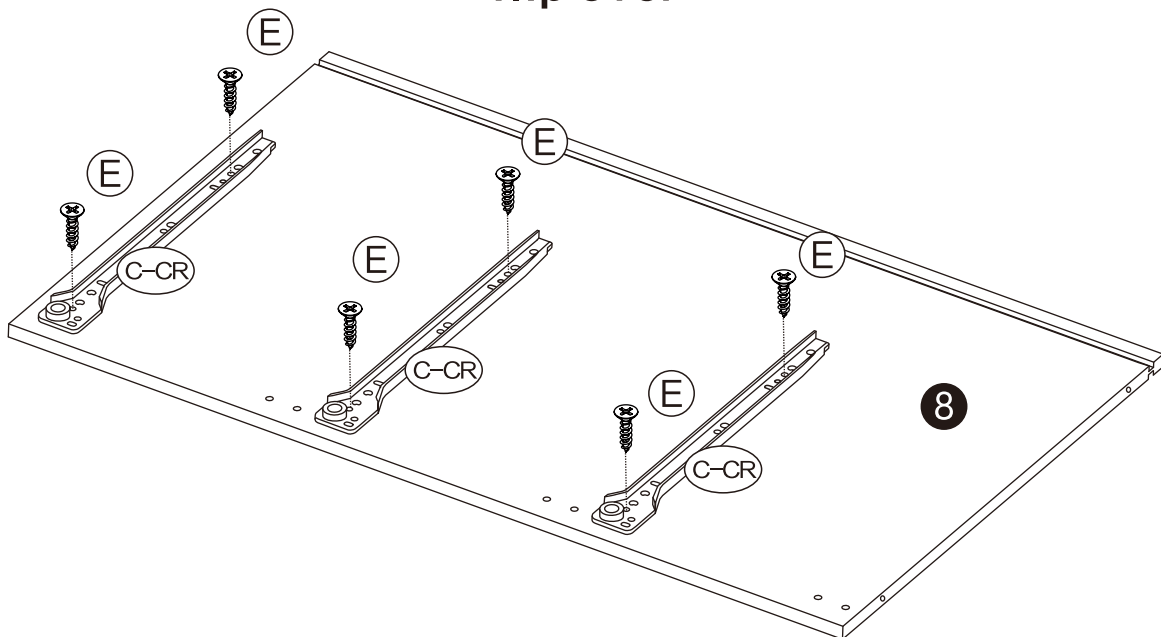
DR






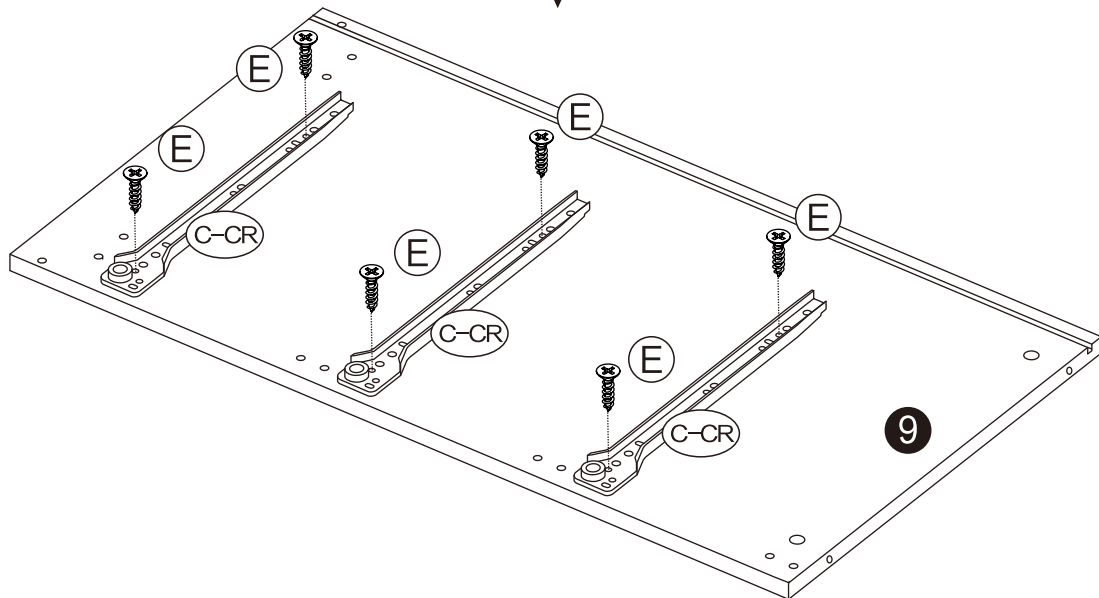
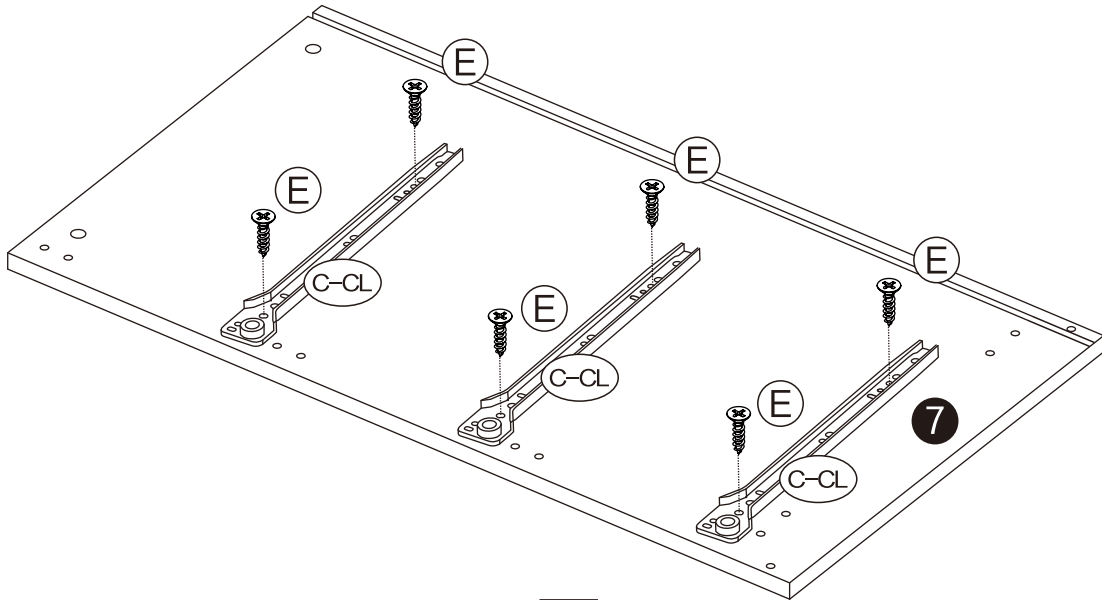
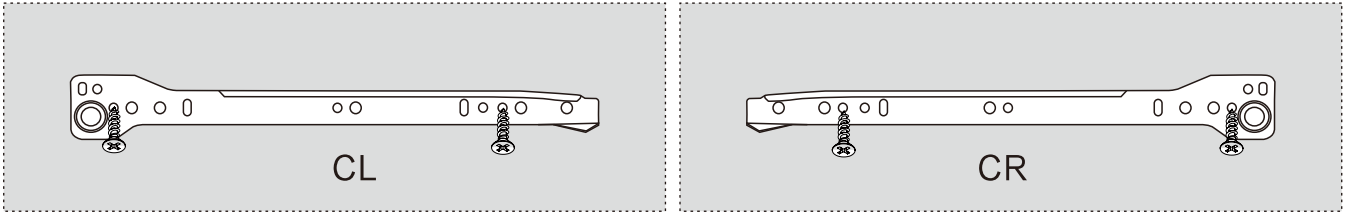
B		x24
C-DL		x6
C-DR		x6
E		x24






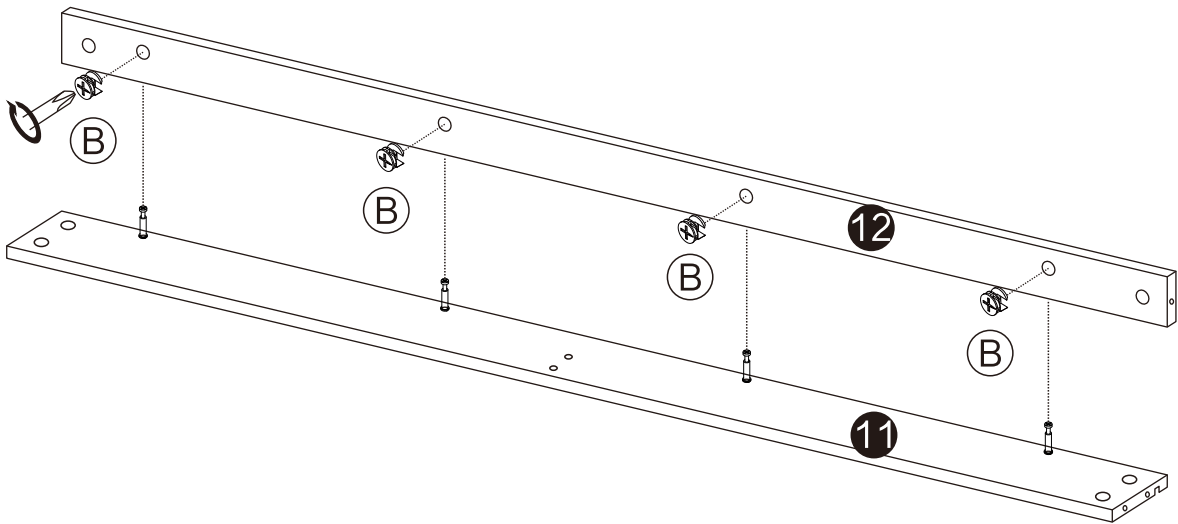
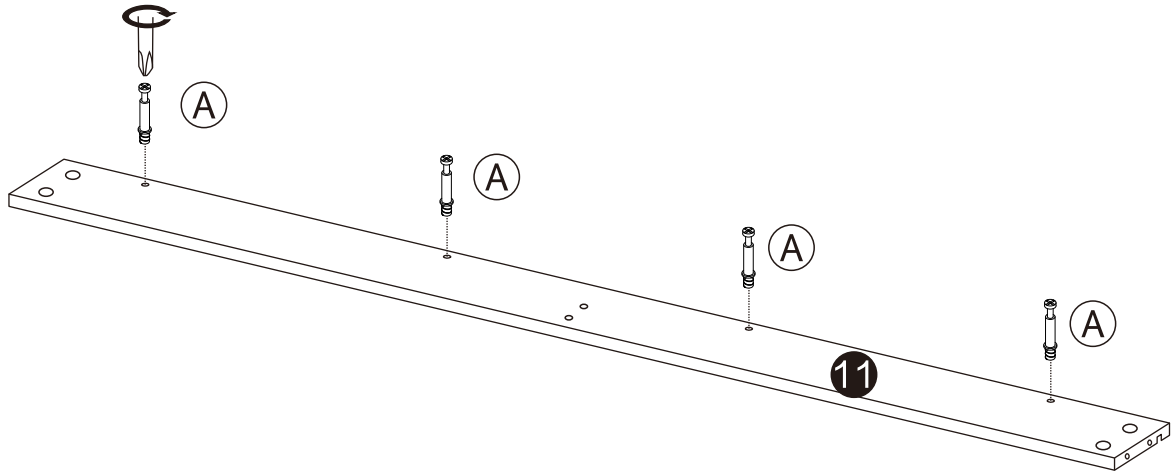
flip over

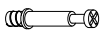



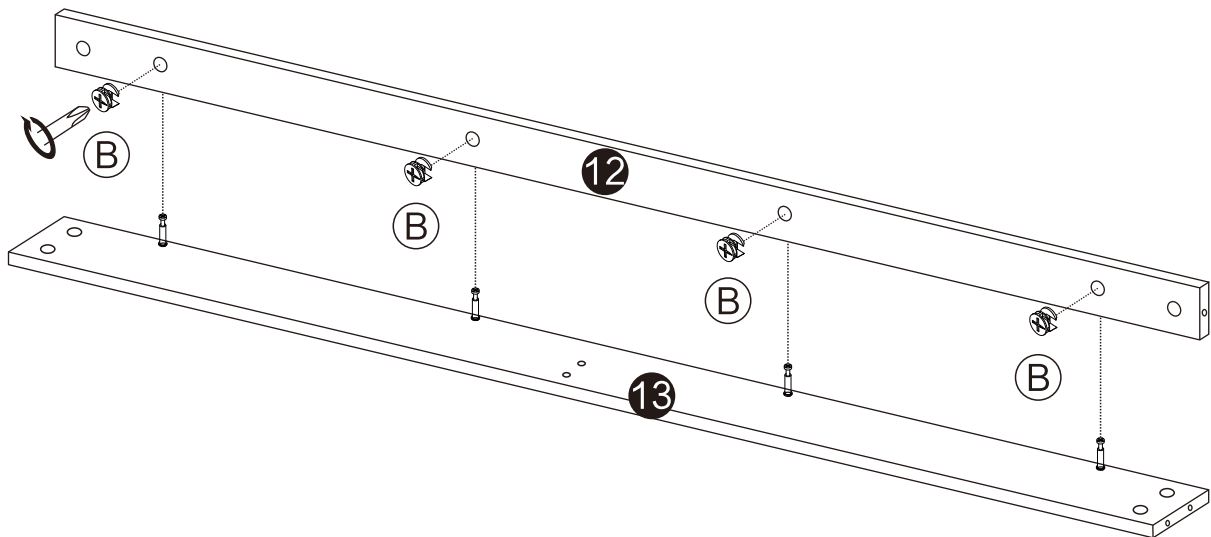
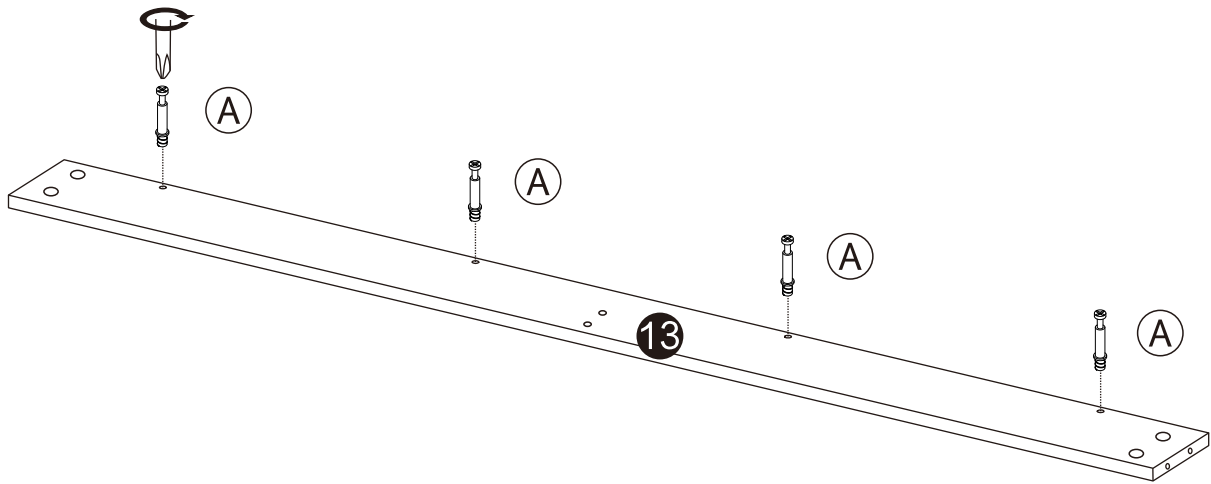
E		x12
C-CL		x3
C-CR		x3

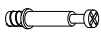



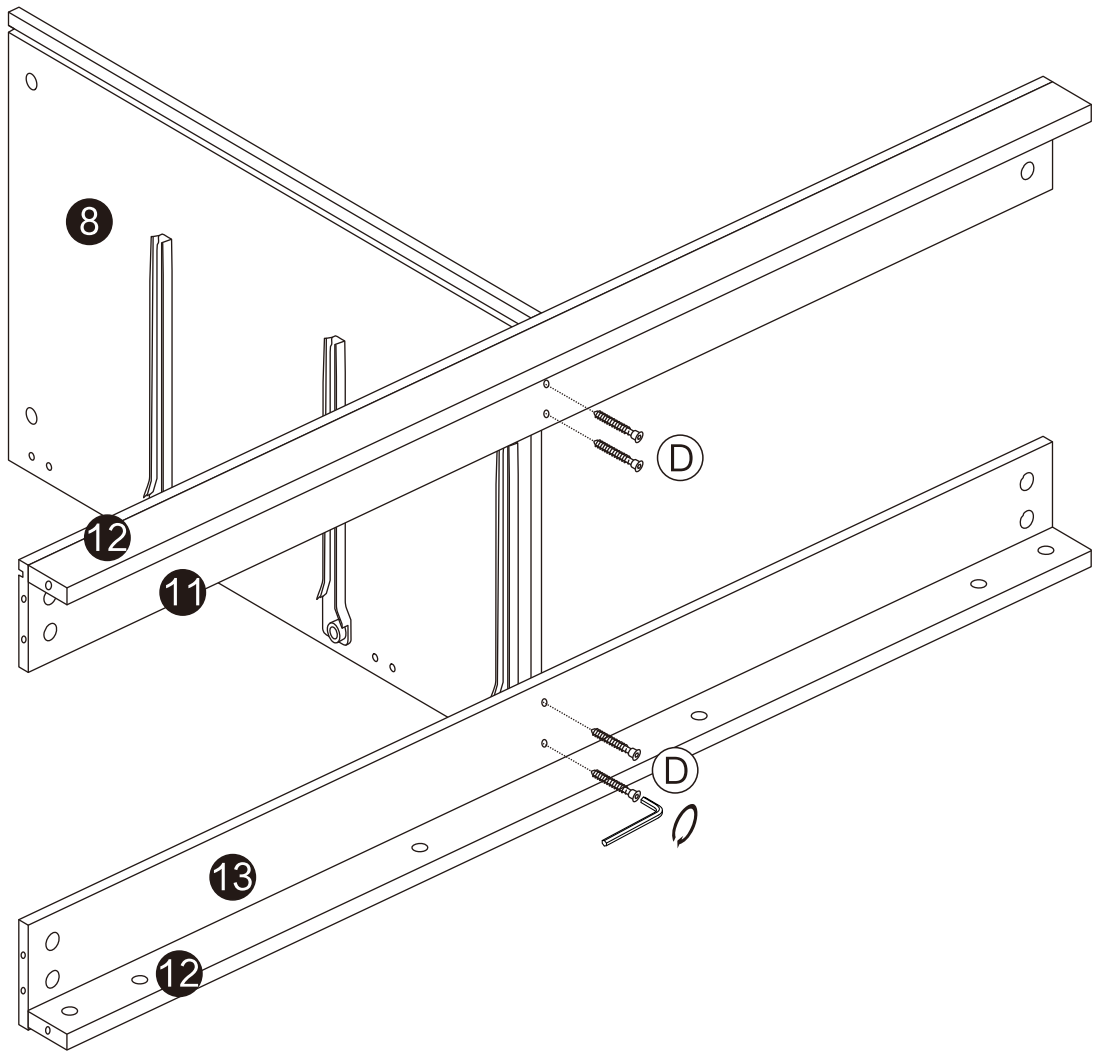
E		x12
C-CL		x3
C-CR		x3




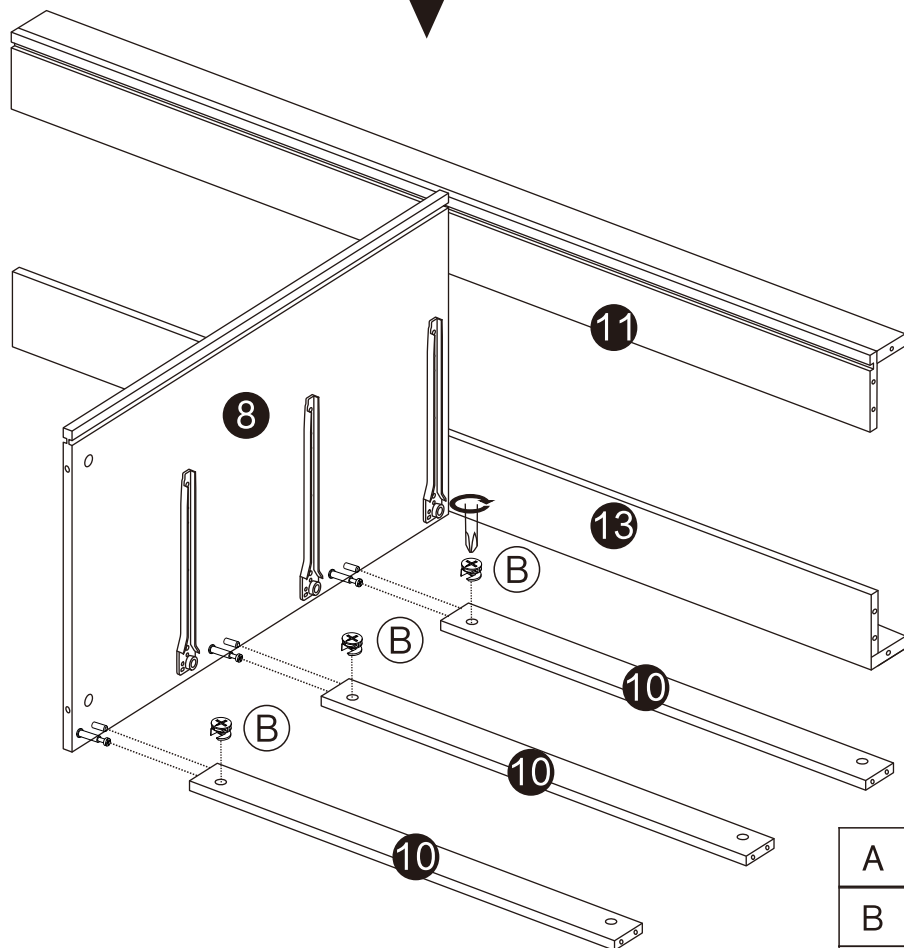
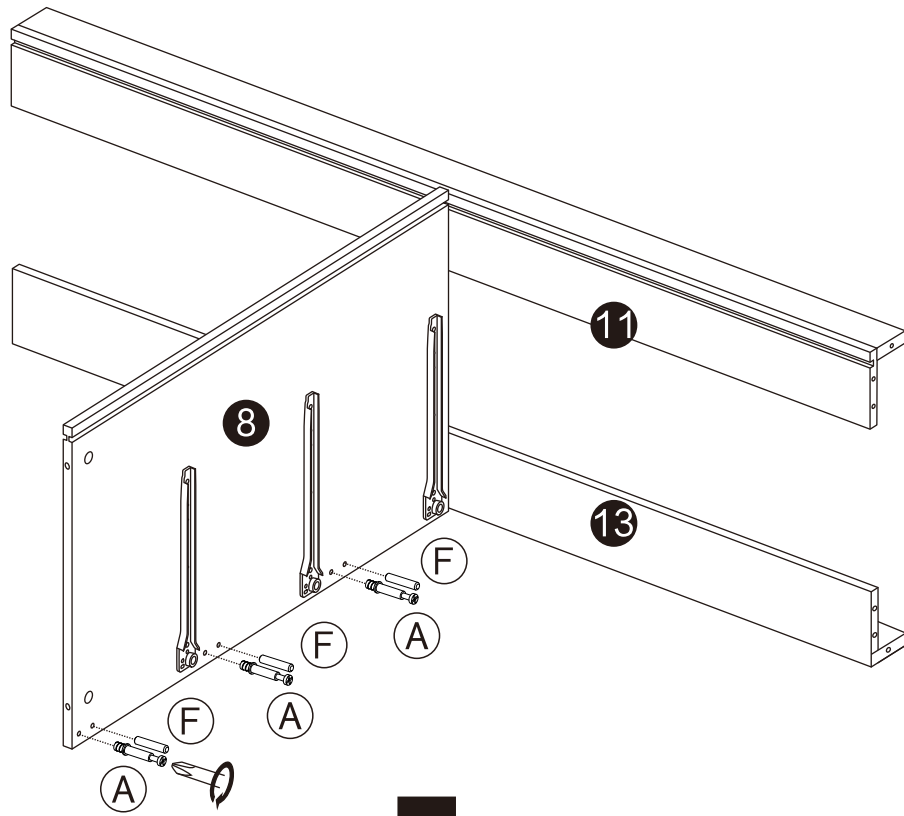
A		x4
B		x4

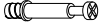




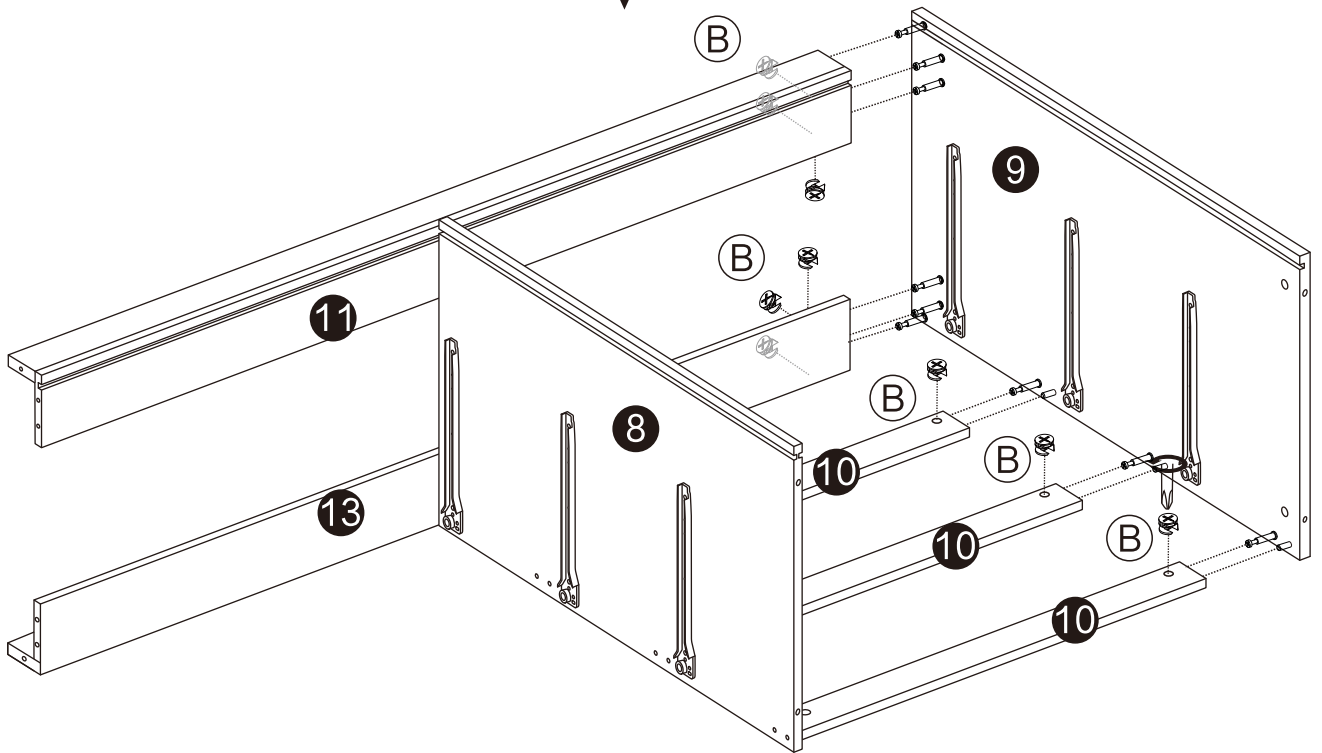
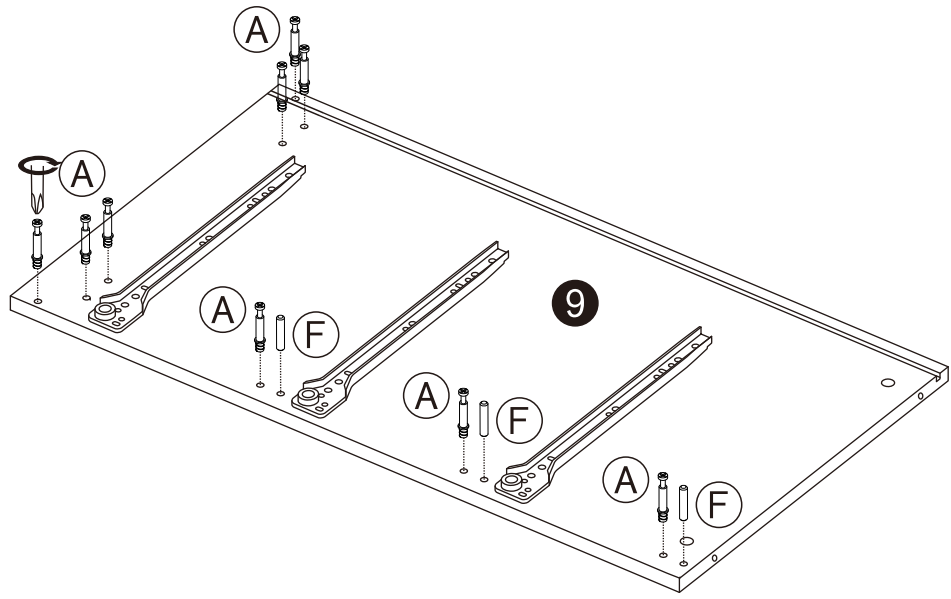
A		x4
B		x4

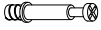




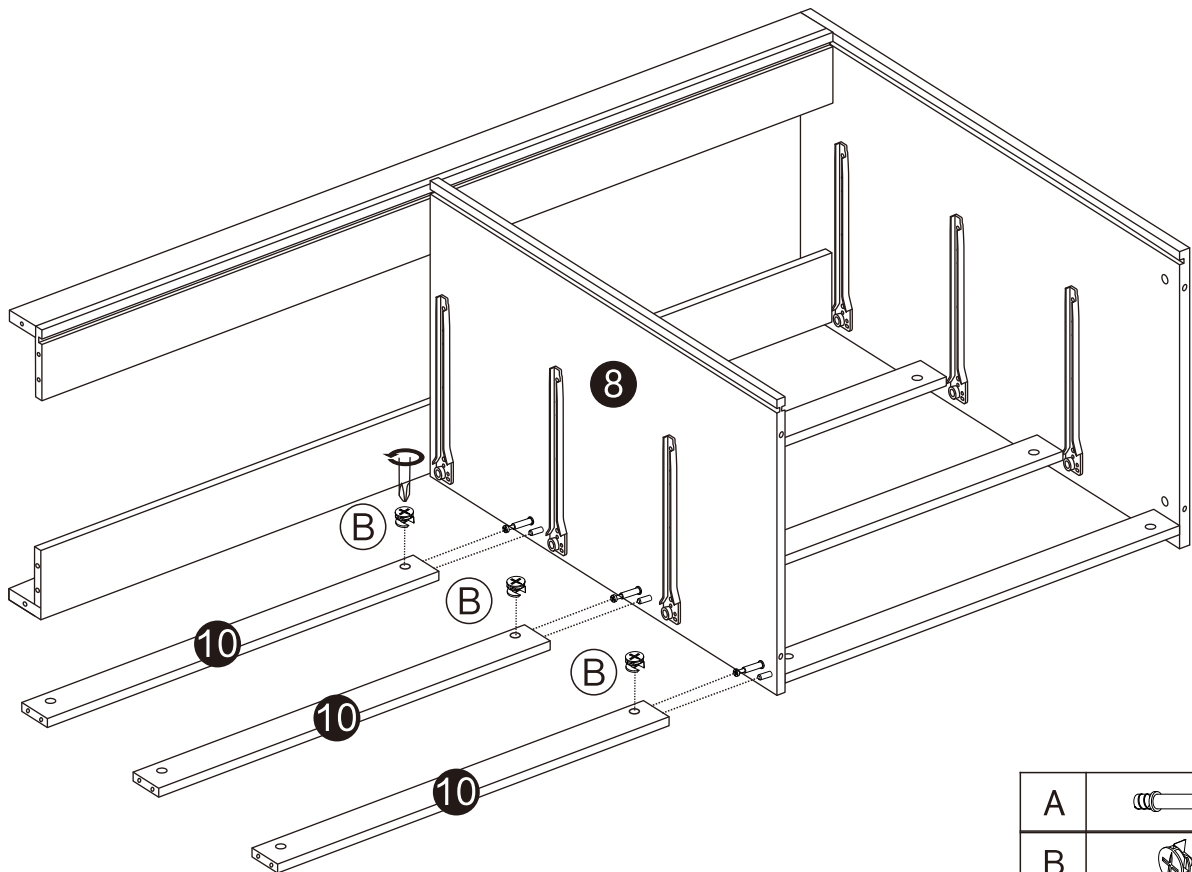
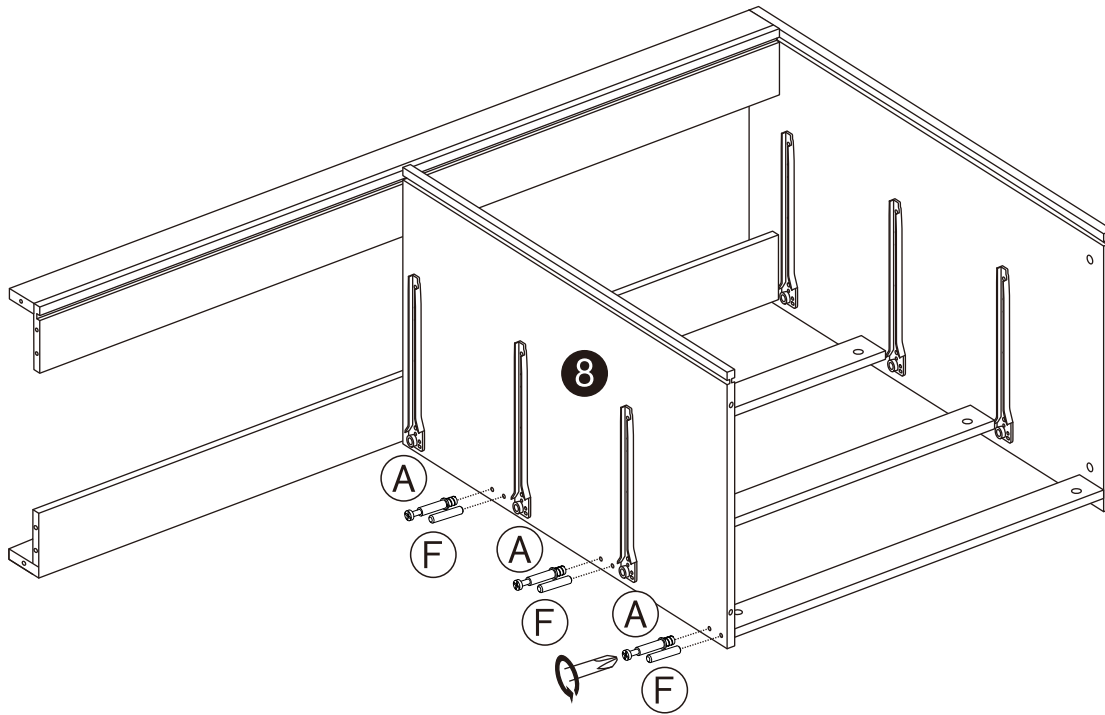
D		x4
---	---	----

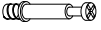




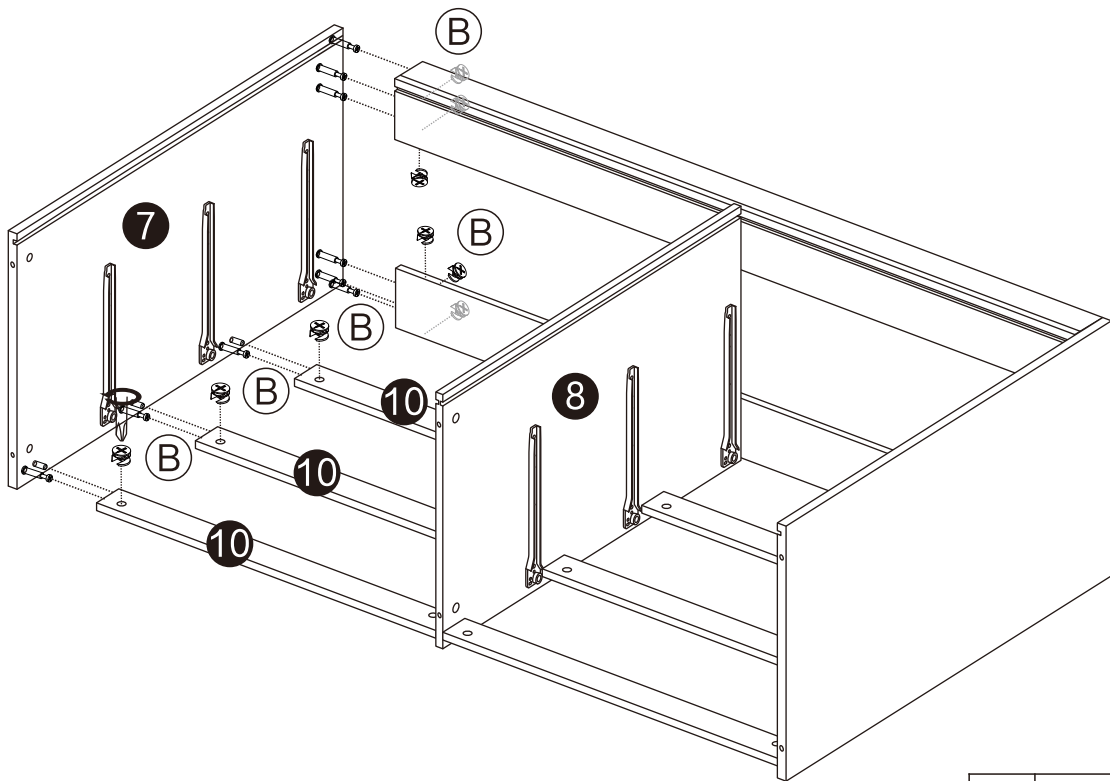
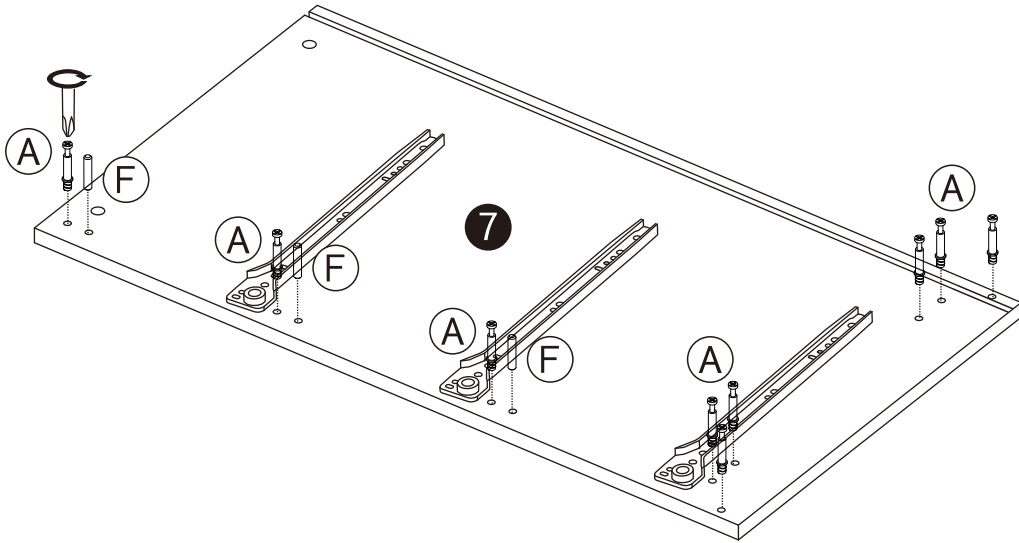
A		x3
B		x3
F		x3






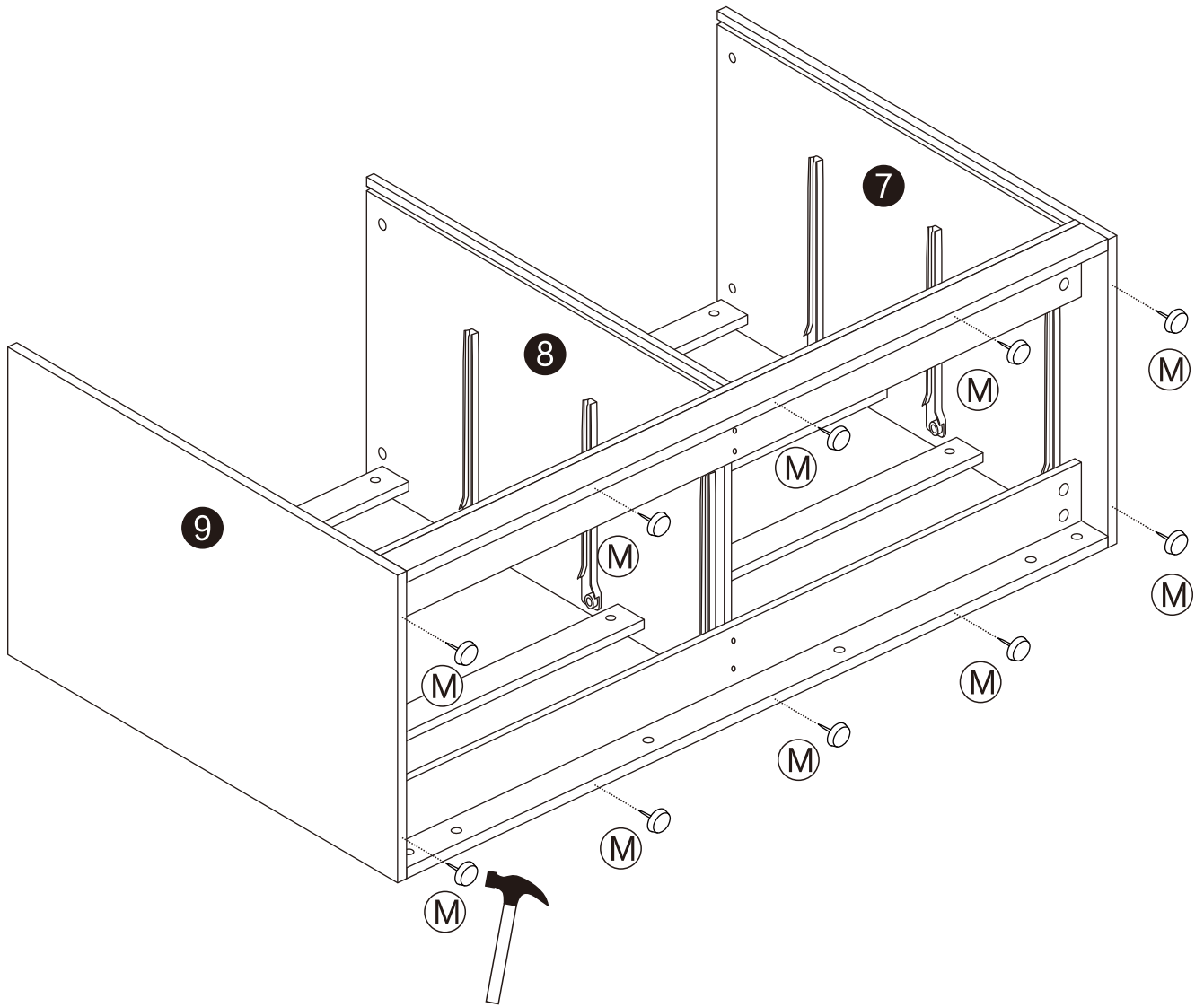
A		x9
B		x9
F		x3



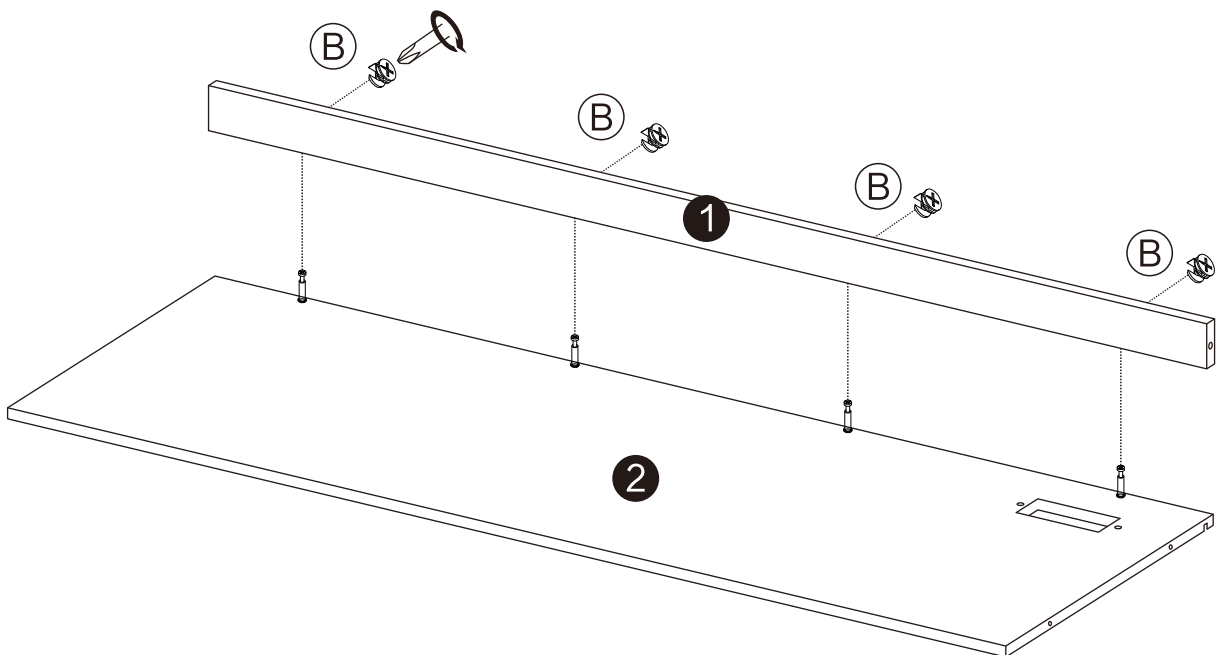
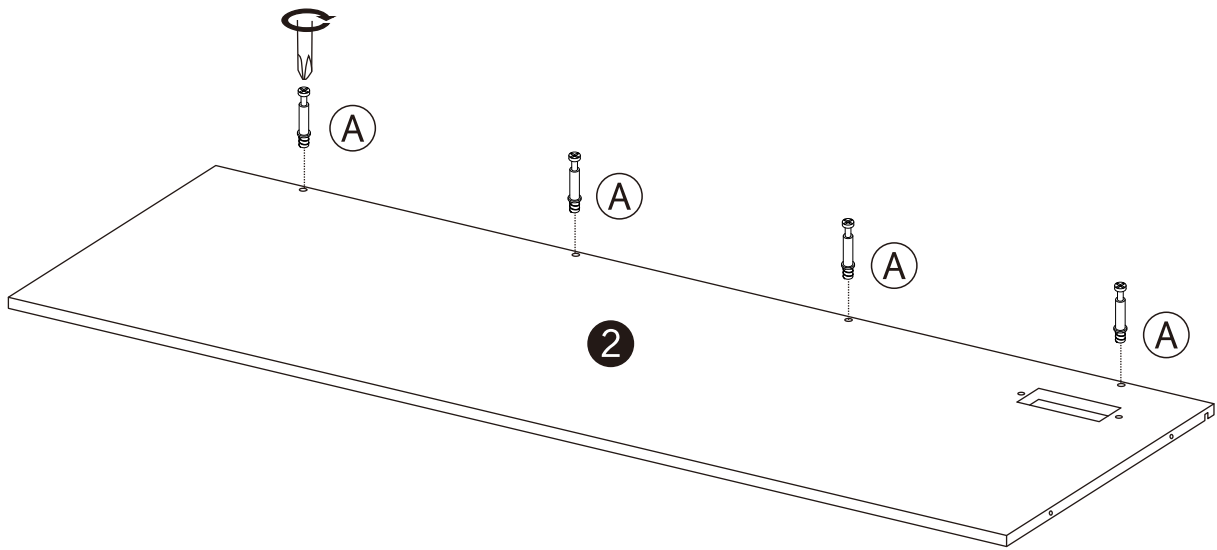
A		x3
B		x3
F		x3

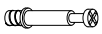



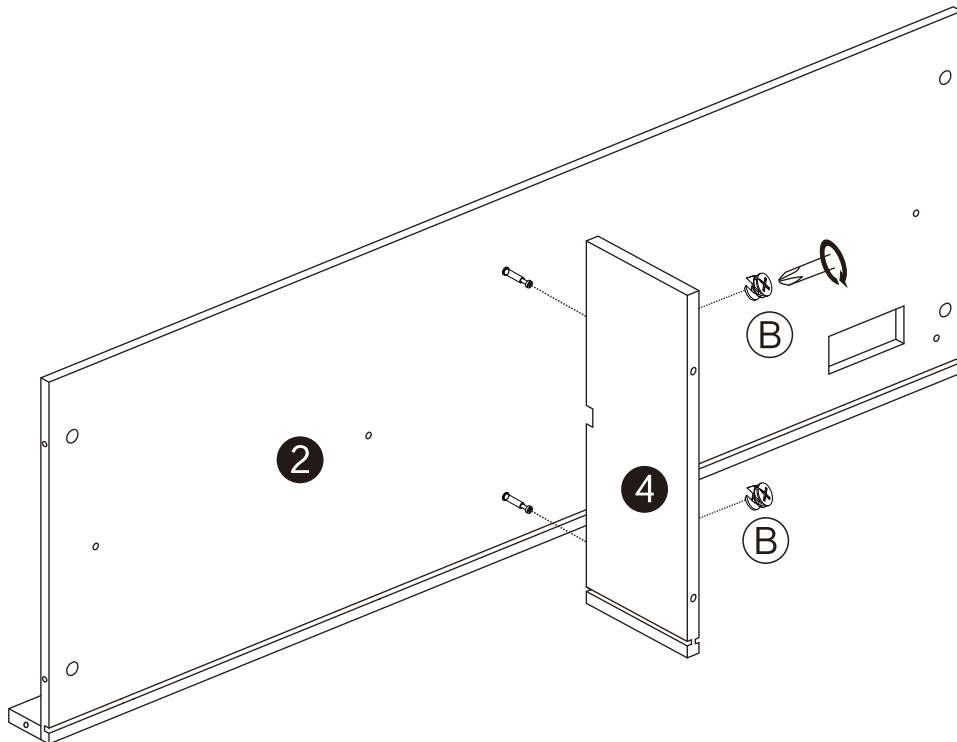
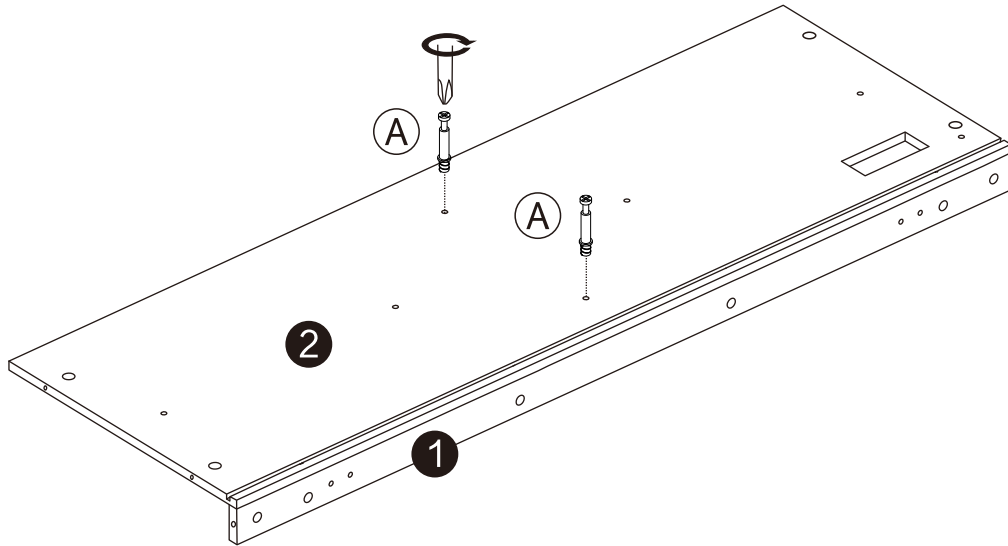
A		x9
B		x9
F		x3

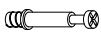



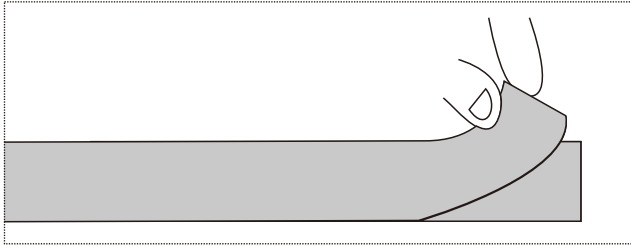
M		x10
---	---	-----



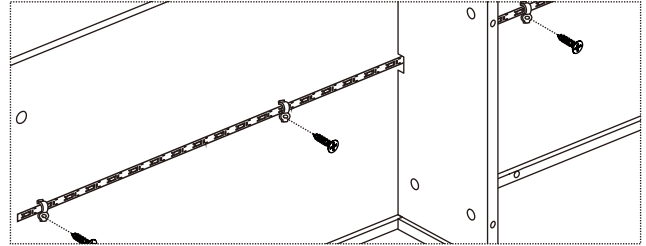
A		x4
B		x4



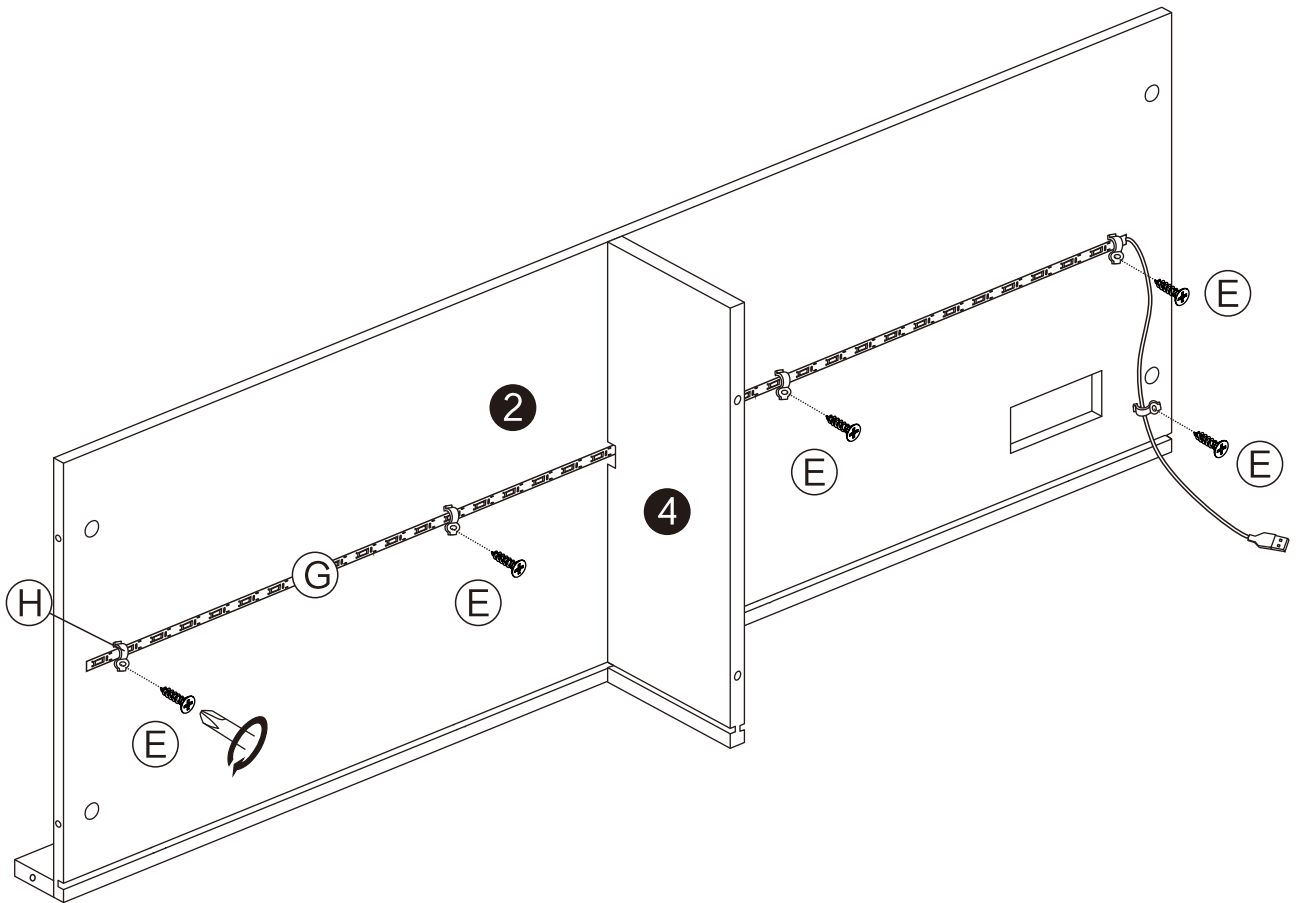
A		x2
B		x2



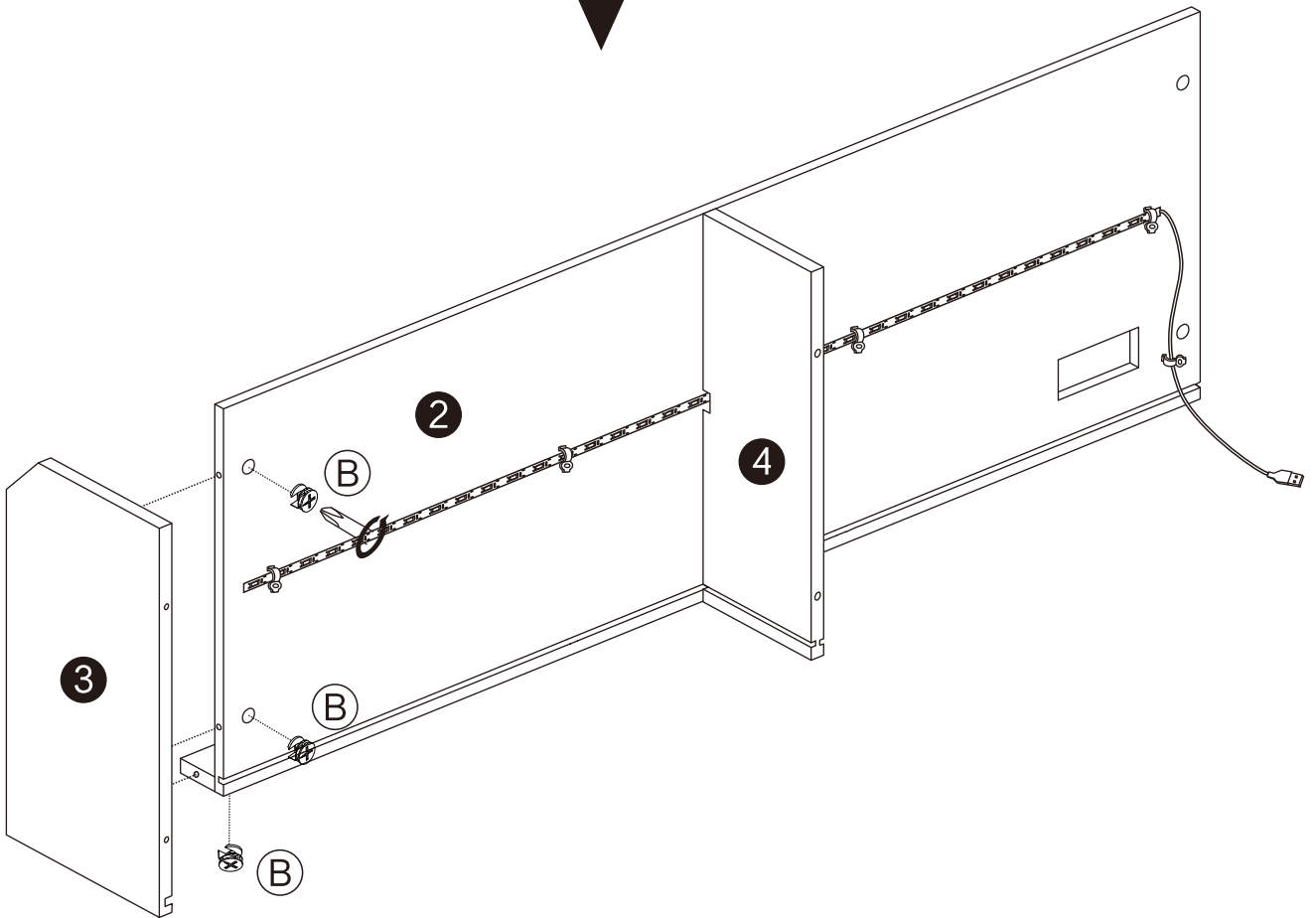
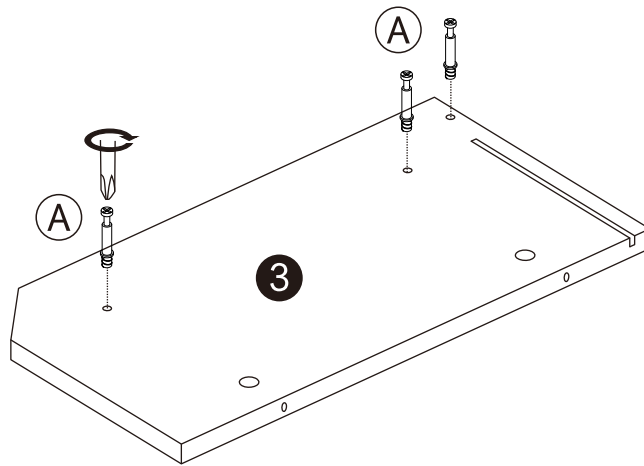
1: Remove the adhesive paper from the back.

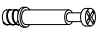



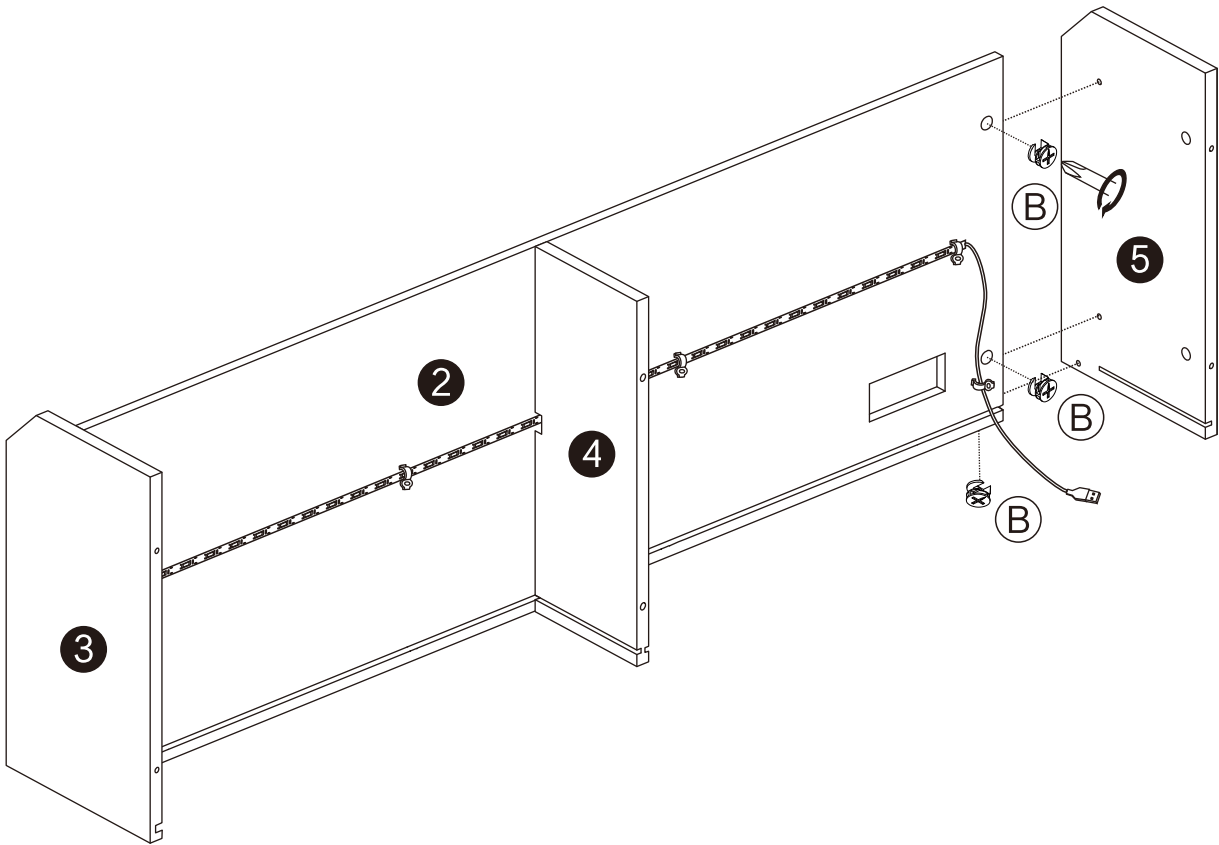
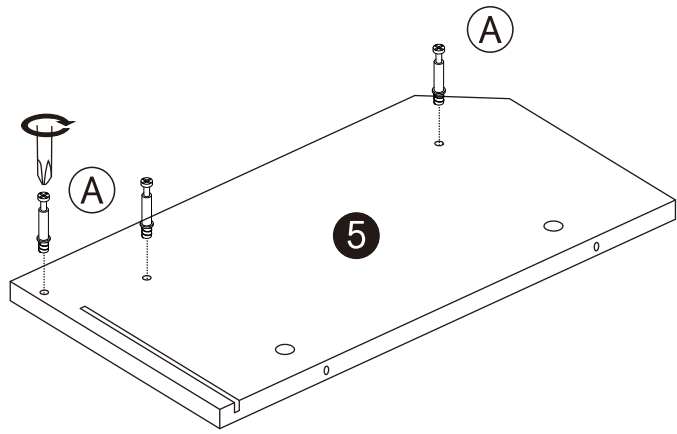
2: Fix the light strip with clips.

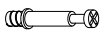



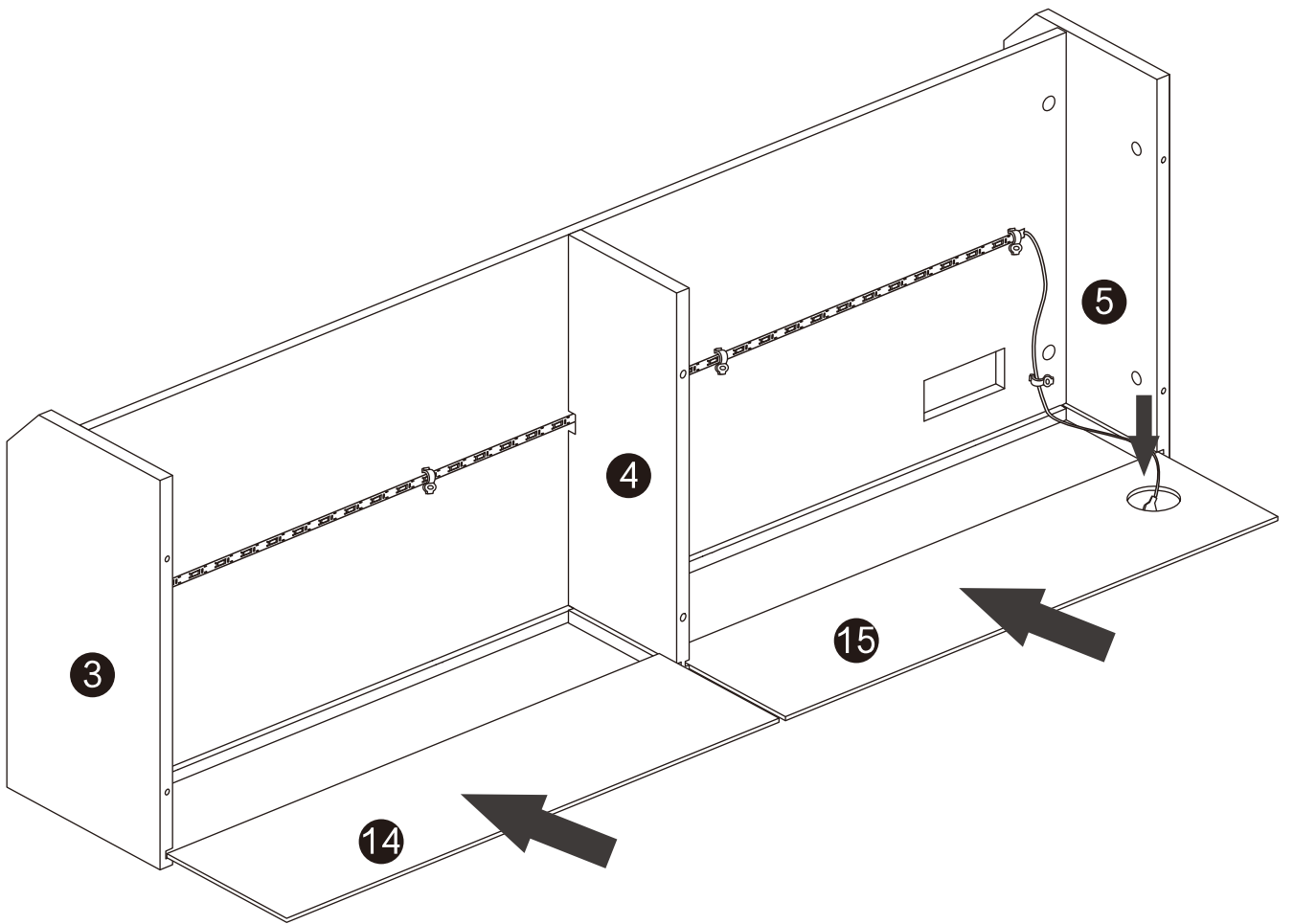
E		x5
G		x1
H		x5

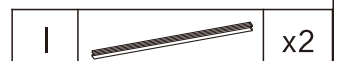
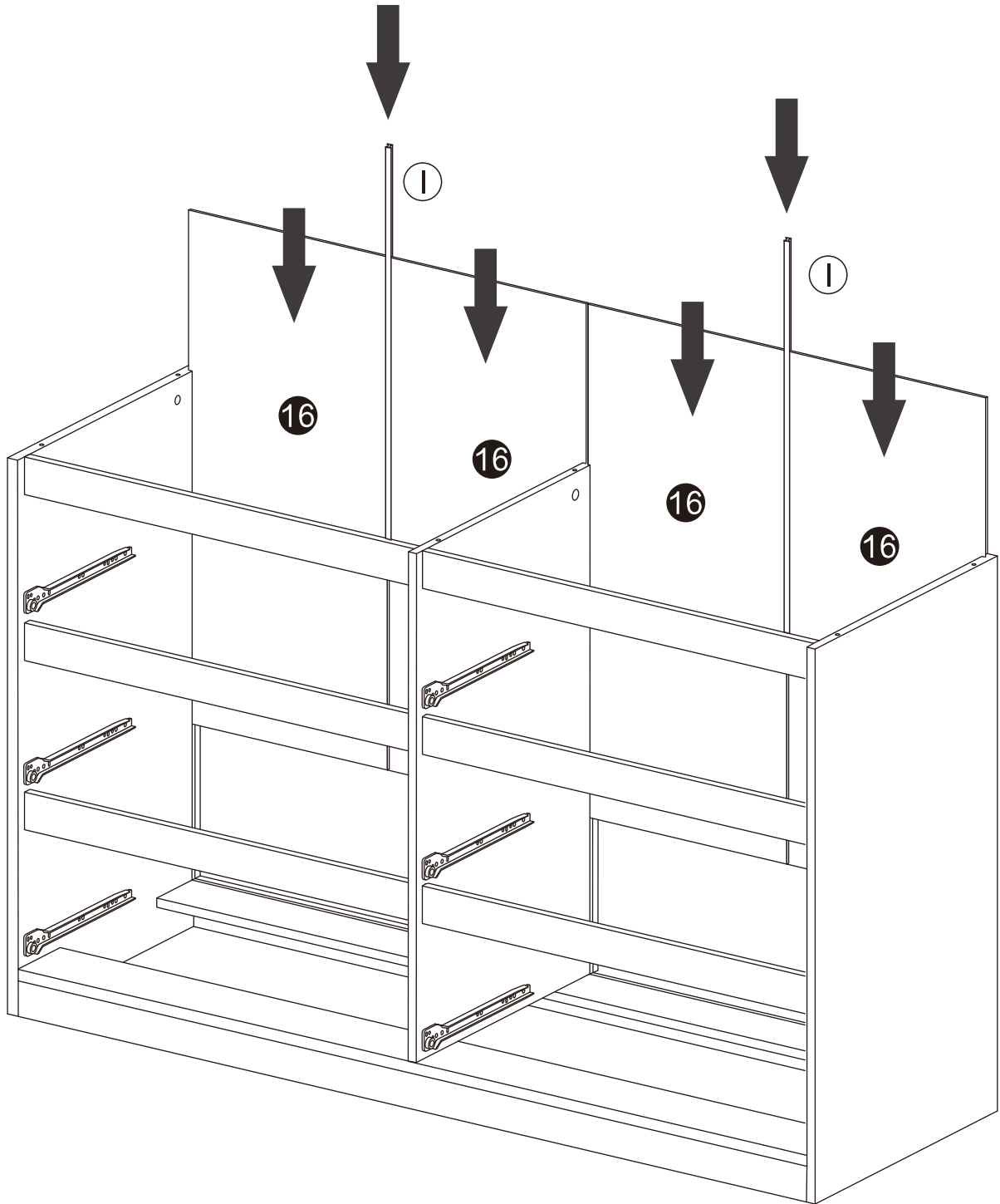


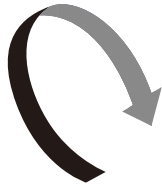
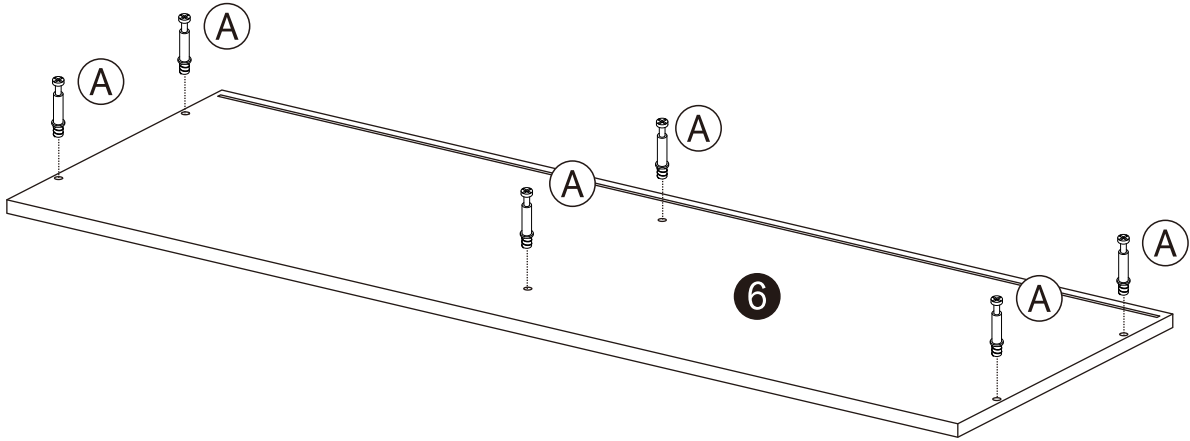
A		x3
B		x3



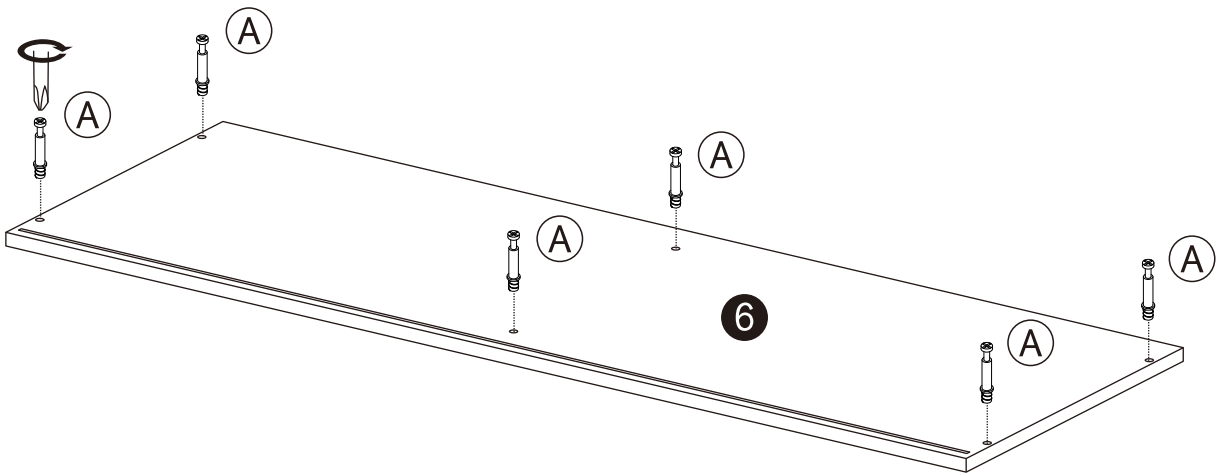
A		x3
B		x3

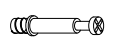


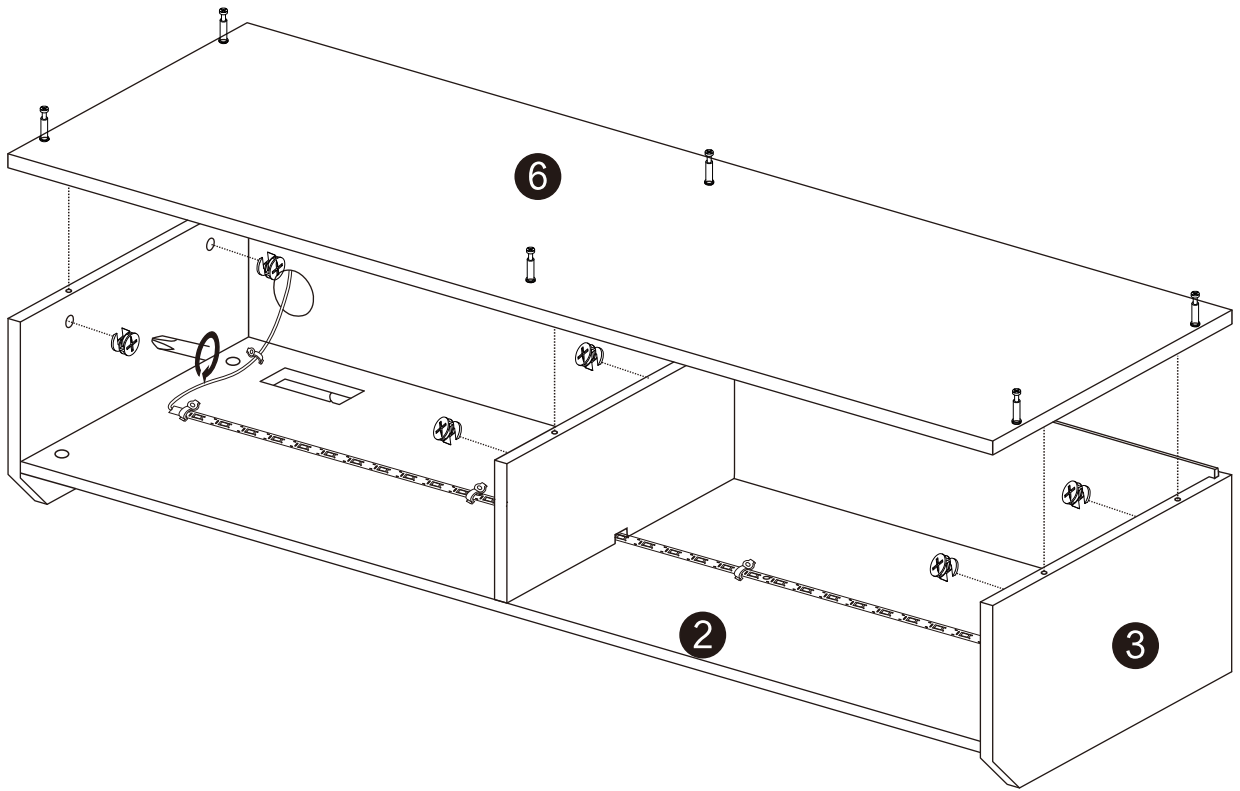


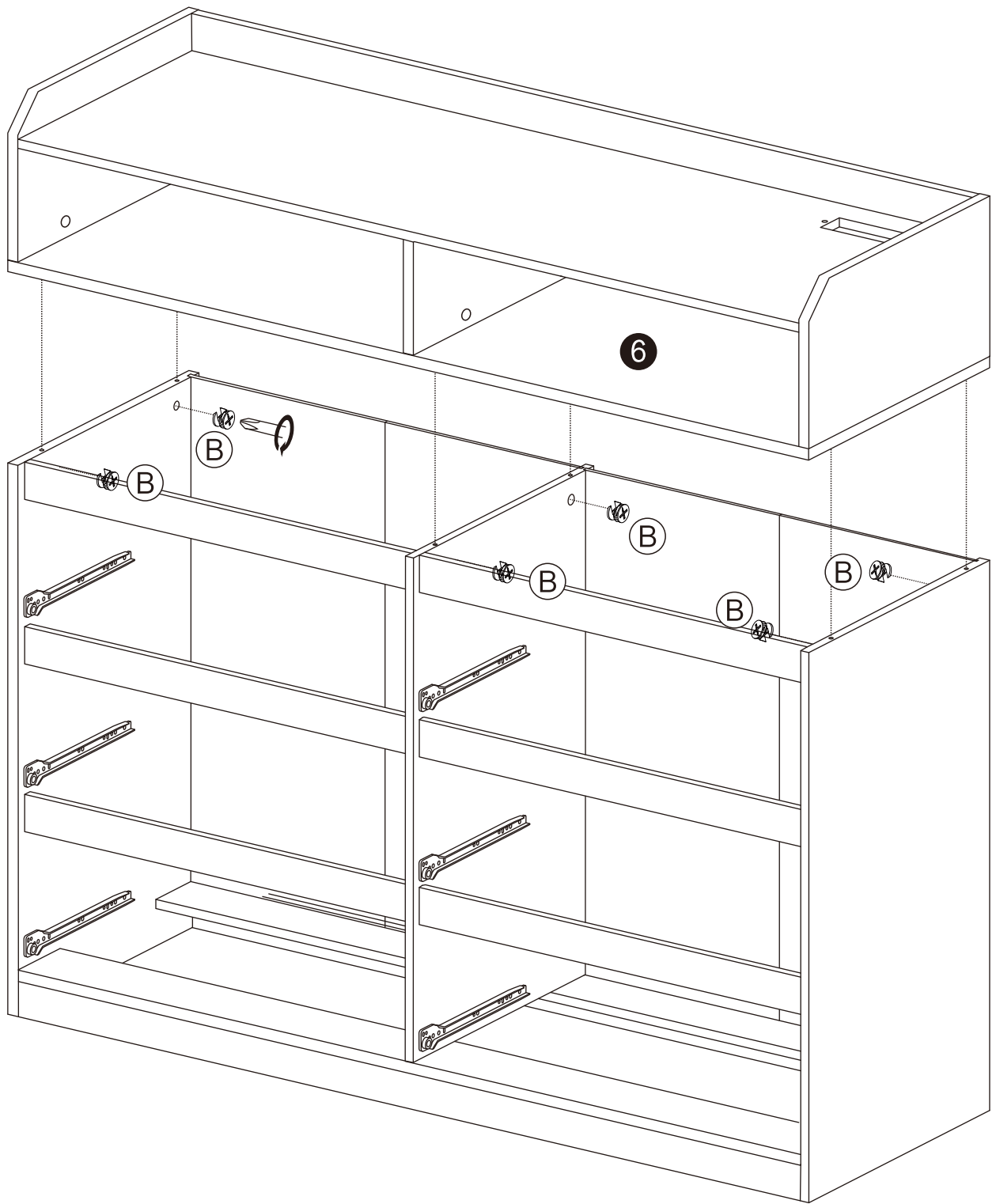


flip over

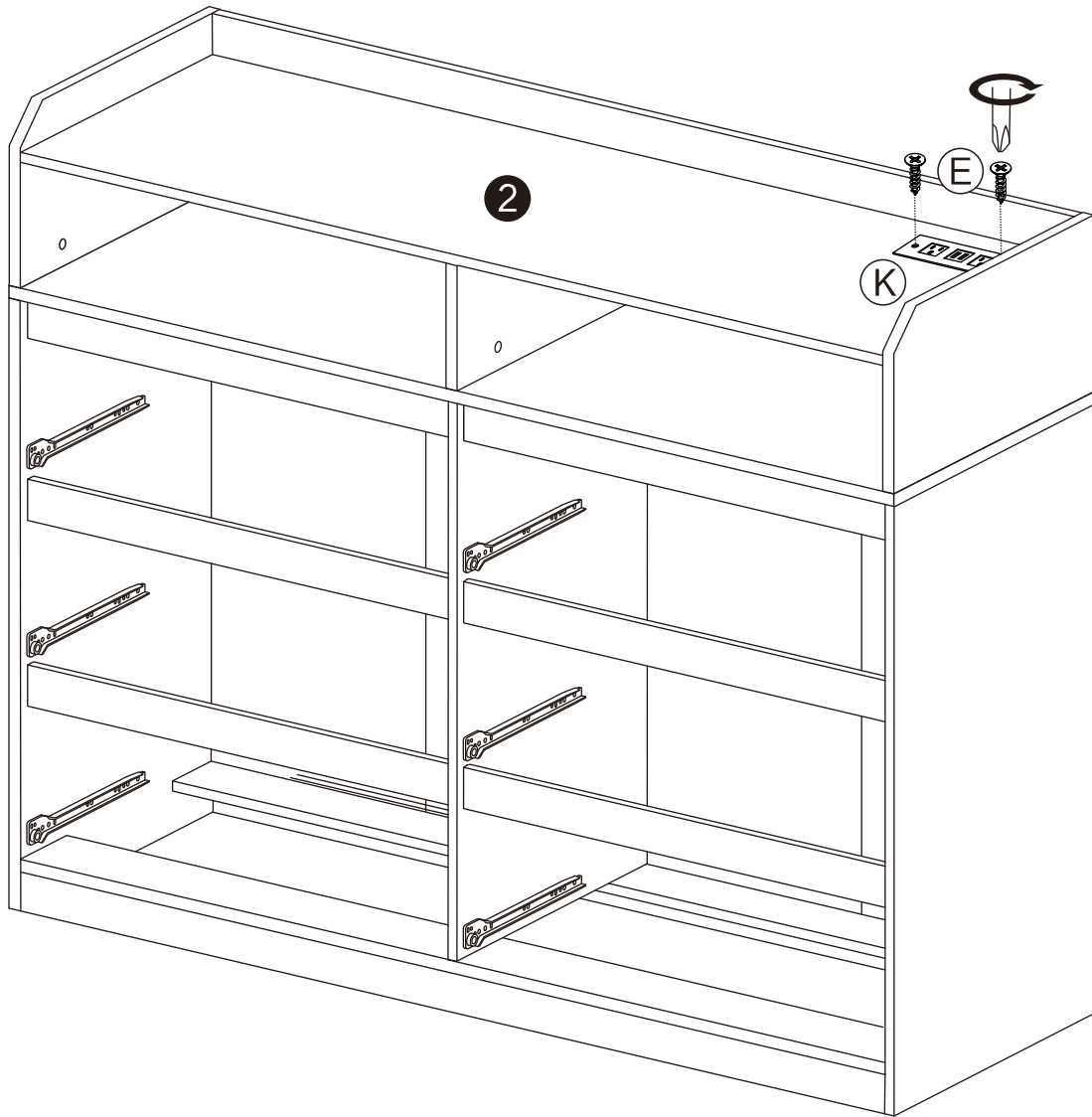
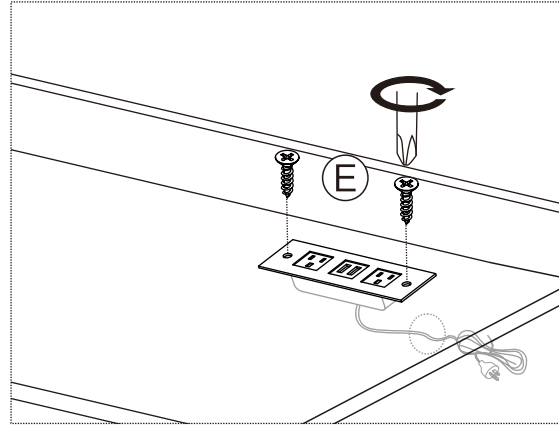
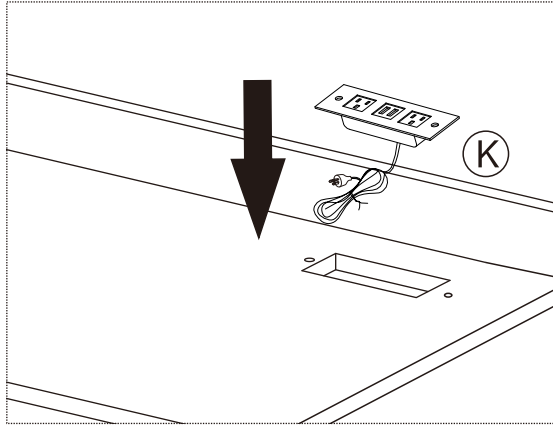




A		x12
---	---	-----

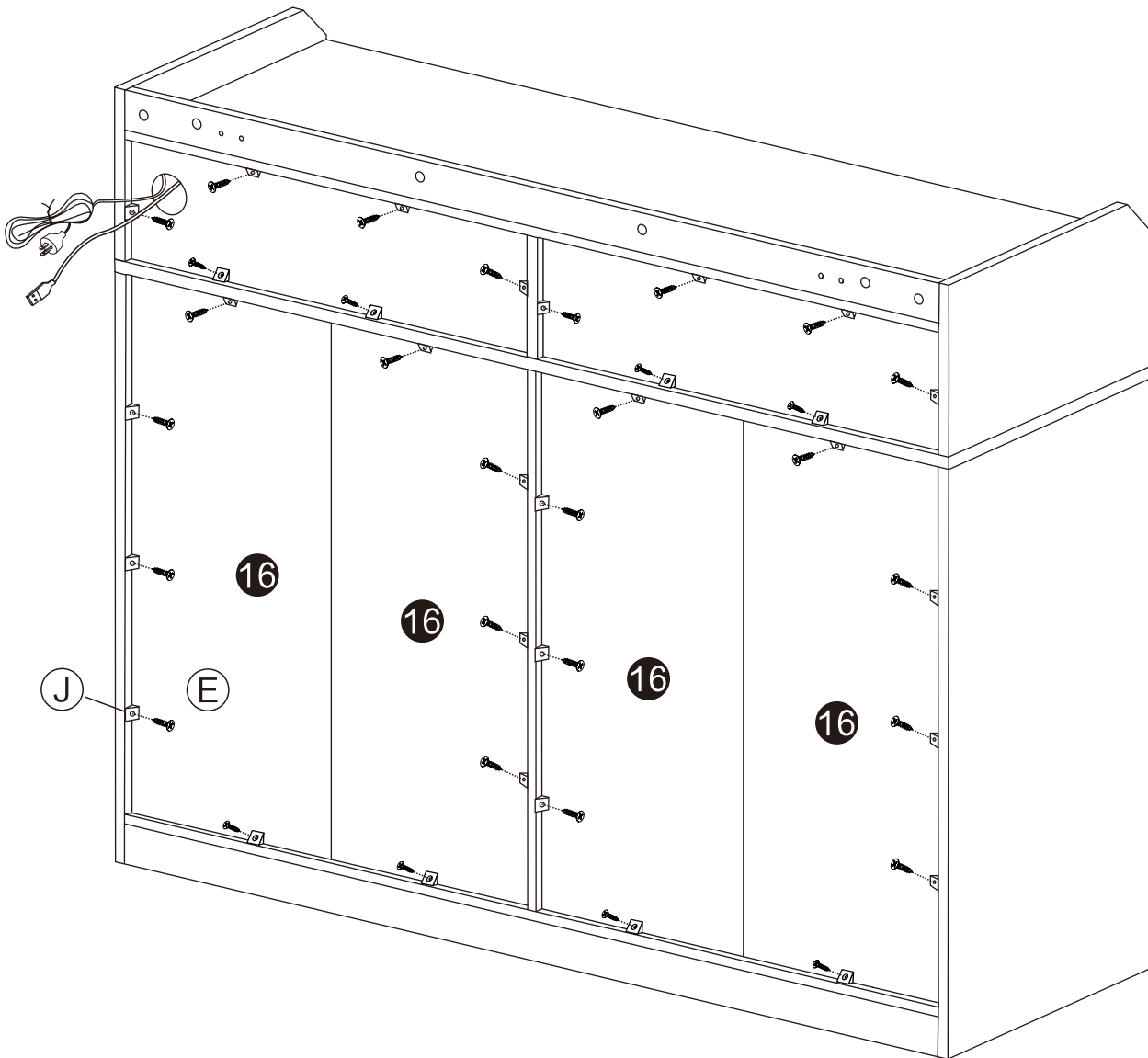






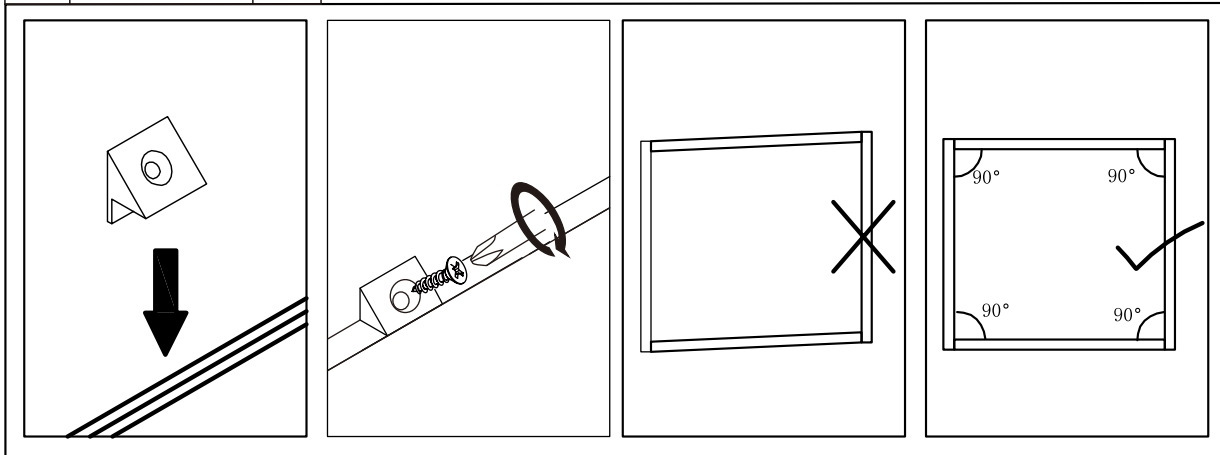
B		x6
---	---	----

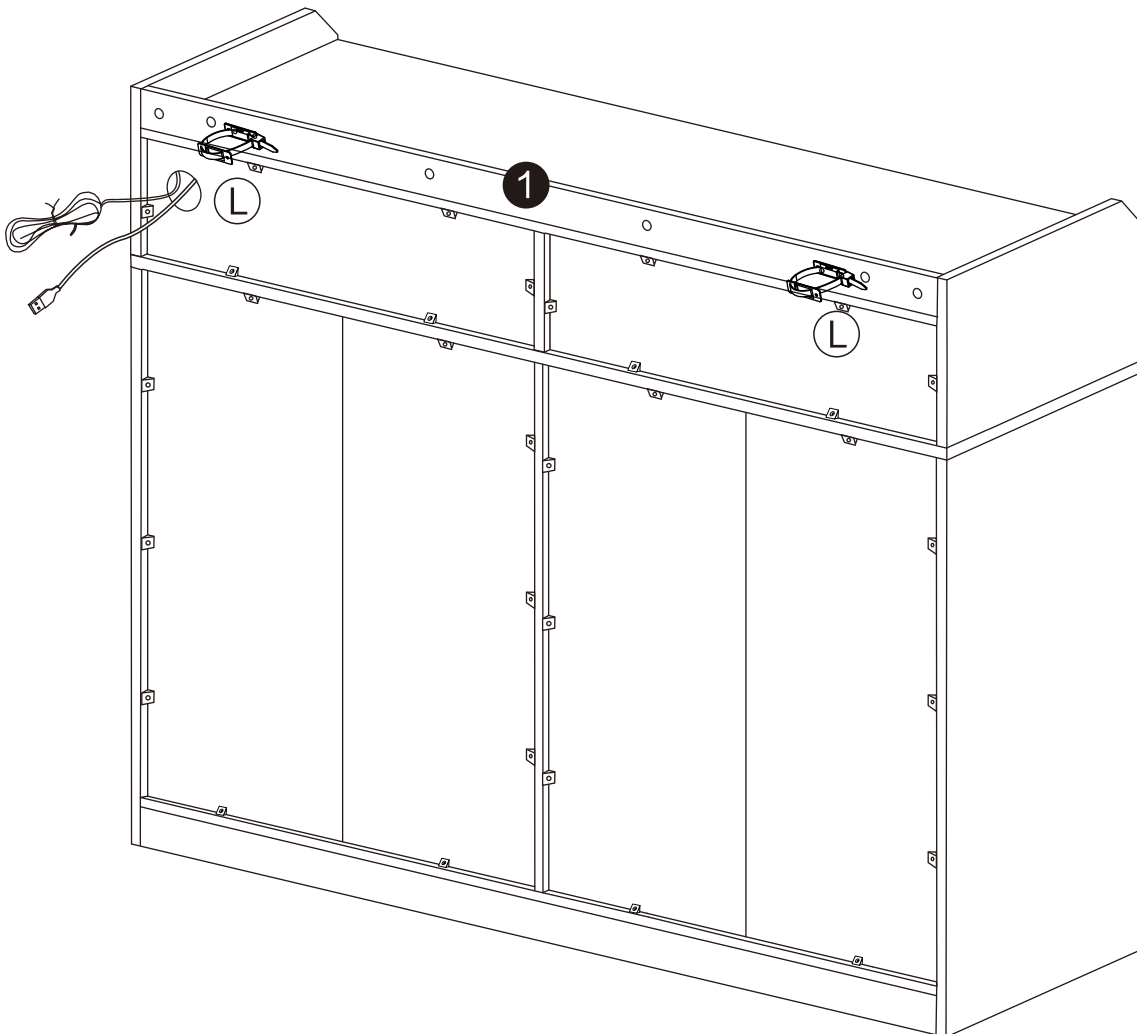
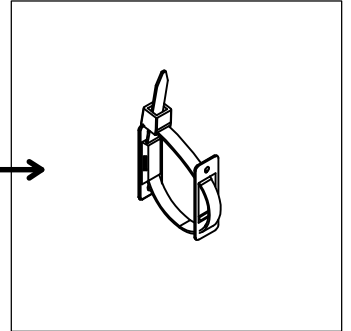
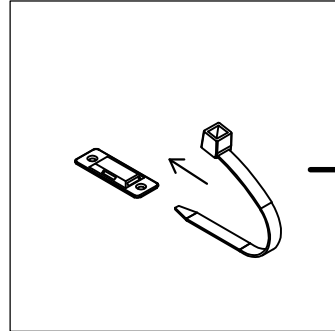
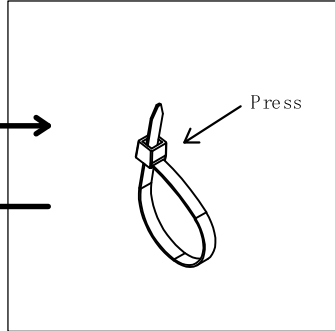
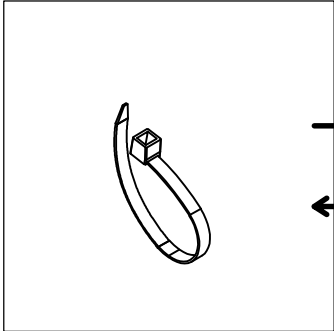
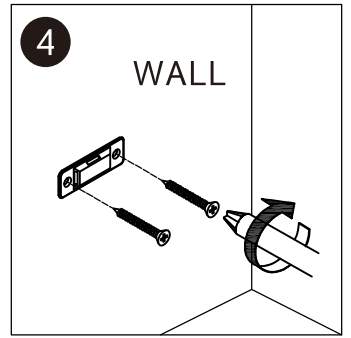
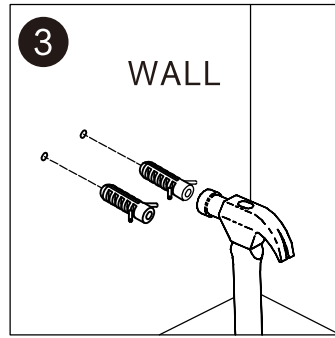
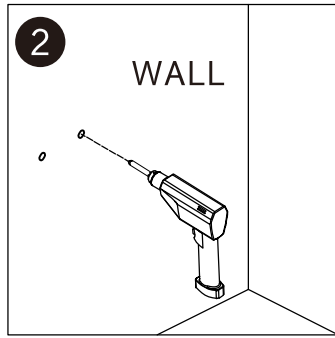
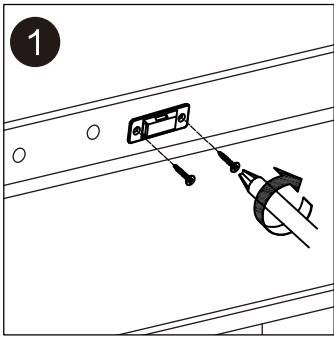


E		x2
K		x1

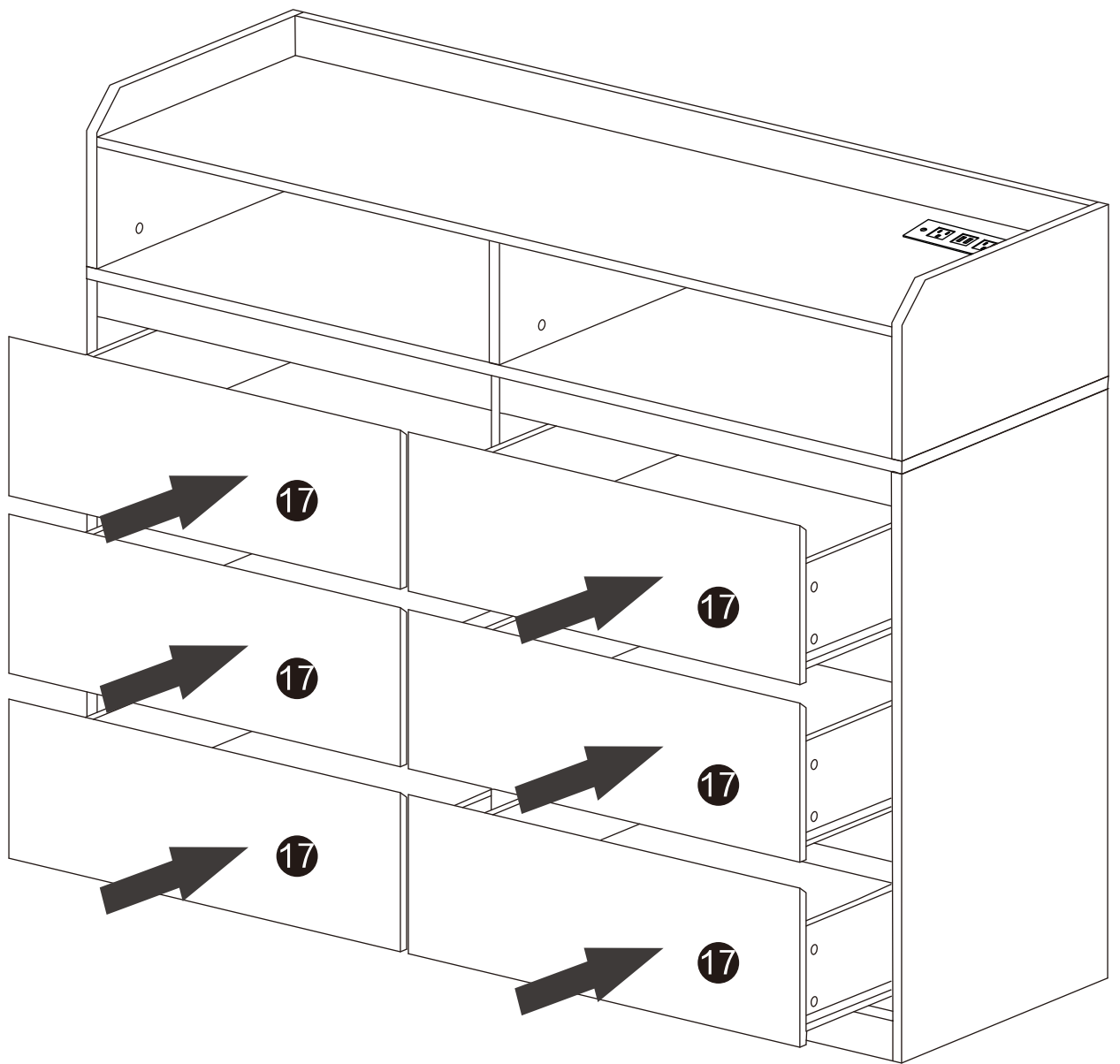
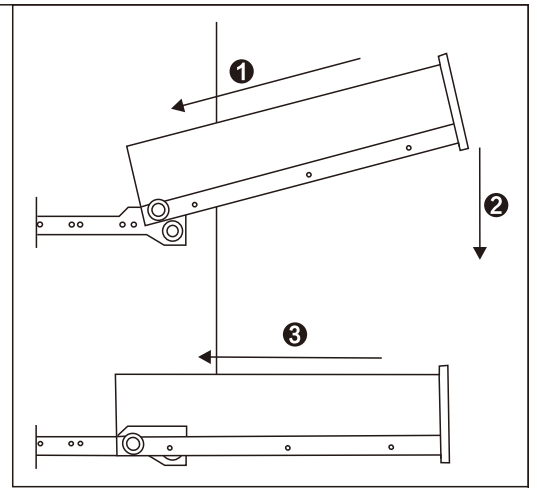
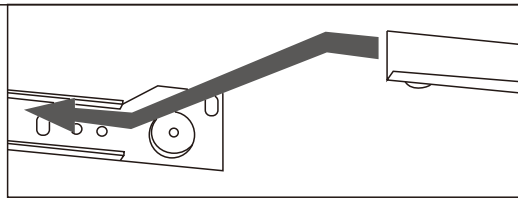


E		x32
J		x32

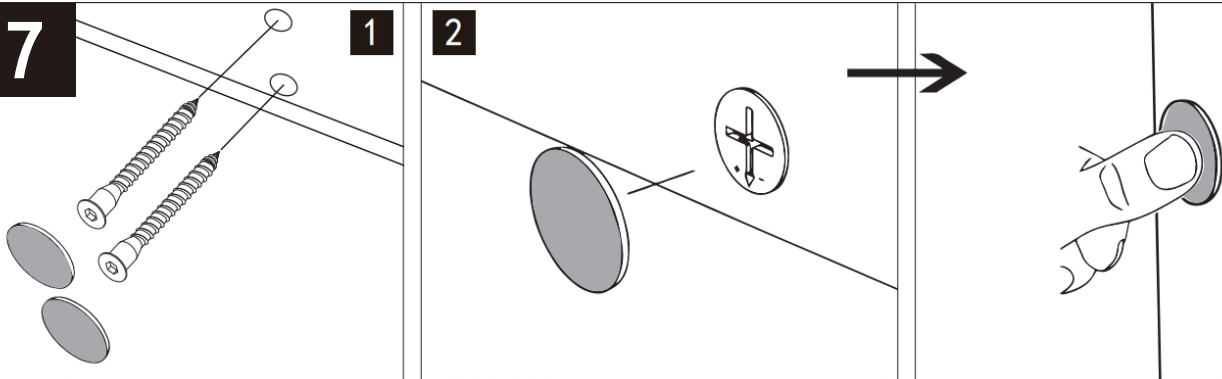




L		x2
---	--	----




27



Add N fittings to all exposed holes on the front of the product



N		x10
---	---	-----