

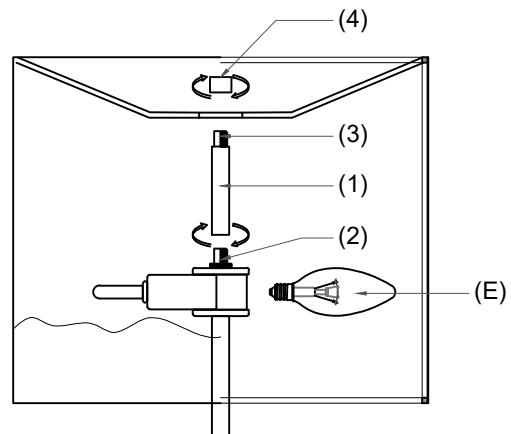
Assembly Instruction Diagram

STARTS HERE

1. Find a clear area in which you can work.
2. Unpack fixture from the box.
3. Carefully review the instruction prior to assembly.

STEP 1

1. To begin, connect Stem (1) through the threaded nipple (2) by turning clock wise.
2. Next, slip metal shades (3) over the threaded nipple (3) and lock with nut (4). see Drawing 1.
3. Next, install bulb (E) and plug the fixture. make sure that the switch is off before plugging for safety purposes.



DRAWING 1

