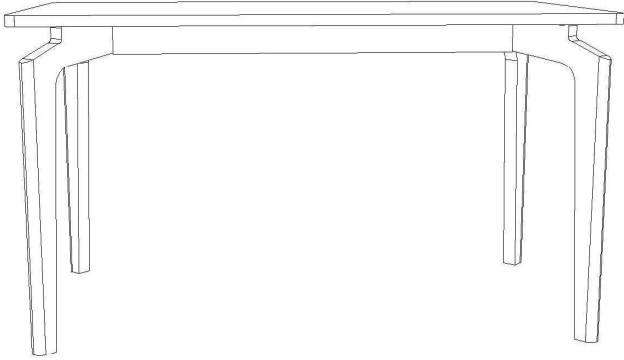


Installation & Assembly



Dining Table

1

Notice:

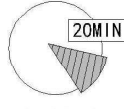
This box kit is a connecting screw kit for 1.6 meter countertops, please use this kit to install 1.6 meter countertops, the kit in the foot carton is a connecting screw accessory for 1.4 meter countertops, please scrap it.



Recommended installers: 2



Put a carpet on the floor before unpacking







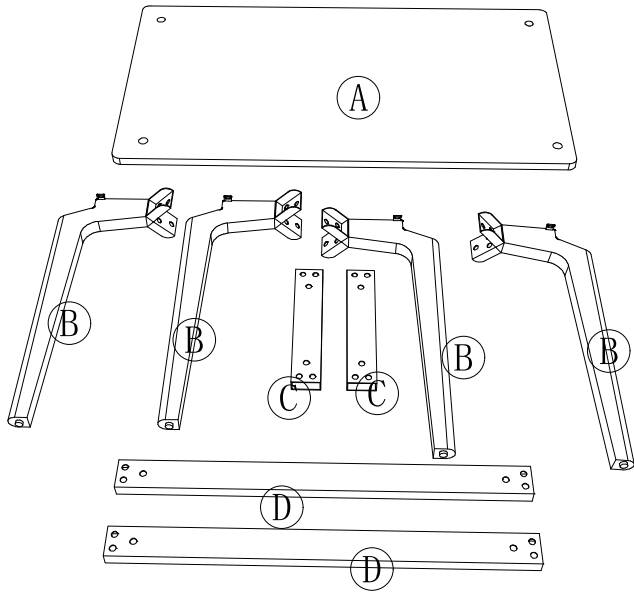
Estimate installation time: 20 minutes

Item no.	Reference Image	Qty
A		X1
B		X4
C		X2
D		X2

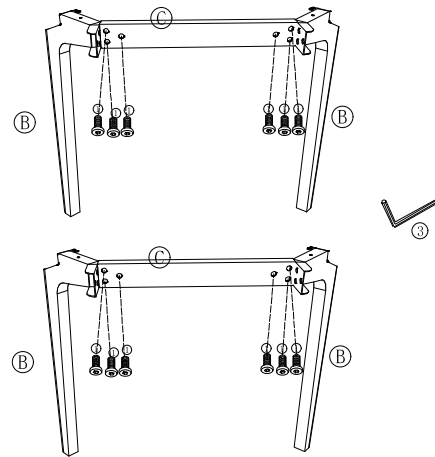
Item no.	Reference Image	Qty
1	55IN:M8*16 or 63IN:M8*10 	X29
2		X4
3		X1
4		X4

2

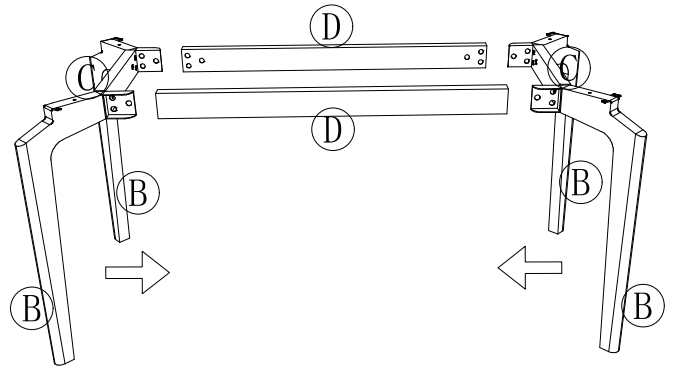
- ①  X29 ②  X4 ③  X1 ④  X4



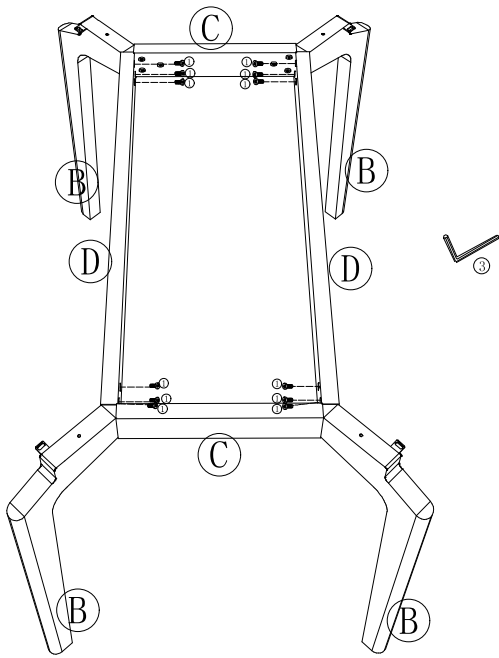
step1



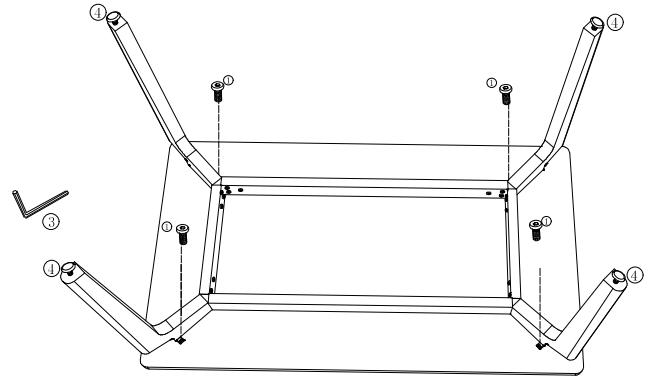
step2



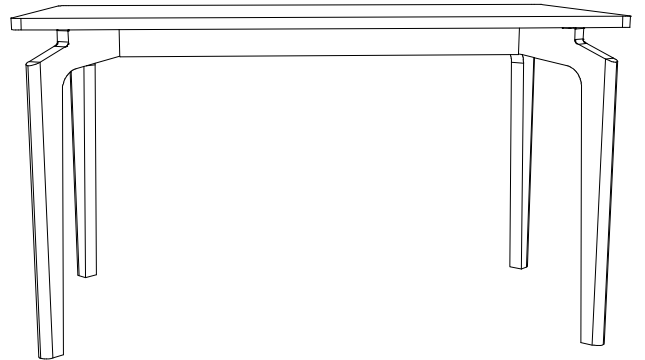
step3

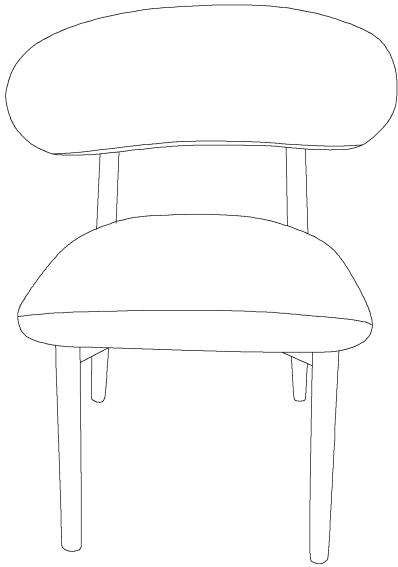


step4



Final





Notice:

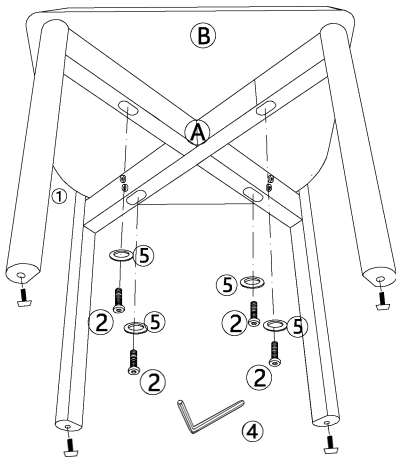
1. Follow the installation instructions. Please confirm all accessories are preset before installation.

2. Do not fully tighten the screws during initial assembly. Fully tighten screws only once all pieces which are correctly assembled.

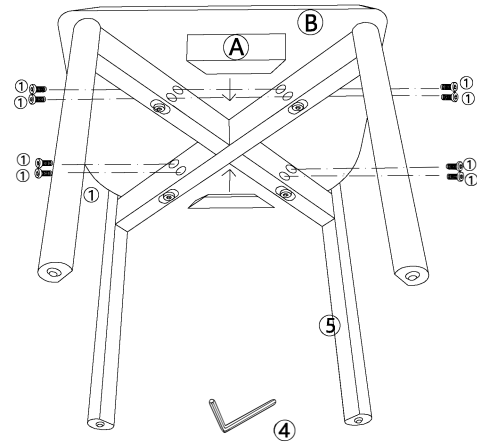
3. If you encounter any problems during installation, please contact our customer service.

	Reference Image	Qty
(A)		x1
(B)		x1
(C)		x1

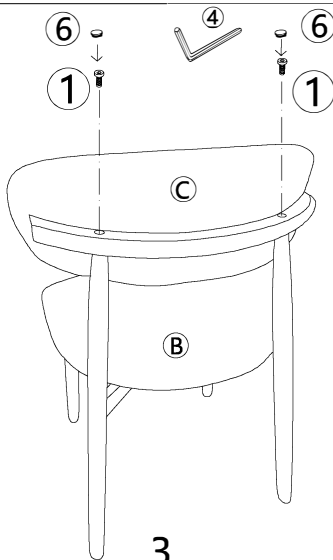
	Reference Image	Qty
(1)		x10
(2)		x5
(3)		x4
(4)		x1
(5)		x4
(6)		x2



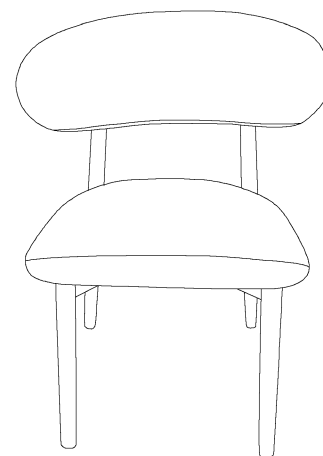
1



2



3



4