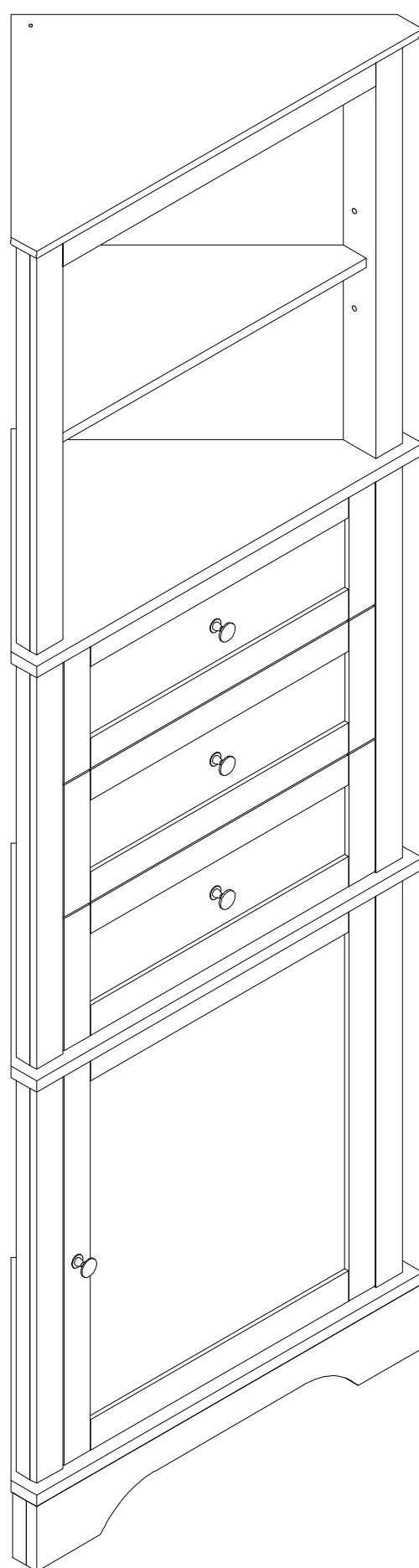
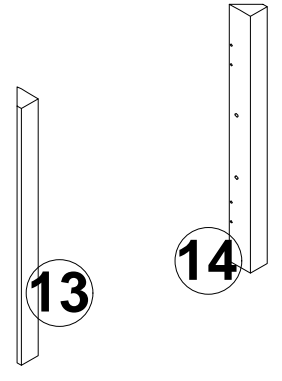
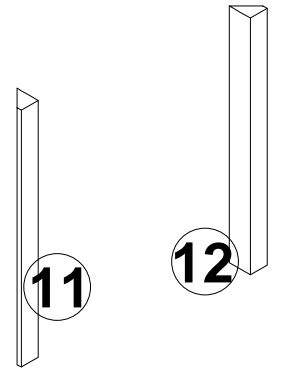
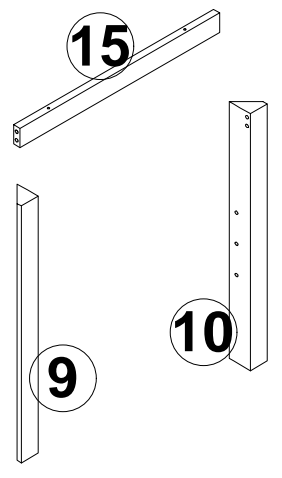
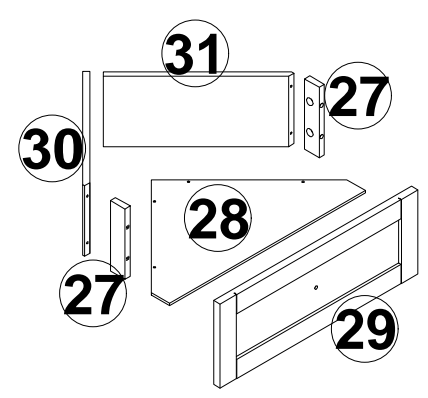
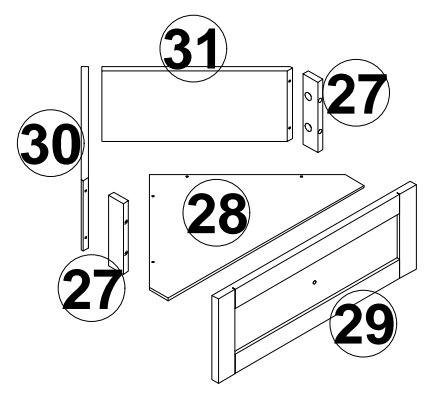
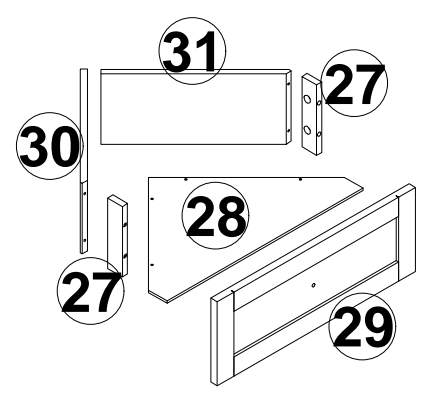
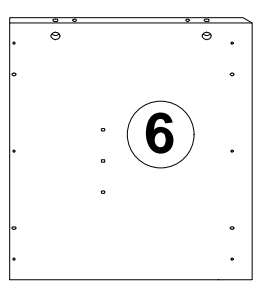
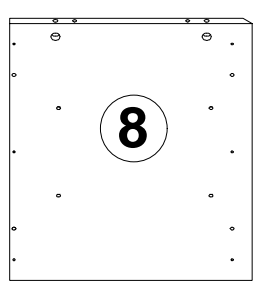
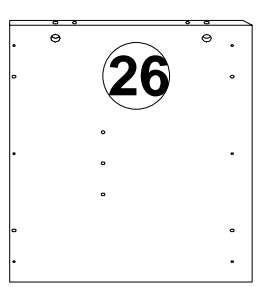
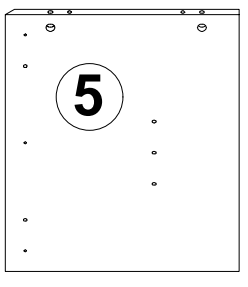
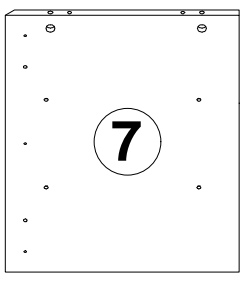
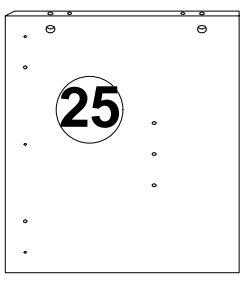
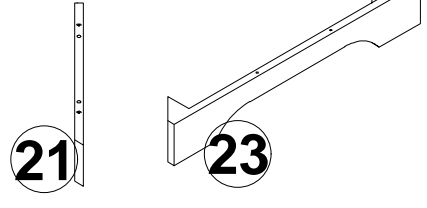
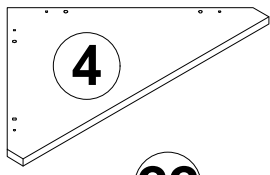
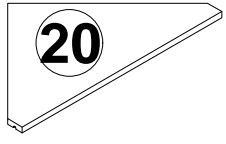
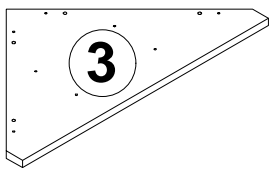
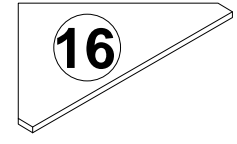
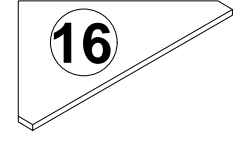
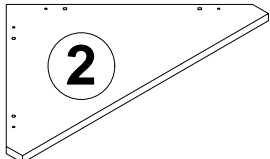
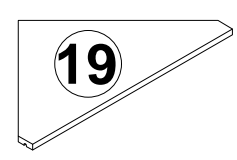
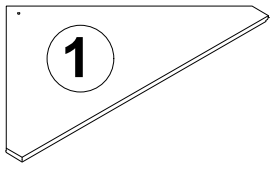
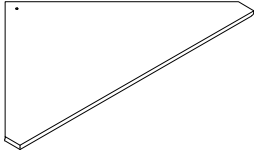
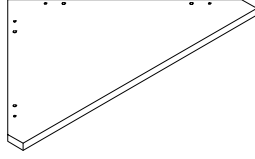
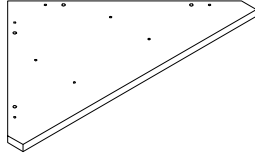
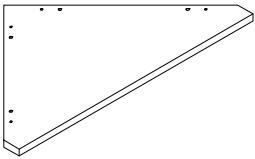
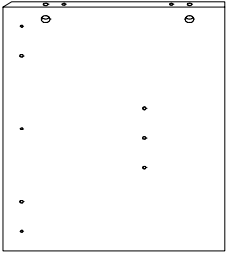
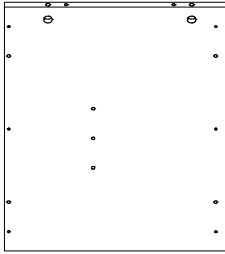
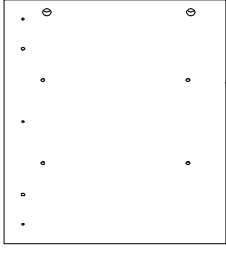
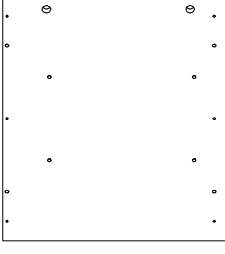





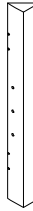
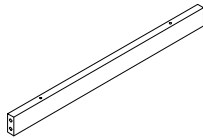
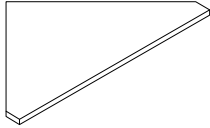
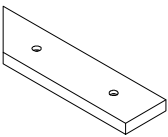
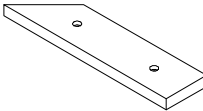
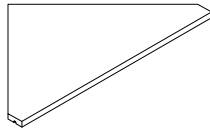
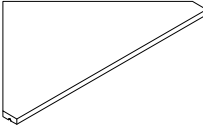

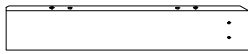
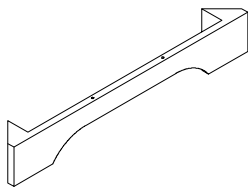
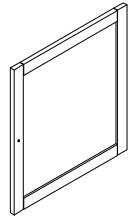
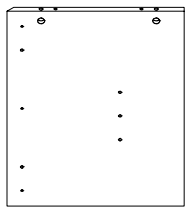
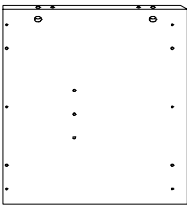

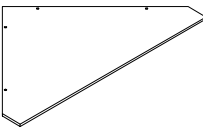
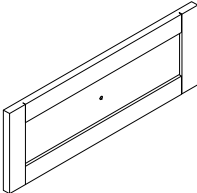

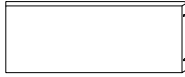
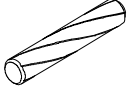
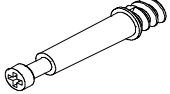

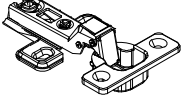
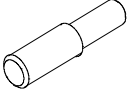
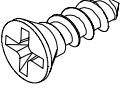
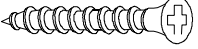

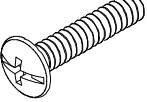

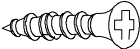
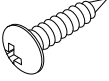
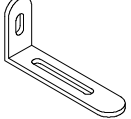
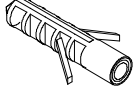
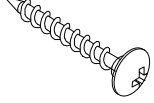
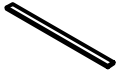


ASSEMBLY INSRTRUCTION

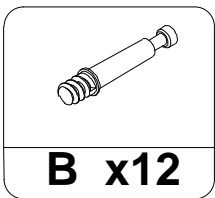
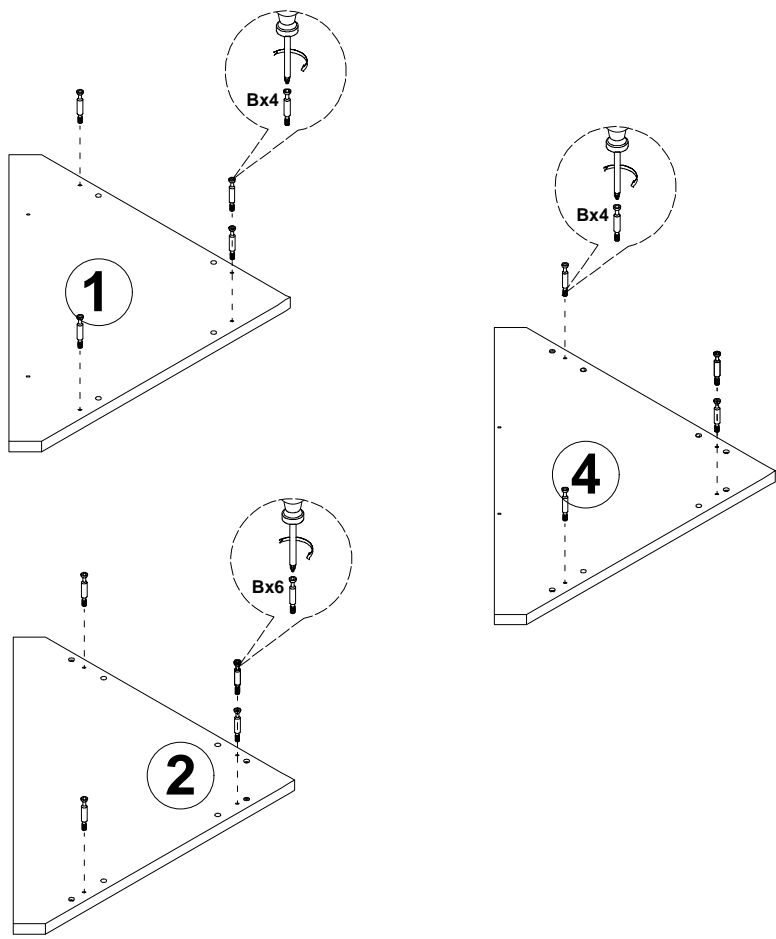




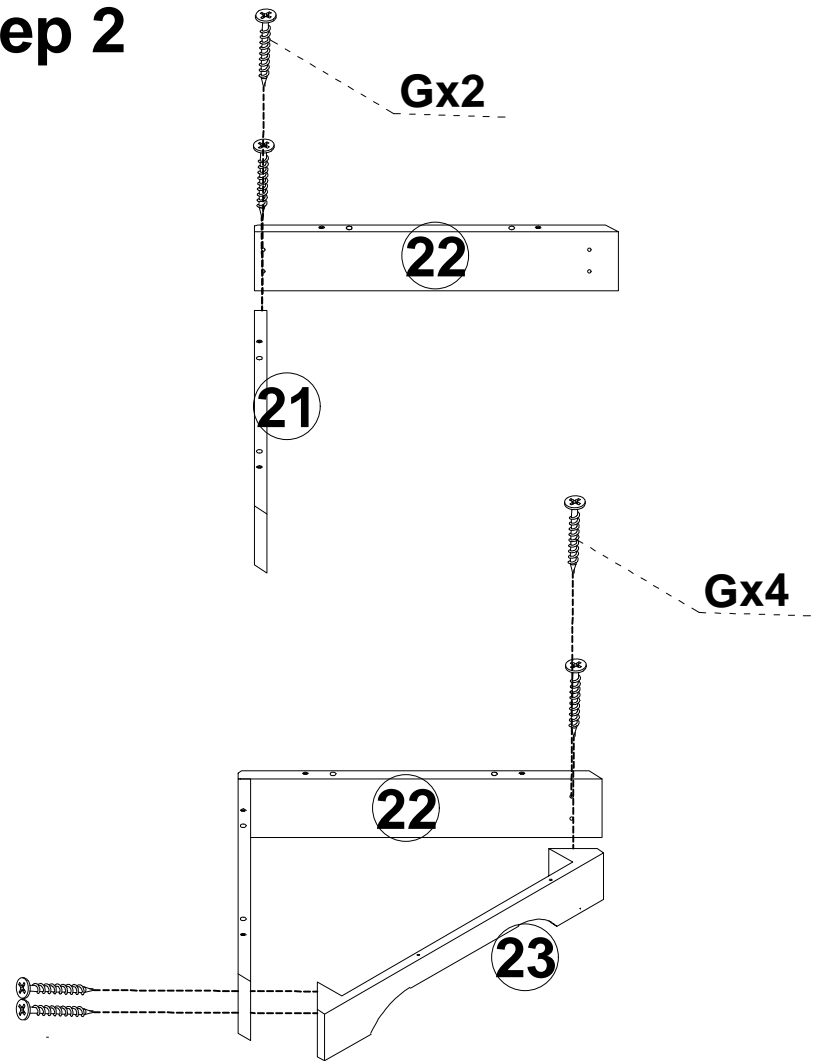
| | | | |
|---|---|---|---|
|  |  |  |  |
| ① x 1 | ② x 1 | ③ x 1 | ④ x 1 |
|  |  |  |  |
| ⑤ x 1 | ⑥ x 1 | ⑦ x 1 | ⑧ x 1 |
|  |  |  |  |
| ⑨ x 1 | ⑩ x 1 | ⑪ x 1 | ⑫ x 1 |
|  |  |  |  |
| ⑬ x 1 | ⑭ x 1 | ⑮ x 1 | ⑯ x 2 |
|  |  |  |  |
| ⑰ x 1 | ⑱ x 1 | ⑲ x 1 | ⑳ x 1 |
|  |  |  |  |
| ㉑ x 1 | ㉒ x 1 | ㉓ x 1 | ㉔ x 1 |
|  |  |  |  |
| ㉕ x 1 | ㉖ x 1 | ㉗ x 6 | ㉘ x 3 |
|  |  |  | |
| ㉙ x 3 | ㉚ x 3 | ㉛ x 3 | |

| | | | | | |
|---|---|---|---|---|---|
|  |  |  |  |  |  |
| Φ6x30mm A x 60+3 | B x 28+2 | C x 28+2 | D x2 | E x8+1 | Φ4x15mm F x8+1 |
|  |  |  |  |  |  |
| Φ4x35mm G x64+3 | Hx3 | Φ4x16mm I x4 | J x4 | Φ4x25mm K x16+1 | Φ4x12mm L x1 |
|  |  |  |  | | |
| M x1 | N x1 | Φ4x45mm O x4 | P x6 | | |

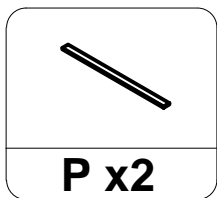
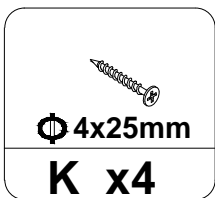
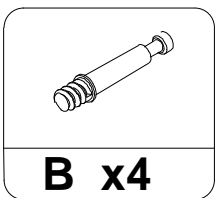
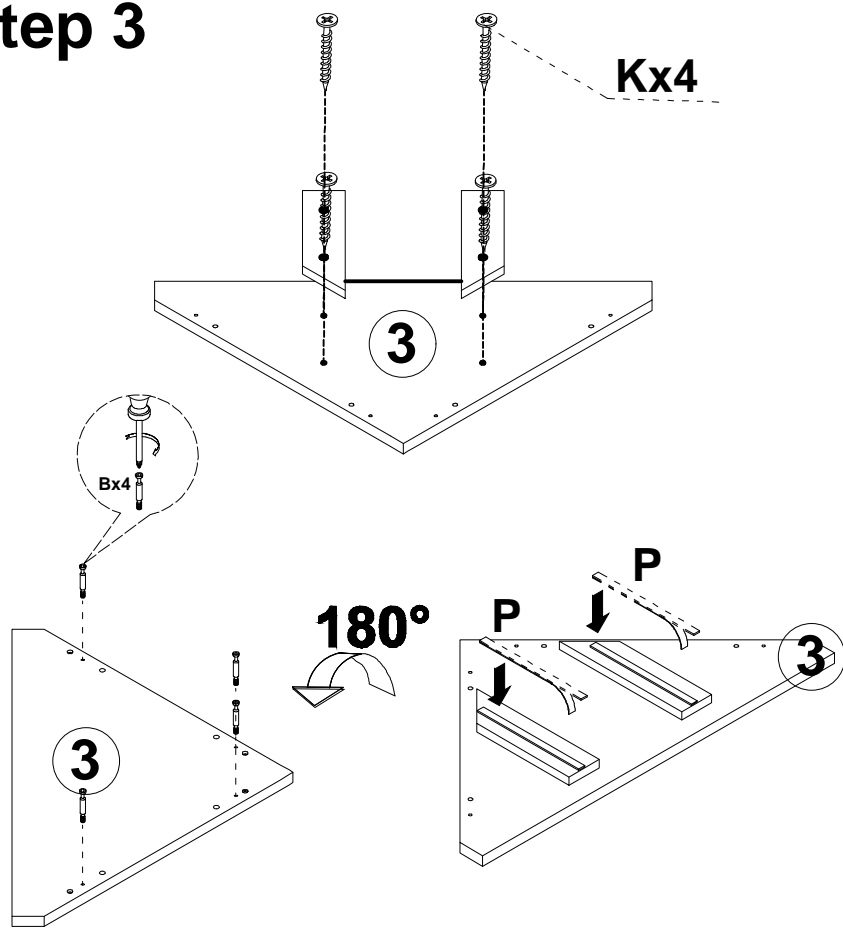
step 1



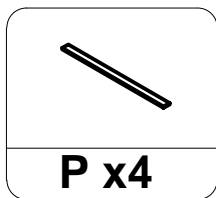
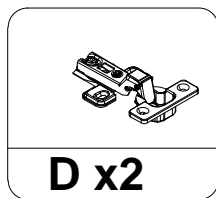
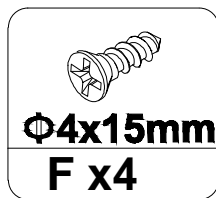
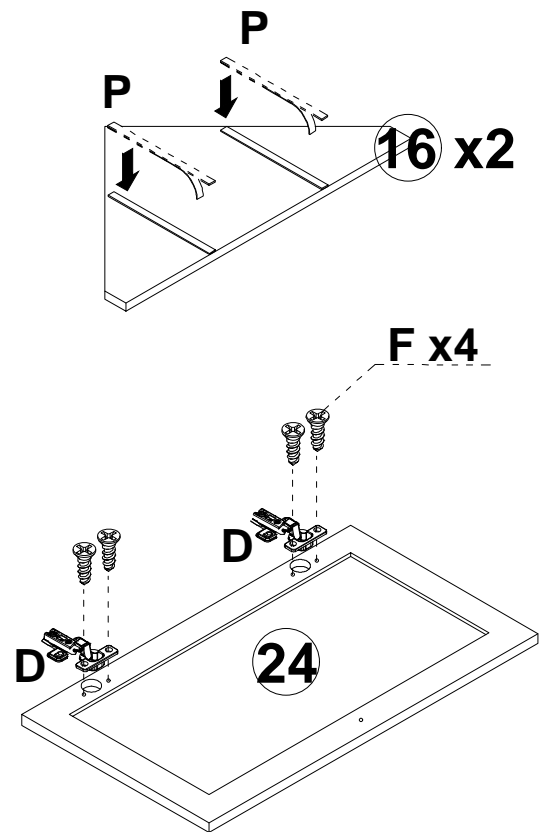
step 2



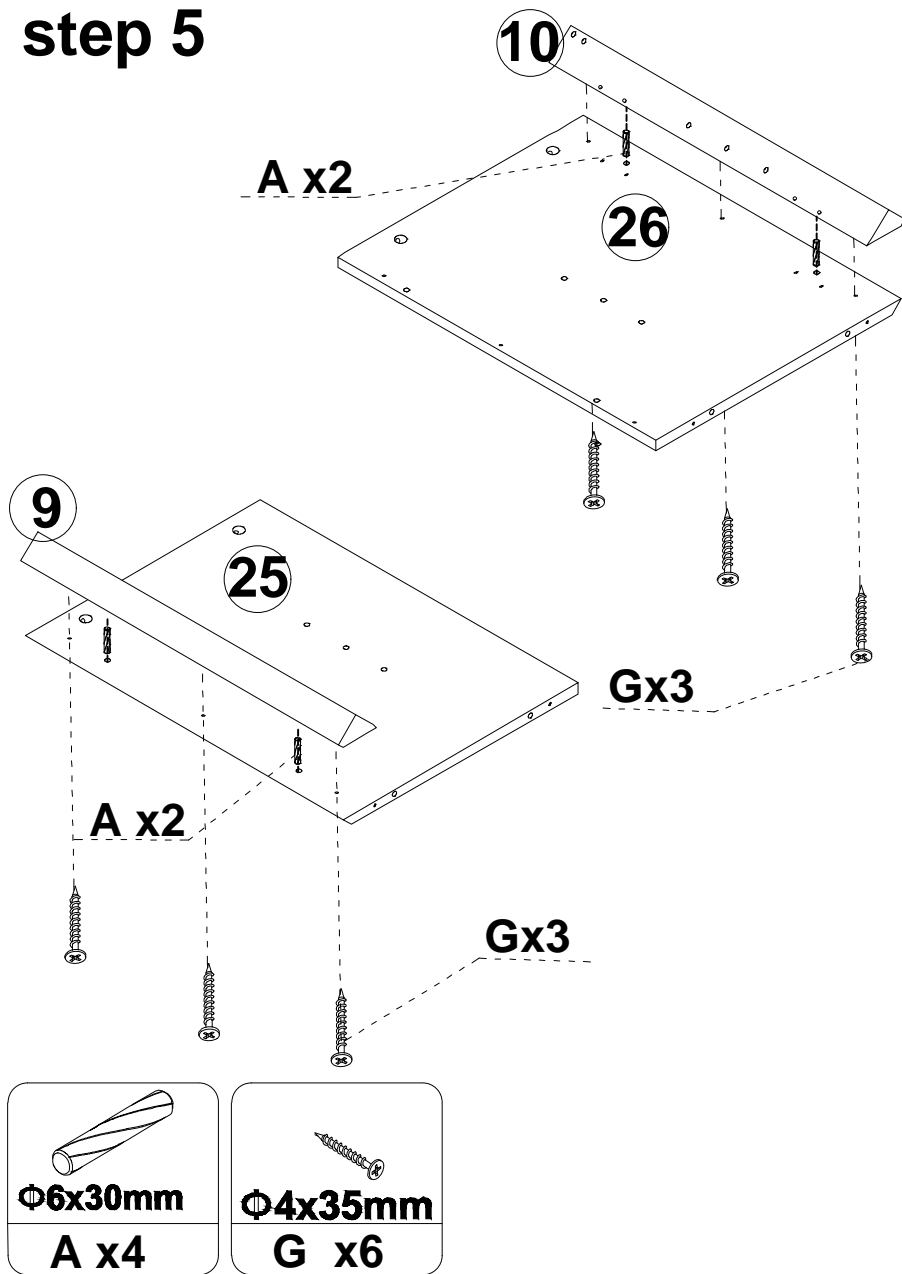
step 3



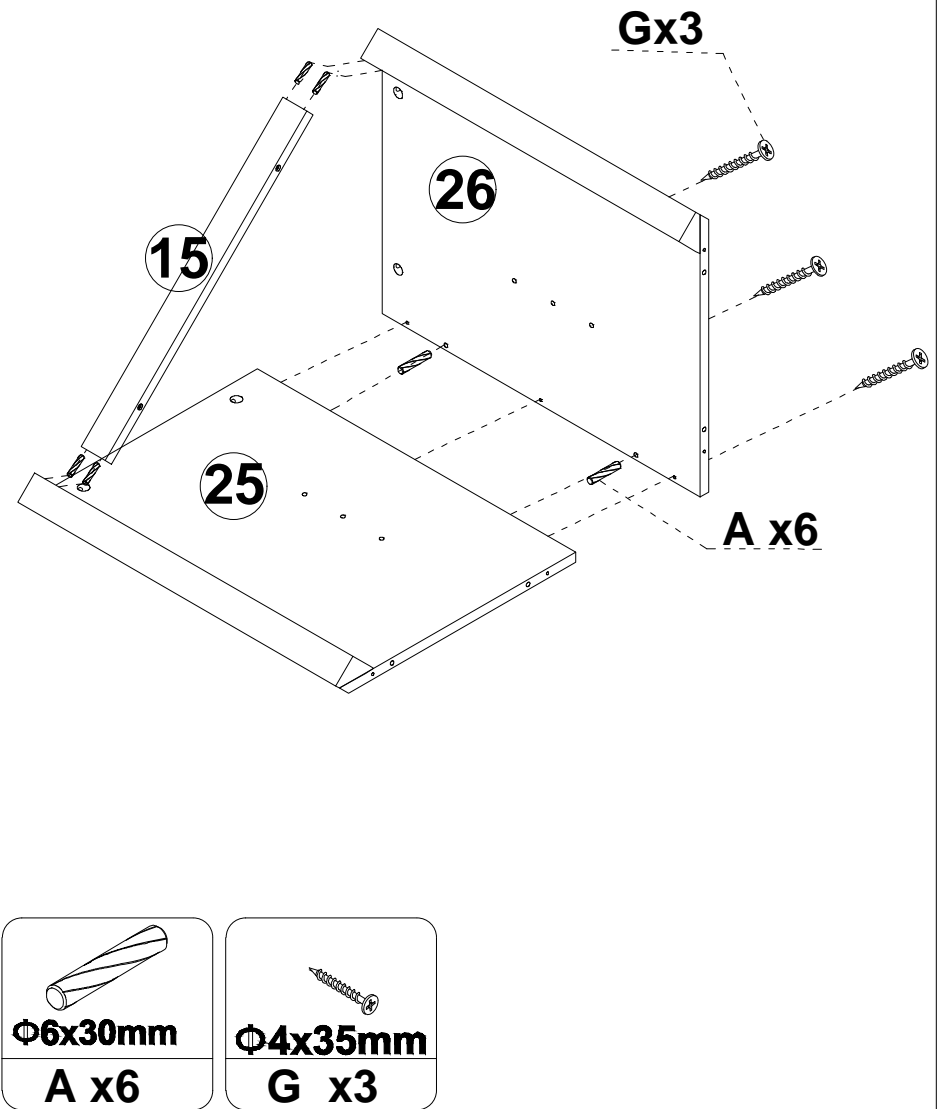
step 4



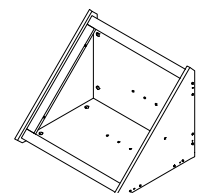
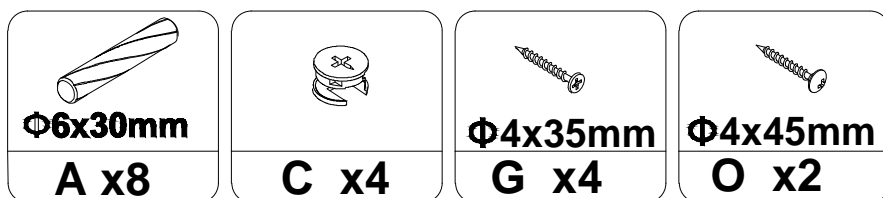
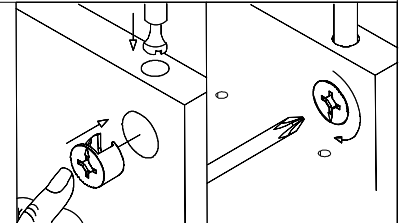
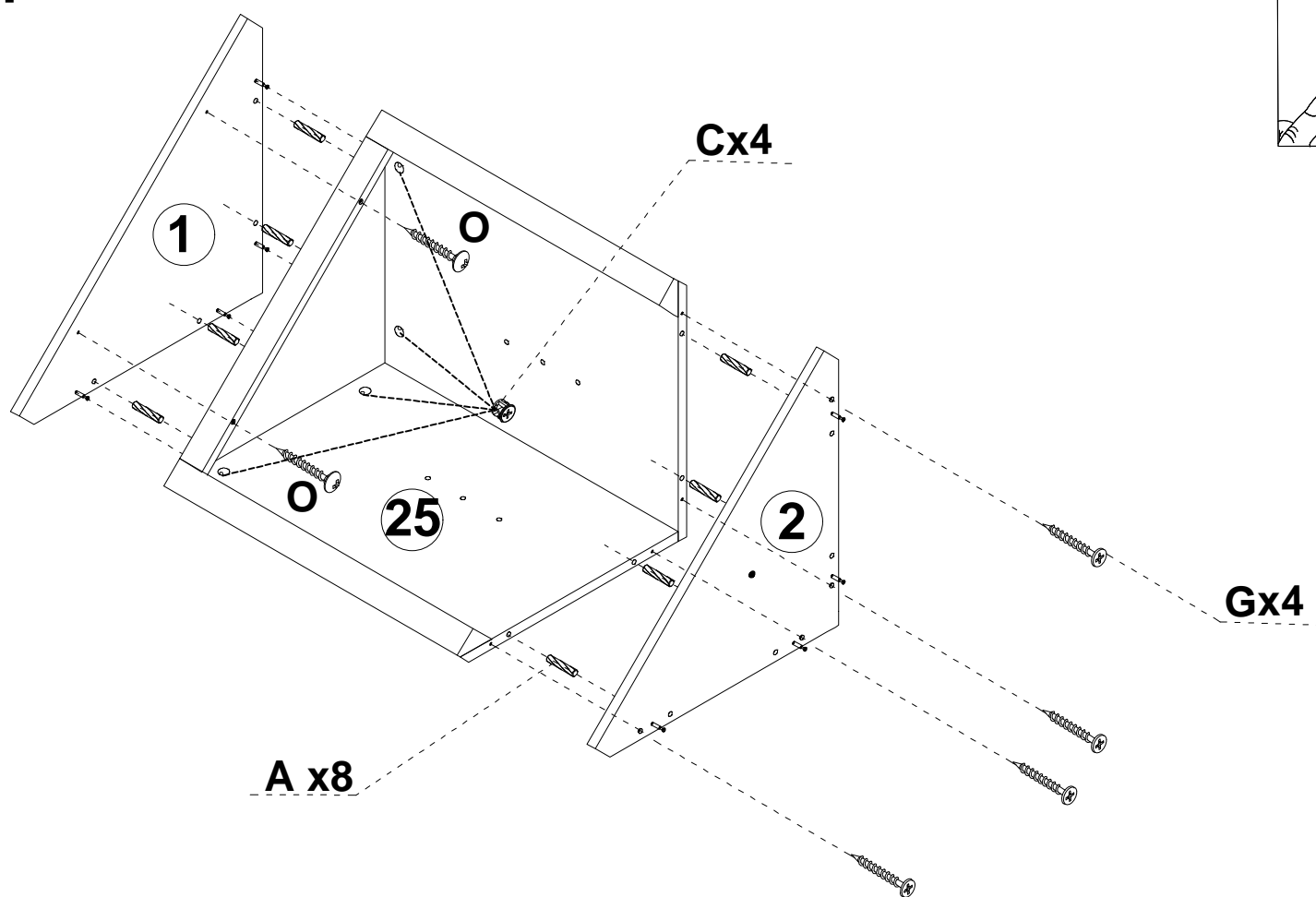
step 5



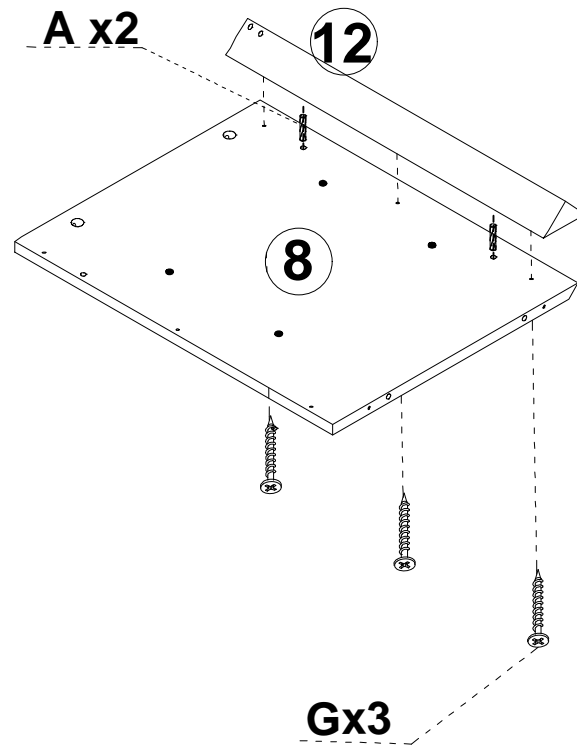
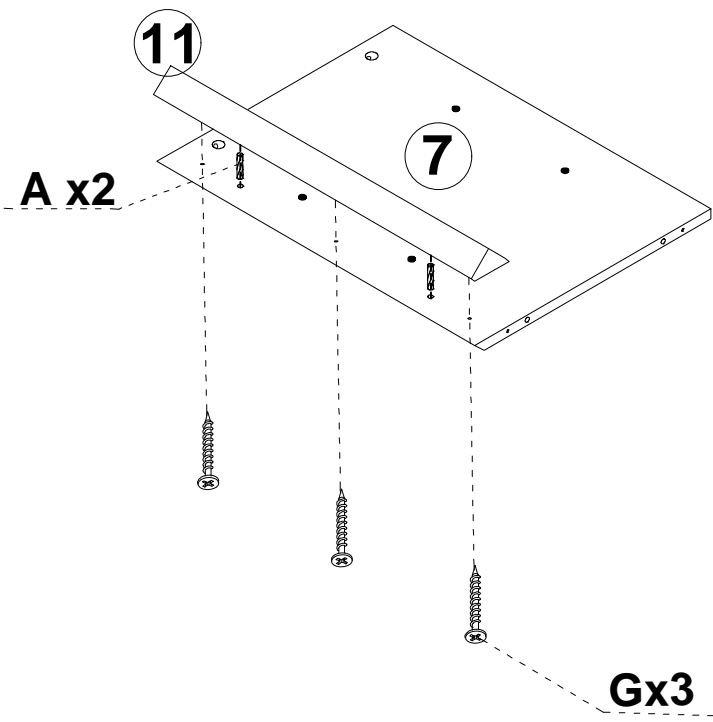
step 6



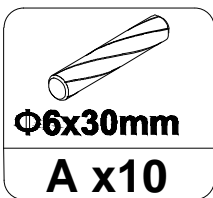
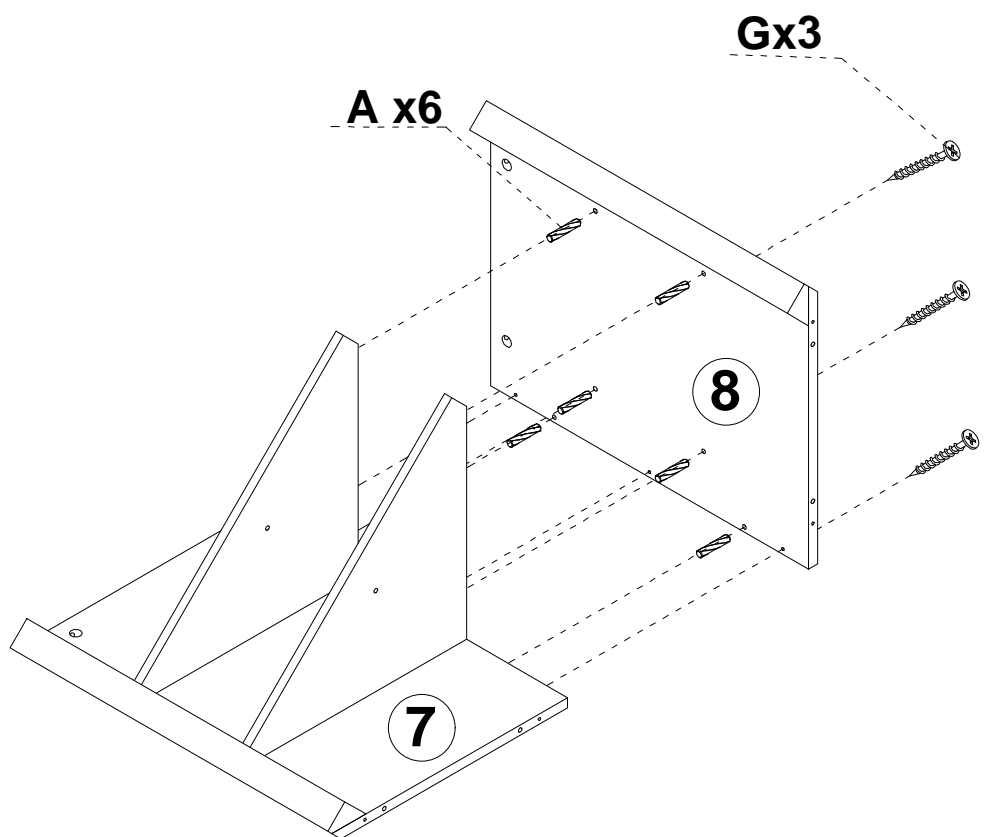
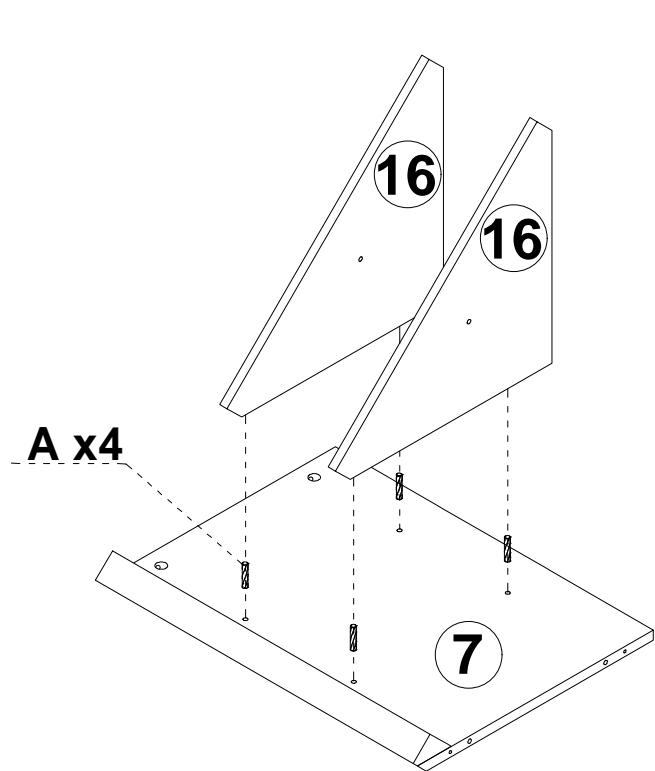
step 7



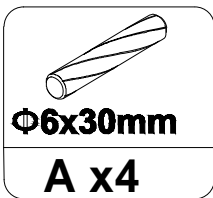
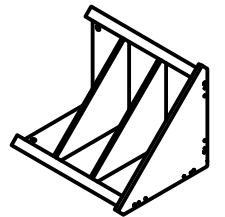
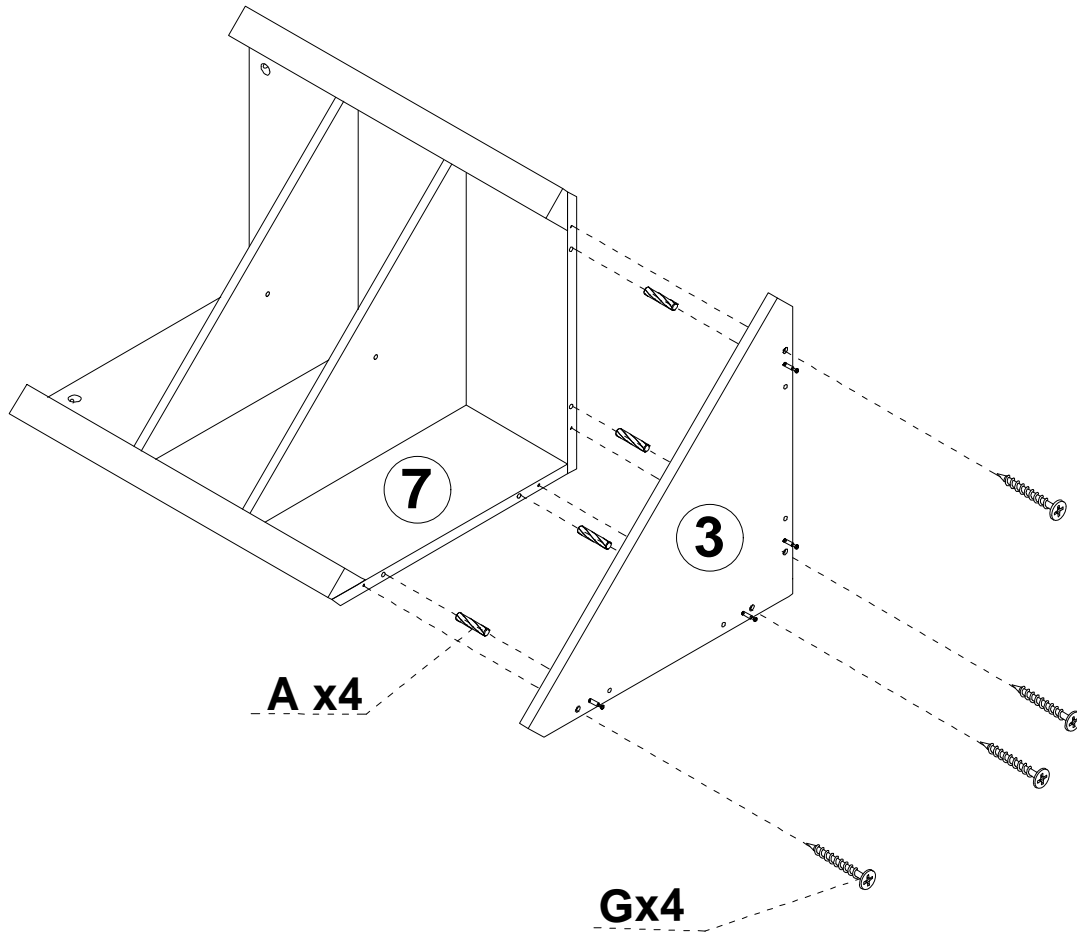
step 8



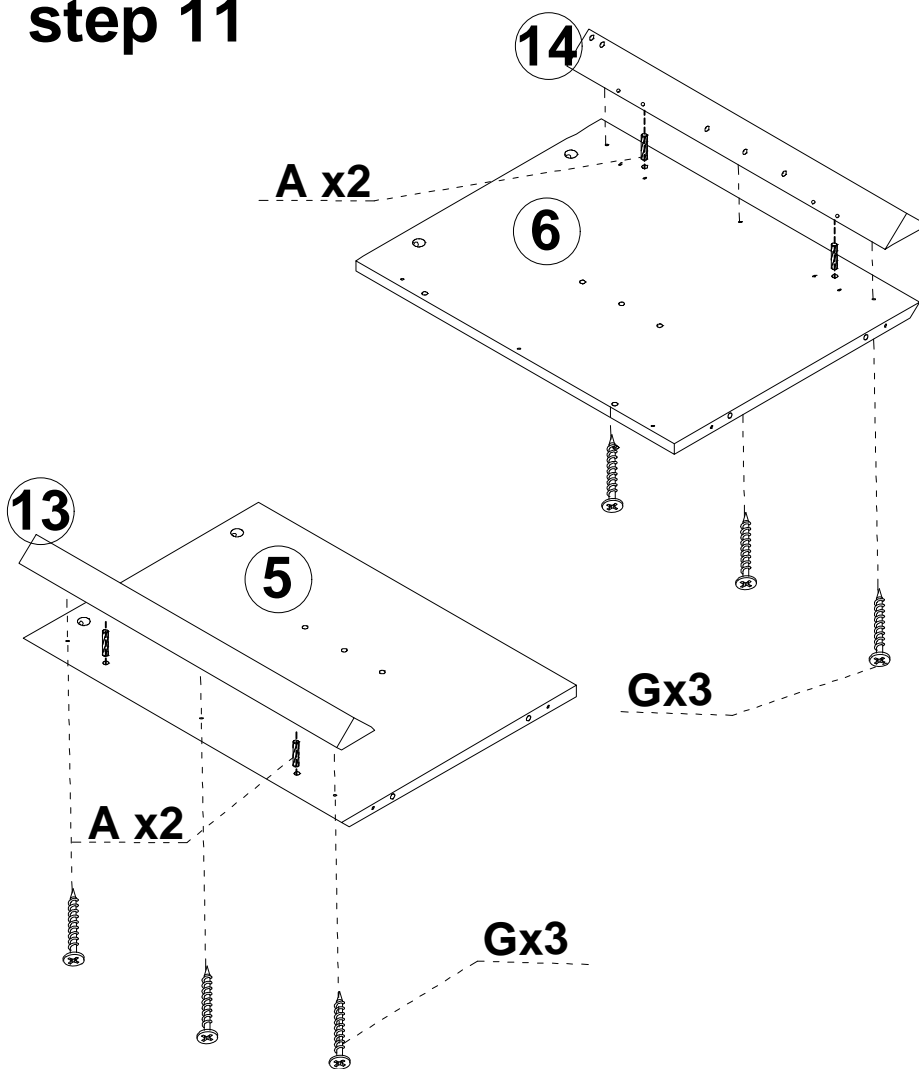
step 9



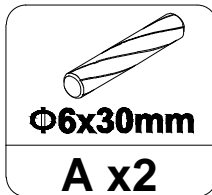
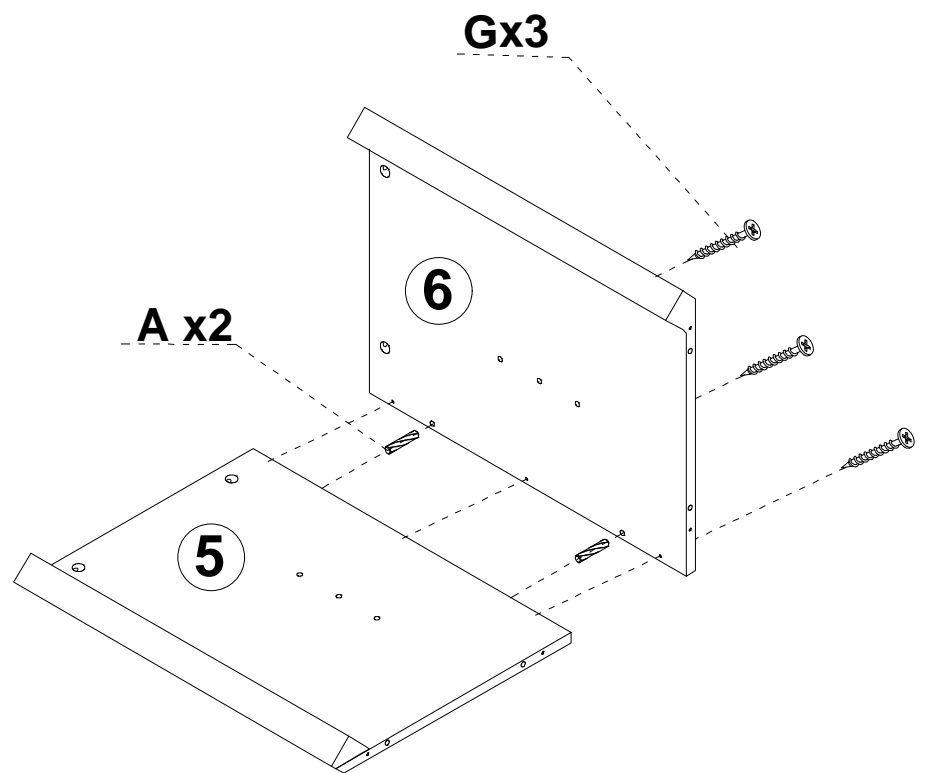
step 10



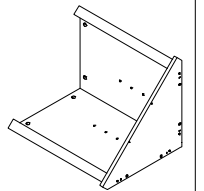
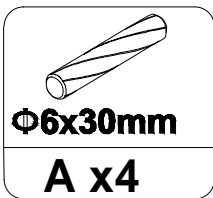
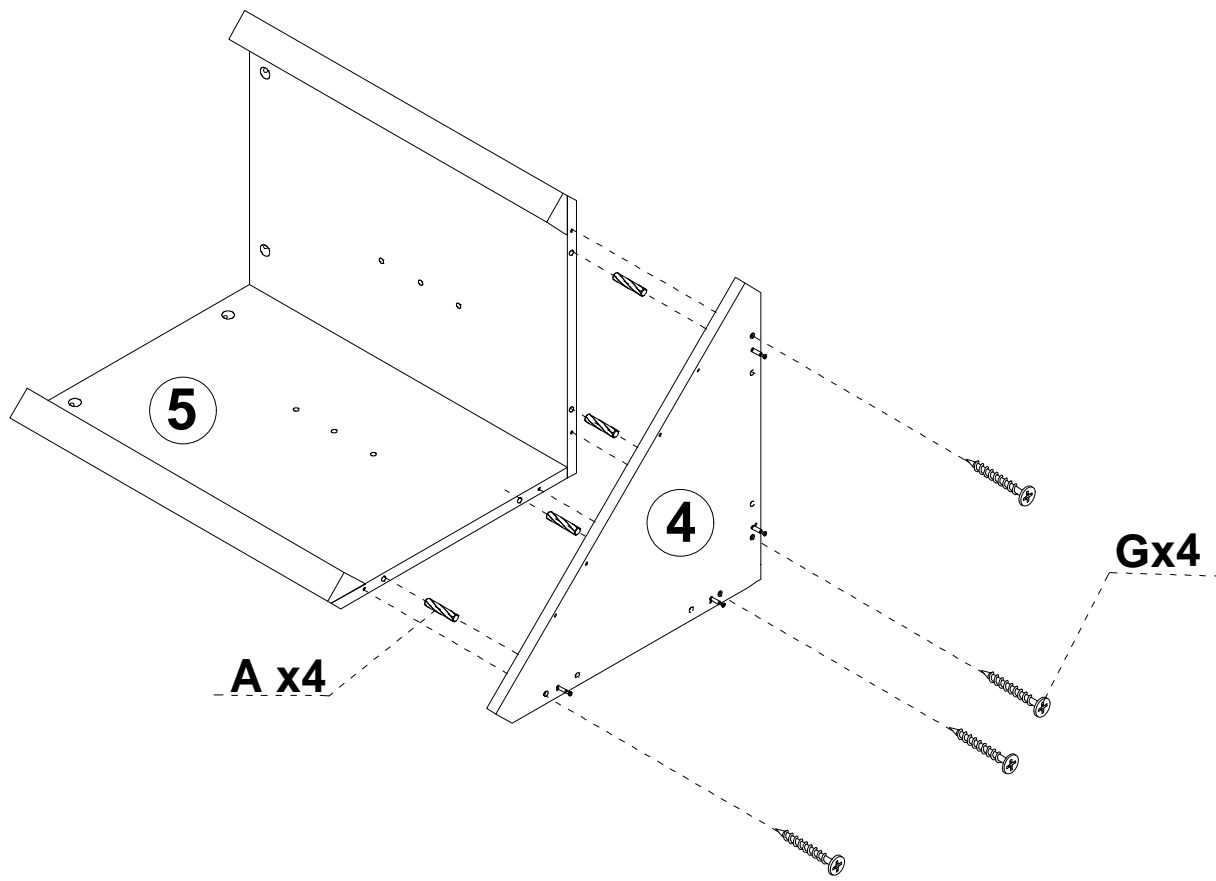
step 11



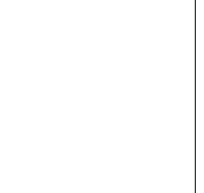
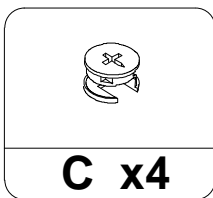
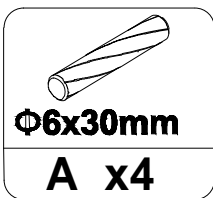
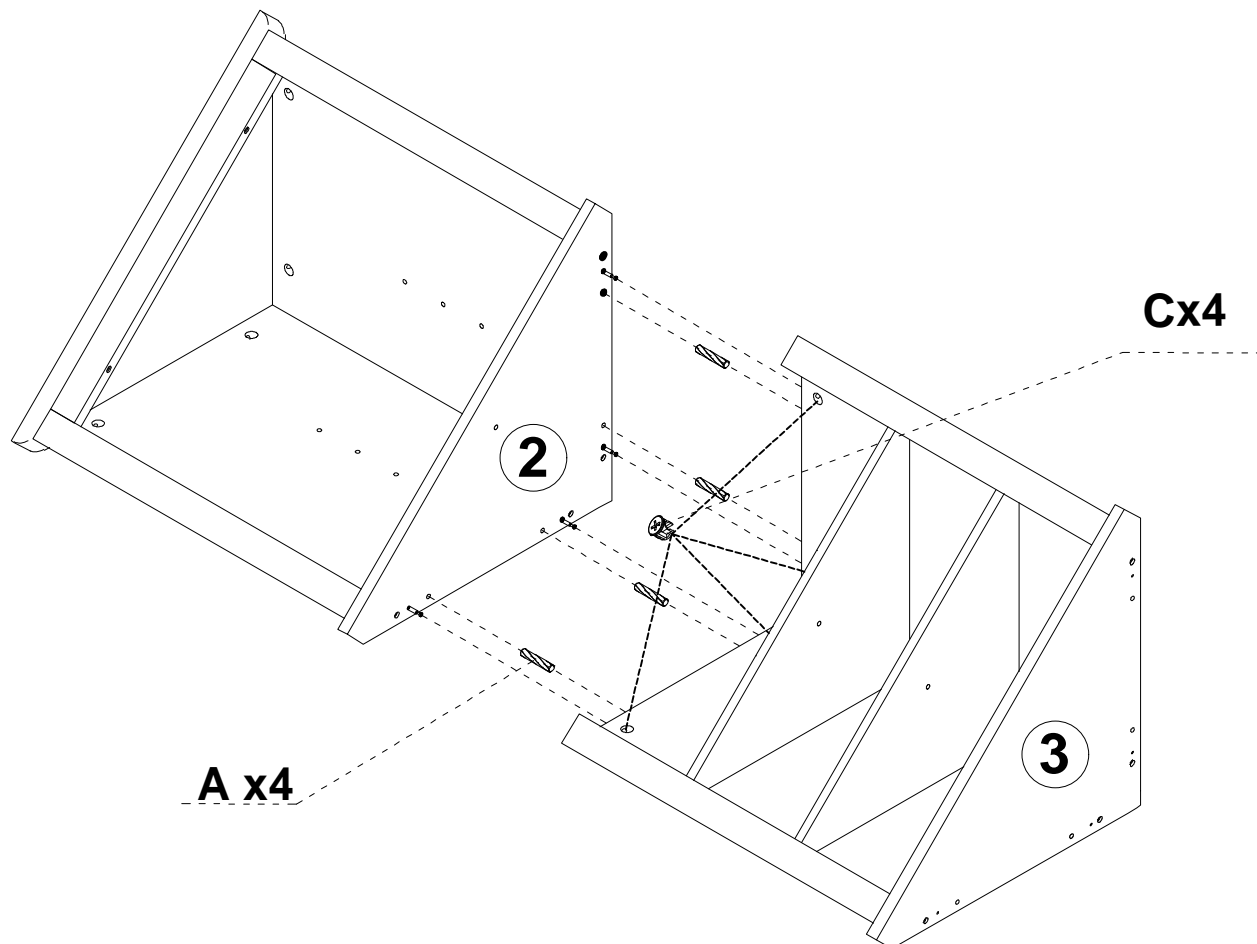
step 12



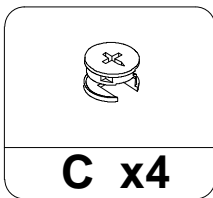
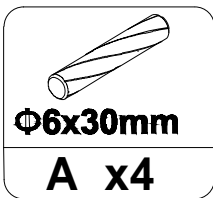
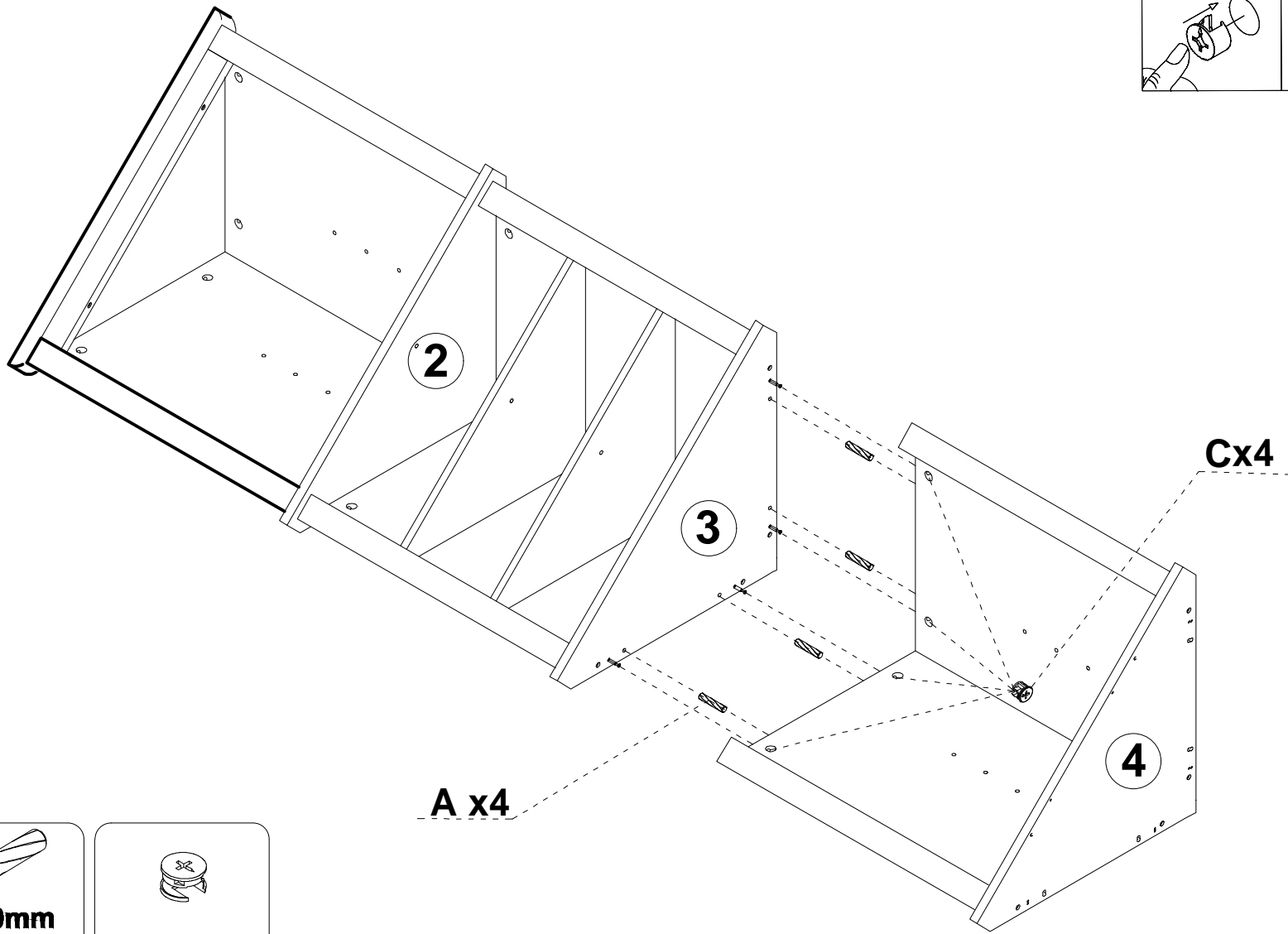
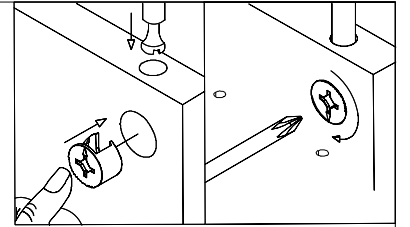
step 13



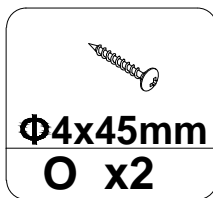
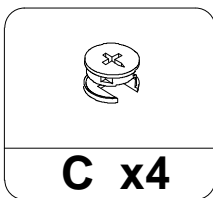
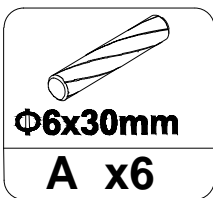
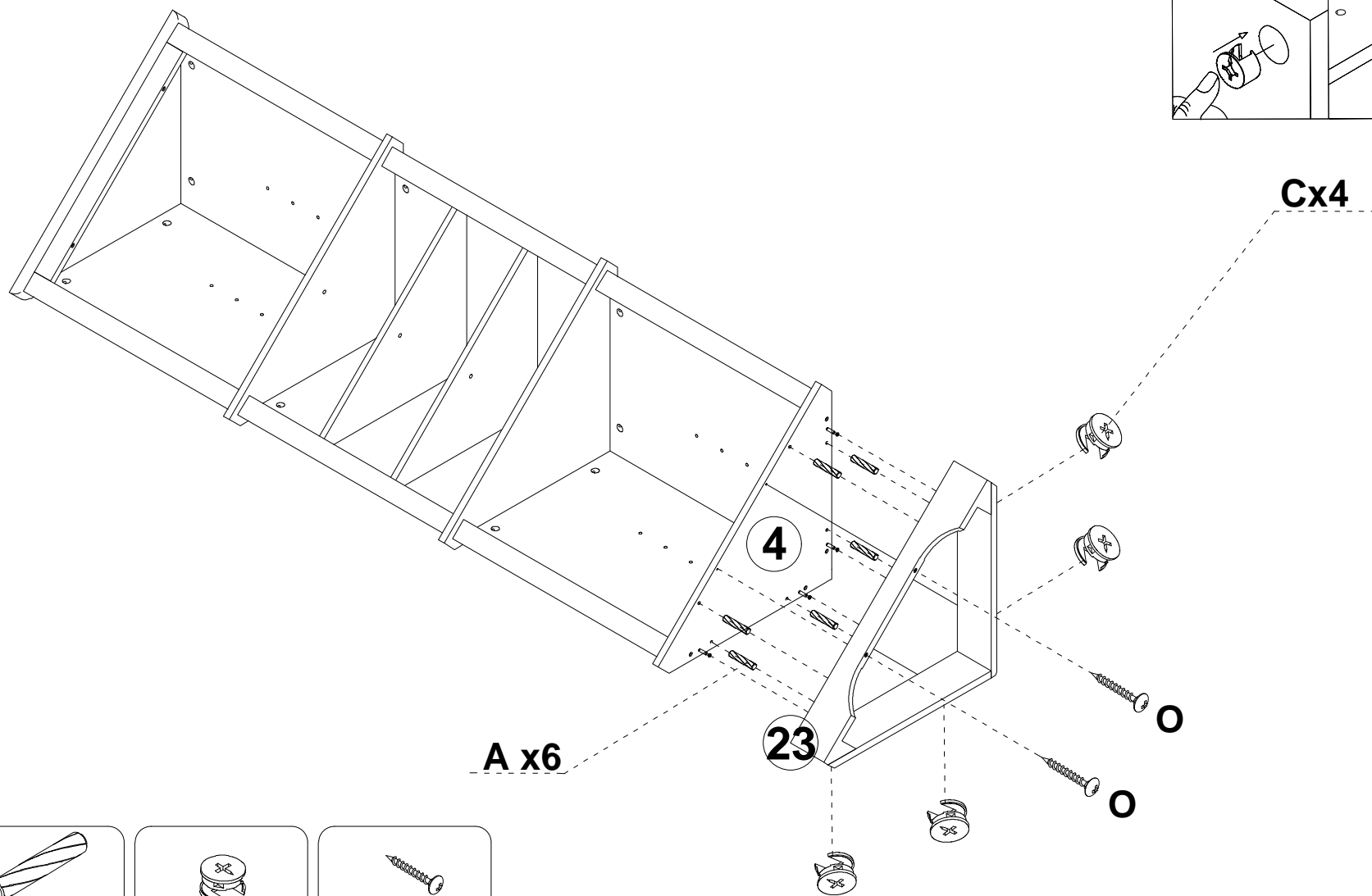
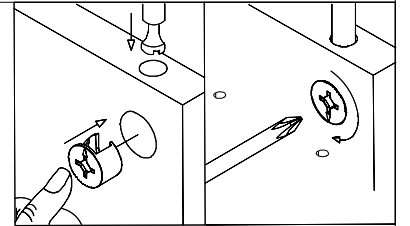
step 14



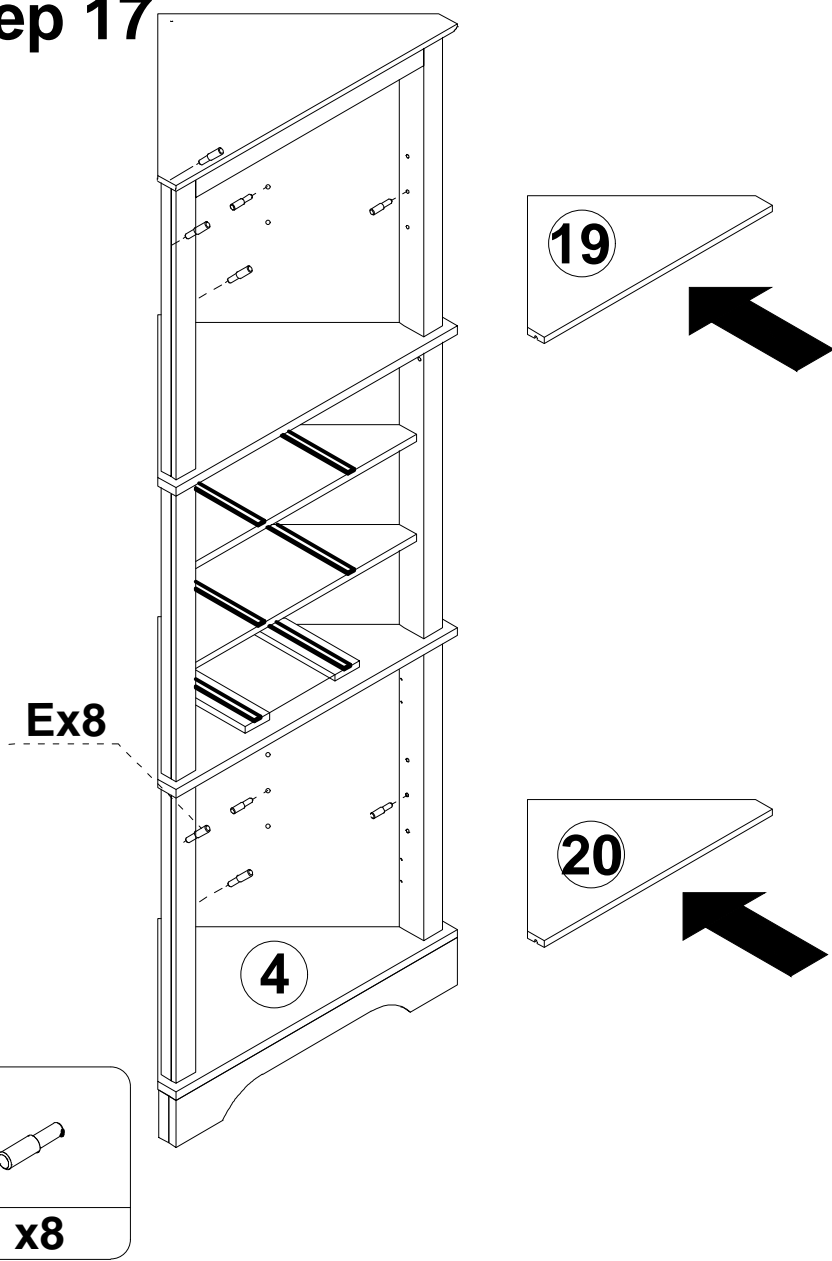
step 15



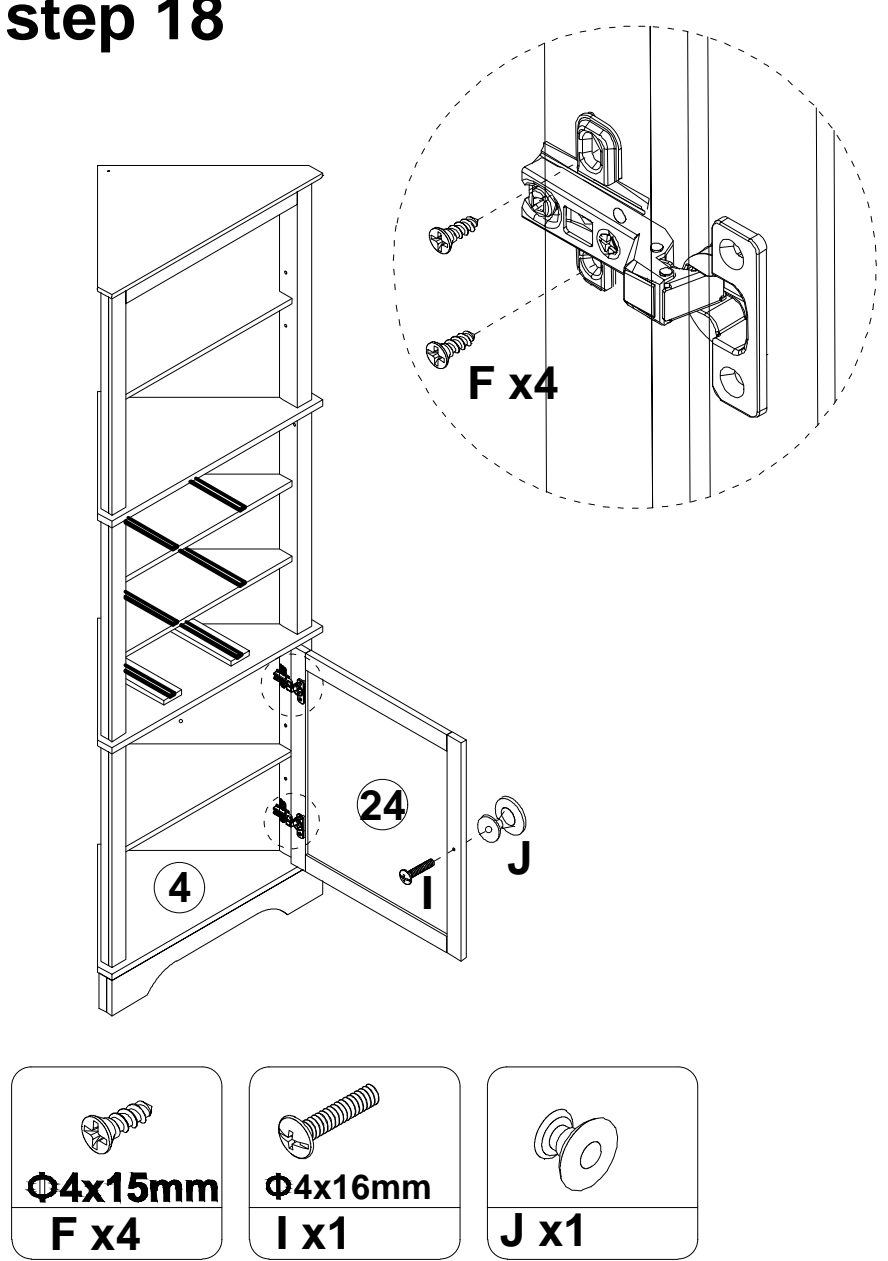
step 16



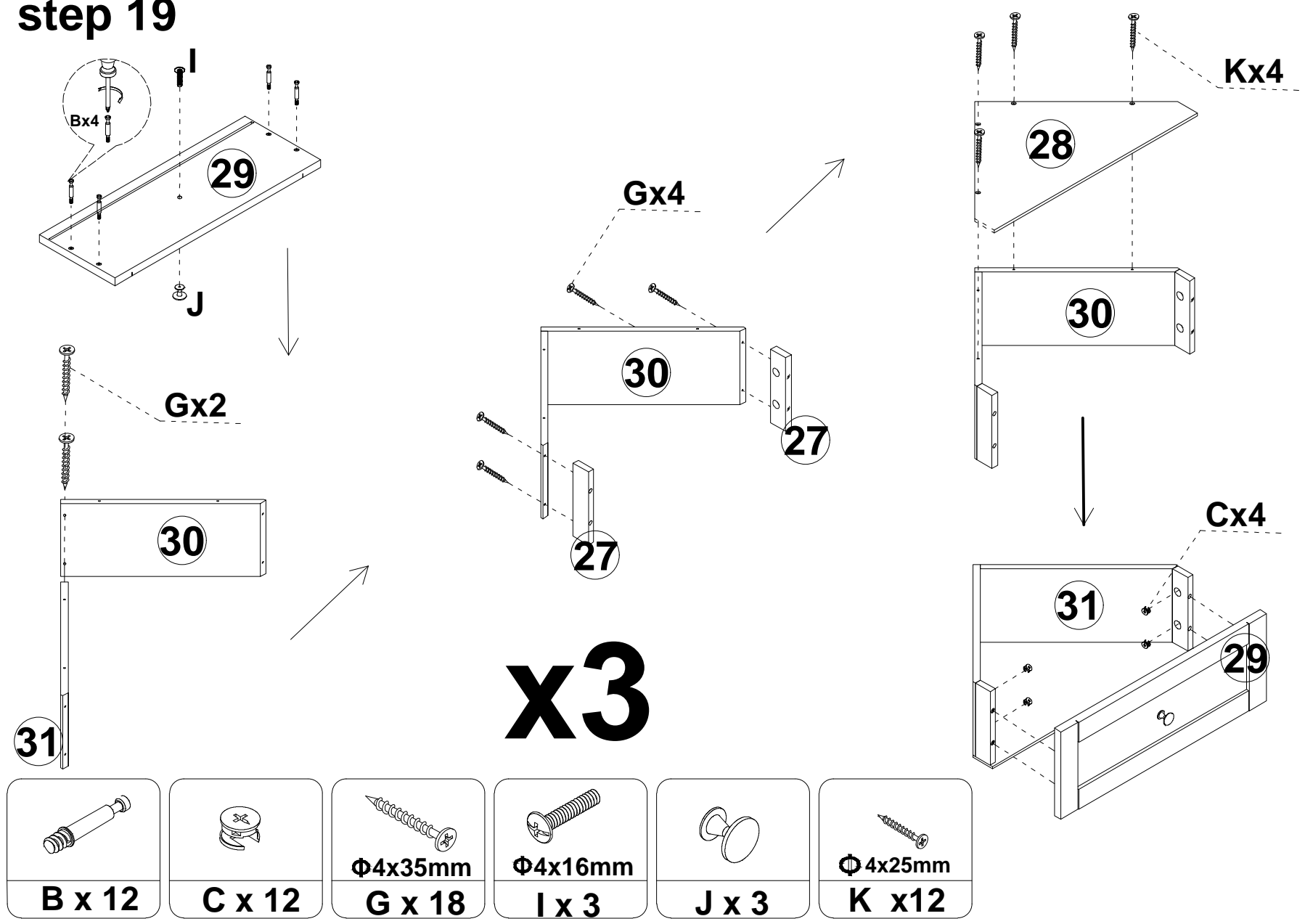
step 17



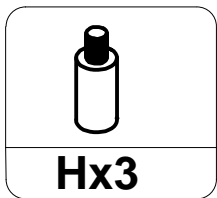
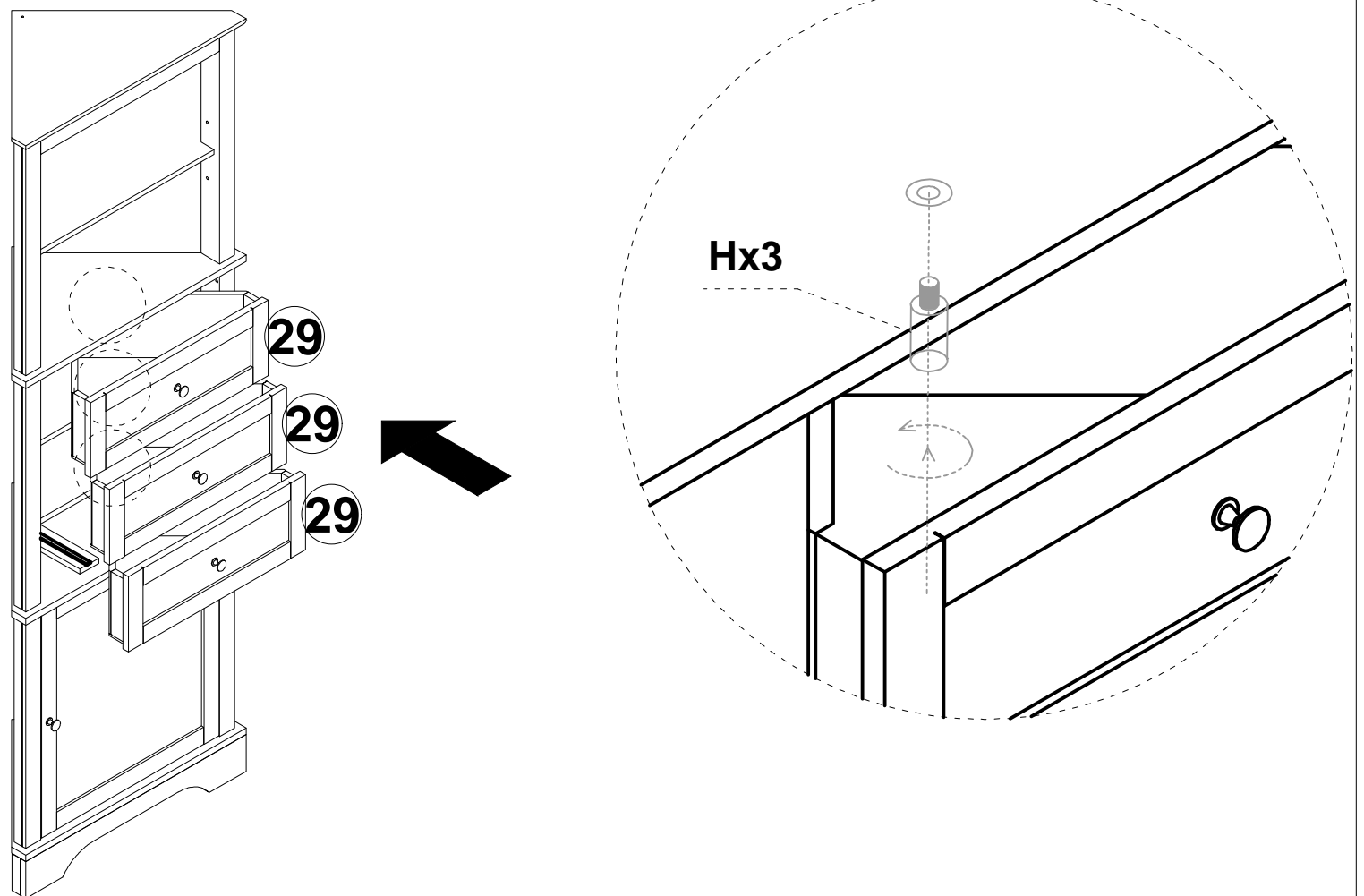
step 18



step 19



step 20



step 21

