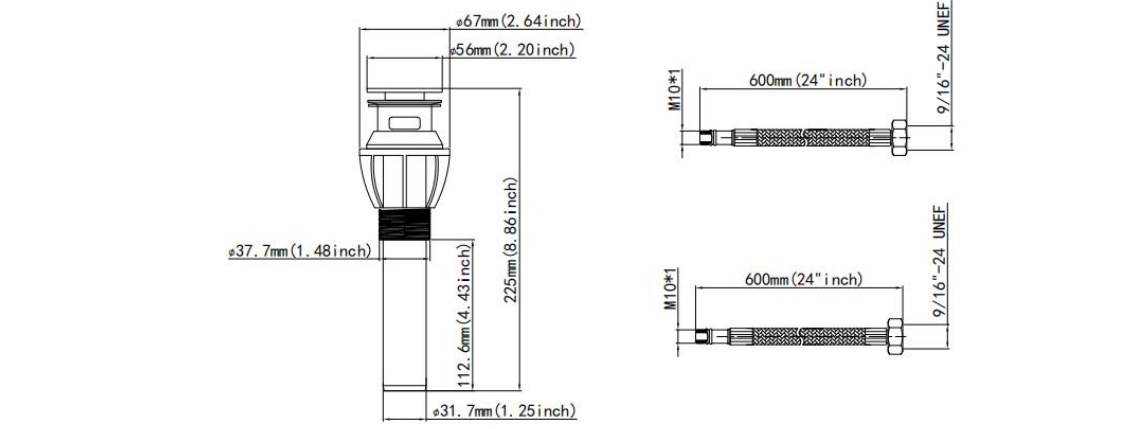
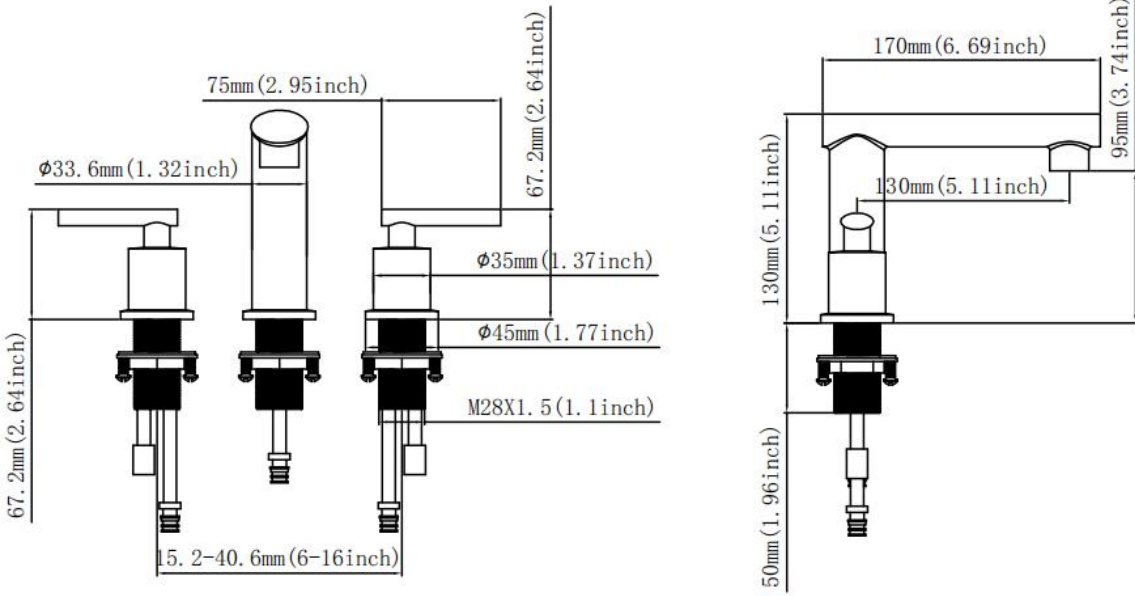


Product model: PK016

Please contact our customer service by simply sending us a message via the market place where you purchased from.



TO ASSEMBLE:

Tools you will need

Rags Sealant Tape Stainless (Non-Staining) Plumbers Putty

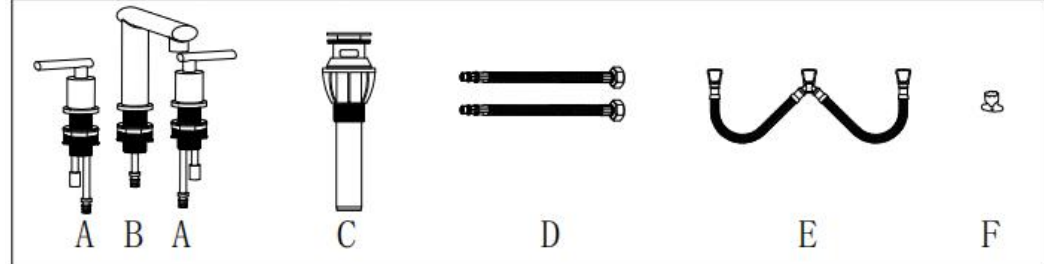
Caution!!!

1. Water lines must be completely flushed before use, to avoid debris & clogs in your water system leading to reduction of water flow and mal-functioning.
2. Warranty is void if water lines are not flushed prior to use and installation of the new faucet.
3. Use of abrasives of any strength may damage the finish of the faucet and void the product warranty.
4. Do not over tighten your faucet on the countertop during installation. However, over-tightened or over-torqued nuts may lead to cracks on the valve and will eventually lead to leaking and water damage.
5. Before installation of the faucet to the desired fixture, you need to secure and anchor your console, sink, tub, or vanity cabinet firmly to the wall and to the floor. To ensure your fixture or faucet mounting surface cannot be moved, before installation of the faucet, please test to see if the cabinet or vanity can be moved by hand or body weight. If the faucet mounting fixture is not secure and anchored, it will eventually crack the valve and cause leaking leading to property damage. In order to avoid this, be sure to secure your installation surface. Do not use any Power Tools for assembly and installation which can cause internal fractures to the fixture.

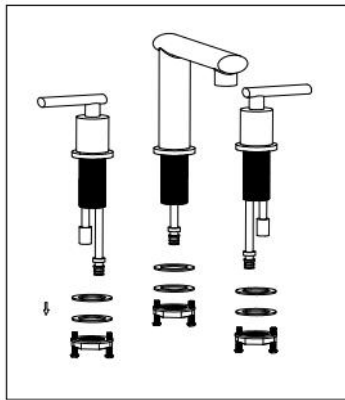
Before Beginning Installation

1. Make sure you have all necessary parts by checking the diagram and parts list.
2. Flush plumbing lines to clear any debris.
3. Shut off both supply lines after flushing.
4. Make sure you have all necessary parts by checking the diagram and parts list.
5. Turn off the hot and cold water supply at the angle and turn on the old faucet to release any built up pressure. Remove existing faucet. Clean sink or counter top preparation for new faucet.
6. Shut off angle stops.

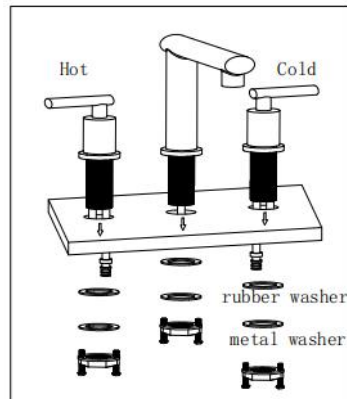
Num	A	B	C	D	E	F
Part list	handle body	spout	pop-up drain	water supply hose	quick connect hose	aerator key
Quantity	2	1	1	2	1	1



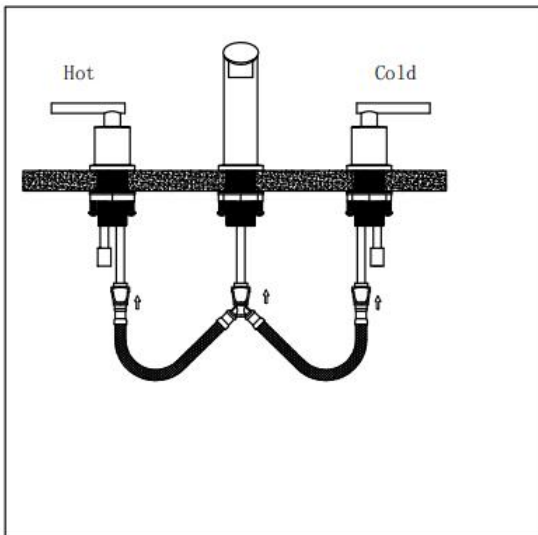
Faucet Installation Instruction



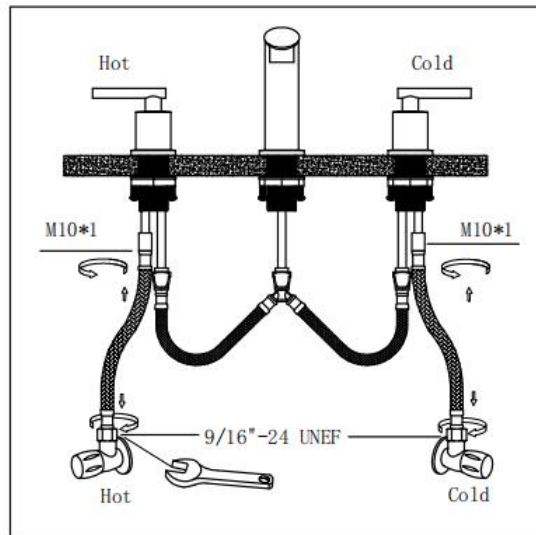
1. Loosen the nut of spout and handle;



2. Place spout into the center hole of sink, place the handle body into right/left sink hole (Hot water handle in left, cold water handle right) Assemble rubber washer and metal washer then tighten the lock nut;



3. Connect the 2 handles and spout with quick connect hose;



4. Connect two handles & two water supplies by water supply hose (Hot handle to Hot supply, Cold handle to Cold supply).

Pop-up Drain Installation Instruction

Attention

- > It is recommended to put a pipe joint putty on the upper gasket of the bottom assembly. This will ensure you get a good seal on the bottom of the sink.
- > Make sure the overflow hole of the pop up drain and the overflow of your sink is completely aligned if your sink come with overflow.
- > If there is any leakage, please re-assemble the drain according to the previous steps.

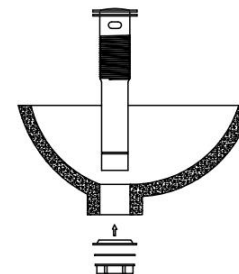
Notes

Clean the top flange surface before installation. . This item is not supposed to be twisted with any wrench.
Do not use polishing powders to clean the drain.

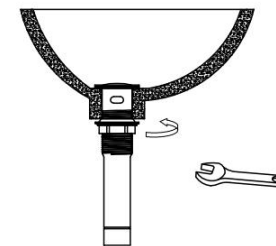
①



②



③



1. Loosen the nut;
2. Align the upper gasket onto the top flange. Insert the pop-up drain body up through the bottom of the sink;
3. Align the bottom gasket as well as lock nut onto the tailpipe. Place the drain body at the proper position and tighten up the lock nut.