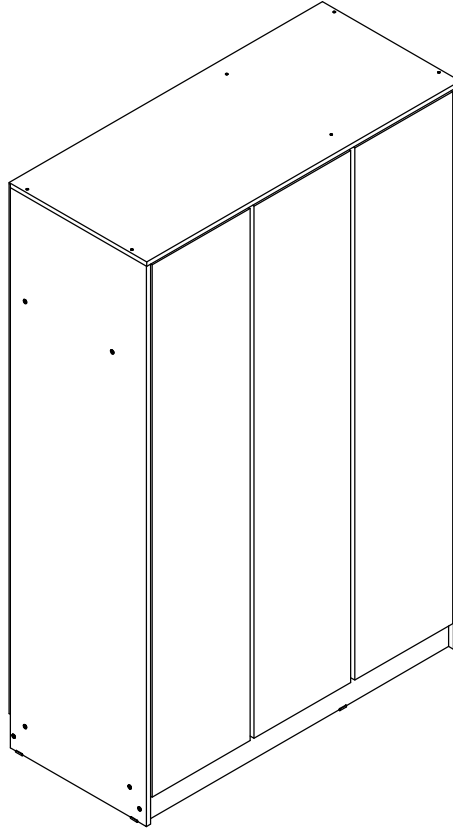


3 DOOR WARDROBE ASSEMBLY INSTRUCTIONS



IMPORTANT FOR DOMESTIC USE ONLY PLEASE READ BEFORE YOU CONTINUE FURTHER

THE PRODUCT YOU HAVE PURCHASED WILL GIVE YOU MANY YEARS OF SERVICE IF YOU FOLLOW THE GUIDELINES FOR ITS SAFE ASSEMBLY AND PERIODIC MAINTENANCE AND CLEANING.

ASSEMBLE ON A SOFT CLEAN SURFACE.

DO NOT USE ANY TOOLS OTHER THAN THOSE SHOWN.

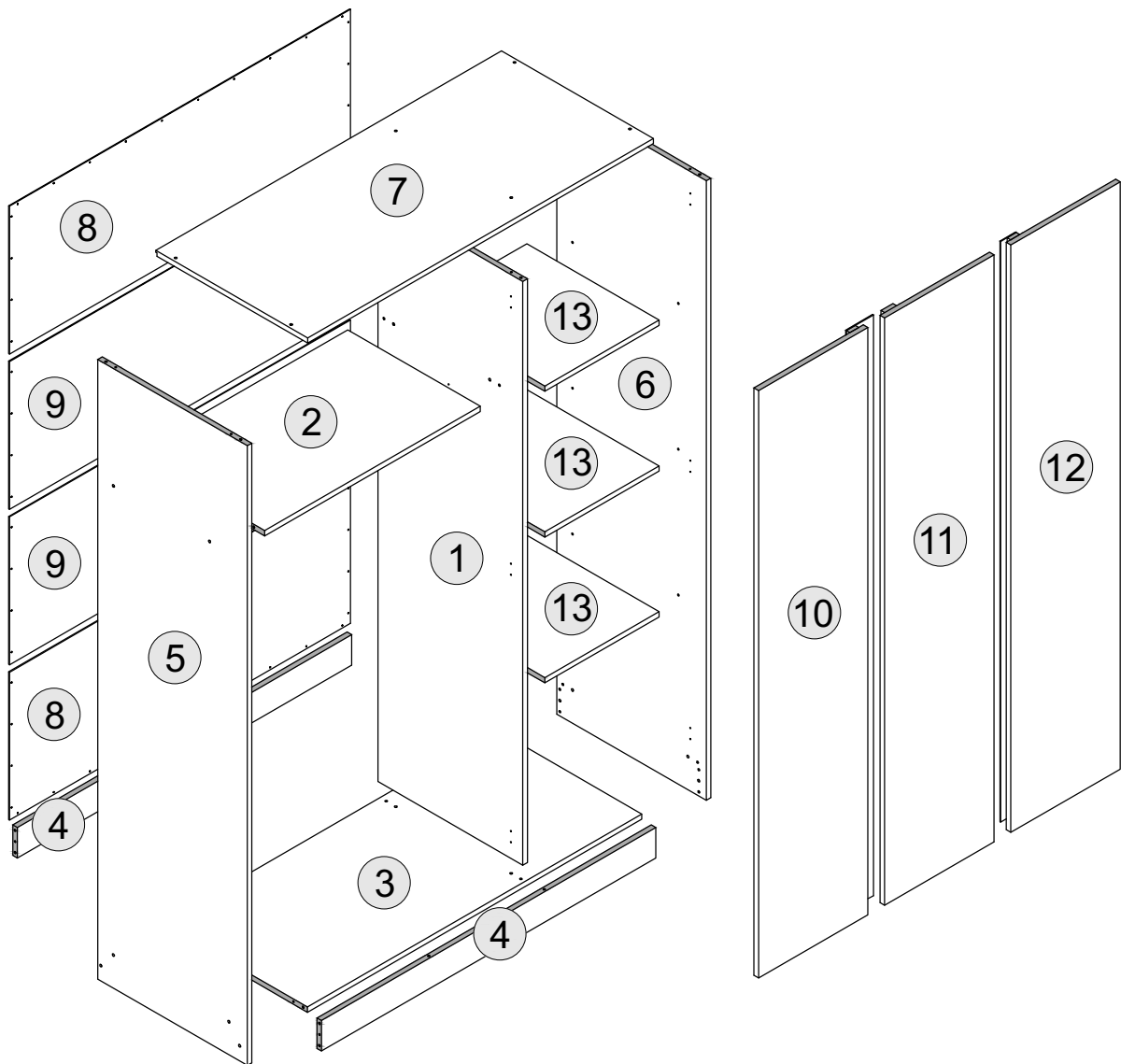
ANY SPANNERS OR ALLEN KEYS REQUIRED ARE INCLUDED WITH THE FITTINGS KIT.

DO NOT FOR ANY REASON USE A POWER TOOL TO ASSEMBLE THIS PRODUCT. ITS USE WILL INVALIDATE ANY CLAIM YOU MAY HAVE AND COULD MAKE THIS PRODUCT UNSAFE.

DEPENDING ON THE AMOUNT OF USE THIS PRODUCT RECEIVES IT MAY BE NECESSARY TO TIGHTEN UP THE FIXINGS FROM TIME TO TIME. THIS IS COMPLETELY NORMAL FOR ANY FLAT PACK FURNITURE. DO NOT OVERTIGHTEN FIXING.

FOR CLEANING, YOU MAY USE A DAMP CLOTH (NOT WET) DO NOT USE POLISH, DÉTERGENT OR CHEMICAL CLEANERS.



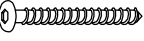
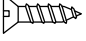
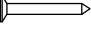
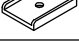






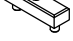

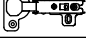



THE SURFACE OF THIS ITEM IS NOT HEAT RESISTANT. ALWAYS USE A PLACE MAT UNDER HOT OR COLD ITEMS TO PREVENT MARKING.



PART LIST

<u>Part Number</u>	<u>Part Code</u>	<u>Part Description</u>	<u>Quantity</u>	<u>Carton</u>
1	S100-101-195-EU1-01	Centre Panel	1	1/3
2	S100-101-195-EU1-02	Shelf Panel	1	2/3
3	S100-101-195-EU1-03	Bottom Panel	1	2/3
4	S100-101-195-EU1-04	Base Apron	2	3/3
5	S100-101-195-EU1-05	Side Panel - Left	1	1/3
6	S100-101-195-EU1-06	Side Panel - Right	1	1/3
7	S100-101-195-EU1-07	Top Panel	1	2/3
8	S100-101-195-EU1-08	Back Panel 1	2	2/3
9	S100-101-195-EU1-09	Back Panel 2	2	2/3
10	S100-101-195-EU1-10	Door - Left	1	3/3
11	S100-101-195-EU1-11	Door - Centre	1	3/3
12	S100-101-195-EU1-12	Door - Right	1	3/3
13	S100-101-195-EU1-13	Small Shelf Panel	3	2/3

HARDWARE LIST

A		DOWEL 6 X 30MM	28 PCS
B		ALLEN KEY	1 PC
C		BOLT M6 X 50MM	12 PCS
D		SCREW M3.5 X 16MM	26 PCS
E		TACK	52 PCS
F		PLASTIC FOOT	6 PCS
G		SCREW M3.5 X 12MM	4 PCS
H		TAPPING SCREW M8 X 12MM	18 PCS
I		HANGING RAIL SUPPORT	2 PCS
J		HANGING RAIL	1 PC
K		SCREW M6 X 50MM	8 PCS
L		PLASTIC H STRIP	3 PCS
M		PVC STOPPER	2 PC
N		HINGES 7/8	6 PCS
O		HINGES 5/8	3 PCS
P		SHELF SUPPORT	12 PCS
Q		ANTI - TIP STRAP	2 PCS
R		SCREW M4 X 16MM	2 PCS

STEP 1

PARTS REQUIRED

1 - CENTRE PANEL x1

HARDWARE REQUIRED

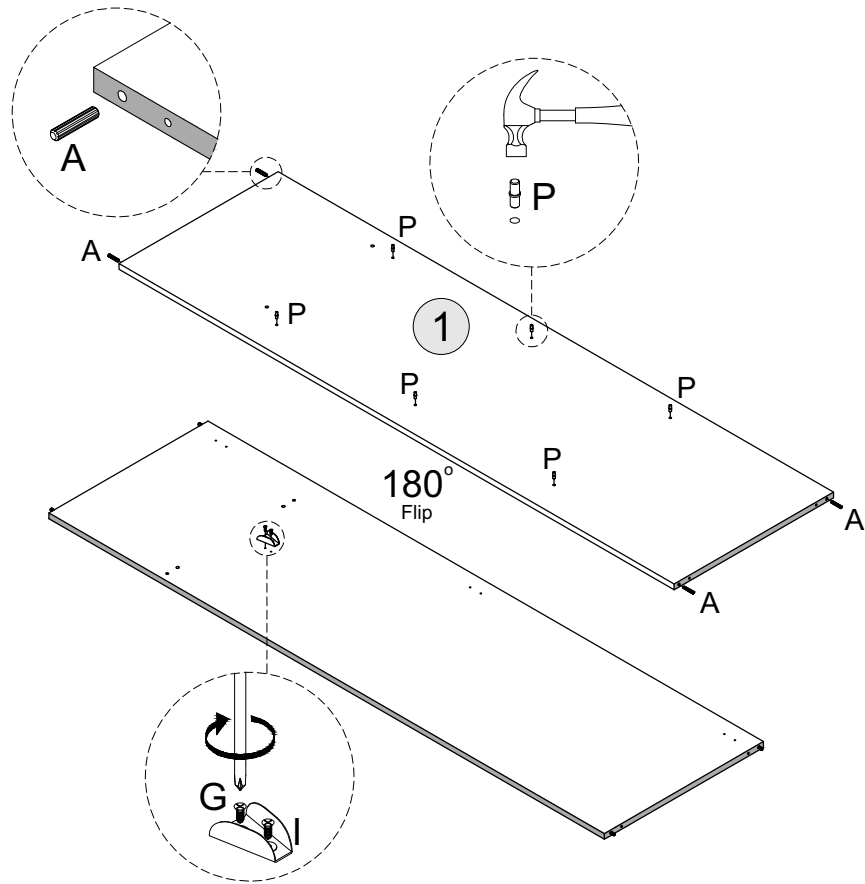
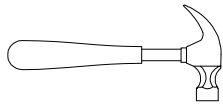
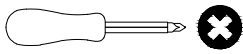
A  04

G  02

I  01

P  06

TOOLS REQUIRED



STEP 2

PARTS REQUIRED

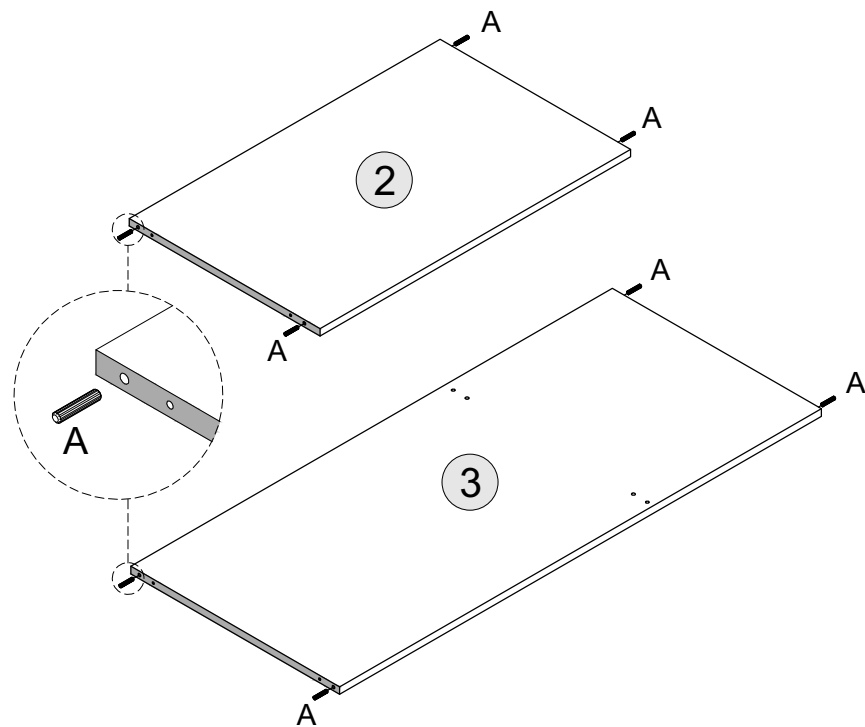
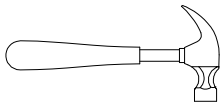
2 - SHELF PANEL x1

3 - BOTTOM PANEL x1

HARDWARE REQUIRED

A  08

TOOLS REQUIRED


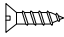



STEP 3

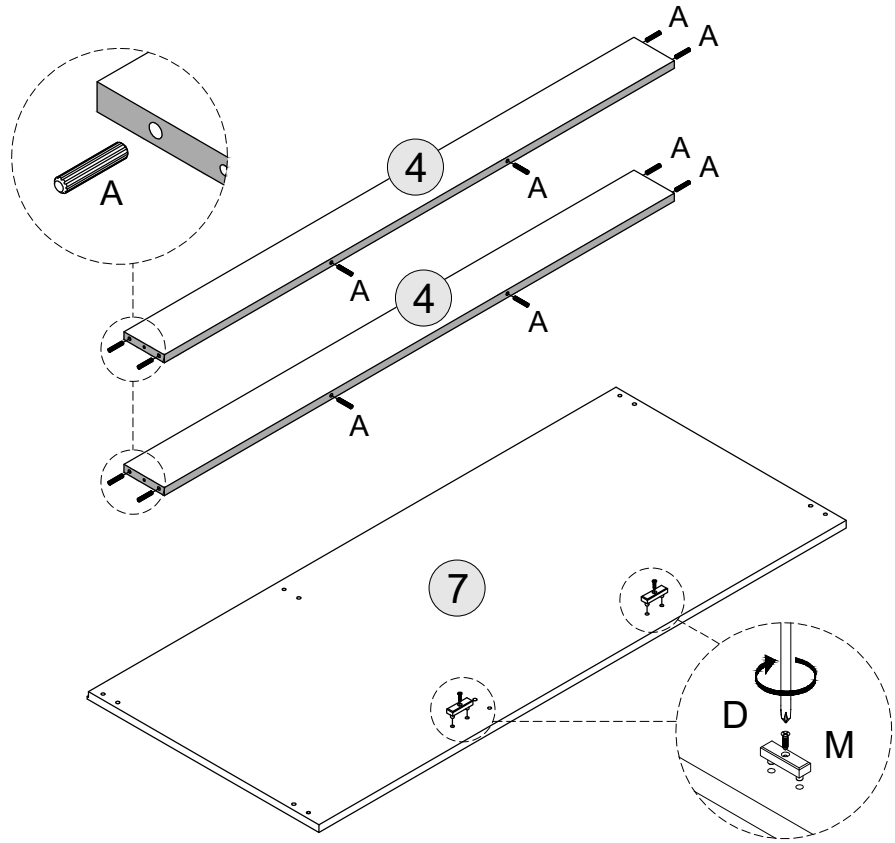
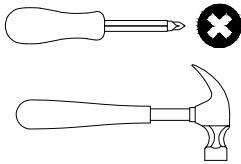
PARTS REQUIRED

4 - BASE APRON	x2
7 - TOP PANEL	x1

HARDWARE REQUIRED

A		12
D		02
M		02

TOOLS REQUIRED


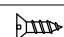
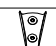



STEP 4

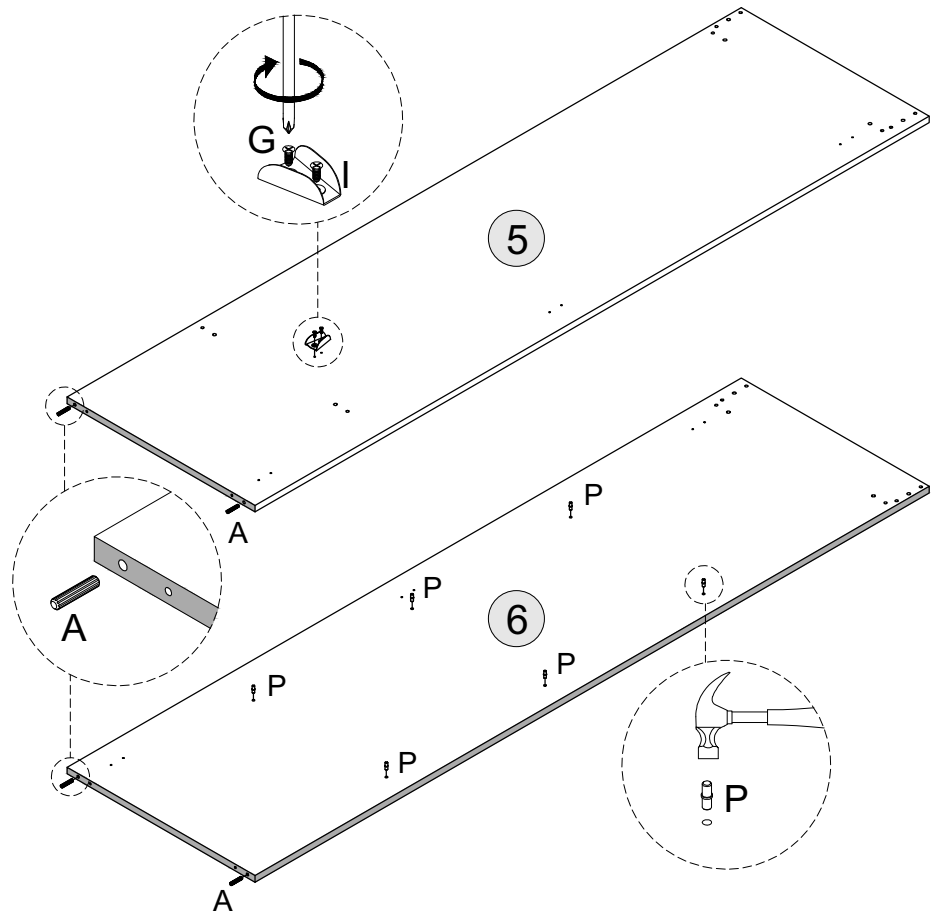
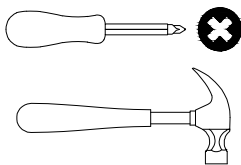
PARTS REQUIRED

5 - SIDE PANEL - LEFT	x1
6 - SIDE PANEL - RIGHT	x1

HARDWARE REQUIRED

A		04
G		02
I		01
P		06

TOOLS REQUIRED

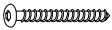



STEP 5

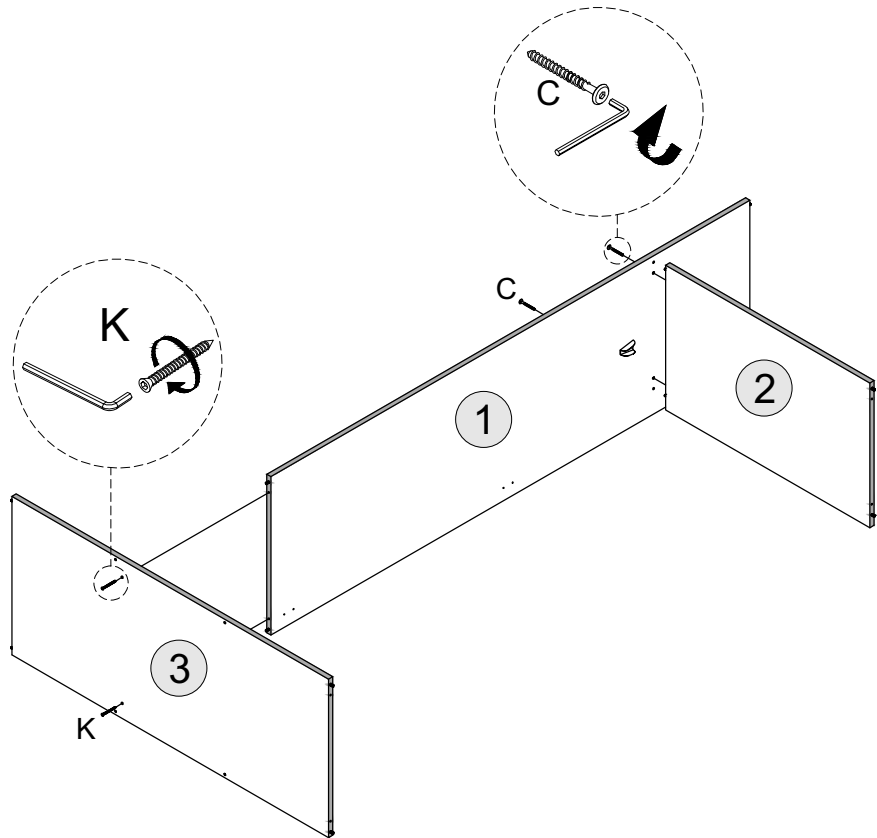
PARTS REQUIRED

1 - CENTRE PANEL	x1
2 - SHELF PANEL	x1
3 - BOTTOM PANEL	x1

HARDWARE REQUIRED

C		02
K		02

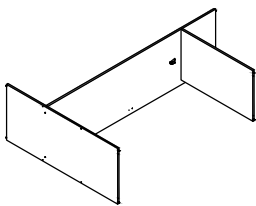
TOOLS REQUIRED



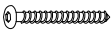
STEP 6

PARTS REQUIRED

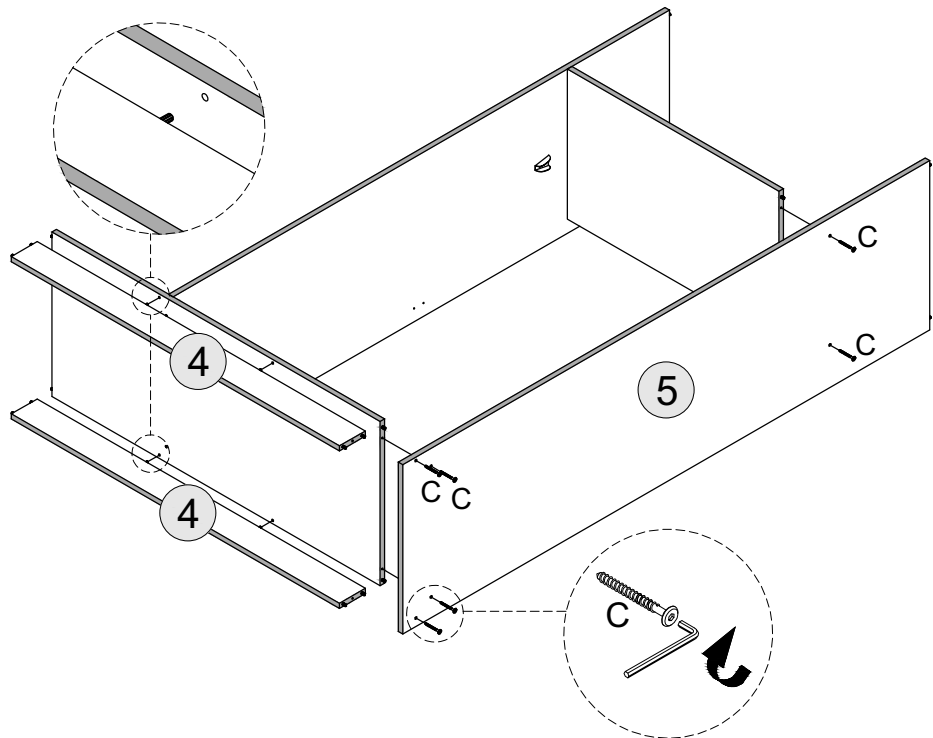
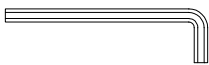
4 - BASE APRON	x2
5 - SIDE PANEL - LEFT	x1



HARDWARE REQUIRED

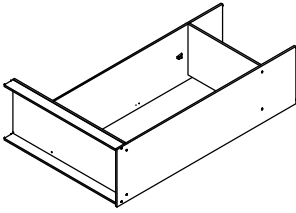
C		06
---	---	----

TOOLS REQUIRED

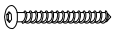


STEP 7

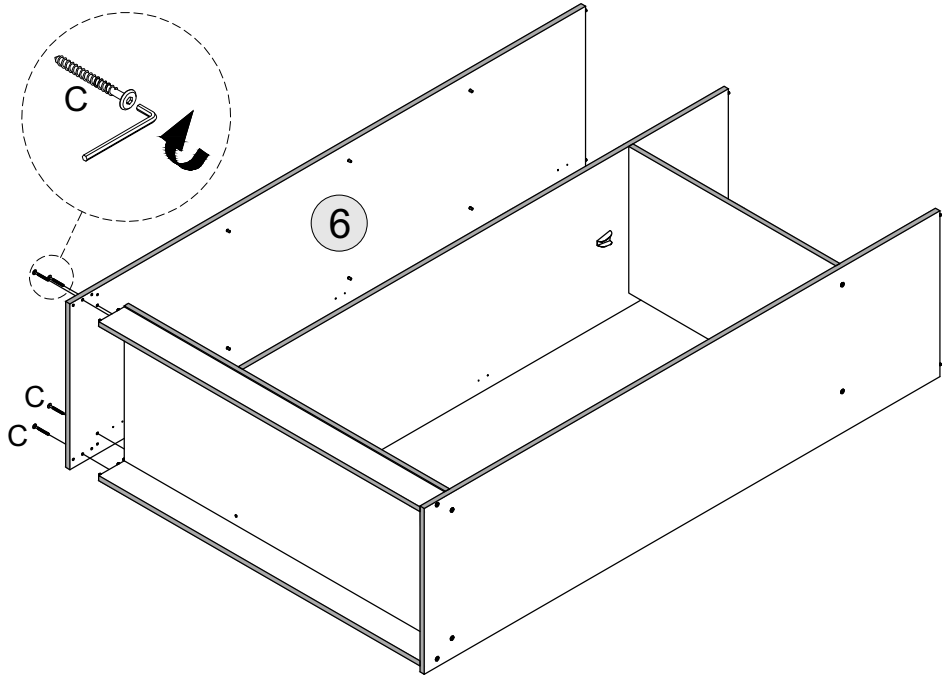
6 - SIDE PANEL - RIGHT x1



HARDWARE REQUIRED

C  04

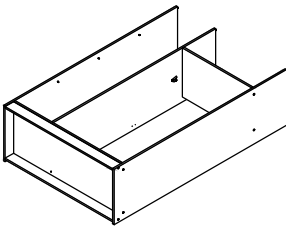
TOOLS REQUIRED



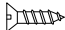
STEP 8

PARTS REQUIRED


7 - TOP PANEL x1



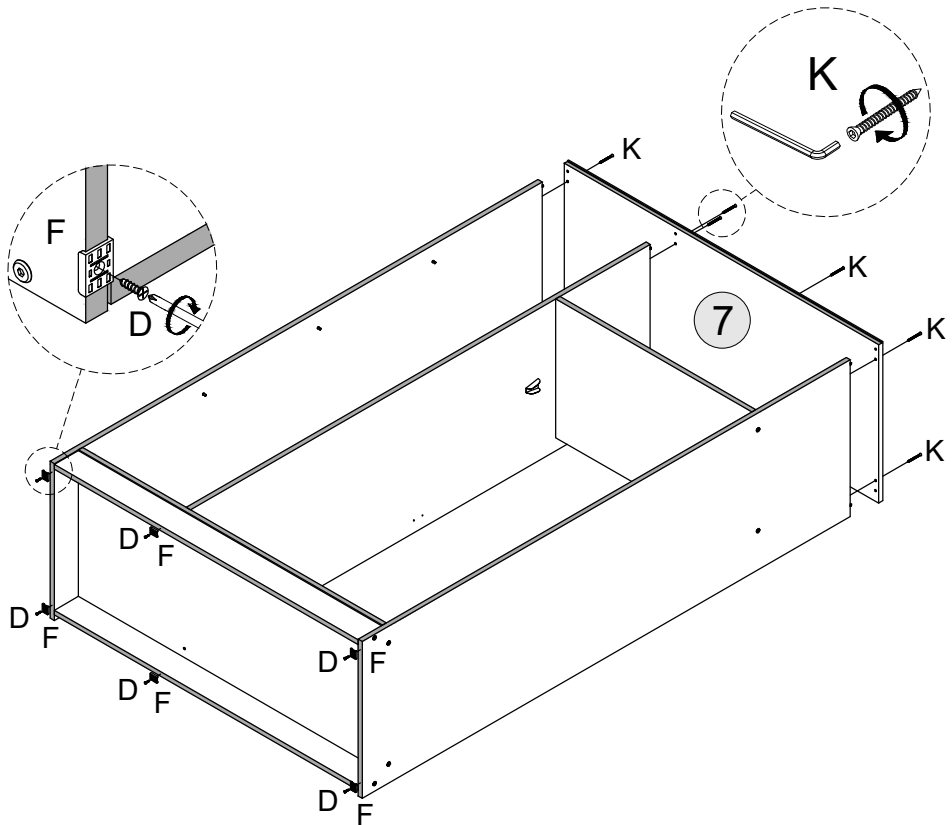
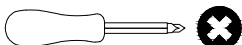
HARDWARE REQUIRED

D  06

F  06

K  06

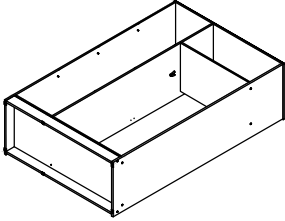
TOOLS REQUIRED



STEP 9

PARTS REQUIRED

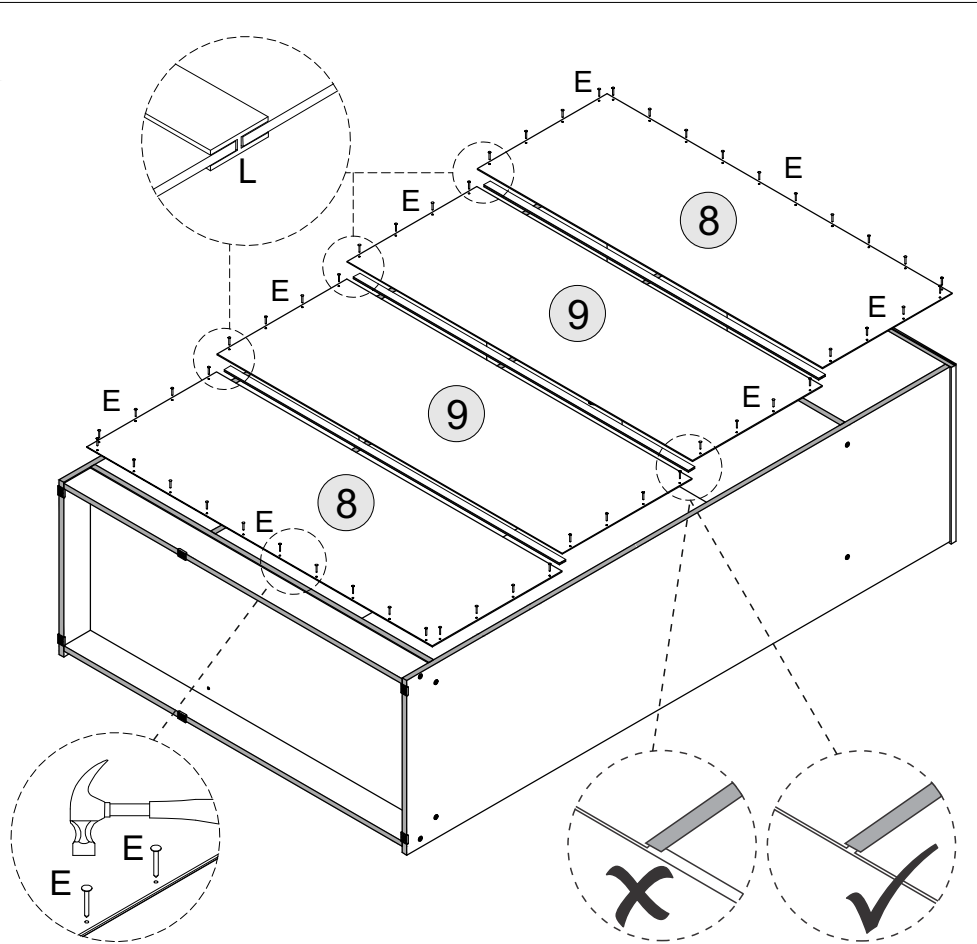
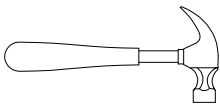
8 - BACK PANEL 1	x2
9 - BACK PANEL 2	x2



HARDWARE REQUIRED

E		52
L		03

TOOLS REQUIRED



STEP 10

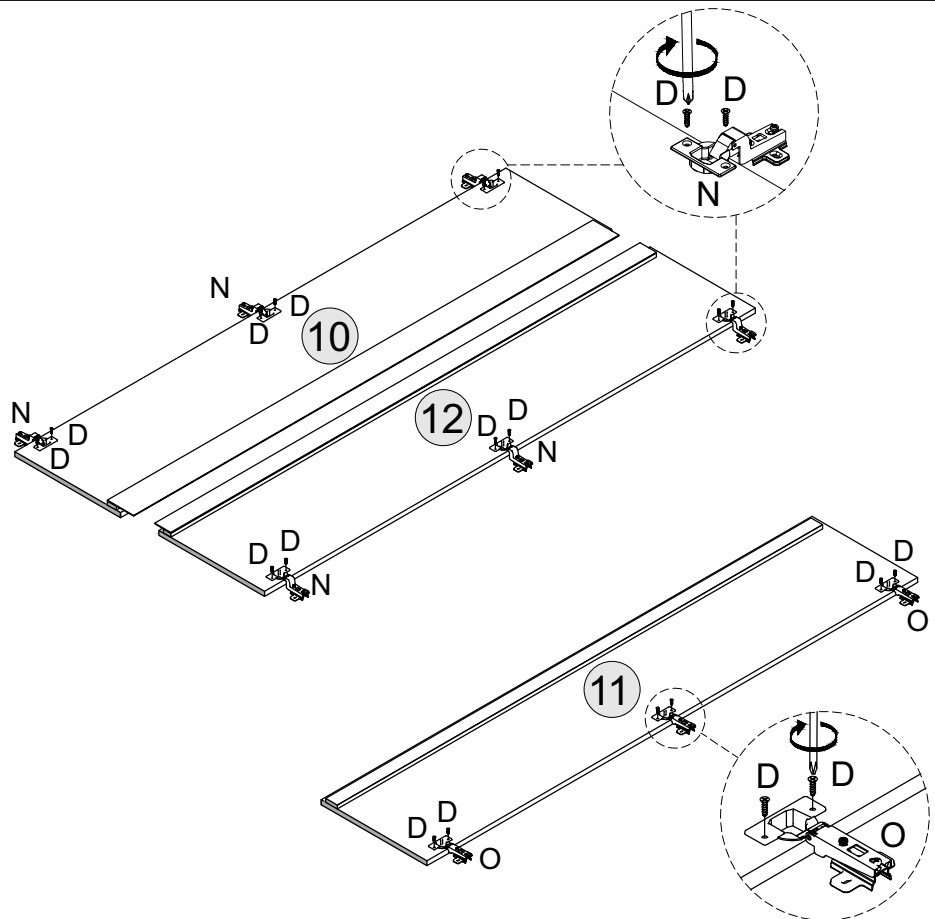
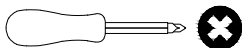
PARTS REQUIRED

10 - DOOR - LEFT	x1
11 - DOOR - CENTRE	x1
12 - DOOR - RIGHT	x1

HARDWARE REQUIRED

D		18
N		06
O		03

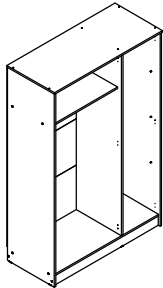
TOOLS REQUIRED




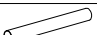
STEP 11

PARTS REQUIRED

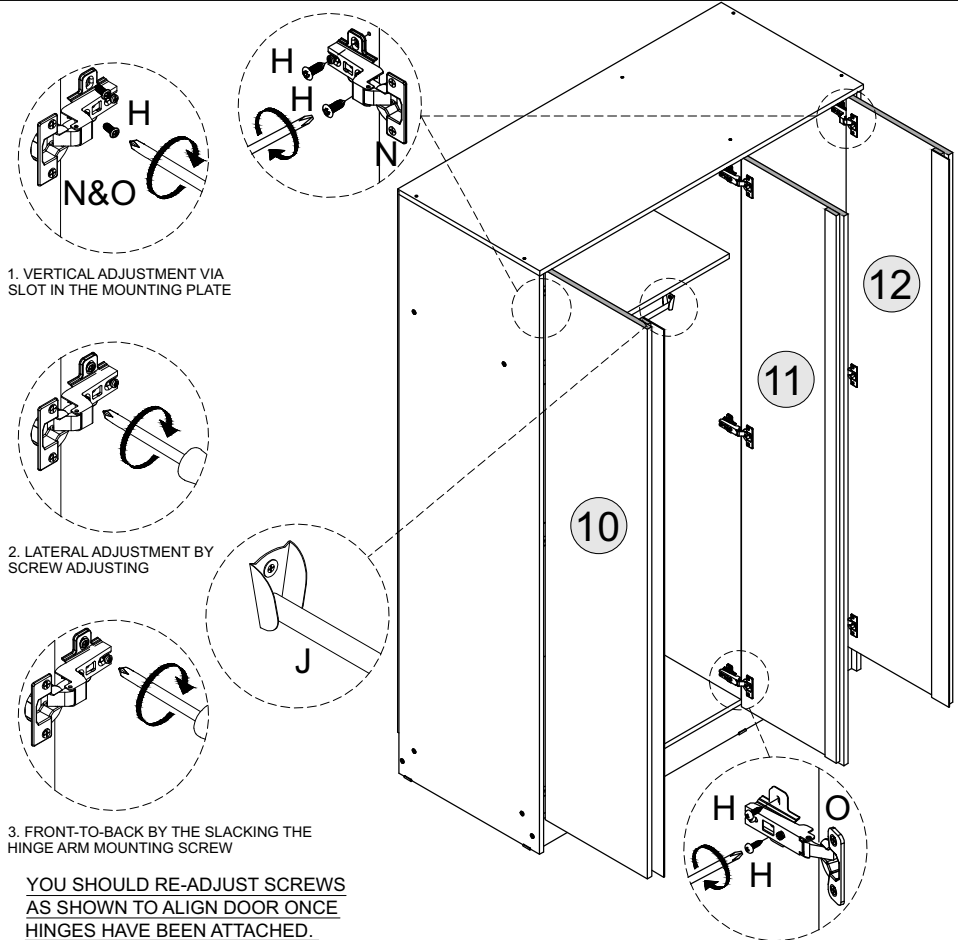
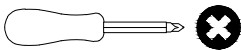
10 - DOOR - LEFT	x1
11 - DOOR - CENTRE	x1
12 - DOOR - RIGHT	x1



HARDWARE REQUIRED

H		18
J		01

TOOLS REQUIRED



1. VERTICAL ADJUSTMENT VIA SLOT IN THE MOUNTING PLATE

2. LATERAL ADJUSTMENT BY SCREW ADJUSTING

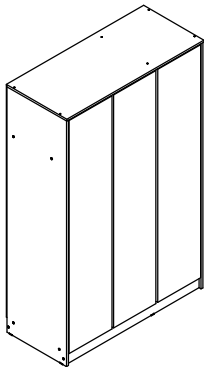
3. FRONT-TO-BACK BY THE SLACKING THE HINGE ARM MOUNTING SCREW

YOU SHOULD RE-ADJUST SCREWS AS SHOWN TO ALIGN DOOR ONCE HINGES HAVE BEEN ATTACHED.

STEP 12

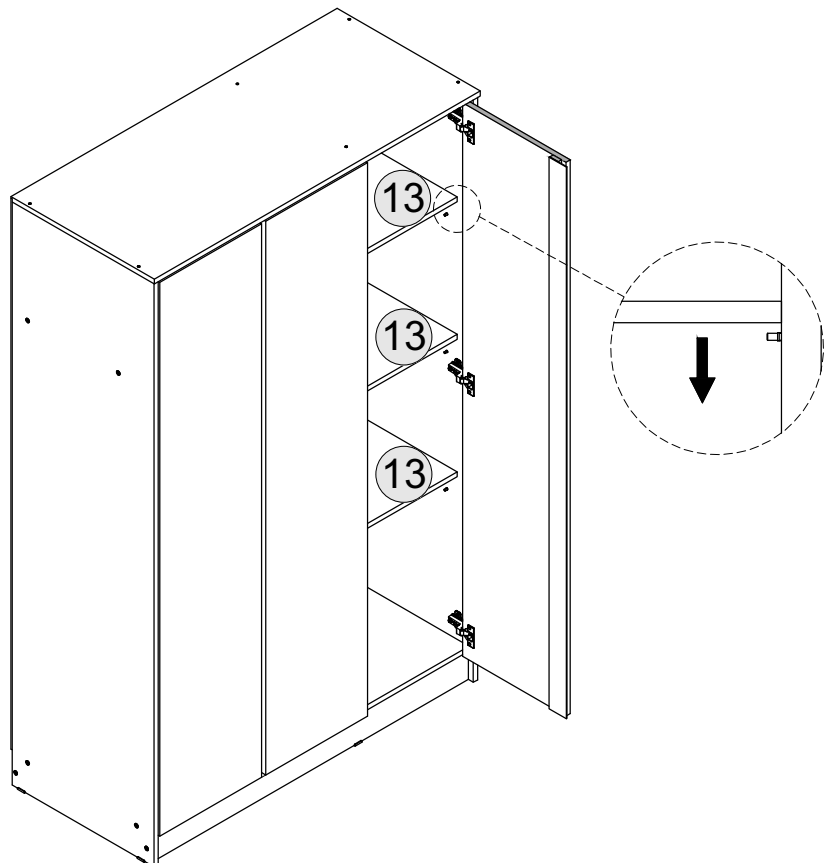
PARTS REQUIRED

13 - SMALL SHELF PANEL	x3
------------------------	----



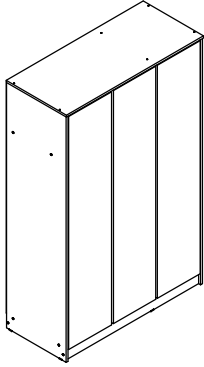
HARDWARE REQUIRED

TOOLS REQUIRED



STEP 13

PART REQUIRED



HARDWARE REQUIRED



TOOLS REQUIRED



WARNING

Serious or fatal injuries can occur from furniture tipping over. To prevent the furniture from tipping over we recommend that it is permanently fixed to the wall.

Wall fixings are not supplied with this product as different wall materials require different types of fixing devices. Please make sure you use fixings suitable for the walls in your home.

