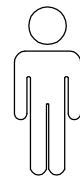
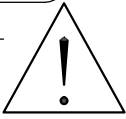
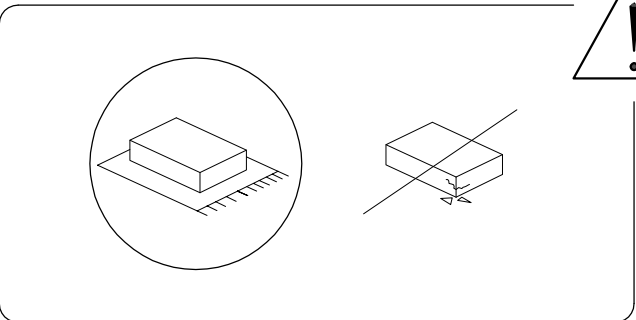
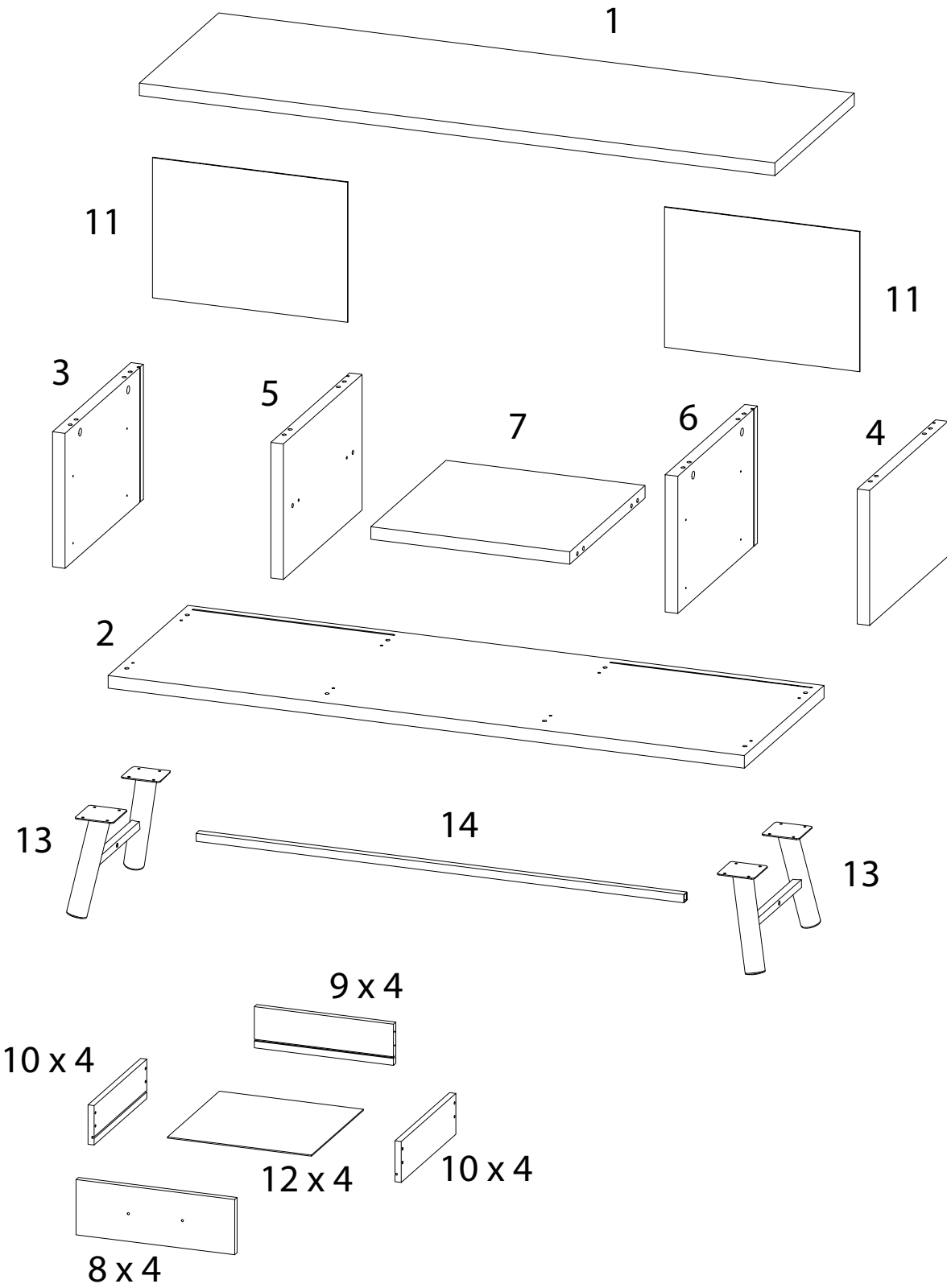
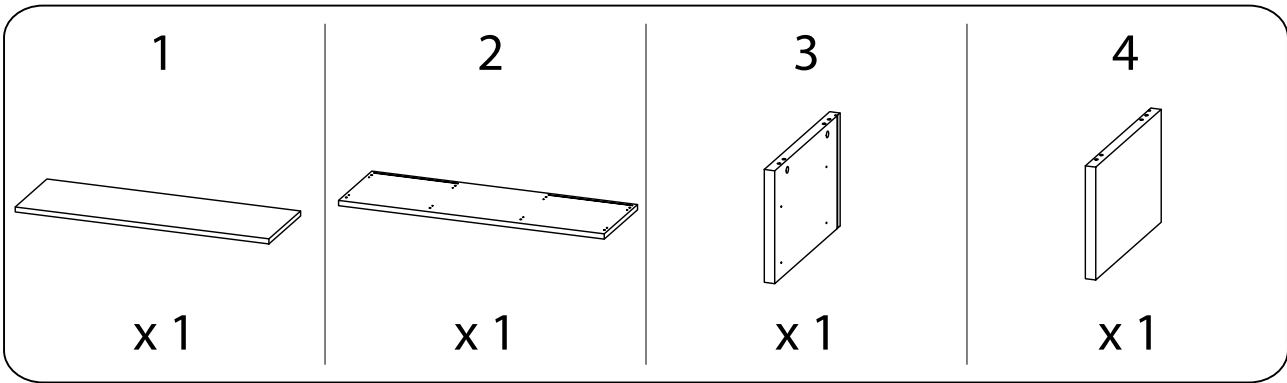


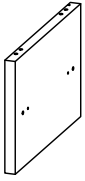
60'



2

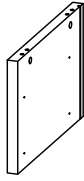


5



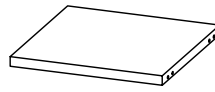
x 1

6



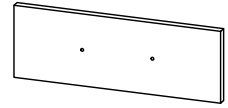
x 1

7



x 1

8



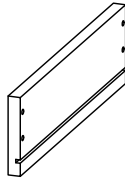
x 4

9



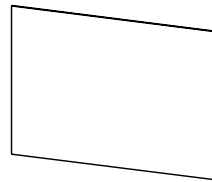
x 4

10



x 8

11



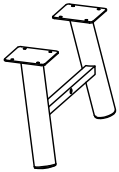
x 2

12



x 4

13



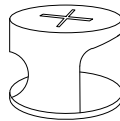
x 2

14



x 1

A1



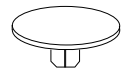
x 12

A2



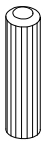
x 12

A3



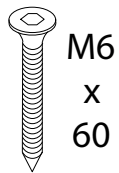
x 12

B



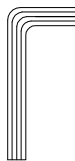
x 20

C



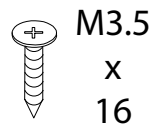
x 8

D



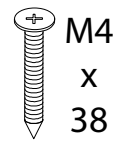
x 1

E



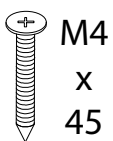
x 64

F



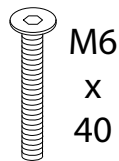
x 32

G



x 8

H



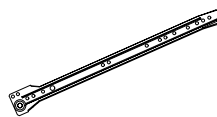
x 2

I



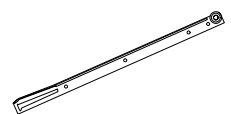
x 4

J1



x 8

J2



x 8

1

1

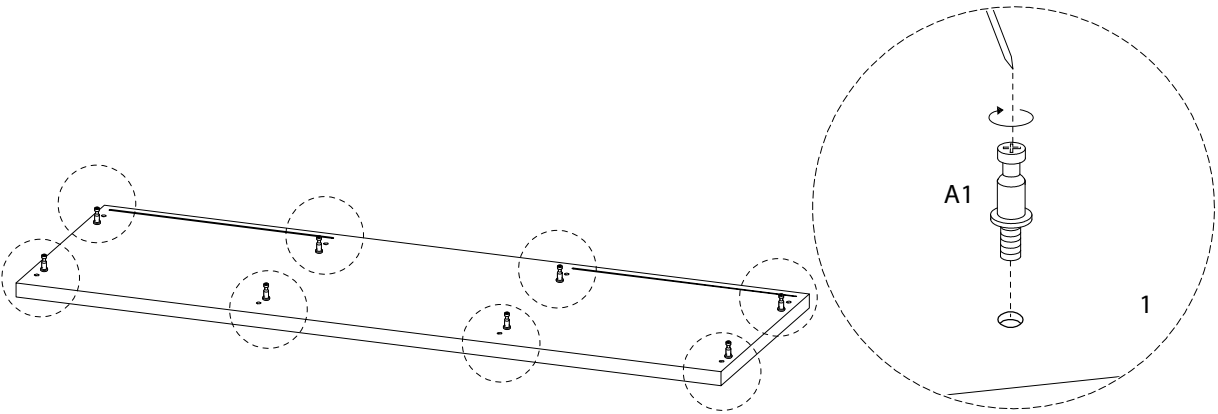


x 1

A2



x 8



2

5



x 1

A2

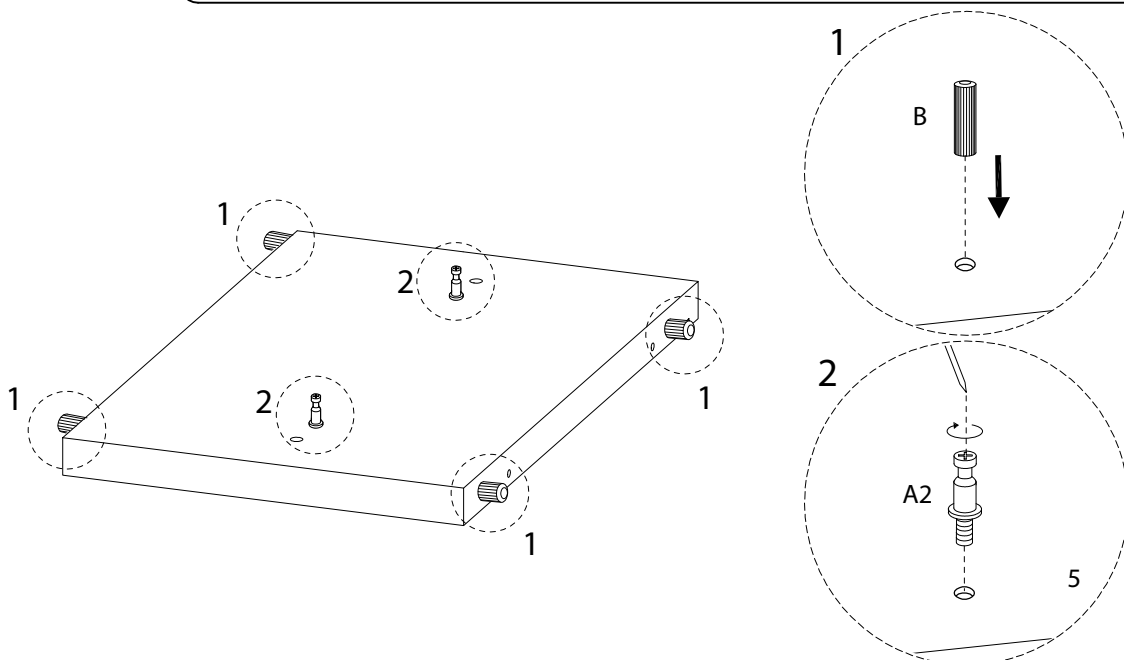


x 2

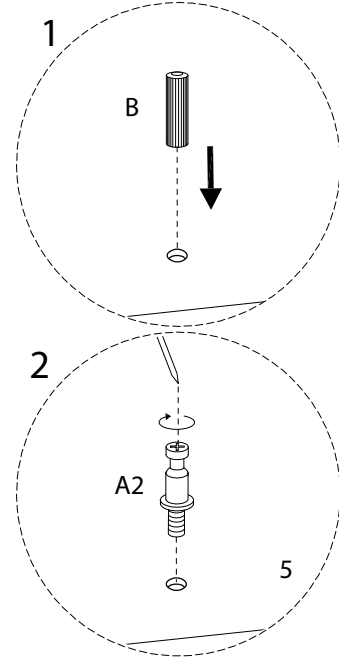
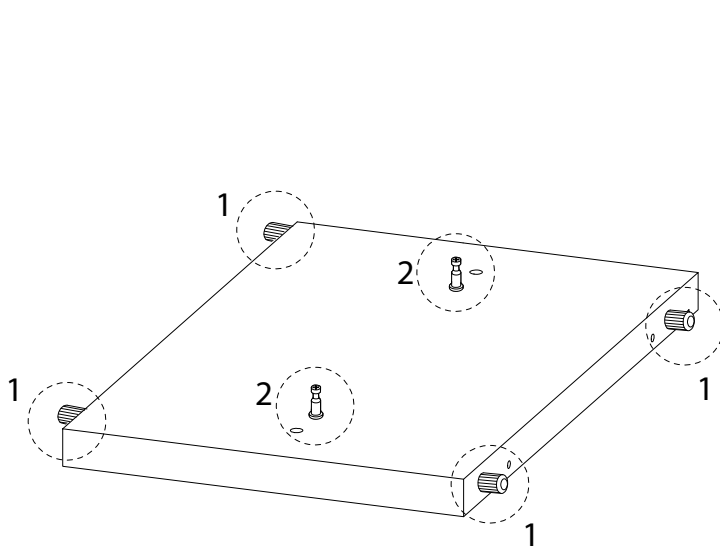
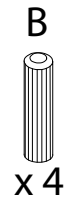
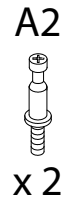
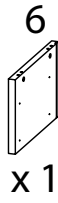
B



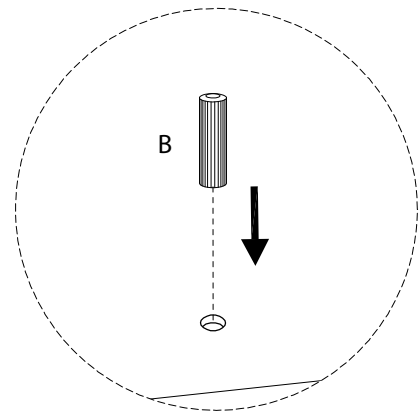
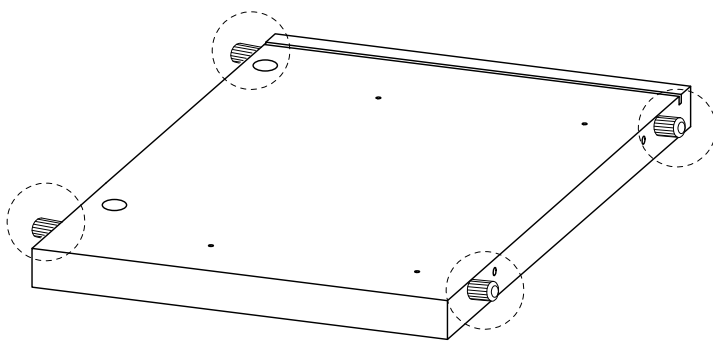
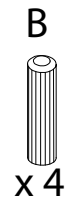
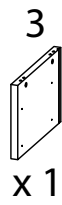
x 4



3

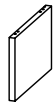


4



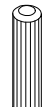
5

4

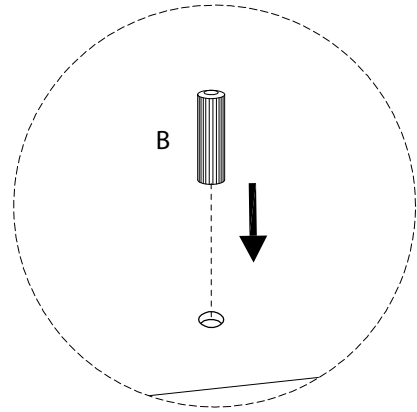
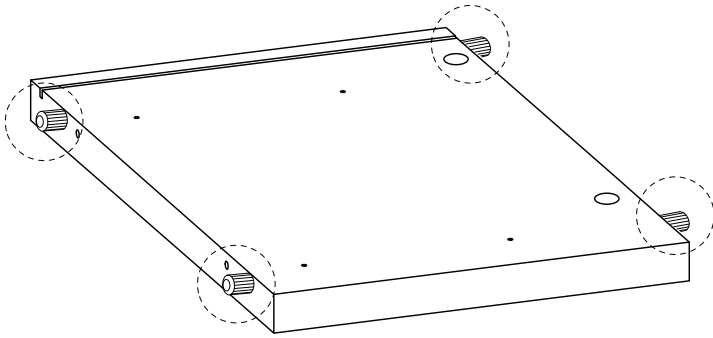


x 1

B

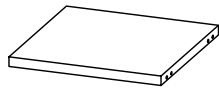


x 4



6

7

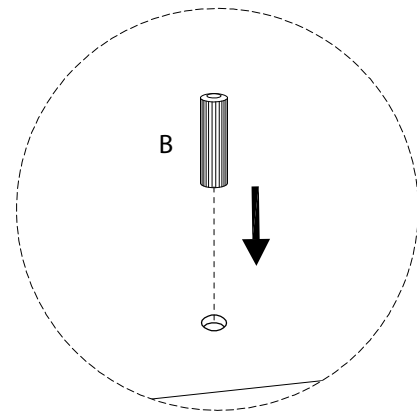
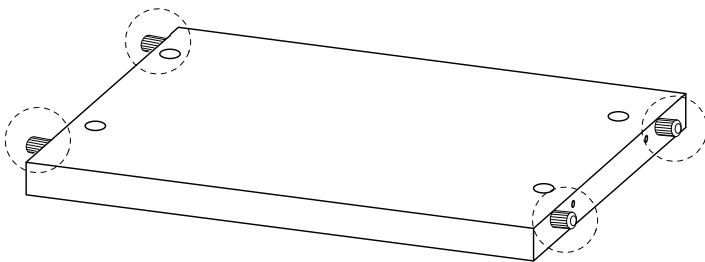


x 1

B

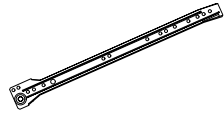


x 4



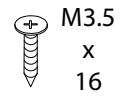
7

J1

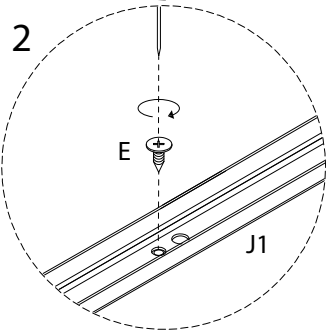
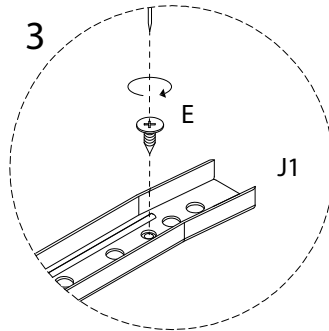
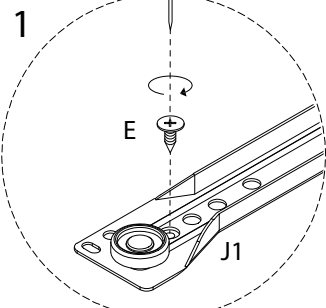
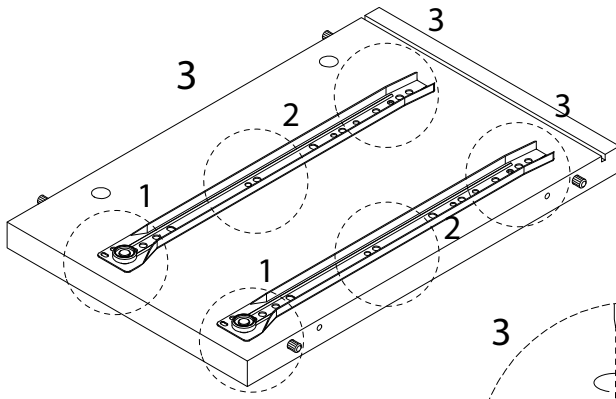


x 2

E

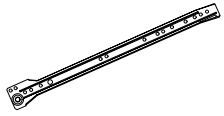


x 6



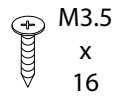
8

J1

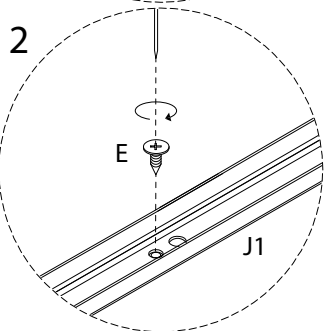
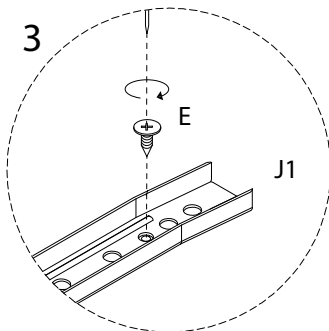
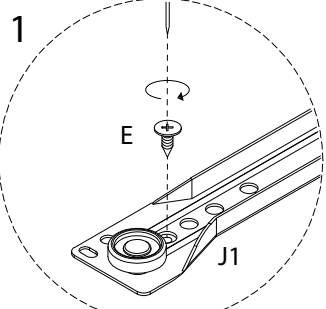
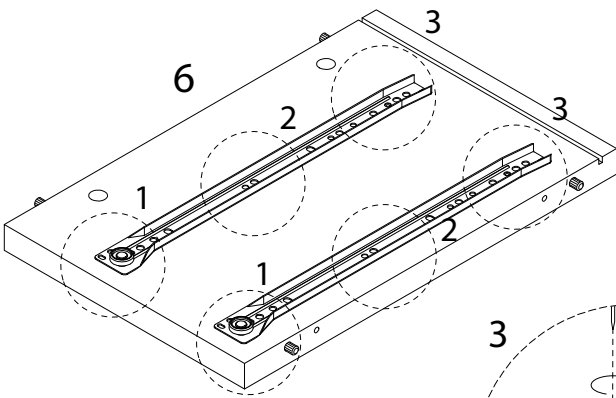


x 2

E

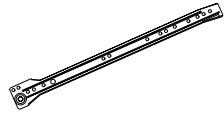


x 6



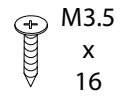
9

J1

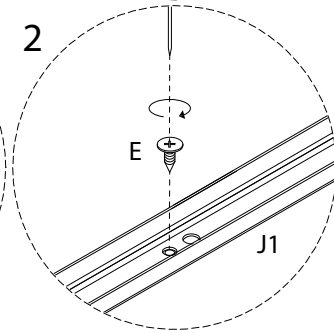
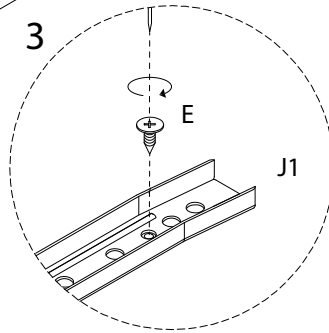
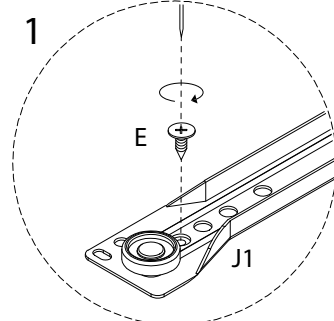
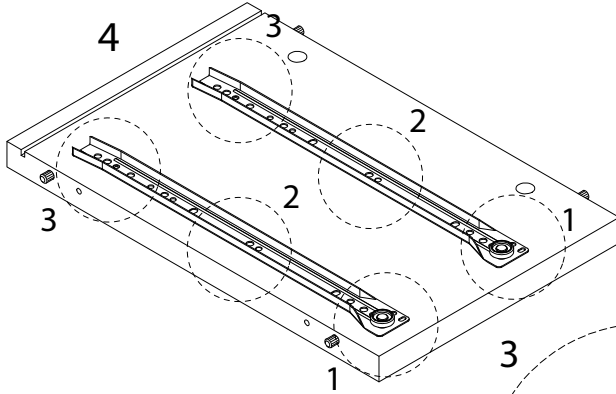


x 2

E

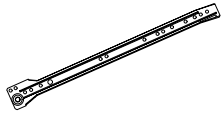


x 6



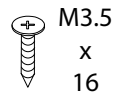
10

J1

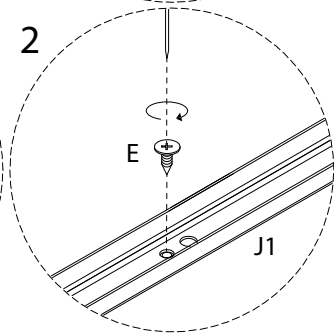
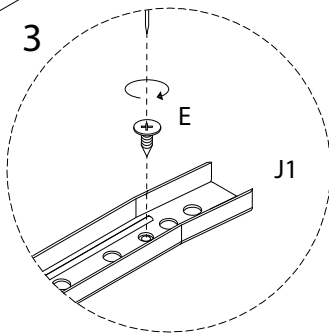
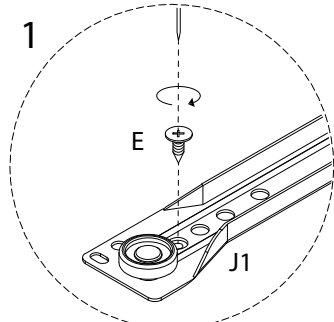
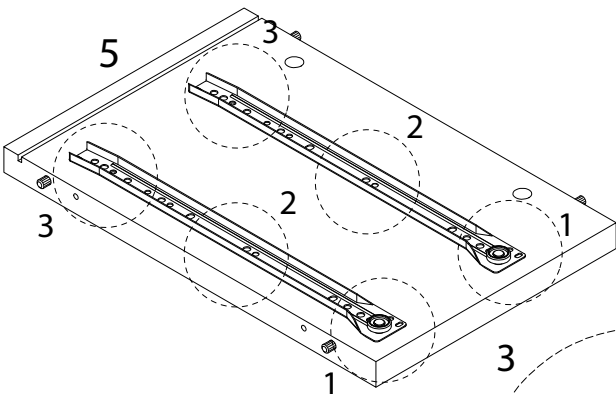


x 2

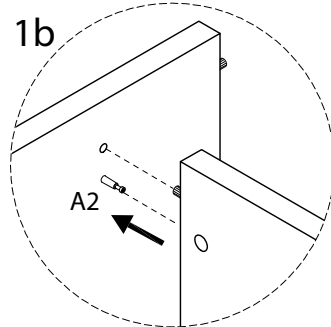
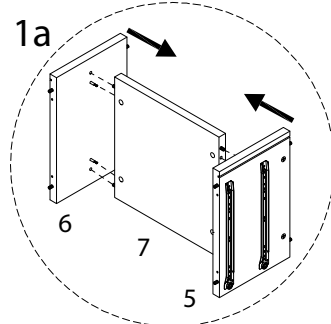
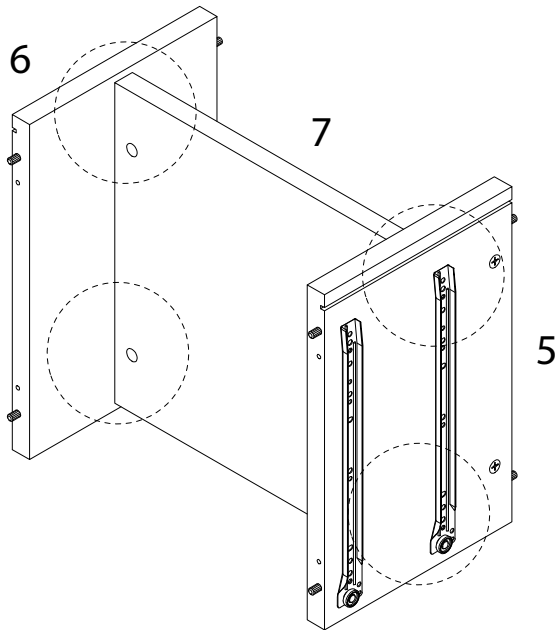
E



x 6



11



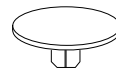
12

A1

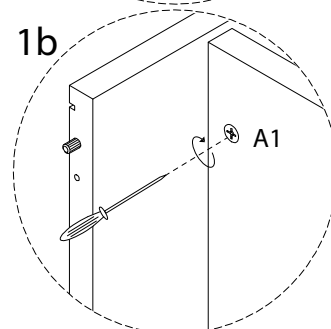
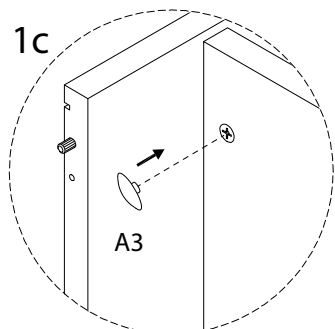
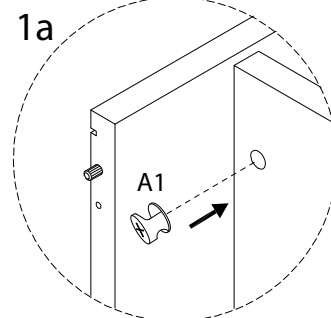
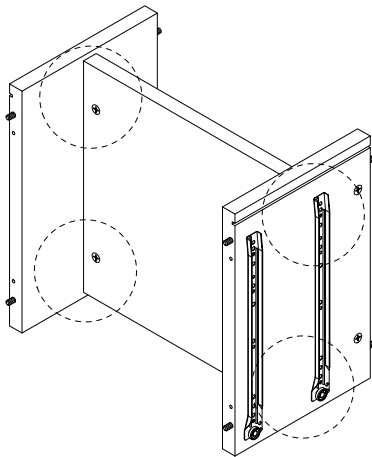


x 4

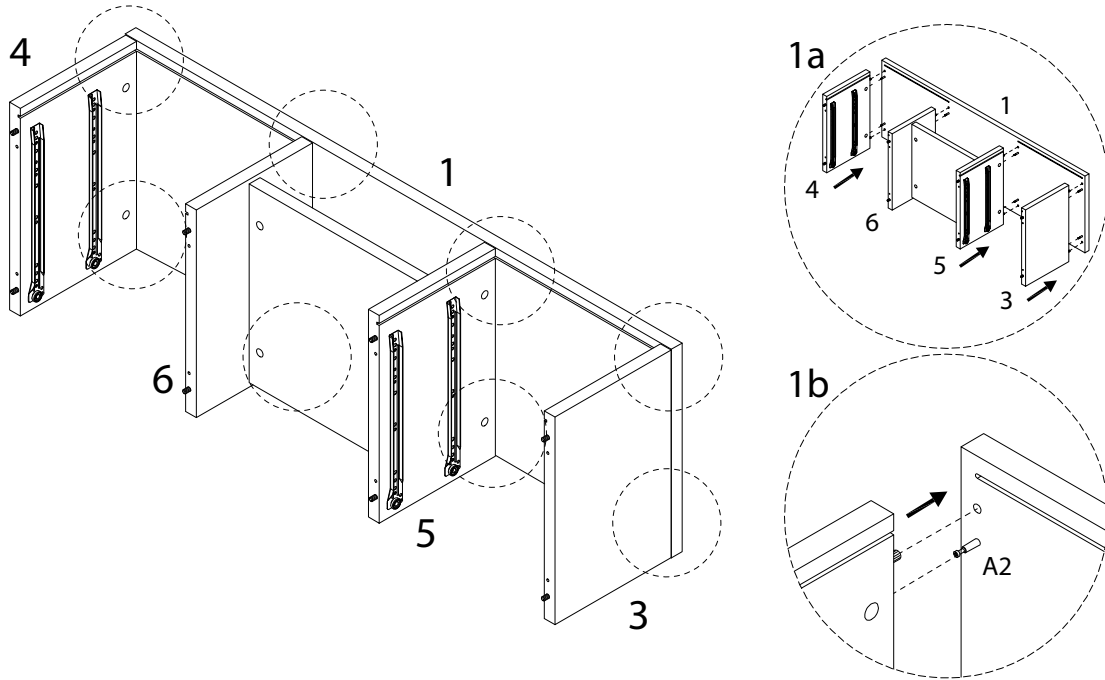
A3



x 4



13



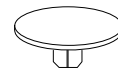
14

A1

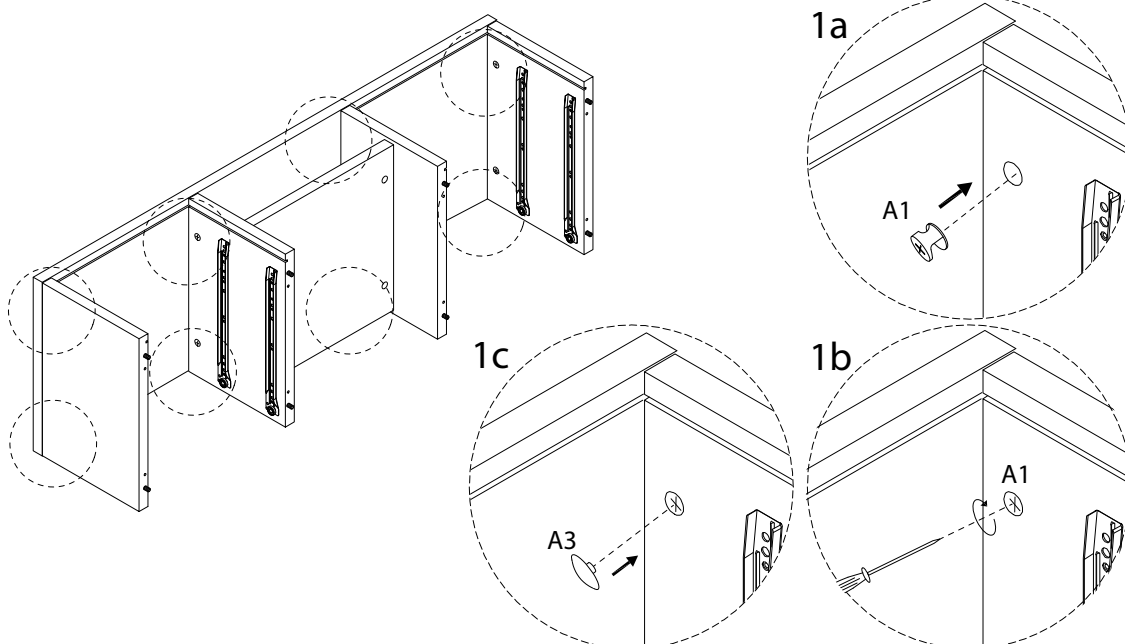


x 8

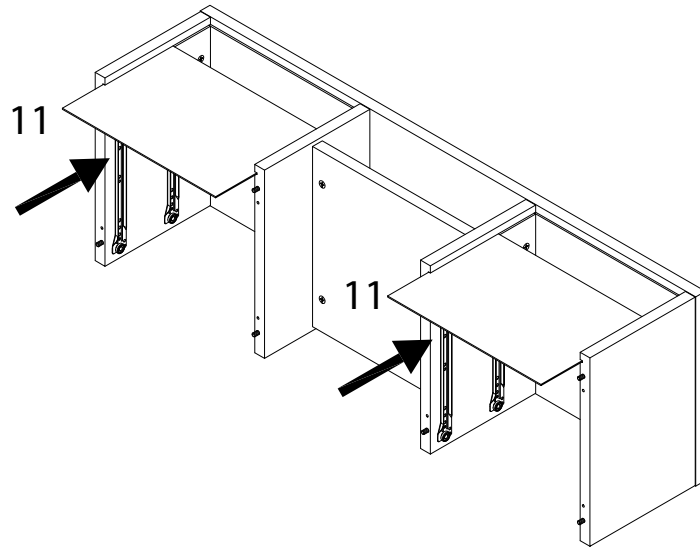
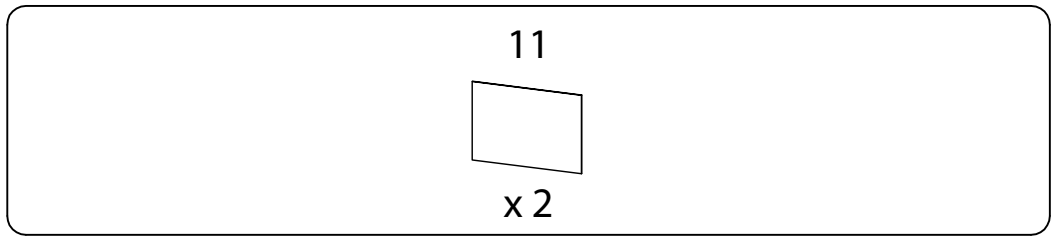
A3



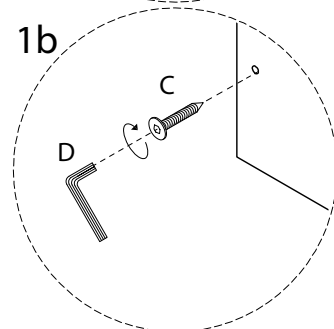
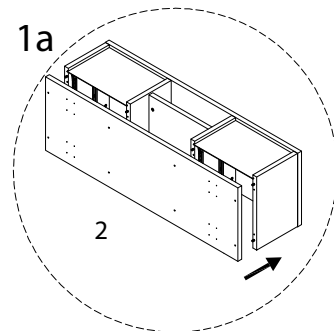
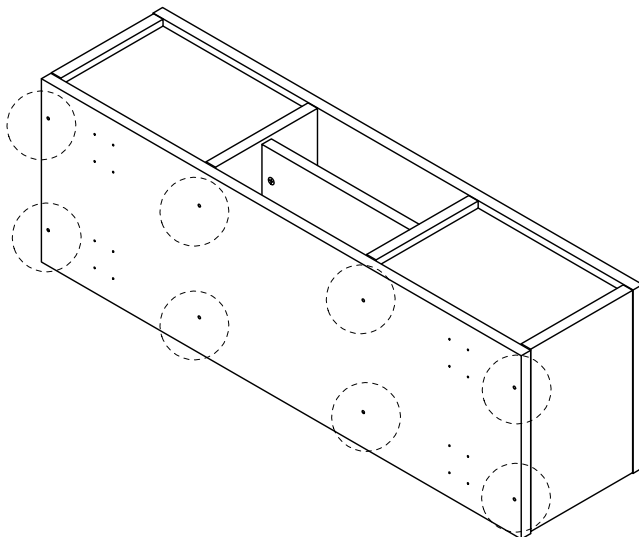
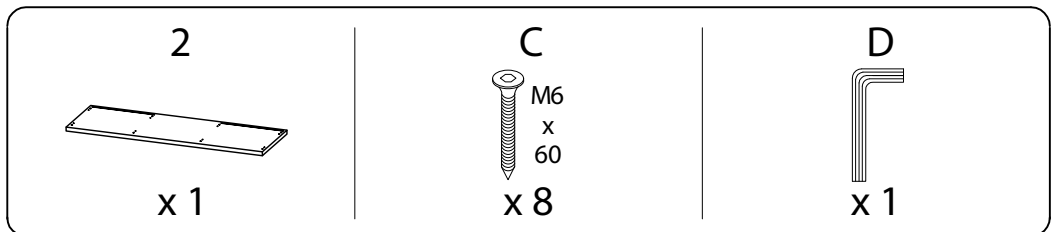
x 8



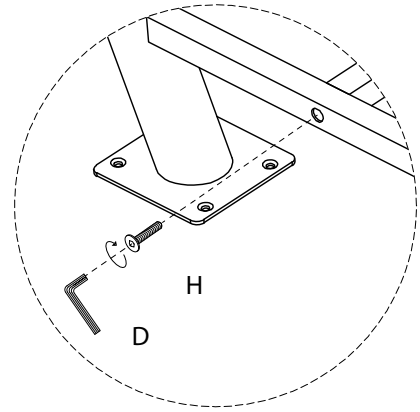
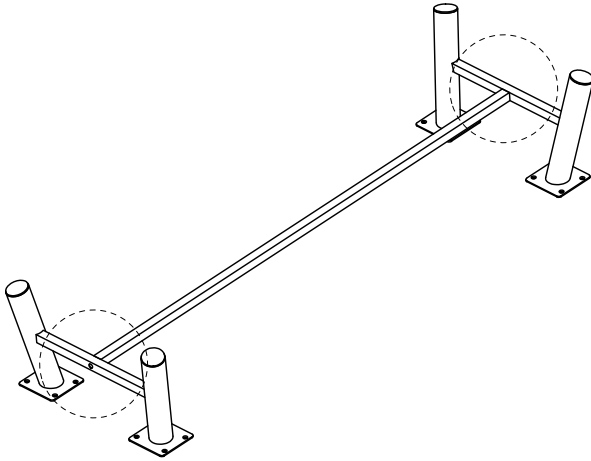
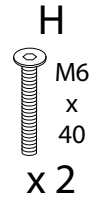
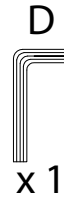
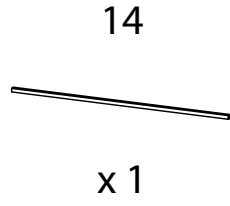
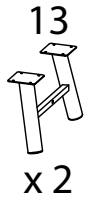
15



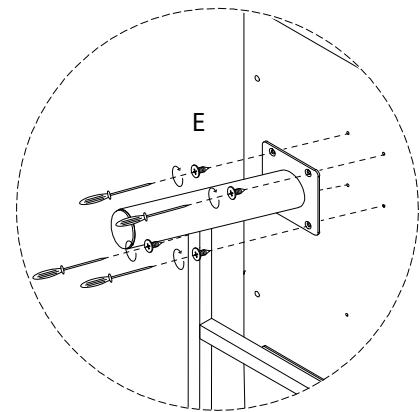
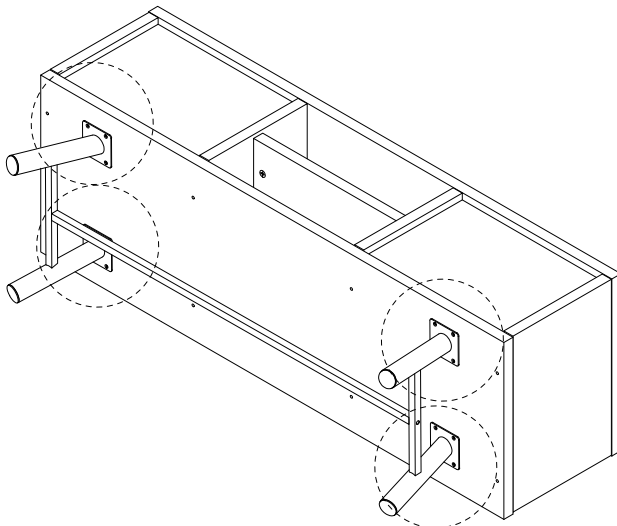
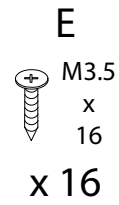
16



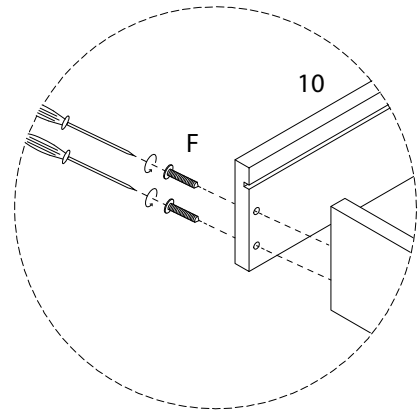
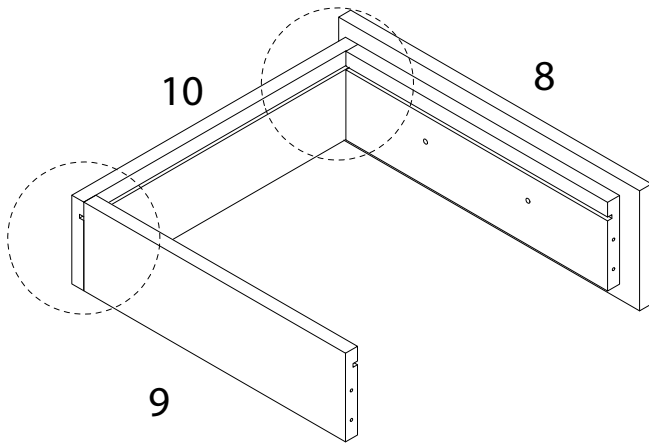
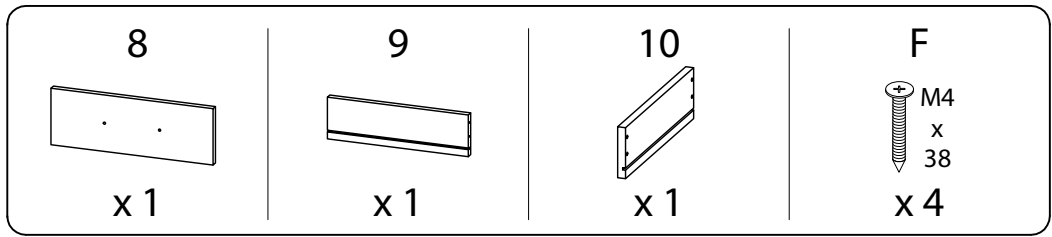
17



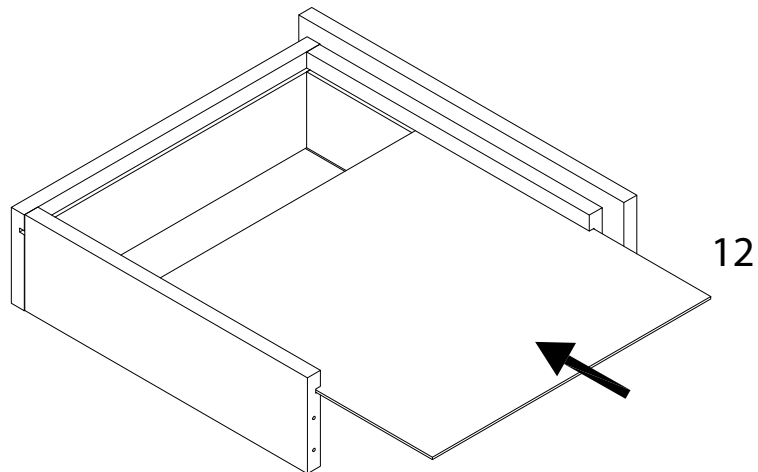
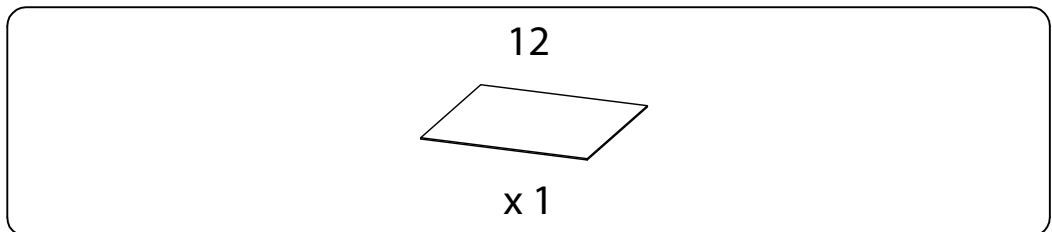
18



19 x 4

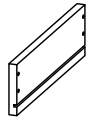


20 x 4



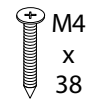
21 x 4

10

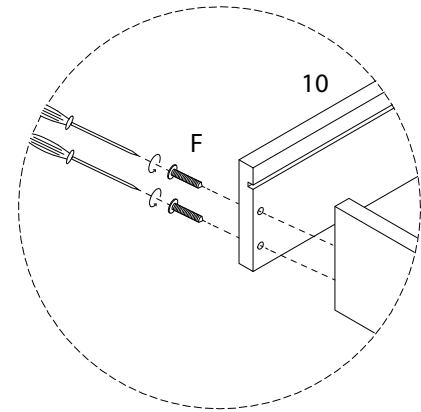
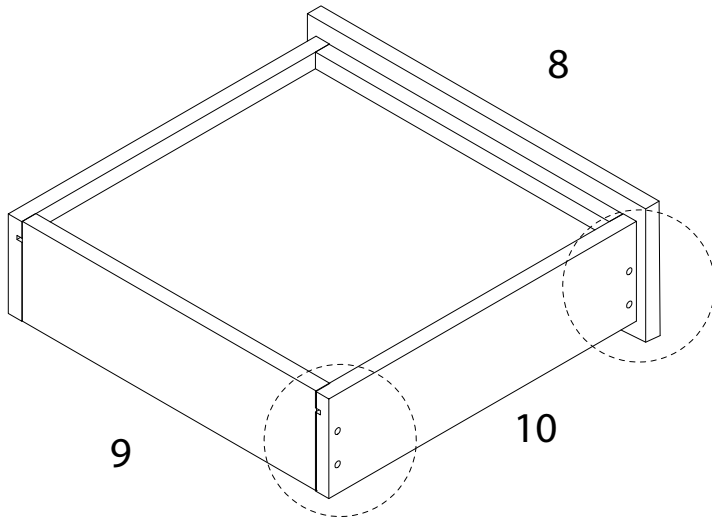


x 1

F

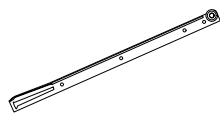


x 4



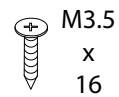
22 x 4

J2

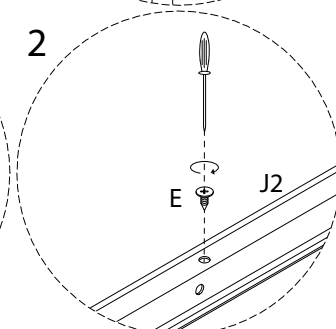
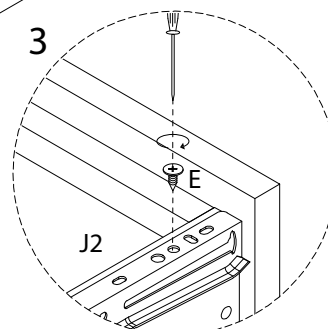
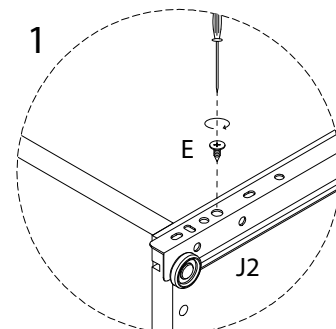
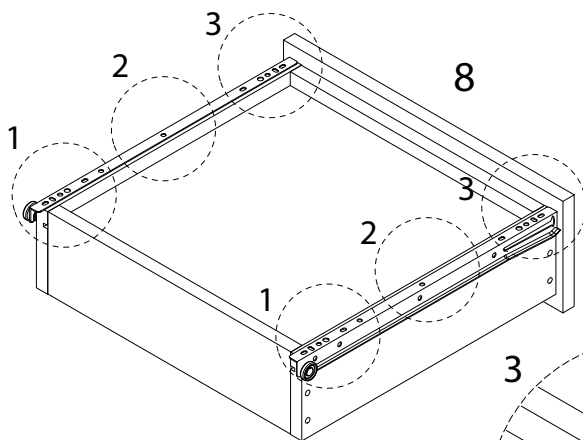


x 2


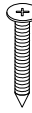
E

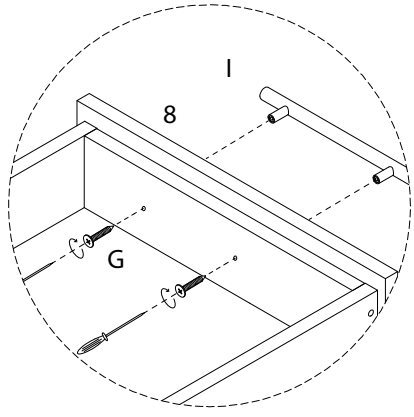
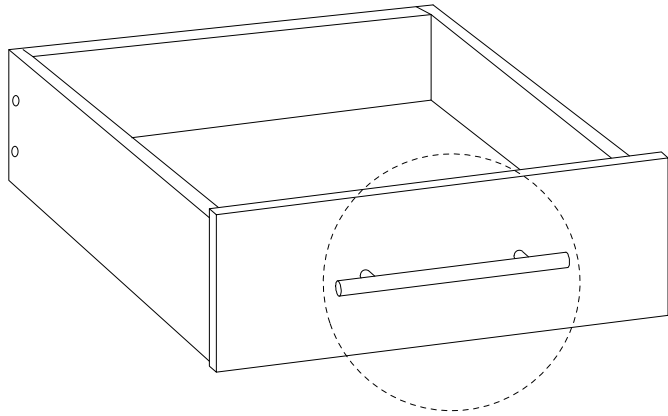


x 6



23 x 4

I  x 1	G  M4 x 45 x 2
---	--



24

