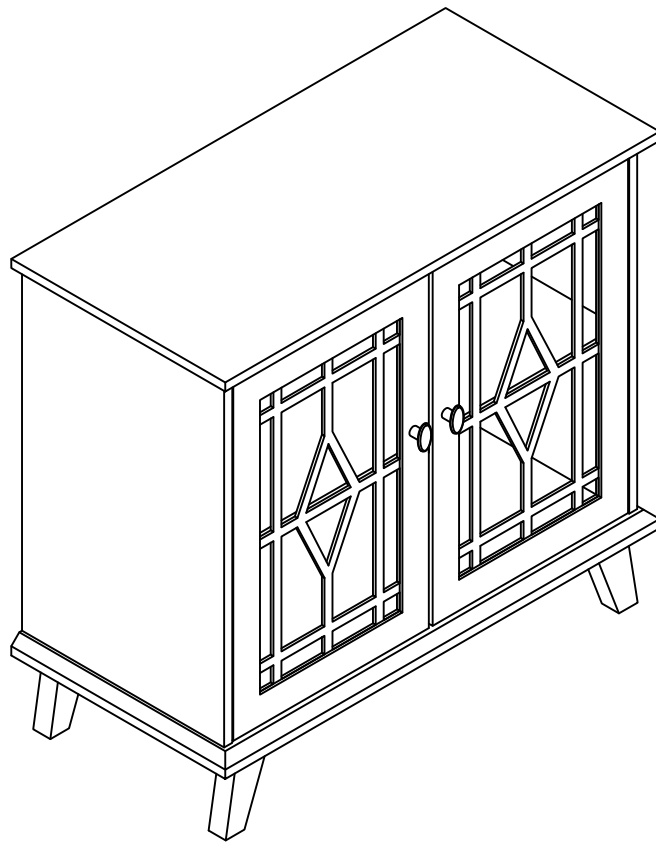


GMG-Z01-WH
Assembly Instructions

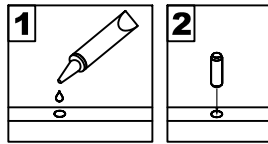


If you find any damage after opening, please be sure to take pictures of the damage parts and contact us. We will help you solve the problem as soon as possible.

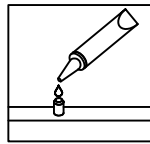
Thank You!

General Assembly Guidelines

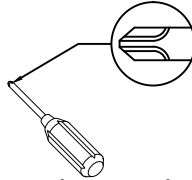
- I. Ensure that all parts and hardware are available before beginning assembly.
- II. Follow each step carefully to ensure the proper assembly of this product.
- III. Two people are recommended for ease in the assembly of this product.
- IV. The three main types of hardware used to assemble this product are: wood dowels, screws and bolts.
- V. The provided glue is to secure wood dowels in place. When first inserting dowels, locate the appropriate hole for the dowel, place a small amount of glue in the hole and insert the dowel. Wipe away excess glue immediately.



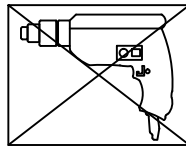
In future assembly steps when dowels are necessary to attach assembly parts together, place a small amount of glue on the end of the dowel before attaching parts together. Wipe away excess glue immediately.



- VI. A Phillips head screwdriver is required for the assembly of this product.

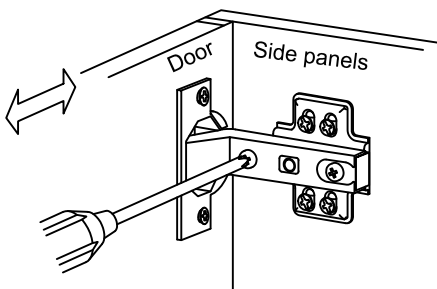


- VII. Power tools should not be used to assemble this product.

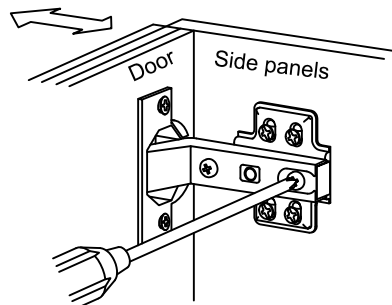


- VIII. Drill may be needed for securing product to wall.

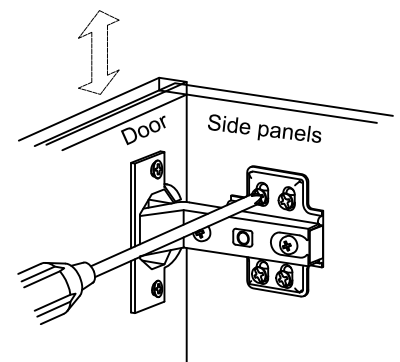
- IX. Concealed hinges are three-way adjustable.



Horizontal
by screw adjustment

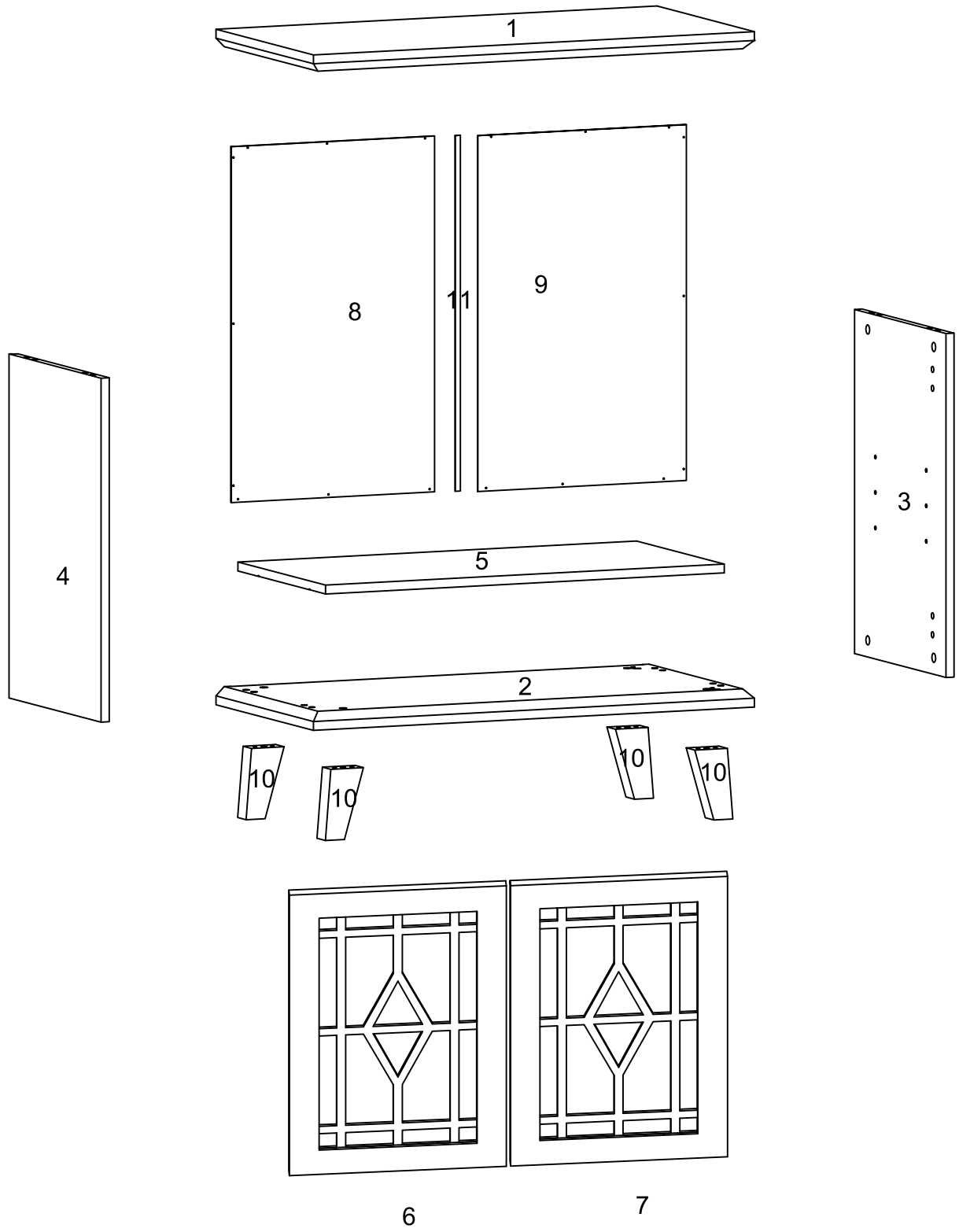


In-and-Out
by loosening the hinge-arm
mounting screw or via cam
adjustment


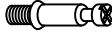

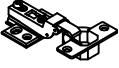
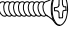




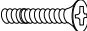


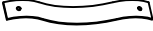
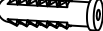






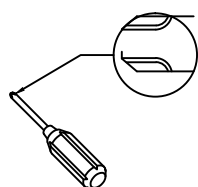
Vertical
Via slots in the mounting
plate or via cam adjustment

Parts List



Hardware List

A		Ø8x30mm	Wooden dowel	8 pcs
B			Cam bolt	8 pcs
C		Ø15x9.5mm	Cam lock	8 pcs
D			Door Hinge	4 pcs
E		Ø4x12mm	Door hinge screw	24 pcs
F		Ø2.5x12mm	Screw	18 pcs
G		Ø5x5x16mm	Shelf support pin	4 pcs
H		Ø6x40mm	Bolt	4 pcs
I			Handle	2 pcs
J		Ø4x20mm	Screw	2 pcs
K			Sticker	8 pcs
L		Ø4x25	Screw	1 pcs
M			Plastic strap	1 pcs
N			Nut	1 pcs
O		Ø3x16	Screw	1 pcs
P				1 pcs
Q		Ø6x30mm	Wooden dowel	8 pcs
R		M4 mm	wrench	1 pcs

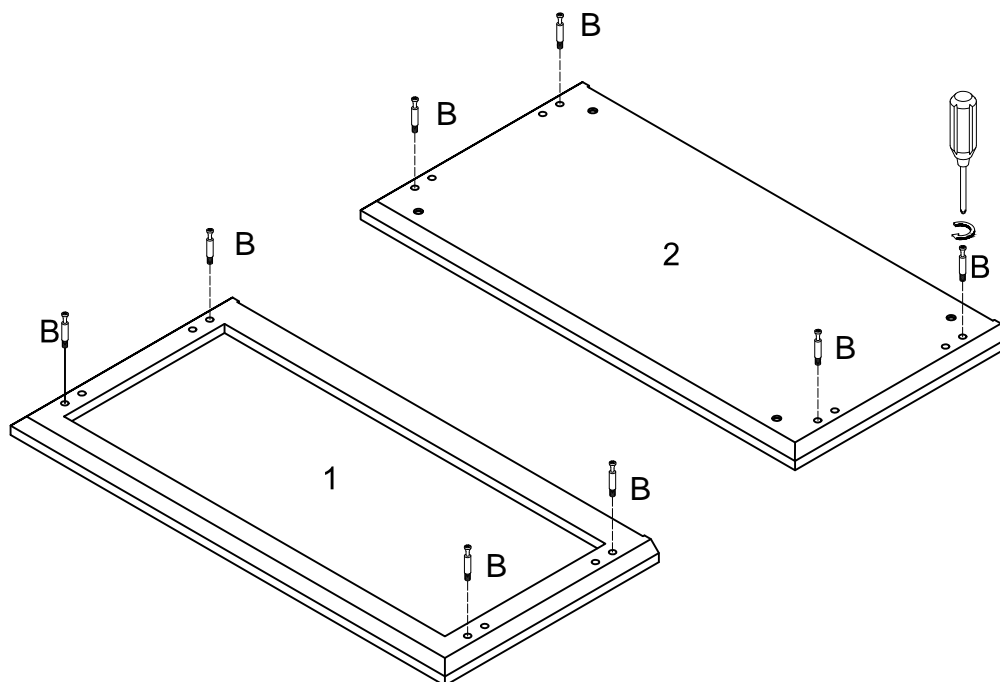


Philips head screwdriver required for assembly
(not included)

*The hardware quantities listed above are required for proper assembly.
Some extra hardware may also have been included.*


Step 1

B:  8 pcs

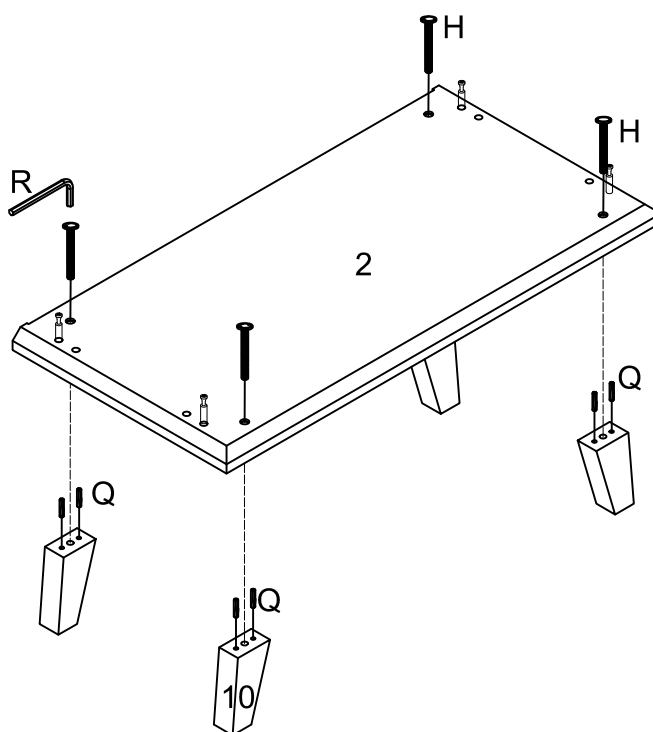


Secure cam bolt (B) into part (1) and part (2) with Philips head screwdriver as per diagram.

Step 2

H:  4 pcs

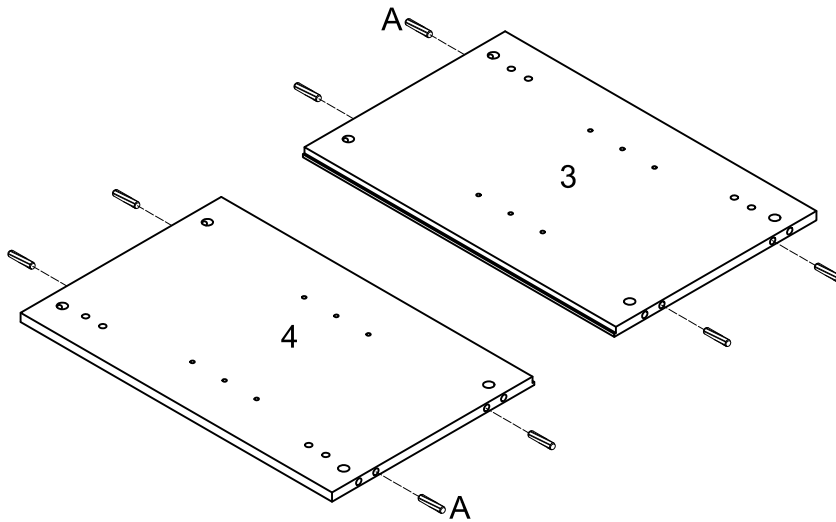
Q:  8 pcs



Insert wooden dowel (Q) into part (10). Using bolt (H) secure plate (2) to part (10) with hex key (R) as per diagram.

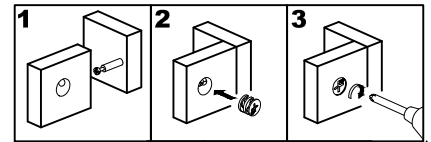
Step 3

A:  8 pcs

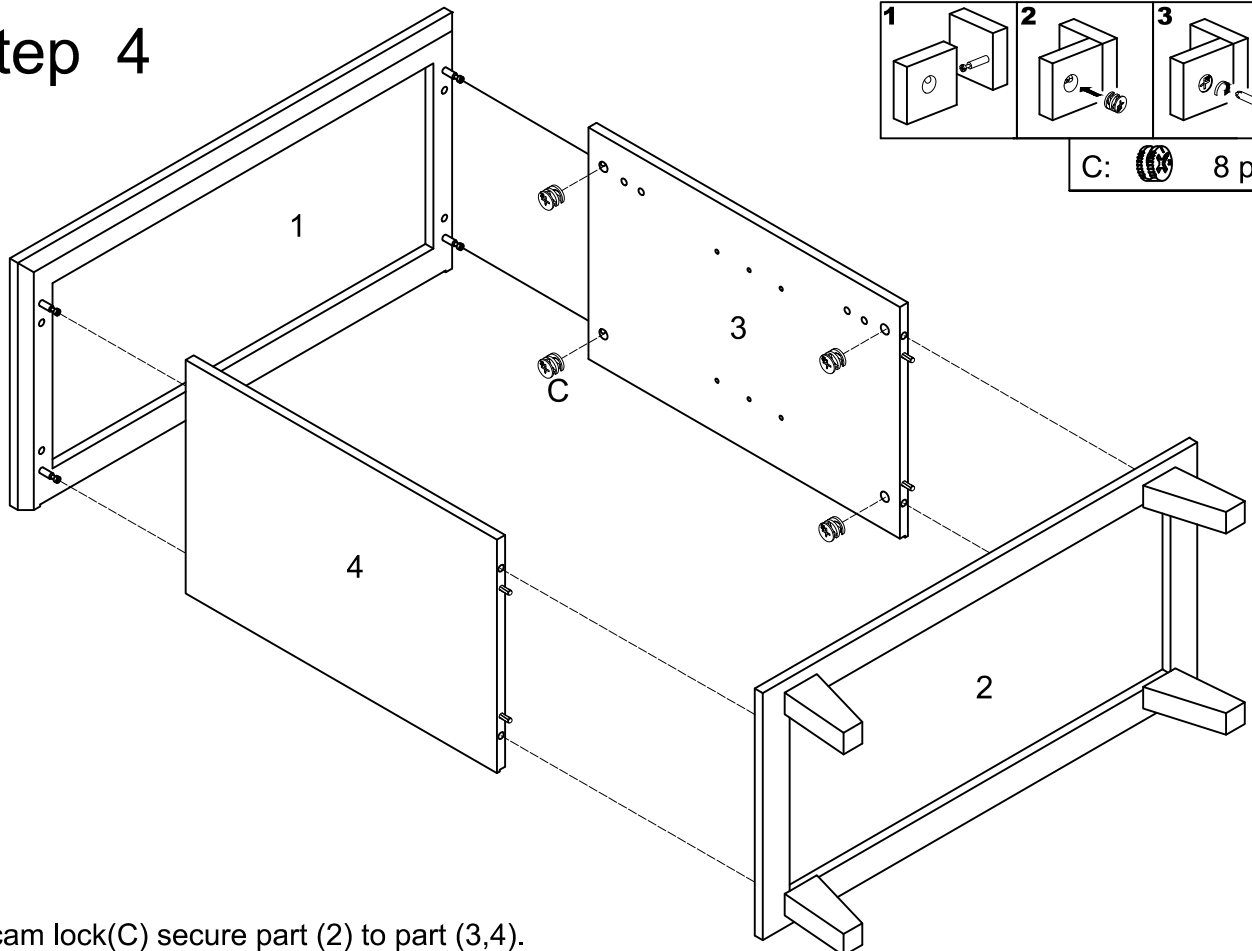


Insert wooden dowel (A) into parts (3,4) as per diagram.

Step 4




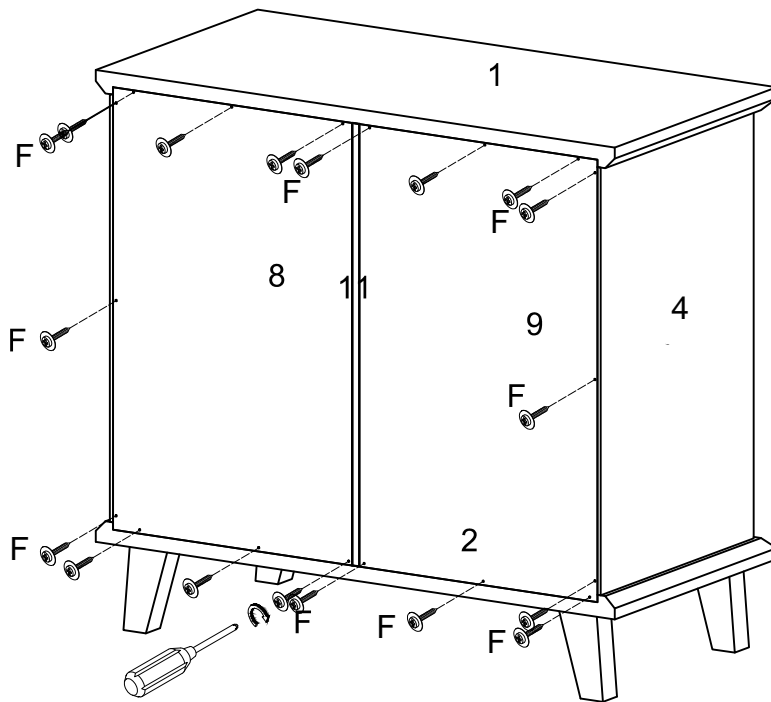
C:  8 pcs



Using cam lock(C) secure part (2) to part (3,4).
Using cam lock(C) secure part (1) to part (3,4) with Philips head screwdriver as per diagram.

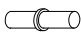
Step 5

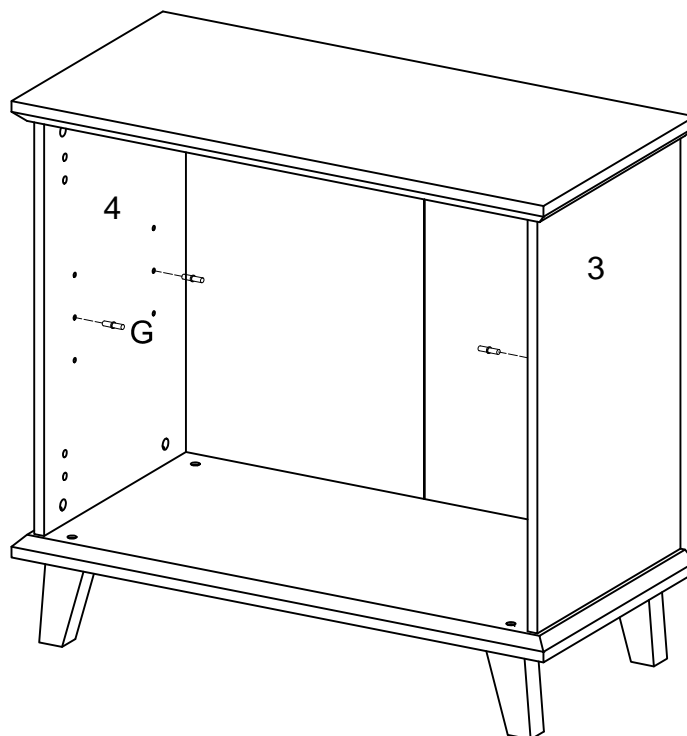
F:  18 pcs



Using screw(F) attach parts (8,11,9) to parts (1,2,3,4) with Philips head screwdriver as per diagram.

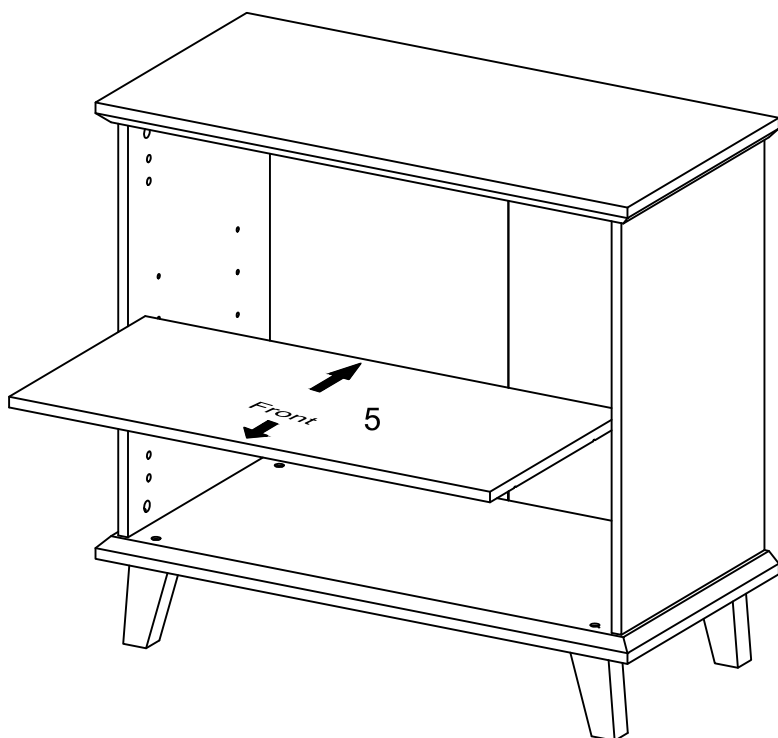
Step 6

G:  4 pcs







Insert shelf support pin (G) into part (3,4) as per diagram.
Make sure you place the four shelf support pins (G) in the same level. So the shelf is not tilted .

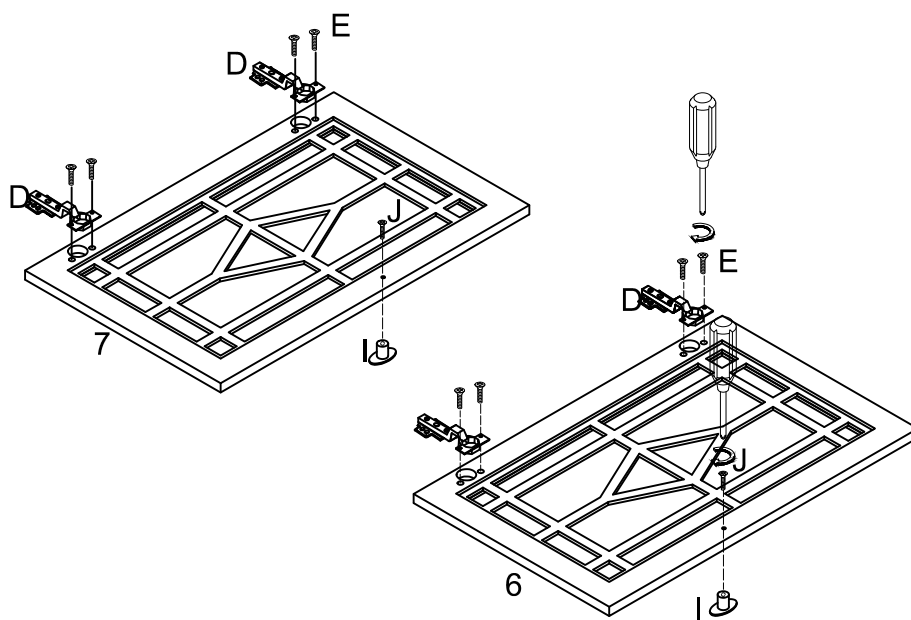
Step 7



Put part (5) into unit as per diagram.

Step 8

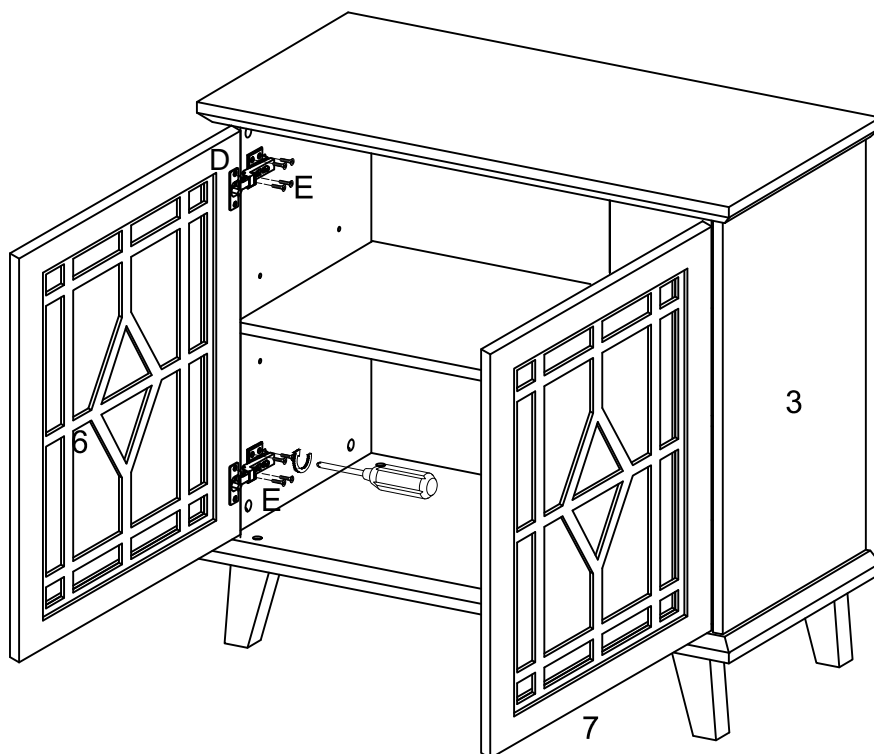
D:		4 pcs
E:		8 pcs
I:		2 pcs
J:		2 pcs



Using screw (E) attach Europe hinge (D) to parts (6,7) , then using handle bolt (J) secure handle (I) to parts (6,7) with Philips head screwdriver as per diagram.


Step 9

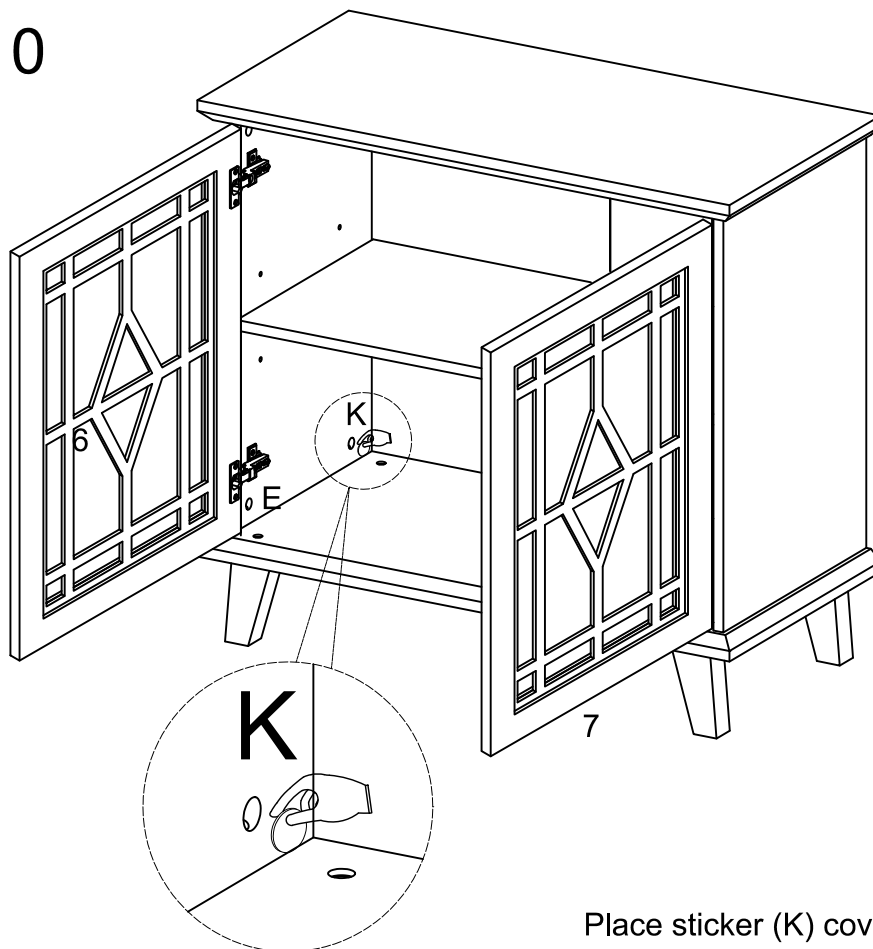
E:  16 pcs



Using screw (E) attach hinge (D) to part (3,4) with Philips head screwdriver as per diagram.

Step 10

K:  8 pcs

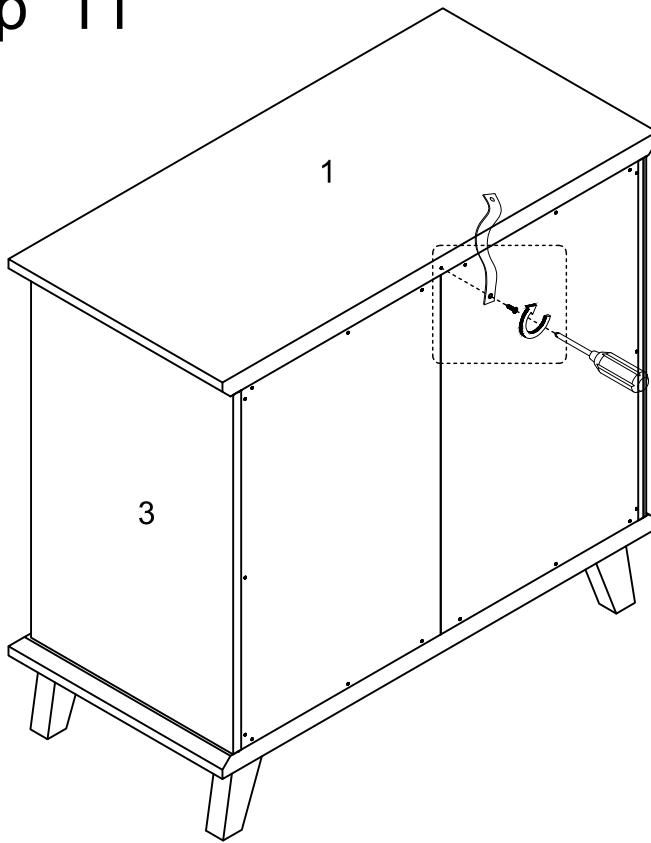


Place sticker (K) cover the holes.

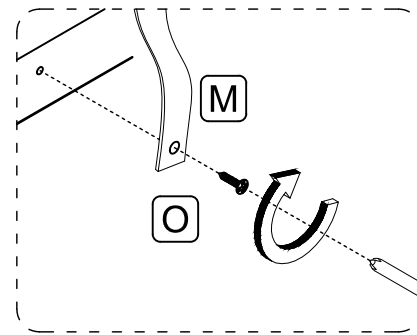
Step 11

M:  1 pcs

O:  1 pcs



Using screw (O) attach strap(M) to panel (1) with Philips head screwdrivers as per diagram.



Step 12

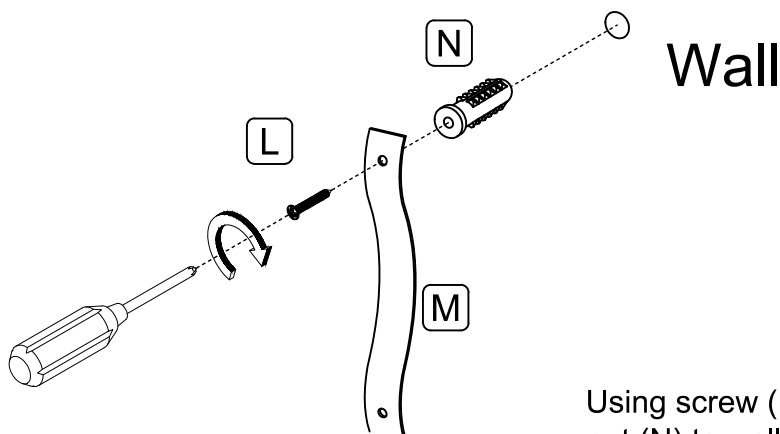
WARNING

L:  1 pcs

M:  1 pcs

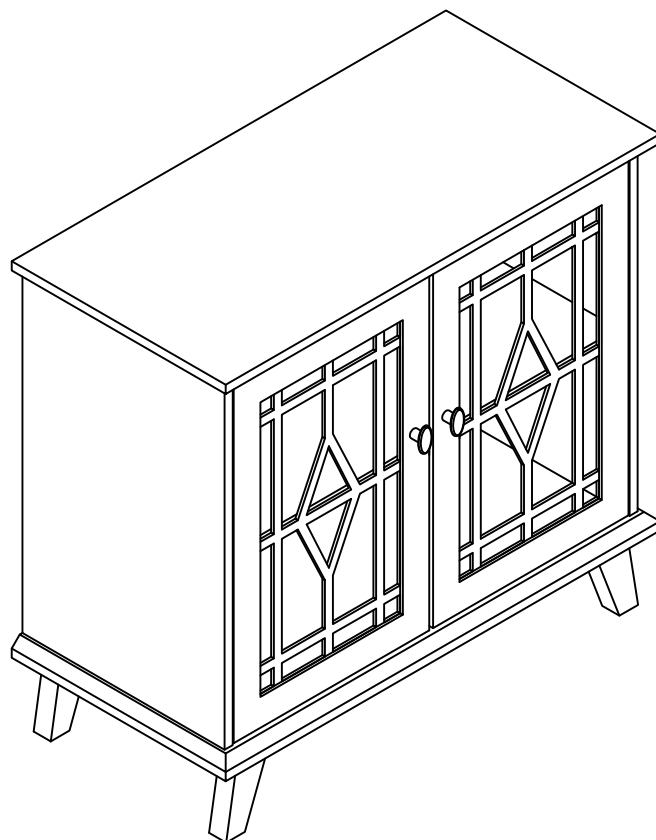
N:  1 pcs

Serious or fatal injuries can occur from furniture tipping over. To prevent the furniture from tipping over we recommend that it is permanently fixed to the wall. Wall anchor and hardware are included with this product. Please make sure hardware is suitable for your walls before installing, as different wall materials may require different types of anchors.



Using screw (L) attach strap (M) into nut (N) to wall with Philips head screwdriver as per diagram.

Step 13



Final Assembly