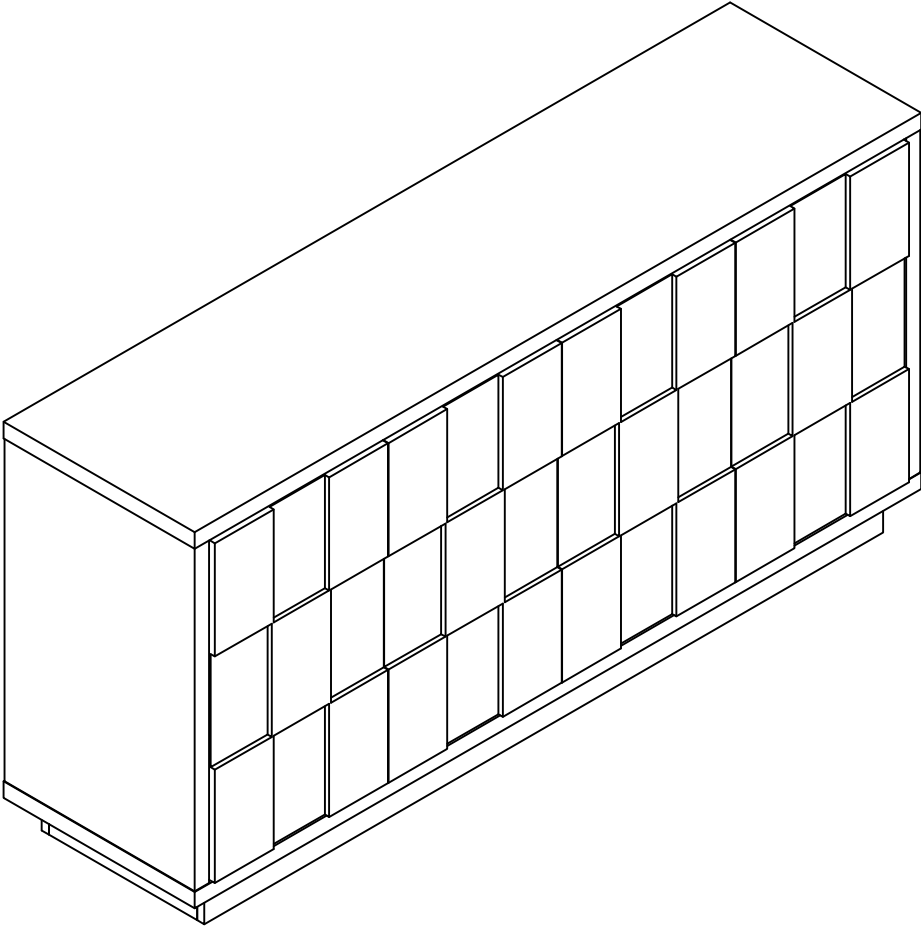


Sideboard

Assembly Instruction



INTRODUCTION

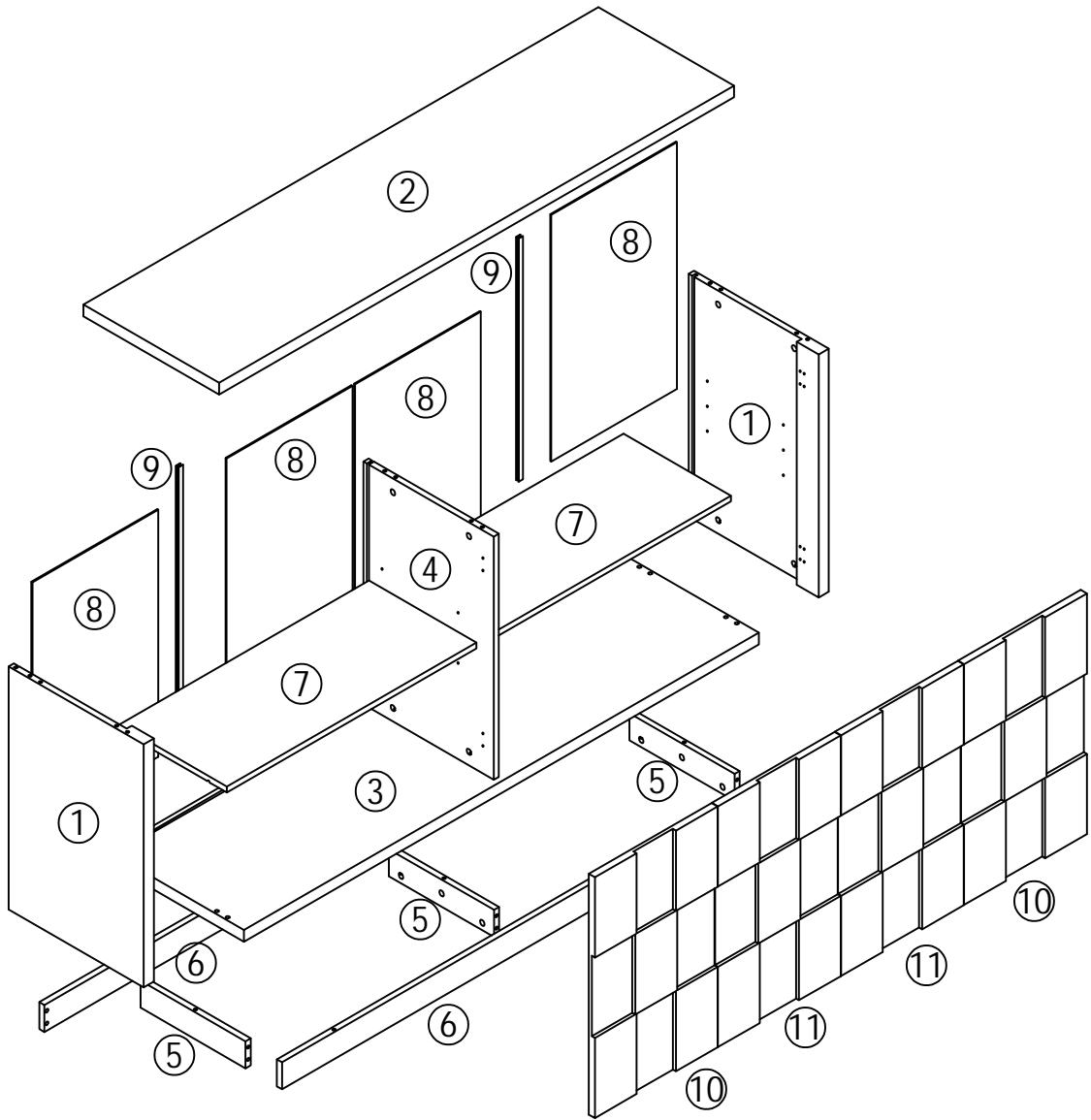
Thank you for purchasing our products. Please read the instructions carefully before installation and keep it in a safe place for future reference. If you need any assistance or support, please feel free to contact our customer support team.

PRECAUTIONS

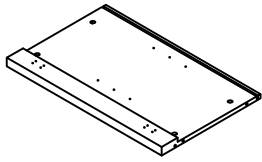
1. There are many components and accessories in the package. Each component and accessory is labeled with a letter or a number, check carefully before using any of them. Keep them away from children to prevent accidents.
2. Please install the product on a clean and soft underlay (such as carpet or cardboard) to avoid scratching or damaging the surface of the product.
3. The main components of the product is relatively heavy. Please pay attention to safety during installation.
4. The product is not stable during installation. Please do not move it randomly before it is completely installed.
5. If you have any questions during installation, please contact the customer service in time.

* PLEASE BE SURE TO FOLLOW THE INSTALLATION STEPS IN THE MANUAL TO AVOID UNNECESSARY LOSSES CAUSED BY IMPROPER INSTALLATION.

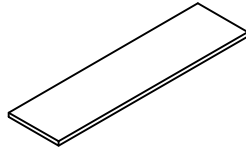
* IF YOU NEED FURTHER ASSISTANCE, PLEASE CONTACT THE CUSTOMER SERVICE ONLINE.



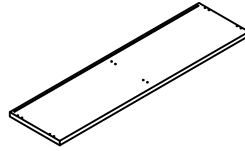
Parts List



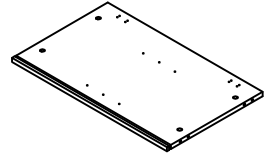
① 2pcs



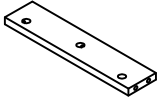
② 1pc



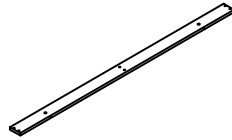
③ 1pc



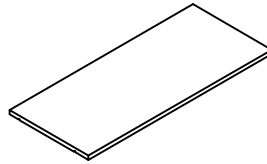
④ 1pc



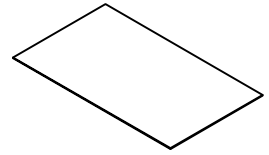
⑤ 3pcs



⑥ 2pcs



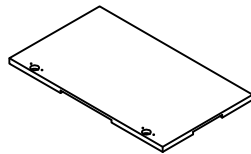
⑦ 2pcs



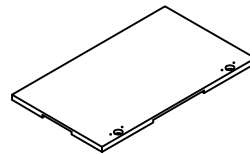
⑧ 4pcs



⑨ 2pcs

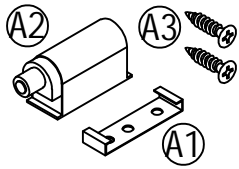


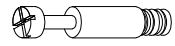
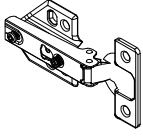
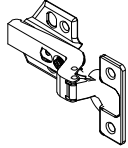
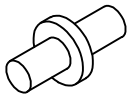
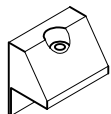
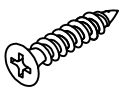
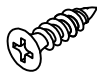
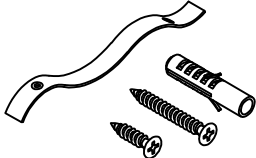


⑩ 2pcs

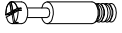


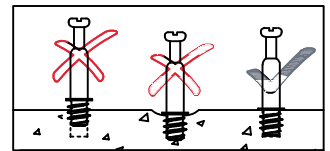
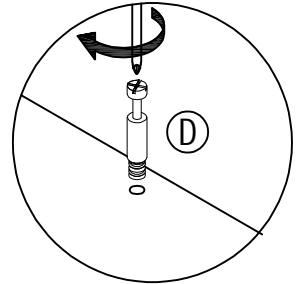
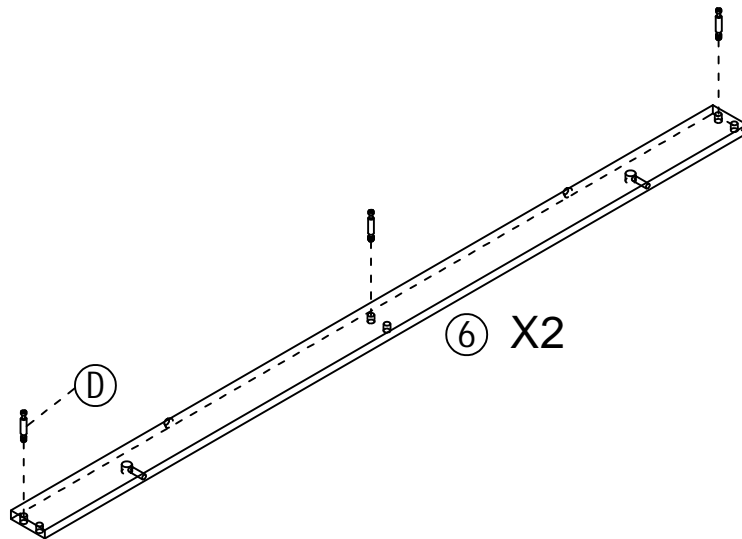
⑪ 2pcs

Hardware List

Ⓐ	X4	Ⓑ	X18	Ⓒ	X25	Ⓓ	X25
							
Ø3x12mm		Ø8x30mm					
Ⓔ	X4	Ⓕ	X4	Ⓖ	X8	Ⓗ	X12
							
				Ø5x16mm			
Ⓘ	X12	Ⓙ	X52	Ⓚ	X2		
							
Ø3x20mm		Ø3.5x14mm					

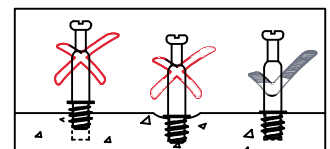
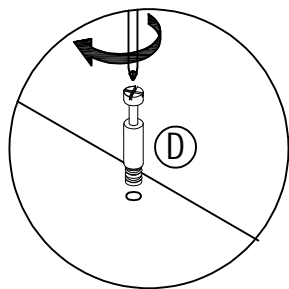
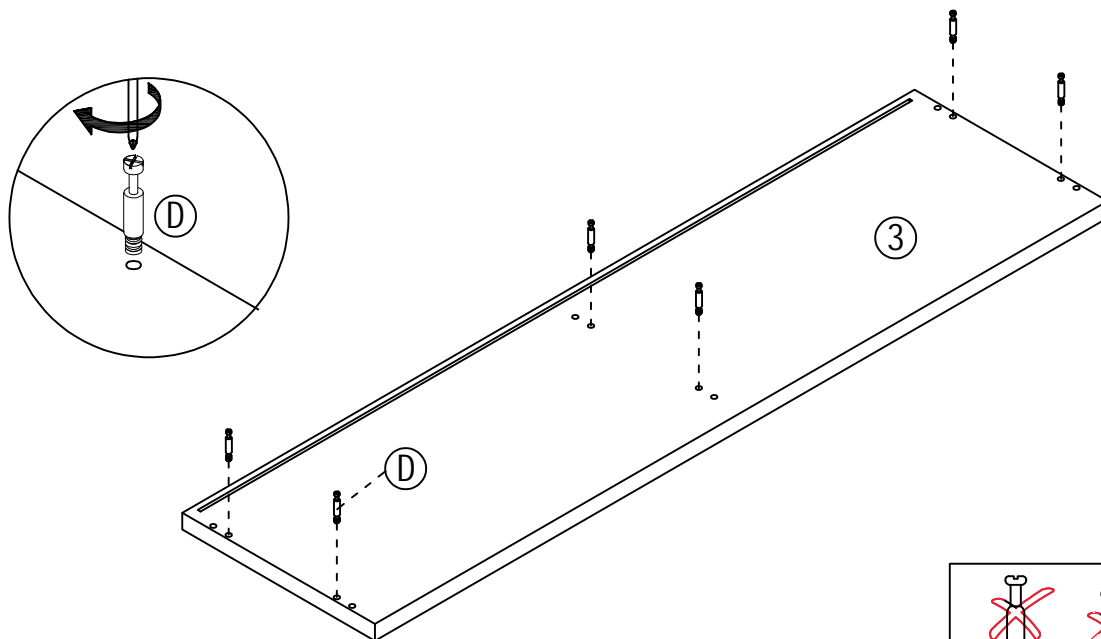
STEP1

 D X6



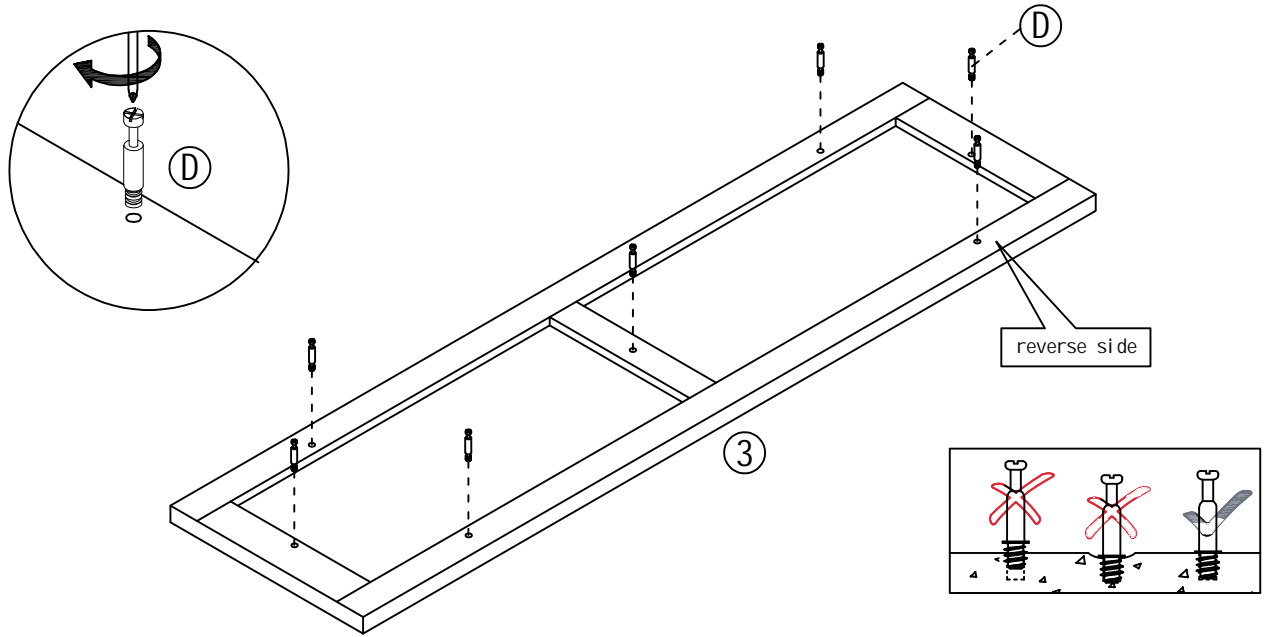
STEP2

 D X6



STEP3

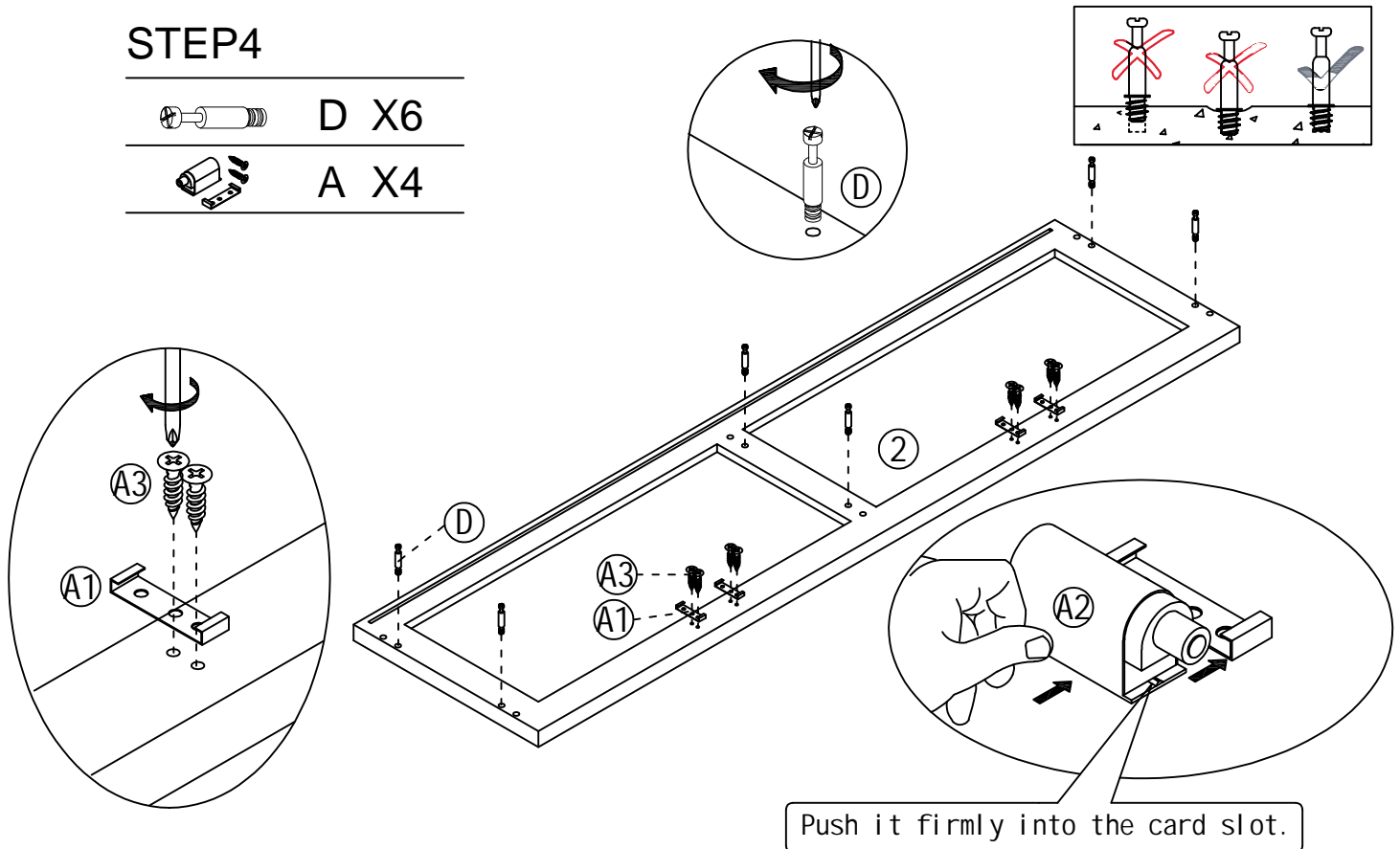
 D X7



STEP4

 D X6

 A X4



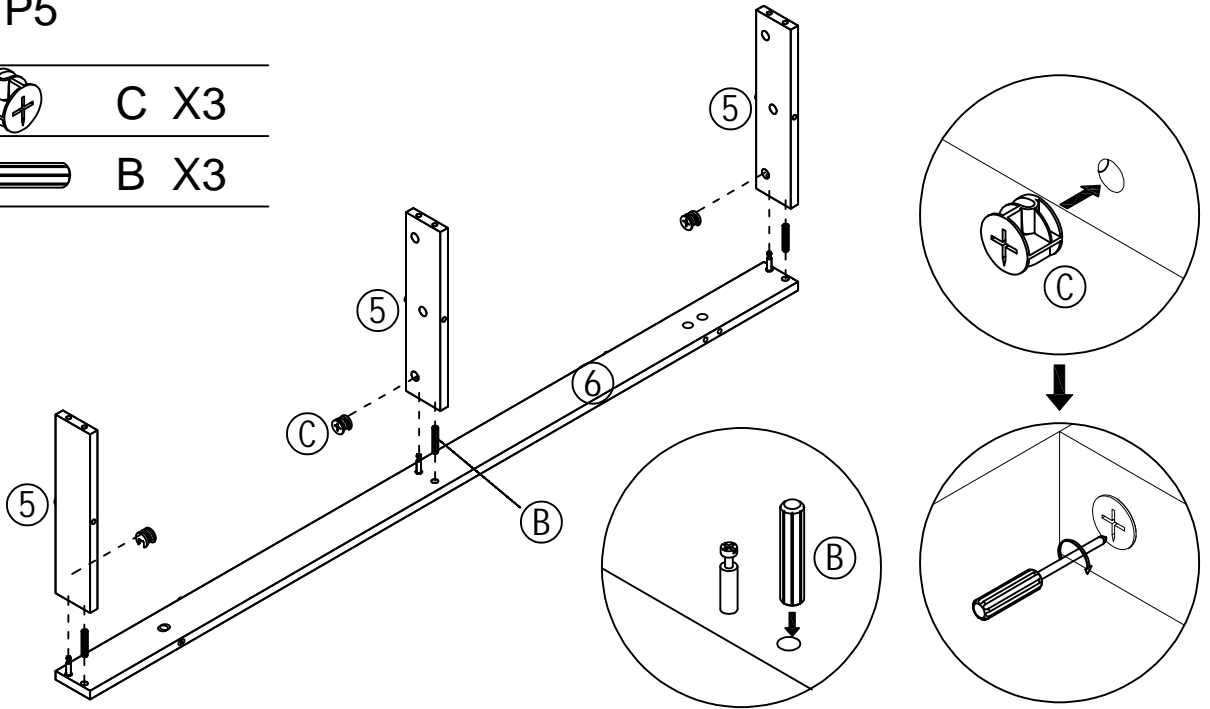
Push it firmly into the card slot.

STEP5

C X3



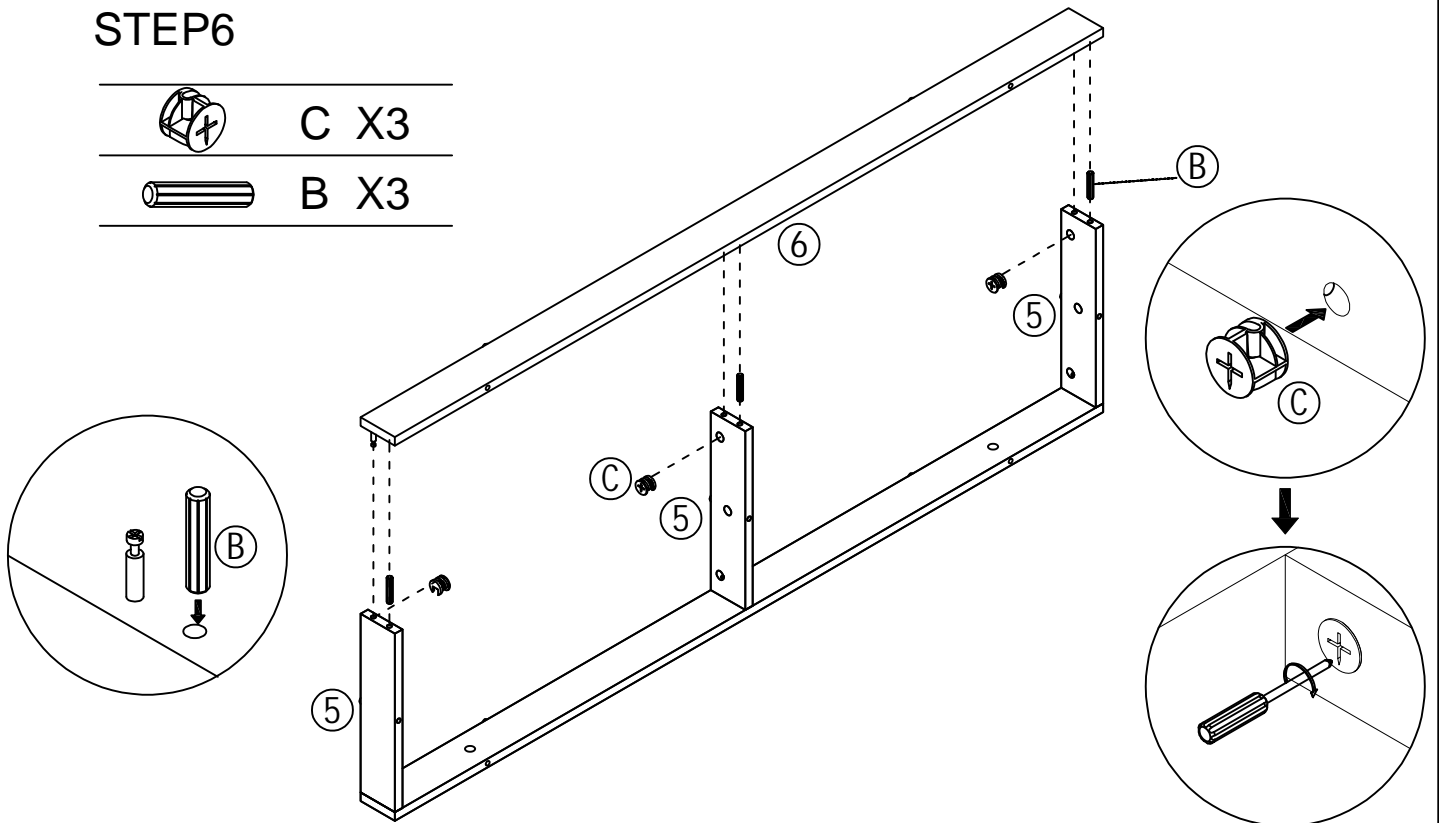
B X3

**STEP6**

C X3



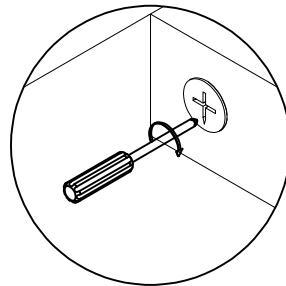
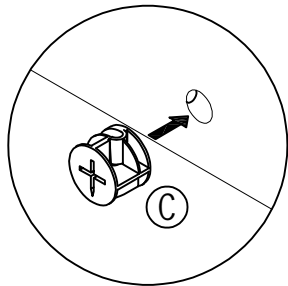
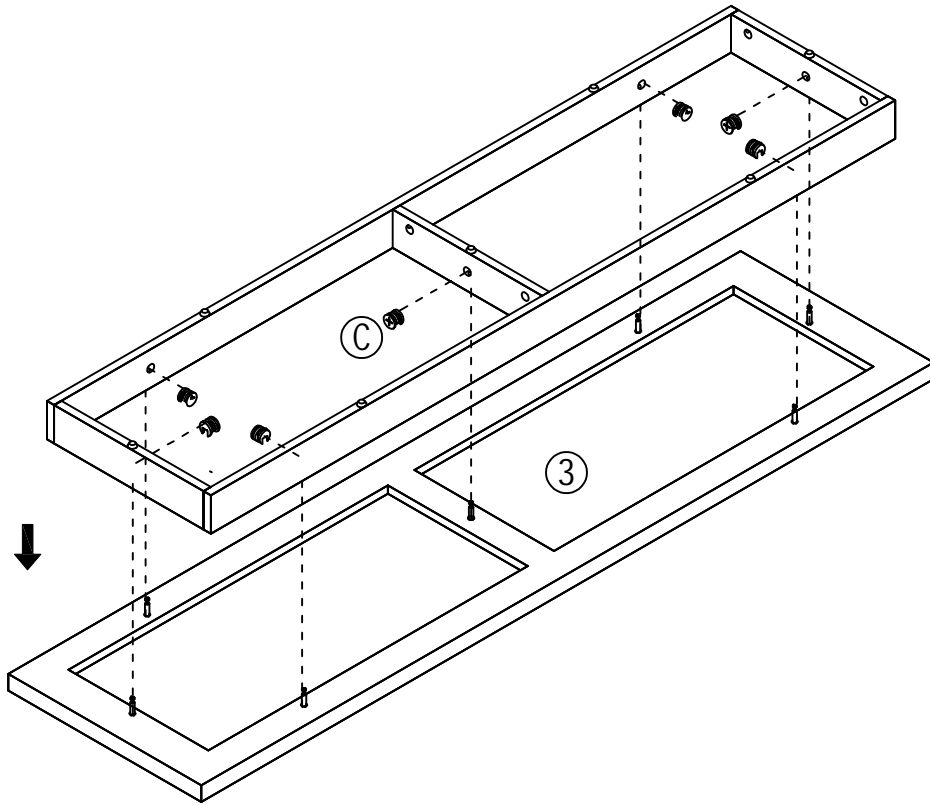
B X3



STEP 7



C X7

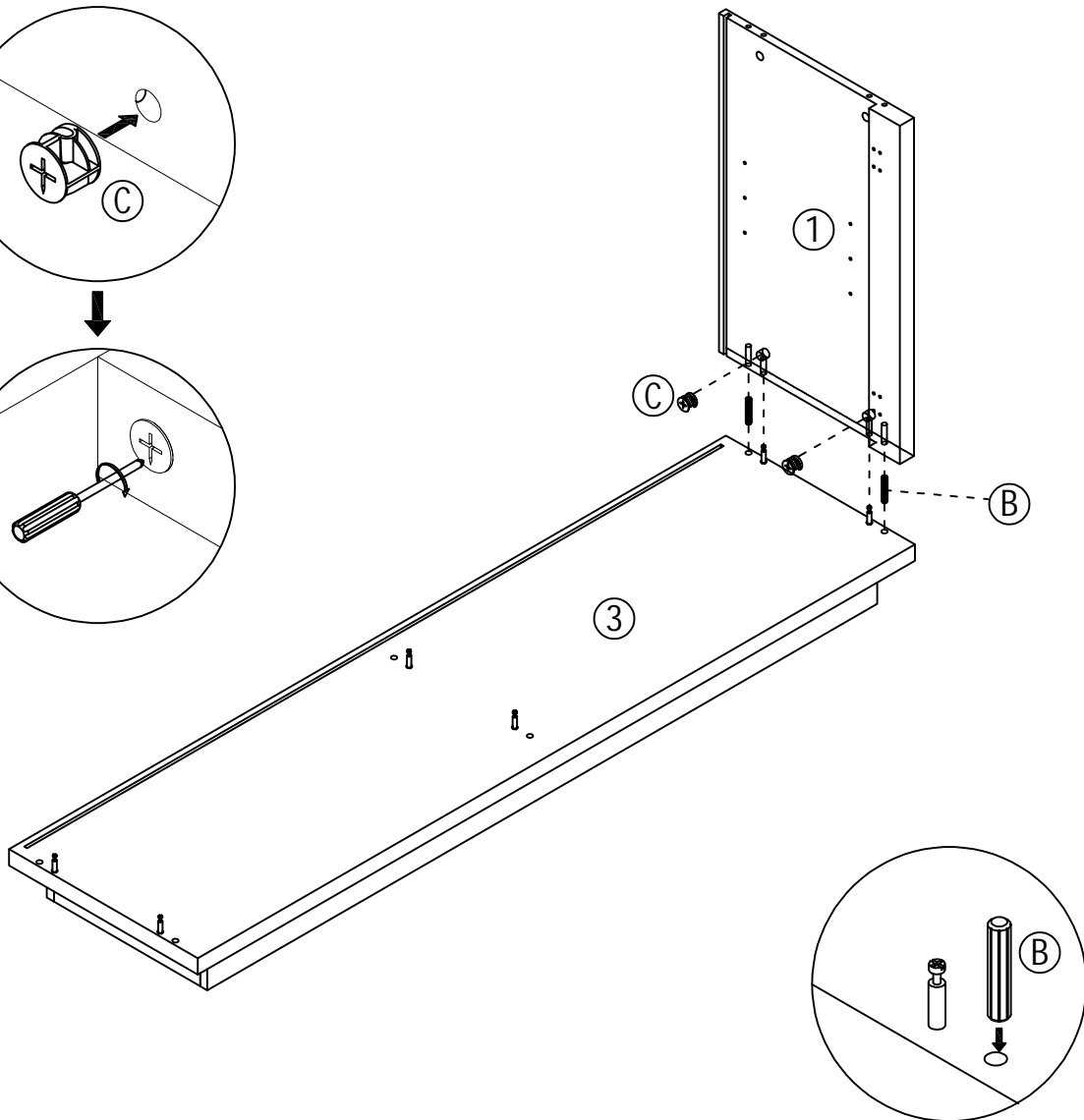
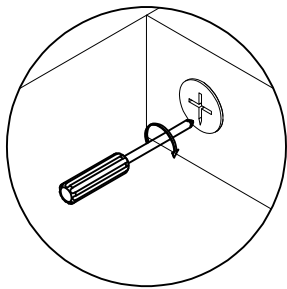
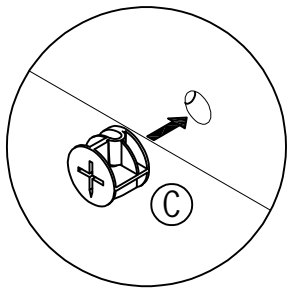


STEP8

C X2



B X2

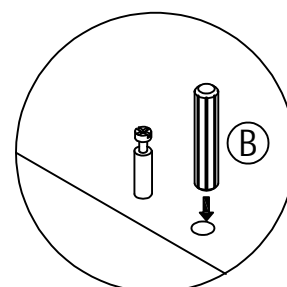
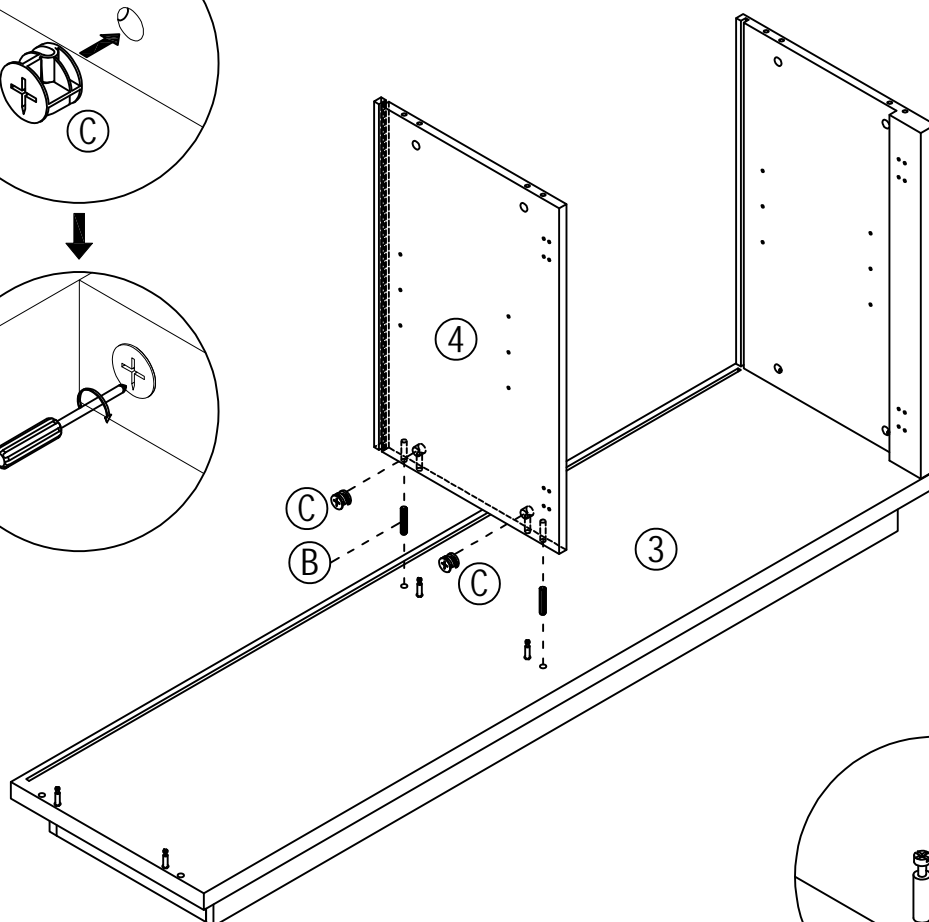
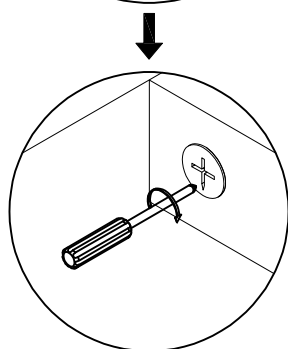
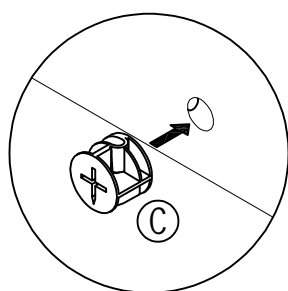


STEP 9

C X2



B X2



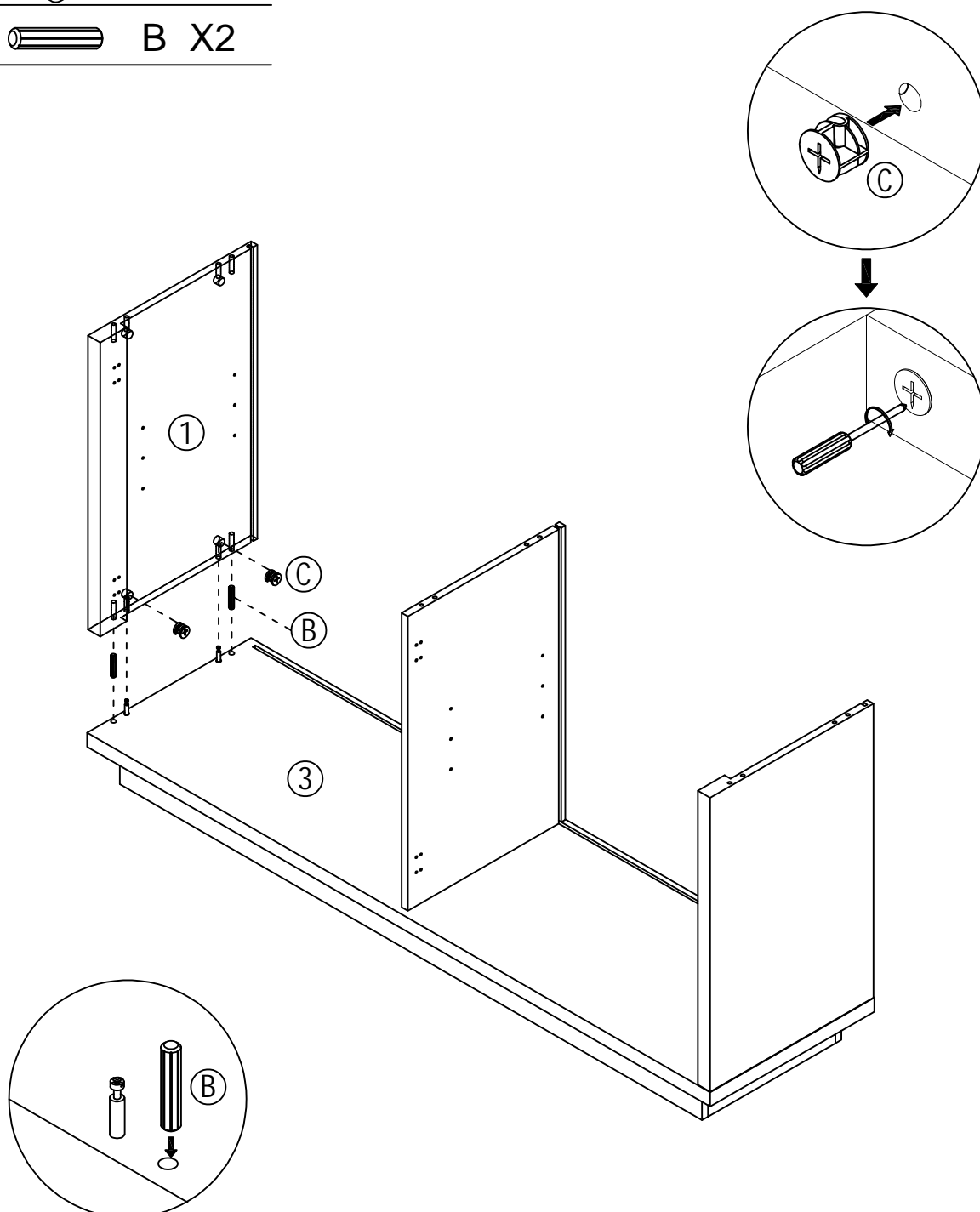
STEP 10

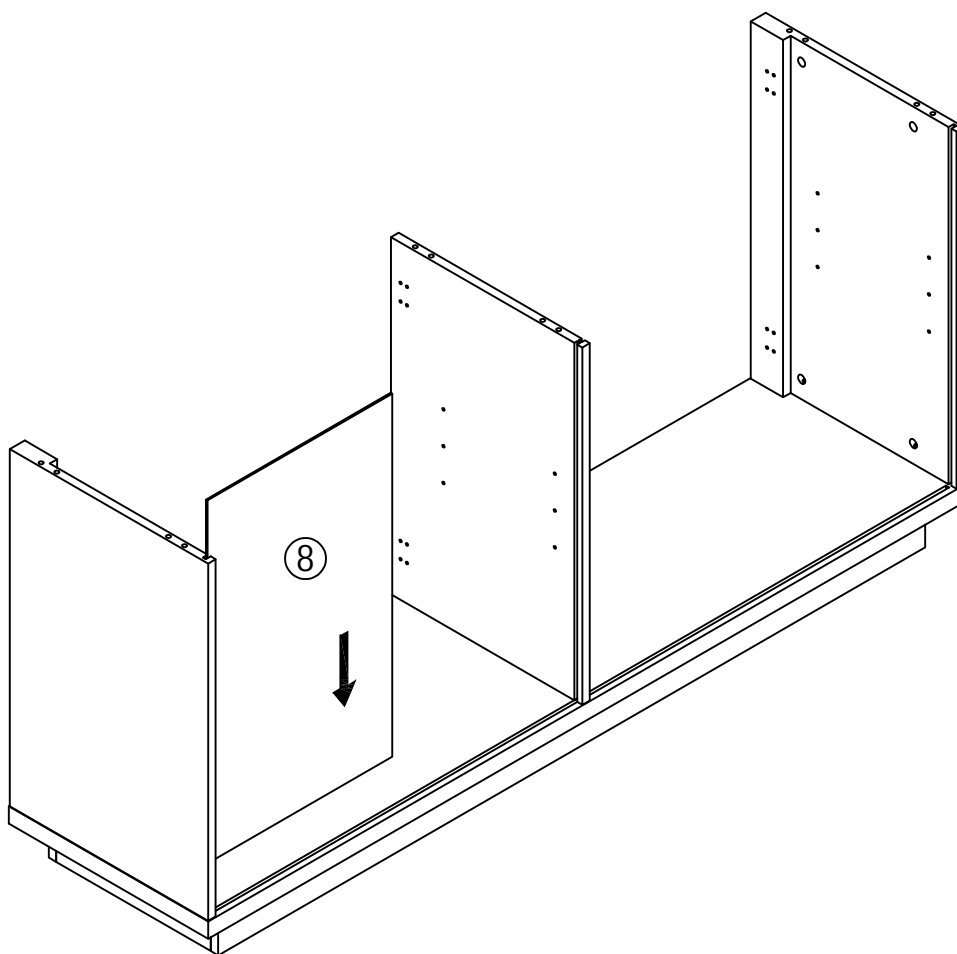


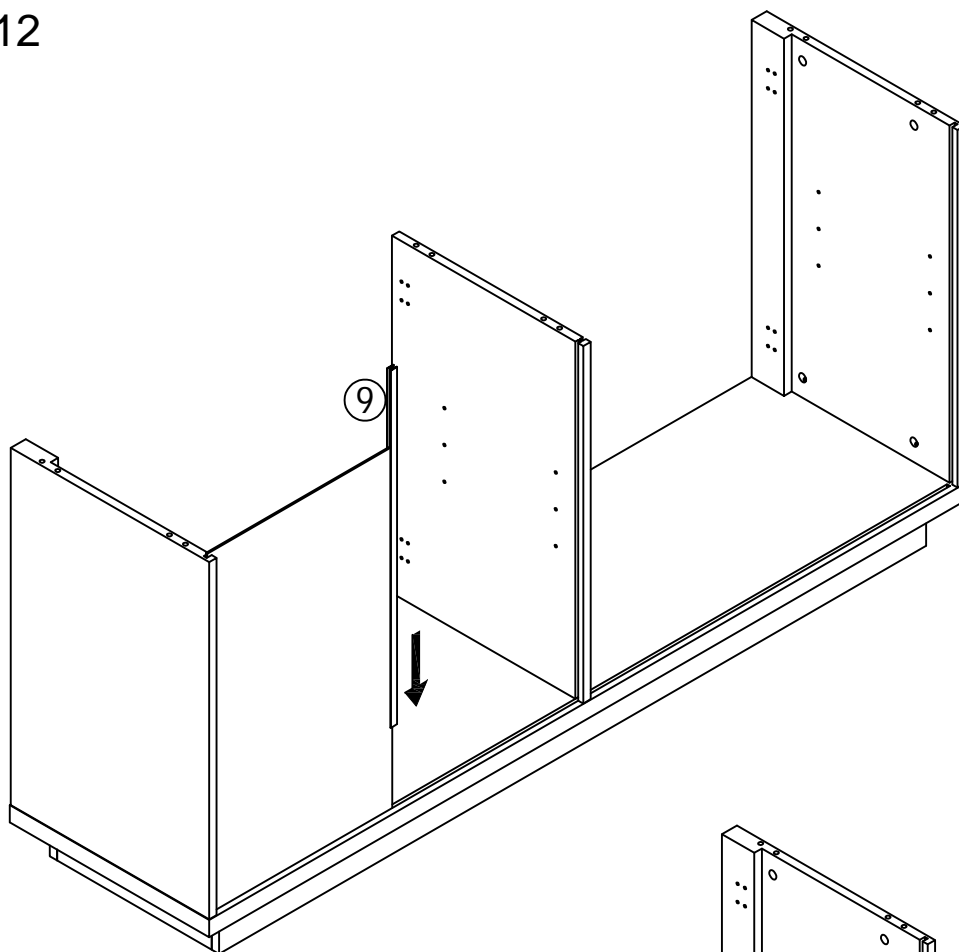
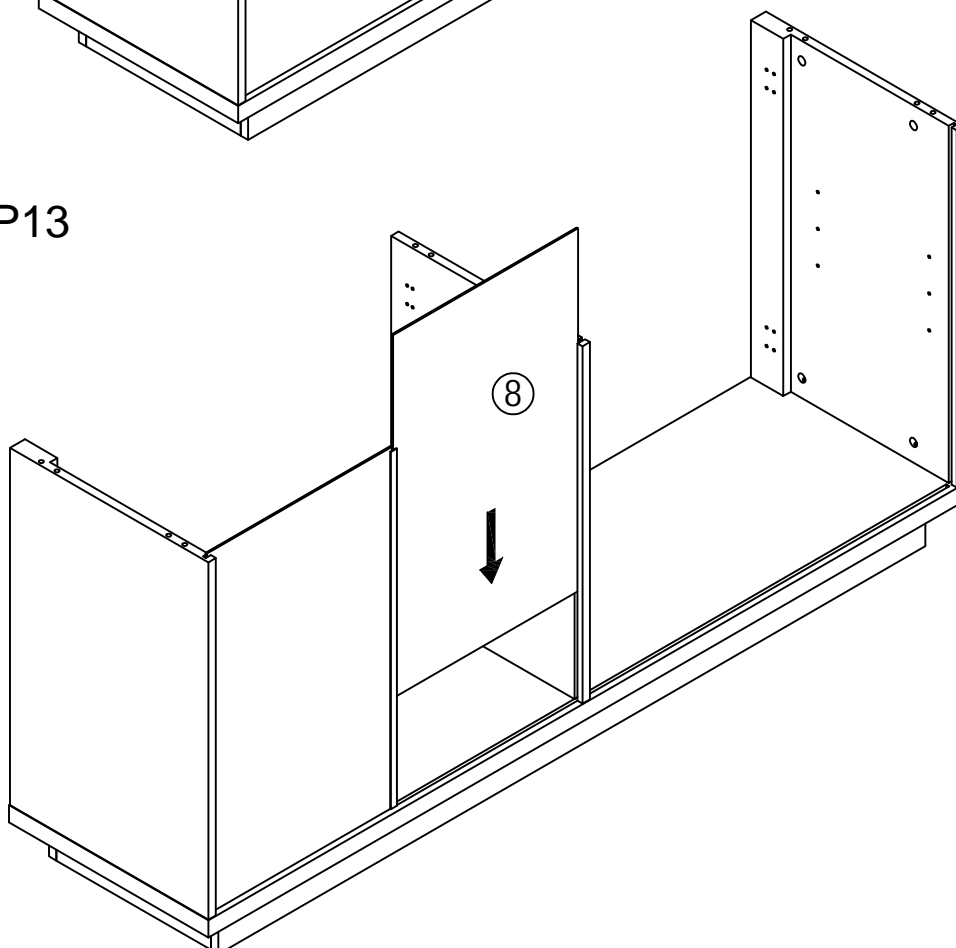
C X2

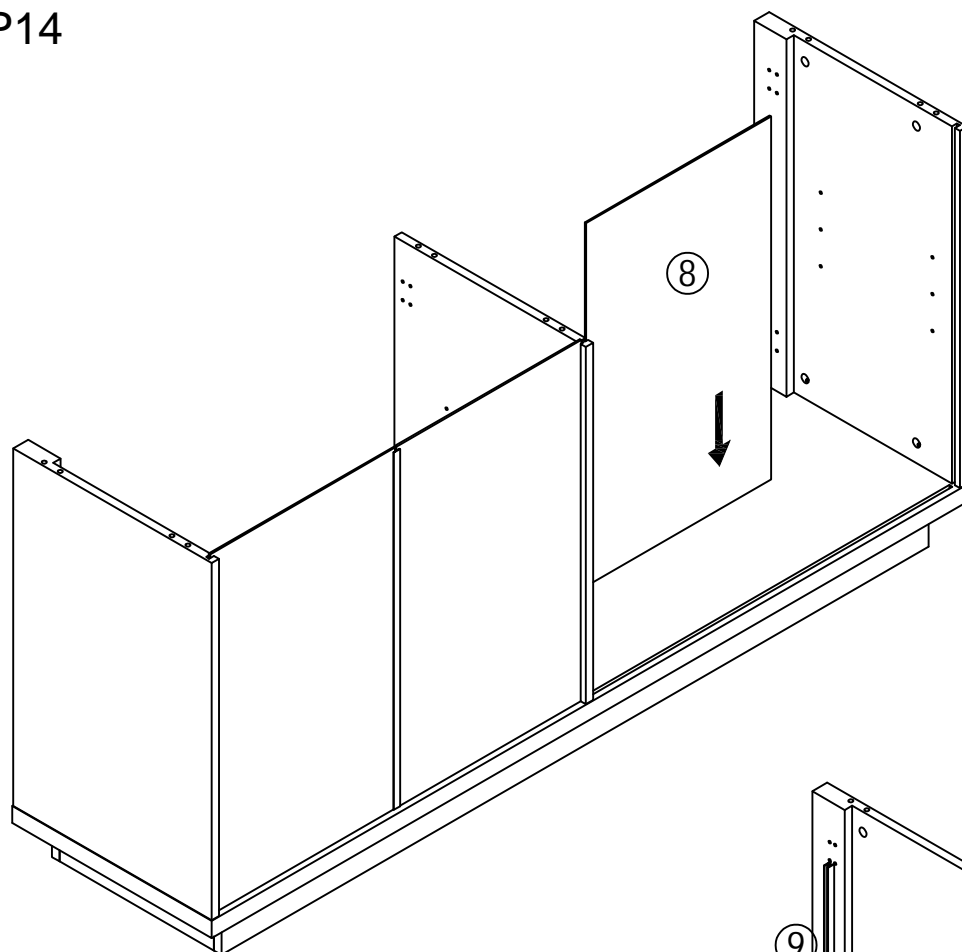
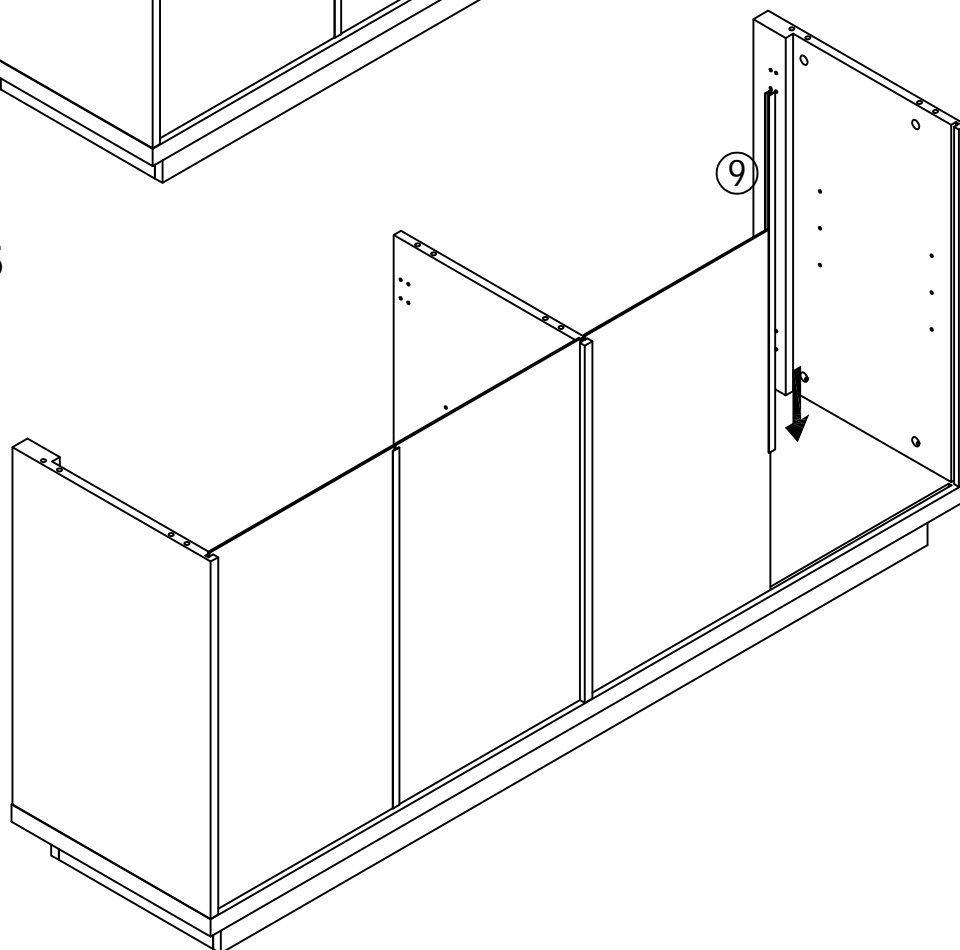


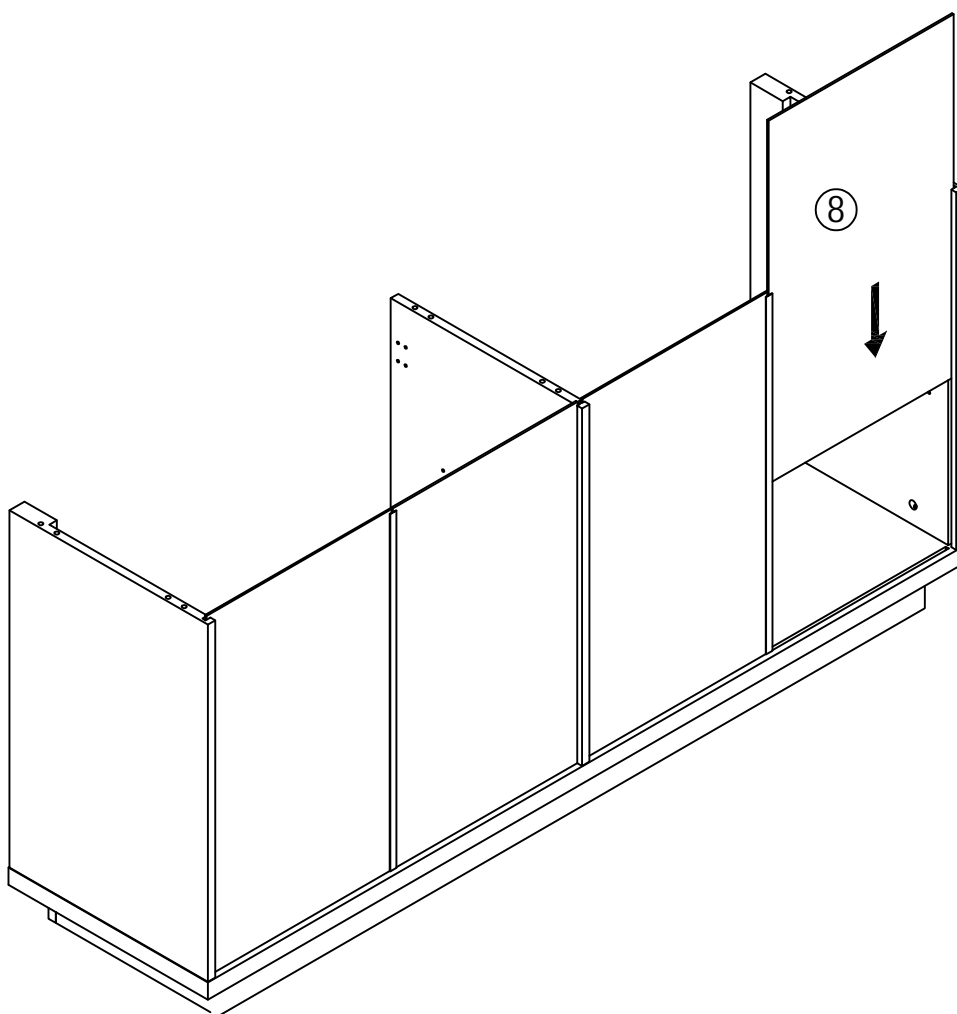
B X2


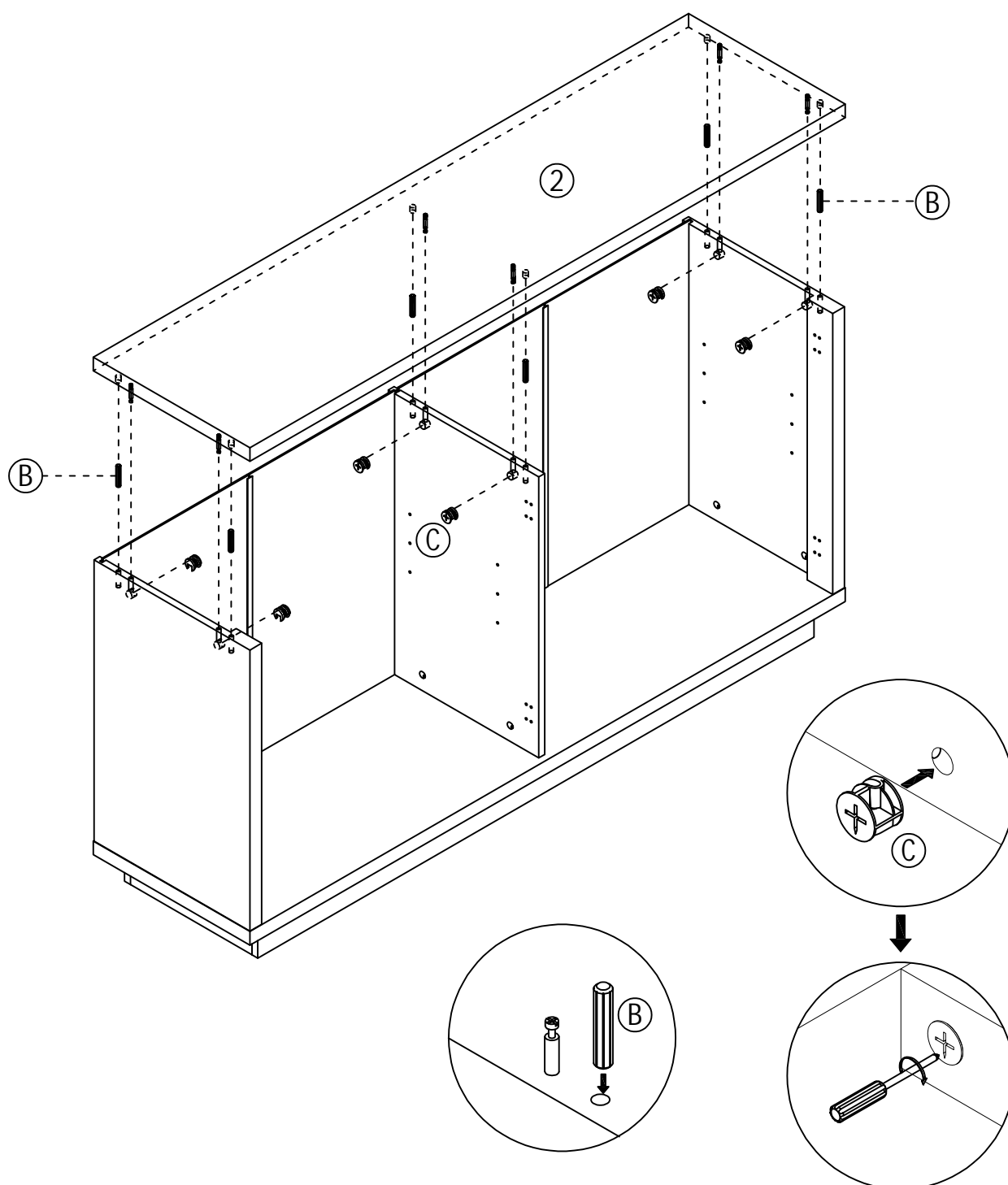


STEP 11

STEP12**STEP13**

STEP14**STEP15**

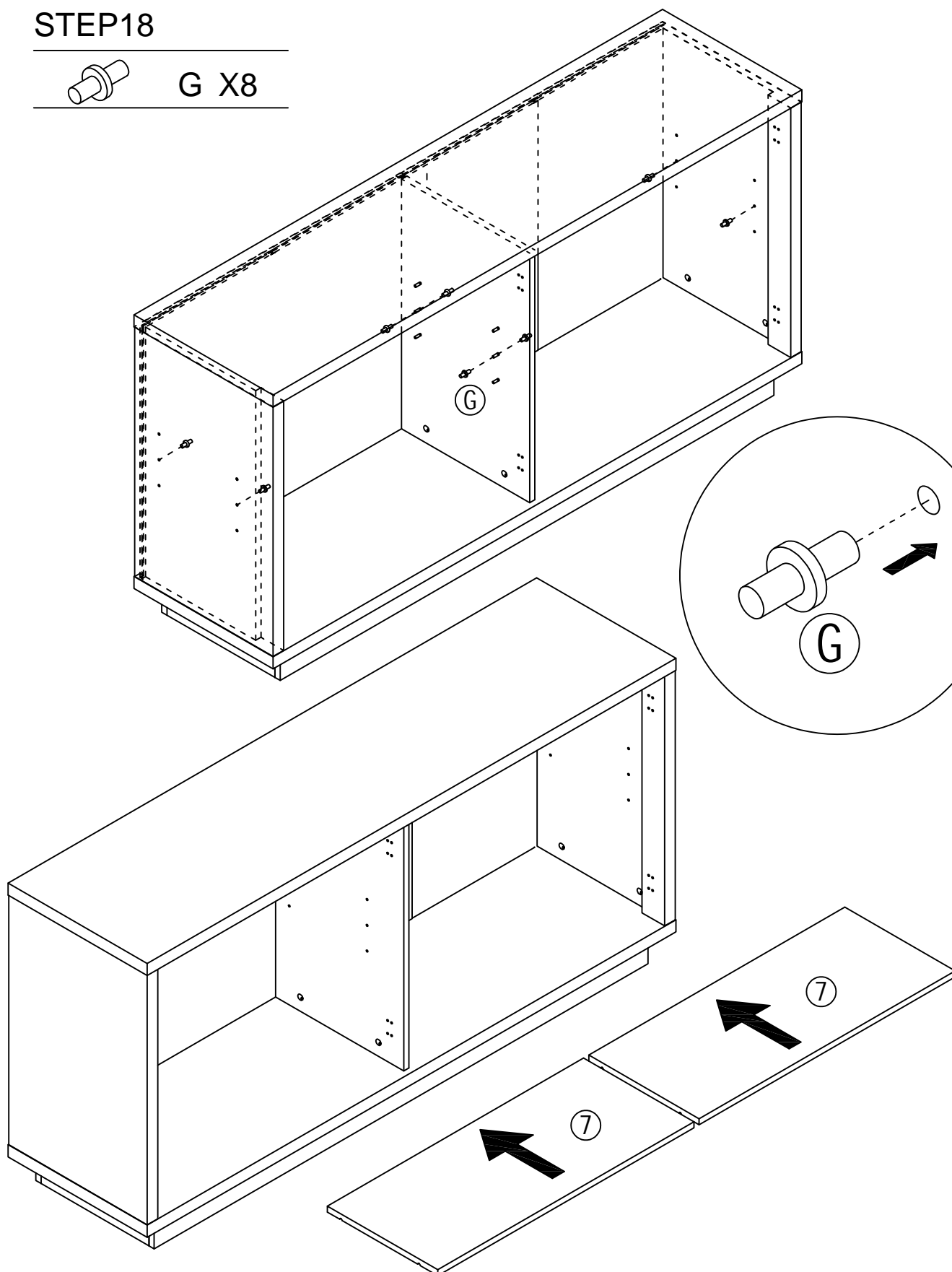
STEP 16

STEP 17 C X6 B X6

STEP 18



G X8

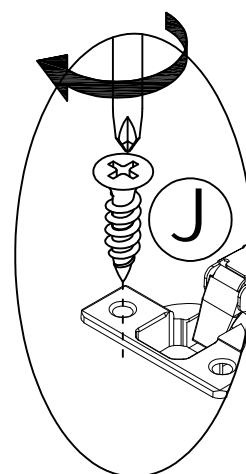
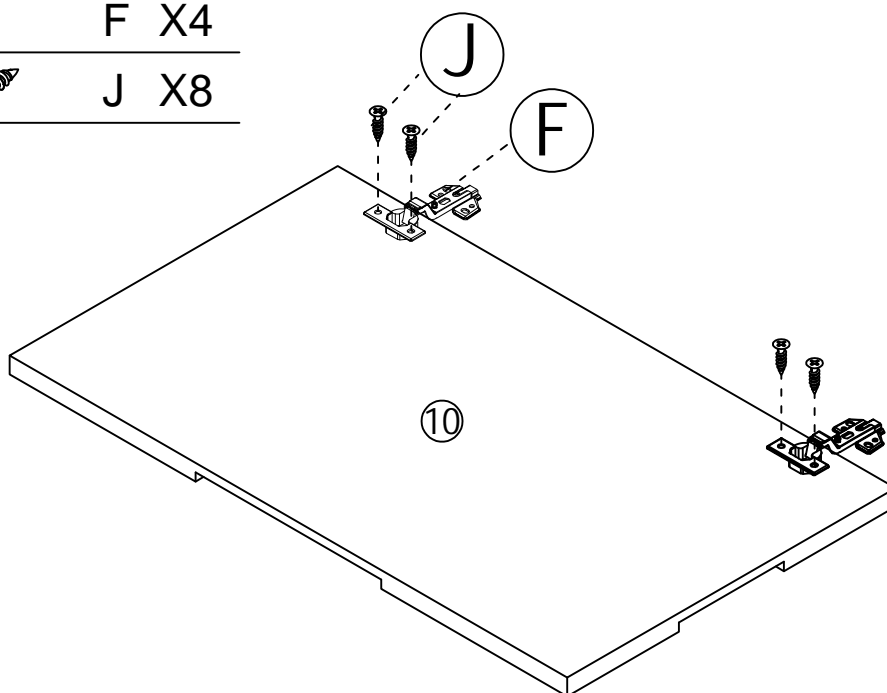


STEP19

F X4



J X8



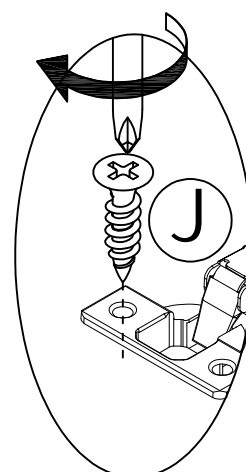
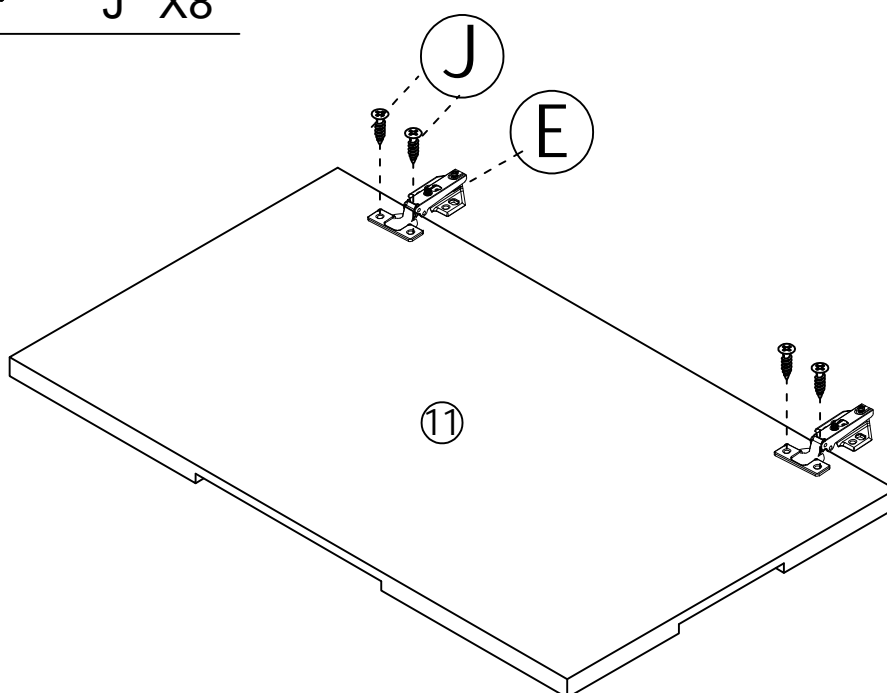
X2

STEP20

E X4



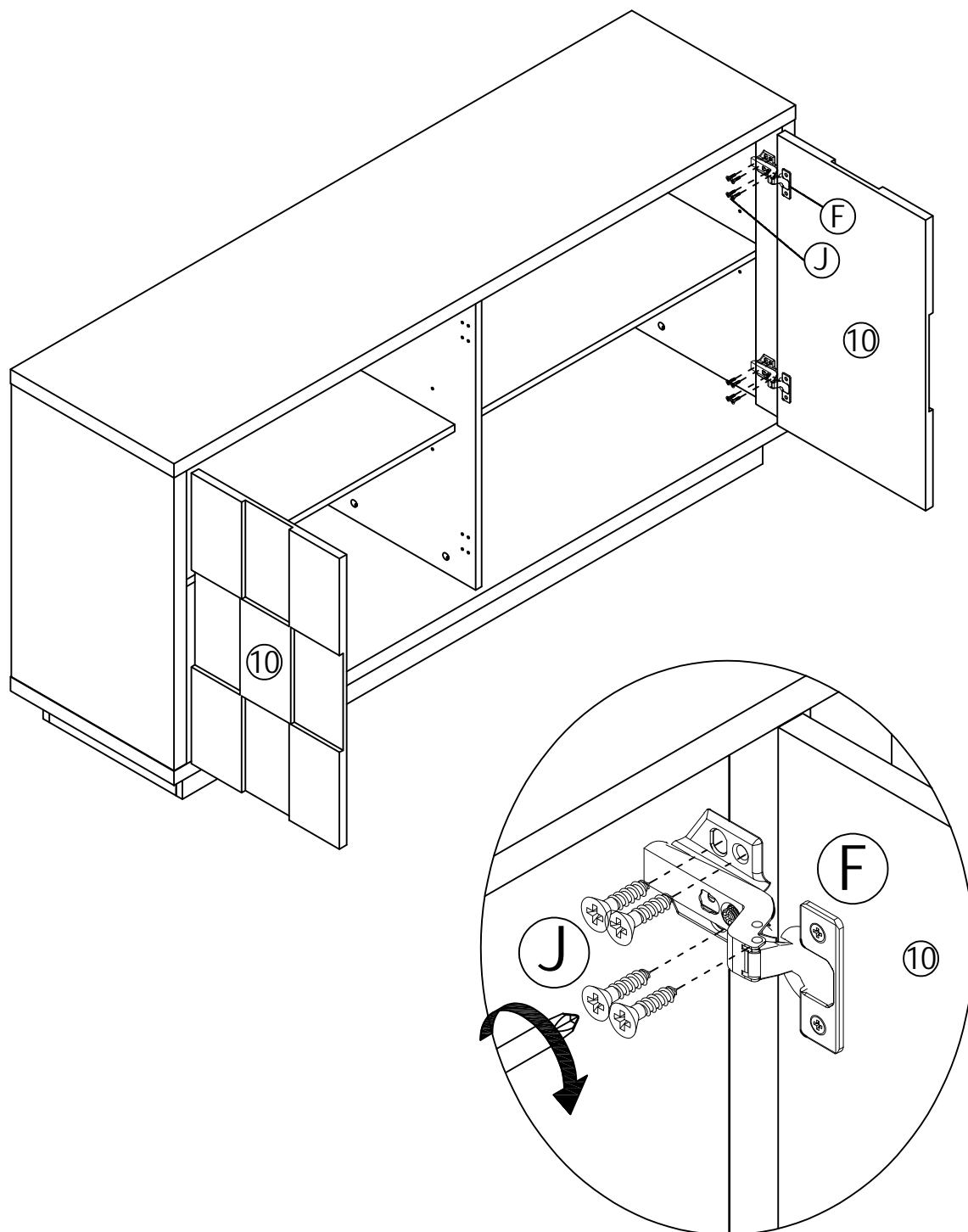
J X8



X2

STEP21

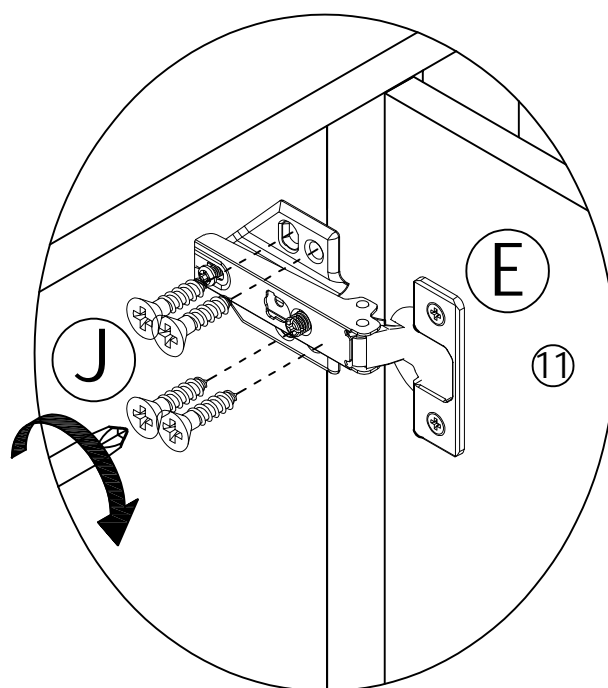
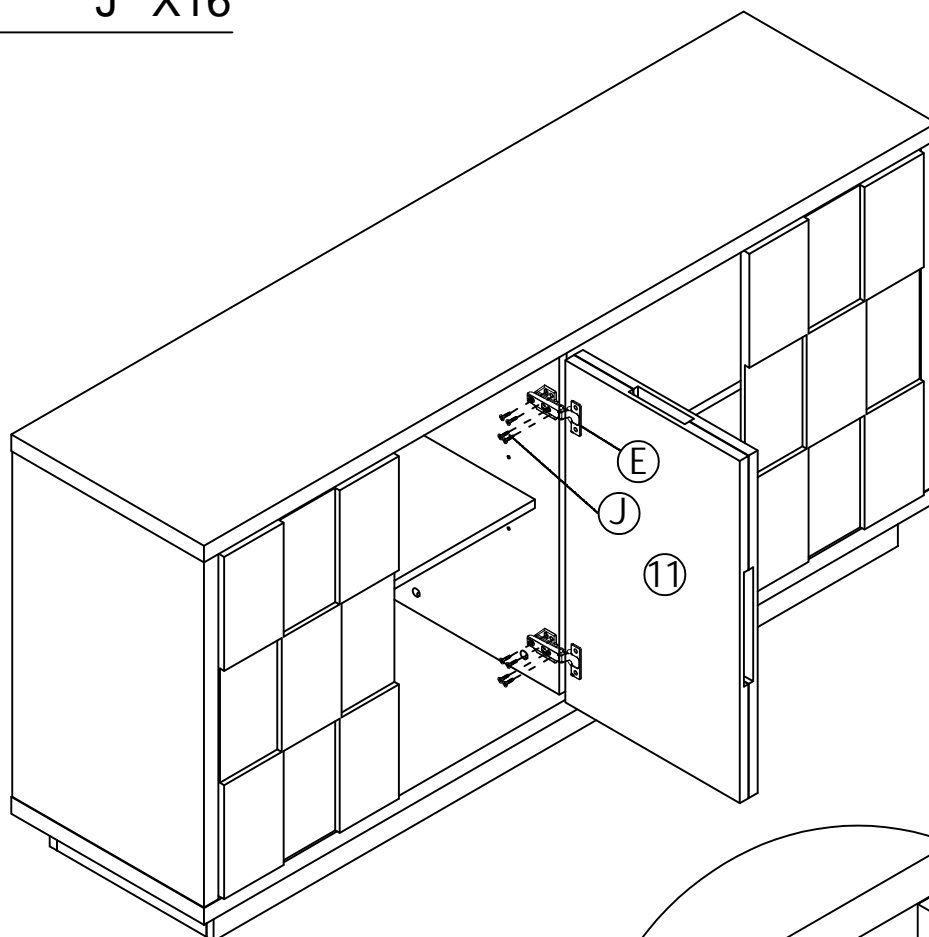
**J X16**



See the next page for door hinge adjustment methods

STEP22

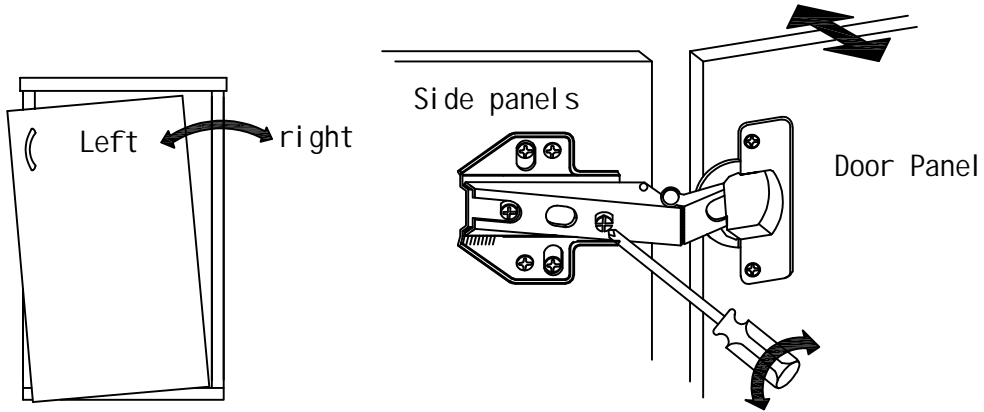
**J X16**



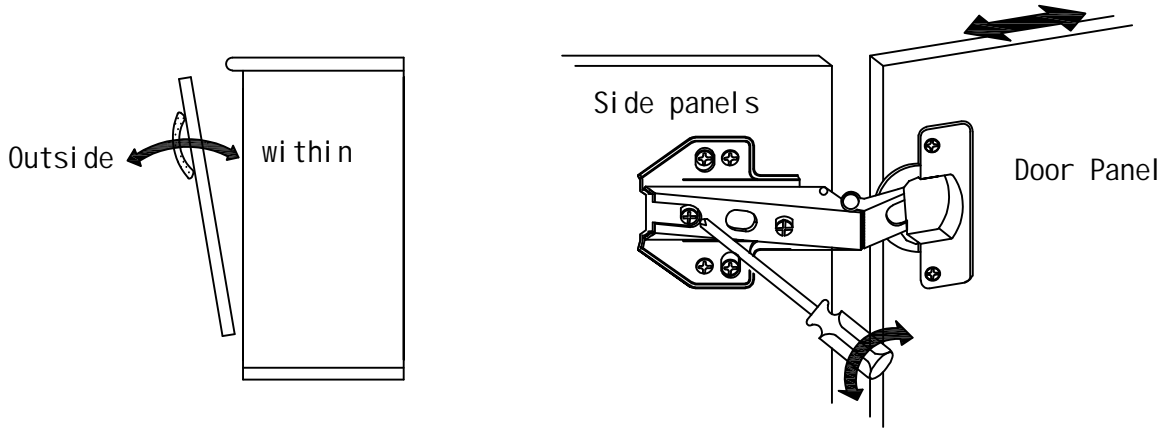
See the next page for door hinge adjustment methods

Door hinge adjustment method

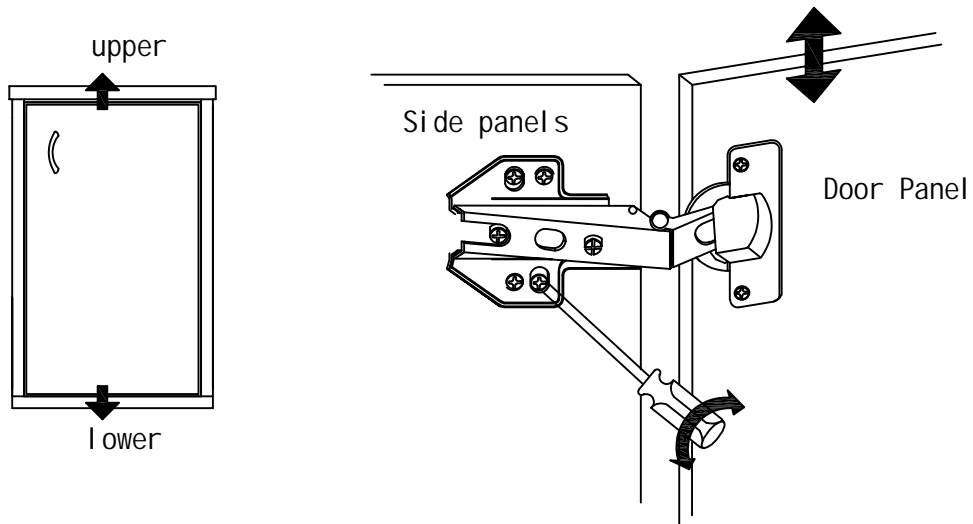
Method 1:

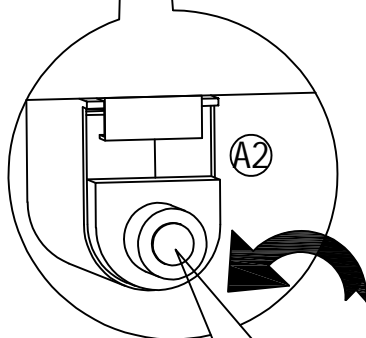
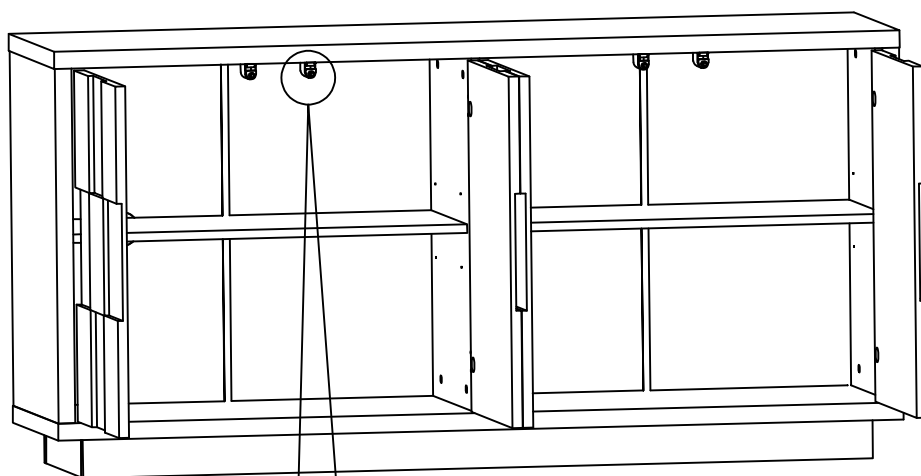


Method 2:





Method 3:

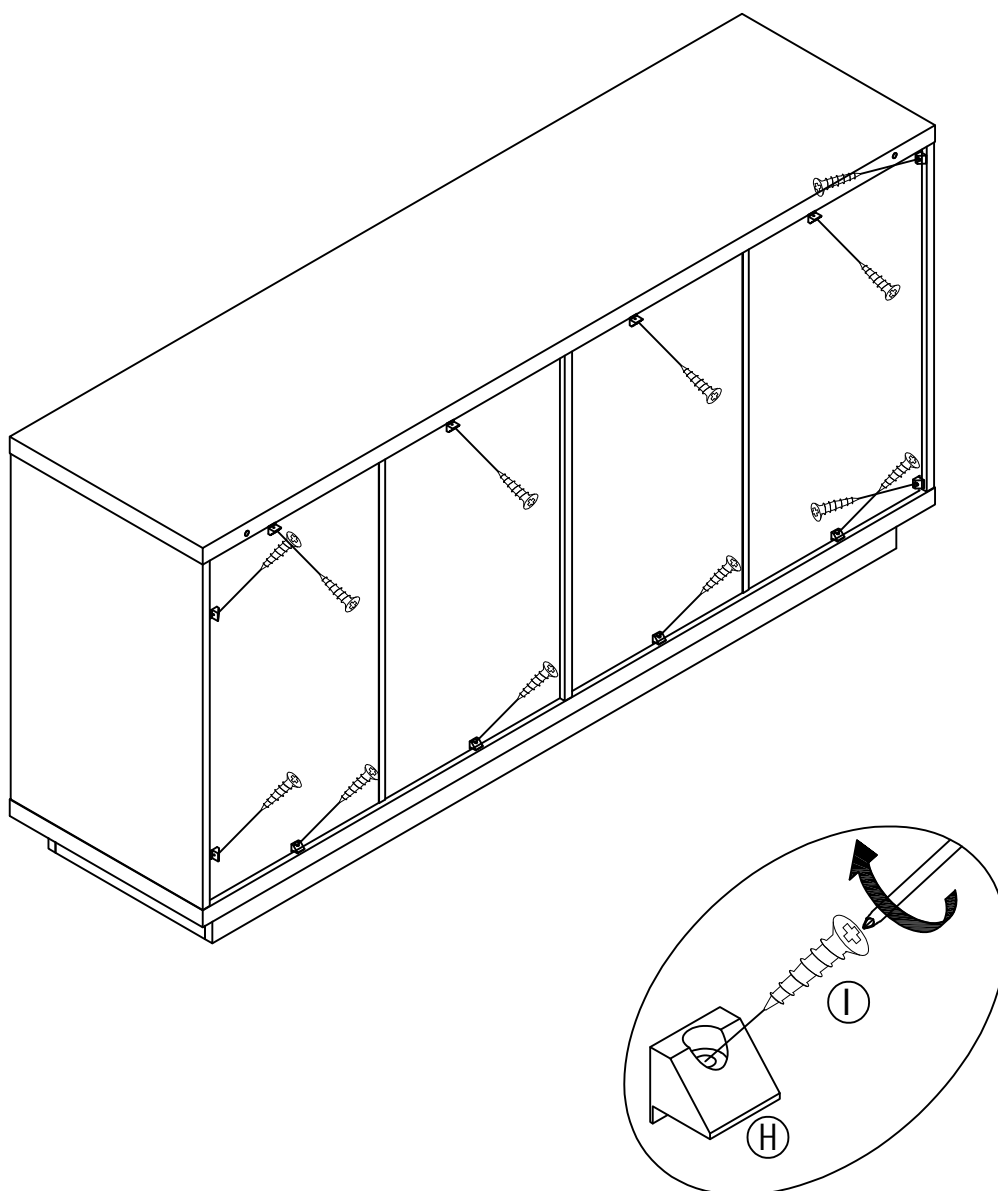




If the door panel is recessed, rotate the A2 component counterclockwise to adjust it to the appropriate position.

STEP23

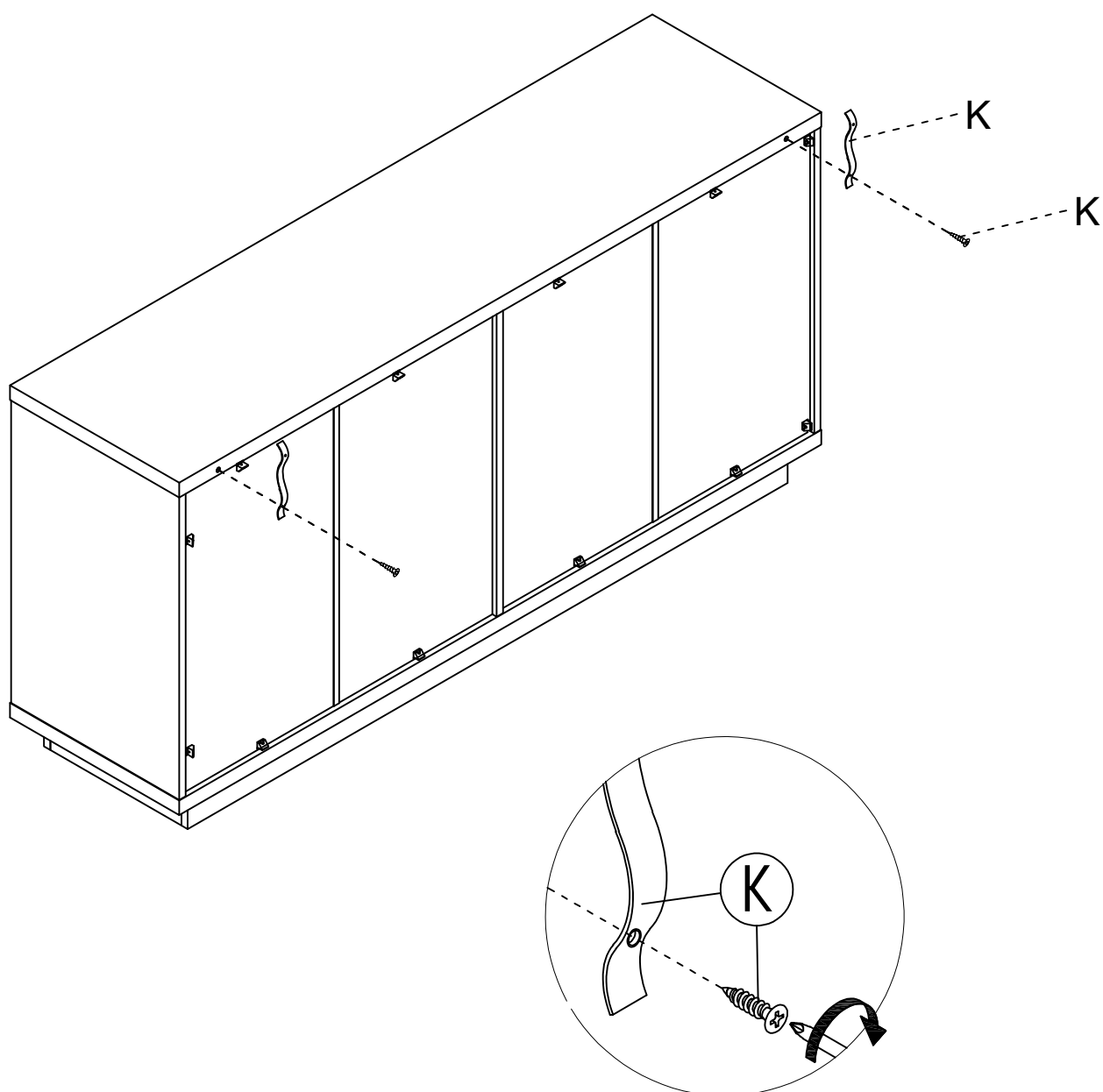
	H X12
	I X12



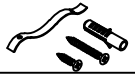
STEP24



K X2



STEP25



K X2

