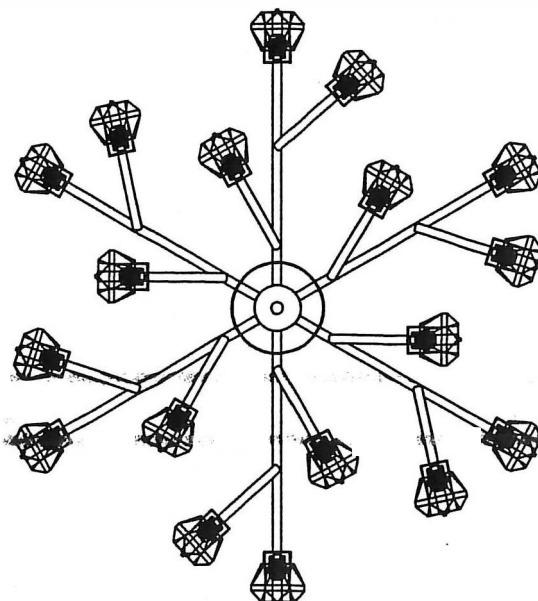
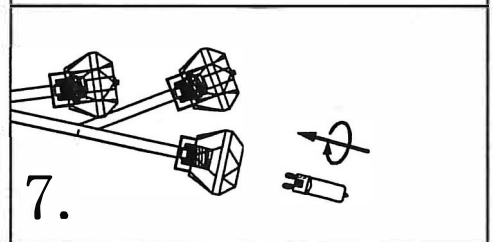
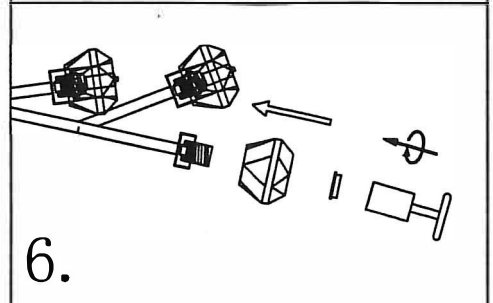
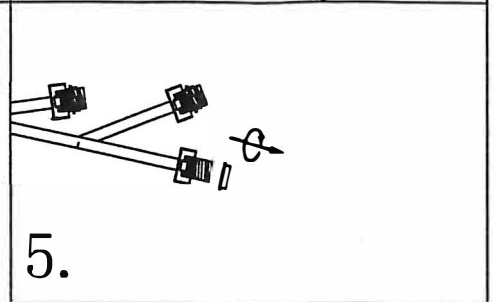
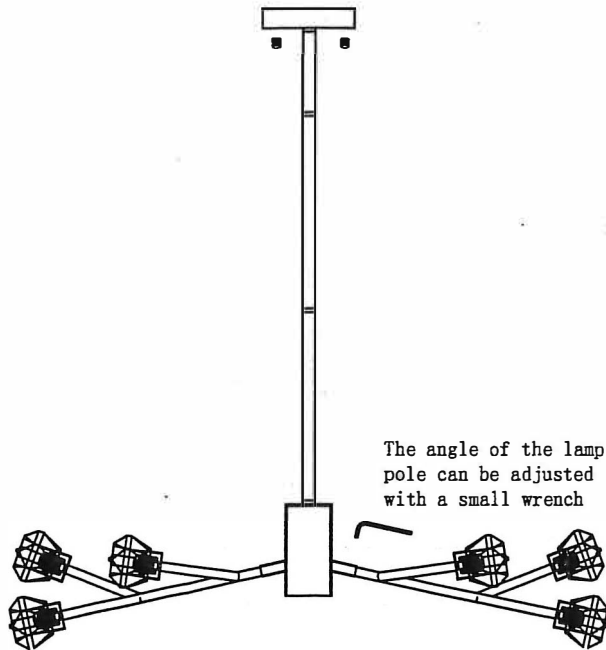
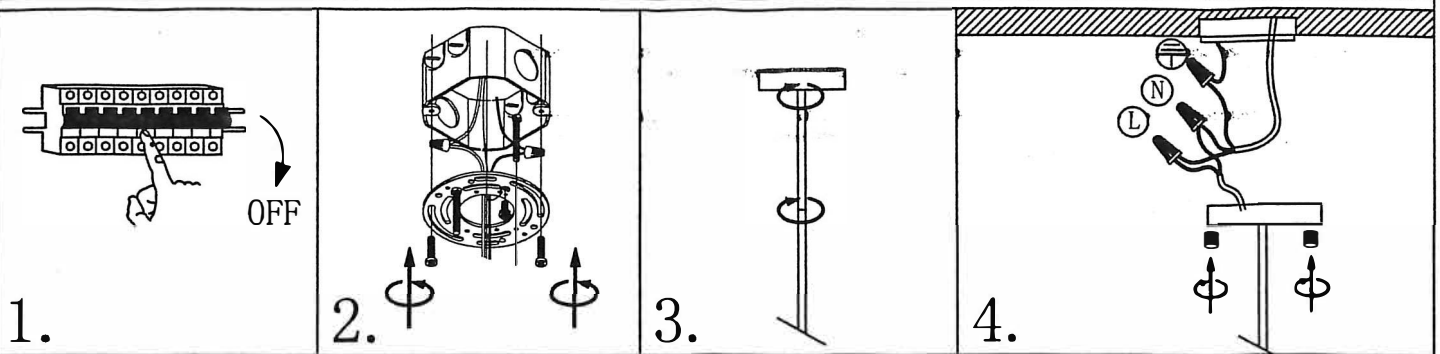


# Installing Instructions



## NOTE:

1: This lighting only can be used in a room.

2: Do not turn the switch on before assembly.

3: If you want to change a bulb, please turn the switch off, and after the bulb is cold.

Voltage: 110V

Bulb: G9